

C SERIES - PROTECTED PLATE

OVERVIEW

The ORIFLO OFCC450 is classed as a protected orifice plate - flow control chamber. Designed to support SuDS management and the sewer infrastructure, as part of a designed attenuation system, helping prevent flooding by controlling the flow into the main sewer.

APPLICATION

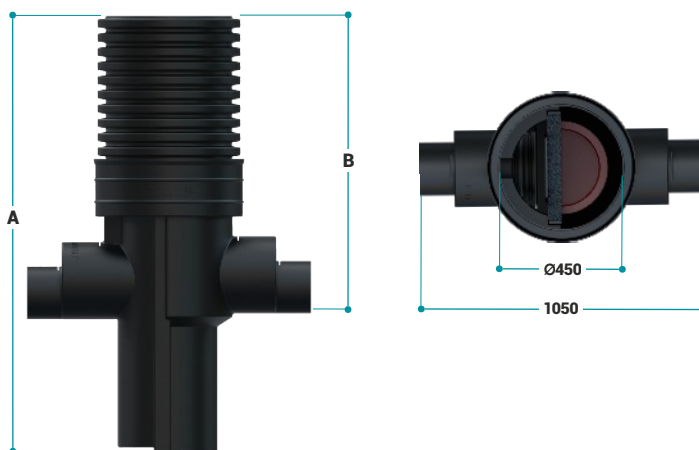
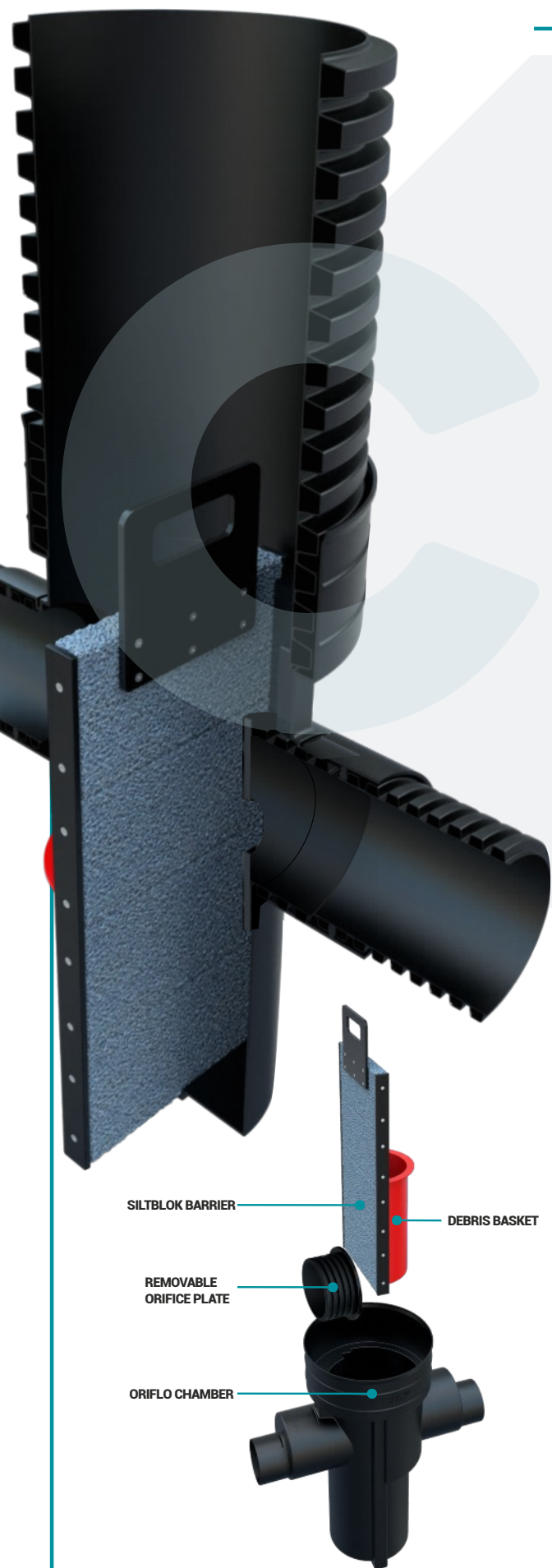
Designed to be installed downstream of larger attenuation systems, i.e. tank and oversized pipe systems, forming the final part of the SuDS chain.

DESCRIPTION

Single piece - factory built units, delivered to site ready to install. Integrally, all of our OFCC models are fitted with our unique SILTBLOK barrier, this barrier protects the orifice plate from any potential blockages from silt or debris, as well as protecting the downstream watercourse. The SILTBLOK barrier has a debris basket attached to the inlet side, which collects any silt and debris. The barrier with basket attachment can be simply removed for emptying and maintenance. This model comes with a choice of two inlet pipe diameters - either 150mm or 225mm twinwall, however other pipework can be accommodated using adaptors - 110/160mm EN 1401 and 150mm/225mm UltraRib, Quantum or Polysewer .

COMPLIANCE

- Design & Construction Guidance - April 2020. Section C7.12 - Flow Control Device
- Building Regulations - Part H1
- New DCG (Design and Construction Guidance) states; In Adoptable applications, this type of flow control device, is designed with a minimum 50mm orifice diameter



Product Code	Pipework Options Ø mm	Depth A mm	Invert B mm	Approx. Weight (kg)	Pallet Qty
OFCC450/1.5	150 - 225	1480	965	34	2
OFCC450/2	150 - 225	1990	1475	39	2
OFCC450/2.4	150 - 225	2400	1885	44	N/A
OFCC450/3	150 - 225	3000	2485	50	N/A



To calculate the specific orifice diameter from a prescribed restricted flow rate, you can use the flow rate calculator on our website: www.turtleenviro.co.uk/oriflo