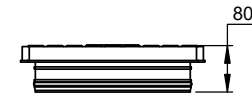
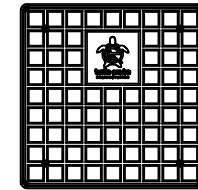
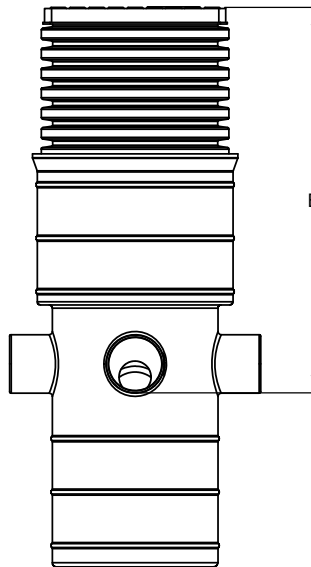
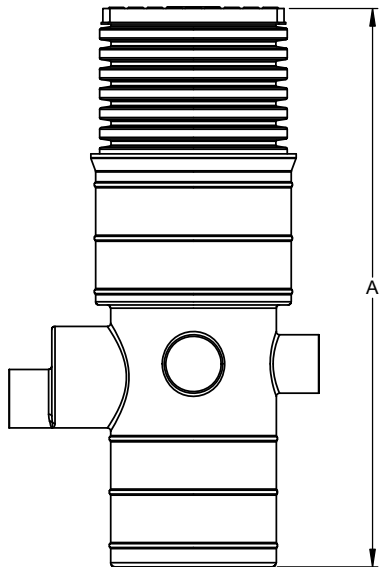
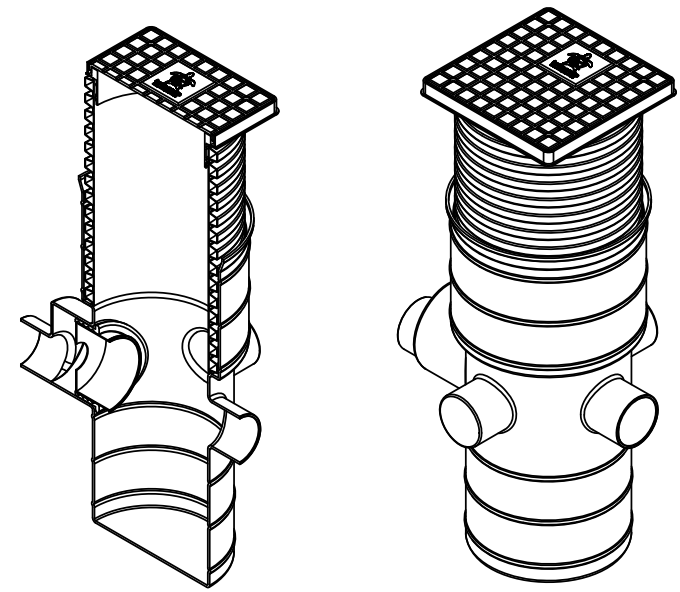


PLAN VIEW

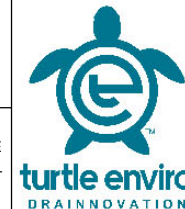


ACCESS COVER OPTIONS

PRODUCT CODE	INLET PIPEWORK	OUTLET PIPEWORK	OVERALL DEPTH	INVERT INLET	APPROX. WEIGHT KG
	∅ mm	∅ mm	A mm	B mm	
OFCP300/1	3 X 110	110	1025	695	9
OFCP300/2	3 X 110	110	1995	1630	22



PROPRIETARY & CONFIDENTIAL
 THE INFORMATION CONTAINED IN THIS DRAWING IS THE SOLE PROPERTY OF TURTLE ENVIRO DRAINNOVATION. ANY REPRODUCTION IN PART OR AS A WHOLE WITHOUT THE WRITTEN PERMISSION OF TURTLE ENVIRO DRAINNOVATION IS PROHIBITED.



DRAWN BY A.T	CONTRACT		
DRAWN DATE 04/06/2021	PRODUCT DESCRIPTION P SERIES - OFCP300		
APPROVED BY D.A	PRODUCT/CODE OFCP300		
APPROVED DATE 04/06/2021	SCALE: 1:10	SHEET/SIZE A3	REV: 1