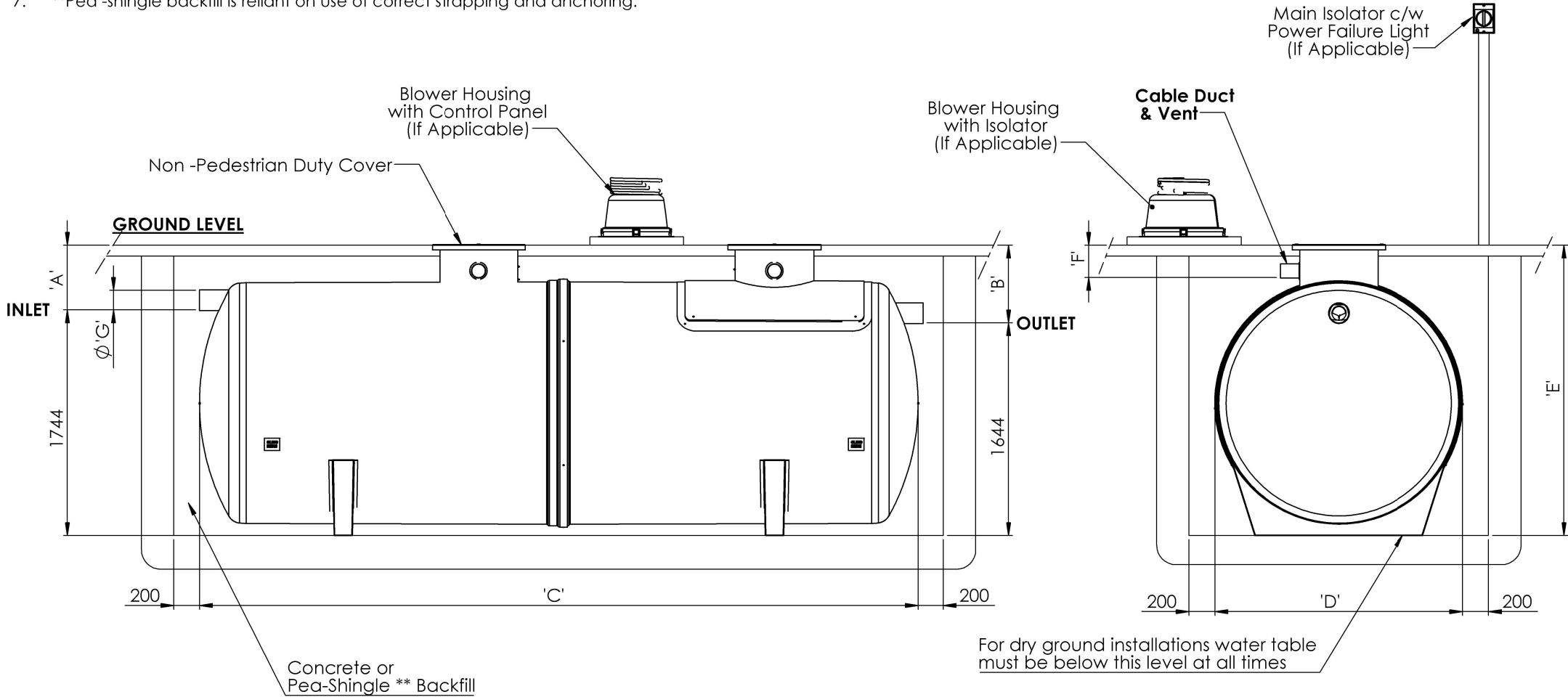
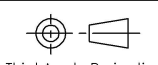



Notes:

1. This drawing is for 'Dimensional information Only', it is essential that this drawing is read in conjunction with the 'Installation Guidelines' supplied with the unit. (Copies available from our Sales Department)
2. Inlet and Outlet pipes are Ø110mm PVCu.
3. Extension neck kit is available for deer inverters up to a maximum invert of 2000mm. See extension neck drawing for assembly details.
4. Blower located inside external housing. Alarm beacon to be fitted to outside of blower housing (if applicable).
5. Vent pipe connection is supplied but vent runs and stacks are supplied by others.
6. Air hose for tank internals is supplied with blower housing and is run through the vent.
7. **Pea -shingle backfill is reliant on use of correct strapping and anchoring.

| Unit Ref | A' (mm) | B' (mm) | C' (mm) | D' (mm) | E' (mm) | F' (mm) | G' (mm) | Unit Weight (Kgs) |
|----------|---------|---------|---------|---------|---------|---------|---------|-------------------|
| BIA 7 | 500 | 600 | 5550 | 1920 | 2245 | 250 | 110 | 1250 |
| | 1000 | 1100 | 5550 | 1920 | 2745 | 250 | 110 | 1260 |
| | 1500 | 1600 | 5550 | 1920 | 3245 | 250 | 110 | 1280 |
| | 2000 | 2100 | 5550 | 1920 | 3745 | 250 | 110 | 1290 |



| | | | | | | | |
|--|----------|---------------------|-------------|---|--------------------------------------|---|-------------|
| Please check with Kingspan Water & Energy for the latest Issue of the drawing | | | | Modelled By : D.Owen | Tolerance (unless stated) : +/- 5 mm | Drawing : DS1419P | Page 1 of 1 |
| Issue | Date | Drawn By | Approved By | Weight : | Thickness : n/a | | |
| 01 | 18/05/23 | D. Musvaburi | D.M | Material : Various | Surface Area : n/a m ² | BioAir 7 Gravity (25PE) Sales Drawing | |
| All Dimensions In mm | | Scale: Do Not Scale | |  Third Angle Projection | |  Kingspan | |
| A:\Dept\Wastewater\Engineering\Drawing Data\02 - Sales Drawings\DS\DS - 14\DS1419P | | | | | | | |