

inspection chambers & manholes

product catalogue
July 21



INDEX

2 New Standards for Inspection Chambers

blue range

SURFACE WATER SYSTEMS

- 3-4** Catchpits Chambers introduction
- 5** Catchpits Chambers - 300 & 450 series
- 6** Catchpits Chambers - 450 & 600 series
- 7** Catchpits Chambers - 750 & 1050 series

blue range

SURFACE WATER SYSTEMS

- 8-9** Inspection Chambers introduction
- 10** Inspection Chambers - 450 & 600 series
- 11** Inspection Chambers - 600 series
- 12** Inspection Chambers - 600 series
- 13** Inspection Chambers - 1050 series

orange range

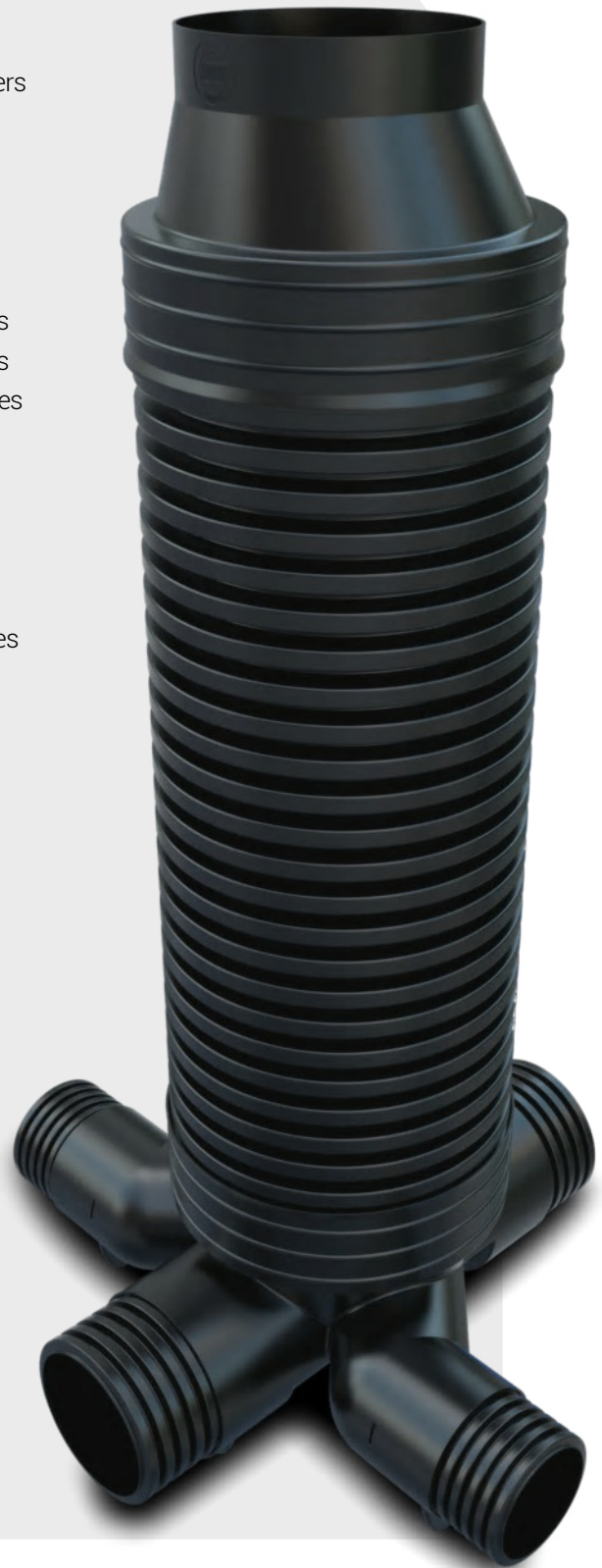
FOUL & SURFACE WATER SYSTEMS

- 14-15** Inspection Chambers introduction
- 16** Inspection Chambers - 450 series
- 17** Inspection Chambers - 600 series
- 18** Inspection Chambers - 600 series

green range

SAMPLING & IRRIGATION SYSTEMS

- 19-20** Sampling & Distribution Chamber
- 21** Access Shafts & Couplings
- 22** General Installation Guidance



Pre - assembled chambers



Lightweight, quick and easy to install



No plant or lifting equipment required



Designed to meet Adoptable Standard



Design Life



Made in the UK



SETTING NEW STANDARDS

Factory built inspection chambers and catch -pits, delivered to site as single piece units, ready to install, no assembly required.

All ACCESSO chambers are designed and manufactured to comply with Design and Construction Guidance (DCG) and BS EN 13598-1 & 2 (2009).

In March 2020, Sewers for Adoption 8 (SfA8), was due to be published, replacing SFA7. This has been superceded by Ofwat's - Code for Agreements and part of the implementation of these agreements is the introduction of (DCG)

Design & Construction Guidance

DCG is now being used by Specifiers, Engineers, Consultants and Water Companies throughout the U.K. , for Adoptable and also Non - Adoptable drainage design.

Parts B & C of DCG, define the designs of two types of Inspection Chamber- Type D and E Within Part C, of the Guidance regards these designs, it stipulates that: "Inspection chambers and manholes must have a minimum 50mm fall from side inlet to main channel".

'All Accesso Inspection Chamber bases have a been designed to meet DCG standards, with a minimum 50mm fall from side inlets to the main channel and as far as we are aware . . at this present time the Accesso 600 series Inspection Chambers are the only 600mm diameter inspection chambers that have this critical design feature'.



The maximum depths for Inspection Chambers in accordance to DCG is detailed in the table below, along with chamber types, diameters and pipework options.

Accesso Inspection Chambers Chamber Type	bluerange					orange range		
	300 series	450 series	600 series	750 series	1050 series	450 series BR RANGE	450 series	600 series
Chamber Internal Diameters (mm)	300	450	600	738	1038	450	450	600
Max. Depth to soffit of pipe - DCG Design & Construction Guidance (mm)	2000	3000	3000	3000	3000	N/A	3000	3000
Previous SfA7 Chamber Type	3 - 4	3 - 4	3 - 4	3 - 4	3 - 4	4	3 - 4	3 - 4
DCG Chamber Type	D & E	D & E	D & E	D & E	D & E	F	D & E	D & E
Number of inlets	3	3 - 5	3	1 - 5	1 - 5	5	5	5
Pipe Diameters (mm)	110 - 150	110/150 & 225 & 300	110/150/ 225 & 300	110/150/22 5/300 375 & 450	110/150/ 225/ 300/375/450 & 600	110/160	110/160	110/160/200/ 250 & 315



blue range
SURFACE WATER SYSTEMS

Catch-pit chambers

Catch-pit chambers

ACCESSO BLUE RANGE catchpits are delivered to site already pre assembled in our factory. Making these single piece units, quick and easy to install, as they need no construction or wet trades, offering significant onsite savings against pre cast concrete and other traditional construction methods. They are relatively lightweight and no machinery or lifting equipment is required.

There are five diameters available, from 300mm to 1050mm, with a choice of five standard depths, from 1 to 3 metres, with deeper chambers available on request.



Restriction Caps

Available for full range -
Required to reduce the access into the chamber to maximum diameter of 350mm, to meet DCG - Design & Construction Guidance



Access Covers & Reduction Caps

Access covers fit directly into 300 & 450 series access shaft and for fit into the 600 series chambers, they require a **600450RC** reduction cap. Please Note that both covers are A15 loading only



Robust twinwall access shaft

Allows for granular surround. The profile makes the shaft easy to cut to required depth

Various pipe connections available.

Diameter will be dependant on series/model

Adaptors

A wide range of adaptors are available to connect to most other pipe systems

Integrally moulded pipes

Giving options on site and ensuring watertight connections

High strength profiled base

Protects against buckling in high water tables

300mm sump

300 SERIES



MODEL: **AICCP300B**
Catch-Pits for use with 110mm EN 1401 pipe systems

Description

300mm diameter - Factory built inspection chamber catch-pits, delivered to site as single piece units, ready to install, no assembly required.

All chambers feature a robust, impact resistant rota moulded base, with four moulded pipe spigots to accommodate - 110mm EN 1401 pipe fittings. All spigots have blind ends, that can be cut off on site, if required. The main outlet connection will also accommodate 150mm twinwall and 160mm EN 1401 pipe with use of adaptor.



Product Code	Main channel pipework Ø (mm)	Optional Side Inlets (mm)	Overall Depth (mm)	Pallet Qty	Approx. Weight
AICCP300B (Base only)	110	2x110	775	16	3.5
AICCP300B/1	110	2x110	1025	4	6.5
AICCP300B/1.5	110	2x110	1560	2	11.5
AICCP300B/2	110	2x110	2020	2	17
150TWRP	150mm rocker pipe and seal to offer 150mm twinwall outlet			50	0.5
300ACSR	346mm - Square lockable access cover- A15 loading			60	3.5



450 SERIES

MODEL: **AICCP450B**
Catch-Pits for use with 110/160mm EN 1401 pipe systems

Description

450mm diameter - Factory built inspection chamber catch-pits, delivered to site as single piece units, ready to install, no assembly required.

All chambers feature a robust, impact resistant, rota moulded base with four moulded pipe spigots to accommodate - 110/160mm EN 1401 pipe fittings. All spigots have blind ends, that can be cut off on site, if required. The main outlet connection can also accommodate 150mm twinwall pipe.



Restriction Caps & Access Covers

Chambers deeper than 1500mm require a Restriction Cap Product Code - 450RCC to comply with DCG - Design & Construction Guidance.

Optionally, the 450 series chambers can be supplied with a restricted access cover, either a circular or square section, both have the required 350mm diameter restricted access. Both covers are designed to fit inside the access shaft.

AICCP450B (Base Only)	110	2 x 110 or 160	750	6	5
AICCP450B/1	110	2 x 110 or 160	1015	4	11
AICCP450B/1.5	110	2 x 110 or 160	1495	2	18.5
AICCP450B/2	110	2 x 110 or 160	1950	2	23
AICCP450B/2.4	110	2 x 110 or 160	2410	N/A	27.5



Adaptors

Adaptors are available to connect to other pipework with a 150mm internal diameter.



450RCC	Restriction Cap to 350mm Ø access			30	3
450SR	Sealing Ring for Restriction Cap to access shaft			50	2
450ACCRA	450mm Ø access cover - circular with integral 350mm restricted access - A15 Loading			32	6.5
450ACSRA	450mm Ø access cover - square section with integral 350mm restricted access - A15 Loading			32	14
TW150150SPIS	Adaptor to all 150mm pipe systems - internal connection			N/A	1

450 SERIES

MODEL: **AICCP450225B**
Catch-Pits for use with 225mm twinwall pipe systems

Description

450mm diameter - Factory built inspection chamber catch-pits, delivered to site as single piece units, ready to install, no assembly required.

All chambers feature a robust, impact resistant, rotamoulded base with moulded pipe spigots. The main channel features 225mm twinwall inlet and outlet pipe sockets, which are factory fitted with rocker pipes. Fitted wall seals can be supplied to offer - 110/160mm EN 1401 pipe connections (See Adaptors below).

Restriction Caps & Access Covers

To comply with DCG - Design & Construction Guidance, chambers deeper than 1500mm require our Restriction Cap - 450RCC. This restricts the access diameter to 350mm. Optionally on the 450 series, chambers can be supplied with a restricted access cover, either a circular or square section cover, both have the required 350mm diameter restricted access.



MODEL: **AICCP600B**
Catch-Pits for use with 110/160mm EN 1401 and 225/300mm twinwall pipe systems

Description

600mm diameter - Factory built inspection chamber catch-pits, delivered to site as single piece units, ready to install, no assembly required.

All chambers feature a robust, impact resistant, rotamoulded base with moulded pipe spigots. The main channel has several pipe options - 160mm EN 1401, 225mm and 300mm twinwall, both twinwall options come with rocker pipe connections. Side connections are moulded spigot connections, that accommodate either 110mm and 160mm EN 1401 pipe fittings or a 225mm twinwall rocker pipe. All spigots have blind ends that can be cut off on site if required.

Restriction & Reduction Caps

Chambers deeper than 1500mm require a Restriction Cap Product Code - 600RCC to comply with DCG - Design & Construction Guidance.

Optionally, chambers can be supplied with a 600450RC Reduction Cap, which will accommodate either a circular or square section cover, both have the required 350mm diameter restricted access.



Adaptors & Rocker Pipes

Adaptors are available for both 450 & 600 series ranges to fit various other pipe systems, including UltraRib, Polysewer, Marley Quantum and FUNKE HS. As well as reducers to smaller twinwall systems.

225mm rocker pipes are also available for side inlet connections to AICCP600B.

WSA138110 and WSA180160 adaptors offer side connections to AICCP450225, as illustrated in the image opposite.



Product Code	Main channel pipework Ø (mm)	Optional Side Inlets (mm)	Overall Depth (mm)	Pallet Qty	Approx. Weight (kg)
AICCP450225B (Base Only)	225 twinwall	110 or 160*	1006	4	15.5
AICCP450225B/1	225 twinwall	110 or 160*	1075	2	25
AICCP450225B/1.5	225 twinwall	110 or 160*	1524	2	29.5
450RCC	Restriction Cap to 350mm Ø access			30	3
450SR	Sealing Ring for Restriction Cap to access shaft			50	2
450ACCRA	450mm Ø access cover - circular with integral 350mm restricted access - A15 Loading			32	6.5
450ACSRA	450mm Ø access cover - square section with integral 350mm restricted access - A15 Loading			32	14

600 SERIES

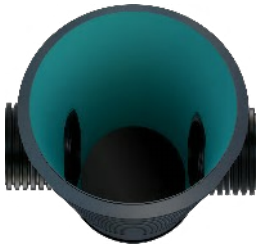


AICCP600B (Base Only)	160 EN1401 225/300 twinwall	110/160 EN1401 225 twinwall	1010	2	17.5
AICCP600B/1	160 EN1401 225/300 twinwall	110/160 EN1401 225 twinwall	1075	2	26
AICCP600B/1.5	160 EN1401 225/300 twinwall	110/160 EN1401 225 twinwall	1555	1	34
AICCP600B/2	160 EN1401 225/300 twinwall	110/160 EN1401 225 twinwall	1945	1	42
AICCP600B/2.4	160 EN1401 225/300 twinwall	110/160 EN1401 225 twinwall	2335	N/A	50
600RCC	Restriction Cap to 350mm Ø access			10	4
600SR	Sealing Ring for Restriction Cap to access shaft			30	3
300DC	300mm Ø Debris Cover			60	3
600450RC	Reduction Cap from 600mm to 450mm Ø access to accommodate - 450ACCRA and 450ACSRA			8	6.5
450ACCRA	450mm Ø access cover - circular with integral 350mm restricted access - A15 Loading			32	6.5
450ACSRA	450mm Ø access cover - square section with integral 350mm restricted access - A15 Loading			32	14



WSA138110	EPDM seal connection to 160mm EN1401 pipe	N/A	0.5
WSA180160	EPDM seal connection to 160mm EN1401 pipe	N/A	1
TW225225UR	Adaptor - 225mm twinwall to 225mm UltraRib	60	2
TW225225SPS	Adaptor - 225mm twinwall to 225mm Polysewer	60	2
TW225225MQ	Adaptor - 225mm twinwall to 225mm Marley Quantum	60	2
TWR225160	225mm twinwall to EN1401 160mm pipe socket	60	2
TWR225150	225mm twinwall to 150mm twinwall pipe socket	60	2
TWR300225	300mm to 225mm twinwall pipe socket	40	3
TW300300UR	Adaptor - 300mm twinwall to 300mm UltraRib	40	3.5
TW300300PS	Adaptor - 300mm twinwall to 300mm Polysewer	40	3.5
TW300315HS	Adaptor - 300mm twinwall to 315mm FUNKE HS	40	3.5
225TWRP	225mm TW rocker pipe and seal	40	1.5

750 SERIES



MODEL: **AICCP750450B**
 Catch-Pits for use with 450mm twinwall pipe system

Description

750mm diameter - Factory built inspection chamber catch-pits, delivered to site as single piece units, ready to install, no assembly required. Standard chamber comes with outlet spigot connection at 0° to main channel and a choice of main inlet positions, from 90° to 270°. If not stipulated the inlet will be at 180°. Further optional side inlets are available, within the same degree spectrum (see below).



Restriction & Reduction Caps

Chambers deeper than 1500mm require a Restriction Cap Product Code - 750RC to comply with DCG - Design & Construction Guidance.

Optionally chambers can be supplied with fitted ladders.

Product Code	Main channel pipework Ø (mm)	Optional Side Inlets (mm)	Outlet invert (mm)	Overall Depth (mm)	Pallet Qty	Approx. Weight (kg)
AICCP750450/1.5	450 twinwall	90 -270°	1200	1500	1	85
AICCP750450/2	450 twinwall	90 -270°	1700	2000	1	99
AICCP750450/2.4	450 twinwall	90 -270°	2100	2400	N/A	110
AICCP750450/3	450 twinwall	90 -270°	2700	3000	N/A	127

750RC	Restriction Cap to 350mm Ø access				8	12
750SR	Sealing Ring for Restriction Cap to access shaft				30	6

1050 SERIES



MODEL: **AICCP1050B**
 Catch-Pits for use with 150mm to 450mm twinwall pipe systems

Description

1050mm diameter - Factory built inspection chamber catch-pits, delivered to site as single piece units, ready to install, no assembly required.

Standard chamber comes with outlet spigot connection at 0° to main channel and a choice of main inlet positions, from 90° to 270°. If not stipulated the inlet will be at 180°.

Further optional side inlets are available, within the same degree spectrum (see below).

AICCP1050150/1.5	150 twinwall	90 -270°	965	1465	N/A	77
AICCP1050150/2	150 twinwall	90 -270°	1483	1983	N/A	120
AICCP1050150/2.4	150 twinwall	90 -270°	1900	2400	N/A	146
AICCP1050150/3	150 twinwall	90 -270°	2500	3000	N/A	169
AICCP1050225/1.5	225 twinwall	90 -270°	965	1465	N/A	80
AICCP1050225/2	225 twinwall	90 -270°	1483	1983	N/A	123
AICCP1050225/2.4	225 twinwall	90 -270°	1900	2400	N/A	149
AICCP1050225/3	225 twinwall	90 -270°	2500	3000	N/A	172
AICCP1050300/1.5	300 twinwall	90 -270°	965	1465	N/A	82
AICCP1050300/2	300 twinwall	90 -270°	1483	1983	N/A	125
AICCP1050300/2.4	300 twinwall	90 -270°	1900	2400	N/A	151
AICCP1050300/3	300 twinwall	90 -270°	2500	3000	N/A	174
AICCP1050450/1.5	450 twinwall	90 -270°	965	1465	N/A	90
AICCP1050450/2	450 twinwall	90 -270°	1483	1983	N/A	133
AICCP1050450/2.4	450 twinwall	90 -270°	1900	2400	N/A	159
AICCP1050450/3	450 twinwall	90 -270°	2500	3000	N/A	182

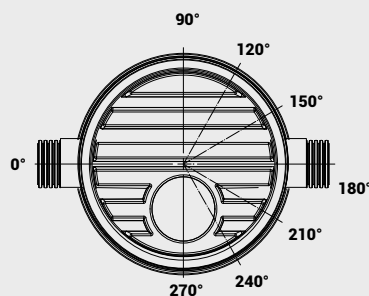
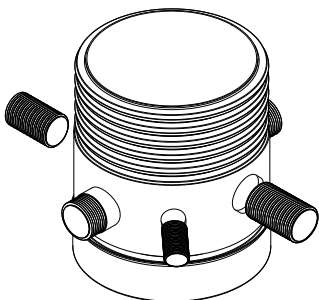
Restriction & Reduction Caps

Chambers deeper than 1500mm require a Restriction Cap Product Code - 1050RCC to comply with DCG - Design & Construction Guidance.

Optionally they can be supplied with fitted ladders.

1050RCC	Restriction Cap to 350mm Ø access				8	17
1050SR	Sealing Ring for Restriction Cap to access shaft				30	9

Additional factory fitted pipe connections



110PEFFSP	110mm pipe inlet stub
160PEFFSP	160mm pipe inlet stub
250PEFFSP	250mm pipe inlet stub
315PEFFSP	315mm pipe inlet stub
TW150FFSP	150mm twinwall inlet stub
TW225FFSP	225mm twinwall inlet stub
TW300FFSP	300mm twinwall inlet stub
TW375FFSP	375mm twinwall inlet stub
TW450FFSP	450mm twinwall inlet stub



blue range
SURFACE WATER SYSTEMS

Inspection chambers

Inspection chambers

ACCESSO BLUE RANGE inspection chambers are delivered to site already pre assembled in our factory. Making these single piece units, quick and easy to install, as they need no construction or wet trades, offering significant onsite savings against pre cast concrete and other traditional construction methods. They are relatively lightweight and no machinery or lifting equipment is required for the vast majority of the range.

There are three diameters available - 450mm, 600mm and 1050mm and a choice of five standard depths, from 1 to 3 metres, with deeper chambers available. Chamber bases can be used separately for shallow invert installations and also at the base of a PCC manhole, offering a pre-formed option to labour intensive benching.



Restriction Caps

Available for full range -
Required to reduce access to maximum 350mm diameter, to meet Design & Construction Guidance



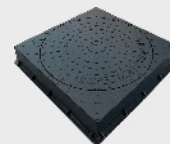
Inspection Chamber Bases

Bases are rota moulded polyethylene, making them robust and impact resistant. Various pipework configurations and diameters are available and bases can be used individually for shallow invert installations and also at the base of a PCC manhole, offering a pre-formed option to labour intensive benching



Access Covers & Reduction Caps

Option of two access covers that fit directly into 450 series access shaft and for fit into the 600 series chambers, they require a **600450RC** reduction cap.
Please Note that both covers are A15 loading only



Effective Height 285mm

Robust twinwall access shaft

Allows for granular surround. The profile makes the shaft easy to cut to required depth

Adaptors

A wide range of adaptors are available to connect to most other pipe systems

Rocker Pipes

Fitted as standard on main channel on all Blue Range Inspection Chambers

Moulded feet

Lifts the chamber pipework off the base of the trench, allowing for connections to be made, preventing dirt ingress

Minimum 50mm step

Required from side inlet channel to main channel to meet Design & Construction Guidance and Adoptable Standards

450SERIES



MODEL: **AIC450150B**
Inspection Chamber for use with 150mm twinwall pipe systems

Description

450mm diameter - Factory built inspection chambers, delivered to site as single piece units, ready to install, no assembly required.

All chambers feature a robust, impact resistant, rota moulded base. This model has 150mm twinwall rocker pipe connections to main channel and two further optional 150mm twinwall side connections at 90°, these have blind ends that can be cut off on site if required. Separate 150mm rocker pipes are available for side inlets, as well as adaptors to offer - 110/160mm EN 1401 side connections or 225mm twinwall (outlet only).

Base only - Comes without any rocker pipes fitted.



Restriction Cap - 450RCC

Restriction Caps & Access Covers

To comply with DCG - Design & Construction Guidance, chambers deeper than 1500mm require our Restriction Cap - 450RCC. This restricts the access diameter to 350mm.

Optionally on the 450 series, chambers can be supplied with a restricted access cover, either a circular, or square section cover, both have the required 350mm diameter restricted access.

Product Code	Main channel pipework Ø (mm)	Optional Side Inlets (mm)	Overall Depth (mm)	Pallet Qty	Approx. Weight (kg)
--------------	------------------------------	---------------------------	--------------------	------------	---------------------



AIC450150B (Base only)	150 twinwall	2 x 150 twinwall @ 90°	500	16	5
AIC450150B/1	150 twinwall	2 x 150 twinwall @ 90°	1040	4	13.5
AIC450150B/1.5	150 twinwall	2 x 150 twinwall @ 90°	1560	2	21.5
AIC450150B/2	150 twinwall	2 x 150 twinwall @ 90°	2020	2	26
AIC450150B/2.4	150 twinwall	2 x 150 twinwall @ 90°	2384	N/A	29.5
AIC450150B/3	150 twinwall	2 x 150 twinwall @ 90°	3000	N/A	35

450RCC	Restriction Cap to 350mm Ø access		30	3
450SR	Sealing Ring for Restriction Cap to access shaft		50	2

450ACCRA	450mm Ø access cover - circular with integral 350mm restricted access - A15 Loading		32	6.5
450ACSRA	450mm Ø access cover - square section with integral 350mm restricted access - A15 Loading		32	14

600SERIES



MODEL: **AIC600150B**
Inspection Chamber for use with 150mm twinwall pipe systems

Description

600mm diameter - Factory built inspection chamber, delivered to site as single piece units, ready to install, no assembly required.

Chamber base comes with 150mm twinwall rocker pipe connections to main channel. The chamber also has two optional, 150mm twinwall side connections at 90°. Side inlets are supplied with blind ends for cutting on site. Adaptors can be supplied to offer various side inlet connections.

Base only - Comes without any rocker pipes fitted.



Effective Height 285mm

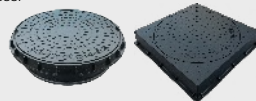
Reduction Cap - 600450RC

Restriction Cap - 600RCC

Restriction & Reduction Caps

Chambers deeper than 1500mm require a Restriction Cap - 600RCC, to comply with DCG - Design & Construction Guidance.

Optionally, chambers can be supplied with a Reduction Cap - 600450RC, which will accommodate, either a circular or square section cover, both have the required 350mm diameter restricted access.



AIC600150B (Base Only)	150 twinwall	2 x 150 twinwall @ 90°	580	3	10
AIC600150B/1	150 twinwall	2 x 150 twinwall @ 90°	990	2	26
AIC600150B/1.5	150 twinwall	2 x 150 twinwall @ 90°	1510	1	35
AIC600150B/2	150 twinwall	2 x 150 twinwall @ 90°	1965	1	43
AIC600150B/2.4	150 twinwall	2 x 150 twinwall @ 90°	2355	N/A	50
AIC600150B/3	150 twinwall	2 x 150 twinwall @ 90°	3000	N/A	59

600RCC	Restriction Cap to 350mm Ø access		10	4
600SR	Sealing Ring for Restriction Cap to access shaft		30	3
300DC	300mm Ø Debris Cover		60	3
600450RC	Reduction Cap from 600mm to 450mm Ø access to accommodate - 450ACCRA and 450ACSRA		8	6.5

450ACCRA	450mm Ø access cover - circular with integral 350mm restricted access - A15 Loading		32	6.5
450ACSRA	450mm Ø access cover - square section with integral 350mm restricted access - A15 Loading		32	14

Adaptors & Rocker Pipes

Adaptors available are for both 450 and 600 series models.

150mm rocker pipes are also available for side inlet connections on all models, these come with a seal, ready for connection.



WSA138110	EPDM seal connection to 160mm EN1401 pipe	N/A	0.5
WSA180160	EPDM seal connection to 160mm EN1401 pipe	N/A	1
TWR225150	Adaptor from 150mm to 225mm twinwall (outlet only)	60	2
150TWRP	150mm twinwall rocker pipe and seal	N/A	0.5

600SERIES



MODEL: **AIC600225B**
Inspection Chamber for use with 225mm & 150mm twinwall pipe systems

Description

600mm diameter - Factory built inspection chambers, delivered to site as single piece units, ready to install, no assembly required.

All chambers feature a robust, impact resistant, rata moulded base. This model has 225mm twinwall connections to main channel and optional 150mm twinwall side connections at 60°, these are provided with blind ends that can be cut off on site, if required. Chambers come with 225mm twinwall rocker pipes to main channel and 150mm rocker pipes are available for side inlets, as well as a wide range of adaptors to fit both main and side channels.

Base only - Comes without any rocker pipes fitted.

MODEL: **AIC600225225B**
Inspection Chamber for use with 225mm twinwall pipe systems

Description

600mm diameter - Factory built inspection chambers, delivered to site as single piece units, ready to install, no assembly required.

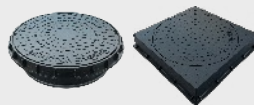
All chambers feature a robust, impact resistant, rata moulded base. This model has 225mm twinwall connections to main channel and optional 225mm twinwall side connections at 90°, which are provided with blind ends that can be cut off on site, if required. Chambers come with 225mm twinwall rocker pipes to main channel and further 225mm rocker pipes are available for side inlets, as well as a wide range of adaptors to fit both main and side channels.

Base only - Comes without any rocker pipes fitted.

Restriction & Reduction Caps

Chambers deeper than 1500mm require a Restriction Cap Product Code - 600RCC to comply with DCG - Design & Construction Guidance.

Optionally, chambers can be supplied with a Reduction Cap - 600450RC, which will accommodate either a circular, or square section cover, both have the required 350mm diameter restricted access.



Adaptors & Rocker Pipes

Adaptors are available for side channels, to allow connection to 110mm and 160mm EN 1401 connections and for main 225mm channel, there are reducers to 150mm twinwall and 160mm EN1401. As well as adaptors to 225mm UltraRib, Polysewer and Marley Quantum.

150mm rocker pipes are also available for side inlet connections, these come with a seal, ready for connection.

Product Code	Main channel pipework Ø (mm)	Optional Side Inlets (mm)	Overall Depth (mm)	Pallet Qty	Approx. Weight (kg)
AIC600225B (Base only)	225 twinwall	2 x 150 twinwall @ 60°	650	3	10
AIC600225B/1	225 twinwall	2 x 150 twinwall @ 60°	1060	2	25
AIC600225B/1.5	225 twinwall	2 x 150 twinwall @ 60°	1540	1	34
AIC600225B/2	225 twinwall	2 x 150 twinwall @ 60°	1930	1	42
AIC600225B/2.4	225 twinwall	2 x 150 twinwall @ 60°	2320	N/A	49
AIC600225B/3	225 twinwall	2 x 150 twinwall @ 60°	3000	N/A	57

AIC600225225B (Base only)	225 twinwall	2 x 225 twinwall @ 90°	650	3	10
AIC600225225B/1	225 twinwall	2 x 225 twinwall @ 90°	1090	2	26
AIC600225225B/1.5	225 twinwall	2 x 225 twinwall @ 90°	1570	1	35
AIC600225225B/2	225 twinwall	2 x 225 twinwall @ 90°	1960	1	43
AIC600225225B/2.4	225 twinwall	2 x 225 twinwall @ 90°	2350	N/A	50
AIC600225225B/3	225 twinwall	2 x 225 twinwall @ 90°	3000	N/A	58

600RCC	Restriction Cap to 350mm Ø access	10	4
600SR	Sealing Ring for Restriction Cap to access shaft	30	3
300DC	300mm Ø Debris Cover	60	3
600450RC	Reduction Cap from 600mm to 450mm Ø access to accommodate - 450ACCRA and 450ACSRA	8	6.5
450ACCRA	450mm Ø access cover - circular with integral 350mm restricted access - A15 Loading	32	6.5
450ACSRA	450mm Ø access cover - square section with integral 350mm restricted access - A15 Loading	32	14



WSA138110	EPDM seal connection to 160mm EN1401 pipe	N/A	0.5
WSA180160	EPDM seal connection to 160mm EN1401 pipe	N/A	1
TW225225UR	Adaptor - 225mm twinwall to 225mm UltraRib	60	2
TW225225PS	Adaptor - 225mm twinwall to 225mm Polysewer	60	2
TW225225MQ	Adaptor - 225mm twinwall to 225mm Marley Quantum	60	2
TWR225160	225mm twinwall to EN1401 160mm pipe socket	60	2
TWR225150	225mm twinwall to 150mm twinwall pipe socket	60	2
TWR300225	300mm to 225mm twinwall pipe socket	40	3
150TWRP	150mm TW rocker pipe and seal	N/A	0.5
225TWRP	225mm TW rocker pipe and seal	N/A	1.5



600SERIES



MODEL: **AIC600300B**
Inspection Chamber for use with 300mm & 225mm twinwall pipe systems

Description

600mm diameter - Factory built inspection chambers, delivered to site as single piece units, ready to install, no assembly required.

All chambers feature a robust, impact resistant, rota moulded base. This model has 300mm twinwall connections to main channel and optional 225mm twinwall side connections, at 90°, these are provided with blind ends that can be cut off on site, if required.

Chambers come with 300mm twinwall rocker pipes to main channel and 225mm rocker pipes are available for side inlets, as well as a wide range of adaptors to fit both main and side channels.

Base only - Comes without any rocker pipes fitted.

Product Code	Main channel pipework Ø (mm)	Optional Side Inlets (mm)	Overall Depth (mm)	Pallet Qty	Approx. Weight (kg)
--------------	------------------------------	---------------------------	--------------------	------------	---------------------



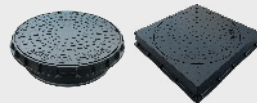
AIC600300B (Base only)	300 twinwall	2 x 225 twinwall @ 90°	650	3	14
AIC600300B/1	300 twinwall	2 x 225 twinwall @ 90°	1115	2	32
AIC600300B/1.5	300 twinwall	2 x 225 twinwall @ 90°	1595	1	41
AIC600300B/2	300 twinwall	2 x 225 twinwall @ 90°	1985	1	49
AIC600300B/2.4	300 twinwall	2 x 225 twinwall @ 90°	2375	N/A	57
AIC600300B/3	300 twinwall	2 x 225 twinwall @ 90°	3000	N/A	66



Restriction & Reduction Caps

Chambers deeper than 1500mm require a Restriction Cap - 600RCC, to comply with DCG - Design & Construction Guidance.

Optionally, chambers can be supplied with a Reduction Cap - 600450RC, which will accommodate either a circular or square section cover, both have the required 350mm diameter restricted access.



600RCC	Restriction Cap to 350mm Ø access	10	4
600SR	Sealing Ring for Restriction Cap to access shaft	30	3
300DC	300mm Ø Debris Cover	60	3
600450RC	Reduction Cap from 600mm to 450mm Ø access to accommodate - 450ACCRA and 450ACSRA	8	6.5
450ACCRA	450mm Ø access cover - circular with integral 350mm restricted access - A15 Loading	32	6.5
450ACSRA	450mm Ø access cover - square section with integral 350mm restricted access - A15 Loading	32	14



Adaptors & Rocker Pipes

Adaptors are available to fit various diameters from 110mm to 315mm and for pipework systems, including - UltraRib, Polysewer, Marley Quantum and FUNKE HS. As well as reducers to smaller twinwall systems.

225mm rocker pipes are also available for side inlet connections.



WSA138110	EPDM seal connection to 160mm EN1401 pipe	N/A	0.5
WSA180160	EPDM seal connection to 160mm EN1401 pipe	N/A	1
TW225225UR	Adaptor - 225mm twinwall to 225mm UltraRib	60	2
TW225225PS	Adaptor - 225mm twinwall to 225mm Polysewer	60	2
TW225225MQ	Adaptor - 225mm twinwall to 225mm Marley Quantum	60	2
TWR225160	225mm twinwall to EN1401 160mm pipe socket	60	2
TWR225150	225mm twinwall to 150mm twinwall pipe socket	60	2
TWR300225	300mm to 225mm twinwall pipe socket	40	3
TW300300UR	Adaptor - 300mm twinwall to 300mm UltraRib	40	3.5
TW300300PS	Adaptor - 300mm twinwall to 300mm Polysewer	40	3.5
TW300315HS	Adaptor - 300mm twinwall to 315mm FUNKE HS	40	3.5
225TWRP	225mm TW rocker pipe and seal	40	1.5

1050SERIES



MODEL: AIC1050
Inspection Chamber for use with 150mm to 450mm twinwall pipe systems

Description

1050mm diameter - Factory built inspection chambers, delivered to site as single piece units, ready to install, no assembly required.

This model comes with choice of main channel diameters - 150mm to 450mm twinwall and with four optional channel configurations, as shown adjacent - Straight, 30°, 45° and 90°.

Product Code	Main channel pipework Ø (mm)	Channel Orientation	Overall Depth (mm)	Pallet Qty	Approx. Weight
AIC1050/1	150 - 450	Straight, 30°,45° & 90°	1040	N/A	80
AIC1050/1.5	150 - 450	Straight, 30°,45° & 90°	1565	N/A	100
AIC1050/2	150 - 450	Straight, 30°,45° & 90°	1980	N/A	120
AIC1050/2.4	150 - 450	Straight, 30°,45° & 90°	2400	N/A	137
AIC1050/3	150 - 450	Straight, 30°,45° & 90°	2912	N/A	160



MODEL: AIC1050SI
Inspection Chamber for use with 150mm to 450mm twinwall pipe systems

Description

1050mm diameter - Factory built inspection chambers, delivered to site as single piece units, ready to install, no assembly required.

This model comes with choice of main channel diameters from 150mm to 450mm twinwall and with a choice of side inlet diameters, which are positioned at 90° to the main channel.

Product Code	Main channel pipework Ø (mm)	Side inlet options (mm)	Overall Depth	Pallet Qty	Approx. Weight
AIC1050SI90/1	150 - 450	150, 225 or 300 @ 90°	1040	N/A	85
AIC1050SI90/1.5	150 - 450	150, 225 or 300 @ 90°	1565	N/A	105
AIC1050SI90/2	150 - 450	150, 225 or 300 @ 90°	1980	N/A	125
AIC1050SI90/2.4	150 - 450	150, 225 or 300 @ 90°	2400	N/A	142
AIC1050SI90/3	150 - 450	150, 225 or 300 @ 90°	2912	N/A	165



Restriction & Reduction Caps

Chambers deeper than 1500mm require a Restriction Cap - 1050RCC, to comply with DCG - Design & Construction Guidance.

1050RCC	Restriction Cap to 350mm Ø access	8	17
1050SR	Sealing Ring for Restriction Cap to access shaft	30	9



Adaptors

Adaptors are available to fit various diameters, from 110mm to 315mm and for pipework systems, including - UltraRib, Polysewer, Marley Quantum and FUNKE HS. As well as reducers to smaller twinwall systems.

225mm rocker pipes are also available for side inlet connections.

TW150150SPIS	Adaptor to all 150mm pipe systems - internal connection	N/A	1
TW225225UR	Adaptor - 225mm twinwall to Ultra Rib	60	2
TW225225PS	Adaptor - 225mm twinwall to Polysewer	60	2
TW225225MQ	Adaptor - 225mm twinwall to 225mm Marley Quantum	60	2
TW300300UR	Adaptor - 300mm twinwall to 300mm ULTRA RIB	40	2
TW300300PS	Adaptor - 300mm twinwall to 300mm POLYSEWER	40	3.5
TW300315HS	Adaptor - 300mm twinwall to 315mm FUNKE HS	40	3.5





orange range

FOUL & SURFACE WATER SYSTEMS

Inspection chambers

Inspection chambers

ACCESSO ORANGE RANGE inspection chambers are delivered to site already pre assembled in our factory. Making these single piece units, quick and easy to install, as they need no construction or wet trades, offering significant onsite savings against pre cast concrete and other traditional construction methods. They are relatively lightweight and no machinery or lifting equipment is required for the vast majority of the range.

There are two diameters available - 450mm and 600mm and 5 standard depths available, from 1 to 3 metres, with deeper chambers available on request. Chamber bases can be used separately for shallow invert installations and also at the base of a PCC manhole, offering a pre-formed option to labour intensive benching.



Restriction Caps

Available for full range - Required to reduce access to maximum 350mm, to meet Design & Construction Guidance



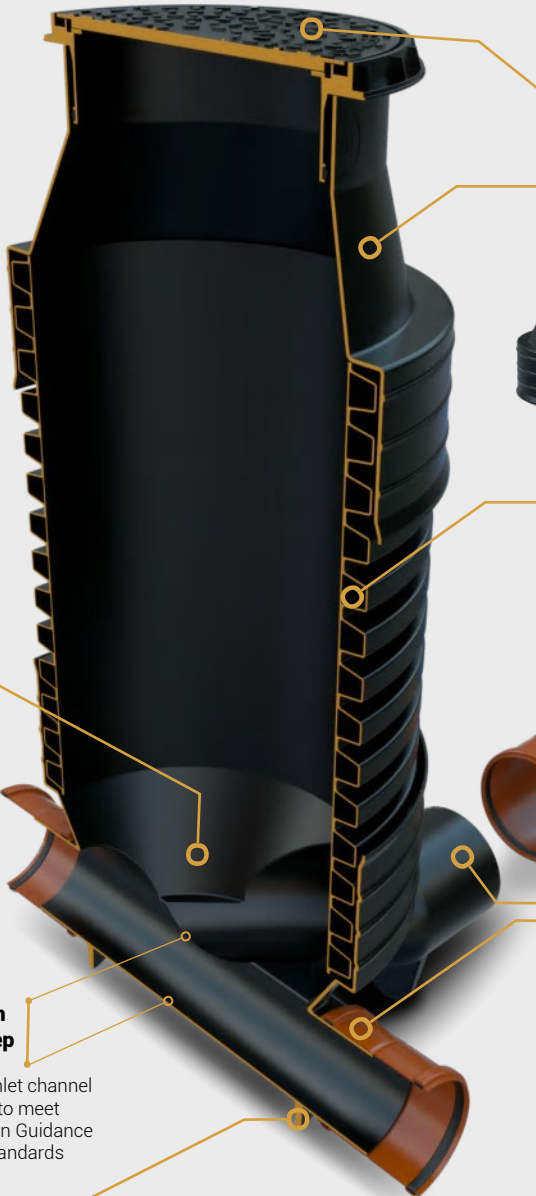
Inspection Chamber Bases

Bases are either injection or rota moulded from PP or PE, dependant on range. Various pipework configurations and diameters are available. Bases can be used individually for shallow invert installations and also at the base of a PCC manhole, offering a pre-formed option to labour intensive benching



Minimum 50mm step

Required from side inlet channel to main channel to meet Design & Construction Guidance and Adoptable Standards



Access Covers & Reduction Caps

Option of two access covers that fit directly into 450 series access shaft and for fit into the 600 series chambers, they require a 600450RC reduction cap.

Please Note that both covers are A15 loading only



Effective Height 285mm

Robust twinwall access shaft

Allows for granular surround. The profile makes the shaft easy to cut to required depth



Inlet Connections & Adaptors

Dependant on the model, there is a choice of main channel connections from 110mm to 315mm. With a range of adaptors available for connection to other pipework systems



Moulded feet

Lifts the chamber pipework off the base of the trench, allowing for connections to be made, preventing dirt ingress

450 SERIES

MODEL: **AIC110450BR**
Inspection Chamber for use with 110mm EN 1401 pipe systems

Description

Chamber base comes with 110mm socket connections to main channel and four further 110mm inlets, two at 90° to main channel and two at 45°. Side inlets are supplied with blanking plugs. Chambers will come factory assembled, ready for installation

MODEL: **AIC160450BR**
Inspection Chamber for use with 160mm and 110mm EN 1401 pipe systems

Description

Chamber base comes with 160mm socket connections to main channel and two further 160mm inlets, at 90° to main channel and two 110mm inlets at 45°. Side inlets are supplied with blanking plugs. Chambers will come factory assembled, ready for installation

Extension Risers & Access Covers

Extension risers and access covers for AIC110 & 160BR range

Product Code	Main channel pipework Ø (mm)	Optional Side Inlets (mm)	Overall Depth (mm)	Pallet Qty	Approx. Weight
AIC110450BR1	110	2 x 110 at 90° & 2 x 110 at 45°	435	16	3.5
AIC110450BR2	110	2 x 110 at 90° & 2 x 110 at 45°	632	12	5
AIC110450BR3	110	2 x 110 at 90° & 2 x 110 at 45°	829	8	6.5
AIC110450BR4	110	2 x 110 at 90° & 2 x 110 at 45°	1026	8	8
AIC160450BR1	160	2 x 160 at 90° & 2 x 110 at 45°	502	16	4
AIC160450BR2	160	2 x 160 at 90° & 2 x 110 at 45°	699	12	5.5
AIC160450BR3	160	2 x 160 at 90° & 2 x 110 at 45°	896	8	7
AIC160450BR4	160	2 x 160 at 90° & 2 x 110 at 45°	1093	8	8.5
450BR	450mm Ø extension riser & seal (effective height 197mm)			50	1
450ACC	450mm Ø access cover - circular with A15 LOADING			32	3.5
450ACS	450mm Ø access cover - square section with A15 LOADING			32	8

MODEL: **AIC110450SP**
Inspection Chamber for use with 110mm EN 1401 pipe systems

Description

450mm diameter - Factory built inspection chambers, delivered to site as single piece units, ready to install, no assembly required.

This model has an injection moulded chamber base, which has 110mm socket connections to main channel and four optional 110mm side connections - Two at 90° and two at 45°. All side inlets are supplied with socket plugs, which can be simply removed for use on site.

MODEL: **AIC160450SP**
Inspection Chamber for use with 160mm and 110mm EN 1401 pipe systems

Description

450mm diameter - Factory built inspection chambers, delivered to site as single piece units, ready to install, no assembly required.

This model has an injection moulded chamber base, which has 160mm socket connections to main channel and two optional 160mm side connections at 90° and two 110mm connections at 45°. All side inlets are supplied with socket plugs, which can be simply removed for use on site.

Restriction Caps & Access Covers

Chambers deeper than 1500mm require a Restriction Cap - 450RCC, to comply with DCG - Design & Construction Guidance.

Optionally the 450 series chambers can be supplied with a restricted access cover, either a circular or square section cover, both have the required 350mm diameter restricted access.

Adaptors & Non Return Valves

Adaptors are available for connection to 150mm UltraRib and 150mm and 225mm twinwall.



Our Buffalo Non Return Valves simply push into the inlets on our 110mm and 160mm inspection chamber models. The BNRV110 is unique, in that it push fits into the side inlets in all injection moulded bases. Both units can be locked for maintenance purposes.



AIC110450B (Base only)	110	2 x 110 at 90° & 2 x 110 at 45°	444	16	6.5
AIC1104501SP	110	2 x 110 at 90° & 2 x 110 at 45°	960	6	13.5
AIC11045015SP	110	2 x 110 at 90° & 2 x 110 at 45°	1480	2	18.5
AIC11045020SP	110	2 x 110 at 90° & 2 x 110 at 45°	1940	2	24
AIC11045024SP	110	2 x 110 at 90° & 2 x 110 at 45°	2300	N/A	29

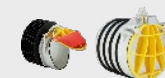


AIC1604501SP (Base only)	110	2 x 110 at 90° & 2 x 110 at 45°	511	16	7
AIC1604501SP	110	2 x 110 at 90° & 2 x 110 at 45°	1030	6	14
AIC16045015SP	110	2 x 110 at 90° & 2 x 110 at 45°	1550	2	19
AIC16045020SP	110	2 x 110 at 90° & 2 x 110 at 45°	2015	2	25
AIC16045024SP	110	2 x 110 at 90° & 2 x 110 at 45°	2375	N/A	30

450RCC	Restriction Cap to 350mm Ø access	30	3
450SR	Sealing Ring for Restriction Cap to access shaft	50	2
450ACCRA	450mm Ø access cover - circular with integral 350mm restricted access - A15 Loading	32	6.5
450ACSRA	450mm Ø access cover - square section with integral 350mm restricted access - A15 Loading	32	14



UR150160EN	Adaptor from 150mm Ultra Rib to 160mm EN 1401	80	1
TWR225160	160mm-225mm twinwall (Outlet only)	60	2
TW150160SPSP	Adaptor - 150mm twinwall to 160mm EN1401	60	0.5



BNRV110	Non Return Valve - Ø100mm/110mm	30	0.5
BNRV160	Non Return Valve - Ø150mm/160mm	10	1



600SERIES



MODEL: **AIC110600SP**
Inspection Chamber for use with 110mm EN 1401 pipe systems

Description

600mm diameter - Factory built inspection chambers, delivered to site as single piece units, ready to install, no assembly required.

This model has an injection moulded chamber base, which has 110mm socket connections to main channel and four optional 110mm side connections - Two at 90° and two at 45°. All side inlets are supplied with socket plugs, which can be simply removed for use on site.



MODEL: **AIC160600SP**
Inspection Chamber for use with 160mm and 110mm EN 1401 pipe systems

Description

600mm diameter - Factory built inspection chambers, delivered to site as single piece units, ready to install, no assembly required.

This model has an injection moulded chamber base, which has 160mm socket connections to main channel and two optional 110mm side connections at 90° and two 110mm connections at 45°. All side inlets are supplied with socket plugs, which can be simply removed for use on site.



MODEL: **AIC600200B**
Inspection Chamber for use with 200mm single wall PVC-U pipe systems, including Funke HS

Description

600mm diameter - Factory built inspection chambers, delivered to site as single piece units, ready to install, no assembly required.

All chambers feature a robust, impact resistant, rotamoulded base. Chamber base comes with a 200mm main channel, with spigot connections which accept a 200mm PVC-U single wall pipe fitting. The chamber also has two optional 200mm side connections @ 90°, which can also be supplied as 150mm twinwall, for surface water connections. Side inlets are supplied with blind ends, for cutting on site. Adaptors and rocker pipes can be supplied, to offer various side inlet connections.



Reduction Cap - 600450RC

Effective Height 285mm

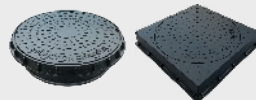


Restriction Cap - 600RCC

Restriction Caps & Access Covers

Chambers deeper than 1500mm require a Restriction Cap - 600RCC, to comply with DCG - Design & Construction Guidance.

Optionally, chambers can be supplied with a Reduction Cap - 600450RC, which will accommodate either, a circular or square section cover, both have the required 350mm diameter restricted access.



Adaptors

Adaptors and rocker pipes are available channels to allow connection to 150mm UltraRib and 150mm twinwall. AIC110600SP and AIC160600SP, can be adapted to offer, 225mm twinwall on outlet only.

Product Code	Main channel pipework Ø (mm)	Optional Side Inlets (mm)	Overall Depth (mm)	Pallet Qty	Approx. Weight
AIC110600B (Base only)	110	2 x 110 at 90° & 2 x 110 at 45°	478	12	7
AIC1106001SP	110	2 x 110 at 90° & 2 x 110 at 45°	1020	4	23
AIC11060015SP	110	2 x 110 at 90° & 2 x 110 at 45°	1500	2	32
AIC11060020SP	110	2 x 110 at 90° & 2 x 110 at 45°	1960	2	40
AIC11060024SP	110	2 x 110 at 90° & 2 x 110 at 45°	2415	N/A	48
AIC11060030SP	110	2 x 110 at 90° & 2 x 110 at 45°	3000	N/A	57



AIC160600B (Base only)	160	2 x 160 at 90° & 2 x 110 at 45°	545	12	7.5
AIC1606001SP	160	2 x 160 at 90° & 2 x 110 at 45°	1025	4	23.5
AIC16060015SP	160	2 x 160 at 90° & 2 x 110 at 45°	1440	2	32
AIC16060020SP	160	2 x 160 at 90° & 2 x 110 at 45°	1960	2	40
AIC16060024SP	160	2 x 160 at 90° & 2 x 110 at 45°	2350	N/A	48
AIC16060030SP	160	2 x 160 at 90° & 2 x 110 at 45°	2960	N/A	57



AIC600200B (Base Only)	200	200 or 150 twinwall	580	3	10
AIC600200B/1	200	200 or 150 twinwall	990	2	25
AIC600200B/1.5	200	200 or 150 twinwall	1510	1	34
AIC600200B/2	200	200 or 150 twinwall	1965	1	42
AIC600200B/2.4	200	200 or 150 twinwall	2355	N/A	49
AIC600200B/3	200	200 or 150 twinwall	3000	N/A	58

600RCC	Restriction Cap to 350mm Ø access	10	4
600SR	Sealing Ring for Restriction Cap to access shaft	30	3
300DC	300mm Ø Debris Cover	60	3
600450RC	Reduction Cap from 600mm to 450mm Ø access to accommodate - 450ACCRA and 450AC5RA	8	6.5

450ACCRA	450mm Ø access cover - circular with integral 350mm restricted access - A15 Loading	32	6.5
450AC5RA	450mm Ø access cover - square section with integral 350mm restricted access - A15 Loading	32	14



UR150160EN	Adaptor from 150mm Ultra Rib to 160mm EN 1401	80	1
TWR225160	160mm-225mm twinwall (Outlet only)	60	2
TW150160SPSP	Adaptor - 150mm twinwall to 160mm EN1401	60	0.5



600SERIES



MODEL: **AIC600250B**
Inspection Chamber for use with 250mm single wall PVC-U pipe systems, including Funke HS

Description

600mm diameter - Factory built inspection chambers, delivered to site as single piece units, ready to install, no assembly required.

All chambers feature a robust, impact resistant, rita moulded base. This model has spigot connections to 250mm single wall, PVC-U sewer pipe fittings on the main channel and two further 225mm side connections at 90°, for connection to various 225mm diameter pipe systems with adaptors. Side inlet spigots have blind ends that can be cut off on site if required.



MODEL: **AIC600315A**
Inspection Chamber for use with 315mm single wall PVC-U pipe systems, including Funke HS

Description

600mm diameter - Factory built inspection chambers, delivered to site as single piece units, ready to install, no assembly required.

All chambers feature a robust, impact resistant, rita moulded base. This model has spigot connections to 315mm single wall, PVC-U pipe fittings on the main channel and two further 225mm side connections at 90°, for connection to various 225mm pipe systems with adaptors. Side inlet spigots have blind ends that can be cut off on site if required.

Restriction Caps & Access Covers

Chambers deeper than 1500mm require a Restriction Cap - 600RCC, to comply with DCG - Design & Construction Guidance.

Optionally, chambers can be supplied with a Reduction Cap-600450RC, which will accommodate either a circular, or square section cover, both have the required 350mm diameter restricted access.

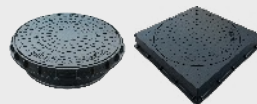


Effective Height 285mm

Reduction Cap - 600450RC



Restriction Cap - 600RCC



Adaptors & Rocker Pipes

Adaptors are available to fit various diameters from 110mm to 315mm and for pipework systems, including - UltraRib, Polysewer, Marley Quantum and FUNKE HS.

225mm rocker pipes are also available for side inlet connections.



Product Code	Main channel pipework Ø (mm)	Optional Side Inlets (mm)	Overall Depth (mm)	Pallet Qty	Approx. Weight
AIC600250B (Base Only)	250	2 x 225	650	3	10
AIC600250B/1	250	2 x 225	1090	2	25
AIC600250B/1.5	250	2 x 225	1570	1	34
AIC600250B/2	250	2 x 225	1960	1	42
AIC600250B/2.4	250	2 x 225	2350	N/A	50
AIC600250B/3	250	2 x 225	3000	N/A	59



AIC600315A (Base Only)	315	2 x 225	650	3	23
AIC600315A/1	315	2 x 225	1090	2	35
AIC600315A/1.5	315	2 x 225	1570	1	43
AIC600315A/2	315	2 x 225	1960	1	51
AIC600315A/2.4	315	2 x 225	2350	N/A	59
AIC600315A/3	315	2 x 225	3000	N/A	68

600RCC	Restriction Cap to 350mm Ø access	10	4
600SR	Sealing Ring for Restriction Cap to access shaft	30	3
300DC	300mm Ø Debris Cover	60	3
600450RC	Reduction Cap from 600mm to 450mm Ø access to accommodate - 450ACCRA and 450ACSRA	8	6.5
450ACCRA	450mm Ø access cover - circular with integral 350mm restricted access - A15 Loading	32	6.5
450ACSRA	450mm Ø access cover - square section with integral 350mm restricted access - A15 Loading	32	14

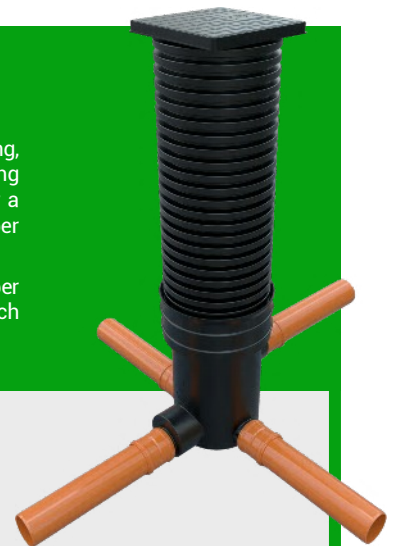


WSA138110	EPDM seal connection to 160mm EN1401 pipe	N/A	0.5
WSA180160	EPDM seal connection to 160mm EN1401 pipe	N/A	1
TW225225UR	Adaptor - 225mm twinwall to 225mm UltraRib	60	2
TW225225PS	Adaptor - 225mm twinwall to 225mm Polysewer	60	2
TW225225MQ	Adaptor - 225mm twinwall to 225mm Marley Quantum	60	2
TWR225160	225mm twinwall to EN1401 160mm pipe socket	60	2
TWR225150	225mm twinwall to 150mm twinwall pipe socket	60	2
TWR300225	300mm to 225mm twinwall pipe socket	40	3
TW300300UR	Adaptor - 300mm twinwall to 300mm UltraRib	40	3.5
TW300300PS	Adaptor - 300mm twinwall to 300mm Polysewer	40	3.5
TW300315HS	Adaptor - 300mm twinwall to 315mm FUNKE HS	40	3.5
225TWRP	225mm TW rocker pipe and seal	40	1.5

Sampling & Distribution chamber

Sampling Chambers - Installed after the outlet of a septic tank or sewage treatment plant, to allow necessary sampling, to check the quality of the discharge from the system before it enters the watercourse. The inlet of the sampling chamber must be a minimum of 150mm up from the base of the chamber and also protrude into the chamber a minimum 75mm, to facilitate a sampling vessel/cup. There should be no sump in the base of a sampling chamber and the outlet should be level with the base.

Distribution Chamber - Provides for the distribution of pre - treated sewerage effluent from Septic Tanks. The chamber outlets when connected, will discharge effluent into and through a designed 'drainage field', of perforated pipes, which then percolates into the ground.



Sampling Chamber

Distribution Chamber

Access Cover
Square section & lockable
- A15 Loading



Chamber Bases
Bases are Rota Moulded from polyethylene, making them very robust and impact resistant.



Robust twinwall access shaft

Allows for granular surround. The profile makes the shaft easy to cut to required depth

Sampling Point

The inlet has a 75mm internal throat, that allows for sampling vessel to get under the pipe, to catch the incoming treated effluent

Connections to Drainage Field
110mm EN 1401 spigots

Optional 160mm connections

Outlet level with base

Sampling & Distribution chamber



MODEL: ASDC300
For use with 110/160mm EN 1401 pipe systems

Description

350mm diameter, combined sampling and distribution chamber, delivered to site as a single piece unit, ready to install with no assembly required. The chamber features a robust, impact resistant, rota moulded base, with the choice of 110mm and 160mm EN 1401 main pipe connections.

There are two further 110mm moulded spigots at 90°, at the base of the unit. These side outlets are for use as a Distribution Chamber, used for releasing final effluent into a designed Drainage Field, the pipe connections come with blind ends for cutting on site, as required.

The base unit only can be supplied separately and can be used with most UK 300mm diameter twinwall pipe systems, for the access shaft.

Product Code	Description	Pallet Qty	Approx. Weight
--------------	-------------	------------	----------------

ASDC30015SP Chamber with 110mm or 160mm main inlet and outlet and 2 x 110mm side outlets. (Supplied with square section - A15 loading access cover).

7 13



Overall Depth with cover - 1465mm
Inlet Invert - 1225mm

ASDC300B Base unit only. Comes with 110mm or 160mm main inlet and outlet and 2 x 110mm side distribution outlet

18 4.5



Overall Depth - 604mm
Inlet Invert - 374mm

Access Cover

A square section A15 Loading access cover is supplied with the ASDC30015SP and can be supplied separately.

300ACSR 355mm - Square lockable access cover- A15 loading

60 3.5



Access Shafts & Couplings

Overview

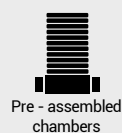
For deeper chambers and for chambers where shafts may need to be supplied separately, we provide a range of factory finished access shafts. These shafts are cut and trimmed in our factory, ready for use and come in 1000mm, 1500mm & 2000mm lengths. These access shafts are available for all our chamber diameters (As detailed below).

We provide a range of couplings for these shafts, to connect to existing chambers. Couplings can be provided with, or without seals.

These access shafts are also ideal for use as shuttering for road signs, and posts and when filled can be used as an effective barrier for restriction to site entrances.



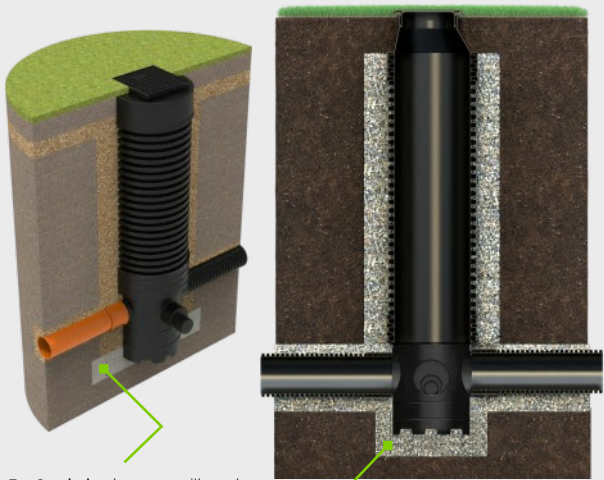
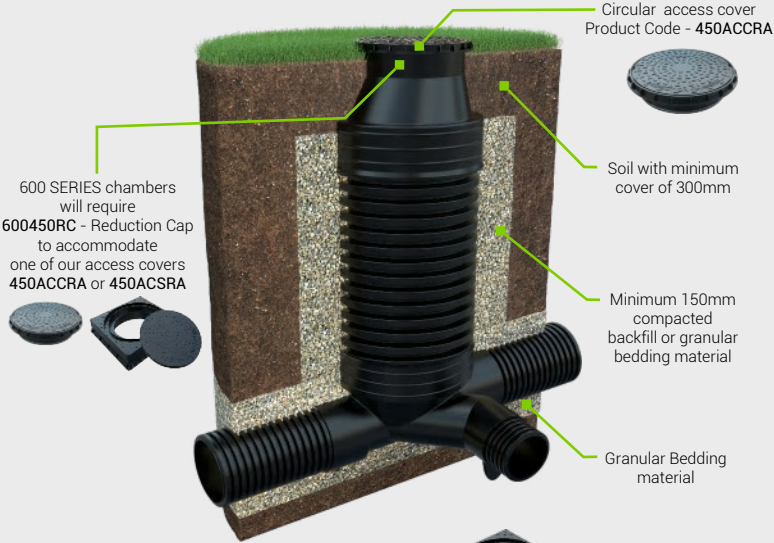
	Product Code	Description	Approx. Weight
300 SERIES	300AS1	300 SERIES access shaft - Length 1000mm	5
	300AS15	300 SERIES access shaft - Length 1500mm	7.5
	300AS2	300 SERIES access shaft - Length 2000mm	10
	300DC	300 SERIES shaft coupling	1.5
	300SR	Sealing ring for coupling (2 required per coupling)	1.5
	450 SERIES	450AS1	450 SERIES access shaft - Length 1000mm
450AS15		450 SERIES access shaft - Length 1500mm	16.5
450AS2		450 SERIES access shaft - Length 2000mm	22
450DC		450 SERIES shaft coupling	5
450SR		Sealing ring for coupling (2 required per coupling)	2
600 SERIES		600AS1	600 SERIES access shaft - Length 1000mm
	600AS15	600 SERIES access shaft - Length 1500mm	27
	600AS2	600 SERIES access shaft - Length 2000mm	36
	600DC	600 SERIES shaft coupling	12.5
	600SR	Sealing ring for coupling (2 required per coupling)	3
	750 SERIES	750AS1	750 SERIES access shaft - Length 1000mm
750AS15		750 SERIES access shaft - Length 1500mm	42
750AS2		750 SERIES access shaft - Length 2000mm	56
750DC		750 SERIES shaft coupling	18
750SR		Sealing ring for coupling (2 required per coupling)	6
1050 SERIES		1050AS1	1050 SERIES access shaft - Length 1000mm
	1050AS15	1050 SERIES access shaft - Length 1500mm	78
	1050AS2	1050 SERIES access shaft - Length 2000mm	104
	1050DC	1050 SERIES shaft coupling	30
	1050SR	Sealing ring for coupling (2 required per coupling)	9



General Installation Guidance

Landscaped

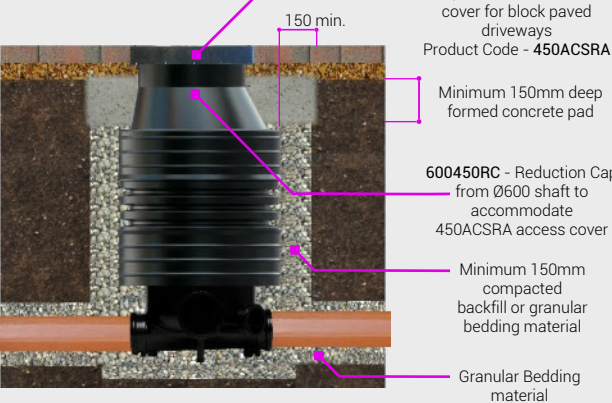
Non - trafficked - pedestrian loading only



For Catchpits the sump will need a minimum 150mm sub base and surround, which dependant on ground conditions, will be either, granular bedding material or ... in high water tables, we advise a 150mm thick concrete base

Driveway

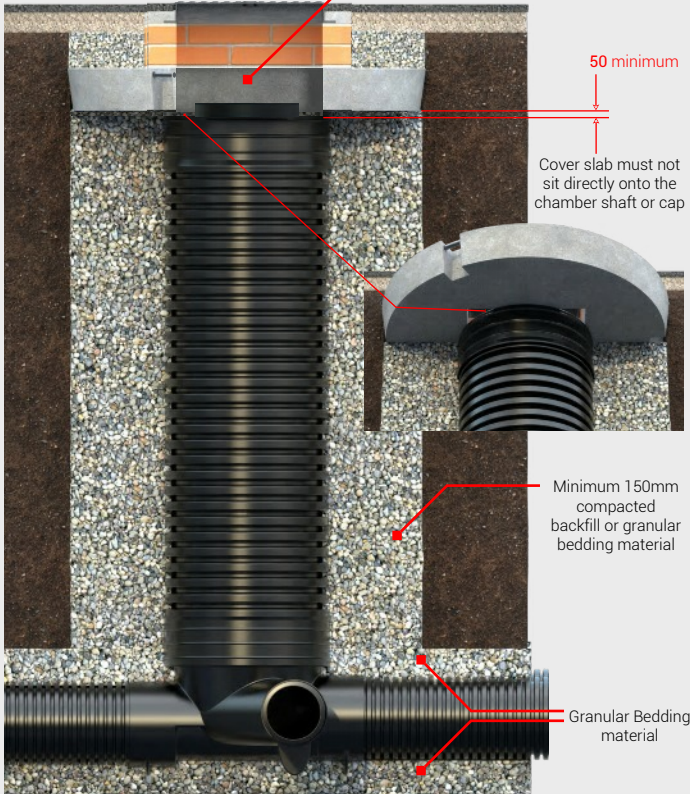
Light - traffic/cars - 1.5 tonne wheel load - A15



Trafficked

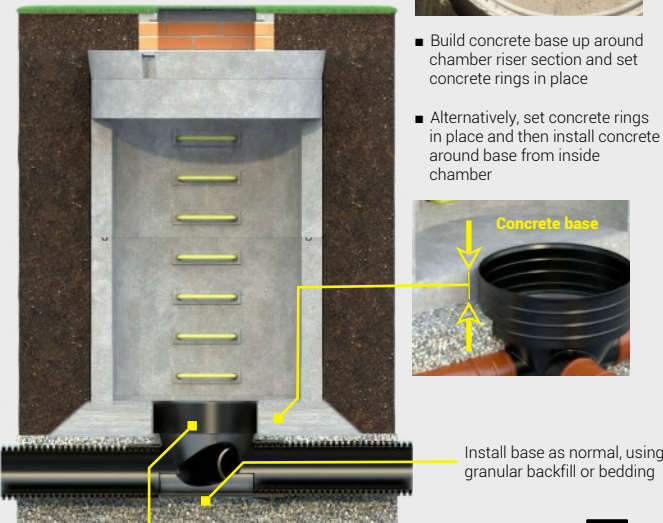
Vehicles to 40 tonne wheel load - D400

Final installation of cover slab etc, should be agreed with the design engineer. Details of advised inspection chamber installations can be found in - DCG - Design & Construction Guidance and Section H of Building Regulations



PCC Manhole

Using Accesso chamber base



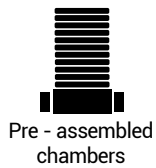
Accesso chamber base
Model shown AIC600300B,
which accommodates
300mm twinwall





ACCESSO

— CHAMBER MADE —



Pre - assembled chambers



Lightweight, quick and easy to install



No plant or lifting equipment required

DCG

Designed to meet Adoptable Standard

60_{yr}

Design Life



Made in the UK

DRAINNOVATION

Delivering innovative drainage and water management products and solutions