

## Limited Warranty

### Pegasus 2 Smart Massage Lounger

#### Consumer Limited Warranty: ONE-YEAR WARRANTY

This warranty guarantees that the product purchased is to be free from defects in material and workmanship under normal usage and local voltage for a period of one year. This warranty expires in TWO (2) years on parts, and ONE (1) year on labor after the date of purchase.

U.S. Jaclean, Inc. (referred to as "the Warrantor") will repair this product with new or rebuilt parts in case of defects in material or workmanship, free of charge, in the USA provided that:

- 1) The product is operated in accordance with the printed instructions supplied.
- 2) The product is used under normal conditions for which designed.
- 3) The product is not subjected to misuse, negligence, or accident.
- 4) The product receives proper care, protection, and maintenance.

This warranty is extended to the original end-user when purchased from an authorized U.S. Jaclean, Inc. distributor. A purchase receipt or other proof of date of the original purchase is required for service and parts replacement under this warranty. This warranty does not cover shipping charges for defective items if a claim is made more than 30 days after the date of purchase.

This warranty only covers failures due to defects in materials and workmanship, and does not cover normal wear or cosmetic damages. This warranty does not cover damages which occur in shipment, or failures which result from: accident, misuse (including, without limitation, failure to comply with instructions and use limitations contained in the Operating Instructions), abuse, neglect, mishandling, faulty installation, set-up adjustments, improper operation or maintenance, alteration, modification, power line surge, lightening, improper line voltage, commercial use such as hotel, office, restaurant, or other business or rental use of product, service by anyone other than from U.S. Jaclean, Inc., or damage that is attributable to "acts of God." Continued use of this product after discovering a defect voids this warranty. This warranty gives you specific legal rights, and you may also have other rights which may vary from state to state.

**IMPORTANT: DO NOT return defective product to the store.  
Contact U.S. Jaclean, Inc. for repair services.**

Please retain this Warranty Certificate, together with the original purchase receipt, and present it to our technician for inspection during service.  
For assistance and more information, please contact U.S. Jaclean, Inc.

Online warranty registration at: [daiwamassage.com](http://daiwamassage.com)

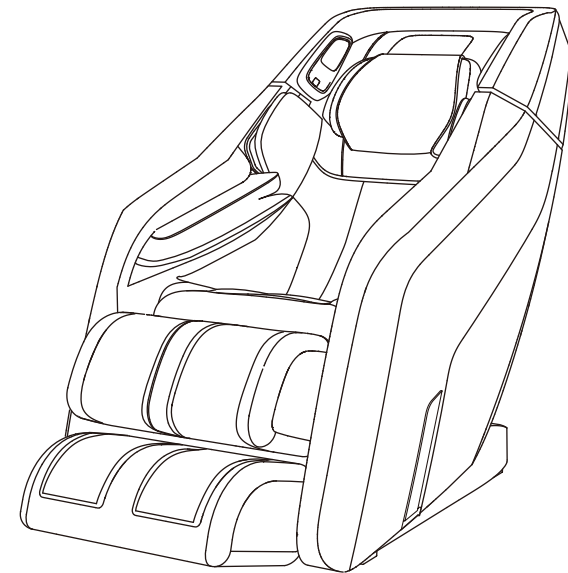


Distributed by U.S. Jaclean, Inc.  
1816 West 135th Street  
Gardena, CA 90249

**1-833-542-1918**

9AM - 5PM PST (Monday - Friday)

[daiwamassage.com](http://daiwamassage.com)



## MASSAGE LOUNGER

Before operating this unit, please read these instructions completely.

\* Due to continuous quality improvement, the specifications and part names in this instruction manual may be different than the actual product

Operating Instructions

PEGS-2

## TECHNICAL SPECIFICATIONS

---

Product name: Pegasus 2 Smart Massage Lounger

Product model: PEGS-2

Rated voltage: 110-120 V~

Rated frequency: 60 Hz

Rated current: 1.5 A

## **DAIWA PEGASUS 2 SMART**

---

Thank you for purchasing the Pegasus 2 Smart Massage Lounger. Before using this chair for the first time, please read through all sections of this User Manual carefully, paying special attention to the Safety Instructions.

PLEASE RETAIN THIS MANUAL FOR FUTURE REFERENCE.

## **CONTENTS**

---

<b>IMPORTANT SAFETY PRECAUTIONS</b> .....	1
<b>PARTS</b> .....	3
Exterior Parts .....	3
Interior Parts .....	3
Main Controller .....	4
<b>OPERATION</b> .....	5
Controller Operation .....	5
Display Screen Operation .....	6
Voice Command .....	11
<b>SETUP</b> .....	13
Massage Chair Placement .....	13
Installation .....	14
Grounding Instructions .....	18
Initial Operation .....	19
Relocating .....	20
<b>STORAGE AND MAINTENANCE</b> .....	21
<b>TROUBLESHOOTING</b> .....	22
<b>TECHNICAL SPECIFICATIONS</b> .....	24
<b>WARRANTY</b> .....	25

## ▶ IMPORTANT SAFETY PRECAUTIONS

- ▶ Basic precautions should always be followed when using an electrical unit, including the following.
- ▶ Please ensure that you read all instructions before using the Pegasus 2 Smart.

**⚠ DANGER** – To reduce the risk of electric shock:

1. Always unplug this unit from the electrical outlet immediately after using and before cleaning.

**⚠ WARNING** – To reduce the risk of burns, fire, electric shock, or injury to persons:

1. Always insert the power plug all the way into the outlet to reduce the risk of short-circuit and fire.
2. The unit should never be left unattended when plugged in. Always unplug the unit when not in use.
3. The unit is not to be used by people who cannot move or communicate on their own.
4. Only use the unit for the purpose described in these instructions.
5. Do not stand on the unit.
6. Always return the seat to the upright position and make sure the legrest is completely retracted. Be careful that nothing is obstructing the legrest while retracting. Keep children away from the legrest.
7. Never operate the unit if it has a damaged power cord or plug. Return the unit to the nearest authorized service center if it is not working properly, if it has been dropped or damaged, or if it has been immersed in water.
8. Keep power cords away from heated surfaces. Do not drag the unit by the power cord.
9. Never block the air openings during operation and make sure that all air openings are kept free of lint and hair, etc. Do not drop or insert anything into any of the openings of the unit.
10. Do not use the unit on top of heating appliances, such as electric carpets, etc. Do not operate the unit under a blanket or pillow. Excessive heating can occur and cause fire, electric shock, or injury to persons.
11. Do not use the unit in bathrooms or other damp or humid places as this may cause electric shock or cause the unit to malfunction. Do not spill water, etc. onto the controller.
12. Do not use the unit outdoors.
13. Do not use or operate where aerosol spray products are being used or where oxygen is being administered.
14. When unplugging the unit, turn off all controls before removing the plug from power outlet. Do not use the unit with a transformer as this may lead to malfunction or electric shock.
15. Connect this unit to a properly grounded outlet only. See Grounding Instructions.
16. Use heated surfaces carefully. May cause serious burns. Do not use over insensitive skin areas or in the presence of poor circulation. The unattended use of heat by children or incapacitated persons may be dangerous.

## ▶ TROUBLESHOOTING

No.	Problem	Check the following:	Explanations / Remedies
1	Noises are heard during operation	N/A	These noises are normal and arise from friction between the massage rollers and the leather cover.
2	Operation fails to start	Has the power plug slipped out of the wall outlet? Is the power switch in the "off" position? Has the fuse blown out?	Connect the power plug securely to the wall outlet. Switch power to the "on" position. Replace the fuse with another of the same type.
3	Airbags within the seat and the legrest fail to work properly	Are the air tubes blocked?	Clean out the air tubes.
4	Airbags within the seat and the legrest fail to work properly	The massage chair has detected some error that it is unable to display.	Turn off power, then turn it on again. If the problem persists, disconnect the power plug from the wall outlet and contact an authorized repairman

If you encounter problems operating the Pegasus 2, please check the points above to see if they can be rectified. If the Pegasus 2 still malfunctions or does not work, please turn off the chair and remove the power plug from the electrical outlet. Contact U.S. Jaclean Repair Service at 833-542-1918 for assistance.

### **⚠ IMPORTANT**

Do not dismantle or attempt to repair the chair yourself. Doing so will void the warranty and U.S. Jaclean/Daiwa will not bear any responsibility for any subsequent consequences.

## STORAGE AND MAINTENANCE

### CLEANING

- ▶ Before cleaning, switch off power and remove the power plug from the wall outlet.
- ▶ Dip a soft, cotton cloth in neutral detergent and wring dry. Use it to wipe the pillow cushion, back cushion, armrests, legrests, and any plastic parts of the chair.
- ▶ Use a piece of wet cloth (without detergent) to re-wipe the pillow cushion and back cushion. Place them in a well-ventilated location for drying.
- ▶ Use a soft, dry cloth to re-wipe the armrests, legrests, and any plastic parts of the chair.
- ▶ Use a soft, dry cloth to wipe the controller, and the power supply box.

#### CAUTION

- ▶ Before any maintenance, always disconnect the power plug from the wall outlet.
- ▶ To avoid electric shock, never touch the power plug with wet hands.
- ▶ When cleaning the back cover of the massage chair, do not allow any detergent to seep into the power supply box.
- ▶ Do not use abrasive chemicals, such as benzene or alcohol, to clean this chair.
- ▶ Damage to the chair may result.
- ▶ DO NOT apply an iron or any other heated device to the chair.

### STORAGE

- ▶ Before putting into storage, wipe off all accumulated dirt and dust from the surface of the chair. Cover the entire surface of the chair with a dust cover (not included).

#### CAUTION

- ▶ Do not store the product under direct sunlight, nor in a location with high temperatures. Doing so may cause the upholstery to fade.

### MAINTENANCE

Upon detecting any of the following conditions during daily use, immediately turn off power, disconnect the power plug from the wall outlet, and contact an authorized repairman:

- ▶ A burning smell
- ▶ The power cord feels hot.
- ▶ Any other abnormal symptoms
- ▶ The cord is plugged in and the power switch flipped on, but no functions operate.

#### CAUTION

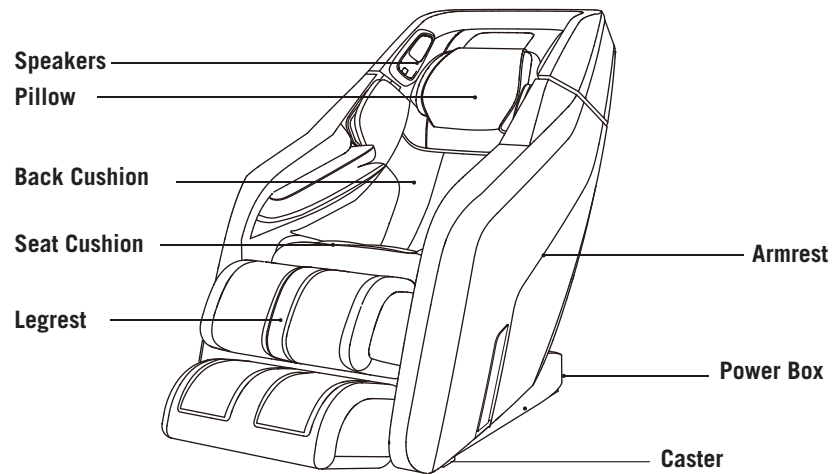
- ▶ Do not store the product under direct sunlight, nor in a location with high temperatures. Doing so may cause the upholstery to fade.

## IMPORTANT SAFETY PRECAUTIONS

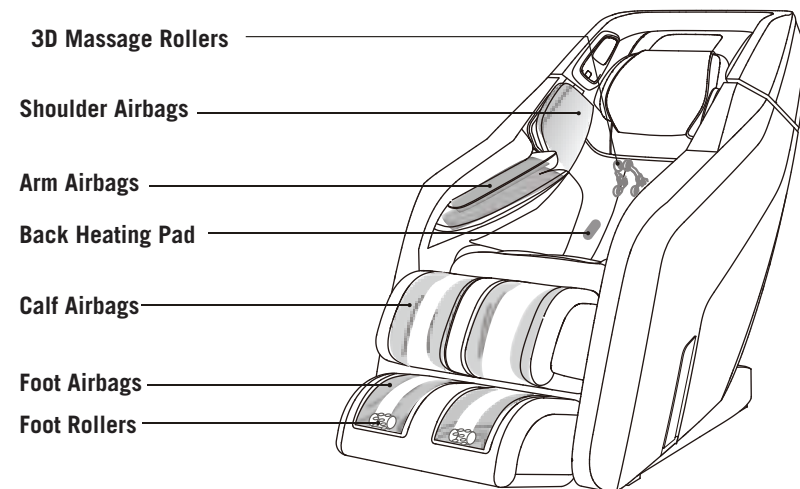
1. Persons with any of the conditions listed below or who are undergoing medical treatment or suffer from medical conditions should consult with their physicians before using the unit:
  - a) Pregnant women, people who are ill, or those in poor physical shape.
  - b) People suffering from back, neck, shoulder, or hip pain.
  - c) People who have a pacemaker, defibrillator, or other personal medical devices prone to electronic interference.
  - d) People suffering from heart disease.
  - e) People who are prohibited from receiving massage by a physician due to thrombosis or aneurysm, acute varicose veins, or other circulatory disorders.
  - f) People with irregular curvatures of the spine.
  - g) People who have a loss of heat sensation.
2. This unit should not be used by children.
3. Sit down slowly after checking the position of the massage heads. Never put any part of your body between the massage heads as the squeezing action of the massage heads may cause injury. Never put your fingers or feet in the gap between the backrest and seat, the backrest and the armrest, the seat and cover under the armrest, or the gap beneath the legrest. Do not place your fingers or any part of your body in the mechanism below the legrest.
4. Do not use the unit against bare skin. While thin clothing may increase effectiveness, exposing the skin directly to the massager may irritate the skin. Do not use the unit while wearing anything hard on your head like a hair accessory, etc. Do not use the unit for massaging the head, abdomen, front neck, elbows or knees. Do not use excessively strong massage action on the back of the neck.
5. When using the body scanning function, always ensure that the shoulder position is correct. If the shoulder position is not correct, use the POSITION button to adjust it properly, or stop the massage function and re-try the body scanning function. You can adjust the shoulder position in this way in the auto program and manual operation. Failure to align the shoulder position correctly can lead to injury.
6. While using the massager, if the pressure seems too strong, the movement of the massage heads can be stopped at any time by pressing the Stop button.
7. Do not go to sleep while using the massage function.
8. Do not use the unit after drinking alcohol.
9. When the seat back is in a reclined position, do not sit on it or sit with your legs resting on the headrest. Do not sit on the legrest as the unit may fall over.
10. Do not allow children or pets to play on or around the unit, especially during operation.
11. Do not unplug the unit or turn it off during operation. Unplug the unit immediately if there is a power outage.
12. Do not allow children to play on this mechanized furniture or operate the mechanism. Legrest folds down on closing so that a child could possibly be injured.
13. Always leave in an upright and closed position, when not in use.
14. Keep hands and feet clear of mechanism. Only the occupant should operate it.
15. Remove hard objects, such as false fingernails, wristwatches or rings when massaging hands or arms. Empty pockets of hard objects when massaging the area of the seat or thighs.
16. When "Heat" massage heads are used, do not let the massage heads touch the same place for a long time. Low-temperature burn may occur.

## ▶ PARTS

### EXTERIOR PARTS



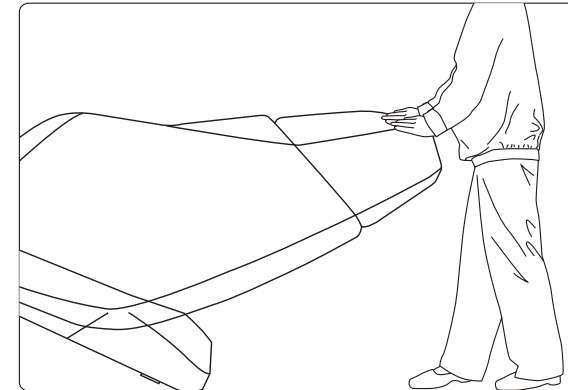
### INTERIOR PARTS



## ▶ SETUP

### RELOCATING

- ▶ Make sure that the backrest is in its highest upright position.
- ▶ Shut off power and remove the power plug from the wall outlet.
- ▶ Standing behind the back of the chair, grasp its backrest and tilt it downward, so that the front of the chair rises off of the floor. Push the chair to the location you desire. Move the chair by the wheels.



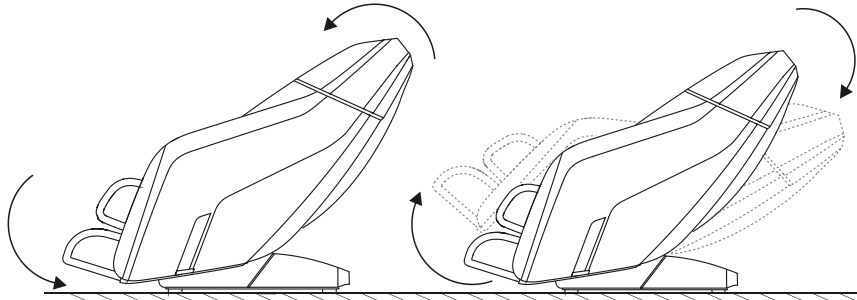
### ⚠ CAUTION

- ▶ Do not try to carry the chair on your own.
- ▶ Do not attempt to move the chair while someone is still sitting on it.
- ▶ While moving the chair, always grasp its backrest. Do not try to move the chair by grasping its armrests.
- ▶ Before plugging it in, inspect the entire power cord and plug for any possible damage. Make sure that no electrical wires are exposed.
- ▶ Make sure that the power supply switch is turned OFF before inserting the power plug into a wall outlet.

## ▶ SETUP

### INITIAL OPERATION

- ▶ Make sure there are no objects, people, or pets in the vicinity of the chair.
- ▶ Use the controller to lower the backrest to its furthest outstretched position. Raise the legrest to its highest position. Make sure that sufficient open space surrounds the chair on all sides. Make sure that the leg rest is properly connected to the main part of the chair.
- ▶ Return the chair to its original, upright position.

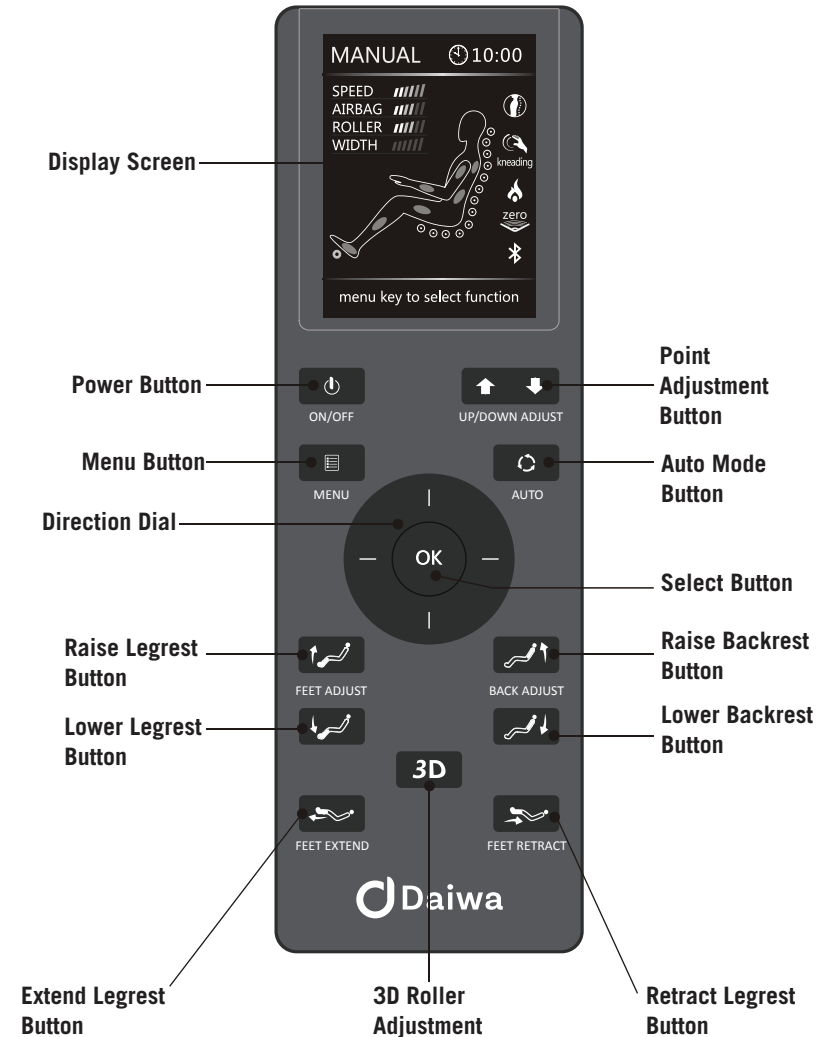


### ⚠ CAUTION

- ▶ Do not sit on the massage chair while the legrest is rising. To avoid possible damage, do not suddenly load the legrest with heavy weight.
- ▶ Do not allow children to play with this massage chair. If controls are tampered with, accident or injury arising from the power supply box may result.
- ▶ After your massage finishes its cycle, switch off power and remove the power plug from its wall outlet.
- ▶ Avoid operating this chair during rain and thunderstorms.
- ▶ When the chair is not in use, switch off power and remove the power plug from its wall outlet.
- ▶ If you do not plan to use the chair for an extended period of time, please put it into storage.
- ▶ Avoid dragging this chair across surfaces that can easily be damaged, such as wooden or carpeted flooring.
- ▶ To prevent electric shock, do not operate this chair within damp environments.
- ▶ Do not place this chair near a stove or other significant sources of heat. Do not expose the chair to prolonged sunlight. Damage to its leather cover may result.
- ▶ Do not hold on the legrest leg/sole massage section when moving the unit. If this is not observed, the section may slide as you move the unit, and injuries may occur. Do not drag or push the unit in an installed state. Protect your floor (place a mat or similar) when moving the unit on its wheels to avoid damage to your floor.

## ▶ PARTS

### MAIN CONTROLLER



## OPERATION

### CONTROLLER OPERATION



#### Power Button

- ▶ Press to turn on the unit. The display screen will light up. Use the Direction Dial to highlight your preferred massage mode and preference. Press the center OK key to select.
- ▶ Press again to turn off all functions.



#### Menu Button

- ▶ During any massage operation, press here to:
  1. Select a massage function
  2. Start or stop a feature during your current massage program



#### Point Position Adjustment Buttons

- ▶ While the Point Mode manual program is running, use to adjust your desired position of the point massage.



#### Auto Mode Button

- ▶ Press to access the chair's six automatic massage programs.



#### Direction Dial

- ▶ To navigate the menus on the controller, use the Up, Down, Left, or Right direction keys to move among selections. Press the center OK key to confirm a selection
- ▶ During a massage, press Up or Down to adjust the speed. Press Left or Right to adjust the airbag strength.



#### 3D Roller Adjustment Button

- ▶ Press to adjust the strength of the 3D rollers during an Auto Mode or Manual Mode massage program. During a 3D Mode massage program, roller strength is set automatically.



#### Raise Legrest Button

- ▶ Press and hold to raise the legrest to your desired position.



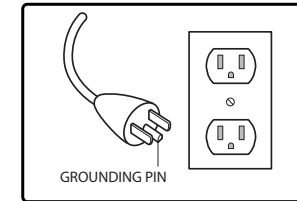
#### Lower Legrest Button

- ▶ Press and hold to lower the legrest.

## SETUP

### GROUNDING INSTRUCTIONS

This product must be grounded. If it should malfunction or break down, grounding provides a path of least resistance for electric current to reduce the risk of electric shock. This product is equipped with a cord having an equipment-grounding conductor and a grounding plug. The plug must be plugged into an appropriate outlet that is properly installed and grounded in accordance with all local codes and ordinances.



#### DANGER

- ▶ Improper connection of the equipment-grounding conductor can result in a risk of electric shock. Check with a qualified electrician or serviceman if you are in doubt as to whether the product is properly grounded. Do not modify the plug provided with the product – if it will not fit the outlet, have a proper outlet installed by a qualified electrician.
- ▶ This product is for use on a nominal 120-volt circuit and has a grounding plug that looks like the plug illustrated. Make sure that the product is connected to an outlet having the same configuration as the plug. No adapter should be used with this product.

### GROUNDING

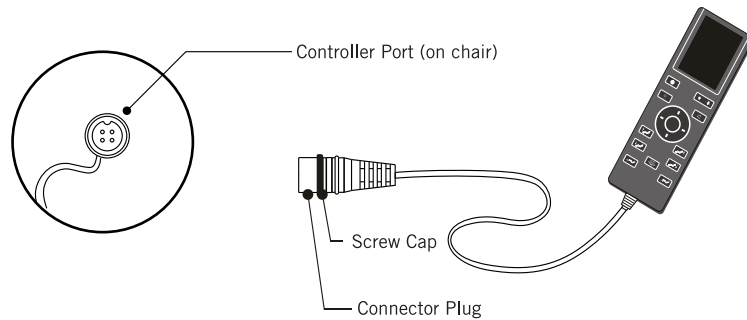
This massage chair belongs to Class 1 of the IEC Protection Class. Be sure to use a three-core power supply socket. To avoid electric shock, leakage, or other electric risk ensure the ground wire connected to the power supply has obtained a stable ground connection.



## ▶ SETUP

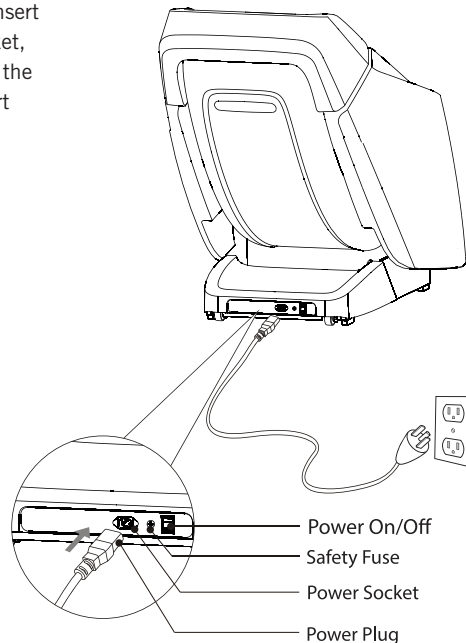
### 4. Installing the Controller Unit

- ▶ Connect the controller to the port on the inner side of the right, viewed from a sitting position, armrest. Use the Screw Cap to tighten the connection (see figure below).



### 6: Power Supply

- ▶ After all parts assembled, please insert the power cord into the power socket, and then turn on the switch, press the power on the remote control to start massage.



## ▶ OPERATION



### Raise Backrest Button

- ▶ Press and hold to raise the backrest.



### Lower Backrest Button

- ▶ Press and hold to lower the backrest.



### Extend Legrest Button

- ▶ Press and hold to extend the footrest if your legs need more room.



### Retract Legrest Button

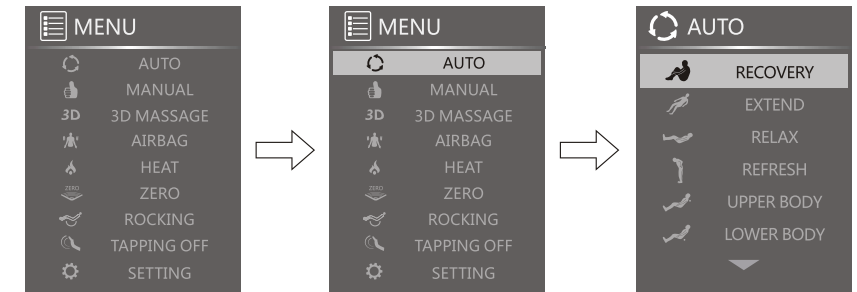
- ▶ Press and hold to retract the footrest.

## DISPLAY SCREEN OPERATION

Instructions: Navigate the menus using the Direction Dial. Press Right to go to the next sub-menu of your current selection and press Left to return the previous screen. Up and Down move through the listed options. Press OK to select.

## Automatic Programs

Press followed by to bring up the Automatic Programs menu.




Use the Direction Dial to choose one of the nine Auto Massage programs:

<b>RECOVERY</b>	(Warm up)
<b>EXTEND</b>	(Stretch)
<b>RELAX</b>	(Cool down)
<b>REFRESH</b>	(Light massage)
<b>UPPER BODY AUTO</b>	(Focused massage on the upper body)
<b>LOWER BODY AUTO</b>	(Focused massage on the lower body)
<b>ROYAL TREATMENT</b>	(Pressure Point back massage)
<b>STRESS RELIEF</b>	(Invigorating neck and shoulder massage)
<b>GENTLE CARE</b>	(Light back massage)



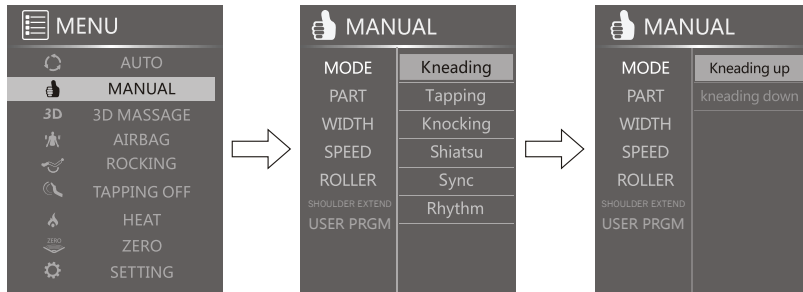
## ▶ OPERATION

### Manual Programs

Press  (Menu button) and scroll down to the Manual option.

Press the OK button to select.

Use the Direction Dial to choose a massage and press Right to select options.



#### MODE

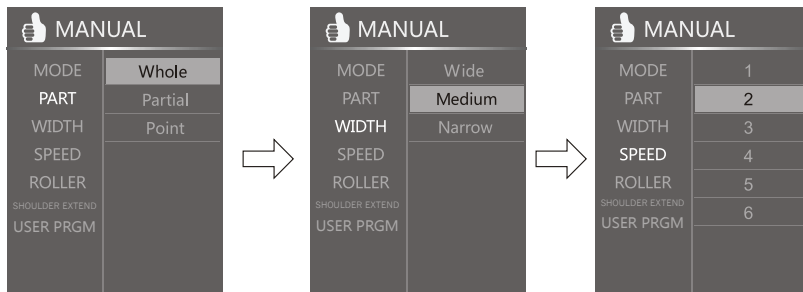
Use the direction Dial to choose between Kneading, Tapping, Knocking, Shiatsu, Sync or Rhythm.

#### KNEADING

Kneading offers the options of Kneading Up or Kneading Down.

#### PART

Part offers the option to massage the entire back or to focus on one area or a single point.



#### WIDTH

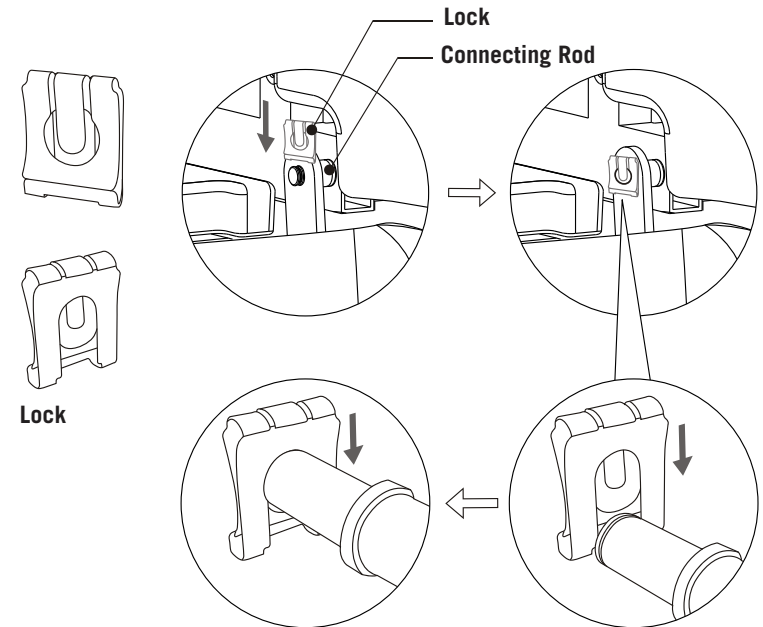
Width offers adjustments on how far the rollers spread out from the center.

#### SPEED

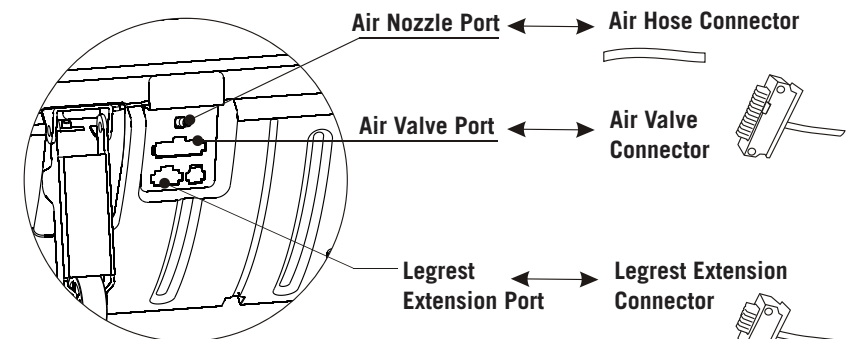
Adjust back roller speed levels from slow to fast, 1 to 6.

## ▶ SETUP

- ▶ After the legrest is in place, lock it in place by sliding the Lock onto the Connecting Rod.



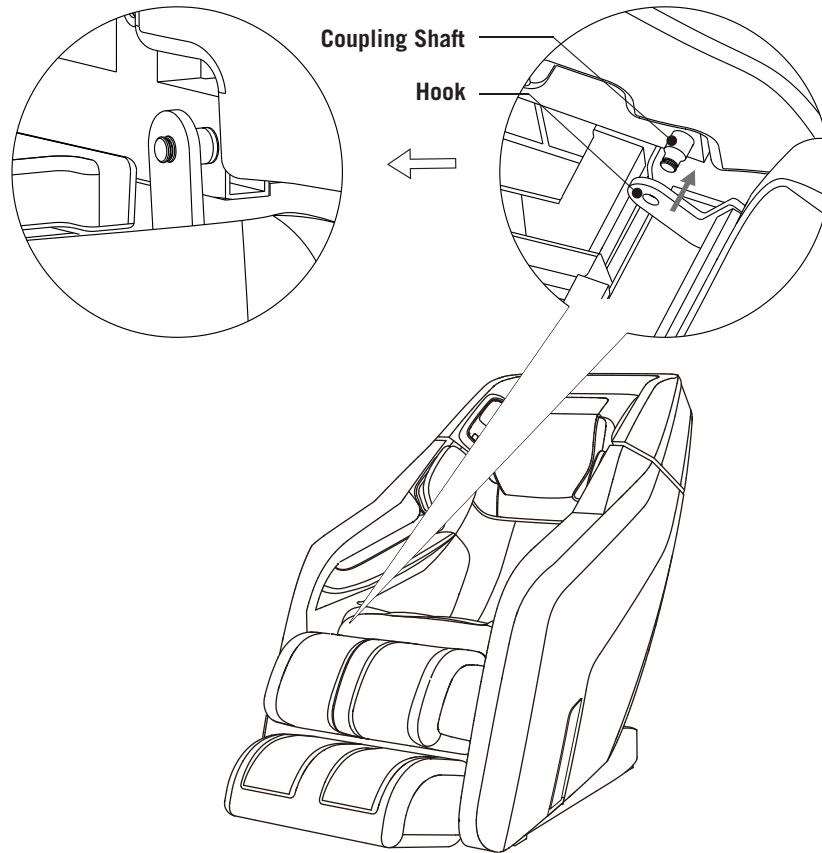
- ▶ After the legrest is locked, lift the legrest by reclining the chair. Attach the corresponding connectors to the ports located on the back of the legrest.



## ▶ SETUP

### 3. Installing the Legrest

- ▶ Lift the legrest and connect the legrest with the Coupling Shaft by hanging (Pay attention to balance).
- ▶ Move the Hook to one side of the Coupling Shaft, then attach the other side.



## ▶ OPERATION

### ROLLER

Foot rollers can be adjusted from speed levels 1-3, or turned off completely.

MANUAL	
MODE	1
PART	2
WIDTH	3
SPEED	Off
ROLLER	
SHOULDER EXTEND	
USER PRGM	

MANUAL	
MODE	Out
PART	In
WIDTH	
SPEED	
ROLLER	
SHOULDER EXTEND	

### SHOULDER EXTEND

Widen the airbag placement for broader shoulders. Select Out and press and hold OK to widen. Select In and press and hold OK to retract.

### Save a Custom User Program

In Manual mode, make any adjustments you wish to settings using the “Mode,” “Part,” “Width,” “Speed,” “Roller,” and “Shoulder Extend” menus. Once you have designed a massage program, select User Program (“User Prgm”), then select either Program A (“Prgm A”) or Program B (“Prgm B”) and select “Save.” To start a Custom Program, repeat the above steps but select “Start” under the desired User Program.

MENU	
AUTO	
MANUAL	
3D 3D MASSAGE	
AIRBAG	
ROCKING	
TAPPING OFF	
HEAT	
ZERO	
SETTING	



MANUAL	
MODE	PRGM A
PART	PRGM B
WIDTH	
SPEED	
ROLLER	
SHOULDER EXTEND	
USER PRGM	



MANUAL	
MODE	Save
PART	Start
WIDTH	
SPEED	
ROLLER	
USER PRGM	
SHOULDER EXTEND	

### 3D MESSAGE

Use the Direction Dial to choose one of the three 3D Massage programs: Deep Shiatsu, Breathe, or Revive.

### FORCE

Adjust the strength of the 3D rollers when you are in a Regular Auto massage mode or a manual massage mode. Select from 1-5.

MENU	
AUTO	
MANUAL	
3D 3D MASSAGE	
AIRBAG	
HEAT	
ZERO	
ROCKING	
TAPPING OFF	
SETTING	

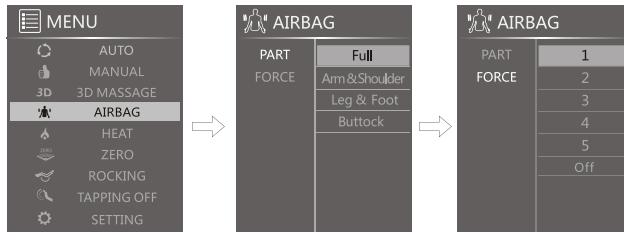
3D 3D MASSAGE	
MODE	Deep shiatsu
FORCE	Breathe
	Revive

3D 3D MASSAGE	
MODE	1
FORCE	2
	3
	4
	5

## ▶ OPERATION

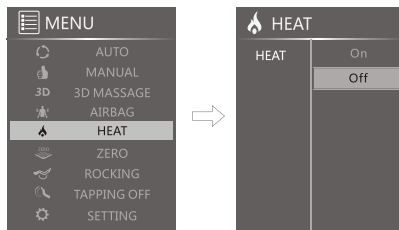
### AIRBAG

Massaging airbags can be adjusted to focus on a particular area only. You can also adjust the strength of the Airbags, or turn them off completely.



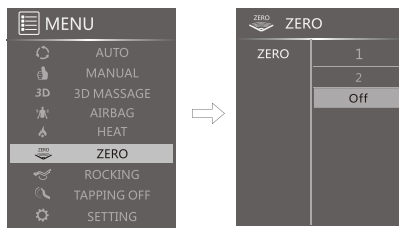
### HEAT

Use the Direction Dial to turn the Heat feature on or off.



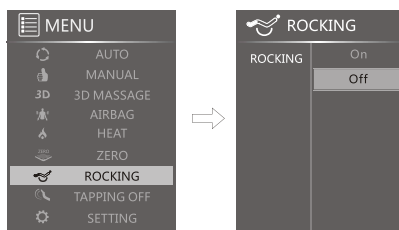
### ZERO GRAVITY

Use the Direction Dial to activate Zero Gravity recline mode 1 or 2, or select Off to return to the initial position.



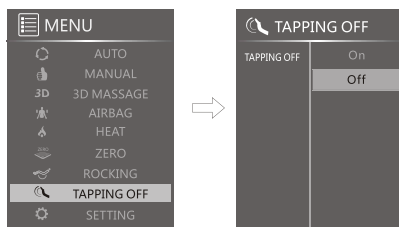
### ROCKING

Use the Direction Dial to turn Rocking on or off.



### TAPPING OFF

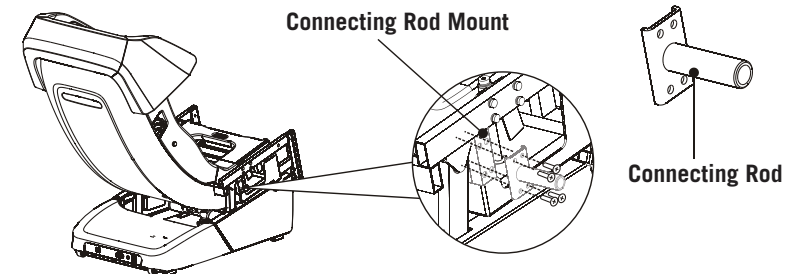
Use the Direction Dial to turn the Tapping massage function on or off.



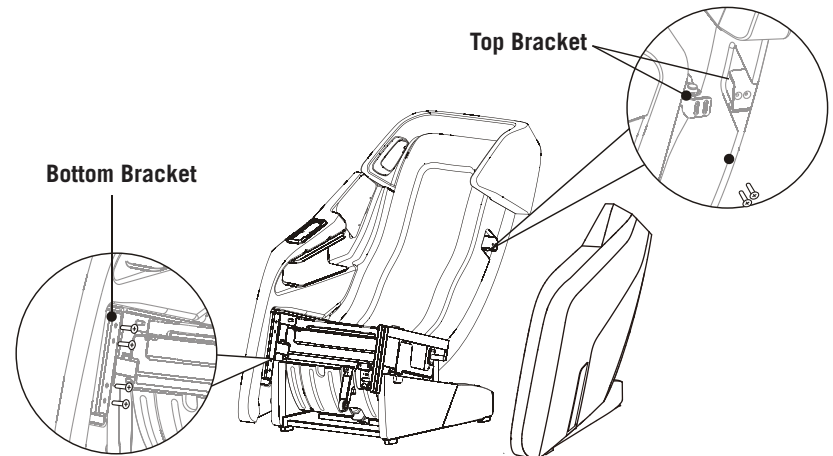
## ▶ SETUP

### INSTALLATION

- Carefully lift the chair and all its parts from their packaging.
  - ▶ Remove any protective wrapping. Locate the packing list. Check to make sure that all parts are present.
- Installing the Armrest
  - ▶ Attach the connecting rod to the connecting rod mount. Secure with 4 screws.
  - ▶ Connect the air tube and cable from the side of the main body to the armrest (not pictured).



- ▶ There are brackets located at top and bottom of the armrest to connect it to the main body. Attach the armrest to the top and bottom brackets. Secure with 4 screws on the bottom bracket, and 2 screws on the top bracket.

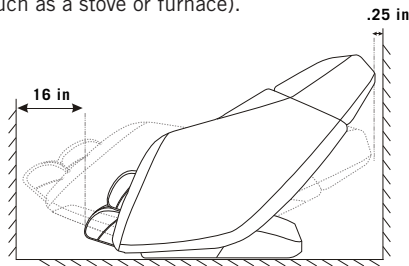


# ▶ SETUP

## MASSAGE CHAIR PLACEMENT

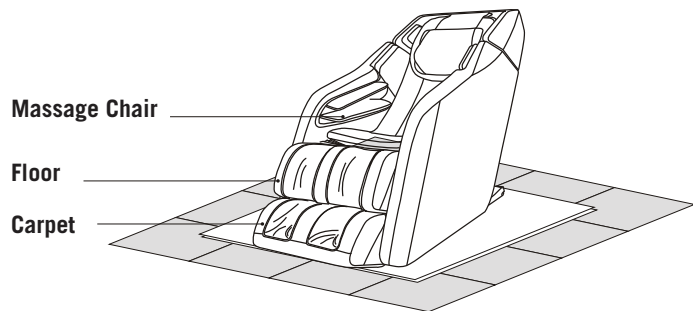
When looking for a location to place your massage chair, keep following in mind:

- ▶ The Pegasus 2 Smart features our unique “Wall Hugger” design, so it takes up much less space than a typical chair. To fully recline the chair, you should keep it .25 inches away from any wall, and allow about 16 inches in front of the legrest.
- ▶ To prevent wearing out the floor beneath the chair, we advise placing some cushioning material, such as a rug or plastic mat, underneath the chair.
- ▶ To prevent possible electrical leakage, do not place the massage chair in or near a damp environment, such as a bathroom.
- ▶ To prevent fire or damage to its leather material, keep the massage chair away from any sources of heat (such as a stove or furnace).



## WHERE TO USE THE UNIT

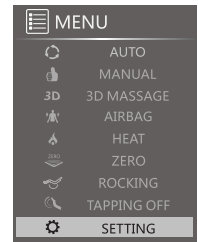
- ▶ Ensure adequate space to recline.
- ▶ Do not expose the massage lounger to direct sunlight or high temperatures, such as in front of heating sources, because this can cause discoloration or hardening of the synthetic leather.
- ▶ Place the unit on a mat to prevent floor damage.
- ▶ When placing a mat under the unit, The size of the mat should be sufficient [At least 3' x 5' to cover the areas where the unit touches and where the leg rest could touch the floor, as shown in the diagram on the right.
- ▶ Install the unit near a power socket.



# ▶ OPERATION

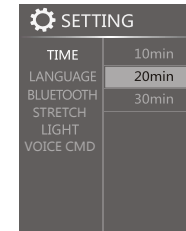
## SETTING

Settings allow you to change the duration, to set your language, to turn on Bluetooth, and to turn ambient lights on or off. Use the Direction Dial to navigate and set these options.



## TIME

Massage durations can be set to 10 mins, 20 mins, or 30 mins.



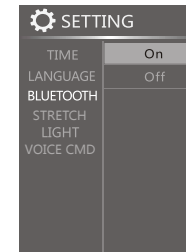
## LANGUAGE

Access alternate languages for the Controller.



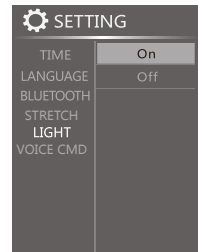
## BLUETOOTH

Turn Bluetooth on or off.



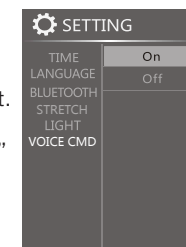
## LIGHT

Turn ambient colored lights at the base on or off.



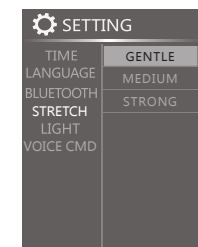
## STRETCH

The Stretch command adjusts the intensity of the angle of the Legrest. Select either “Gentle,” “Medium,” or “Strong.”



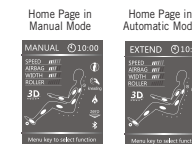
## VOICE COMMAND

To turn Voice Command (“Voice CMD”) on or off.



### Notes:

1. Upon making any selections within the Automatic or Manual Mode menus, after 10 seconds of inactivity, the display screen will return to the home page.
2. With the exception of the “Lower Auto” option, each automatic Program will begin with the movement of massage nodes along the backrest, in order to pinpoint the user’s shoulder position.



## ▶ OPERATION

### VOICE COMMAND

The Pegasus 2 Smart is the first chair to feature our newest technology. By using the Voice Command feature, you can quickly access your chair's most used settings without using the handheld controller. The Pegasus 2 Smart speaks multiple languages. Switch the language preference to Chinese, on the controller, to speak to the Pegasus 2 Smart in Chinese. Find the Chinese command list on [daiwamassage.com](http://daiwamassage.com).

#### Instructions

To activate Voice Command, say "Hello, Daiwa." The chair will respond and then will wait for a command. After activating, you have 15 seconds to say your command (see list below). After 15 seconds, it will deactivate and you will need to activate again with "Hello, Daiwa." Once activated, you can use more than one command, but only one at a time. After a command & reply, you can then say another command.

#### Tips

- For best results, use the exact terminology in the table above and speak clearly and loudly.
- You can use Voice Command to turn on the chair, but only if the chair is plugged in and the switch on the base of the Power Box is switched to "On."

#### List of Commands:

Your Command	Pegasus 2 Smart Reply	Description of Action
"Hello, Daiwa." *	Hello, what can I do for you?	Activates Voice Command feature and waits for a command.
"Turn on."	OK, turning chair on.	Turns on chair's main power.
"Power off."	OK, power off.	Turns chair's main power off.
"Recovery."	OK, recovery.	Starts an Auto massage program in Recovery Mode.
"Extend."	OK, extend.	Starts an Auto massage program in Extend Mode.
"Relax."	OK, relax.	Starts an Auto massage program in Relax Mode.
"Refresh."	OK, refresh.	Starts an Auto massage program in Refresh Mode.
"Upper body."	OK, upper body.	Starts an Auto massage program in Upper Body Mode.
"Lower body."	OK, lower body.	Starts an Auto massage program in Lower Body Mode.

## ▶ OPERATION

### List of Commands, Continued:

Your Command	Pegasus 2 Smart Reply	Description of Action
"Royal treatment."	OK, royal treatment.	Starts an Auto massage program in Royal Treatment Mode.
"Stress relief."	OK, stress relief.	Starts an Auto massage program in Stress Relief Mode.
"Gentle care."	OK, gentle care.	Starts an Auto massage program in Gentle Care Mode.
"Deep shiatsu." **	OK, deep shiatsu.	Starts a 3D Auto massage program in Deep Shiatsu Mode.
"Breathe."	OK, breathe.	Starts a 3D Auto massage program in Breathe Mode.
"Revive."	OK, revive.	Starts a 3D Auto massage program in Revive Mode.
"Airbag massage."	OK, airbag massage.	Starts a Manual Airbag-only Massage program in the Full-body setting.
"Zero gravity one."	OK, zero gravity one.	Reclines chair into Zero Gravity Position 1.
"Zero gravity two."	OK, zero gravity two.	Reclines chair into Zero Gravity Position 2.
"Start heat."	OK, start heat.	Turns on the heat function
"Heat off."	OK, heat off.	Turns off all heating features.

\*Pronounced [dye wuh] \*\*Pronounced [she-ot soo]

#### Alternative Voice Command Activation

Alternatively, you can activate Voice Command using a touch sensor button under the left speaker. Press or swipe the square button just below the left speaker grill and you will hear the chair respond, "Hello, what can I do for you." Speak one of the commands from the list and listen for confirmation.

