

Setup and assembling

Check the Main unit and accessories

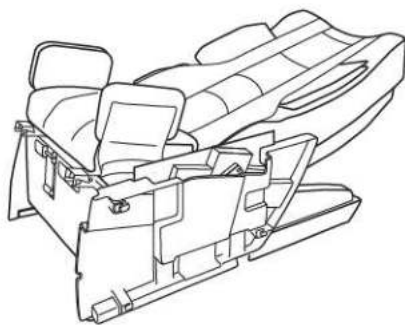
WARNING

Do not use accessories other than those which accompany the chair. Doing so may cause product malfunction.

User manual documents

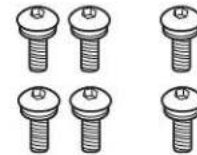
- User manual

● Whole

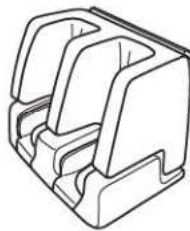


● Mounting screws

- Mounting screws for arm unit. (Longer one x 4pcs)
- Mounting screws for outer cover A. (Shorter one x 4pcs)
- Mounting screws for footrest. (Shorter one x 2pcs)



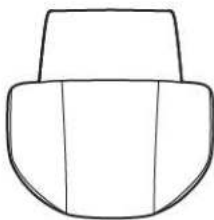
● Footrest



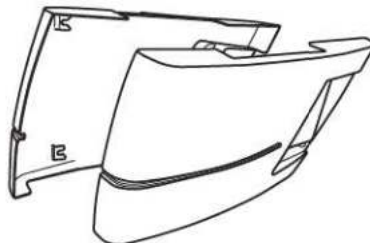
● Hex wrench



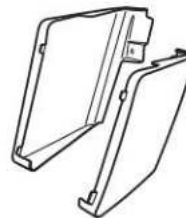
● Pillow



● Outer cover A (L/R)



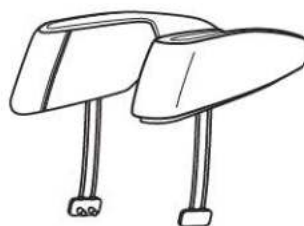
● Outer cover B (L/R)



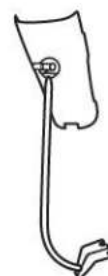
● Outer cover B Mounting screws (2pcs)



● Arm unit (L/R)



● Remote control stand



● Power cord clip



Deciding the setup place of whole unit

! DANGER

Do not use or store in the bathrooms or places of high humidity or moisture. Electrification, fire, accidents, and moulding may occur.

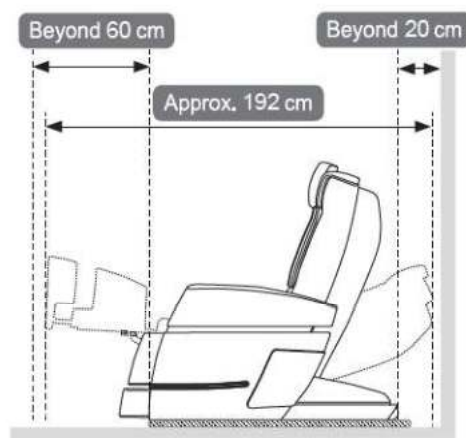
! WARNING

Use the chair on a level surface. Do not use outdoors. Damage or accidents may occur.

Do not close to stoves or other sources of fire, nor smoke whilst using the chair. Do not use on heated carpets or other heating equipment. Do not operate under blanket or pillow. Excessive heating can occur and cause fire, Electric shock, or injury to persons. Keep the cord away from heated surfaces. This may cause fire.

Keep space more than 20cm in the back so that the chair can recline and install/put the chair on the horizontal location.

- Footrest move up when the chair reclines. Keep space more than 60cm in the front and 20cm in the back before use.
- During reclining, even the foot rest raises.
- Do not setup the whole unit in places where there is direct sunlight every day, or near heat appliances or near high temperature. Failure to do so may lead to color change or quality degrading in main unit.



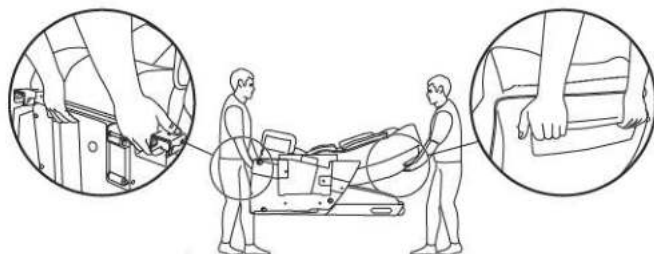
Whole Setup

! WARNING

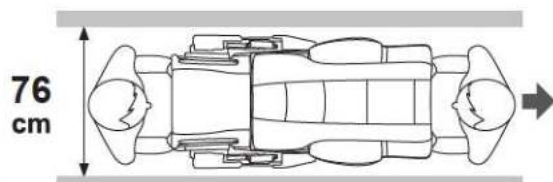
Do not move the chair while people or items are on the chair. Damage or injuries may occur.
Do not haul the chair itself or move with the casters on the floor where it easily gets scratches.
Do not pull the power chord or remote control chord with leg or wrap with caster.
Failure to do so may cause injury.

Lift up and move the chair with holding the handle in the front and back.

- Since it is a heavyweight unit, it should be carried by 2 or more persons.
- Watch your steps carefully and lower it slowly.

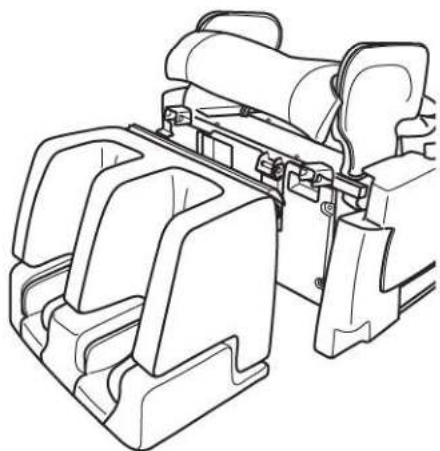


Frontage should be **76cm** or more (74cm width to carry the whole + 2cm width for protection)



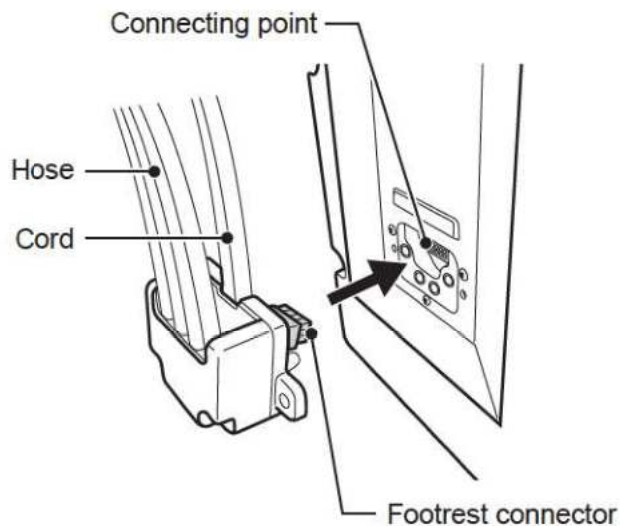
How to attach the footrest. (Power won't be on unless footrest is installed.)

- 1.** Locate the footrest in front of the body of the chair.



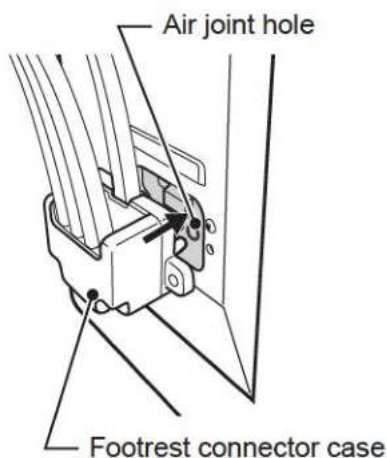
- 2.** Insert the footrest connector firmly until mounting sound is heard from the connecting point of connector.

- Make sure to hold the footrest connector itself and insert.
- Mounting sound is heard.
- Do not attach the hose or cord when they are twisted.



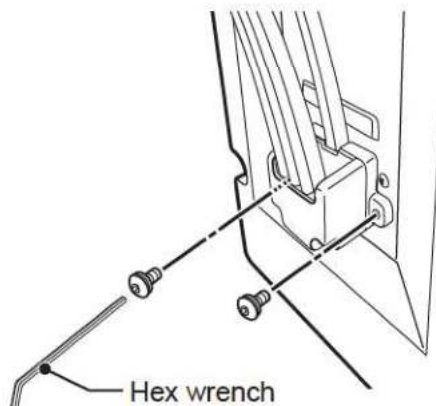
- 3.** Insert the footrest connector case into the main body.

- Insert the connector case not to crush the air joint hole. It may cause air leakage.
- Insert it not to pinch a cord.



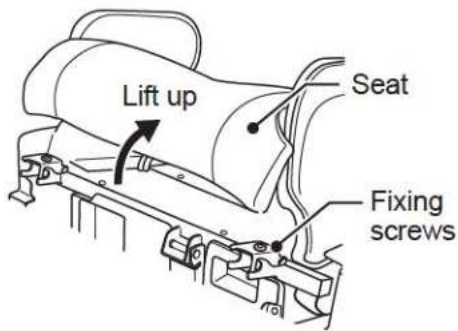
- 4.** Fix the footrest connector case and main body with mounting screws for footrest connector.

- Do not attach the hose or cord when they are twisted.



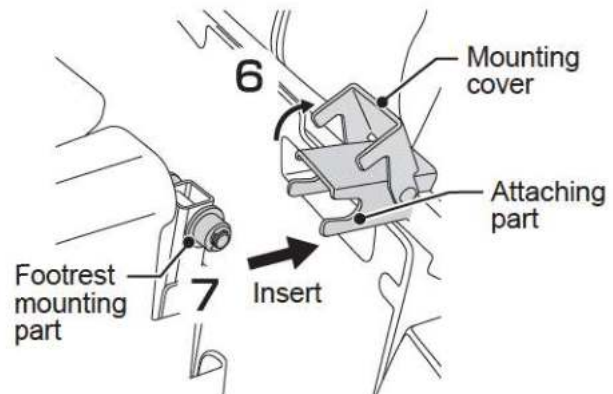
How to attach the footrest part (Continuation)

- 5.** Insert the footrest connector firmly until mounting sound is heard from the connecting point of connector.



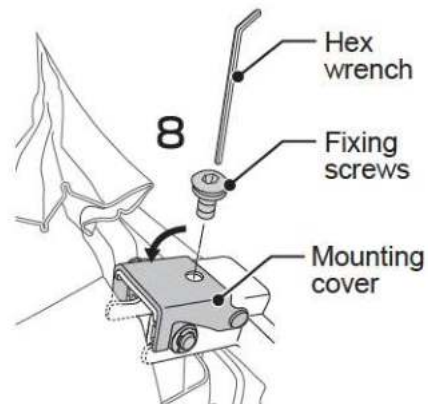
- 6.** Lift up mounting cover.
7. Insert the footrest mounting part into attaching part.

- Make sure to attach without gap.

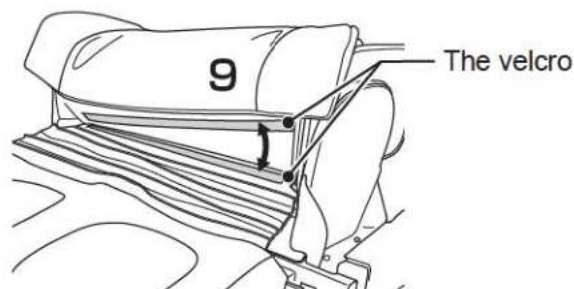


- 8.** Down the mounting cover and fix them with fixing screws by hex wrench. (1 pc each on left and right.)

- Make sure to lock them with fixing screws.
- Check the footrest mounting part does not come out from mounting cover. If it is not attached firmly, footrest falls down and it may cause injury or failure.
- Pay attention not to damage the seat by hex wrench.



- 9.** Put the velcro on the back of seat and another one on blindfold cover together.



Grounding instructions

! DANGER

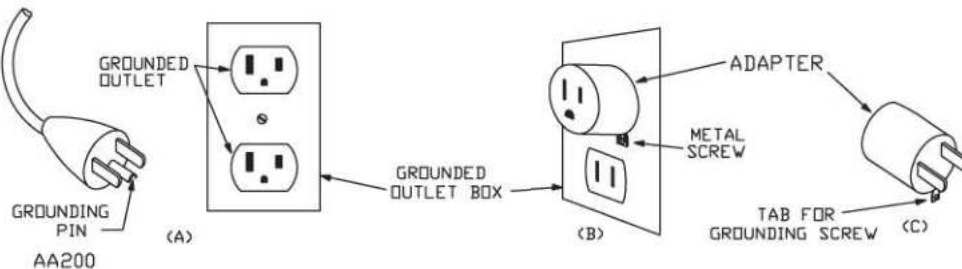
Improper connection of the equipment-grounding conductor can result in a risk of electric shock. Check with a qualified electrician or serviceman if you are in doubt as to whether the product is properly grounded. Do not modify the plug provided with the product – if it will not fit the outlet, have a proper outlet installed by a qualified electrician.

! WARNING

Ground should be installed firmly. When the ground is not installed, it may cause electric shock at the time of trouble and short circuit.

※ This product must be grounded. If it should malfunction or breakdown, grounding provides a path of least resistance for electric current to reduce the risk of electric shock. This product is quipped with a cord having an equipment-grounding conductor and a grounding plug. The plug must be plugged into an appropriate outlet that is properly installed and grounded in accordance with all local codes and ordinances.

Grounding methods



※ This product is for use on a nominal 120-V circuit, and has a grounding plug that looks like the plug illustrated in sketch A in Figure 86.1. A temporary adapter that looks like the adapter illustrated in sketches B and C may be used to connect this plug to a 2-pole receptacle as shown in sketch B if a properly grounded outlet is not available. The temporary adapter should be used only until a properly grounded outlet (sketch A) can be installed by a qualified electrician. The green colored rigid ear, lug, or the like extending from the adapter must be connected to a permanent ground such as a properly grounded outlet box cover. Whenever the adapter is used, it must be held in place by a metal screw.

When there is no ground terminal in the power outlet

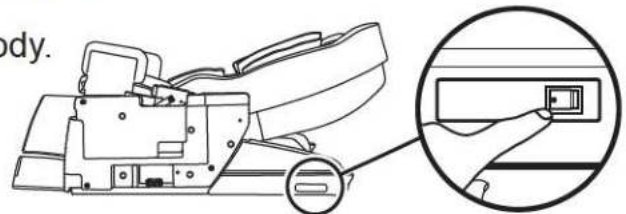
Before purchase, discuss with electric shop, dealer and do the grounding (D-Class<Class-D> installation work/cost).

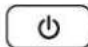
How to attach the footrest part (Continuation)


1. Insert the power plug of power cord into the outlet.

2. Turn 「ON」 the power switch of main body.

- Power switch is located in the lower part of main body on left side.



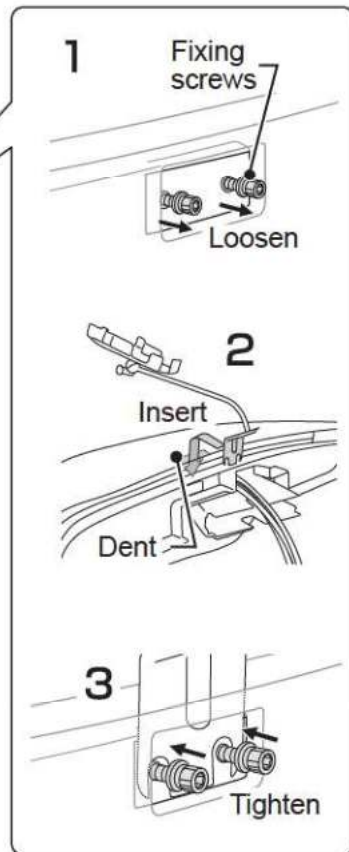
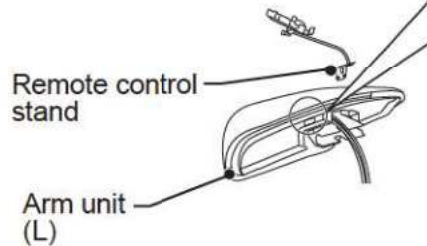
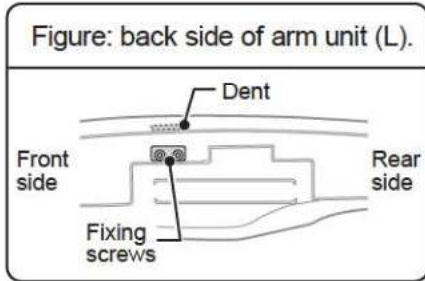
3. Press  button and turn the power on.

4. Press Reclining  button and recline up the backrest.

5. Turn 「OFF」 the power switch of main body and pull out the power plug from the outlet.

How to attach the remote stand. (It is attachable both left and right side.)

1. Loosen 2 fixing screws in the back of arm unit a bit.



2. Insert the remote control stand into the dent of armrest side and insert the remote stand into where it's done in the first procedure (1.)

- Pay attention not to damage the armrest when inset the remote control stand.

3. Tighten the fixing screws and secure the remote control stand and arm part.


- Secure them firmly.
- Remote control stand may come off and it may cause injury or damage.

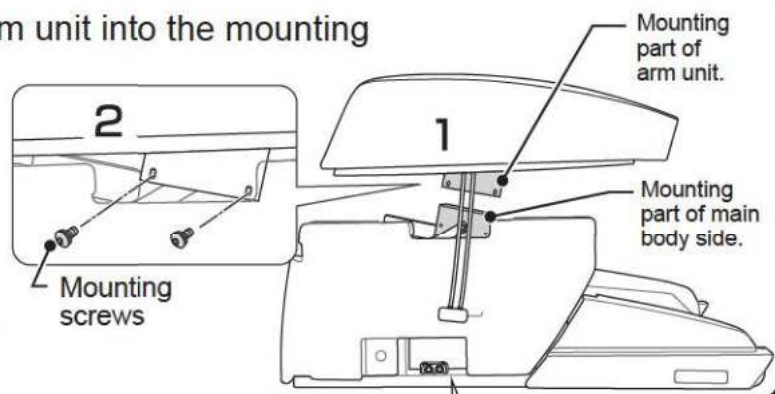
How to attach the arm part. (both left and right side.)

1. Insert the mounting part of arm unit into the mounting part of main body side.

2. Fix the mounting screws by hex wrench.

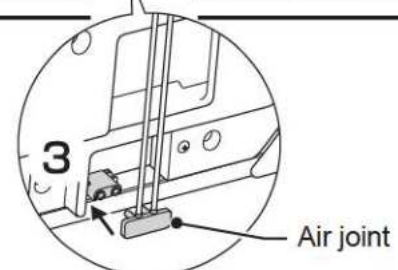
- If it is not attached firmly, arm part fall down and it may cause injury or damage.

Mounting screws for arm part (Longer one)  × 4 (2 pcs each for left and right side.)



3. Attach the air joint of main body and arm unit.

- Insert them firmly.
If it is not attached firmly, air leakage may happen and it may cause injury or damage.



How to attach the outer cover. (Both left and right side.)

1. Hook and catch the outer cover A with the hooks on the main body.(3 parts)

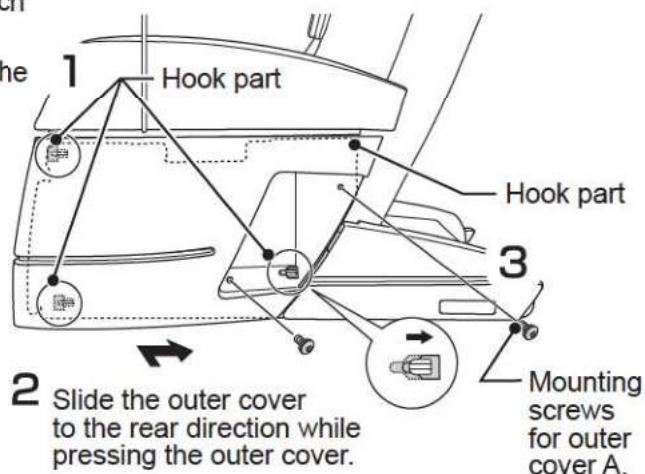
- Match the hook part in the rear side and match the 2 hook part in the front side.
- 2 hook parts of front side are located inside the outer cover A.

2. Slide the outer cover A to the rear direction while pressing the outer cover A to the main body.

- Make sure if the hook part of front side are fixed after slide it.

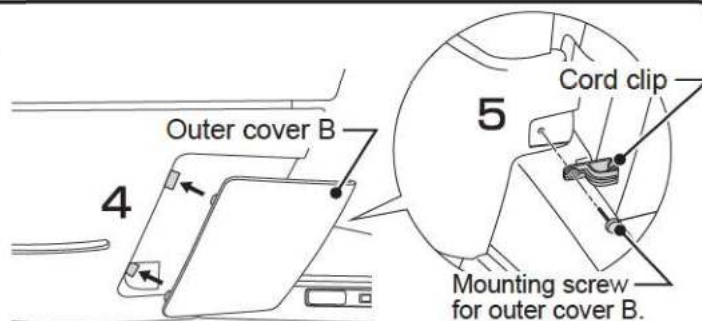
3. Fix the mounting screws for outer cover A by hex wrench. (2 location)

Mounting screws for outer cover. (Shorter one)



4. Attach the outer cover B. Hook the front side first.

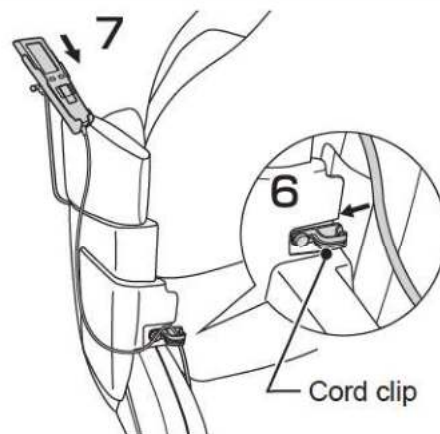
5. Fix the back side with mounting screw for outer cover B. Fix the cord clip together for the side which remote control stand is attached.



6. Hook the remote control cord to the cord clip which is attached with outer cover B.

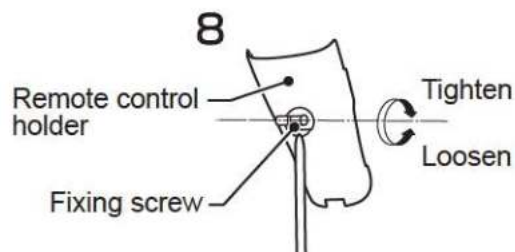
- Check if the cord clip is attached in the same side of remote control stand.
- Make sure to hook the remote control cord in the cord clip. If not, it may cause disconnection due to the interference with main body.

7. Place the remote control from the top onto remote holder.



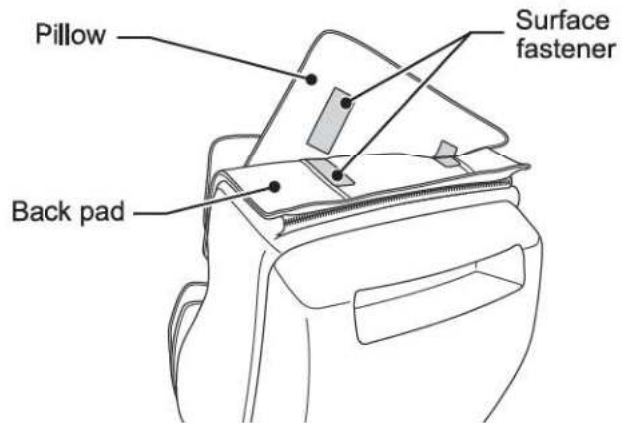
8. Screw the fixing screw and decide the remote holder position. Fix it in the favorite position.

- Pay attention not to tighten too much as it may cause a break.



Attach the pillow

1. Pillow should be attached the surface fastener of back pad



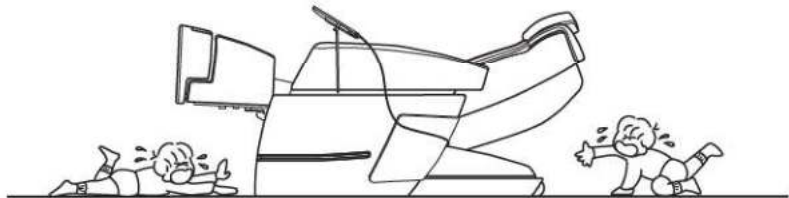
- When massage is performed, attach the back pad and rotate the pillow to the back side.
- When massage is felt as hard, attach the pillow and use it.
- When massage is not done, attach the back pad and pillow as such and use it as a reclining chair.

Before starting massage every time

Check around the chair

Check the surroundings without fail

- Check to make sure that there is nobody, no pet and nothing ahead behind the chair and under the footrest.



Switch on the power

DANGER

Do not use the chair other than on the designated voltage. Fire or electrification may occur.
Insert the power plug firmly so that no dust is accumulated. Failed to do so may cause electric shock, short circuit, or ignition.
Do not use damaged power plug or power cord. It may cause electric shock, short circuit, or fire
If it is damaged, contact your retailer or our customer care for repair.

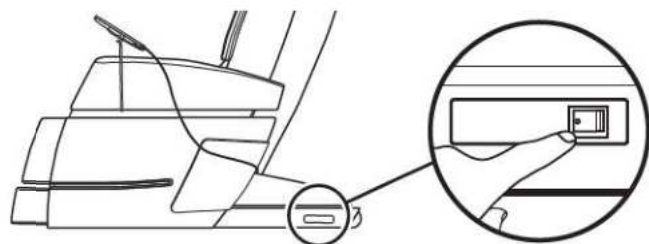
1. Insert the power cord plug in the receptacle.

- Check that there is no damage in the power cord, remote controller cord, and the power cord plug. And there is no dust accumulated in the power cord plug.








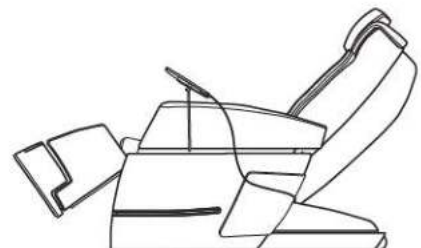
2. Switch "ON" power of main body.

- The power switch is behind the main body on the right bottom.



3. Press power button of remote controller to switch on the power.

- Regular screen is displayed.
- The seat back is reclined and footrest is raised till standby position automatically.
(When reclining angle of   or footrest angle of   or  is pressed, it is stopped)
- When it is not operated for around 3 minutes or more, power supply will be turned off automatically.



Standby position

- When regular screen is not displayed even if power is switched on by pressing the power button, the chair cannot be operated.

Check the main body

1. Check for torn on the cover cloth.

DANGER


Before use, hold the back pad and make sure that there is no tear on the cover cloth of the backrest and on the other parts. (Should there be any tear, no matter how small it is, discontinue using the chair immediately. Disconnect the power cord plug, and ask for repair.) Continued use with the torn cloth may cause electric shock or any hazard on the body.

2. Check for trapping of foreign substance to the main body.

WARNING

Before use, check that there is no foreign substance trapped on to the main body (Backrest, footrest, armrest). Failed to do so may cause accident or injury.

3. Check whether the knead ball is in the retracted position.

- When the knead ball is not in the retracted position, it can be returned by pressing  button.

WARNING

Before seated on the chair, check whether the knead balls are in the retracting position. Failed to do so may cause accident and injury.

4. Check whether the footrest is in completely lowered

- When the footrest is raised, it can be lowered down by pressing footrest angle .

WARNING

Do not get on and off the chair at the time of reclining or when the footrest is raised. The chair may overturn and the user may fall down and hurt himself/herself.