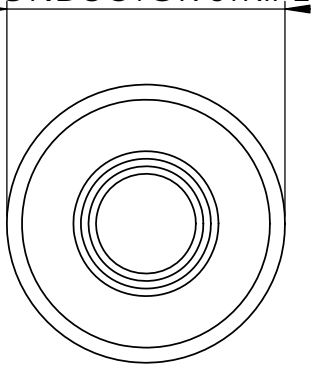
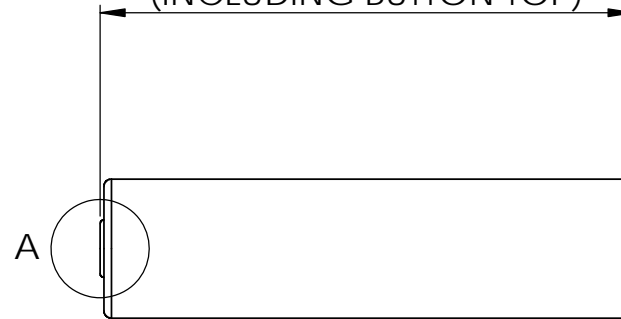


BODY DIAMETER
Ø 18.75mm max.
AT LARGEST POINT
(WHERE THE CONDUCTOR STRIPE IS LOCATED)

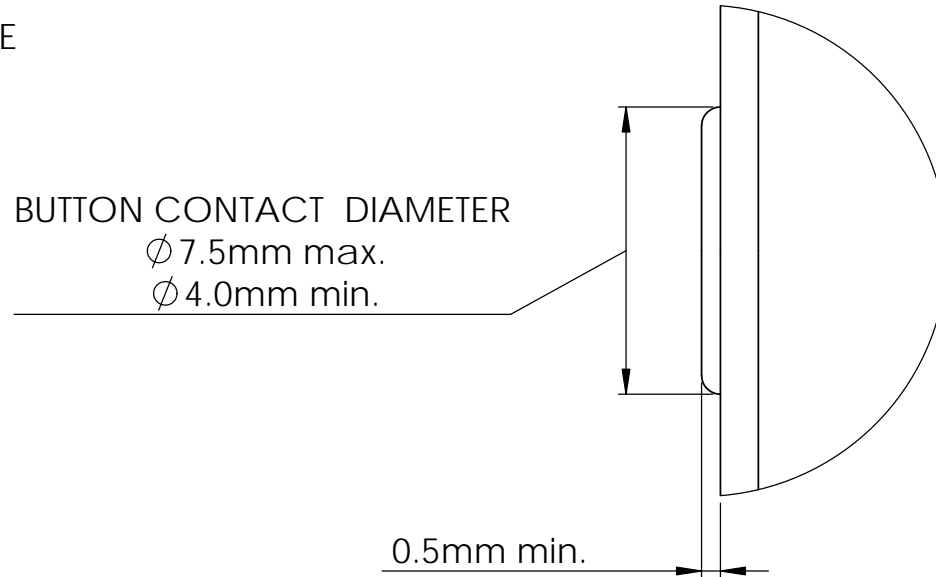


OVERALL LENGTH
70.0mm max.
(INCLUDING BUTTON TOP)

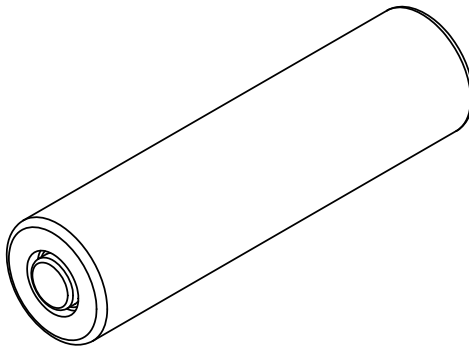


MUST FIT INSIDE A TUBE
Ø 18.8 mm TUBE

BUTTON CONTACT DIAMETER
Ø 7.5mm max.
Ø 4.0mm min.



DETAIL A
SCALE 5 : 1



BUTTON TOP EXTENSION
AT LEAST 0.5 mm
BEYOND BODY
(INCLUDING PLASTIC SLEEVE)