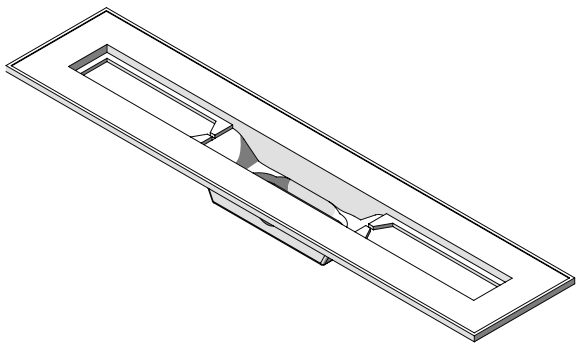
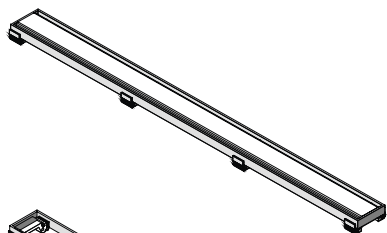
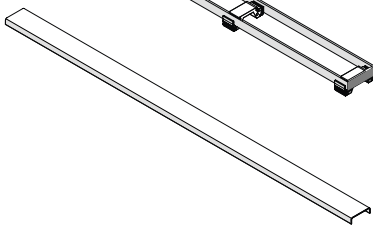
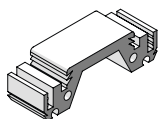
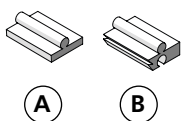
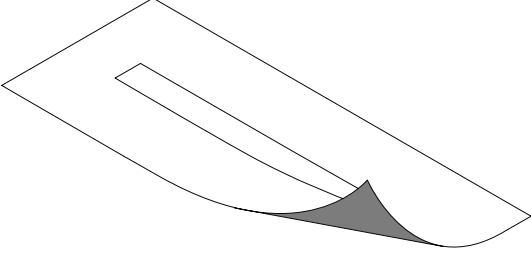

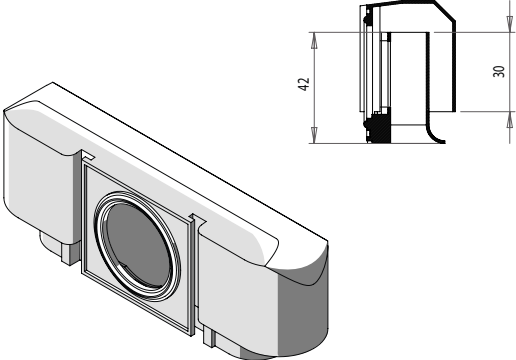
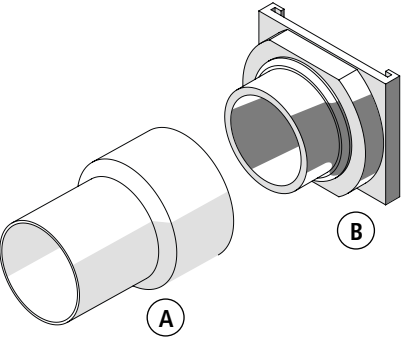
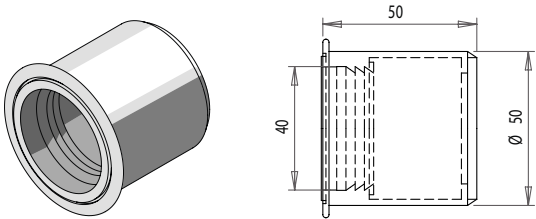


Carrodrain Classic / technical specifications

	Classic 700	Classic 800	Classic 900
Box Length	840 mm	940 mm	1040 mm
Box Width	240 mm	240 mm	240 mm
Box Height	110 mm	110 mm	110 mm
Box Weight	5,4 kg	6,0 kg	6,7 kg
Pallet Weight incl. Europallet	234 kg	265 kg	288 kg
Number of sets per box	1	1	1
Number of boxes per pallet	40	40	40

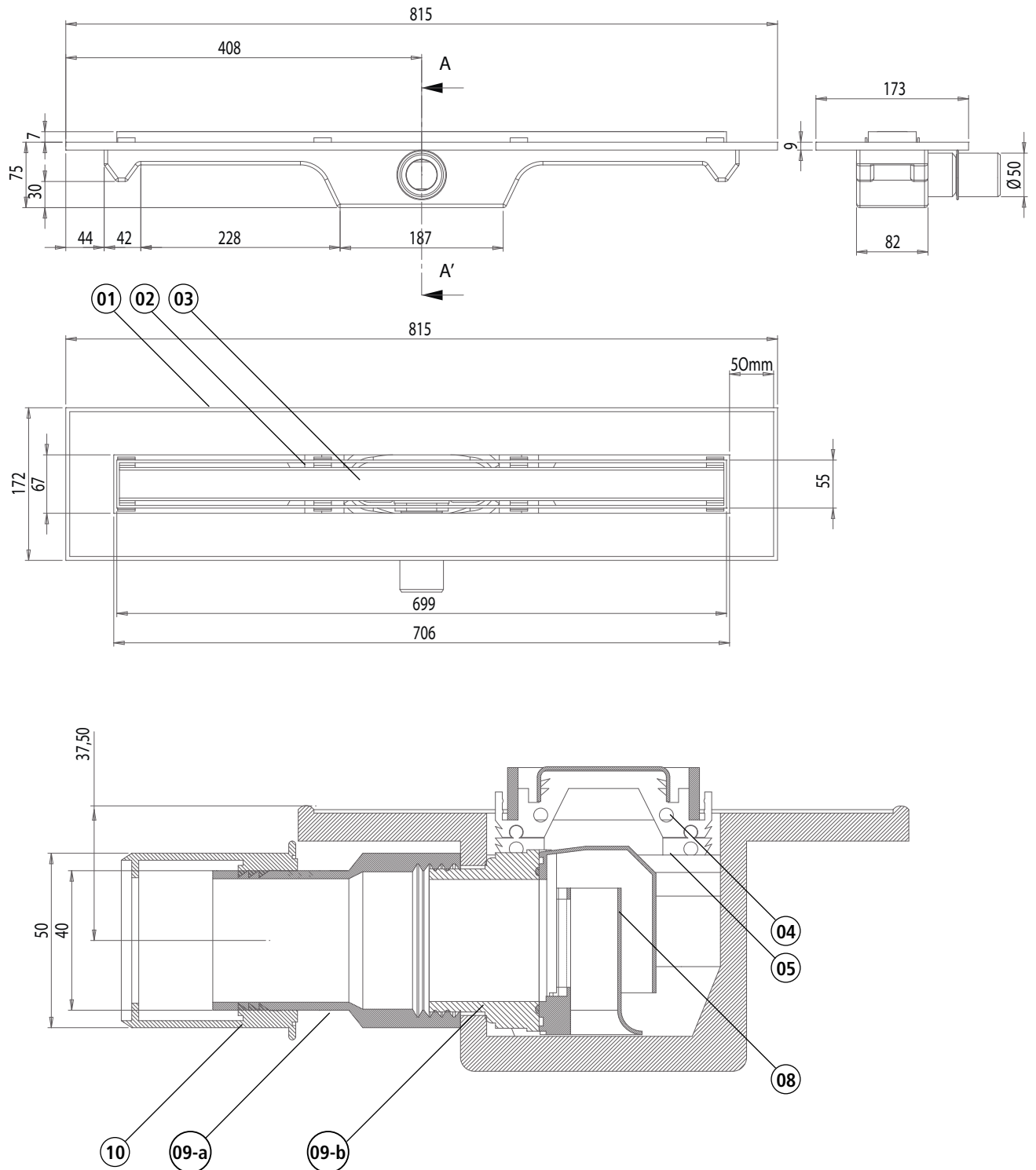
COMPONENT	DESCRIPTION	CODE
01 	Carrodrain Classic body Carrodrain 700 : L x W x H = 815 x 173 x 75 mm Carrodrain 800 : L x W x H = 915 x 173 x 75 mm Carrodrain 900 : L x W x H = 1015 x 173 x 75 mm Material : Solid Surface - polyester resin with minerals incl. aluminium oxide trihydrate General : Integrated water buffers Pre-glued Kerlox flange (50 mm) Discharge capacity: see drainage table Max. water temperature = 90° C Expansion Coefficient < 0.000045 / K Linear expansion = 1 mm between 10° to 45° C	/ / /
02 	Classic Stainless steel grille set Stainless steel grille set 700 : frame + cover + holders Stainless steel grille set 800 : frame + cover + holders Stainless steel grille set 900 : frame + cover + holders Classic Stainless steel grille frame Material : Stainless steel 304, 3 mm thickness Stainless steel frame 700 : L x W x H = 700 x 56 x 20 mm Stainless steel frame 800 : L x W x H = 800 x 56 x 20 mm Stainless steel frame 900 : L x W x H = 900 x 56 x 20 mm	100020 100079 100029
03 	Classic Stainless steel grille cover plate Material : Stainless steel 304, 1,5 mm thickness Stainless steel cover 700 : L x W x H = 695 x 39 x 10 mm Stainless steel cover 800 : L x W x H = 793 x 39 x 10 mm Stainless steel cover 900 : L x W x H = 893 x 39 x 10 mm	
04 	Grille holder Material : ABS	100055
05 	Height adjustment blocks Material : ABS A 8 pieces per set, height 2,5mm B 16 pieces per set, height 5mm	100039 100052

Carrodrain Classic / technical specifications

ONDERDEEL	OMSCHRIJVING	CODE
<p>06</p> 	<p>Classic Loose Kerlox flange</p> <p>Kerlox matting with recess</p> <p>Kerlox Flange 700 : L x W x H = 1000 x 400 x 0,2 mm Kerlox Flange 800 : L x W x H = 1100 x 400 x 0,2 mm Kerlox Flange 900 : L x W x H = 1200 x 400 x 0,2 mm</p>	<p>100024 100073 100025</p>
<p>07</p> 	<p>Suction Cup</p> <p>Material : MBR Rubber</p>	<p>100031</p>
<p>08</p> 	<p>Classic Trap</p> <p>Material : ABS Drainage capacity: see drainage table Water seal height = 42/30 mm Not frost resistant</p> <p>Included : Set silicon rings waterlock Hair retainer 40 mm</p> <p>Optional : Vacation lock Carrodrain 40 mm</p>	<p>100034 100106 100054 100035</p>
<p>09</p> 	<p>Threaded drain pipe (2 parts)</p> <p>(A) Material : ABS Polycarbonate (B) Material : Nylon</p> <p>Discharge capacity: see drainage table</p>	<p>100056 100057</p>
<p>10</p> 	<p>Adapter Sleeve 40/50</p> <p>Material : PP-Block Copolymer (PP-B) Diameter: 40 mm to 50 mm Rubber seal Discharge capacity: see drainage table</p>	<p>100028</p>

CarrodRAIN Classic / technical specifications

700

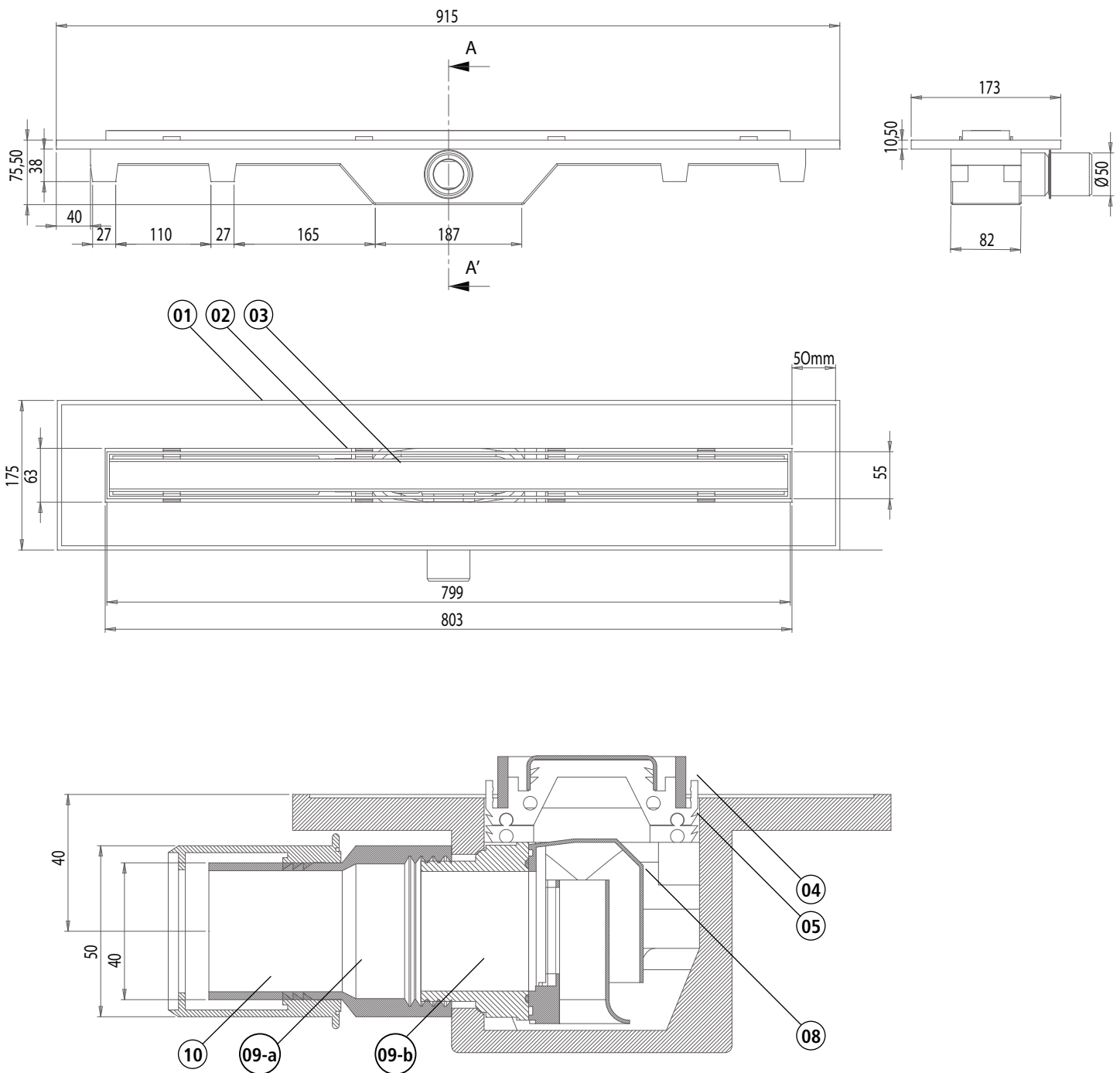


Item number : 01 CarrodRAIN Body / 02 stainless steel grille frame / 03 stainless steel grille cover / 04 stainless steel grille holder / 05 height adjustment blocks / 06 loose Kerlox flange / 07 suction cup / 08 trap / 09 threaded drain pipe (2 parts) / 10 adapter sleeve 40/50

Important: All measurements provided are indications. The CarrodRAIN body is poured from Solid Surface material and may be subject to shrinkage during production. Therefore, actual measurements may differ somewhat from those indicated in the technical specifications.

Carrodrain Classic / technical specifications

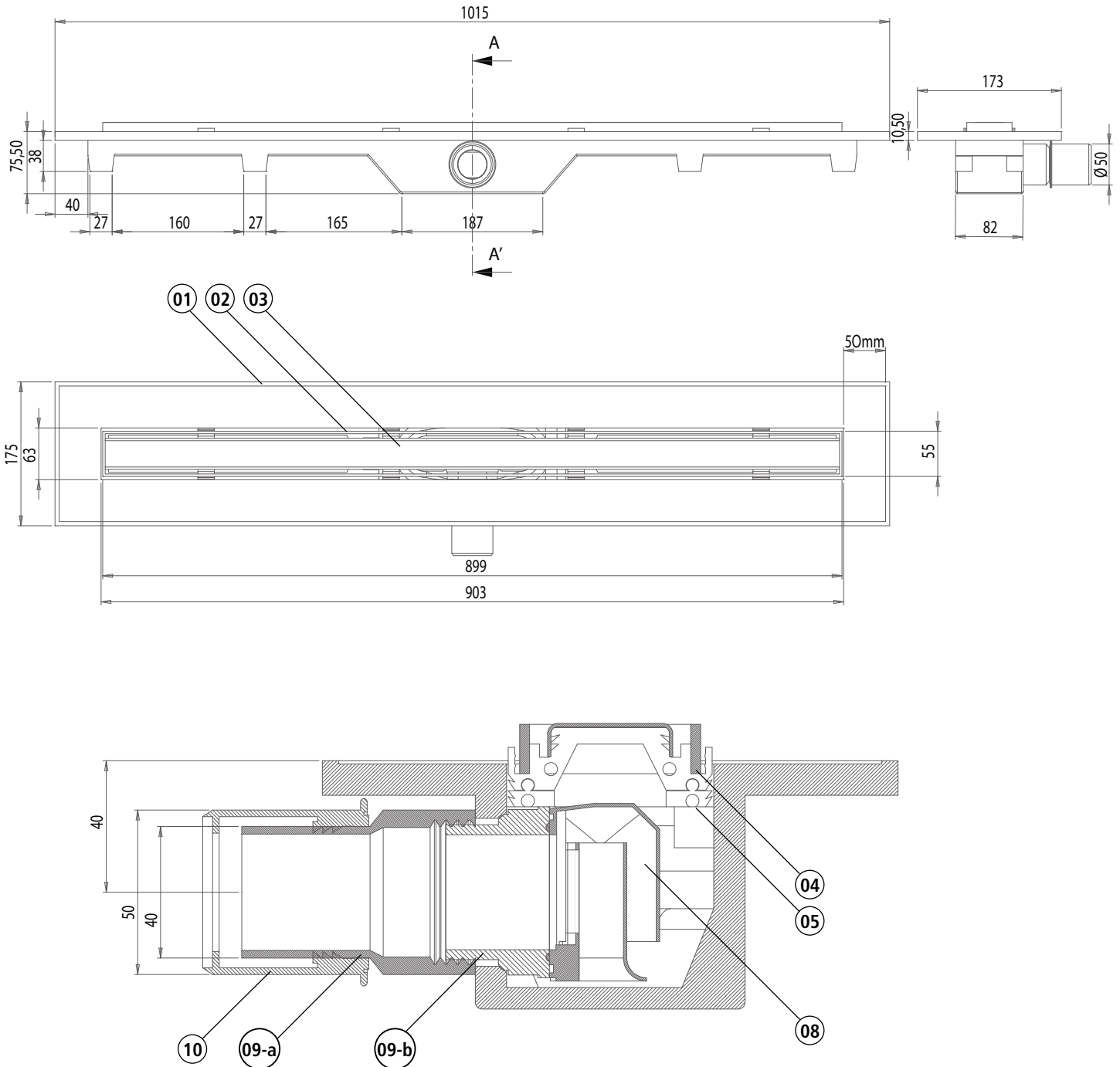
800



Item number : 01 Carrodrain Body / 02 stainless steel grille frame / 03 stainless steel grille cover / 04 stainless steel grille holder / 05 height adjustment blocks / 06 loose Kerlox flange / 07 suction cup / 08 trap / 09 threaded drain pipe (2 parts) / 10 adapter sleeve 40/50

Important: All measurements provided are indications. The Carrodrain body is poured from Solid Surface material and may be subject to shrinkage during production. Therefore, actual measurements may differ somewhat from those indicated in the technical specifications.

900



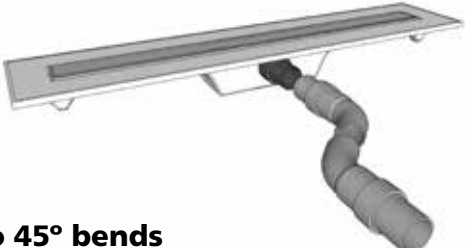
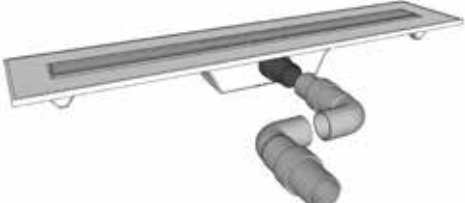


Item number : **01** Carrodrain Body / **02** stainless steel grille frame / **03** stainless steel grille cover / **04** stainless steel grille holder / **05** height adjustment blocks / **06** loose Kerlox flange / **07** suction cup / **08** trap / **09** threaded drain pipe (2 parts) / **10** adapter sleeve 40/50

Important: All measurements provided are indications. The Carrodrain body is poured from Solid Surface material and may be subject to shrinkage during production. Therefore, actual measurements may differ somewhat from those indicated in the technical specifications.

CarrodRAIN Classic / drainage rates

DRAINAGE RATES IN LITRES PER MINUTE

Connection	Length of Drain Pipe	Slope of Drain Pipe				
		0°	0,5°	1°	1,5°	2°
 Right	24	25	27	28	29	28
	23	24	27	28	29	29
	22	24	26	27	28	28
 One 90° bend	23	24	25	26	27	27
	22	24	25	27	28	28
	21	22	25	26	28	28
 Two 45° bends	20	22	24	25	28	23
	20	24	25	24	28	28
	20	24	27	24	27	27
 Two 90° bends	17	18	20	23	24	18
	16	20	24	25	24	19
	14	22	24	26	24	19

Duration of test : 5 minutes

Drain pipe diameter : 40 mm

Important : All drainage rates were tested with a 9 mm water column. "Water column" refers to the height of the water from the stainless steel cover plate of the CarrodRAIN.