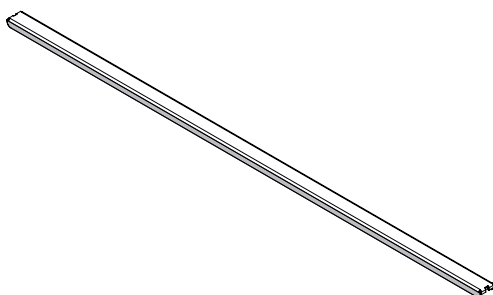


	Invisible 600	Invisible 700	Invisible 800	Invisible 900
Box length	735 mm	835 mm	935 mm	1035 mm
Box width	235 mm	235 mm	235 mm	235 mm
Box height	90 mm	90 mm	90 mm	90 mm
Weight per box (=complete package)	2,35 kg	2,50 kg	2,70 kg	3,00 kg
Weight per pallet incl. pallet	106 kg	114 kg	124 kg	138 kg
Number of sets per box	1	1	1	1
Number of boxes per pallet	40	40	40	40

PART	DESCRIPTION	CODE
------	-------------	------

01



GRILLE INVISIBLE

GRILLE INVISIBLE 600 **INOX** stainless steel 304
L 592 mm x W 27 mm x H 12 mm

100853

GRILLE INVISIBLE 700 **INOX** stainless steel 304
L 692 mm x W 27 mm x H 12 mm

100850

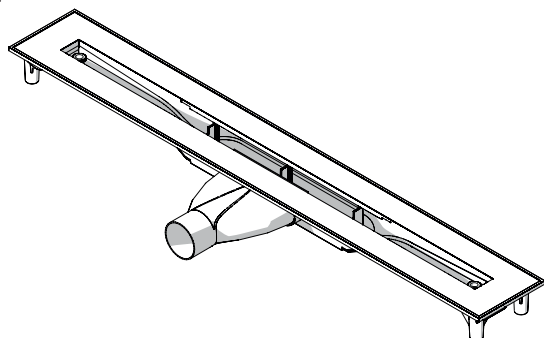
GRILLE INVISIBLE 800 **INOX** stainless steel 304
L 792 mm x W 27 mm x H 12 mm

100851

GRILLE INVISIBLE 900 **INOX** stainless steel 304
L 892 mm x W 27 mm x H 12 mm

100852

02



BODY INVISIBLE

Dimensions : see later in this technical datasheet

Material : High Heat ABS

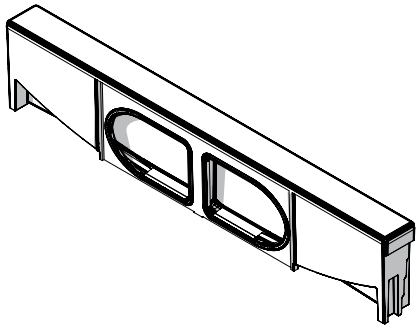
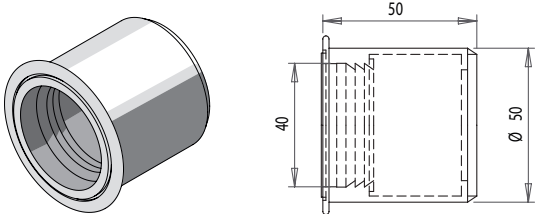
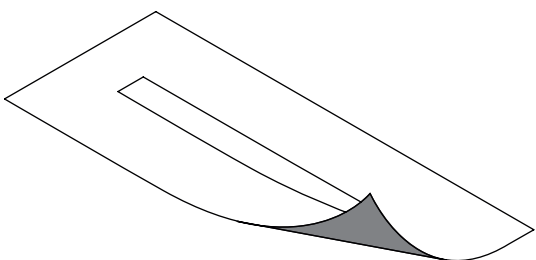
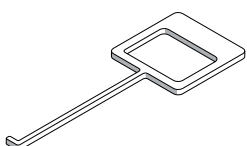
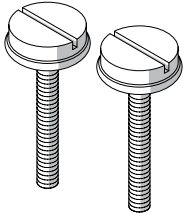
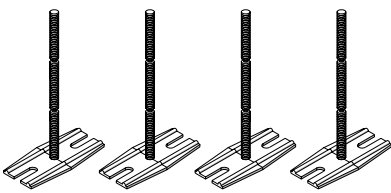
General :

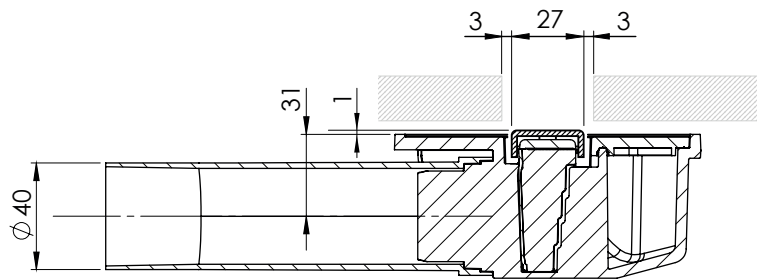
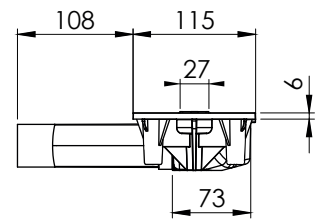
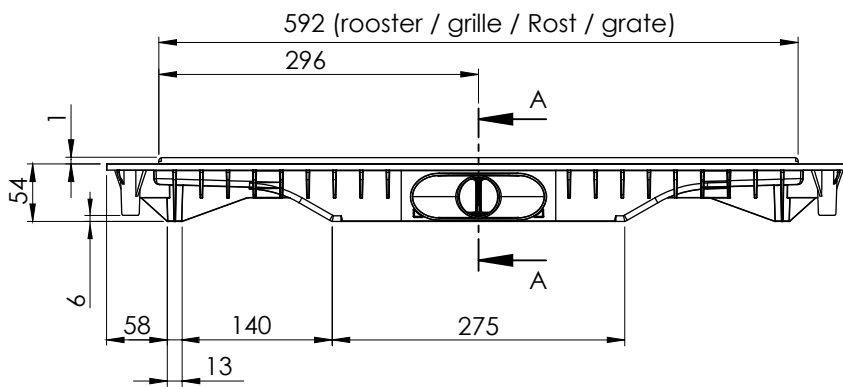
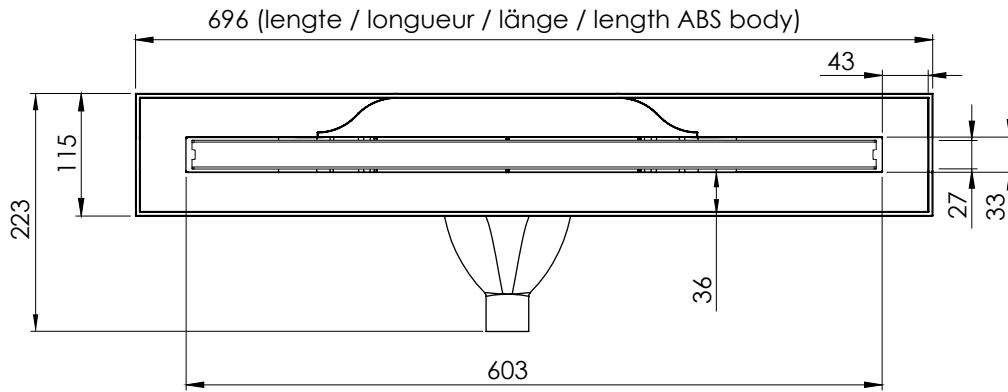
Drainage system with patented "superflow" technology

Pre-glued Kerlox-flange (36mm)

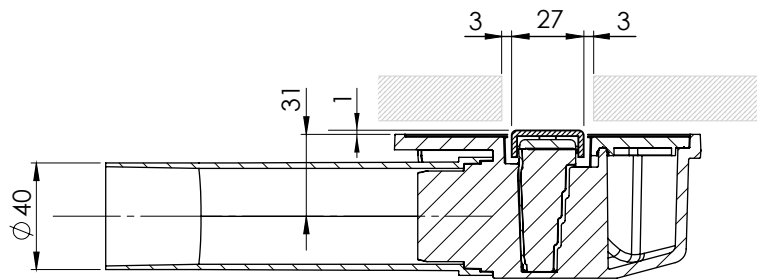
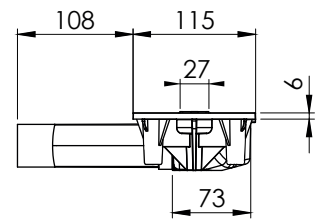
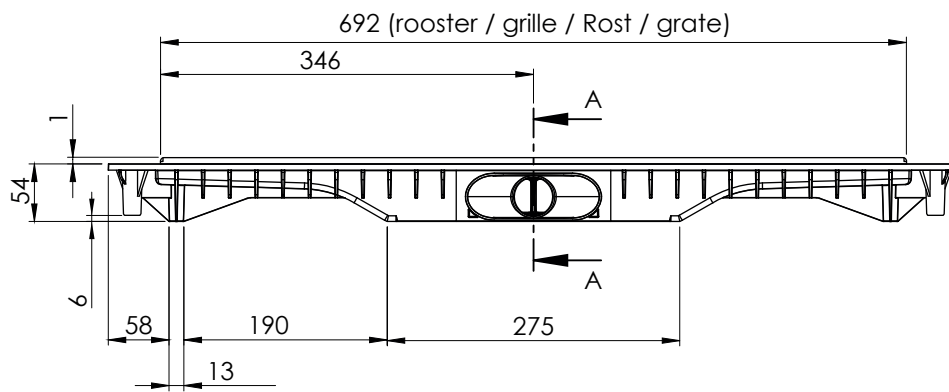
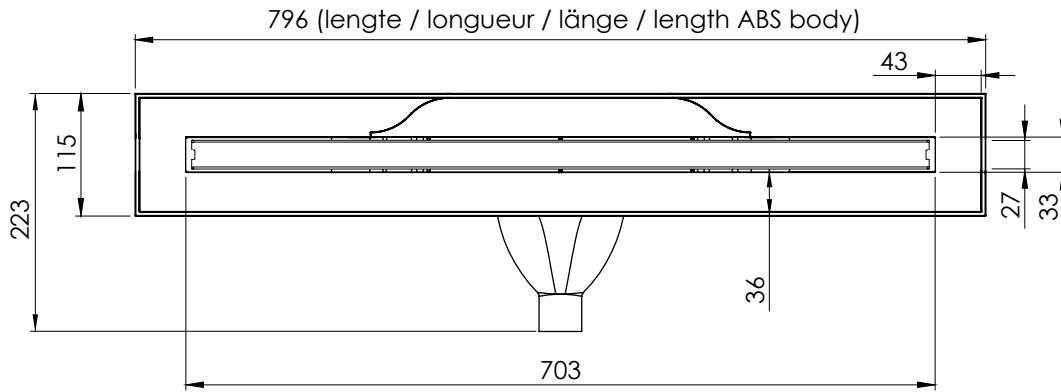
Drainage capacity: see KIWA table

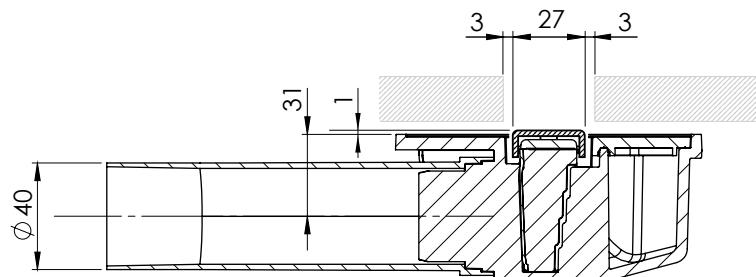
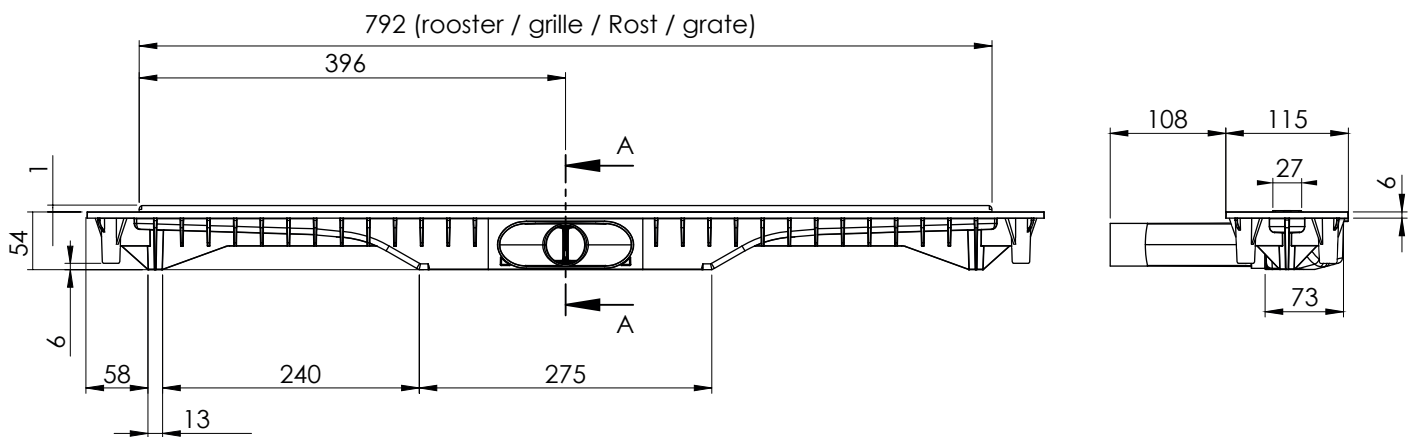
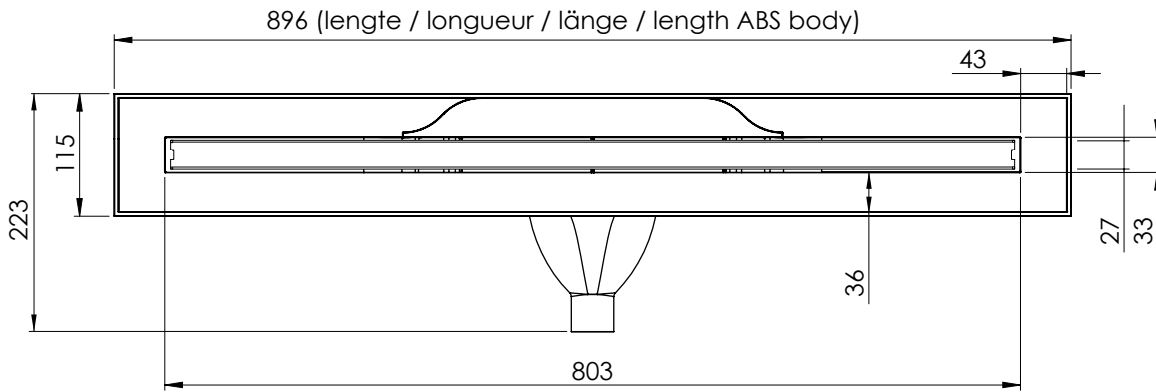
Max. water temperature = 90°C

PART	DESCRIPTION	CODE
<p>03</p> 	<p>SIFON / WATER LOCK INVISIBLE</p> <p>Material : High Heat ABS + TPE drainage capacity: see KIWA table net water lock height = 30 mm not frost resistant</p>	<p>100202</p>
<p>04</p> 	<p>SLIDING SOCKET 40/50</p> <p>Material : PP-Block Copolymere (PP-B) diameter from 40 mm to 50 mm rubber seal</p>	<p>100028</p>
<p>05</p> 	<p>SEPARATE KERLOX FLANGE INVISIBLE</p> <p>Kerlox-membrane with cutout</p> <p>KERLOX FLANGE INVISIBLE 600 : L x W x H = 1000 x 350 x 0,4 mm KERLOX FLANGE INVISIBLE 700 : L x W x H = 1000 x 350 x 0,4 mm KERLOX FLANGE INVISIBLE 800 : L x W x H = 1100 x 350 x 0,4 mm KERLOX FLANGE INVISIBLE 900 : L x W x H = 1200 x 350 x 0,4 mm</p> <p>More info : see Kerlox technical datasheet</p>	<p>100327 100163 100196 100165</p>
<p>06</p> 	<p>MULTI-KEY INVISIBLE</p> <p>Material : stainless steel 304 L 85 mm x W 30 mm x H 2 mm</p>	<p>100180</p>
<p>07</p> 	<p>ADJUSTING SCREW INVISIBLE</p> <p>set of 2 ABS adjusting screws M6 H 54 x D 20 mm</p>	<p>100809</p>
<p>07</p> 	<p>FEET INVISIBLE</p> <p>set of 4 ABS feet L 70 mm x W 33 mm x H 92 mm</p>	<p>100140</p>

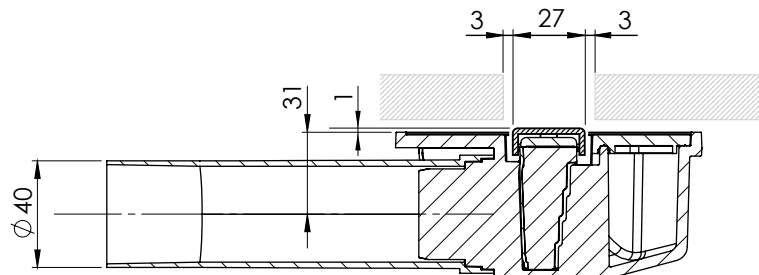
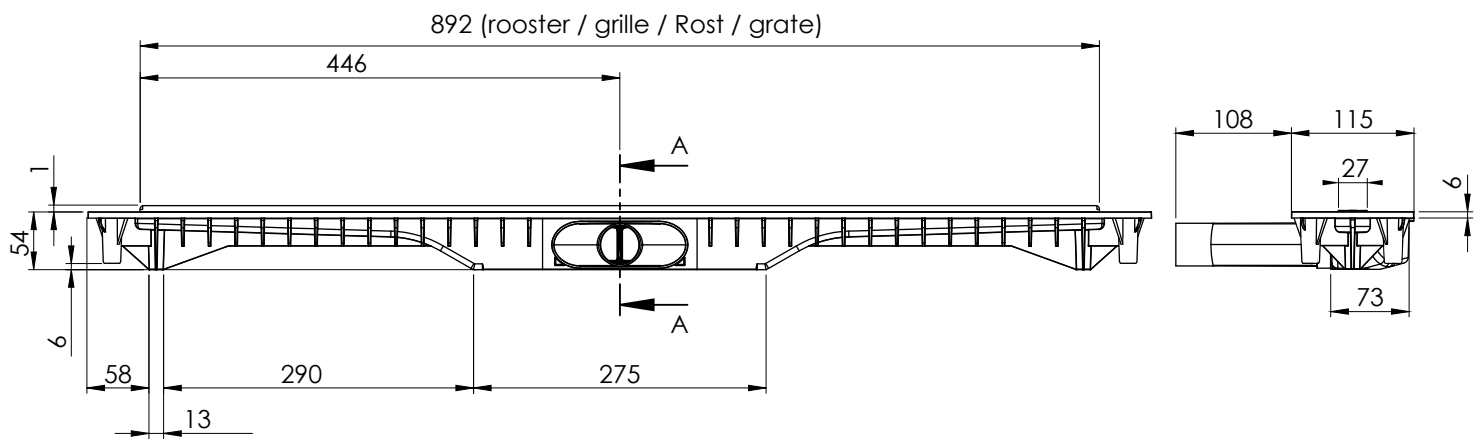
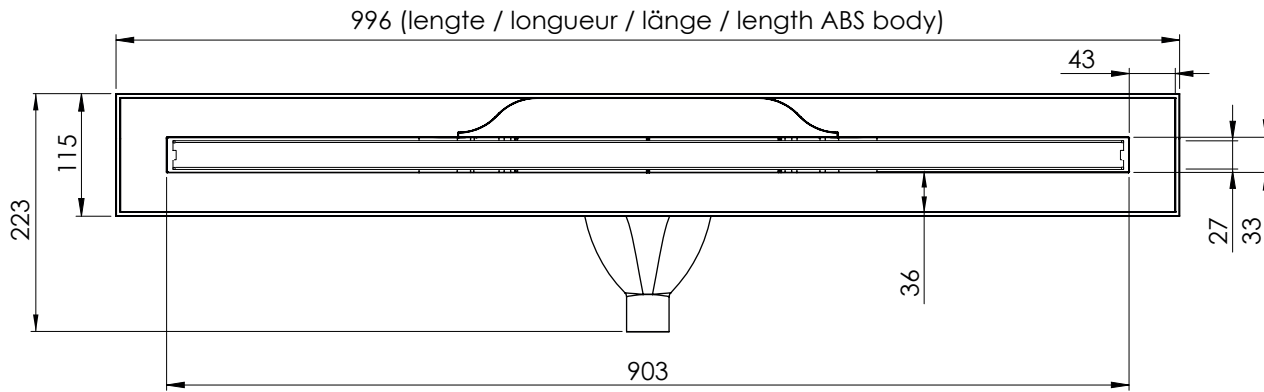


SECTION A-A





SECTION A-A



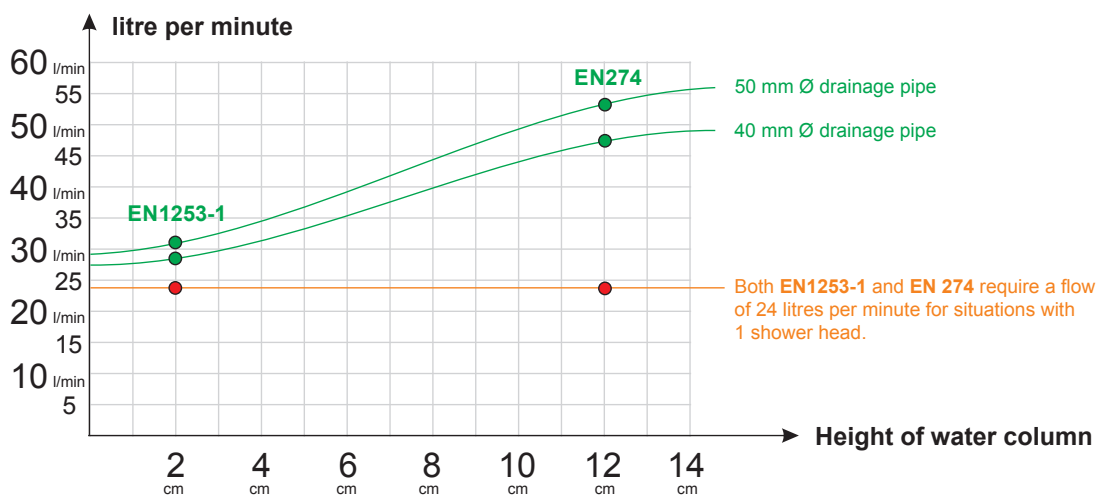
SECTION A-A

CarrodRAIN Invisible shower drain



	EN 1253-1	EN 274
	<p>This testing method requires a 100 cm drainage pipe and a 20mm water column above the drainage grate.</p> <p>20mm 100cm</p>	<p>This testing method requires a 30 cm drainage pipe and a 120mm water column above the drainage grate.</p> <p>120mm 30cm</p>
	<p>30,8 l/min. =0,51l/sec.</p>	<p>53,3 l/min. =0,89l/sec.</p>
	<p>28,3 l/min. =0,47l/sec.</p>	<p>46,7 l/min. =0,78l/sec.</p>

FLOW CHART



January 2016
Report no.