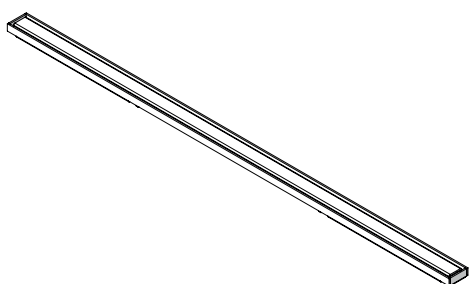


	Cayman 600	Cayman 700	Cayman 800	Cayman 900
Box length	735 mm	835 mm	935 mm	1035 mm
Box width	235 mm	235 mm	235 mm	235 mm
Box height	90 mm	90 mm	90 mm	90 mm
Weight per box (=complete package)	2,70 kg	2,90 kg	3,10 kg	3,30 kg
Weight per pallet incl. pallet	120 kg	130 kg	140kg	150 kg
Number of sets per box	1	1	1	1
Number of boxes per pallet	40	40	40	40

PART	DESCRIPTION	CODE
------	-------------	------

01



## GRILLE SET CAYMAN

grille frame + tube

**CAYMAN 600** : L 600 mm x W 30 mm x H 12 mm

GRILLE SET CAYMAN 600 <b>INOX</b> stainless steel 304	100453
GRILLE SET CAYMAN 600 <b>BLACK</b> stainless steel 304 + epoxy coating	100463
GRILLE SET CAYMAN 600 <b>WHITE</b> stainless steel 304 + epoxy coating	101463
GRILLE SET CAYMAN 600 <b>CHAMPAGNE</b> stainless steel 304 + PVD coating	107463
GRILLE SET CAYMAN 600 <b>GOLD</b> stainless steel 304 + PVD coating	102463
GRILLE SET CAYMAN 600 <b>COPPER</b> stainless steel 304 + PVD coating	103463
GRILLE SET CAYMAN 600 <b>BRONZE</b> stainless steel 304 + PVD coating	104463
GRILLE SET CAYMAN 600 <b>SMOKE</b> stainless steel 304 + PVD coating	105463
GRILLE SET CAYMAN 600 <b>TITANIUM</b> stainless steel 304 + PVD coating	106463

**CAYMAN 700** : L 700 mm X W 30 mm X H 12 mm

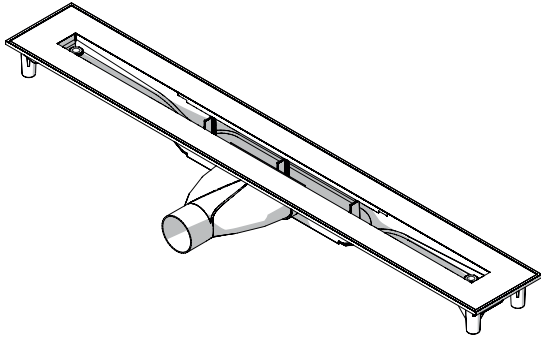
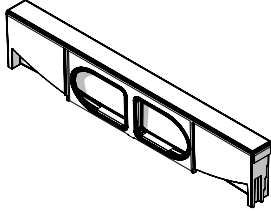
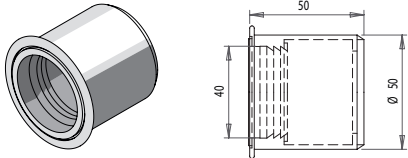
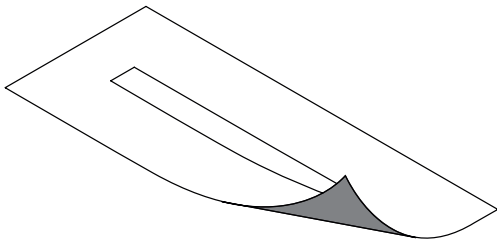
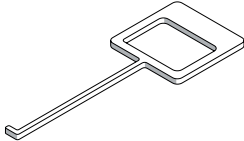
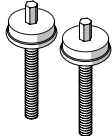
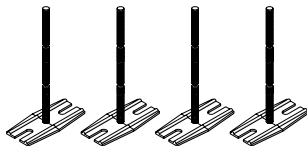
GRILLE SET CAYMAN 700 <b>INOX</b> stainless steel 304	100450
GRILLE SET CAYMAN 700 <b>BLACK</b> stainless steel 304 + epoxy coating	100460
GRILLE SET CAYMAN 700 <b>WHITE</b> stainless steel 304 + epoxy coating	101460
GRILLE SET CAYMAN 700 <b>CHAMPAGNE</b> stainless steel 304 + PVD coating	107460
GRILLE SET CAYMAN 700 <b>GOLD</b> stainless steel 304 + PVD coating	102460
GRILLE SET CAYMAN 700 <b>COPPER</b> stainless steel 304 + PVD coating	103460
GRILLE SET CAYMAN 700 <b>BRONZE</b> stainless steel 304 + PVD coating	104460
GRILLE SET CAYMAN 700 <b>SMOKE</b> stainless steel 304 + PVD coating	105460
GRILLE SET CAYMAN 700 <b>TITANIUM</b> stainless steel 304 + PVD coating	106460

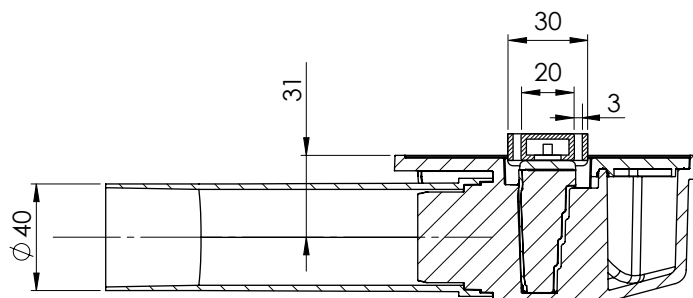
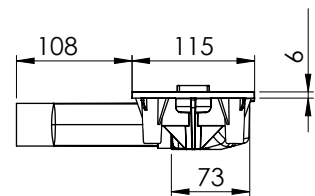
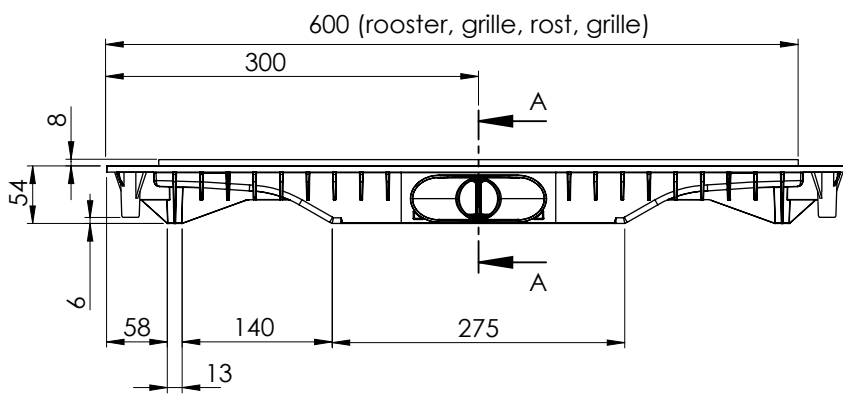
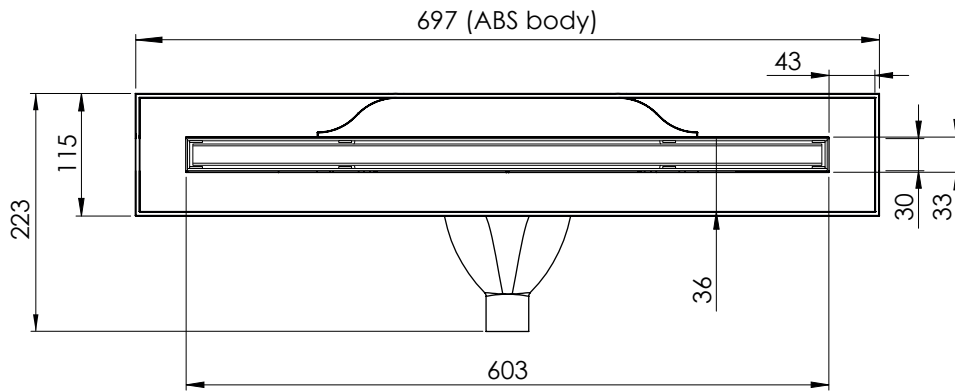
**CAYMAN 800** : L 800 mm X W 30 mm X H 12 mm

GRILLE SET CAYMAN 800 <b>INOX</b> stainless steel 304	100451
GRILLE SET CAYMAN 800 <b>BLACK</b> stainless steel 304 + epoxy coating	100461
GRILLE SET CAYMAN 800 <b>WHITE</b> stainless steel 304 + epoxy coating	101461
GRILLE SET CAYMAN 800 <b>CHAMPAGNE</b> stainless steel 304 + PVD coating	107461
GRILLE SET CAYMAN 800 <b>GOLD</b> stainless steel 304 + PVD coating	102461
GRILLE SET CAYMAN 800 <b>COPPER</b> stainless steel 304 + PVD coating	103461
GRILLE SET CAYMAN 800 <b>BRONZE</b> stainless steel 304 + PVD coating	104461
GRILLE SET CAYMAN 800 <b>SMOKE</b> stainless steel 304 + PVD coating	105461
GRILLE SET CAYMAN 800 <b>TITANIUM</b> stainless steel 304 + PVD coating	106461

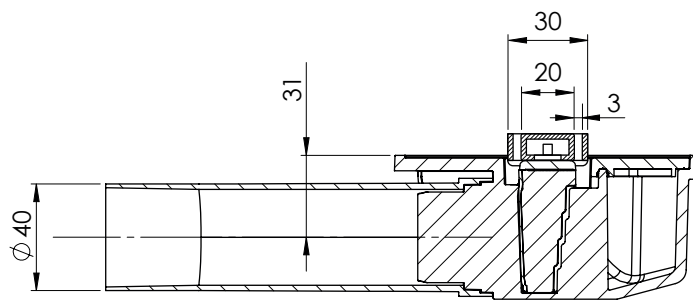
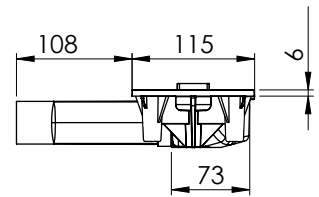
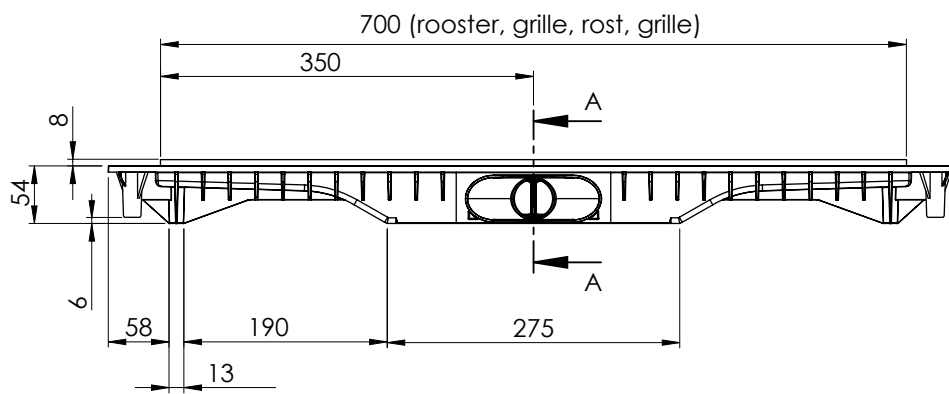
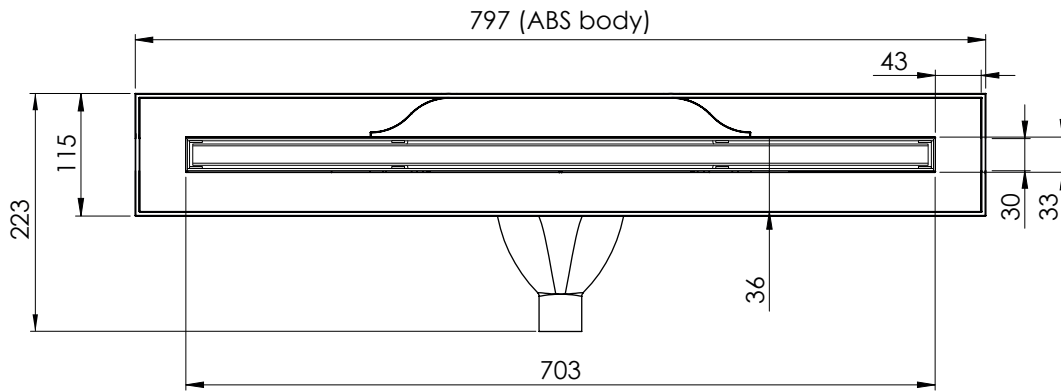
**CAYMAN 900** : L 900 mm x W 30 mm x H 12 mm

GRILLE SET CAYMAN 900 <b>INOX</b> stainless steel 304	100452
GRILLE SET CAYMAN 900 <b>BLACK</b> stainless steel 304 + epoxy coating	100462
GRILLE SET CAYMAN 900 <b>WHITE</b> stainless steel 304 + epoxy coating	101462
GRILLE SET CAYMAN 900 <b>CHAMPAGNE</b> stainless steel 304 + PVD coating	107462
GRILLE SET CAYMAN 900 <b>GOLD</b> stainless steel 304 + PVD coating	102462
GRILLE SET CAYMAN 900 <b>COPPER</b> stainless steel 304 + PVD coating	103462
GRILLE SET CAYMAN 900 <b>BRONZE</b> stainless steel 304 + PVD coating	104462
GRILLE SET CAYMAN 900 <b>SMOKE</b> stainless steel 304 + PVD coating	105462
GRILLE SET CAYMAN 900 <b>TITANIUM</b> stainless steel 304 + PVD coating	106462

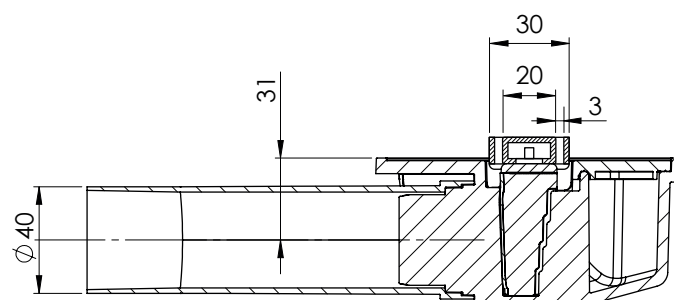
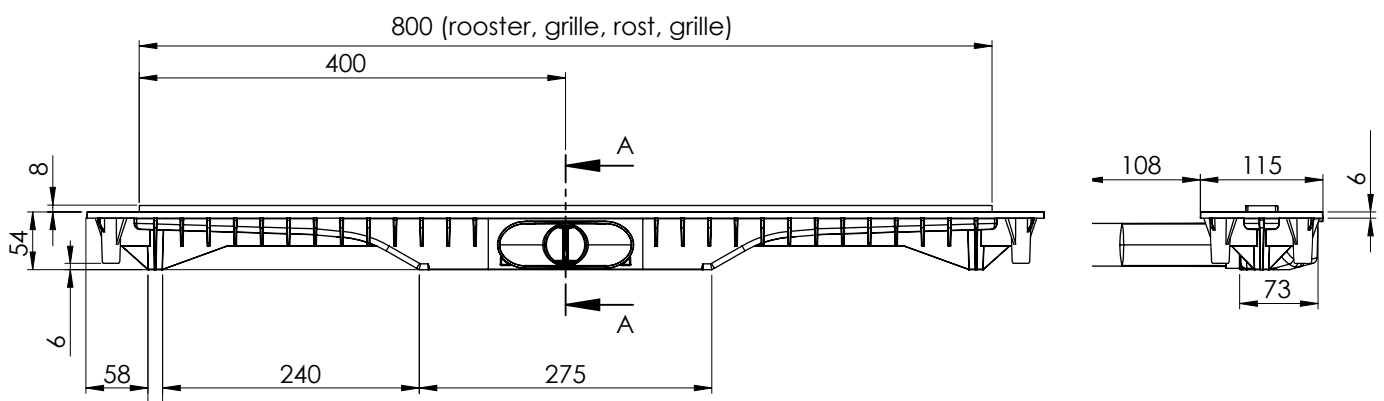
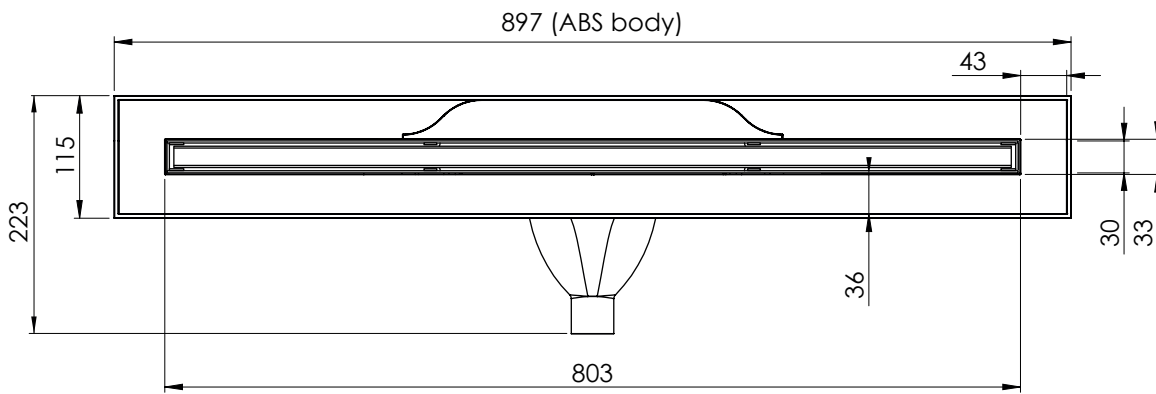
PART	DESCRIPTION	CODE
<p>02</p> 	<p><b>CAYMAN BODY</b></p> <p><b>Dimensions :</b> see later in this technical datasheet</p> <p><b>Material :</b> High Heat ABS</p> <p><b>General :</b> drainage system with patented "superflow" technology pre-glued Kerlox-flange (36mm) drainage capacity: see KIWA table max. water temperature = 90°C</p>	
<p>03</p> 	<p><b>CAYMAN SIFON / WATER LOCK</b></p> <p><b>Material :</b> High Heat ABS + TPE drainage capacity: see KIWA table net water lock height = 30 mm not frost resistant</p>	100202
<p>04</p> 	<p><b>SLIDING SOCKET 40/50</b></p> <p><b>Material :</b> PP-Block Copolymere (PP-B) diameter from 40 mm to 50 mm rubber seal</p>	100028
<p>05</p> 	<p><b>CAYMAN SEPARATE KERLOX FLANGE</b></p> <p>Kerlox-membrane with cutout</p> <p>KERLOX FLENS CAYMAN 600 : L x W x H = 900 x 350 x 0,4 mm KERLOX FLENS CAYMAN 700 : L x W x H = 1000 x 350 x 0,4 mm KERLOX FLENS CAYMAN 800 : L x W x H = 1100 x 350 x 0,4 mm KERLOX FLENS CAYMAN 900 : L x W x H = 1200 x 350 x 0,4 mm</p> <p><b>More info :</b> see Kerlox technical datasheet</p>	100327 100163 100196 100165
<p>06</p> 	<p><b>CAYMAN MULTI-KEY</b></p> <p><b>Material :</b> stainless steel 304 L 85 mm x W 30 mm x H 2 mm</p>	100208
<p>07</p> 	<p><b>CAYMAN ADJUSTING SCREW</b></p> <p>set of 2 ABS adjusting screws M6 H 54 x D 20 mm</p>	100409
<p>08</p> 	<p><b>CAYMAN FEET</b></p> <p>set of 4 ABS feet L 70 mm x W 33 mm x H 92 mm</p>	100140



SECTION A-A



SECTION A-A

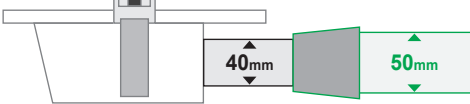
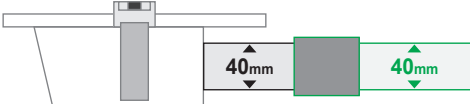


SECTION A-A

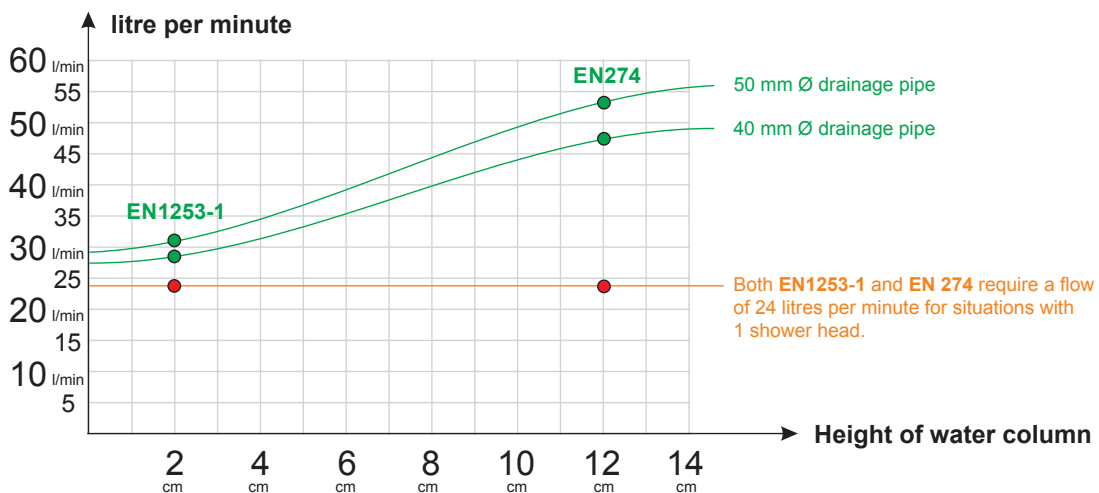


# CarrodRAIN Cayman shower drain



	EN 1253-1	EN 274
	<p>This testing method requires a 100 cm drainage pipe and a 20mm water column above the drainage grate.</p> <p>▲ 20mm ◀ 100cm ▶</p>	<p>This testing method requires a 30 cm drainage pipe and a 120mm water column above the drainage grate.</p> <p>▲ 120mm ◀ 30cm ▶</p>
	<p><b>30,8 l/min.</b> =0,51l/sec.</p>	<p><b>53,3 l/min.</b> =0,89l/sec.</p>
	<p><b>28,3 l/min.</b> =0,47l/sec.</p>	<p><b>46,7 l/min.</b> =0,78l/sec.</p>

## FLOW CHART



January 2016  
Report no.