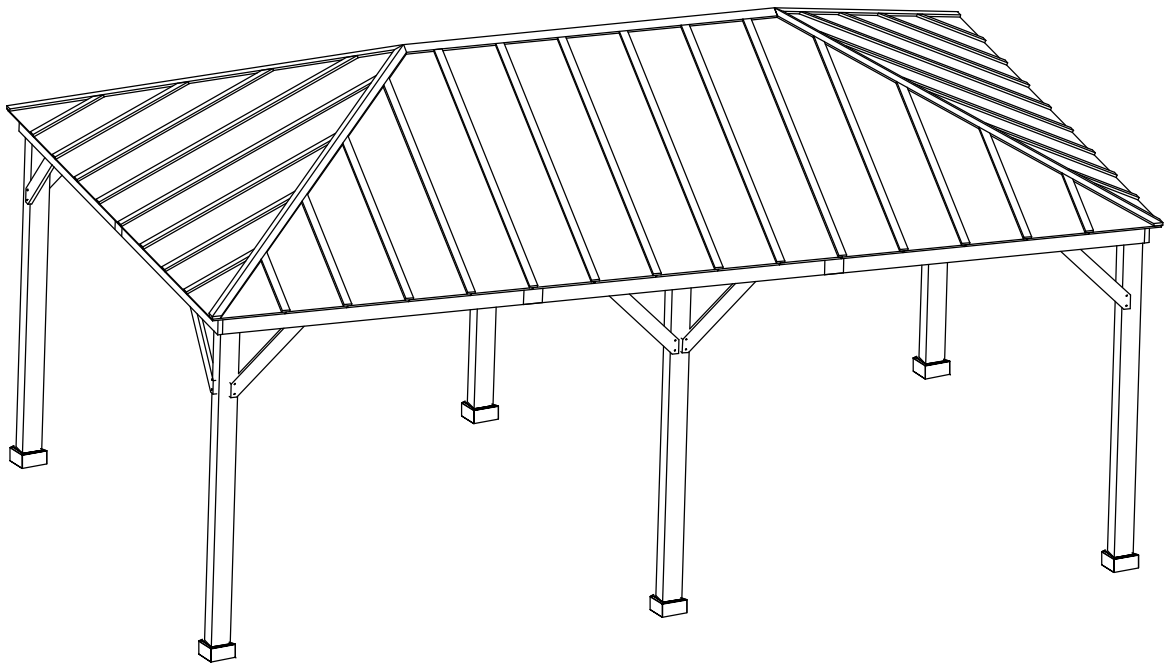


Assembling Instruction

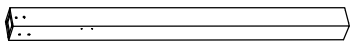
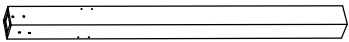






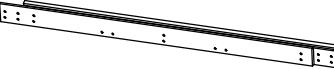

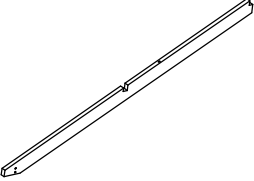
12FTx20FT

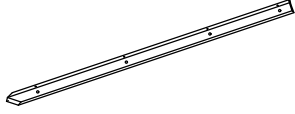
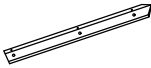


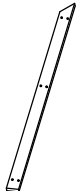
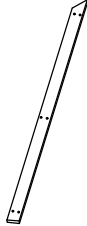
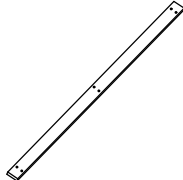
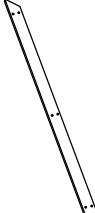
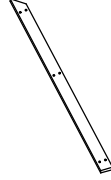


ITEM#: ZHG-030



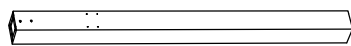
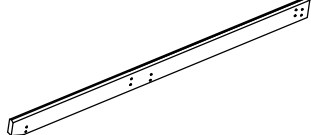


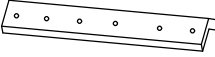
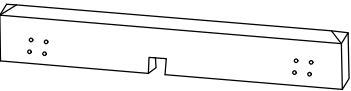
SKU: ZHG-030

- ATTENTION:
1. Please check the manual carefully and make sure you have received all the parts.
 2. If there is any missing, please let us know the letter of the parts you need.
 3. If there is any damage, please send clear photos to us, we will check and offer you best solution soon.

Parts List (Box A)								
AA x2			BB x2			FF x2		
								
GG x2			LL x2					
								
Parts List (Box B)								
DD x6			EE x6			HH x2		
								
II x2			JJ x2			QQ x2		
								

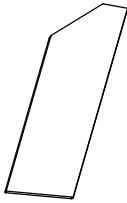

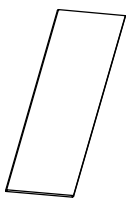
		
		
		
		


Parts List (Box C)


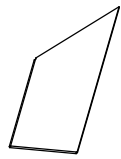
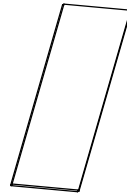
	<table border="1"> <tr> <td data-bbox="478 190 534 246">RR</td> <td data-bbox="534 190 598 246">x1</td> </tr> </table>	RR	x1	
RR	x1			

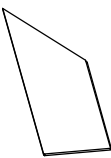

Parts List (Box D)

	<table border="1"> <tr> <td data-bbox="462 582 534 638">ZZ8</td> <td data-bbox="534 582 598 638">x2</td> </tr> </table>	ZZ8	x2		<table border="1"> <tr> <td data-bbox="877 582 933 638">ZZ9</td> <td data-bbox="933 582 997 638">x2</td> </tr> </table>	ZZ9	x2		<table border="1"> <tr> <td data-bbox="1260 582 1332 638">ZZ10</td> <td data-bbox="1332 582 1396 638">x4</td> </tr> </table>	ZZ10	x4
ZZ8	x2										
ZZ9	x2										
ZZ10	x4										

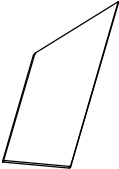
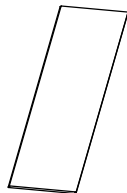
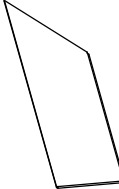
	<table border="1"> <tr> <td data-bbox="462 817 534 873">ZZ11</td> <td data-bbox="534 817 598 873">x2</td> </tr> </table>	ZZ11	x2		
ZZ11	x2				

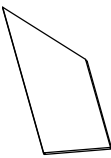

Parts List (Box E)

	<table border="1"> <tr> <td data-bbox="462 1205 534 1261">ZZ5</td> <td data-bbox="534 1205 598 1261">x4</td> </tr> </table>	ZZ5	x4		<table border="1"> <tr> <td data-bbox="877 1209 933 1265">ZZ6</td> <td data-bbox="933 1209 997 1265">x4</td> </tr> </table>	ZZ6	x4		<table border="1"> <tr> <td data-bbox="1260 1209 1332 1265">ZZ10</td> <td data-bbox="1332 1209 1396 1265">x4</td> </tr> </table>	ZZ10	x4
ZZ5	x4										
ZZ6	x4										
ZZ10	x4										

	<table border="1"> <tr> <td data-bbox="462 1433 534 1489">ZZ13</td> <td data-bbox="534 1433 598 1489">x2</td> </tr> </table>	ZZ13	x2		<table border="1"> <tr> <td data-bbox="861 1433 933 1489">ZZ14</td> <td data-bbox="933 1433 997 1489">x2</td> </tr> </table>	ZZ14	x2	
ZZ13	x2							
ZZ14	x2							

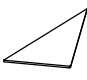
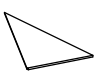
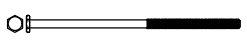
Parts List (Box F)


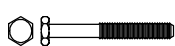

	<table border="1"> <tr> <td data-bbox="462 1825 534 1881">ZZ7</td> <td data-bbox="534 1825 598 1881">x4</td> </tr> </table>	ZZ7	x4		<table border="1"> <tr> <td data-bbox="861 1825 933 1881">ZZ10</td> <td data-bbox="933 1825 997 1881">x2</td> </tr> </table>	ZZ10	x2		<table border="1"> <tr> <td data-bbox="1260 1825 1332 1881">ZZ12</td> <td data-bbox="1332 1825 1396 1881">x4</td> </tr> </table>	ZZ12	x4
ZZ7	x4										
ZZ10	x2										
ZZ12	x4										

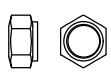

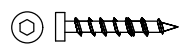
	ZZ13	x2		ZZ14	x2
---	------	----	---	------	----

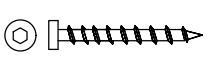
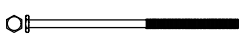
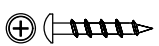


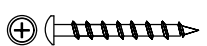
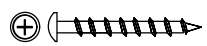
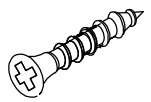
Parts List (Box G)

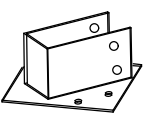
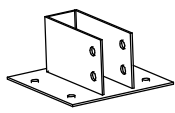
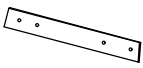
	ZZ4	x4		ZZ15	x4	A	x24+(1)
						M8*165mm	
							


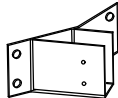
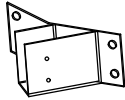
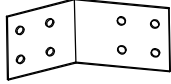
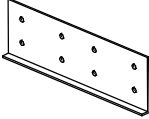


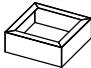


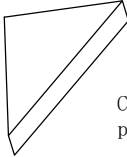

	B	x60+(2)		C	x64+(2)	D	x8+(1)
	M8*45mm			M8*55mm		M8*75mm	
							

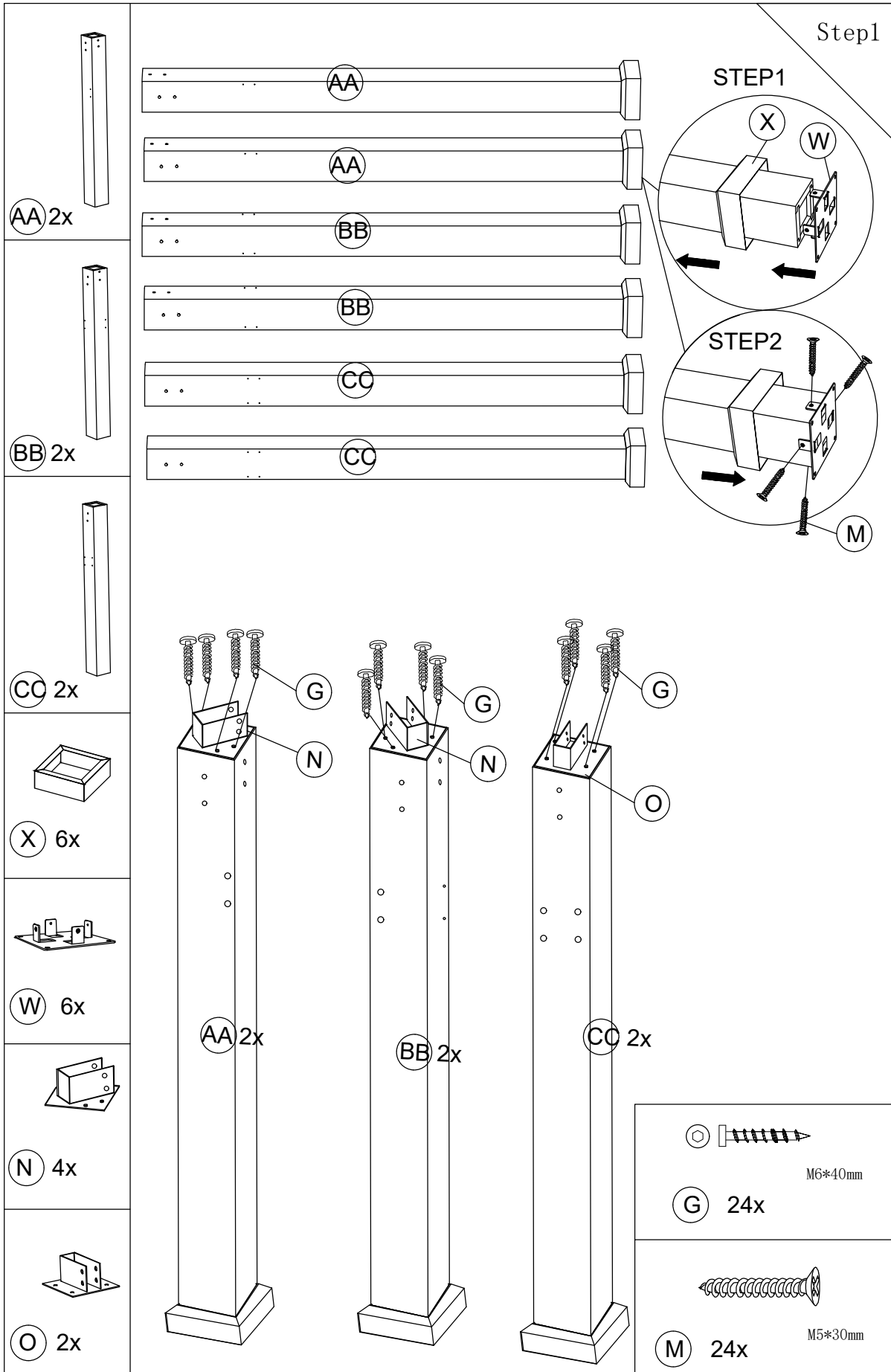
	E	x158+(3)		F	x132+(3)	G	x48+(1)
	M8			ø20*1.4mm		M6*40mm	
							




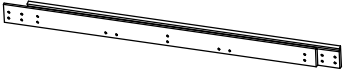



	H	x10+(1)		I	x2	J	x272+(4)
	M6*65mm			M8*185mm		M4*25mm	
							

	K	x68+(2)		L	x144+(3)	M	x28+(1)
	M4*50mm			M4*60mm		M5*30mm	
							

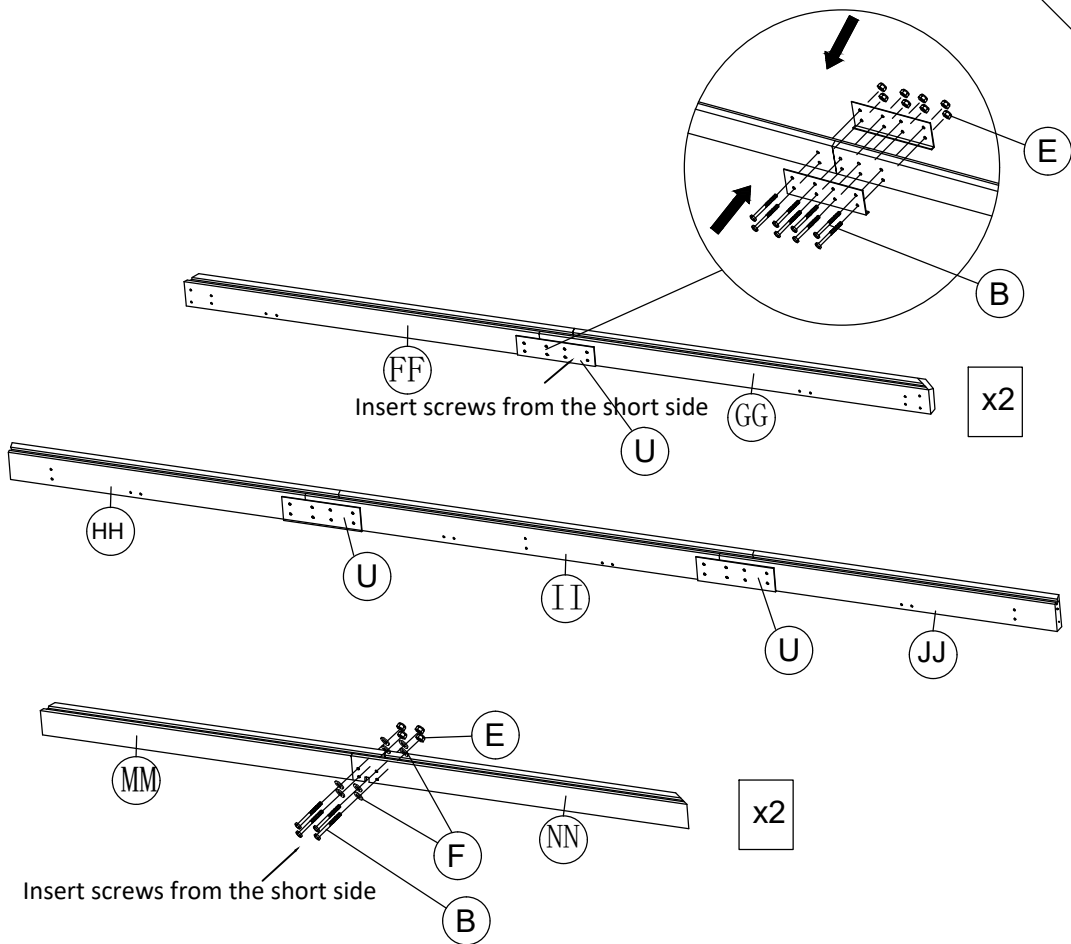
	N	x4		O	x2	P	x2
	115*115*57mm			115*115*57mm		250*30*2mm	
							


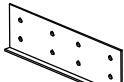
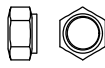

 Asphalt tile	<table border="1"> <tr> <td>Q</td> <td>x6</td> </tr> <tr> <td colspan="2">200*100mm</td> </tr> </table>	Q	x6	200*100mm			<table border="1"> <tr> <td>R</td> <td>x4</td> </tr> <tr> <td colspan="2">128*72.6mm</td> </tr> </table>	R	x4	128*72.6mm			<table border="1"> <tr> <td>S</td> <td>x4</td> </tr> <tr> <td colspan="2">128*72.6mm</td> </tr> </table>	S	x4	128*72.6mm	
Q	x6																
200*100mm																	
R	x4																
128*72.6mm																	
S	x4																
128*72.6mm																	
	<table border="1"> <tr> <td>T</td> <td>x4</td> </tr> <tr> <td colspan="2">156.6*58*70mm</td> </tr> </table>	T	x4	156.6*58*70mm			<table border="1"> <tr> <td>U</td> <td>x12</td> </tr> <tr> <td colspan="2">300*93mm</td> </tr> </table>	U	x12	300*93mm			<table border="1"> <tr> <td>V</td> <td>x2</td> </tr> <tr> <td colspan="2">M8</td> </tr> </table>	V	x2	M8	
T	x4																
156.6*58*70mm																	
U	x12																
300*93mm																	
V	x2																
M8																	
	<table border="1"> <tr> <td>W</td> <td>x6</td> </tr> <tr> <td colspan="2">160*160mm</td> </tr> </table>	W	x6	160*160mm			<table border="1"> <tr> <td>X</td> <td>x6</td> </tr> <tr> <td colspan="2">173*173mm</td> </tr> </table>	X	x6	173*173mm			<table border="1"> <tr> <td>Y</td> <td>x12</td> </tr> <tr> <td colspan="2">ø8*180</td> </tr> </table>	Y	x12	ø8*180	
W	x6																
160*160mm																	
X	x6																
173*173mm																	
Y	x12																
ø8*180																	
	<table border="1"> <tr> <td>Z</td> <td>x4</td> </tr> <tr> <td colspan="2">M6*89mm</td> </tr> </table>	Z	x4	M6*89mm		 Corner protector	<table border="1"> <tr> <td>Z1</td> <td>x4</td> </tr> <tr> <td colspan="2">80*80*15mm</td> </tr> </table>	Z1	x4	80*80*15mm			<table border="1"> <tr> <td>Z2</td> <td>x1</td> </tr> <tr> <td colspan="2">M6</td> </tr> </table>	Z2	x1	M6	
Z	x4																
M6*89mm																	
Z1	x4																
80*80*15mm																	
Z2	x1																
M6																	



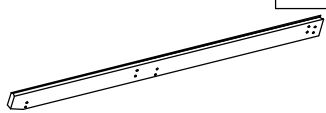
 <p>FF X2</p>	 <p>GG X2</p>	 <p>HH X2</p>
 <p>II X2</p>	 <p>JJ X2</p>	 <p>MM X2</p>
 <p>NN X2</p>		

Step2

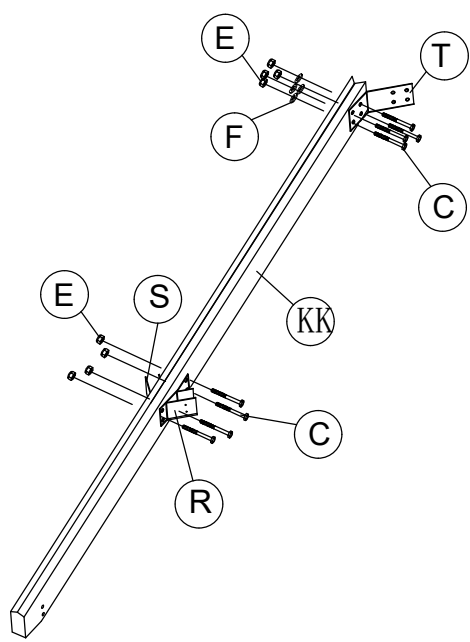


 <p>F 16x $\phi 20 \times 1.4 \text{mm}$</p>	 <p>U 12x 300*93mm</p>	 <p>E 52x M8</p>	 <p>B 52x M8*45mm</p>
--	---	--	--

KK X4

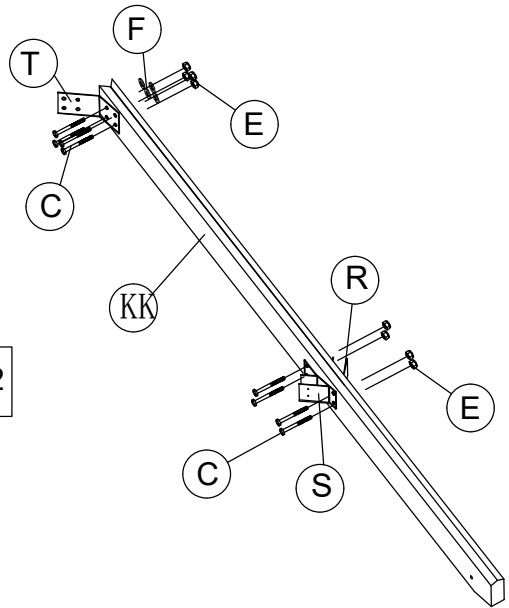


Step3



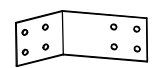
x2

x2



ø20*1.4mm

F 16x



156.6*58*70mm

T 4x



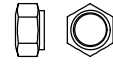
128*72.6mm

R 4x



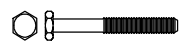
128*72.6mm

S 4x



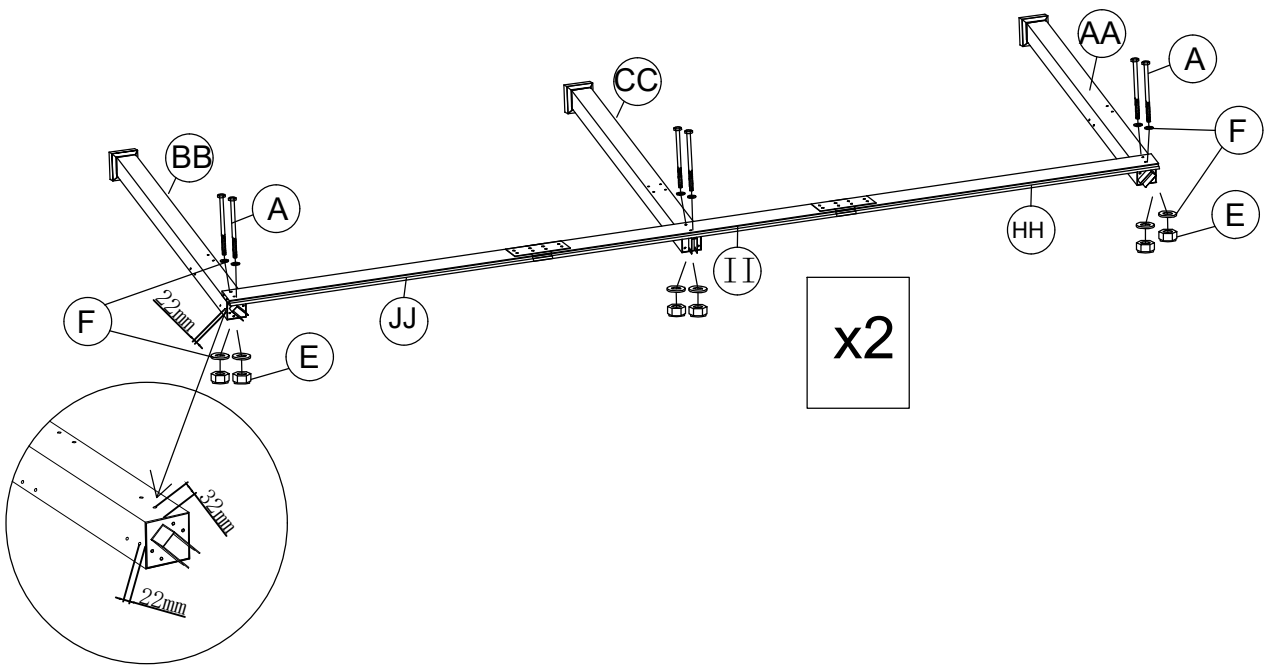
M8



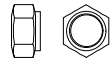
E 32x

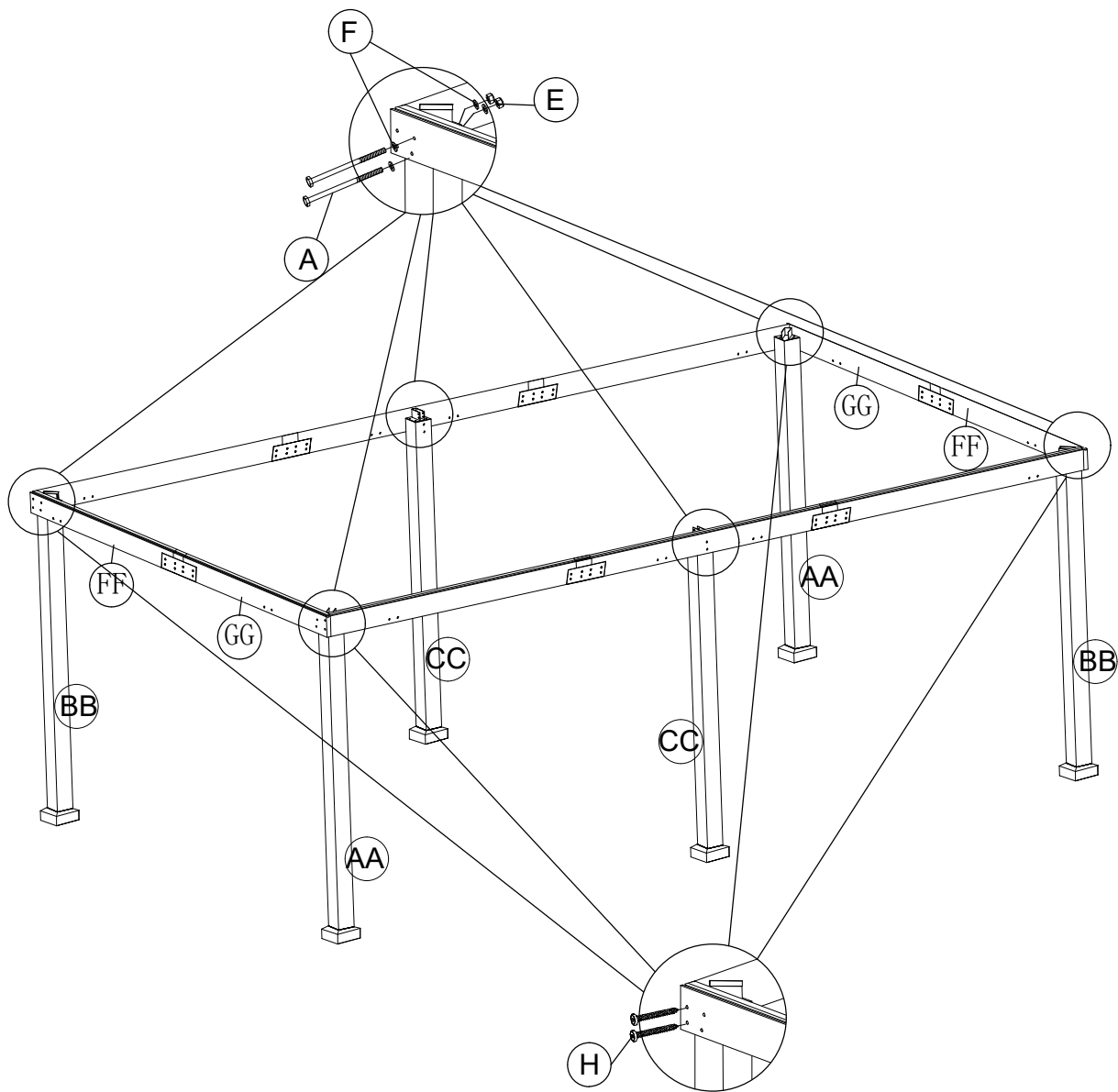


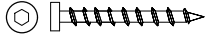


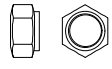
M8*55mm

C 32x



 (A) 12x M8*165mm	 (F) 24x $\phi 20 \times 1.4 \text{mm}$	 (E) 12x M8
---	--	---



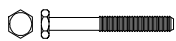
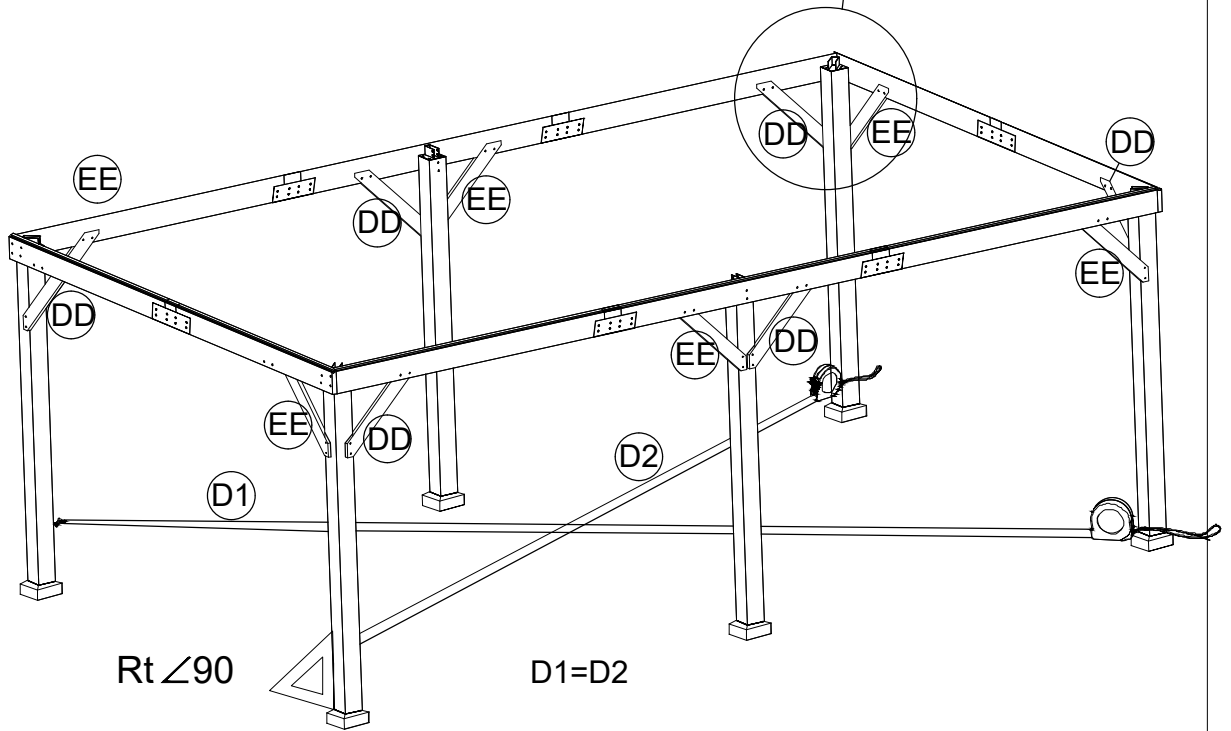
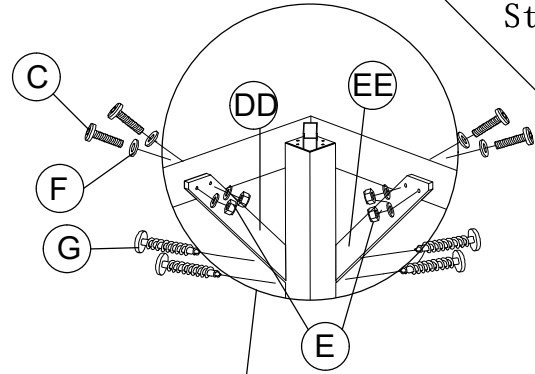
 <p>M6*65mm</p> <p>(H) 8x</p>	 <p>M8*165mm</p> <p>(A) 12x</p>	 <p>ø20*1.4mm</p> <p>(F) 24x</p>	 <p>M8</p> <p>(E) 12x</p>
--	--	--	--

DD X6

EE X6



Step6



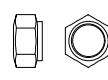
M8*55mm

(C) 24x



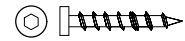
ø20*1.4mm

(F) 48x



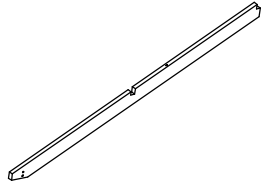
M8

(E) 24x



M6*40mm

(G) 24x

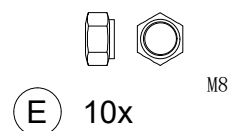
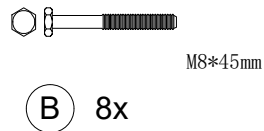
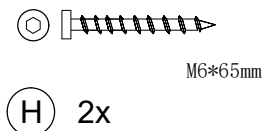
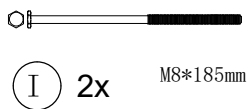
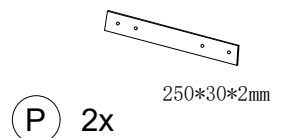
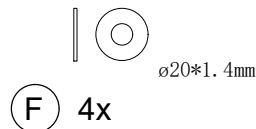
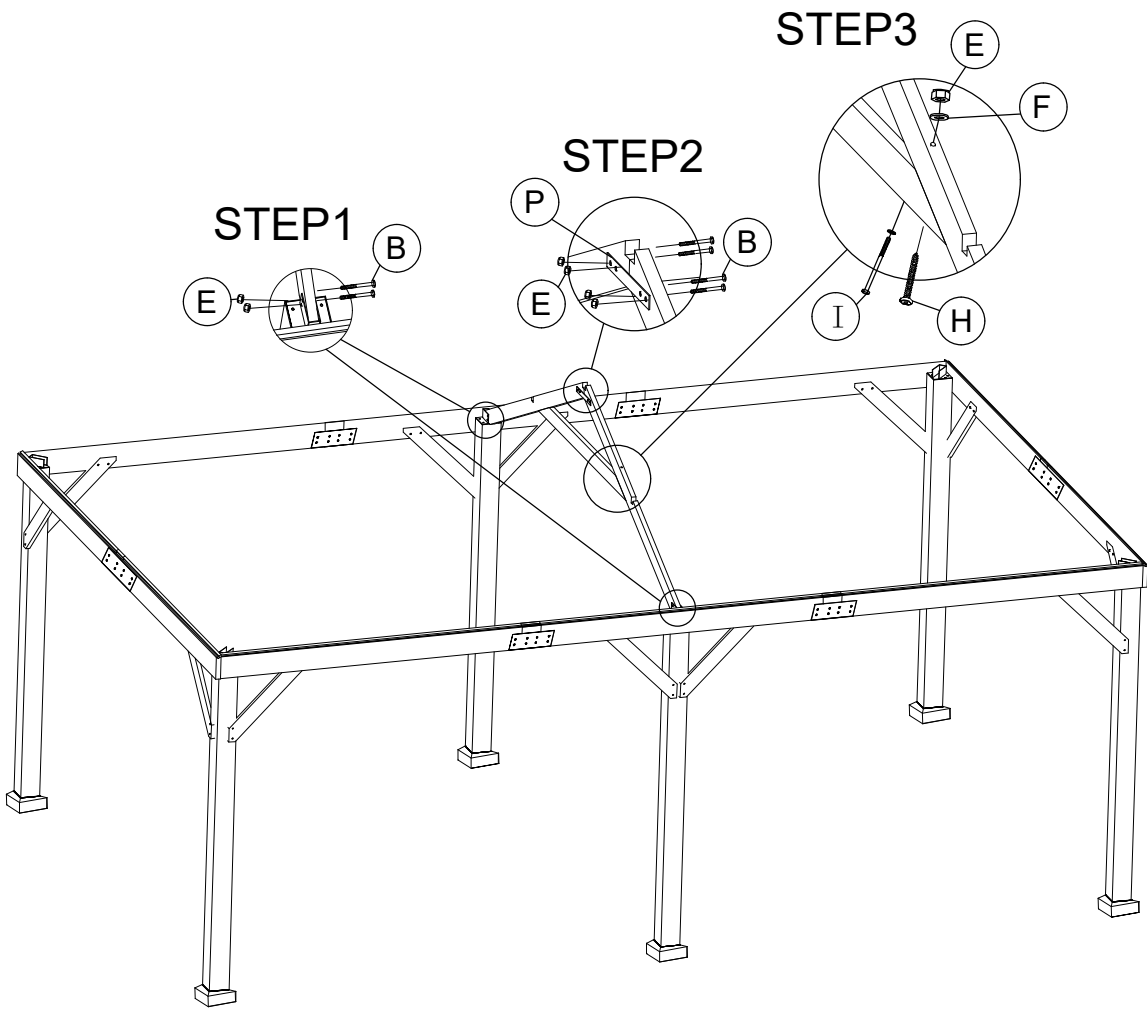


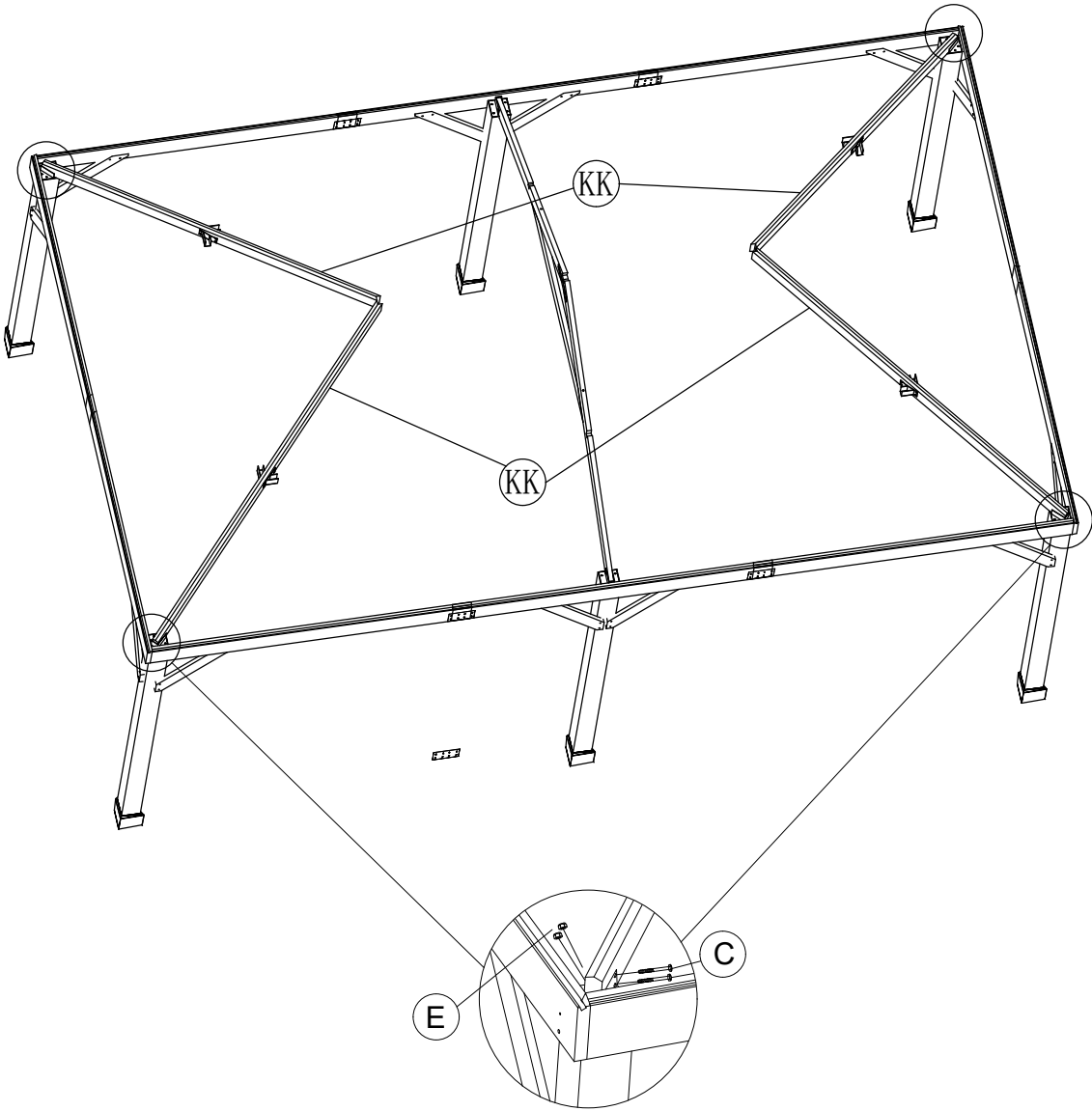
QQ X2


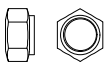


RR X1

Step7

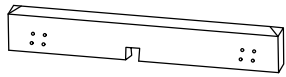




 M8*55mm (C) 8x	 M8 (E) 8x
--	--

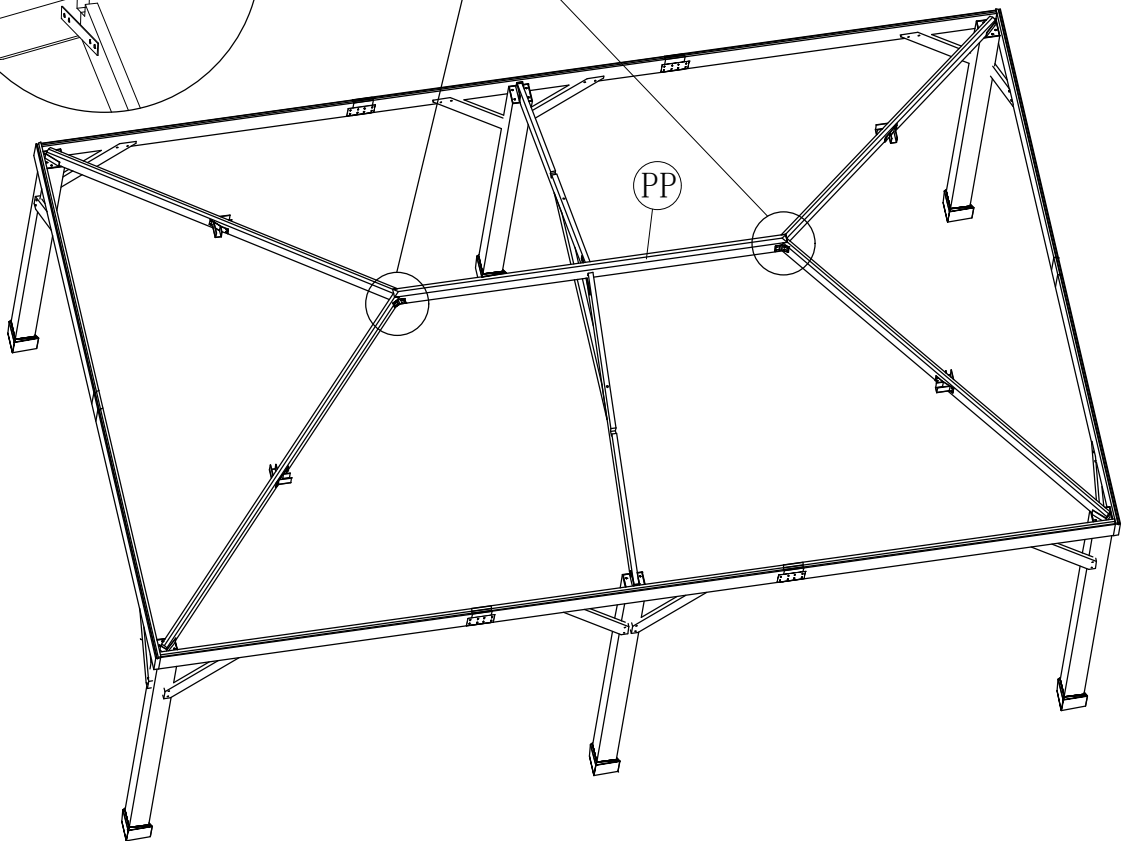
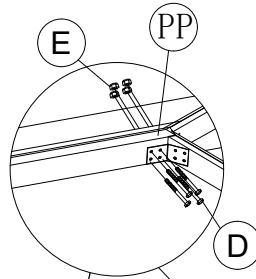
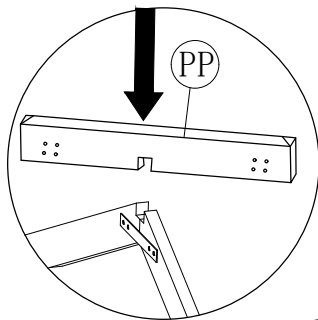
PP X1

Step9



STEP2

STEP1



M8*75mm

(D) 8x



M8

(E) 8x

LL X2



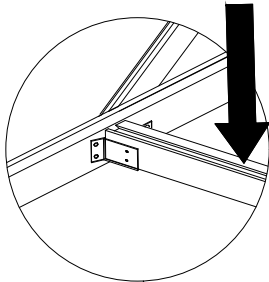
MM X2



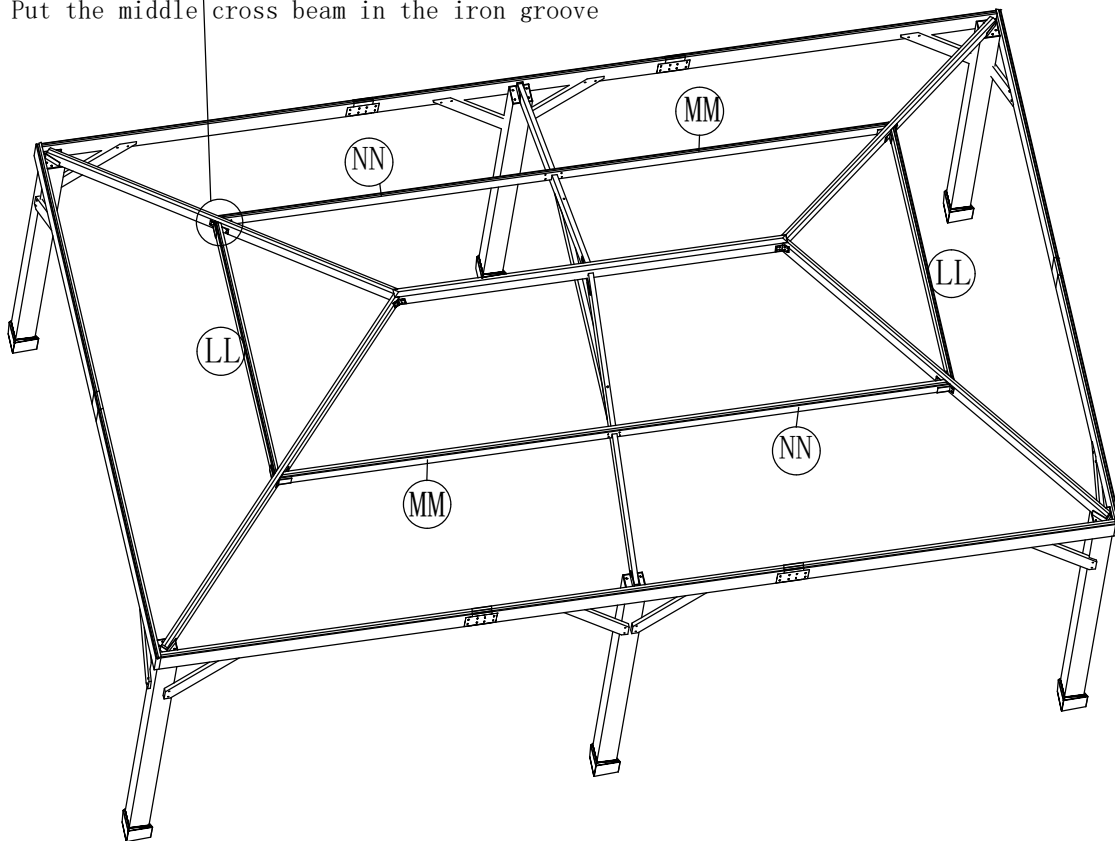
NN X2

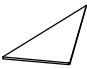
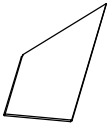
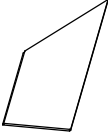
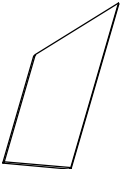
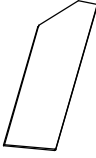
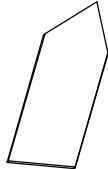
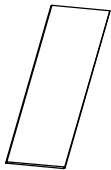


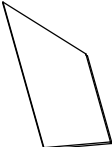




Step10

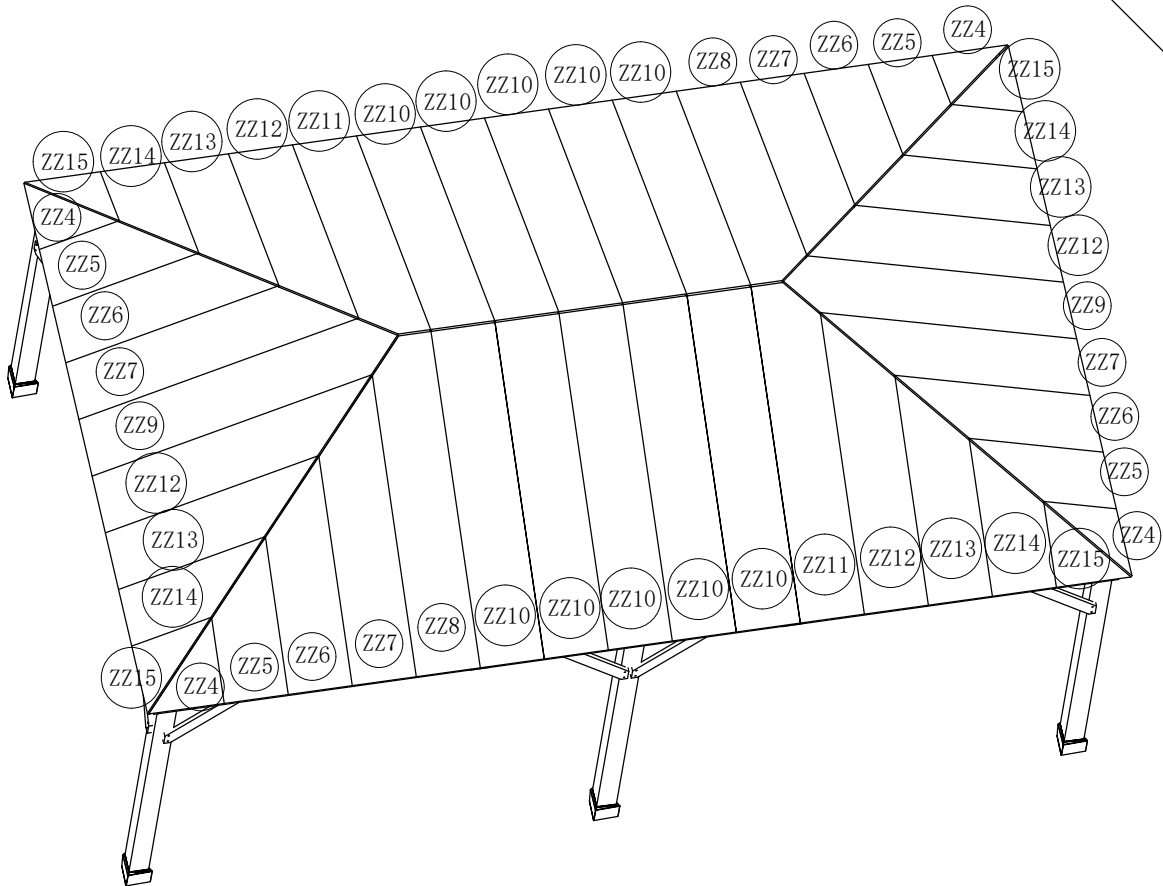


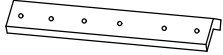
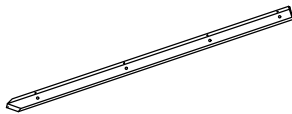
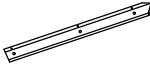

Put the middle cross beam in the iron groove

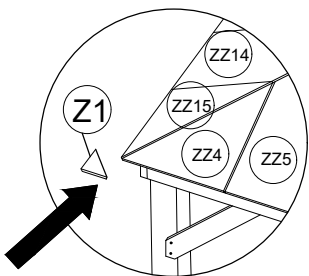


	ZZ4 x4		ZZ5 x4		ZZ6 x4
	ZZ7 x4		ZZ8 x2		ZZ9 x2
	ZZ10 x10		ZZ11 x2		ZZ12 x4
	ZZ13 x4		ZZ14 x4		ZZ15 x4

Step11

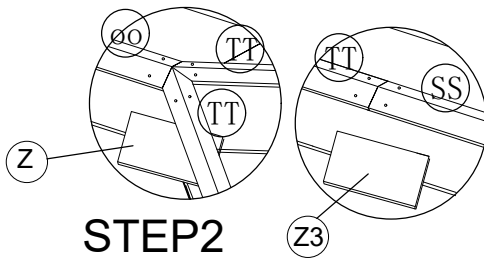


	OO X1		SS X4		TT X4
 <p>Asphalt tile</p>	Q x6 200*100mm	Step12			



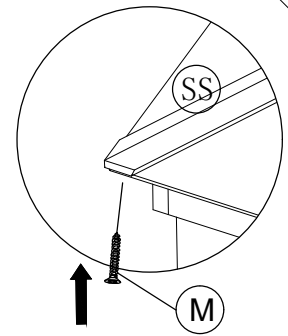
STEP1

Snap the corner protector Z1 into the roof junction



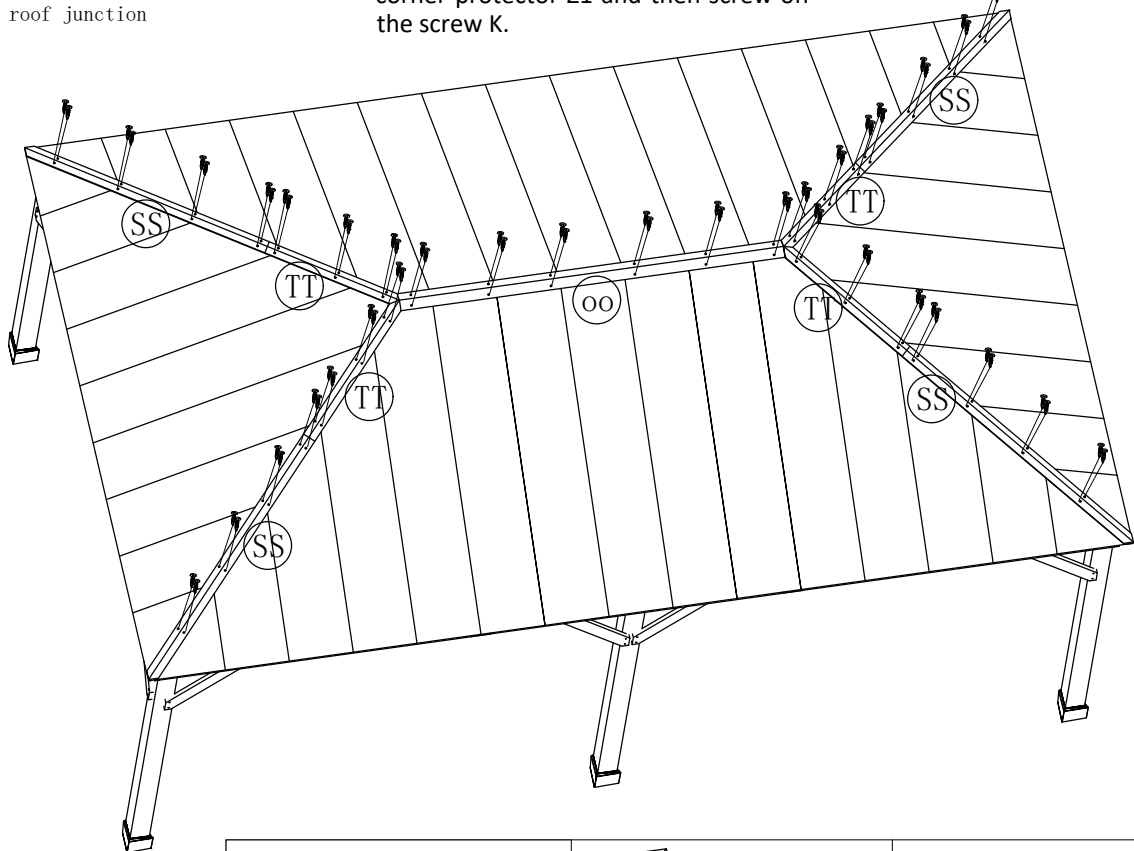
STEP2


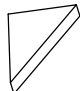
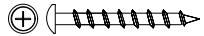
Press asphalt tile Q at the top triangular joint gap(junction of stripes OO and TT), press the sliver TT, SS and the top cover OO on it, then cover the corner protector Z1 and then screw on the screw K.


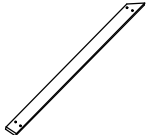
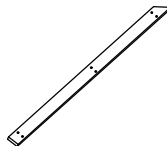
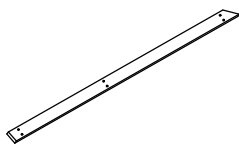
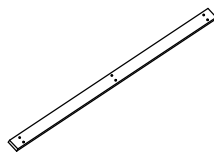
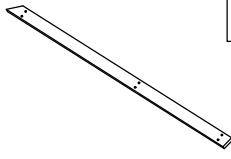
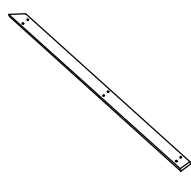
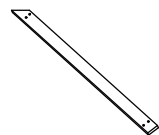



STEP3

Screw the screw M upward at the lower end of corner protector Z1

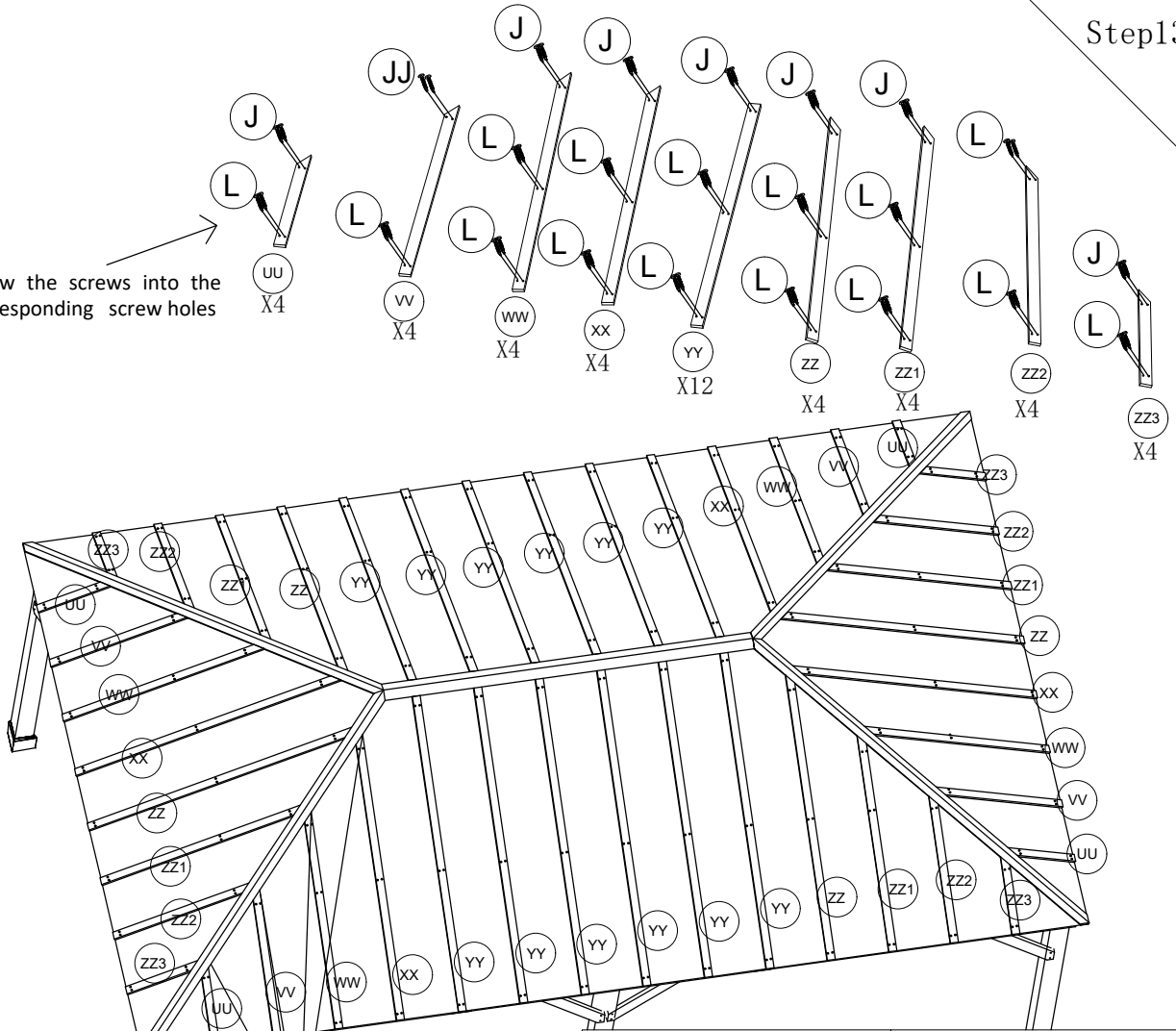


 <p>M 4x M5*30mm</p>	 <p>Corner protector Z1 4x 80*80*15mm</p>	 <p>K 68x M4*50mm</p>
---	--	--

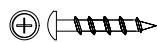
	UU X4		VV X4		WW X4
	XX X4		YY X12		ZZ X4
	ZZ1 X4		ZZ2 X4		ZZ3 X4

Step13

screw the screws into the corresponding screw holes

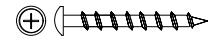


Align the black stripe edge with the diagonal stripe edge, press the top gap, then screw L and J



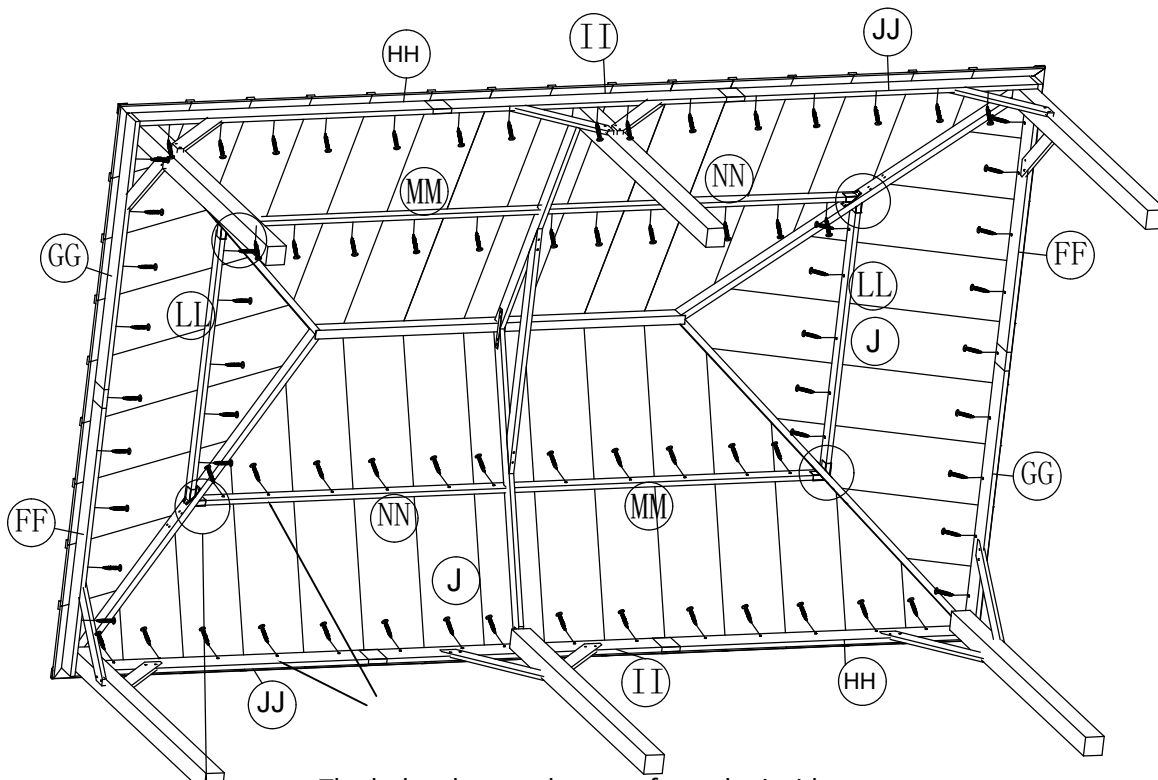
M4*25mm

J 88x



M4*60mm

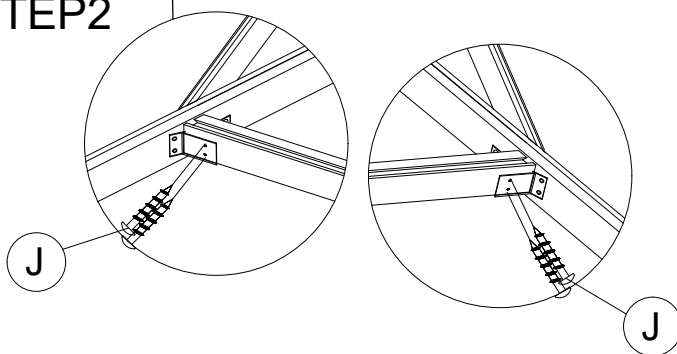
L 144x

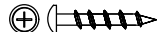


The holes that can be seen from the inside of the top are all fixed with screws #J


- Nail screws #J on each of the four beams(GG,FF)*2,the total number is 18
- Nail screws #J on each of the six beams(JJ,HH ,II)*2,the total number is 30
- Nail screws #J on each of the two beams(LL)*2,the total number is 10
- Nail screws #J on each of the four beams(MM,NN)*2,the total number is 22

STEP2

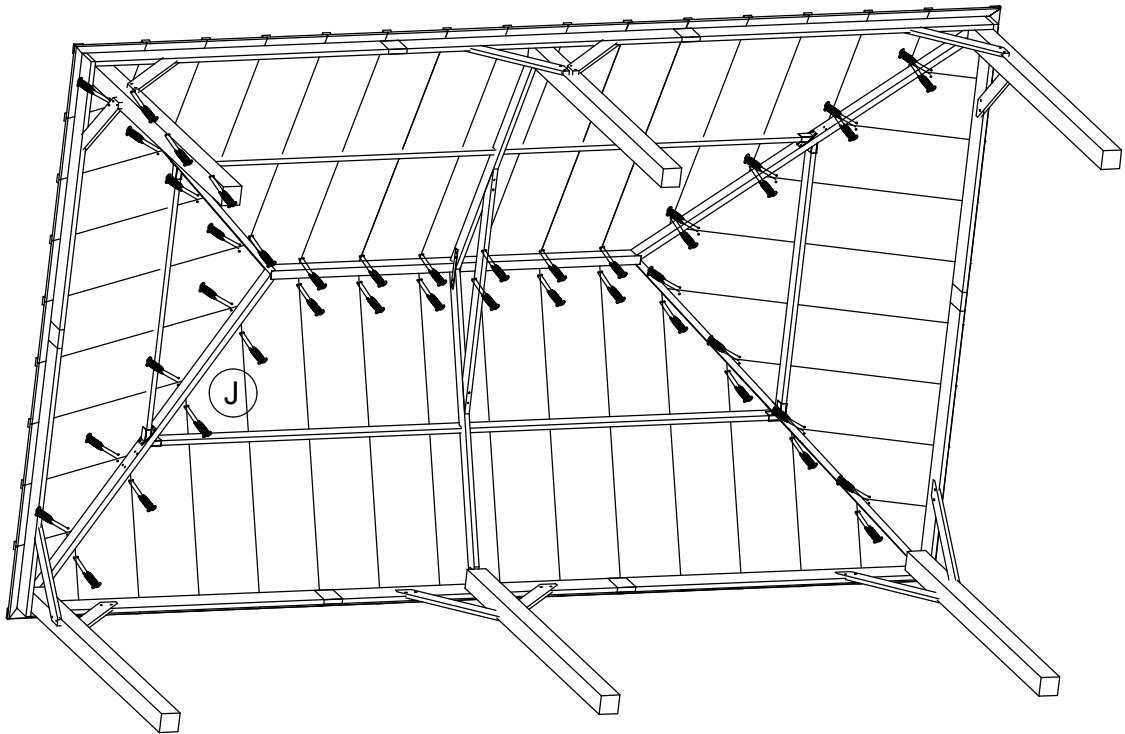




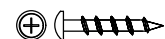
M4*25mm



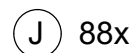
96x



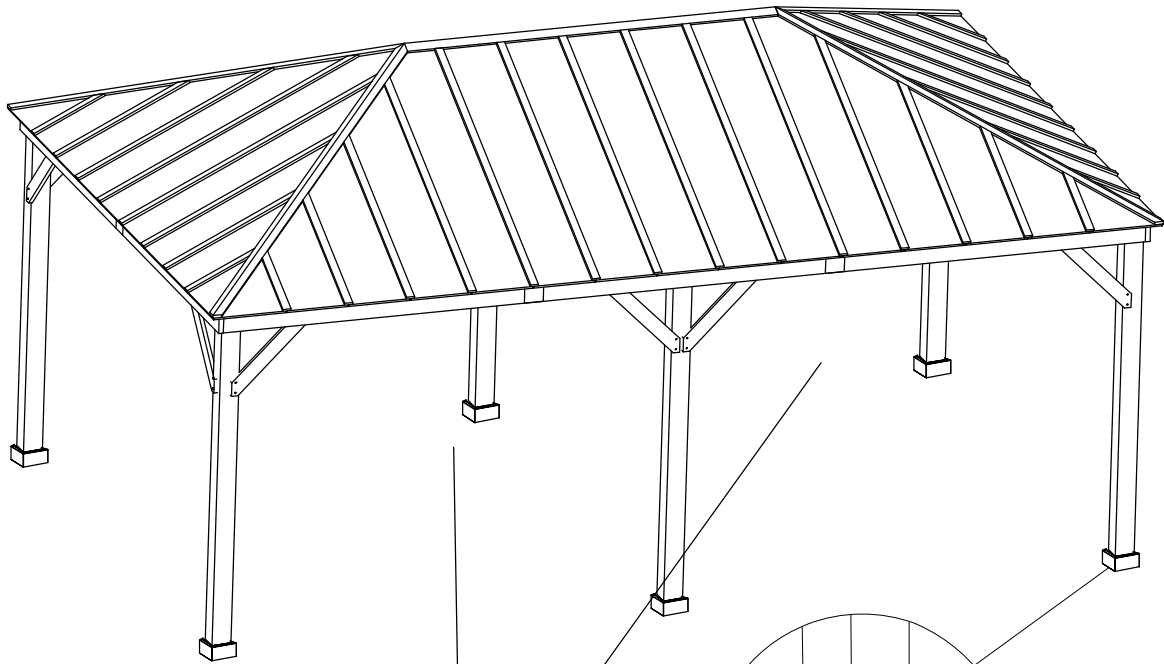
- Screw #J on the 4 top plates #ZZ4, the total number is 4
- Screw #J on the 4 top plates #ZZ5, the total number is 8
- Screw #J on the 4 top plates #ZZ6, the total number is 8
- Screw #J on the 4 top plates #ZZ7, the total number is 8
- Screw #J on the 2 top plates #ZZ8, the total number is 4
- Screw #J on the 2 top plates #ZZ9, the total number is 4
- Screw #J on the 10 top plates #ZZ10, the total number is 20
- Screw #J on the 2 top plates #ZZ11, the total number is 4
- Screw #J on the 4 top plates #ZZ12, the total number is 8
- Screw #J on the 4 top plates #ZZ13, the total number is 8
- Screw #J on the 4 top plates #ZZ14, the total number is 8
- Screw #J on the 4 top plates #ZZ15, the total number is 4



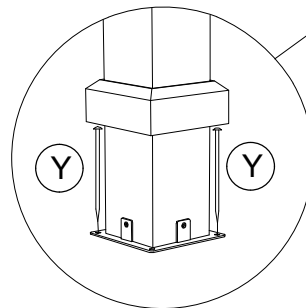
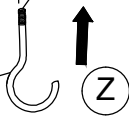
M4*25mm





88x



#Z hooks can be freely assembled under the wooden beam



*You can choose where to mount the hooks according to your needs, but be careful when screwing the hooks into the wood or you may crack the wood slightly

 <p>M6*89mm</p> <p>Z 4x</p>	 <p>ø8*180mm</p> <p>Y 12x</p>
---	---