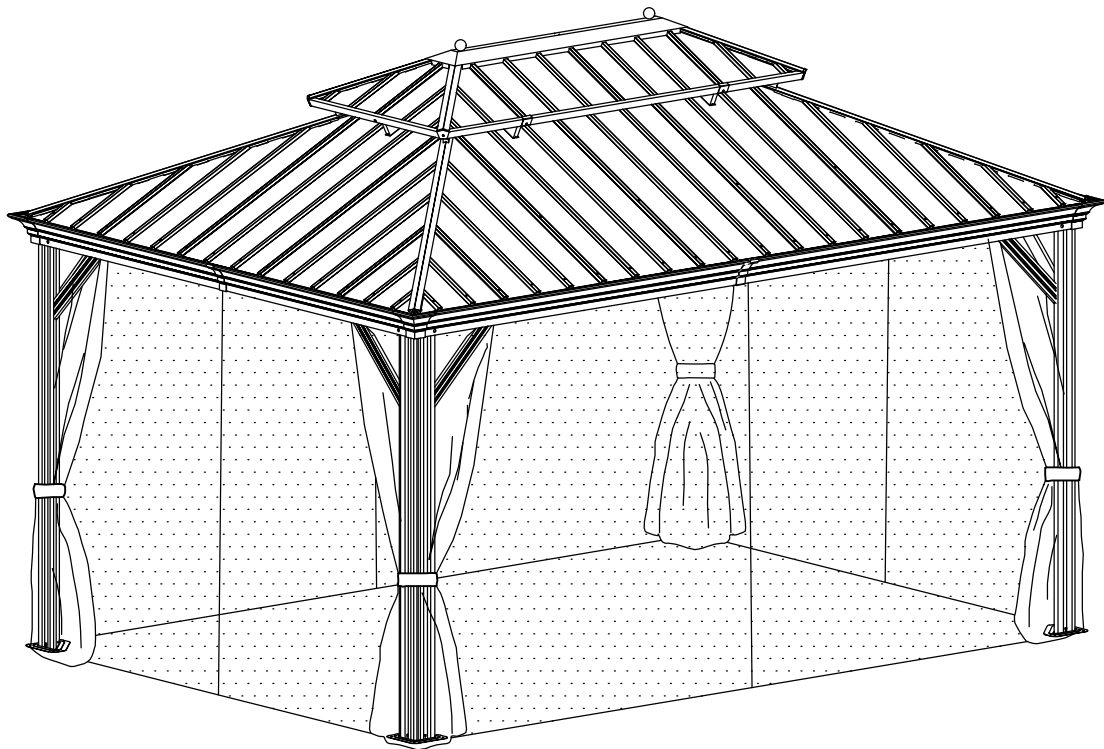


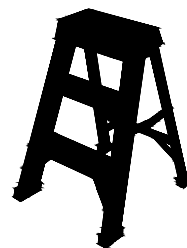
# 10 x 14FT

|| || || || || || || || ZHG053TN || || || || || || || ||



Need at least four people to work together

## REQUIRED TOOLS





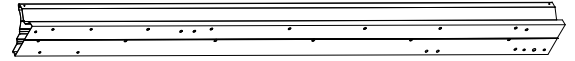
(A) 4x



(B9) 2x



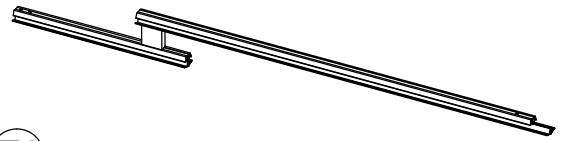
(B10) 2x



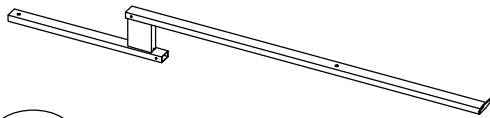
(B13) 2x



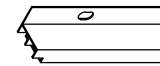
(B14) 2x



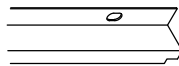
(E9) 4x



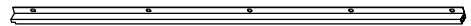
(E11) 6x



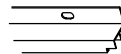
(C3) 2x



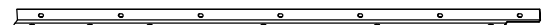
(C4) 2x



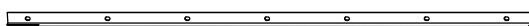
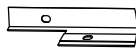
(C9) 2x



(C10) 2x



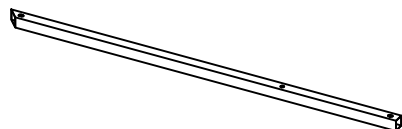
(D9) 4x



(D10) 4x



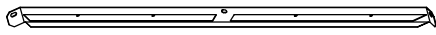
(D16) 2x



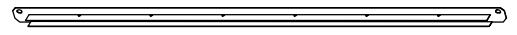
(F7) 8x



(F11) 2x



G1 2x



G10 2x



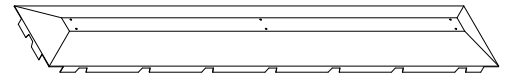
I1 2x



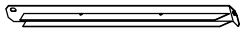
I10 2x



L3C 1x



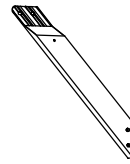
M3b 1x



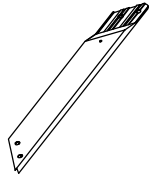
G13 2x



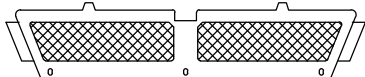
G14 2x



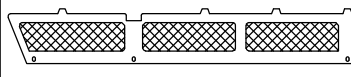
H 4x



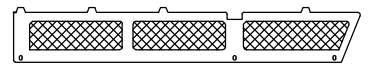
H1 4x



V1 2x



V7a 2x



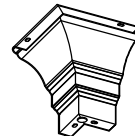
V7b 2x



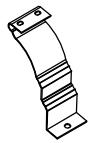
N 8x



N1 4x



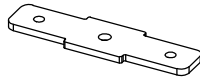
K 4x



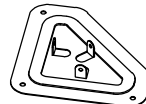
K1 4x



W 4x



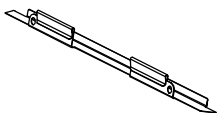
W1 6x



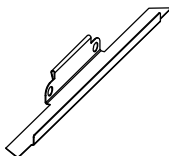
J 4x



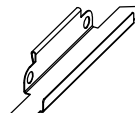
V 4x



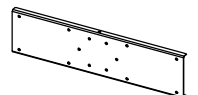
Z 48x





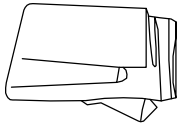
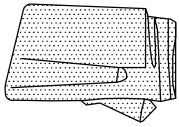
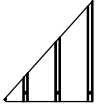
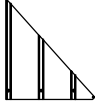
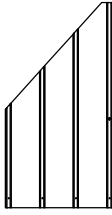
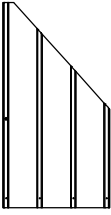
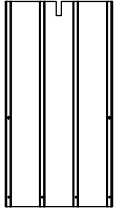
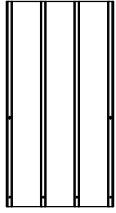
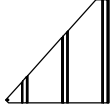
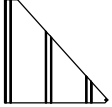
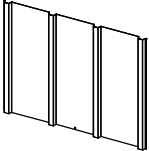
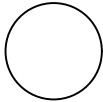

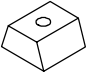



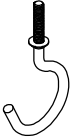




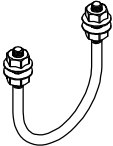


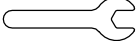

Z1 16x



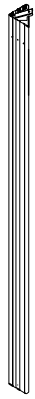
Z2 8x



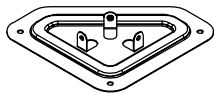
P 4x

|  |   |   |   |
|--|---|---|---|
| <br>W3 8x              | <br>W4 8x            | <br>T 4x                   | <br>T1 4x     |
| <br>R1 4x             | <br>R2 4x            | <br>Q3 4x                | <br>Q4 4x    |
| <br>Q7 6x             | <br>Q8 2x            | <br>S1 4x                | <br>S2 4x    |
| <br>S3 4x            | <br>Za 2x           | <br>U 112x              | <br>Y 80x   |
| <br>M6x15<br>1 267x | <br>M6x23<br>2 68x | <br>ST 4.8x12<br>4 24x | <br>5 2x   |
| <br>M6x47<br>7 12x  | <br>8 16x          | <br>M6x10<br>9 10x     | <br>10 12x |
| <br>11 1x           | <br>4mm<br>12 2x   | <br>6mm<br>13 1x        | <br>14 1x  |
| <br>M5x15<br>15 40x |   |   |   |

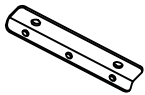
<1>



A 4x



J 4x



W3 8x



W4 8x



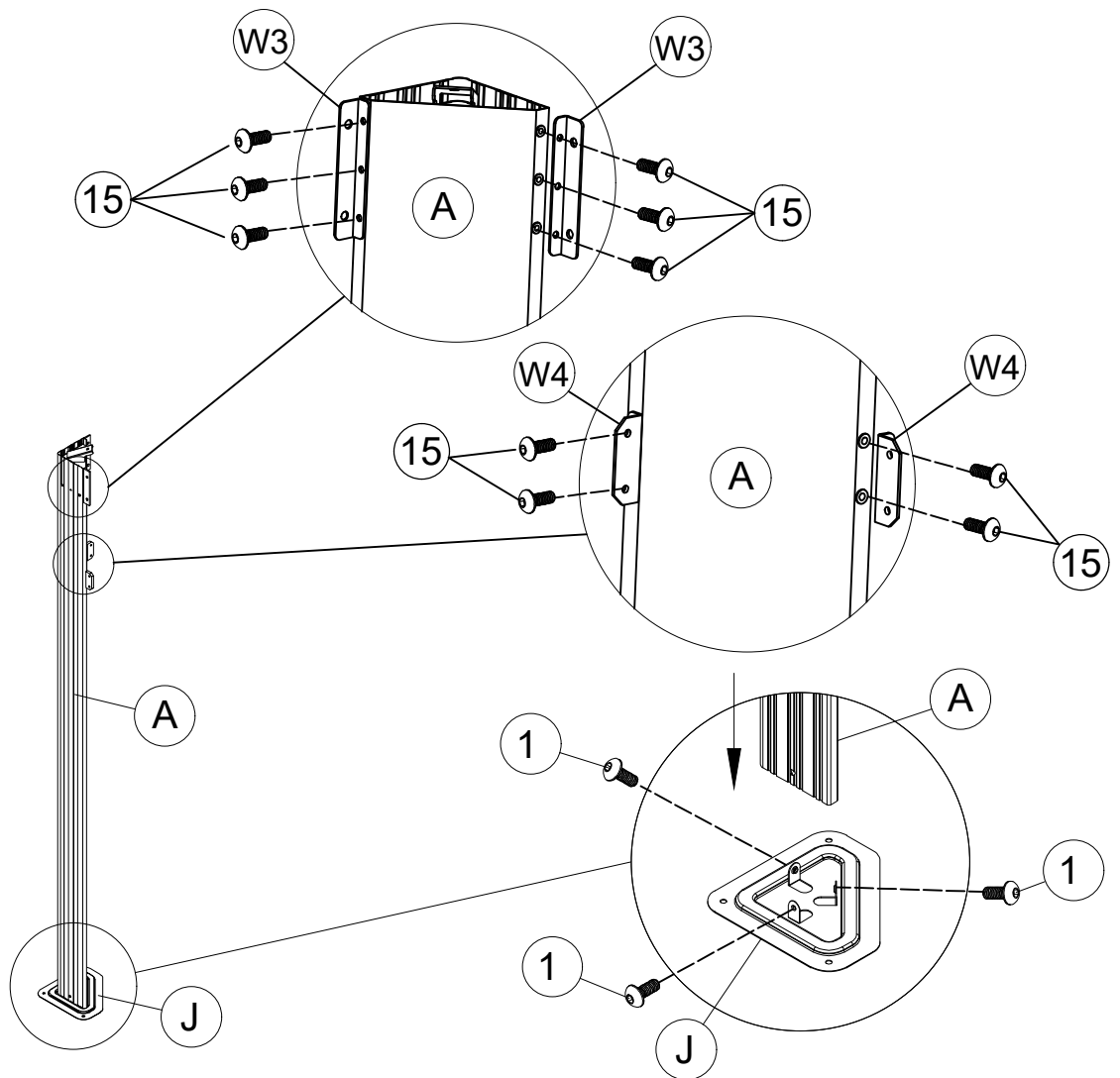
M6x15

1 12x

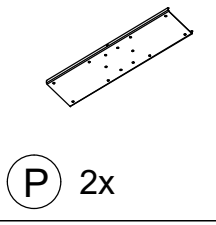
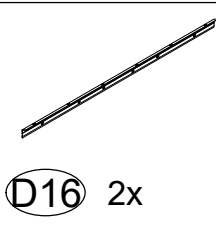
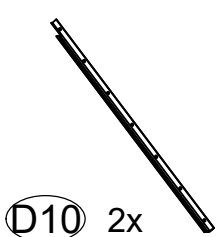
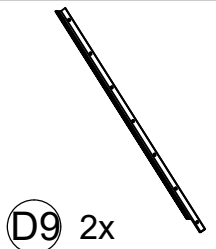
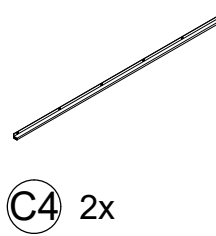
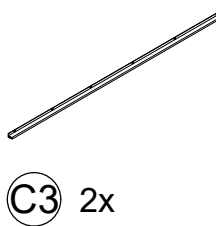
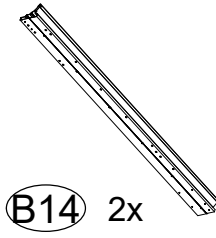
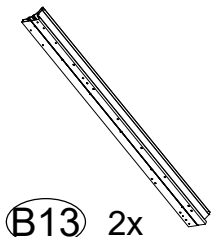


M5x15

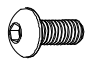
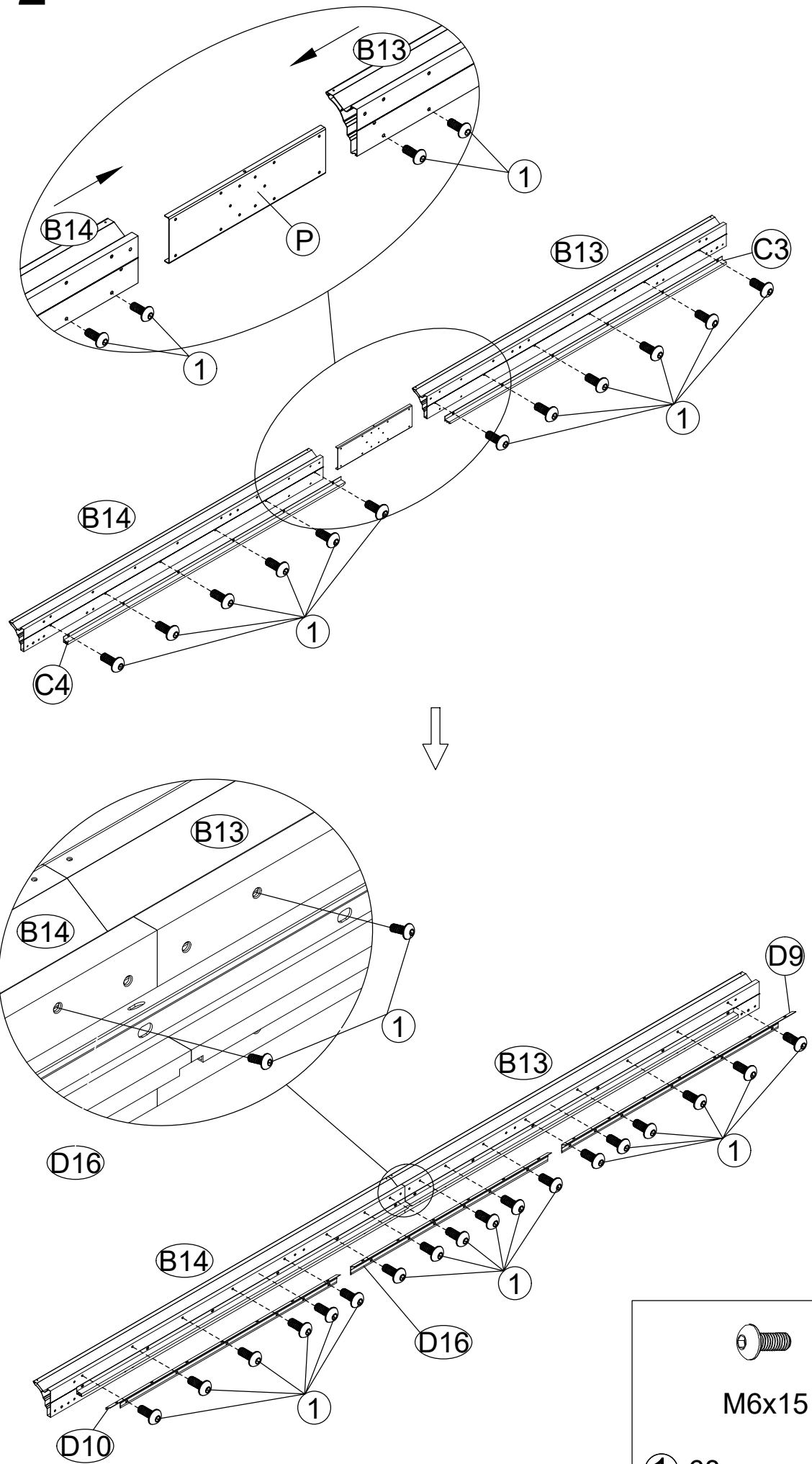
15 40x



<2>



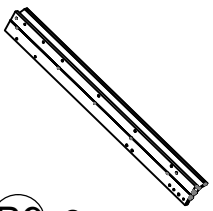
6



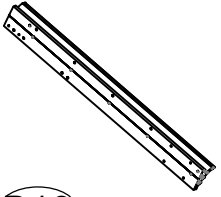
M6x15

① 68x

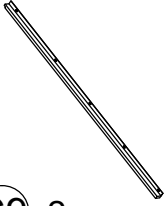
<3>



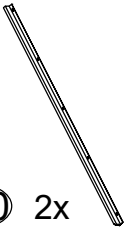
B9 2x



B10 2x



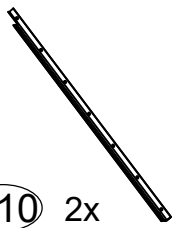
C9 2x



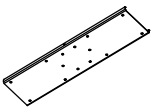
C10 2x



D9 2x



D10 2x



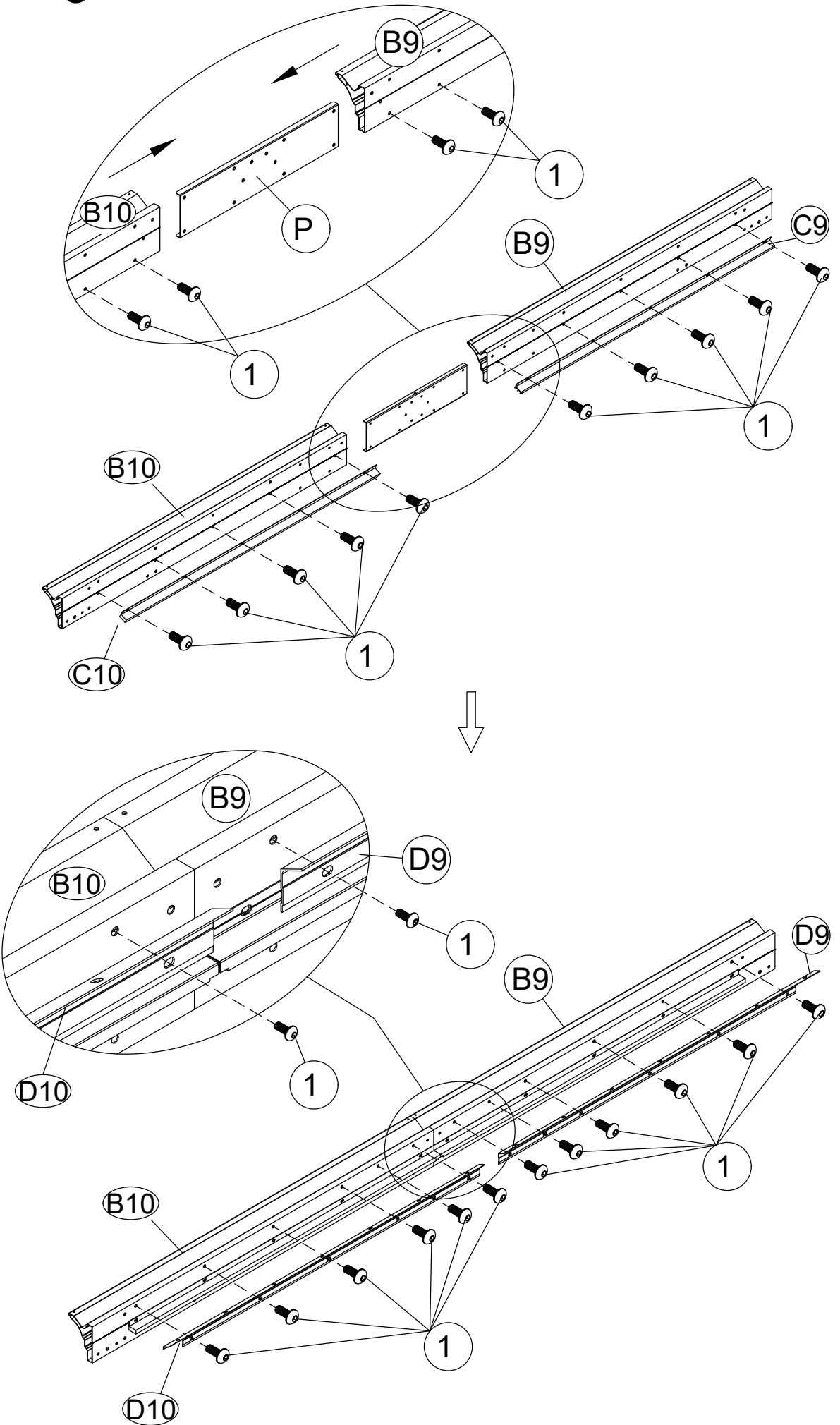
P 2x



M6x15

1 52x

7





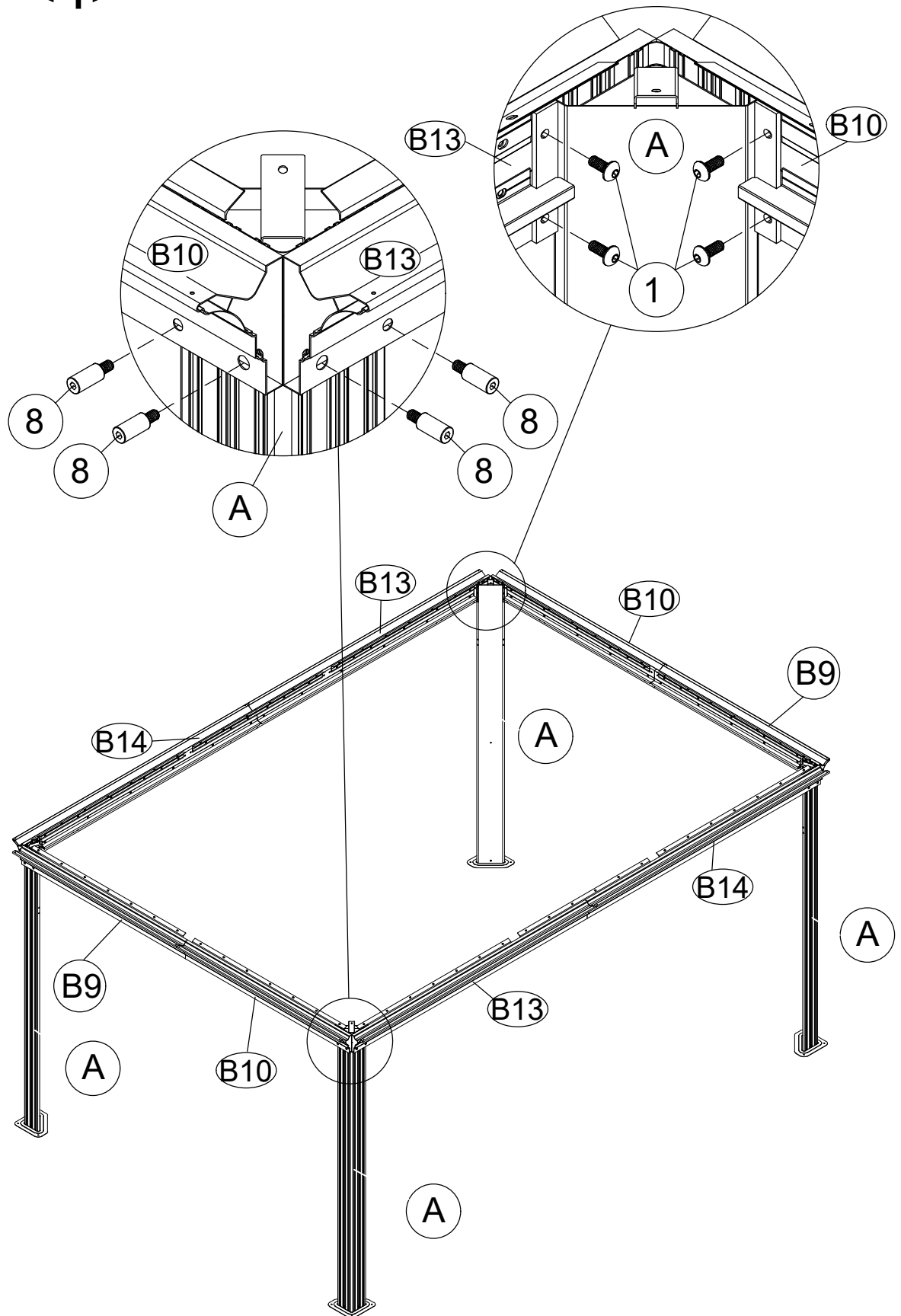
M6x15

1 16x

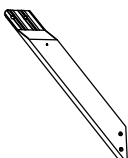
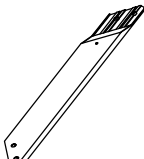




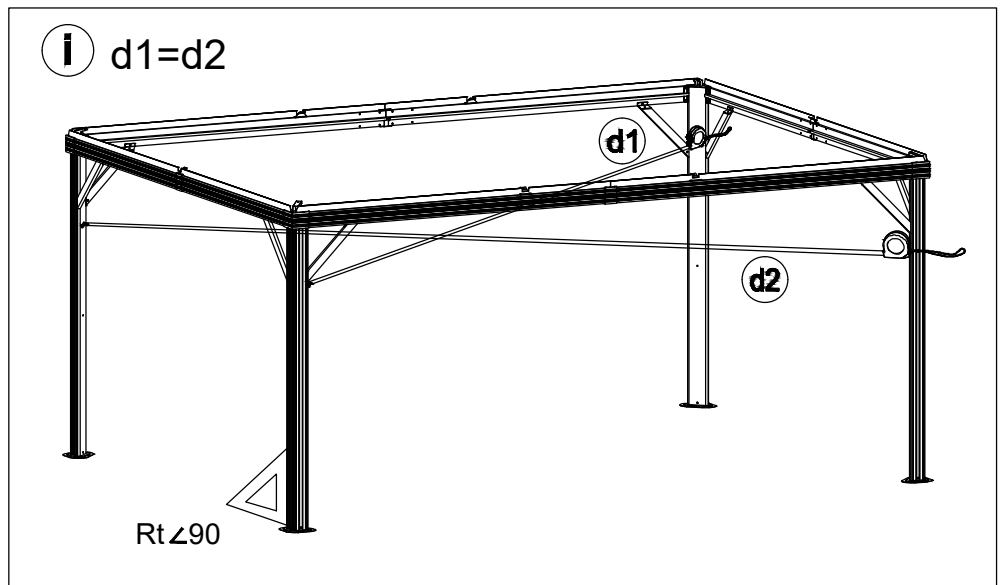
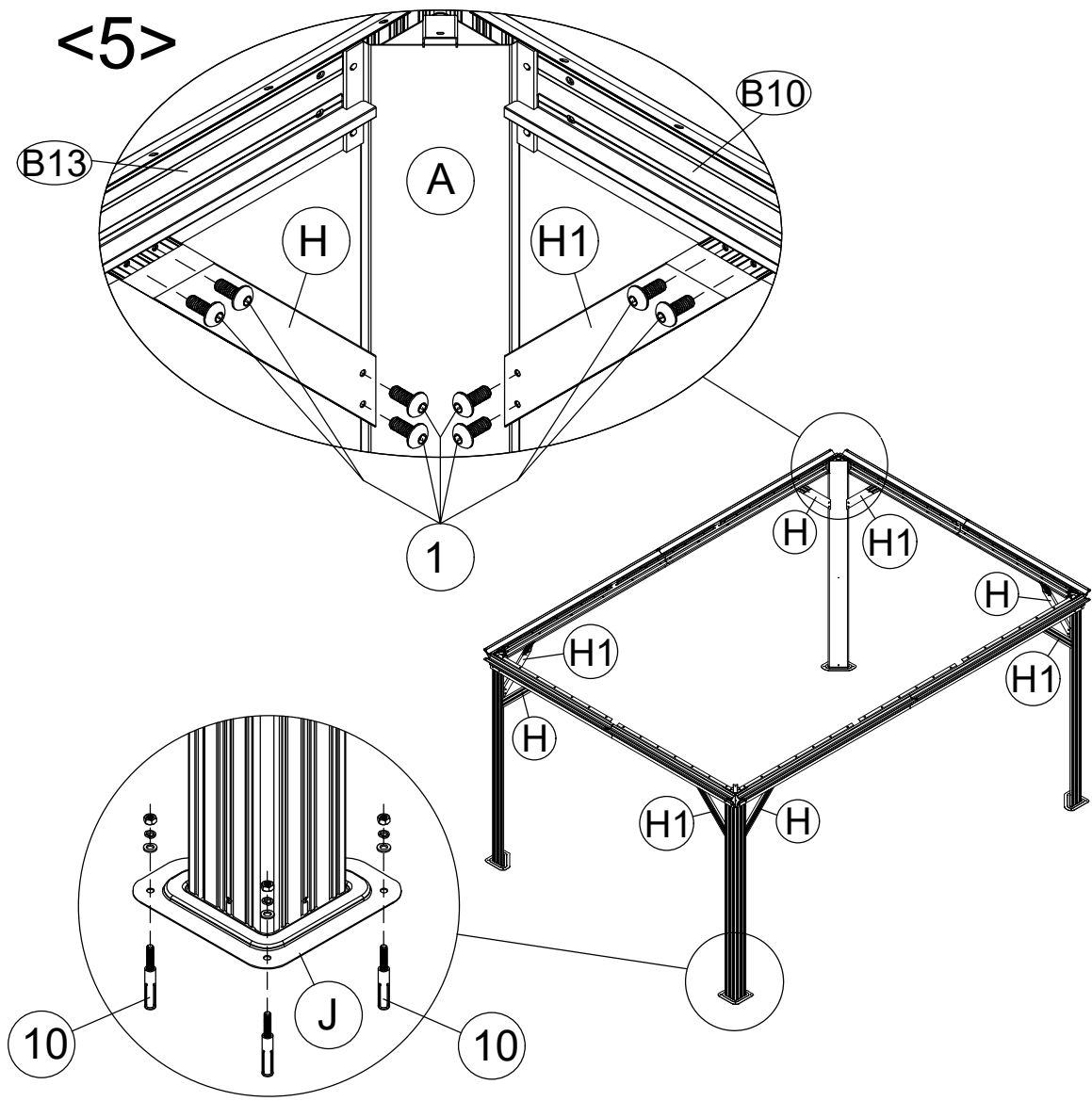
8 16x

<4>



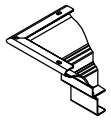


-  **H** 4x
-  **H1** 4x
-  **1** 32x  
M6x15
-  **10** 12x



Tips: Please measure to make sure the length of  $d1$  is equal to  $d2$  before moving to next step to ensure a square frame and best results. Keep the beam at right angles to the post, the post at right angles to the ground, and keep the beam horizontal.

<6>



K 4x



K1 4x



U 112x



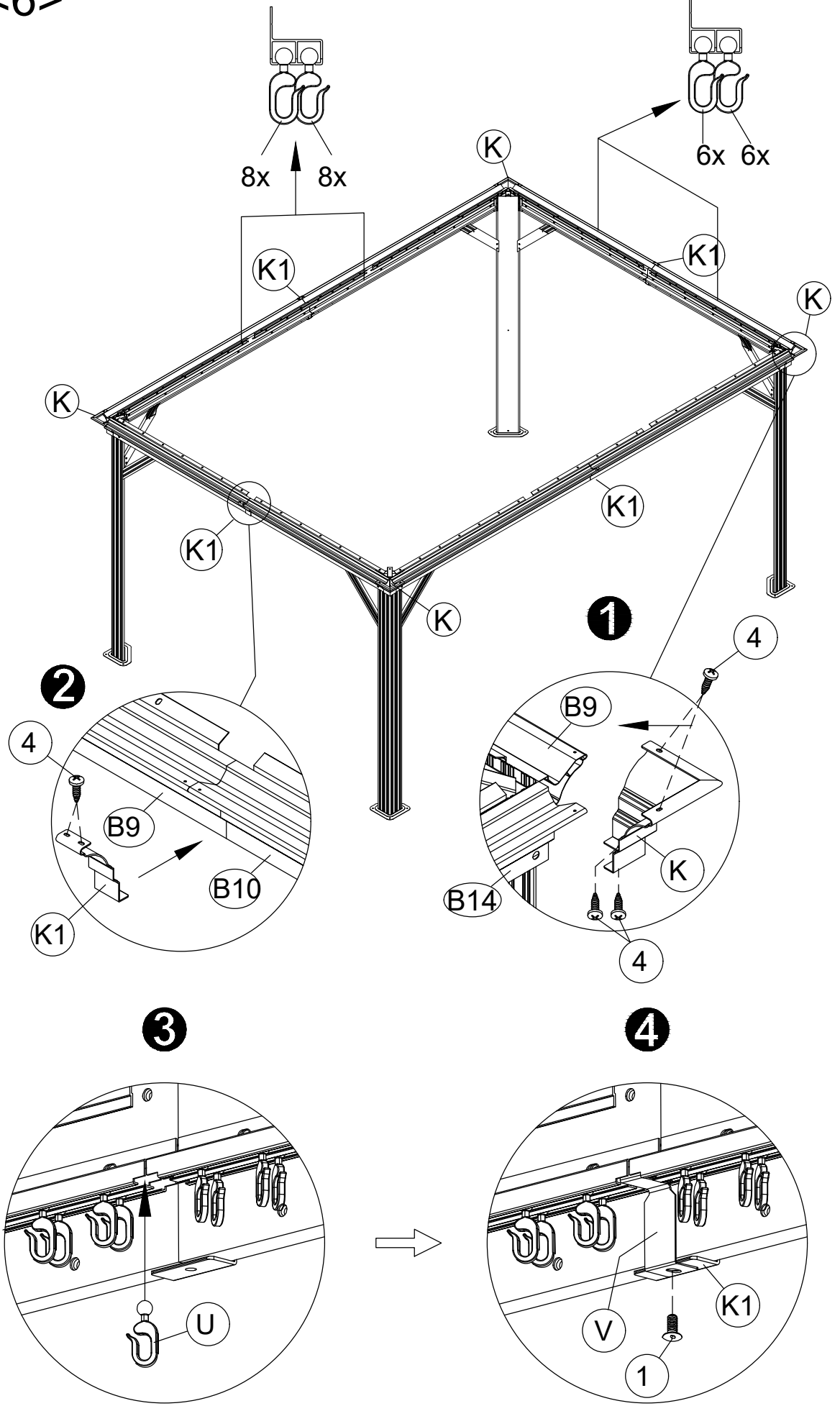
V 4x



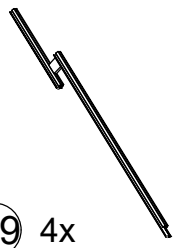
1 4x M6x15



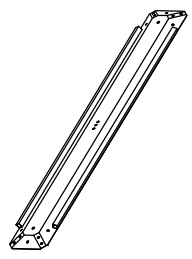
4 24x ST4.8x12



E9 4x

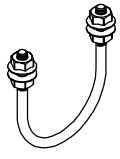


L3C 1x



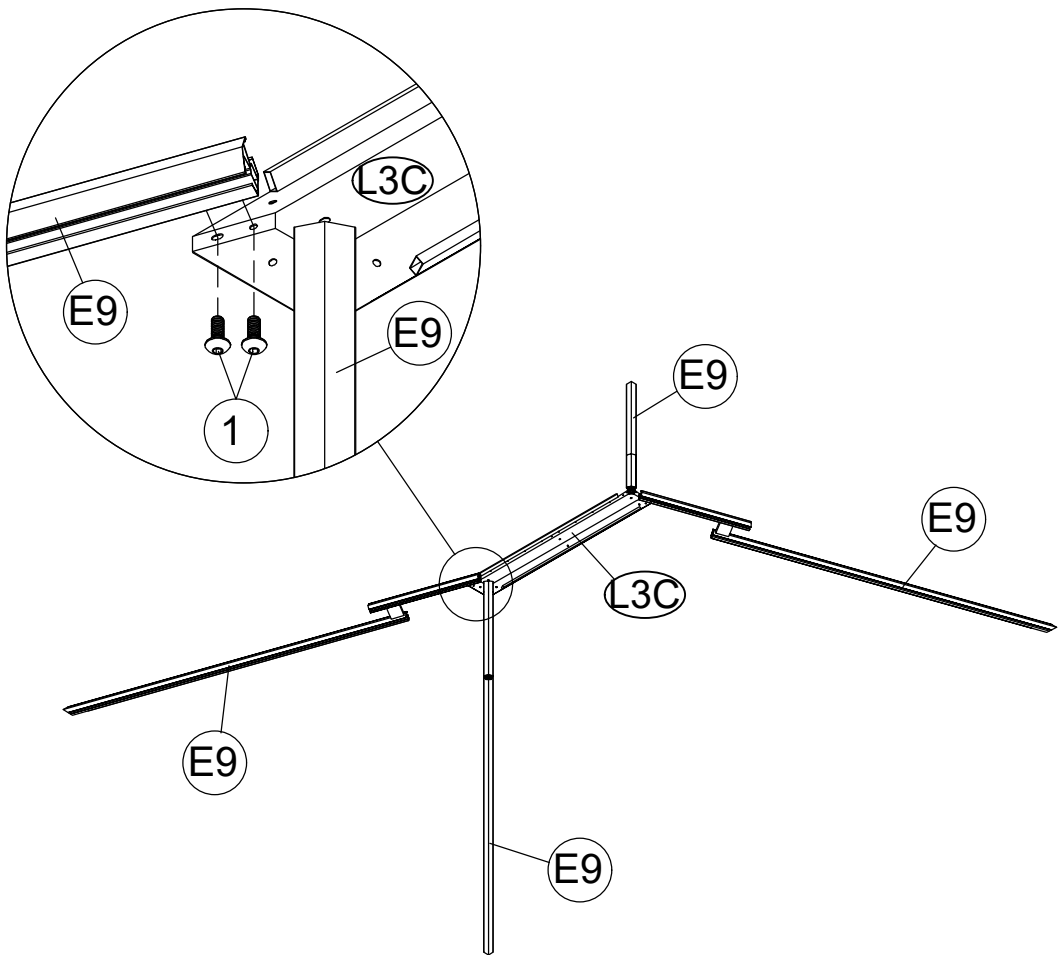
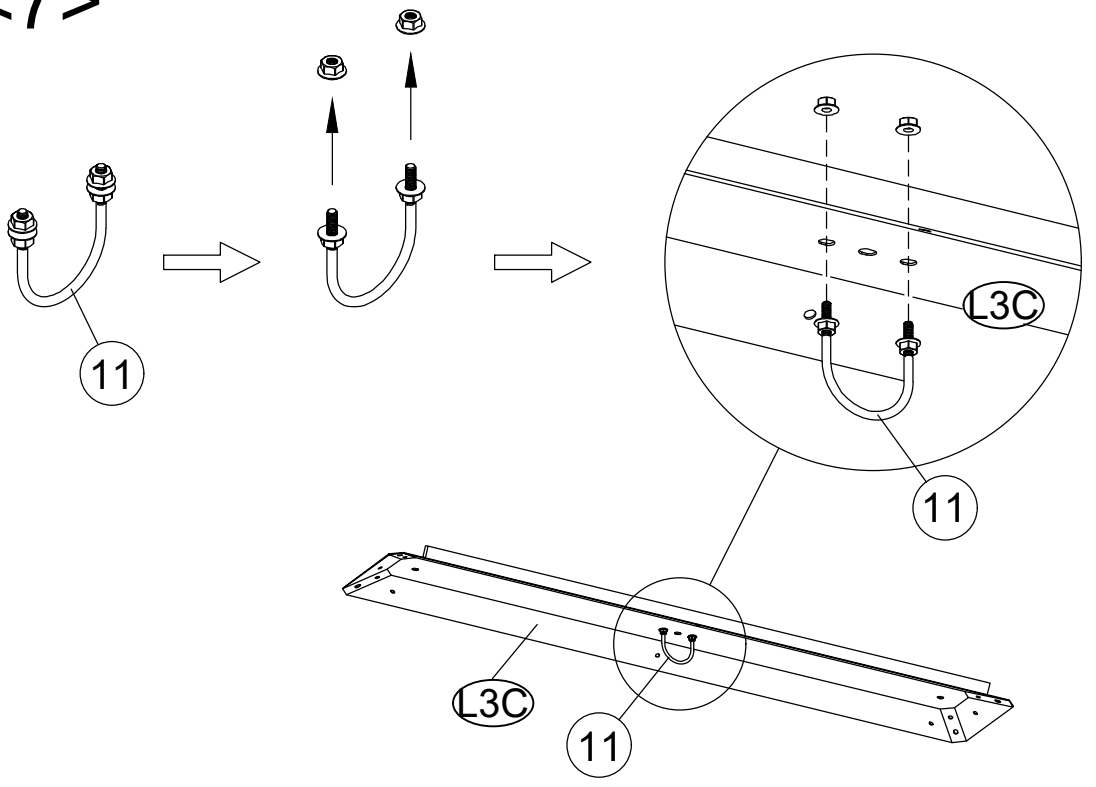
M6x15

1 8x



11 1x

<7>



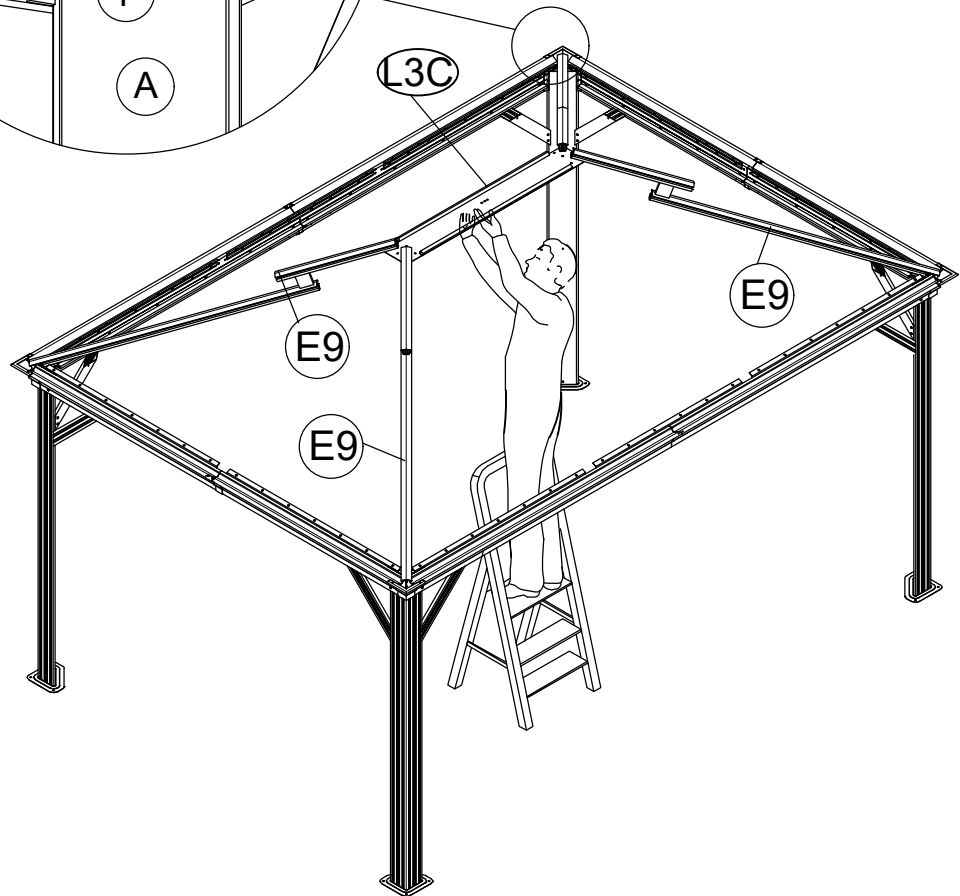
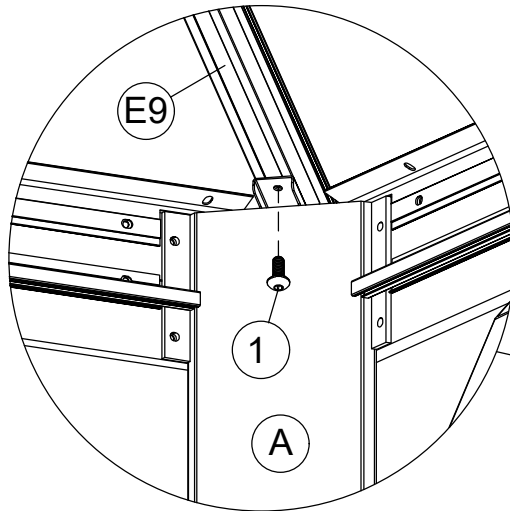
11



M6x15

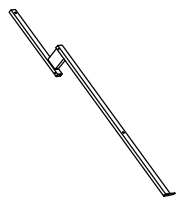
① 4x

<8>



Note:

1. Let one person stand on the ladder to lift "L3C" and hold and let others fasten the screws connecting both ends of "E9".
2. Please do not let go of holding "L3C" until all the "E9" screws are installed.



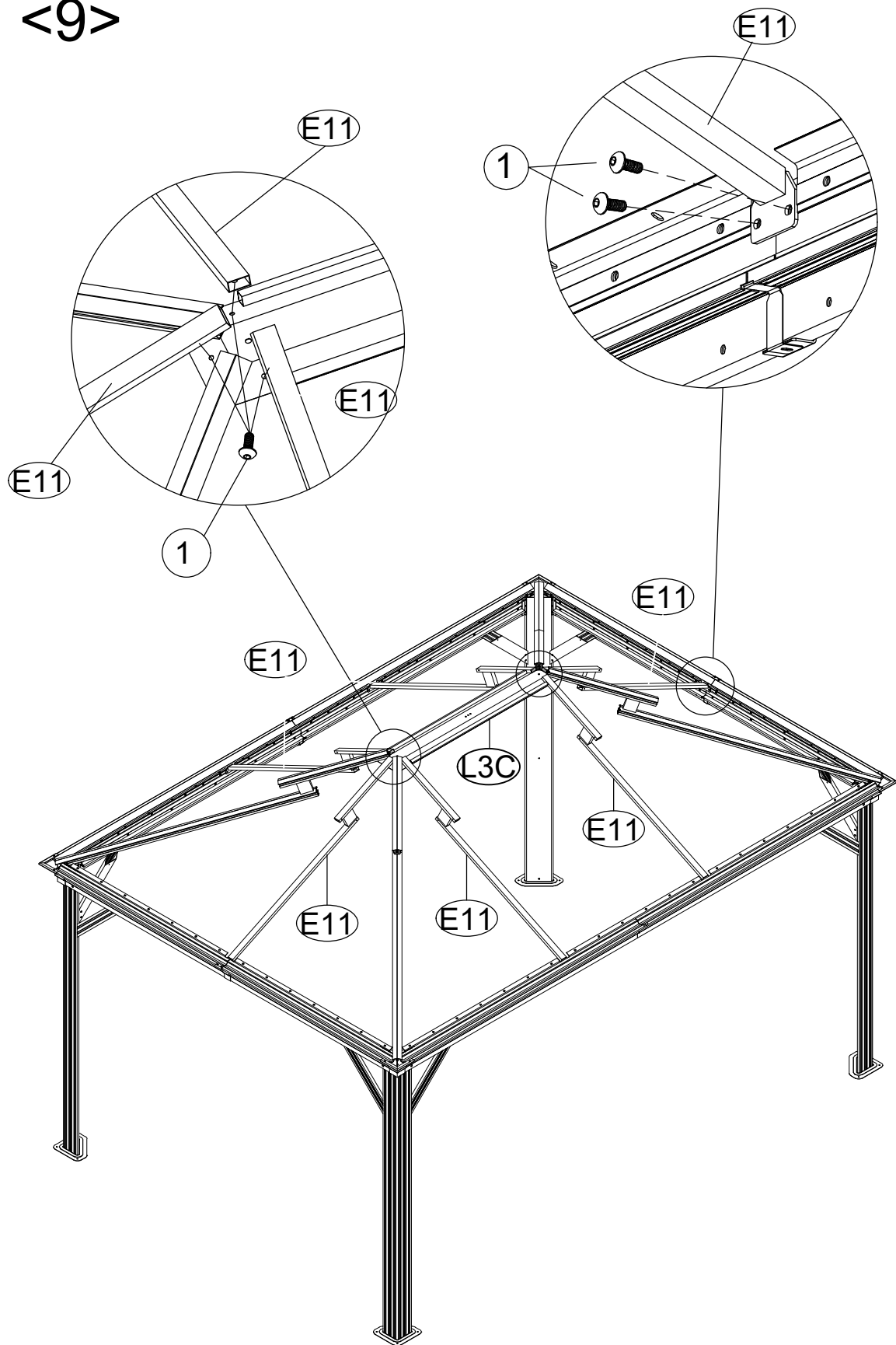
E11 6x

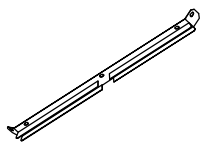


M6x15

1 18x

<9>





I1 2x



I10 2x



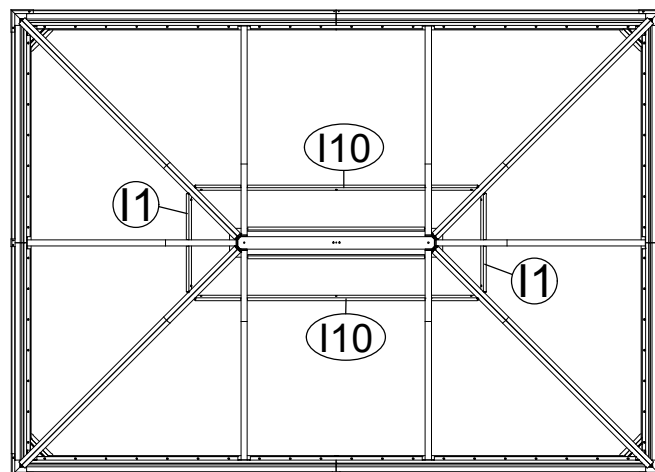
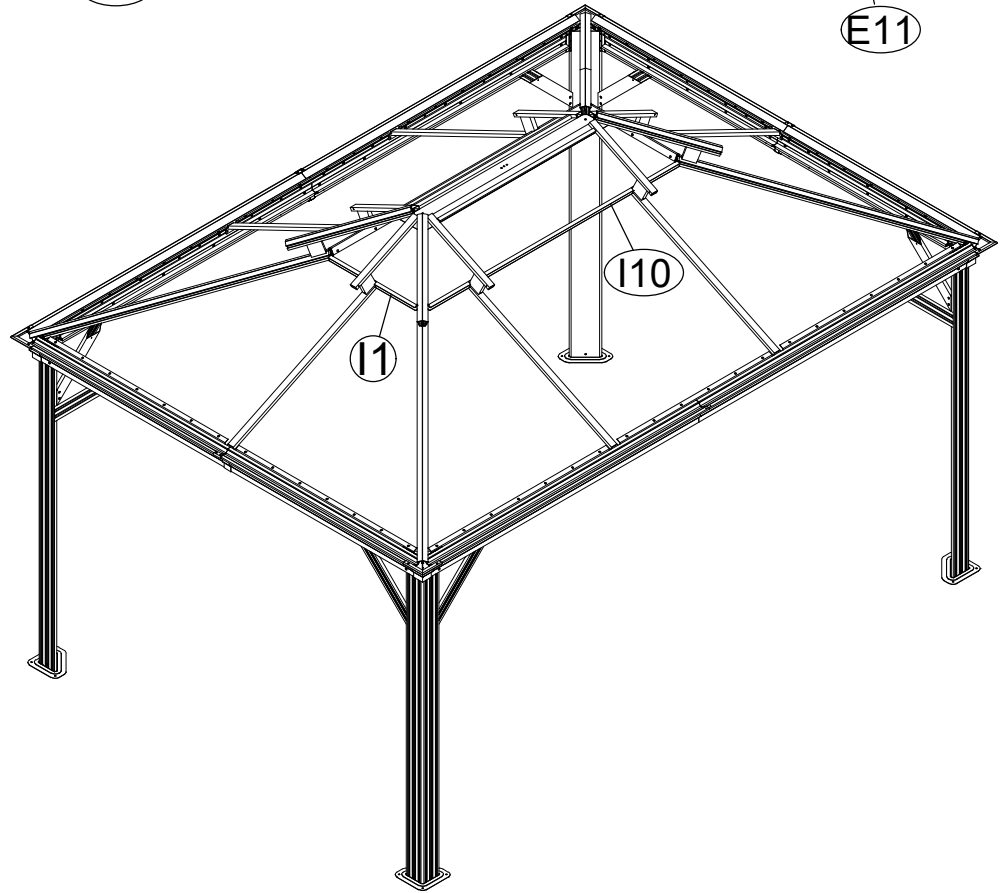
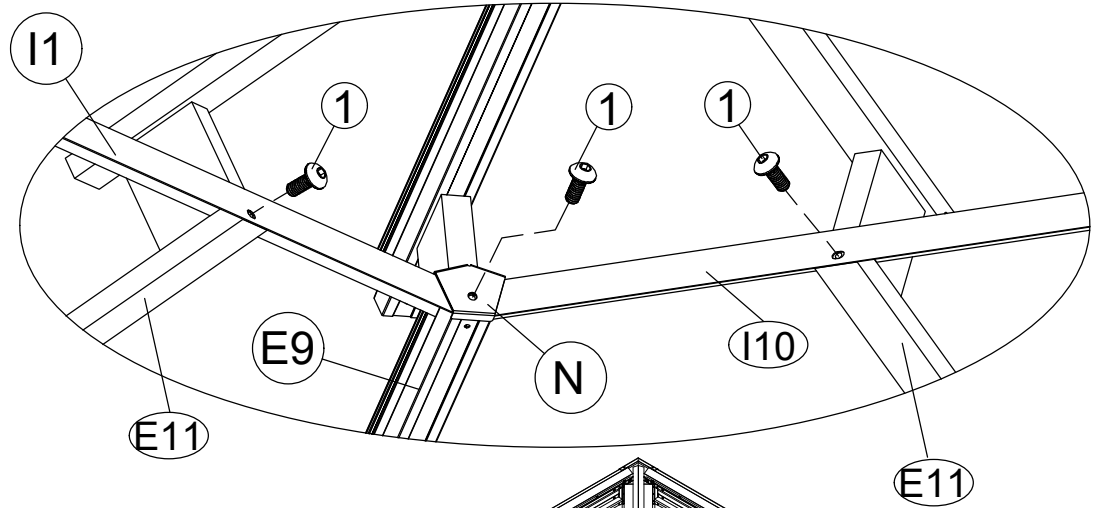
N 4x



M6x15

1 10x

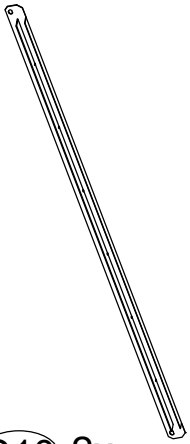
<10>



<11>



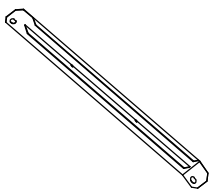
G1 2x



G10 2x



G13 2x



G14 2x



N 4x



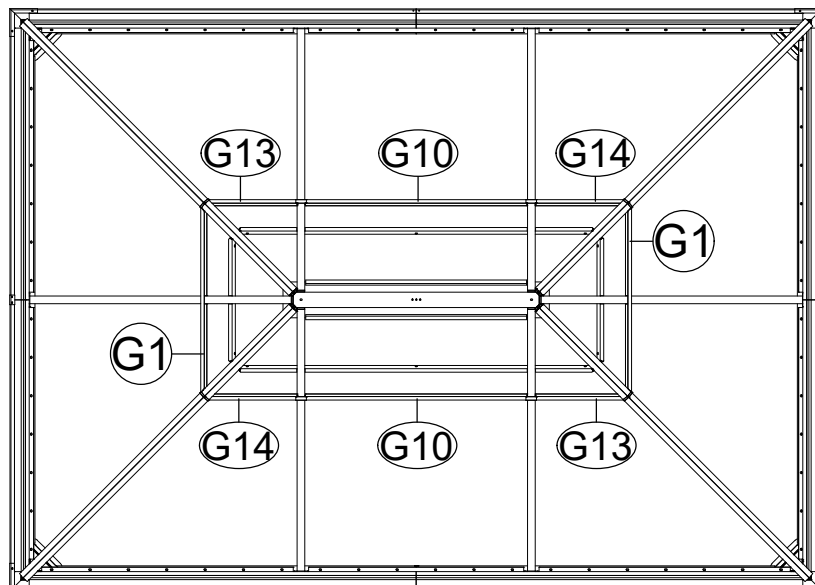
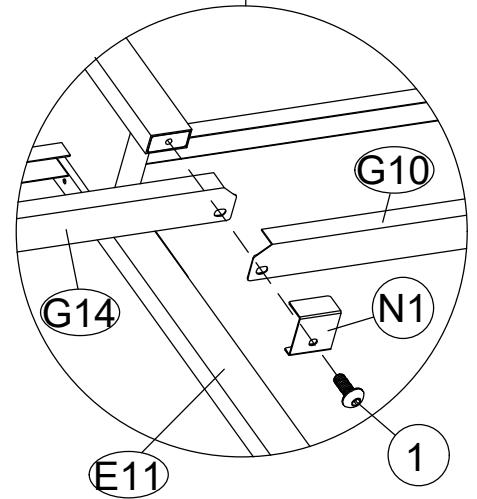
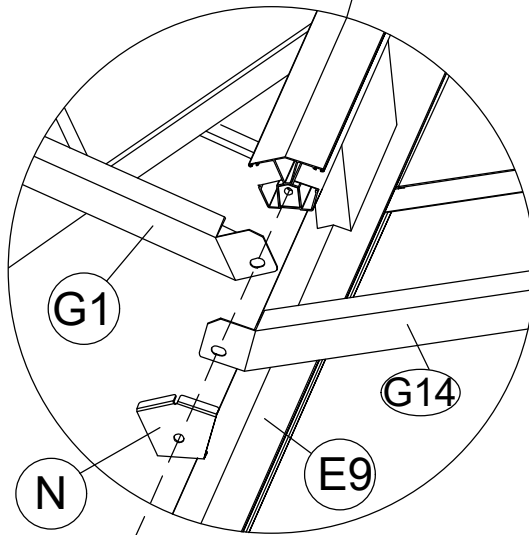
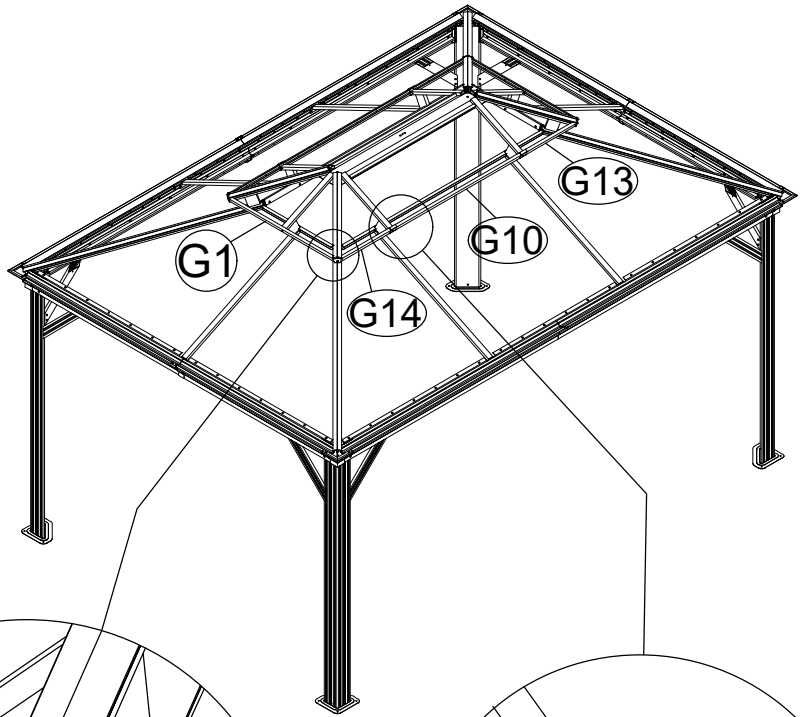
N1 4x



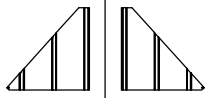
M6x15

1 10x

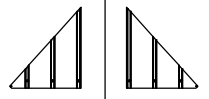
15



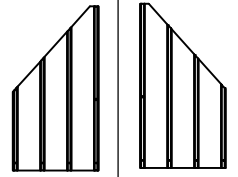
# <12>



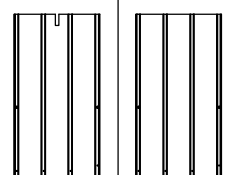
(S1) 2x (S2) 2x



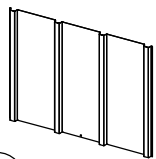
(R1) 2x (R2) 2x



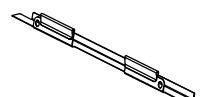
(Q3) 2x (Q4) 2x



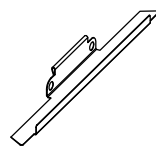
(Q7) 4x (Q8) 2x



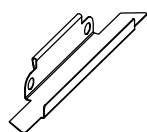
(S3) 4x



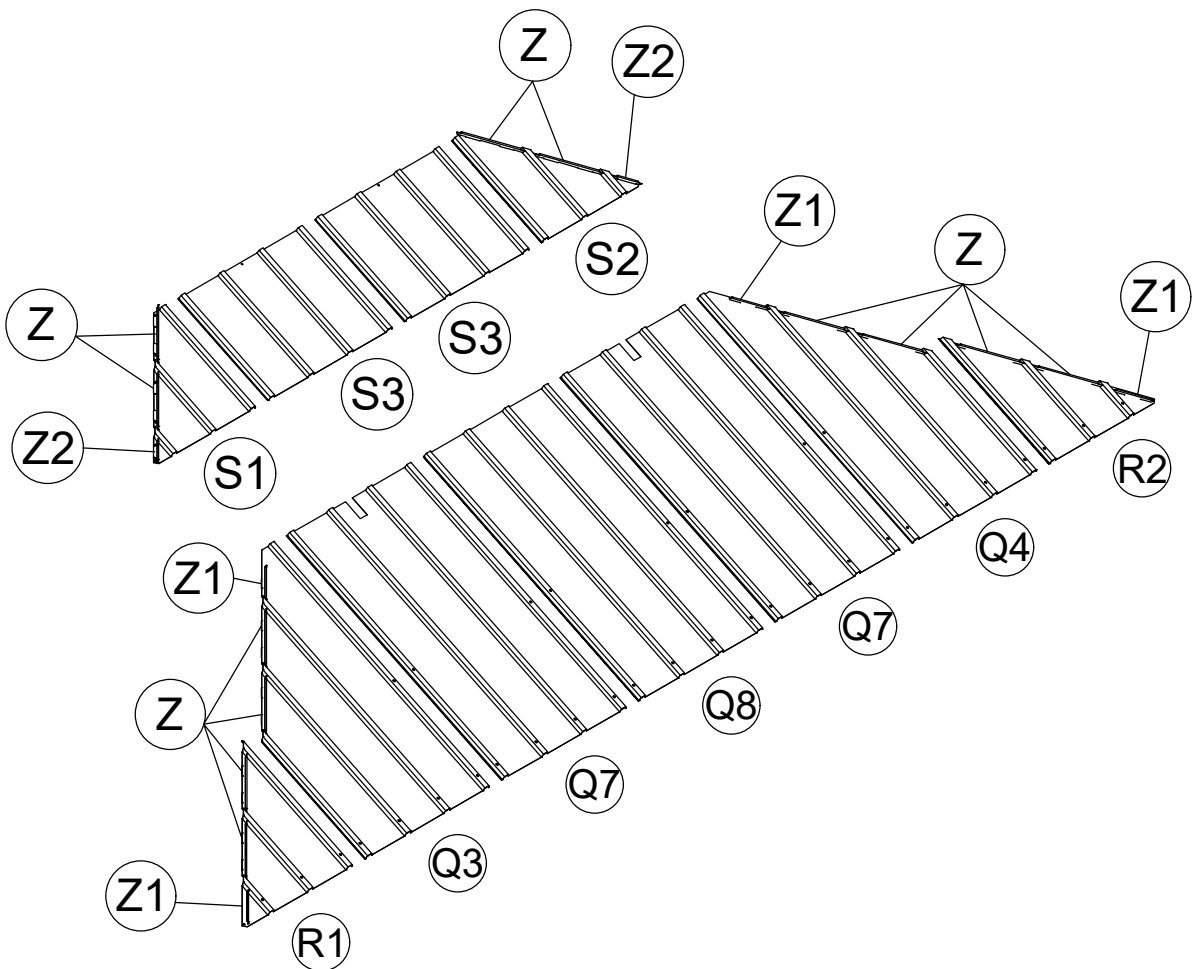
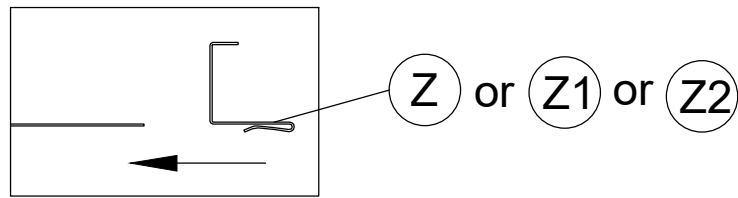
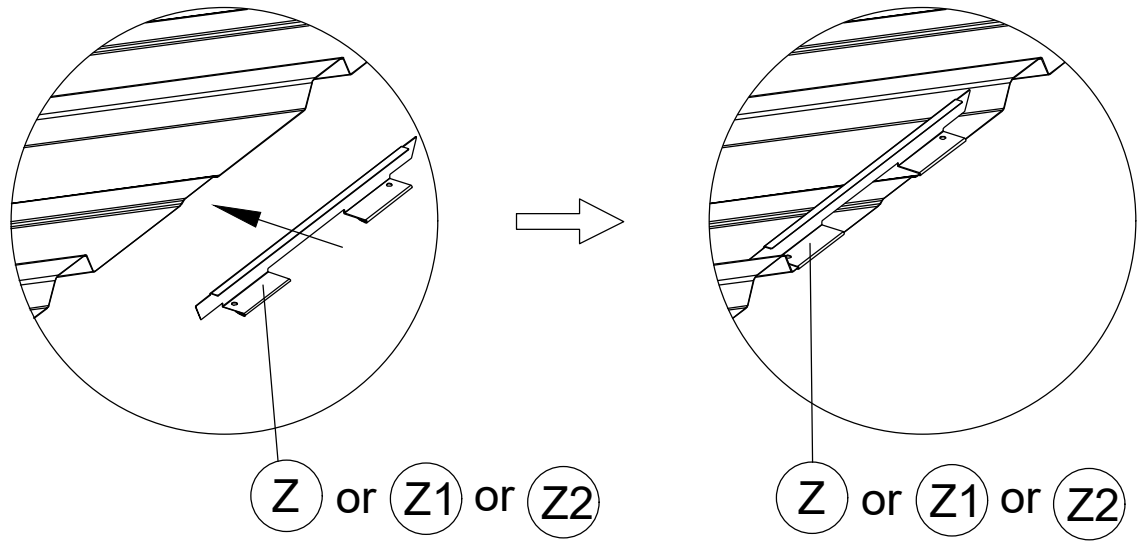
(Z) 24x



(Z1) 8x

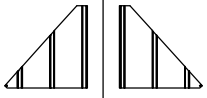


(Z2) 4x

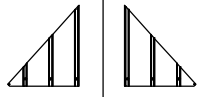




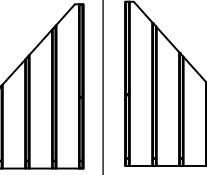
# <13>



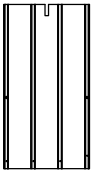
(S1) 2x (S2) 2x



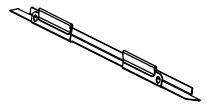
(R1) 2x (R2) 2x



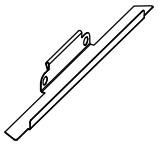
(Q3) 2x (Q4) 2x



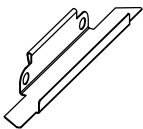
(Q7) 2x



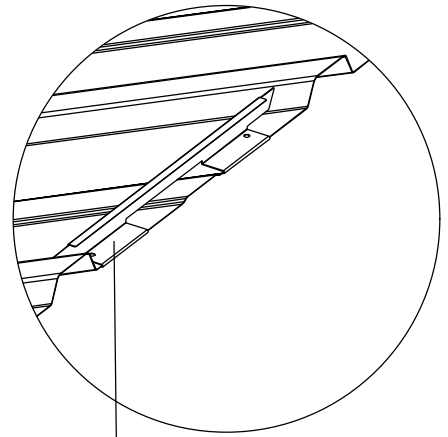
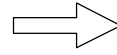
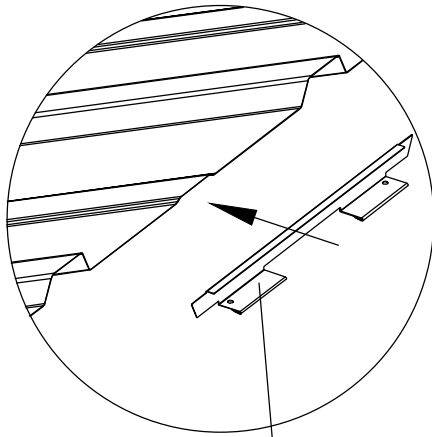
(Z) 24x



(Z1) 8x

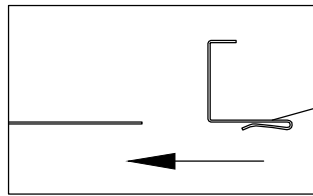


(Z2) 4x

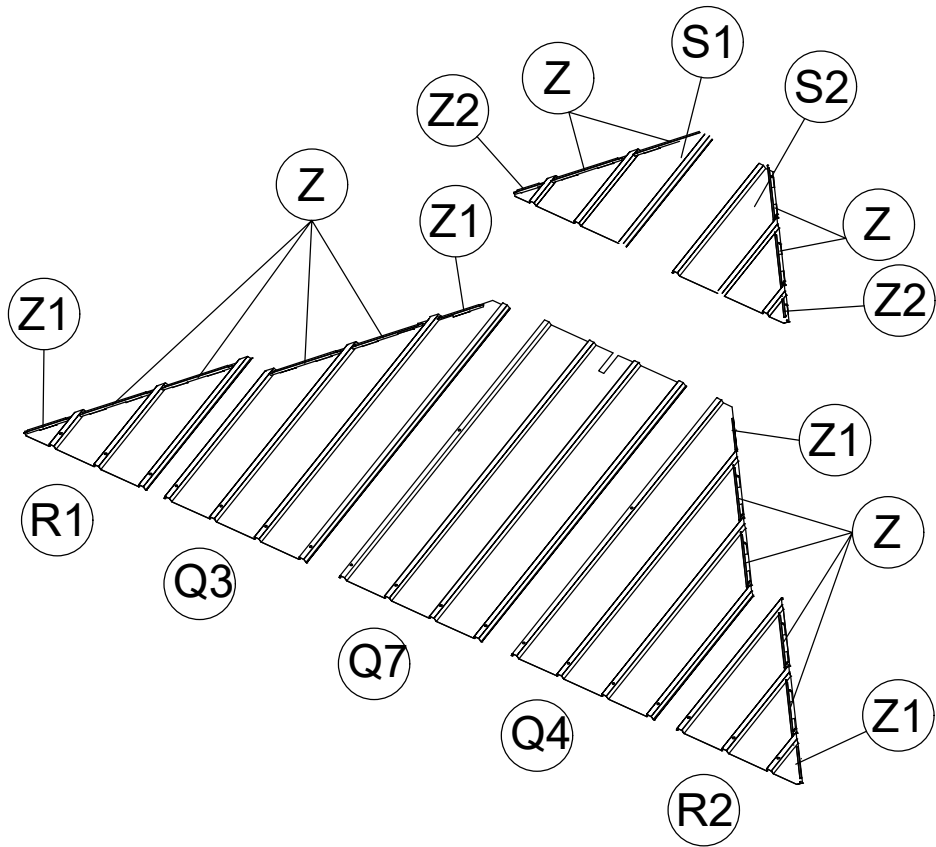


(Z) or (Z1) or (Z2)

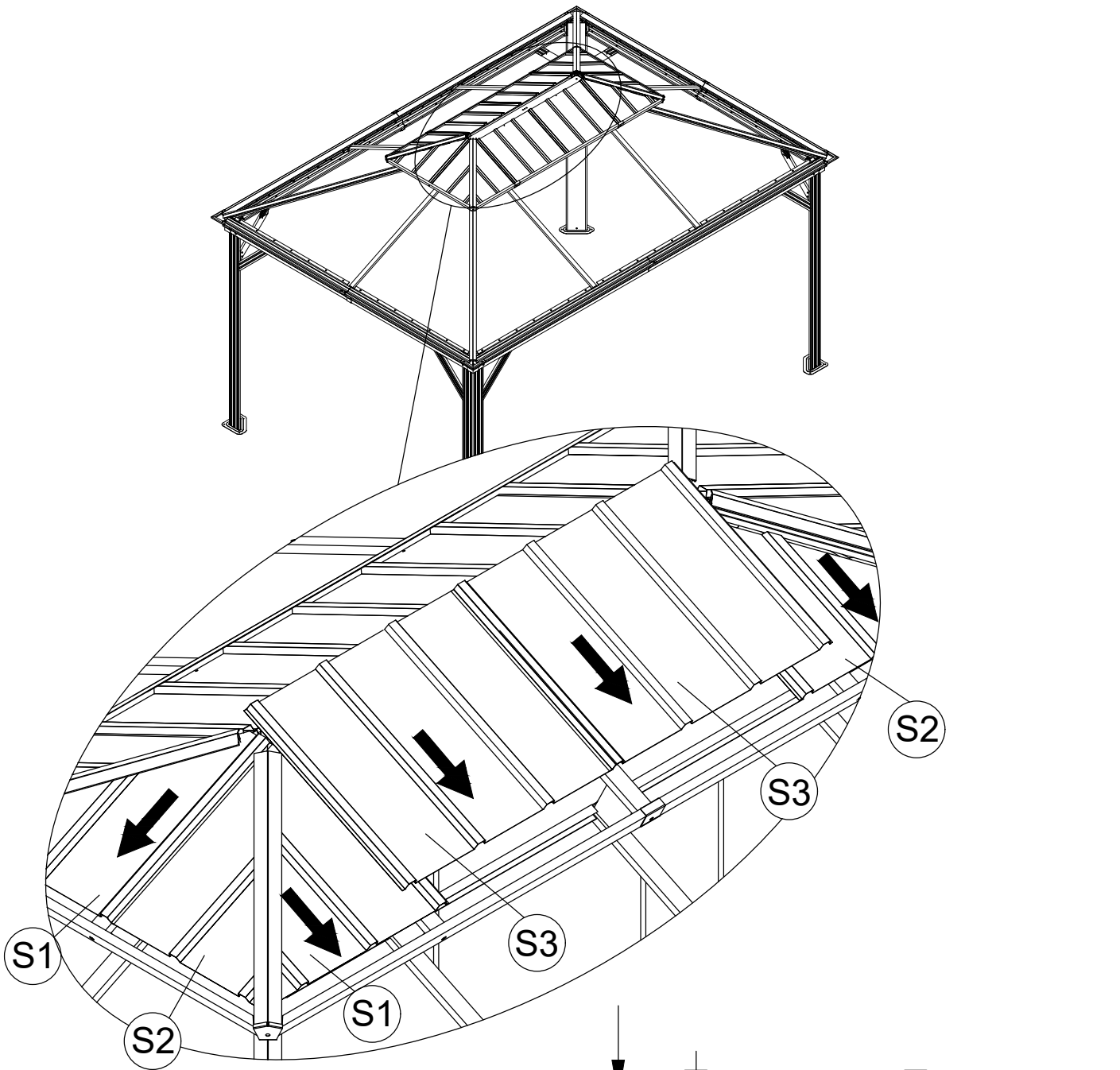
(Z) or (Z1) or (Z2)



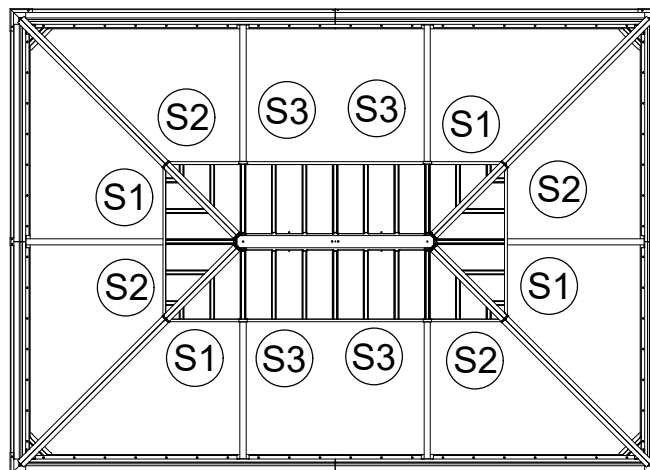
(Z) or (Z1) or (Z2)



<14>



When installing the Roof plates (S2) onto short side, pls detach the right end of Roof Rib(G1) first. And then install the right end of Roof Rib (G1) again after S2 is installed.



<15>

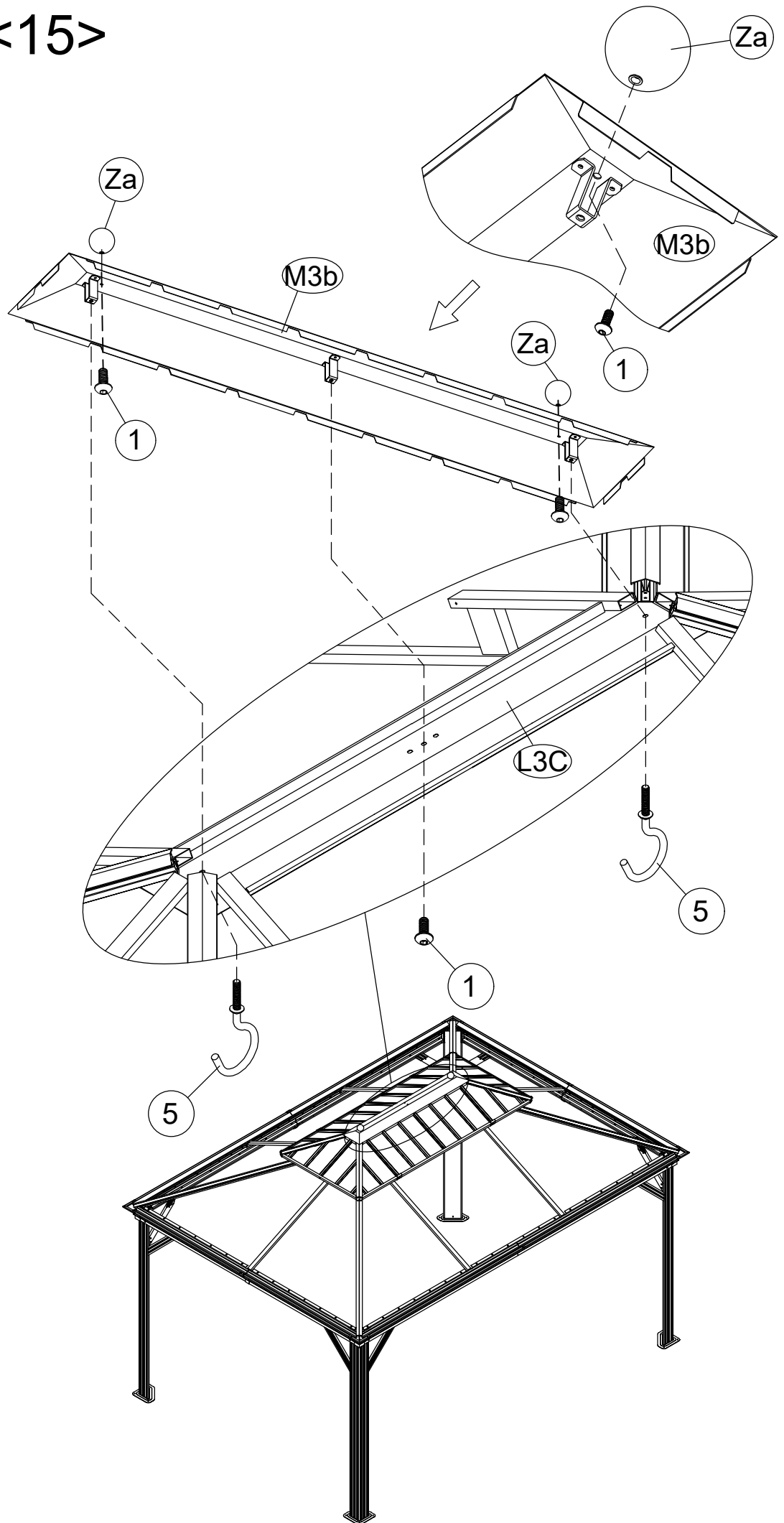
M3b 1x

5 2x

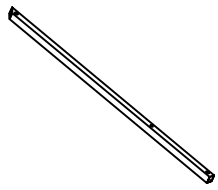
M6x15

1 3x

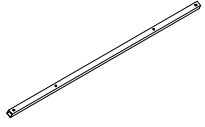
Za 2x



<16>



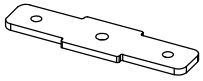
F7 8x



F11 2x



W 4x

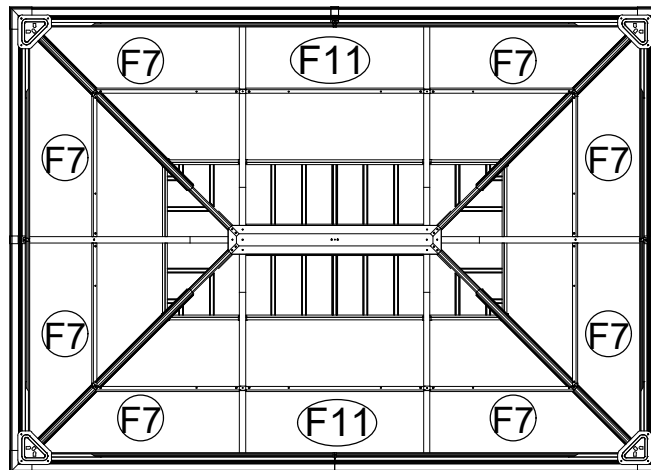
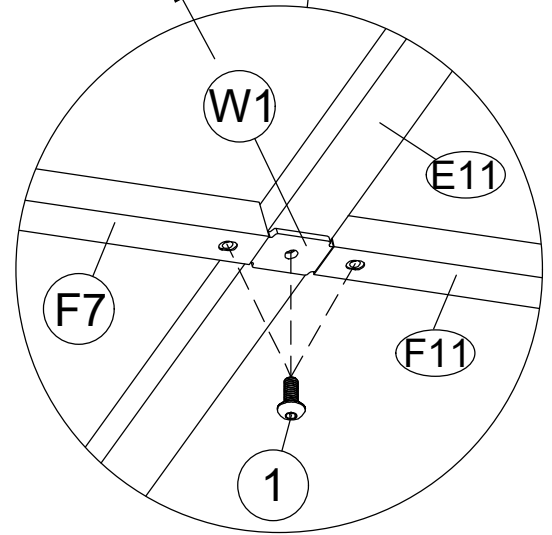
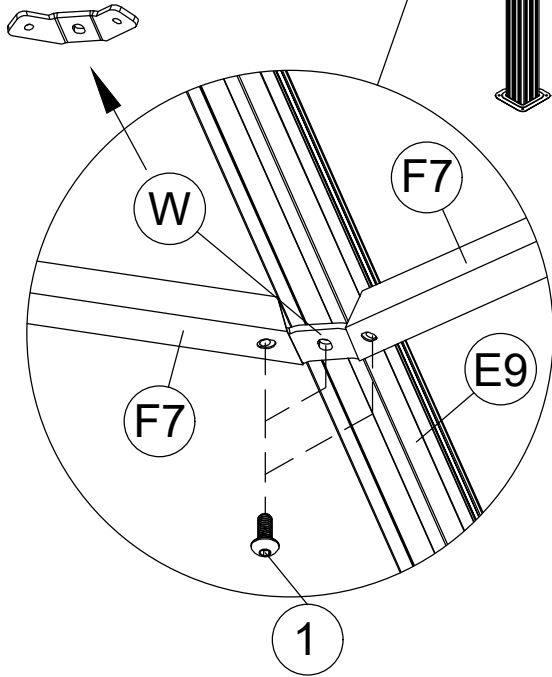
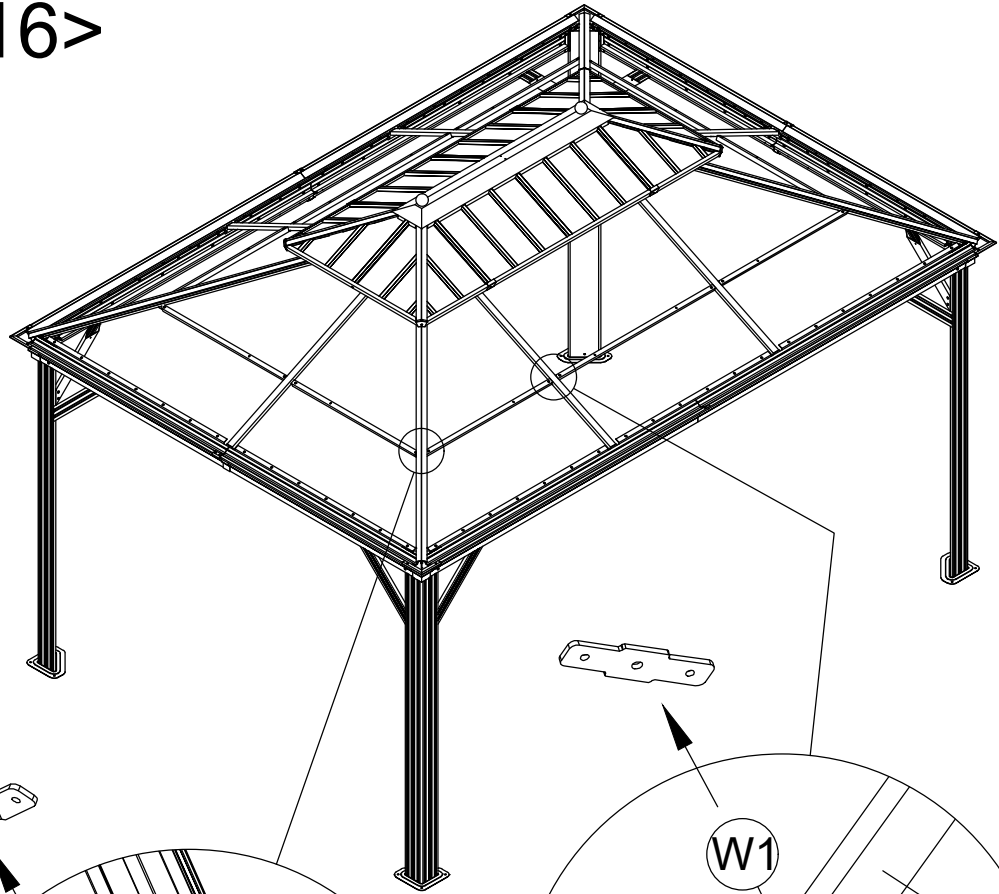


W1 6x

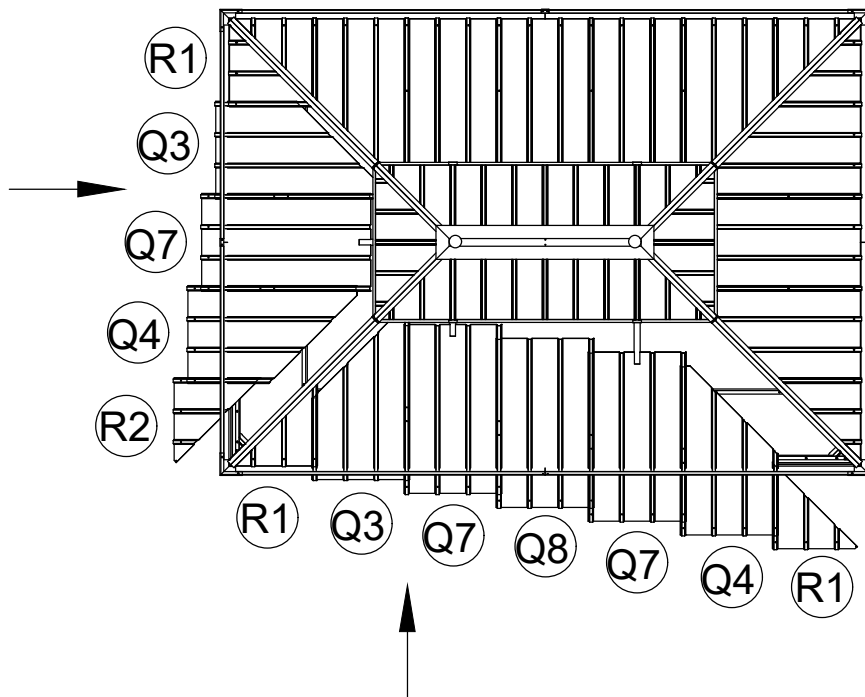
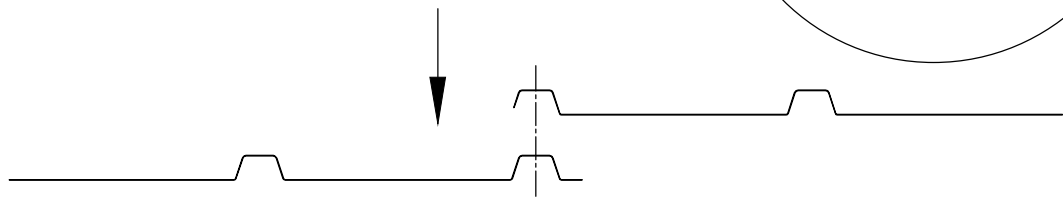
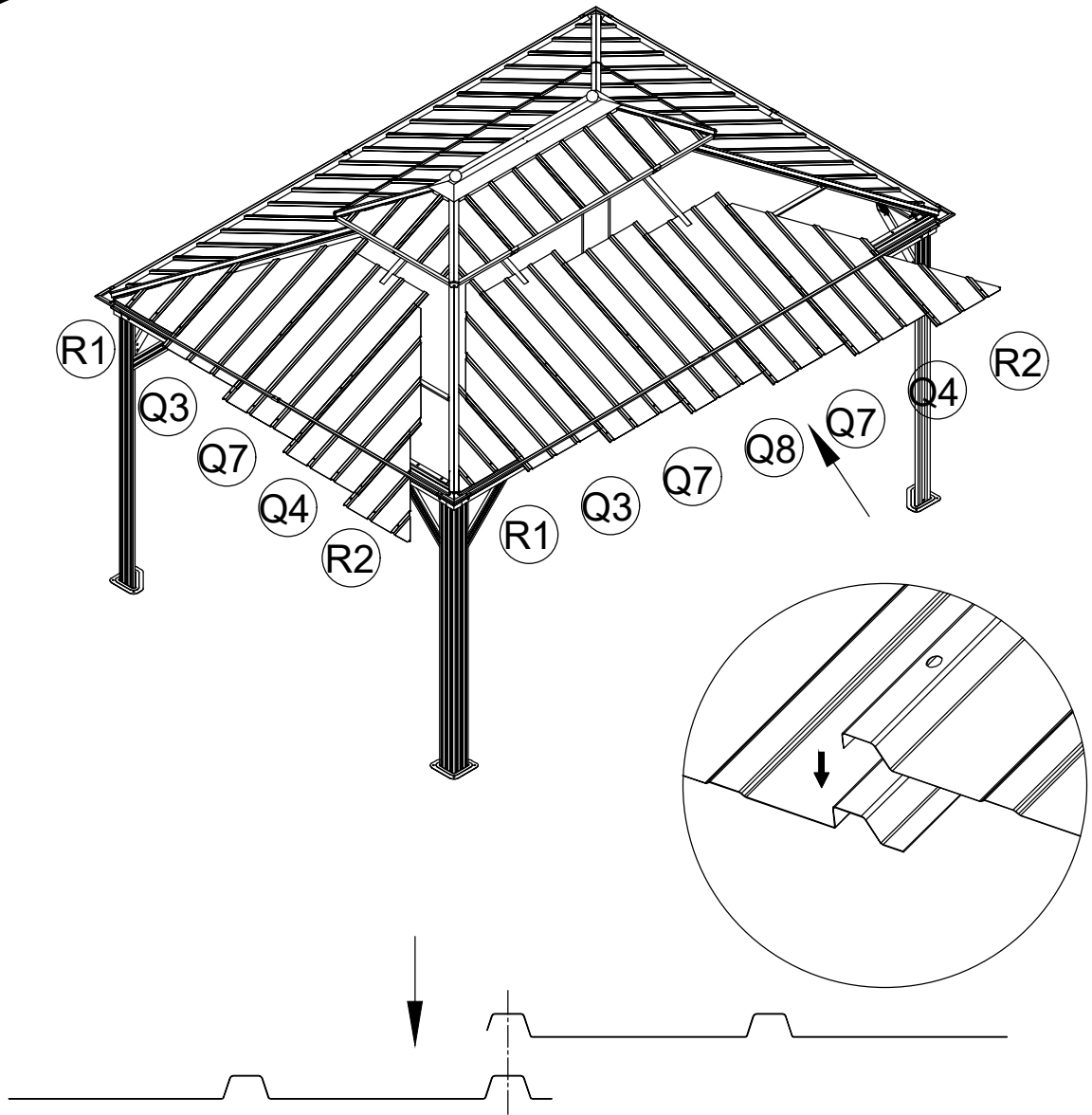


M6x15

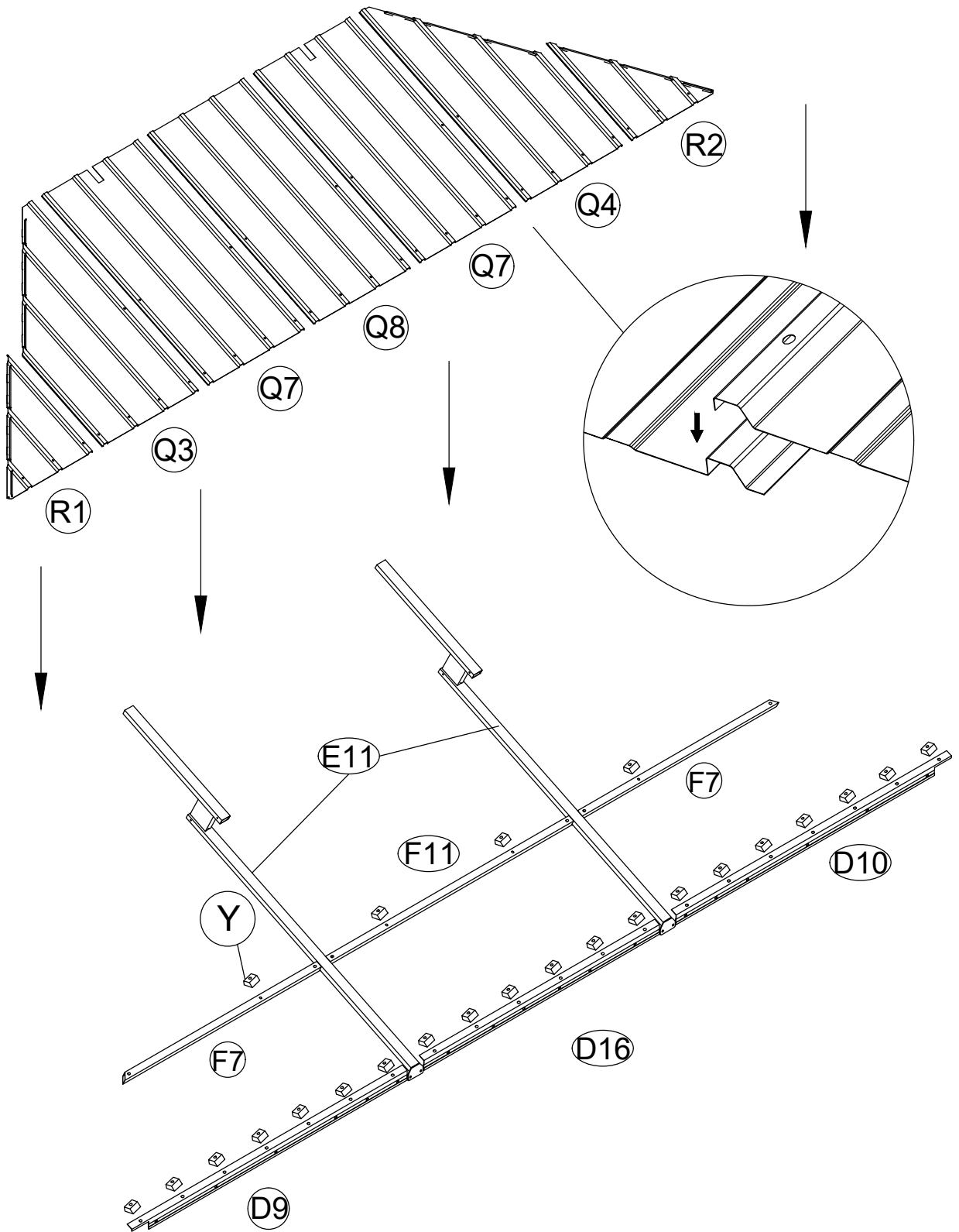
1 30x



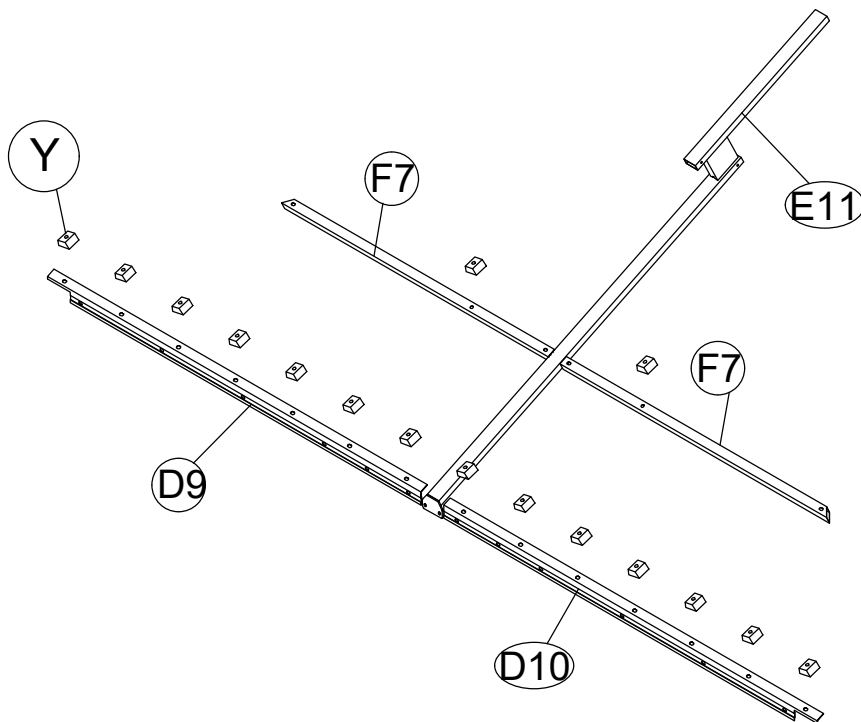
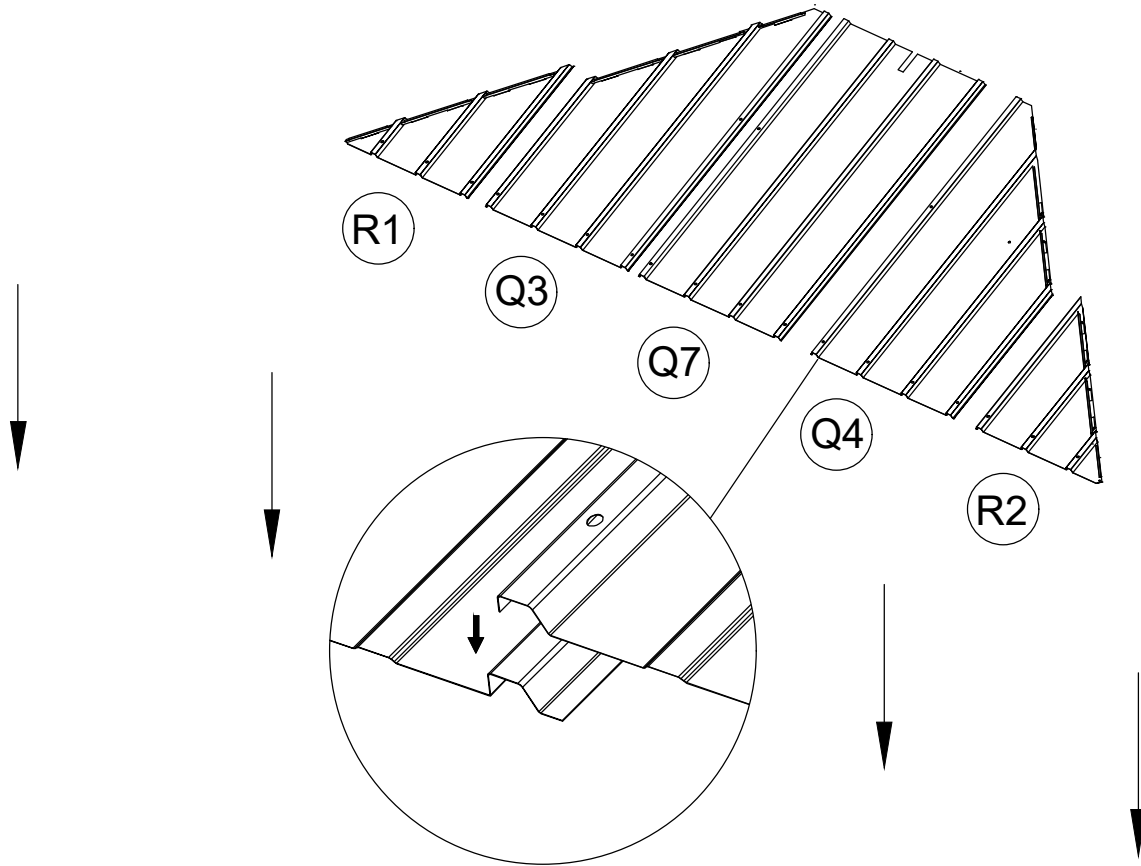
<17>



<18>



<19>





<20>

Y 80x



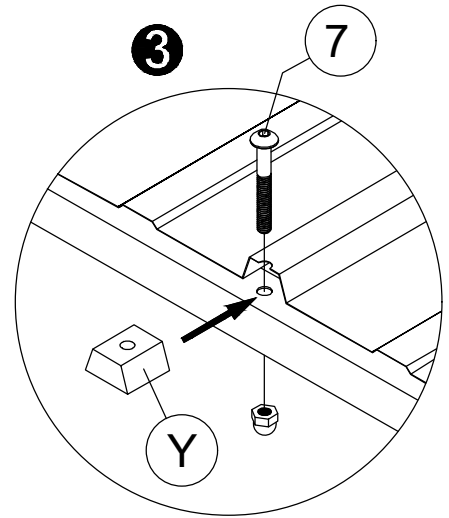
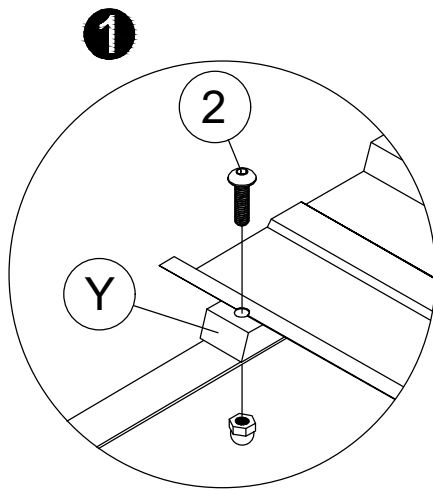
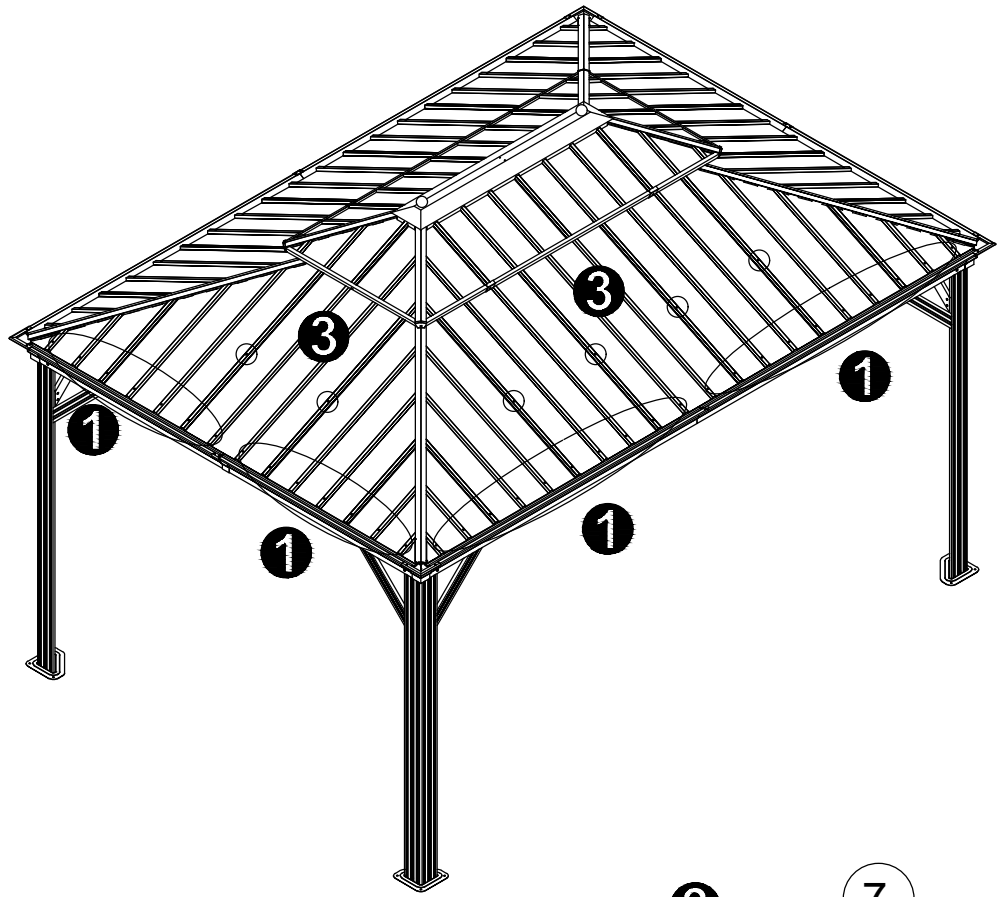
M6x23

2 68x



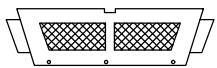
M6x47

7 12x



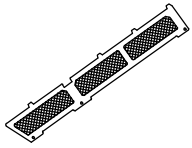
Note: When installing the roof top plates, if the roof plates are slightly uneven, please press the screws from the top of the plates until the bottom screw thread is exposed by 3 to 4mm, and then screw on the nut.



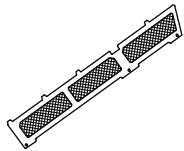


<21>

V1 2x



V7a 2x

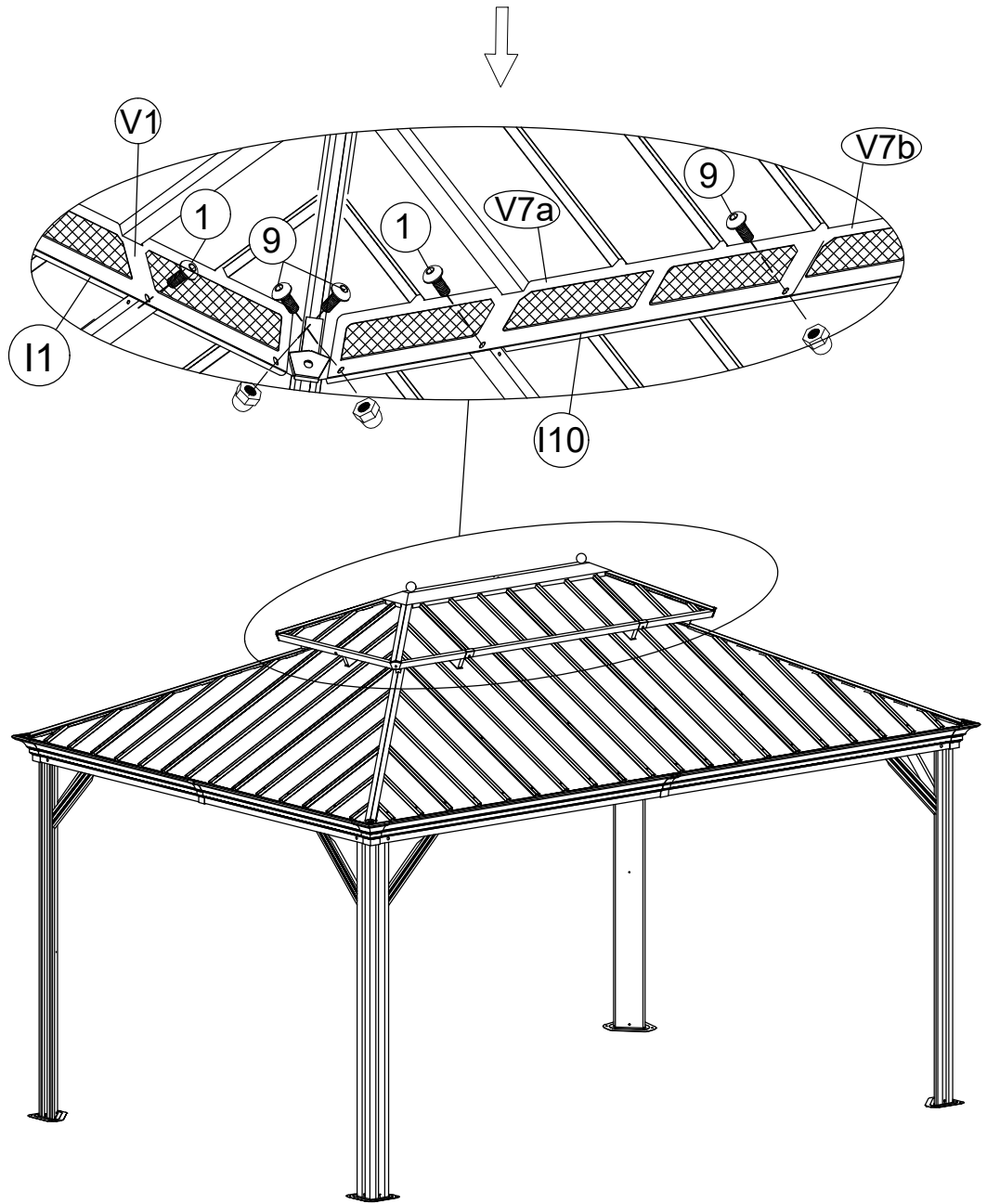


V7b 2x

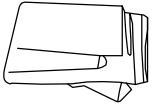


M6x15

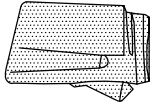
1 10x



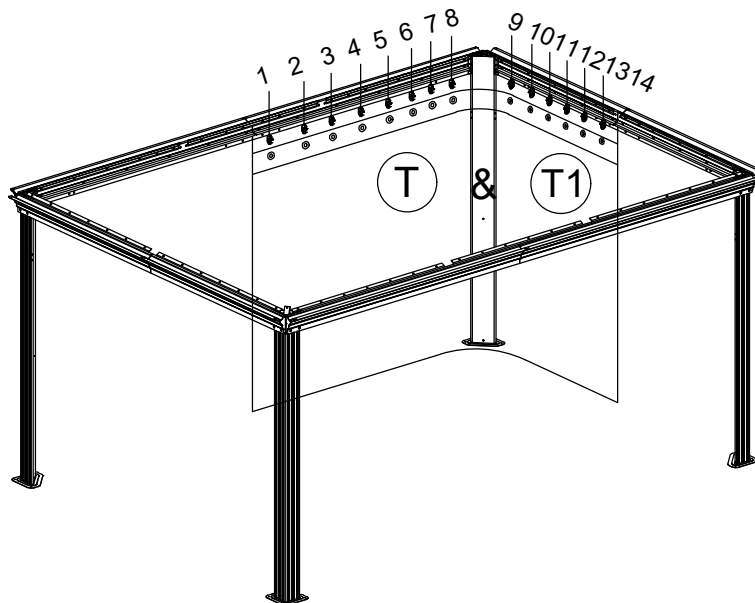
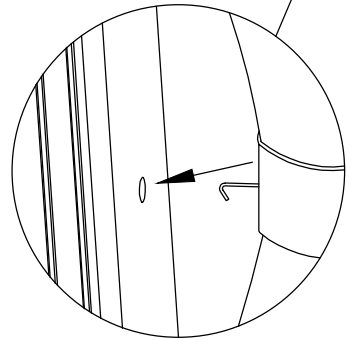
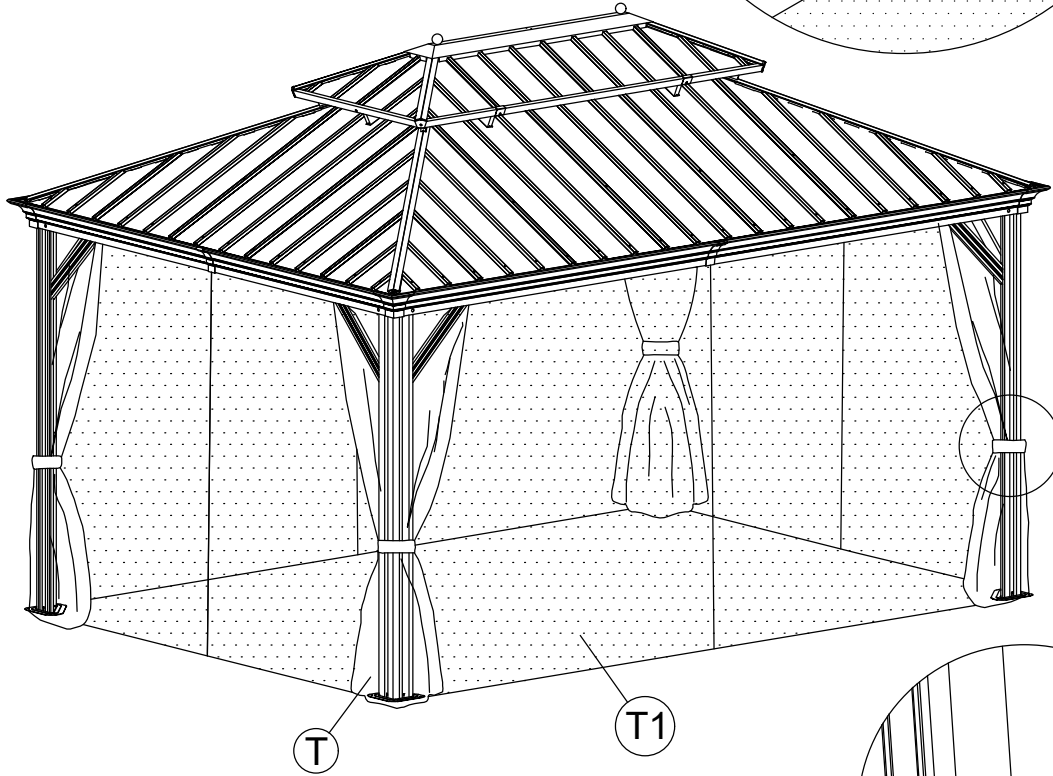
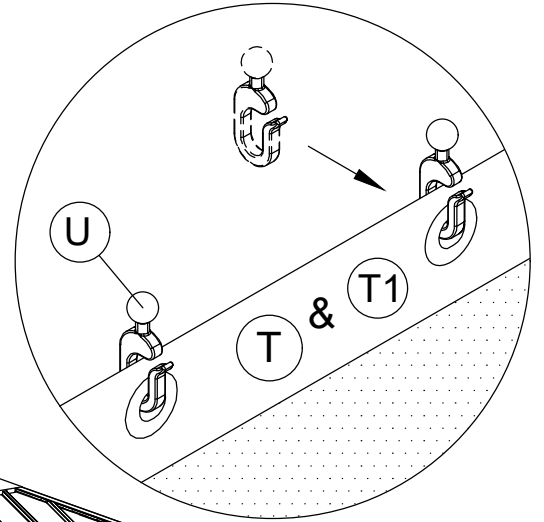
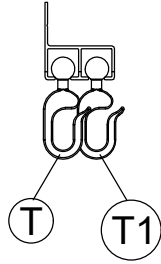
<22>



T 4x



T1 4x



| Carton-1/4 |     | Carton-2/4                          |     | Carton-4/4 |     |
|------------|-----|-------------------------------------|-----|------------|-----|
| Part       | Qty | Part                                | Qty | Part       | Qty |
| A          | 4   | V7a                                 | 2   | R1         | 4   |
| E9         | 4   | V7b                                 | 2   | R2         | 4   |
| C3         | 2   |                                     |     | Q3         | 4   |
| C4         | 2   |                                     |     | Q4         | 4   |
| I1         | 2   | Carton-3/4                          |     | Q7         | 6   |
| I10        | 2   | Part                                | Qty | Q8         | 2   |
| G10        | 2   | B9                                  | 2   | S1         | 4   |
| G13        | 2   | B10                                 | 2   | S2         | 4   |
| G14        | 2   | C9                                  | 2   | S3         | 4   |
| D16        | 2   | C10                                 | 2   |            |     |
| D9         | 4   | L3C                                 | 1   |            |     |
| D10        | 4   | M3b                                 | 1   |            |     |
| J          | 4   | K                                   | 4   |            |     |
|            |     | K1                                  | 4   |            |     |
|            |     | N                                   | 8   |            |     |
| Carton-2/4 |     | N1                                  | 4   |            |     |
| Part       | Qty | V                                   | 4   |            |     |
| B13        | 2   | W                                   | 4   |            |     |
| B14        | 2   | W1                                  | 6   |            |     |
| E11        | 6   | W3                                  | 8   |            |     |
| H          | 4   | W4                                  | 8   |            |     |
| H1         | 4   | P                                   | 4   |            |     |
| G1         | 2   | Y                                   | 80  |            |     |
| F7         | 8   | U                                   | 112 |            |     |
| F11        | 2   | T1                                  | 4   |            |     |
| Z          | 48  | T                                   | 4   |            |     |
| Z1         | 16  | 1.2.4.5.7.8.9.10.<br>11.12.13.14.15 | 1   |            |     |
| Z2         | 8   |                                     |     |            |     |
| V1         | 2   | Za                                  | 2   |            |     |