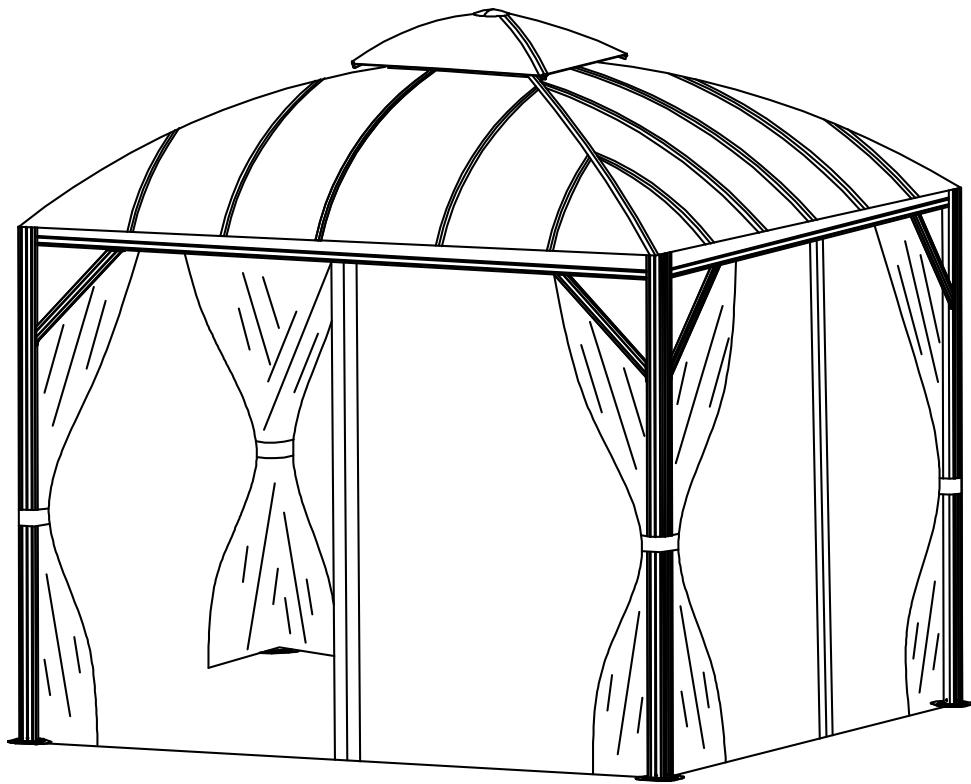


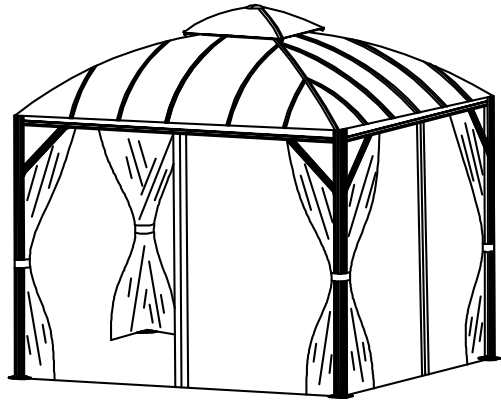
ZHG-038 12'X12'ALUM GAZEBO  
TWIN LAYER ALUM ROOF/DOUBLE ROOF





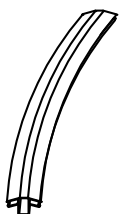

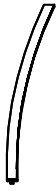








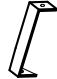



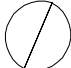


The gazebo comes with 4 boxes. Sometimes they may be delivered on the different day, please wait 2-3 more days or contact us for help.


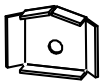
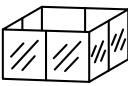






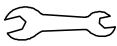
# ATTENTION:

1. Please fix all the screws first, do not lock off, after assembling is fully completed, lock all at once finally.
2. Please check the manual carefully and make sure you have received all the parts.
3. If there is any missing, please let us know the letter of the parts you need.
4. If there is any damage, please send clear photos to us, we will check and offer you best solution soon.



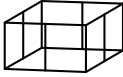



## Part List (BOX A)



<b>A</b>  <b>4PCS</b>	<b>C</b>  <b>8PCS</b>	<b>D</b>  <b>4PCS</b>	<b>D1</b>  <b>4PCS</b>	<b>E</b>  <b>4PCS</b>
<b>F1</b>  <b>4PCS</b>	<b>F2</b>  <b>4PCS</b>	<b>F3</b>  <b>4PCS</b>	<b>F4</b>  <b>4PCS</b>	<b>G</b>  <b>8PCS</b>
<b>I4</b>  <b>4PCS</b>	<b>J</b>  <b>4PCS</b>	<b>K</b>  <b>4PCS</b>	<b>L</b>  <b>4PCS</b>	<b>M</b>  <b>4PCS</b>
<b>N</b>  <b>1PC</b>	<b>O1</b>  <b>8PCS</b>	<b>P</b>  <b>1PC</b>	<b>Q</b>  <b>2PCS</b>	<b>Q1</b>  <b>2PCS</b>

<b>R</b>		<b>U</b>		<b>W</b>					
2PCS		4PCS		1PCS					
<b>#1</b>		<b>#2</b>		<b>#3</b>		<b>#4</b>		<b>#5</b>	
125PCS		20PCS		12PCS		20PCS		4PCS	
<b>#6</b>		<b>#7</b>							
1PCS		1PCS							

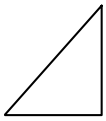
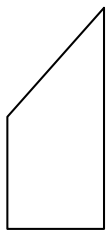
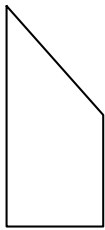
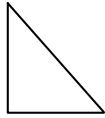

**Part List (BOX B)**

<b>B1</b>		<b>B2</b>		<b>X</b>		<b>Y1</b>			
4PCS		4PCS		1PCS		1PCS			

**Part List (BOX C)**

<b>FF</b>		<b>HH</b>					
4PCS		4PCS					

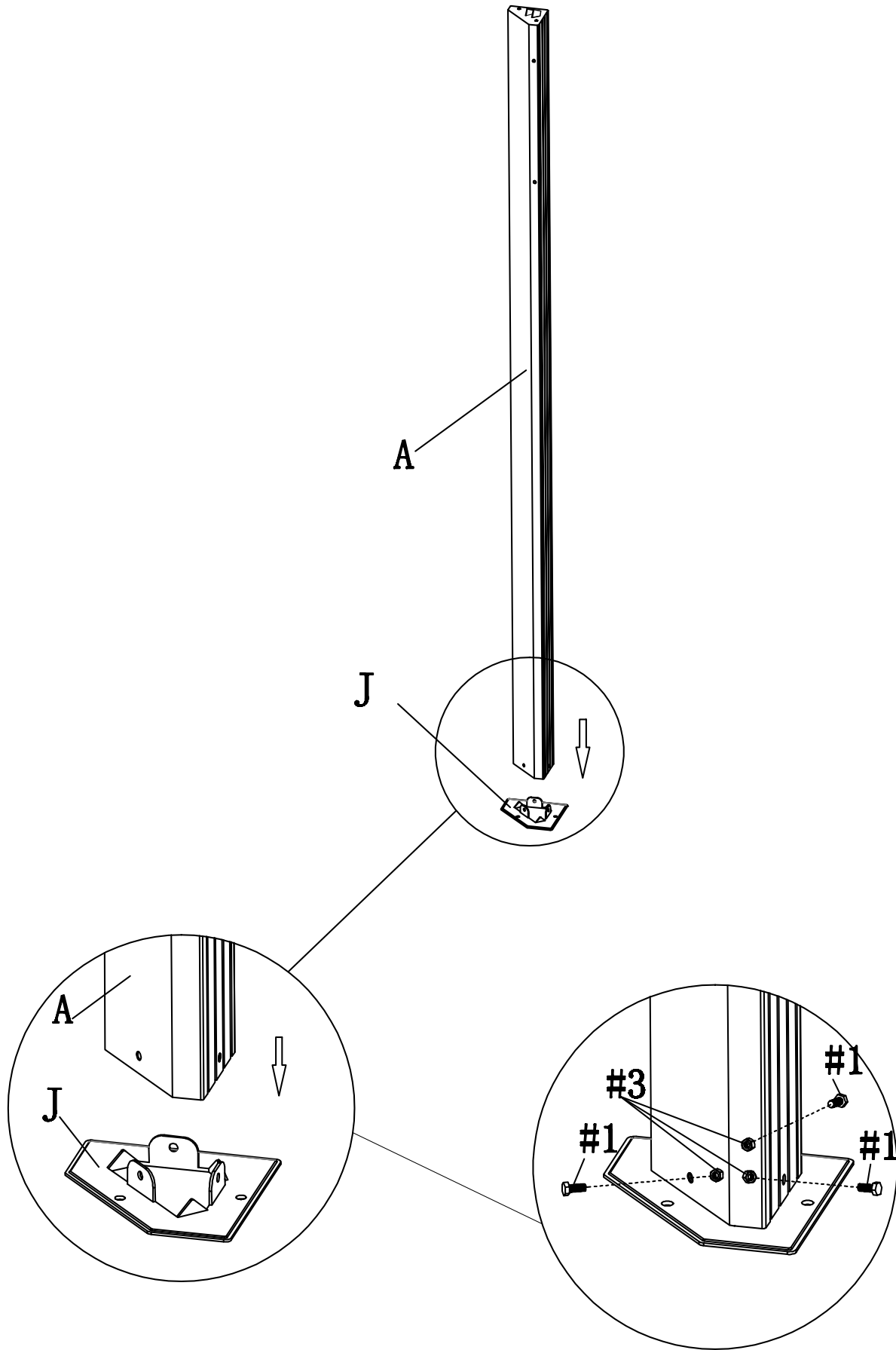
**Part List (BOX D)**

<b>DD</b>		<b>EE</b>		<b>II</b>		<b>JJ</b>		<b>KK</b>	
4PCS		4PCS		4PCS		4PCS		4PCS	

# Assembly Step

## STEP 1

A*4
J*4
#1*12
#3*12

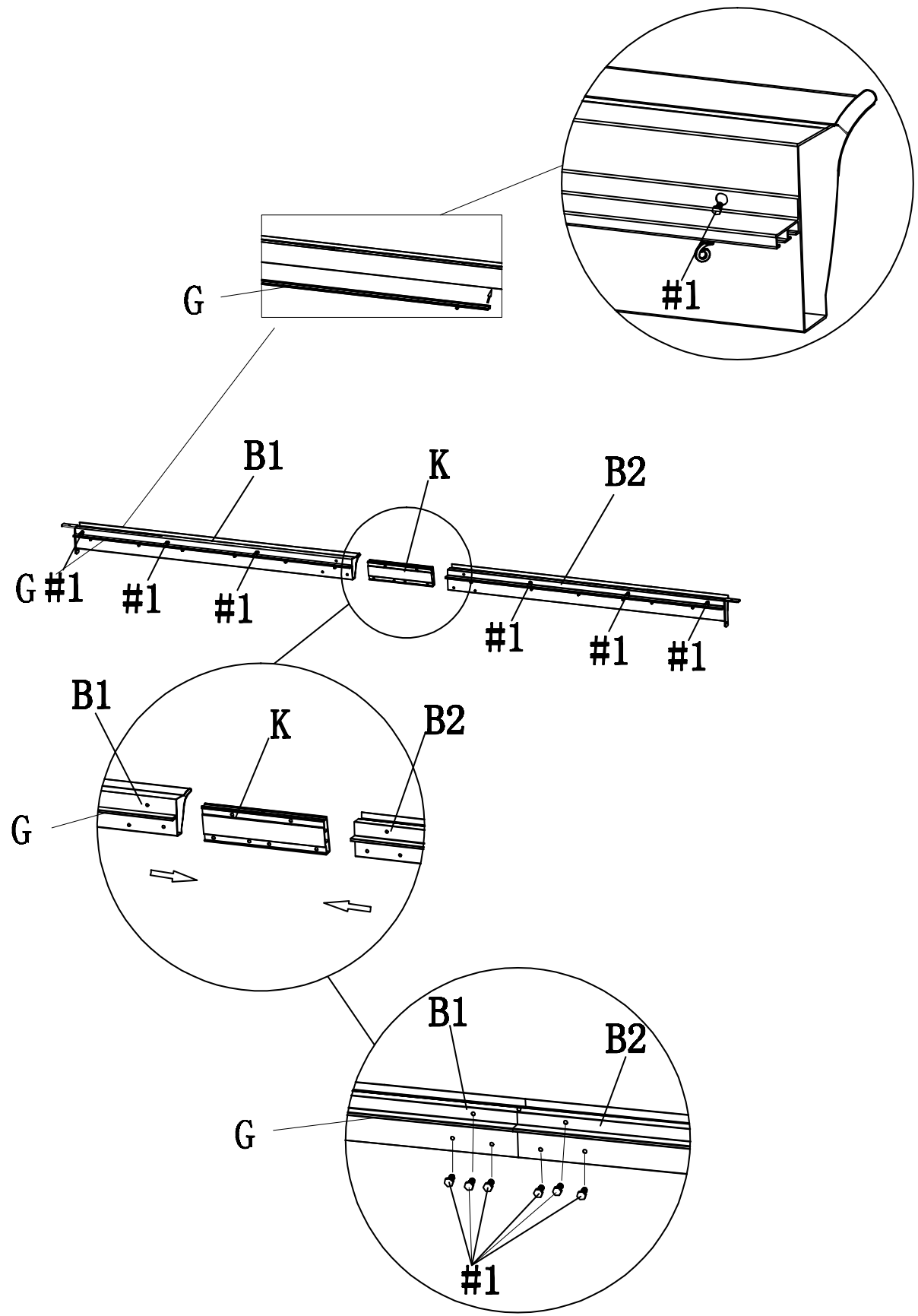


Install a base flange(J) to the bottom of a post(A) using bolts(#1) and nuts(#3). Repeat the step for all other A posts.

# Assembly Step

## STEP 2

B1*4
B2*4
K*4
G*8
#1*48

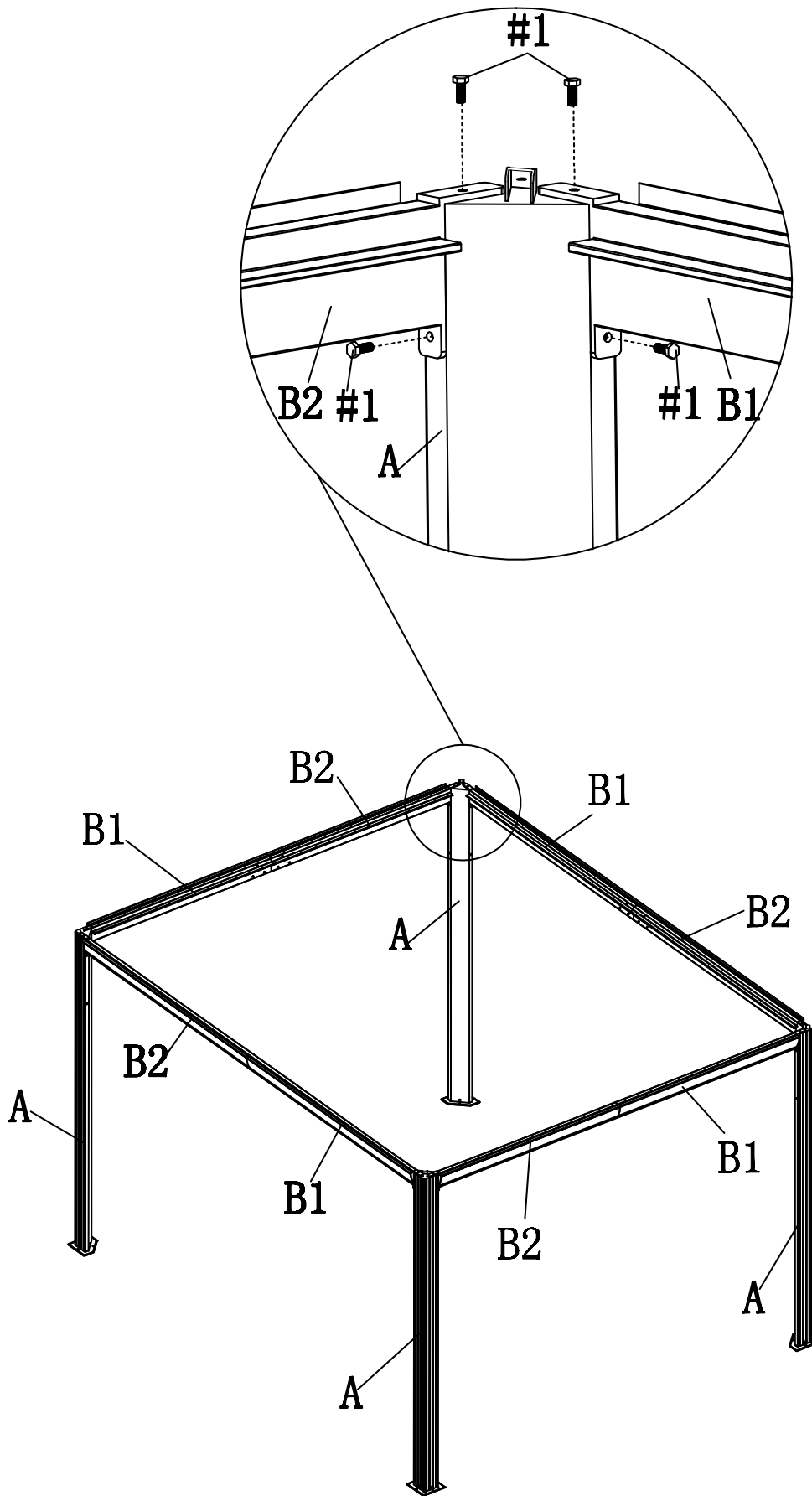


Join crossbars(B1) and (B2) by using connector(K) and bolts(#1).  
Install the rail (G) through the bolts (#1) while assembling the crossbars.

# Assembly Step

## STEP 3

#1\*16

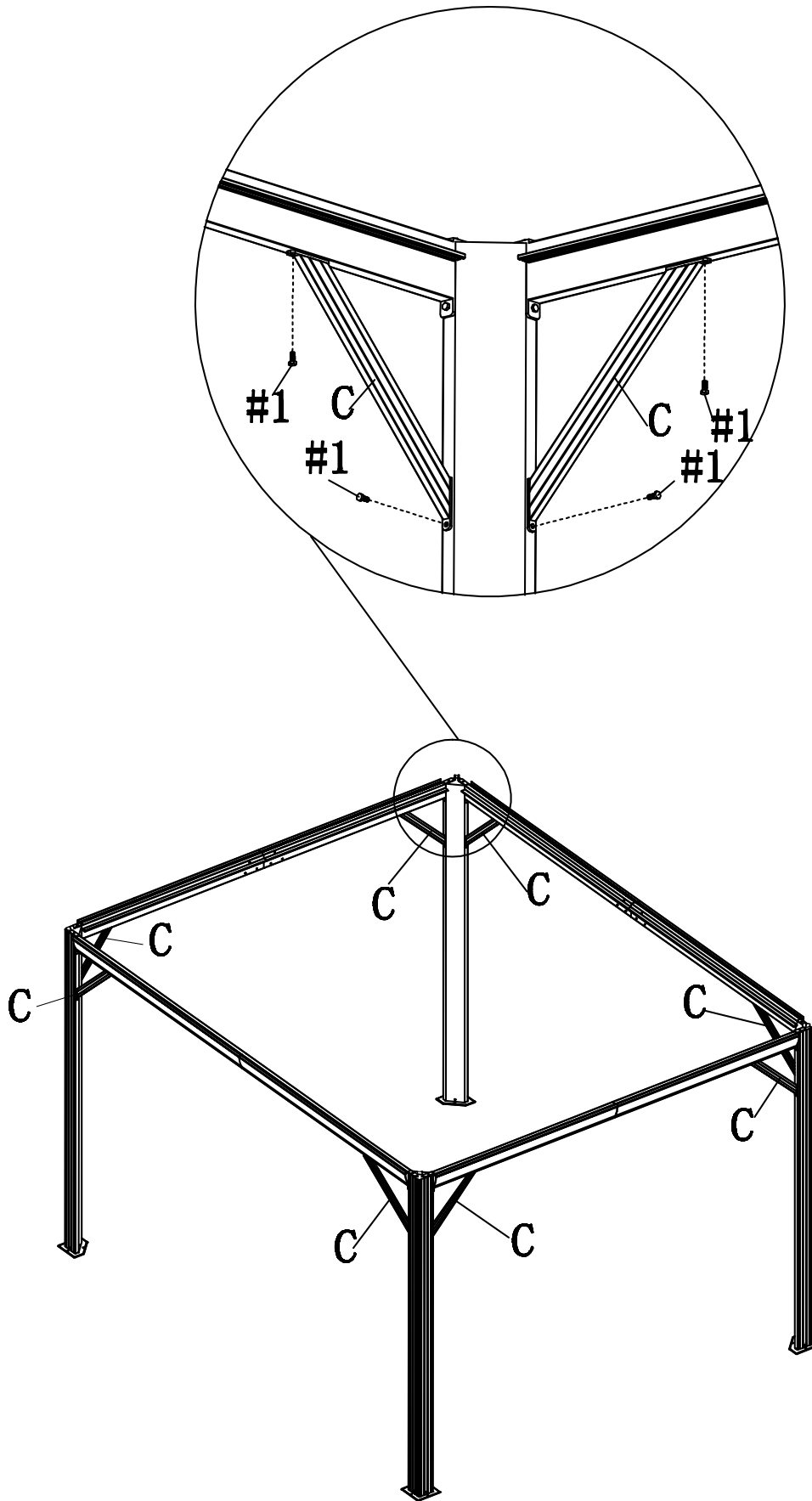


As shown, fix the crossbars assembly (B1)/(B2) and (B1)/(B2) to posts (A) by using bolts (#1).

# Assembly Step

## STEP 4

C*8
#1*16

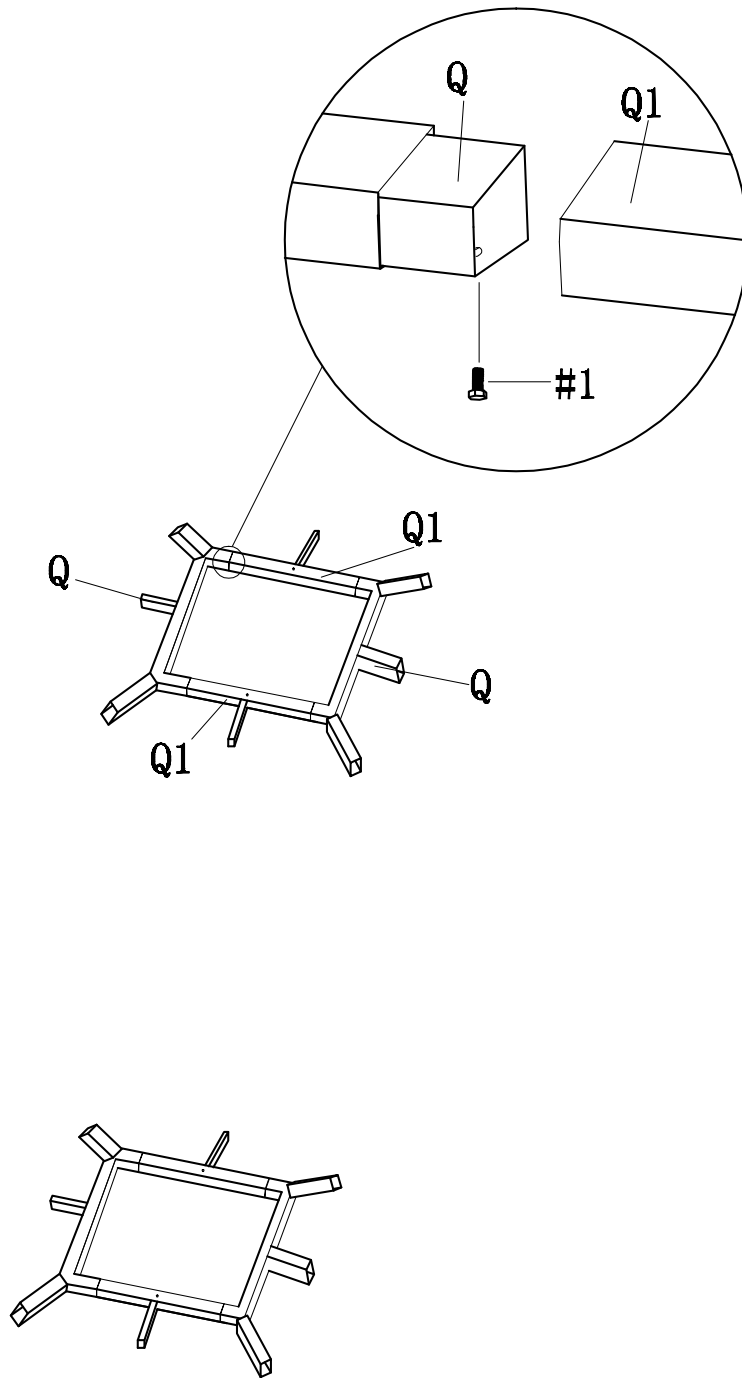


As shown, fix the braces (C) to posts (A) and crossbars assembly (B1)/(B2) and (B1)/(B2) by using bolts (#1).

# Assembly Step

## STEP 5

Q*2
Q1*2
#1*4



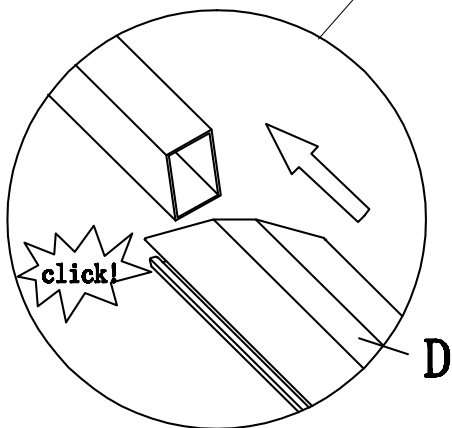
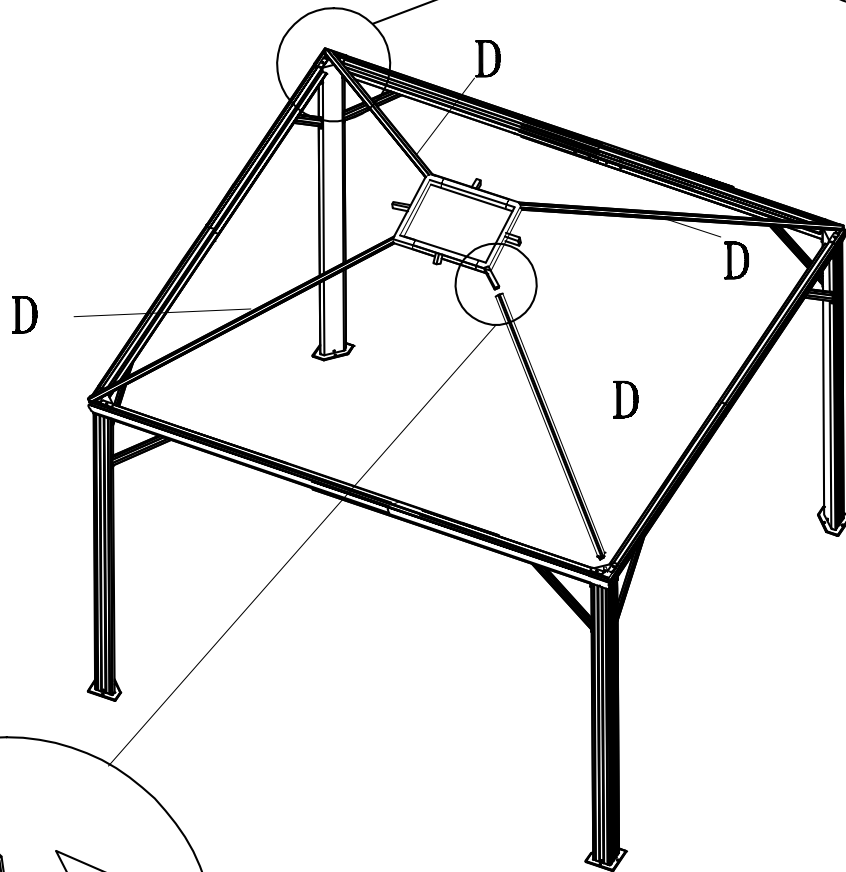
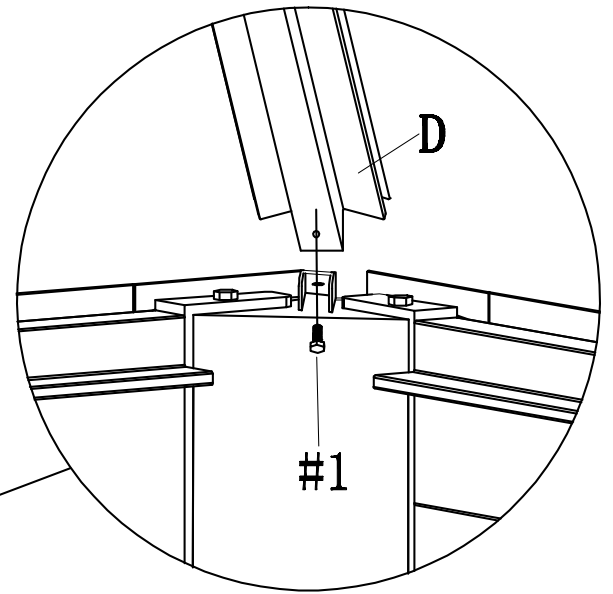
Assemble the top frames (Q) and (Q1) and secure them through the bolts (#1).



# Assembly Step

## STEP 6

D\*4  
#1\*4

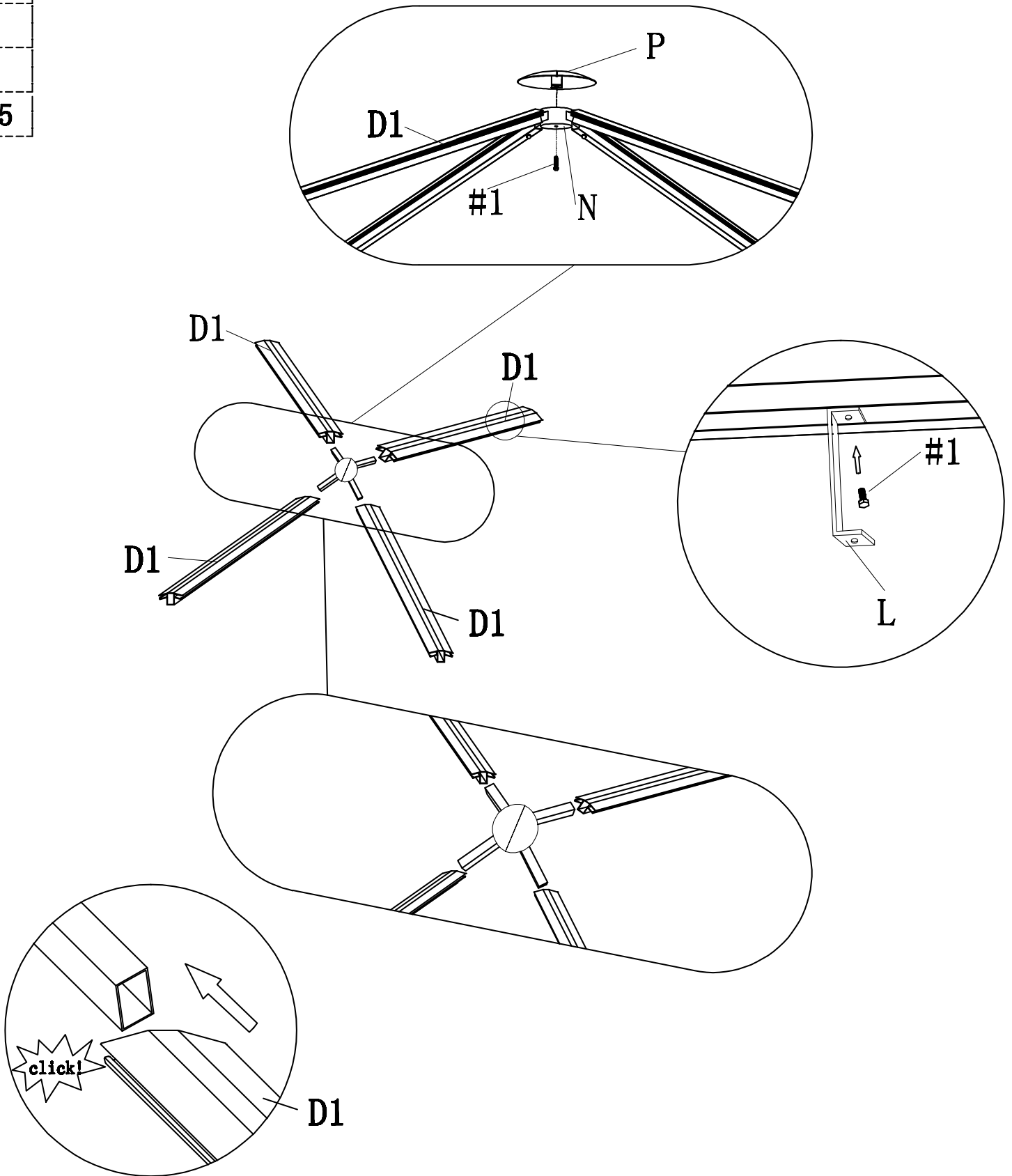


Insert the upper end of D into the Q corner of the previous step, hear the sound to connect successfully, then raise the whole, place on the top of the four A, and connect with screw #1.

# Assembly Step

## STEP 7

D1*4
L*4
N*1
P*1
#1*5



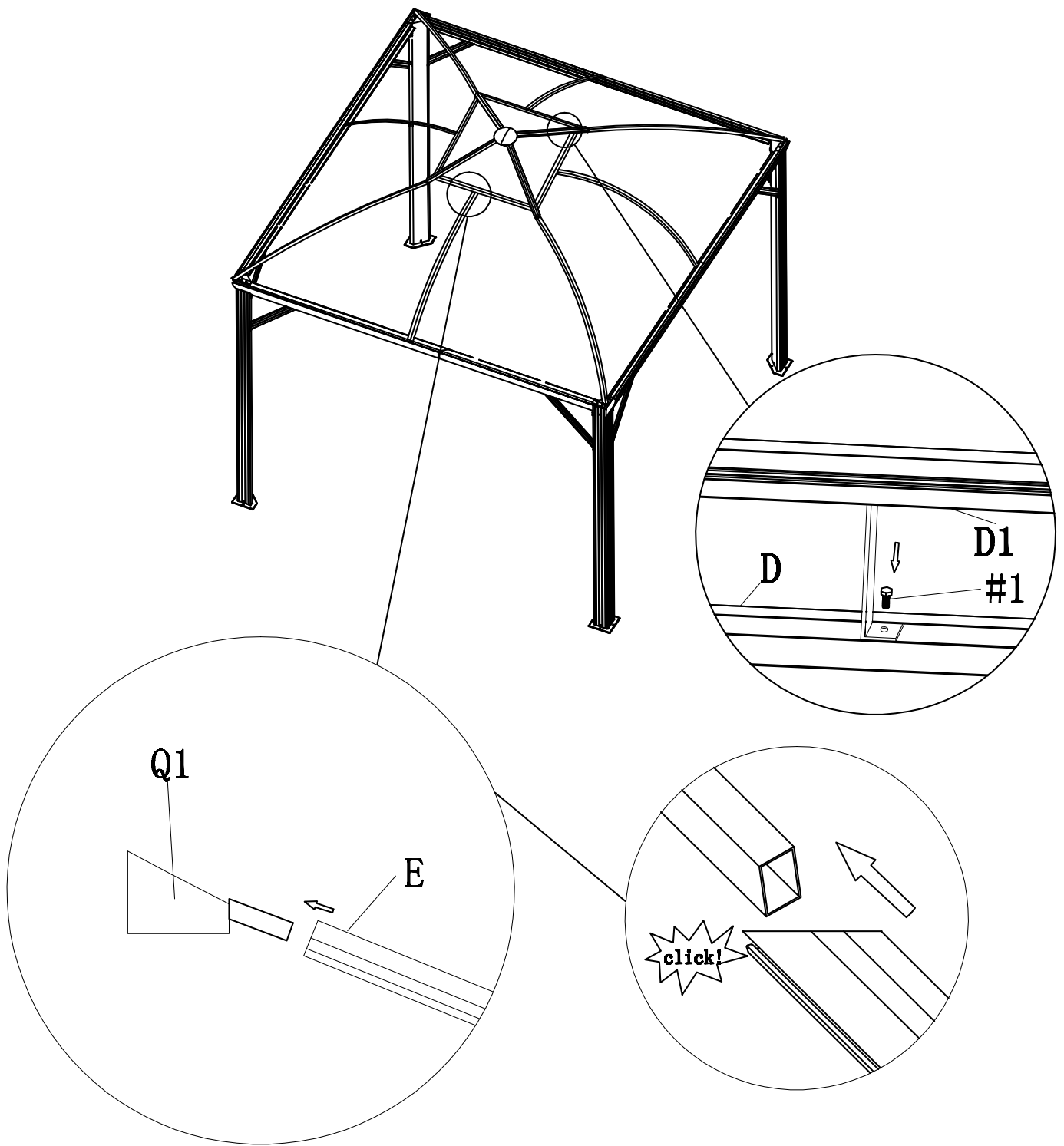
Insert the upper end of D1 into the N corner of the previous step, hear the sound to connect successfully, Install L at the bottom of D1 and connect it with #1.

# Assembly Step

## STEP 8

E\*4

#1\*4

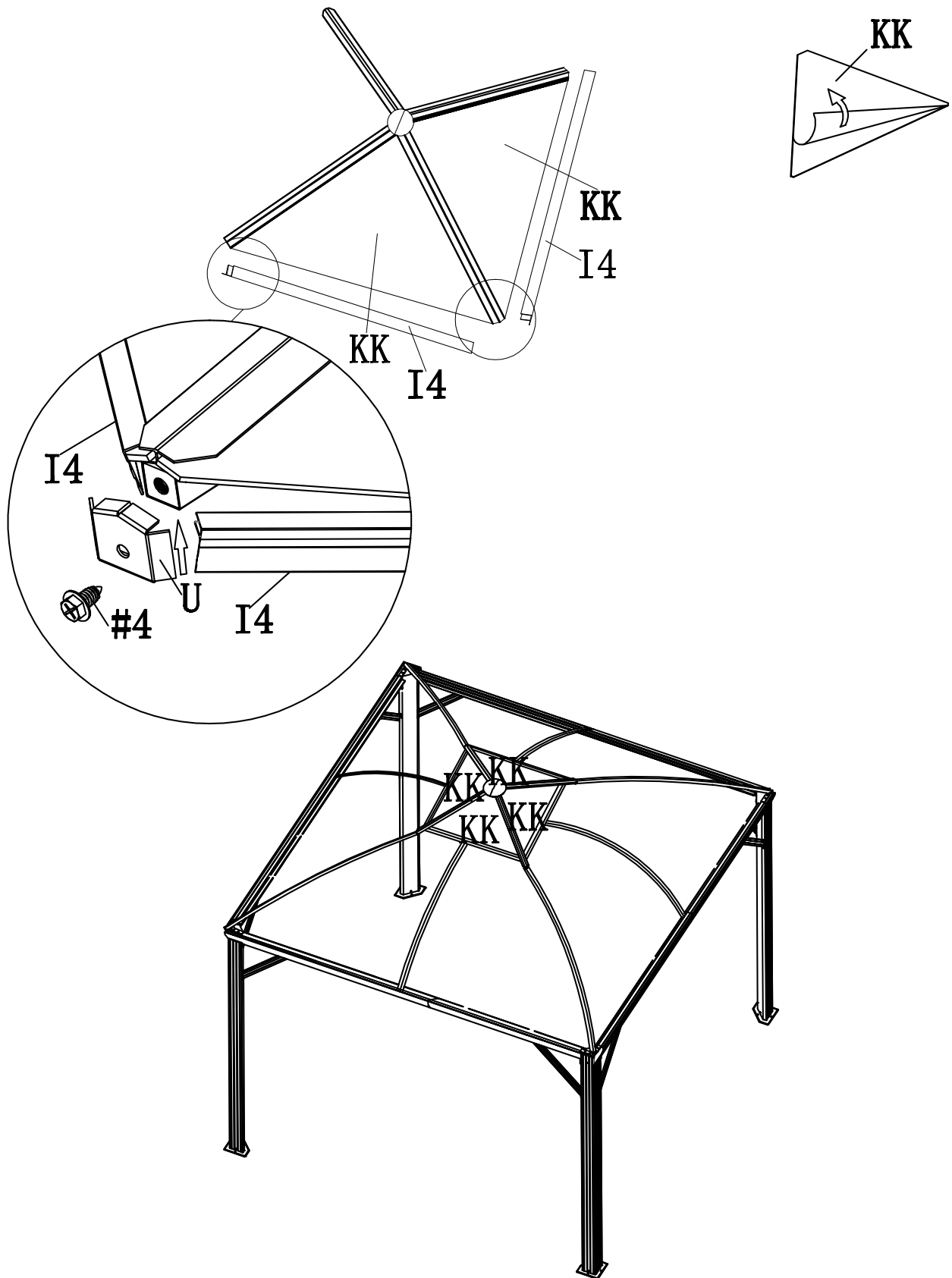


Place the top installed in the previous step on the top, the four corners of the top face the four corners of the top, and the L under the top is fixed to the top with # 1.  
Insert E into the remaining position of the large top Q.

# Assembly Step

## STEP 9

I4*4
U*4
#4*4
KK*4

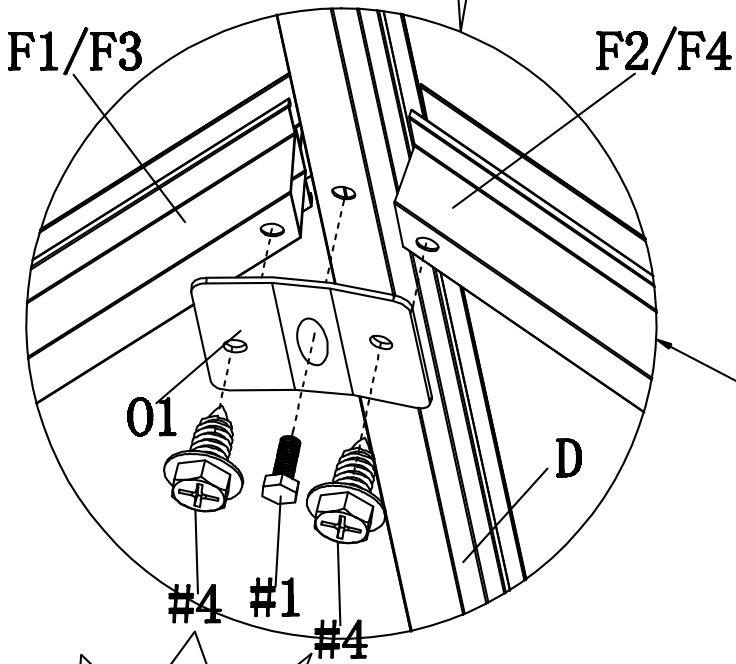
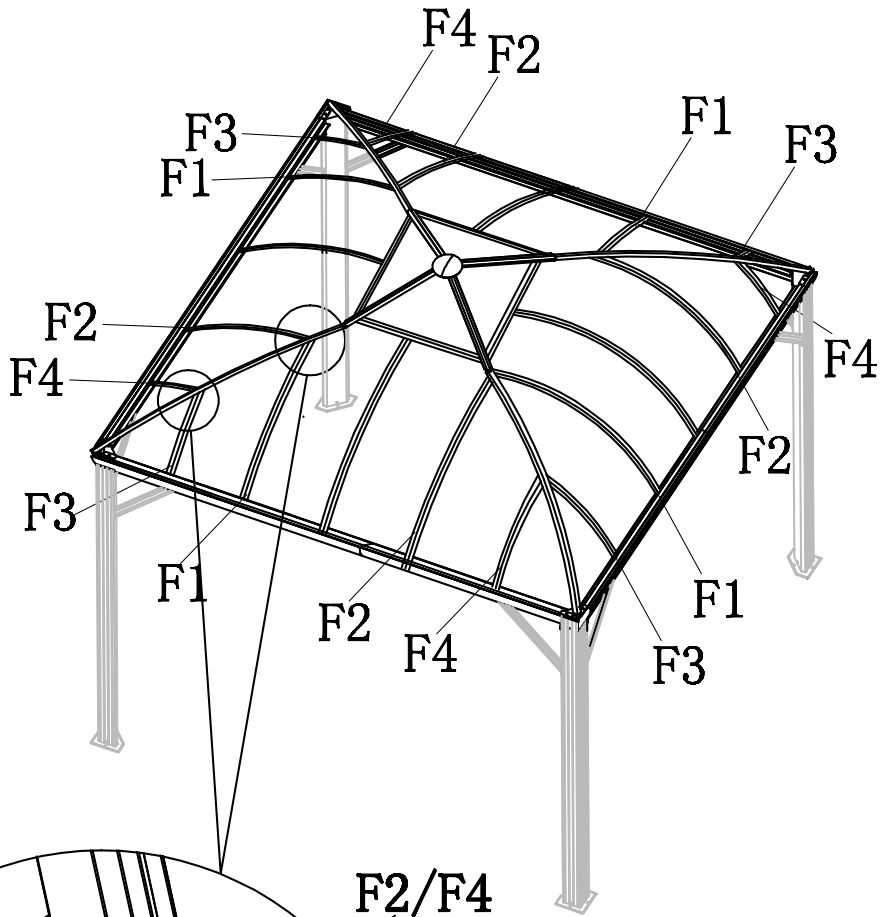


Insert roof panels (KK) into the groove of roof tubes (D1).  
As illustrated, insert roof edges(I4) at the ends of roof panels of the small roof. As illustrated fix the roof corner brackets (U) by using (#4) bolts. In order not to damage inserts, do not over tighten the bolts.

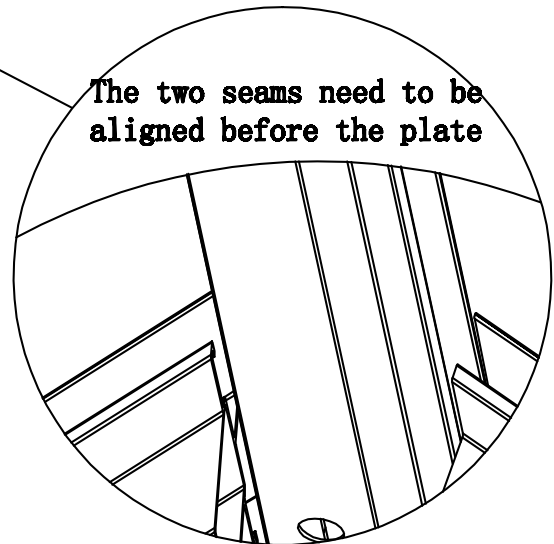
# Assembly Step

## STEP 10

F1*4
F2*4
F3*4
F4*4
O1*8
#1*8
#4*16



The two seams need to be aligned before the plate

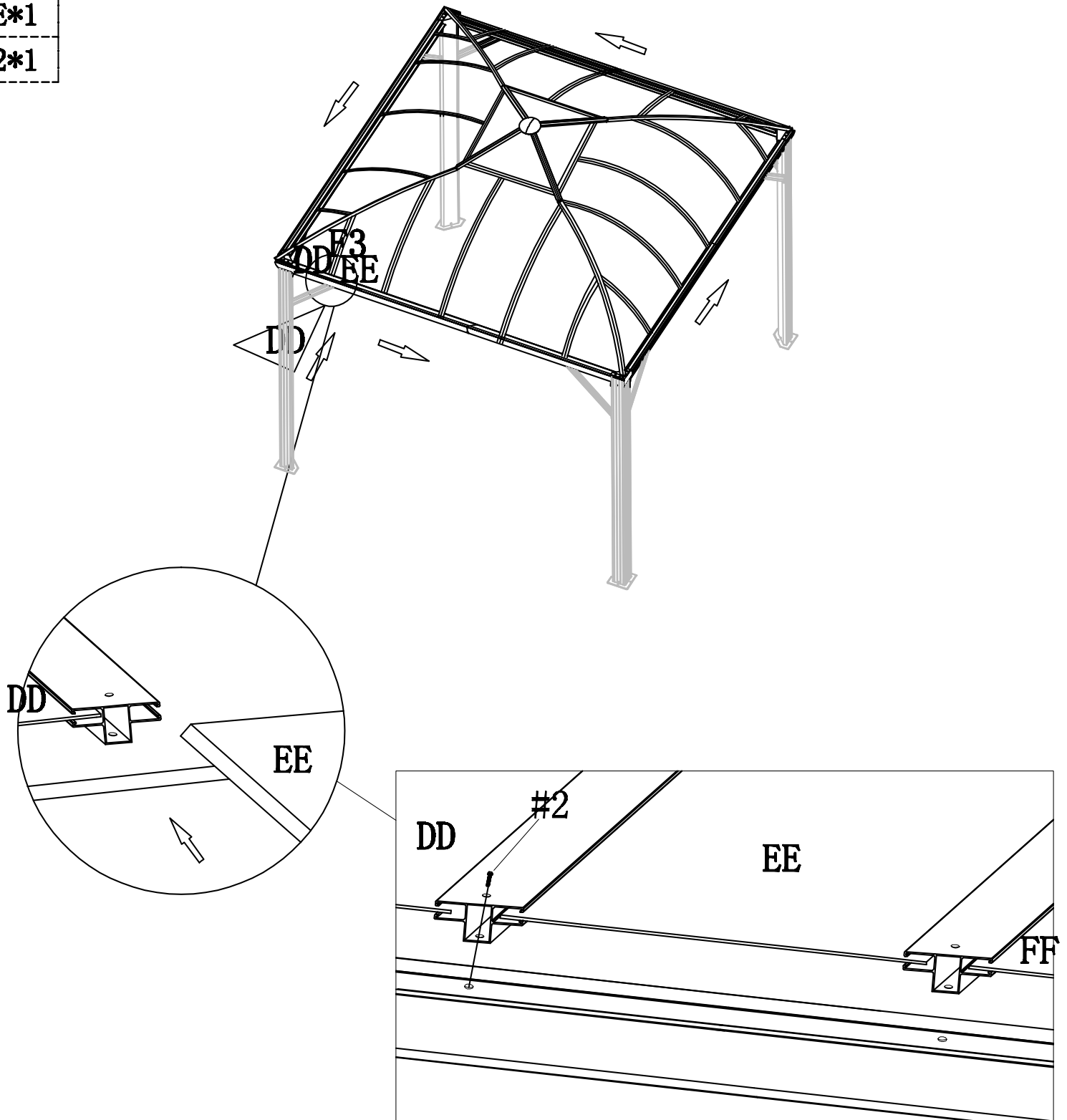


**DON'T  
TIGHTEN**

Install the three holes (O1) on the two holes at the bottom of the pipe jacking (D) by bolts (#1). Then combine (F3) and (F4), (F1) and (F2) one side towards the sky, and fix the two holes of the pipe through the bolts (#4), and the lower end on the beam.

## STEP 11

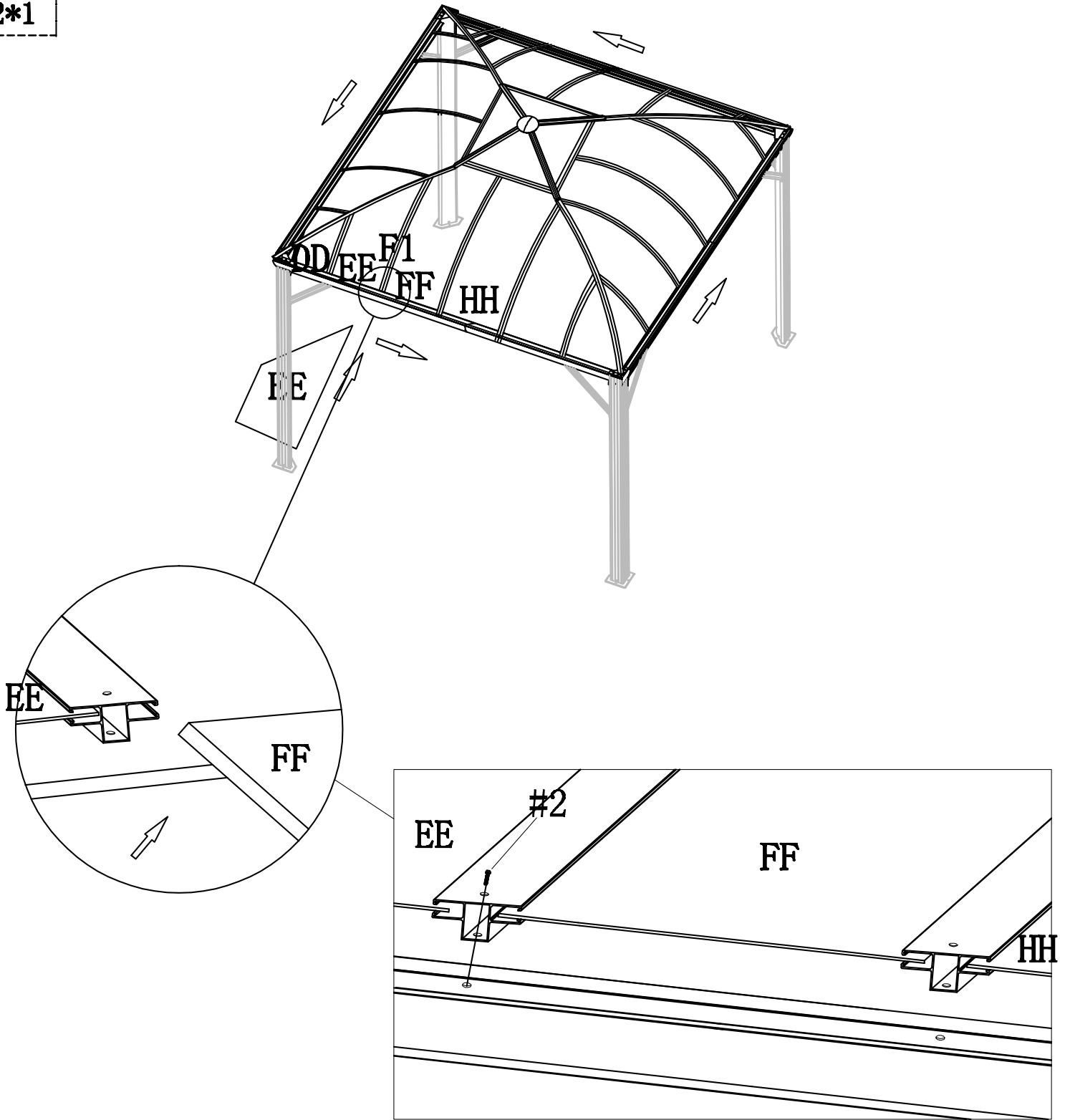
DD*1
EE*1
#2*1



First, the corner board DD is inserted into the position, then the EE adjacent to the DD is also inserted, and then the lower end of F3 is fixed with #2.

## STEP 12

FF\*1  
#2\*1

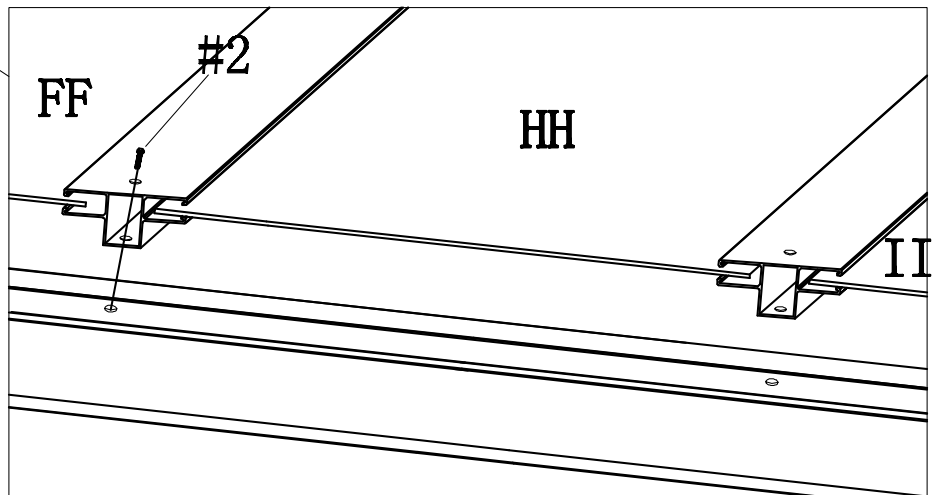
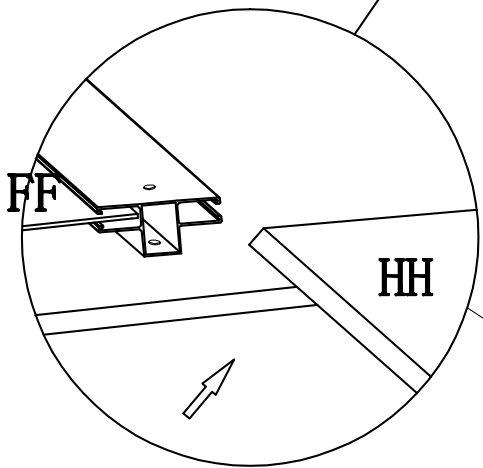
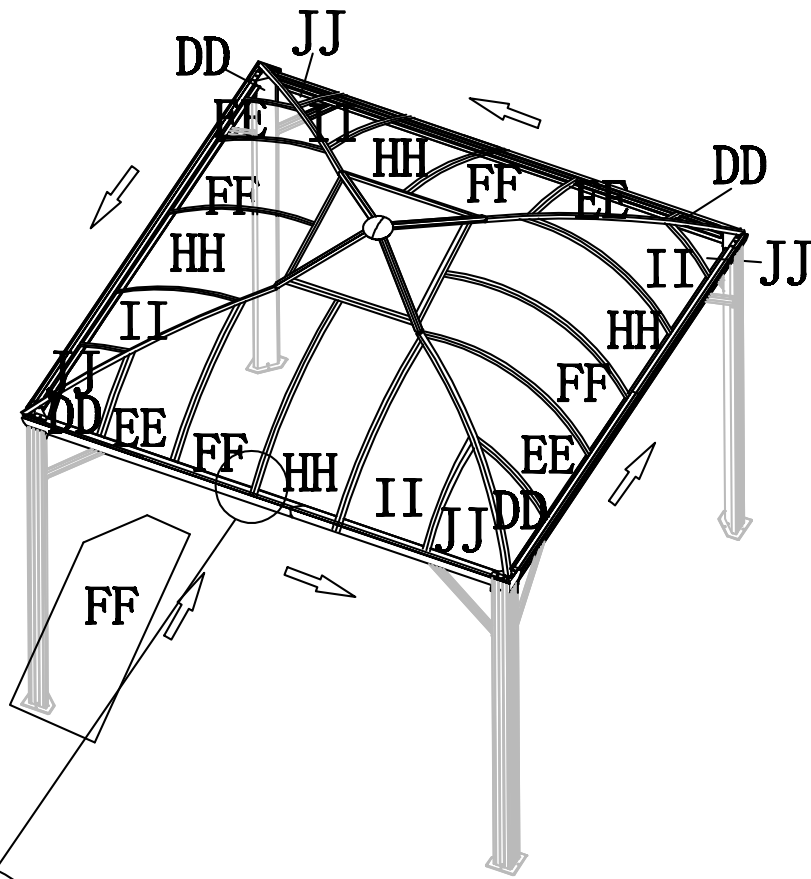


The FF adjacent to EE was inserted, and then the lower end of F1 was fixed with #2.

# Assembly Step

## STEP 13

FF*3
HH*4
DD*3
EE*3
II*4
JJ*4
#2*18



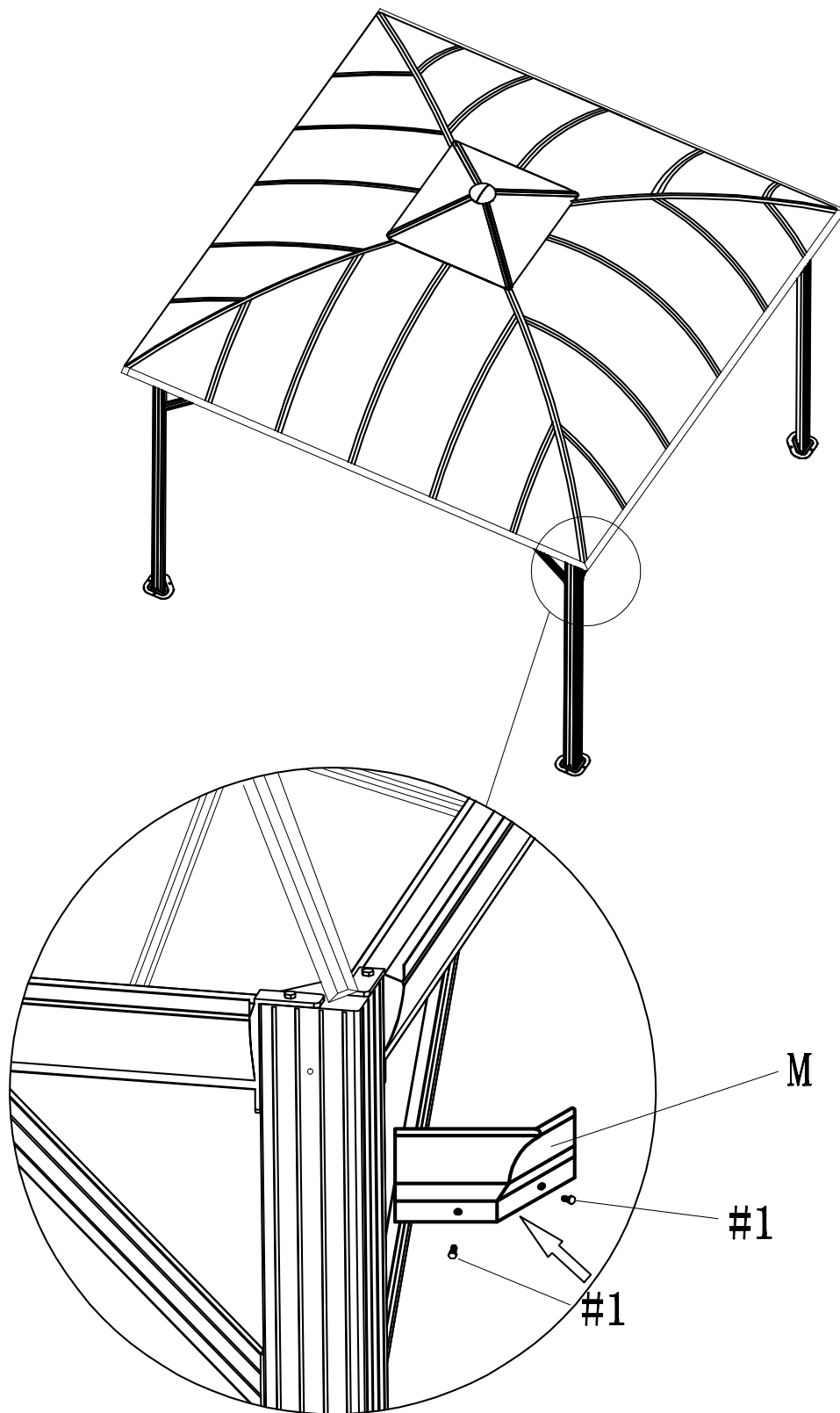
Repeat the above steps and install the plate in the same direction.



# Assembly Step

## STEP 14

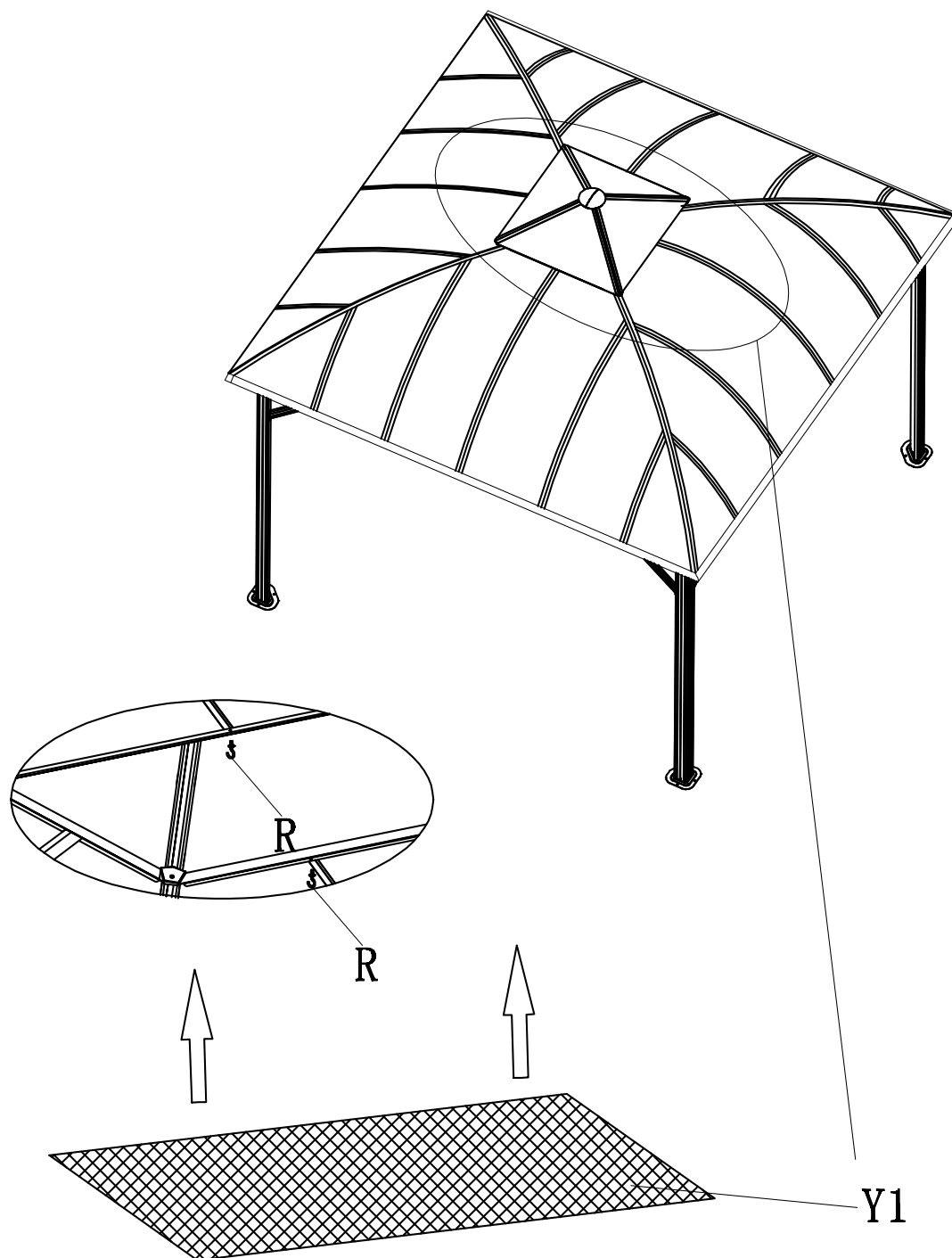
M\*4  
#1\*8



**Install the angle as shown.**

## STEP 15

R*2
Y1*1

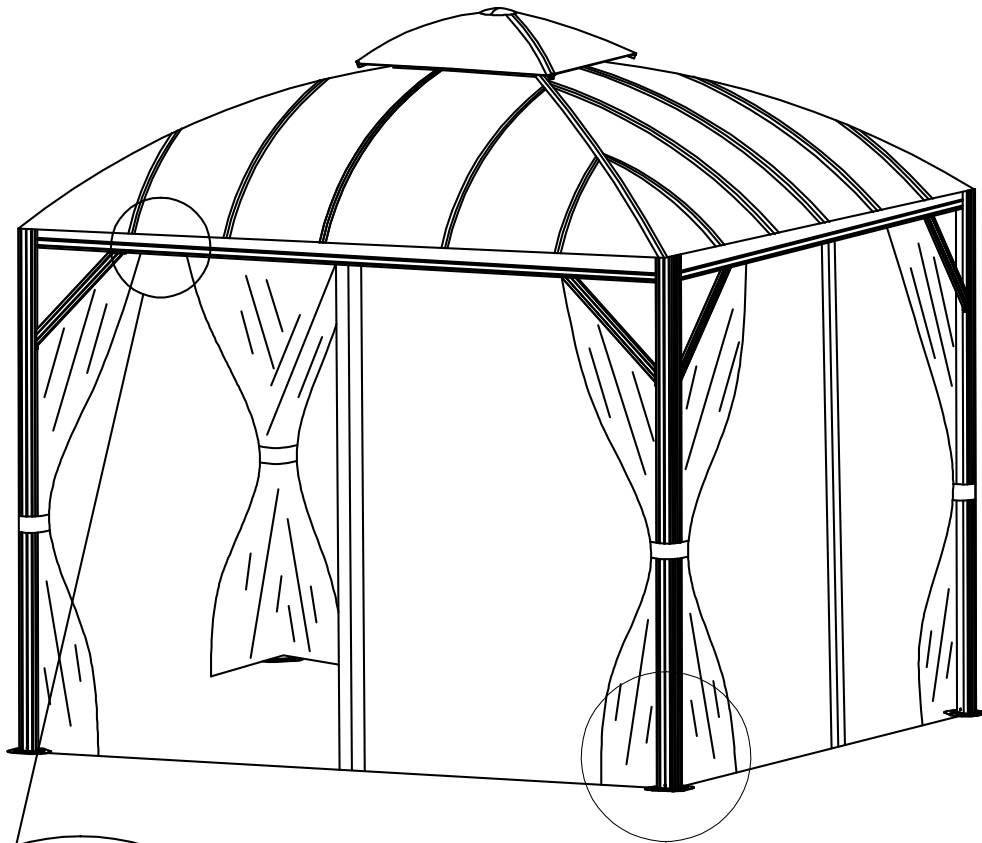


Put the small gauze net flat to the bottom of the top frame through Velcro, and install the lamp hook.

# Assembly Step

## STEP 16

W\*1  
X\*1

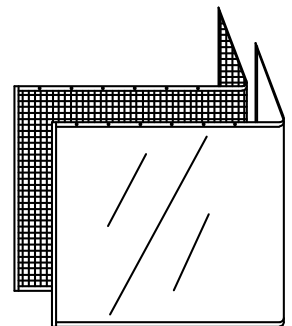
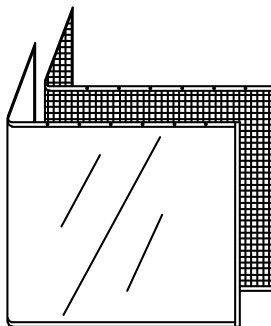
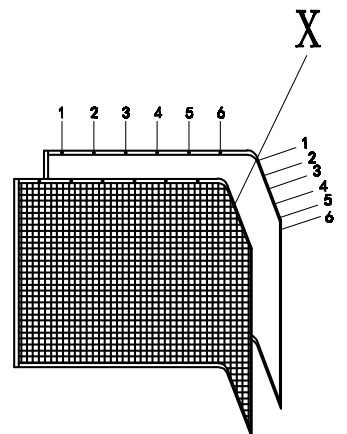
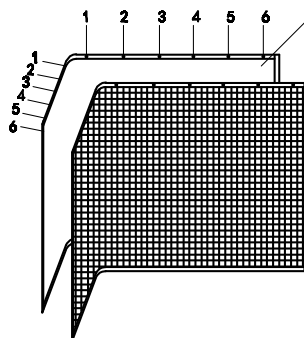
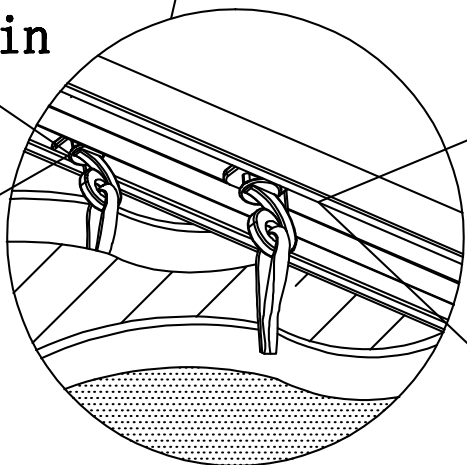


Curtain

Net

W

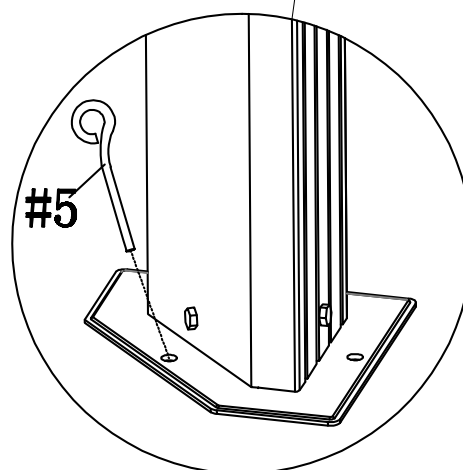
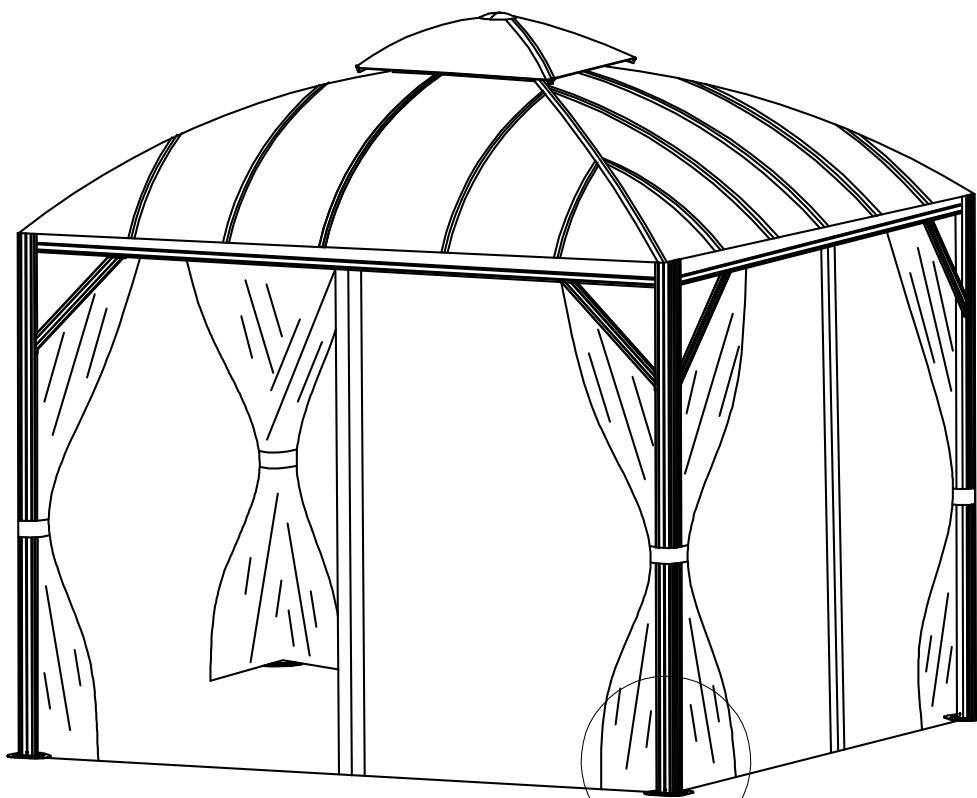
X



As shown in the figure, hang the curtain and gauze net through the hook on the guide rail.  
Please note the curtain on the outside and the net on the inside.

## STEP 17

#5\*4



Use the stakes (#5) for ground fixing. Take note the anchoring devices to use may vary with ground status. Additional anchoring devices are not provided.