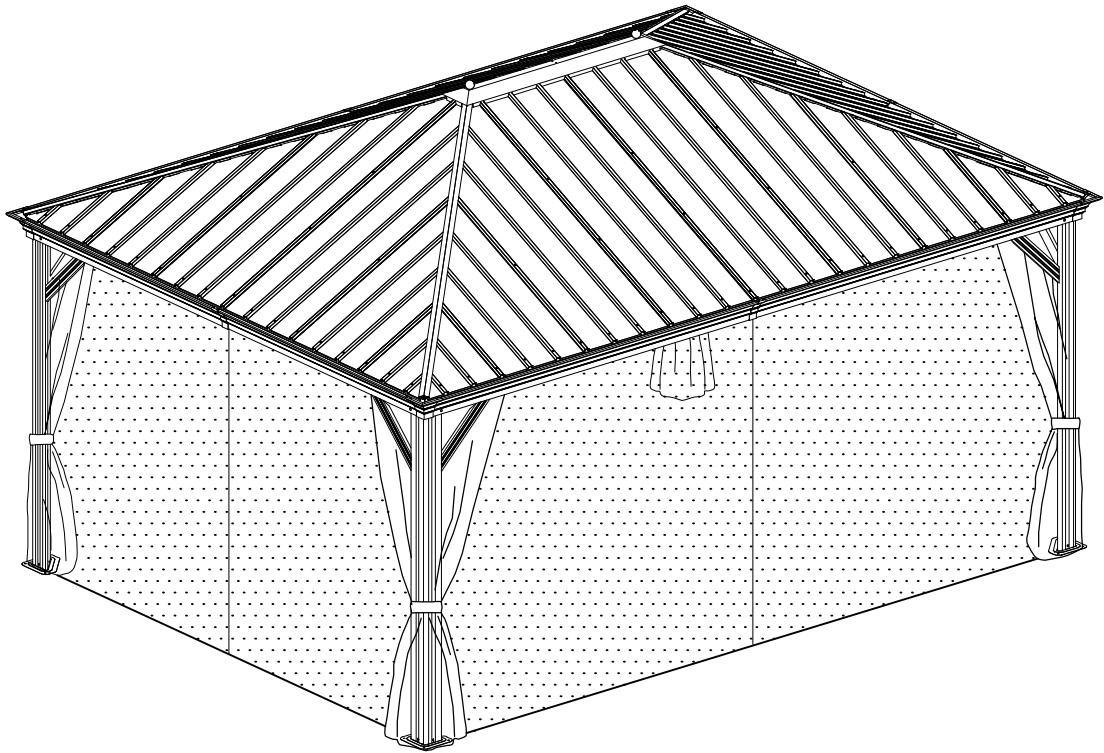
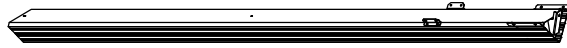


# 12 x 16FT

▯ ▯ ▯ ▯ ▯ ▯ ▯ ▯ ZHG-035TN ▯ ▯ ▯ ▯ ▯ ▯ ▯ ▯





A 4x



B1 2x



B2 2x



B5 2x



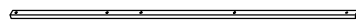
B6 2x



E12 4x



E13 2x



E14 4x



C1 2x



C2 2x



C5 2x



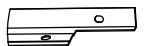
C6 2x



D1 2x



D2 2x



D3 2x



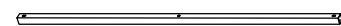
D4 2x



D15 2x



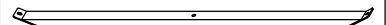
F1 8x



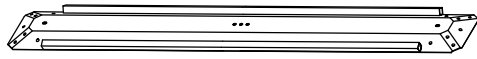
F3 4x



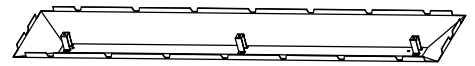
F10 8x



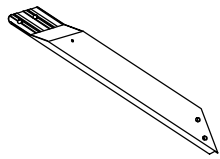
F5 2x



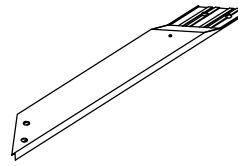
L3C 1x



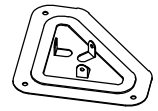
M3b 1x



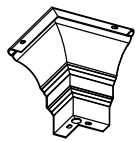
H 4x



H1 4x



J 4x



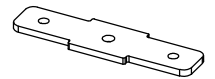
K 4x



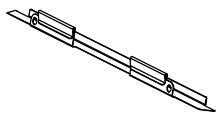
K1 4x



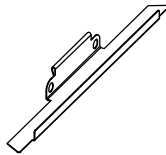
W 8x



W1 12x



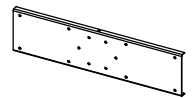
Z 64x



Z1 8x



V 4x



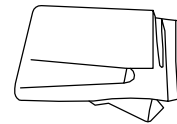
P 4x



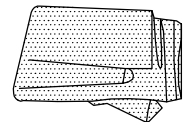
Y 92x



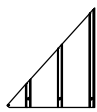
U 128x



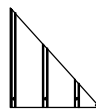
T 4x



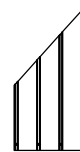
T1 4x



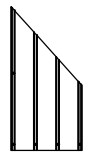
R1 4x



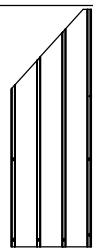
R2 4x



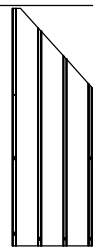
R3 4x



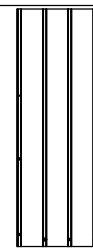
R4 4x



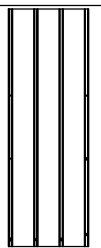
P1 4x



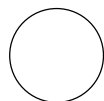
P2 4x



P3 2x



P4 2x



Za 2x



M6x15

1 280x



M6x23

2 74x



M6x25

3 15x

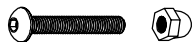


ST 4.8x12

4 24x



5 2x



M6x42

6 6x



M6x47

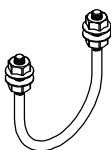
7 12x



8 16x



10 12x



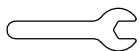
11 1x



12 2x 4mm



13 1x 6mm

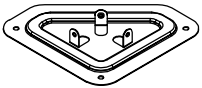


14 1x

<1>



(A) 4x

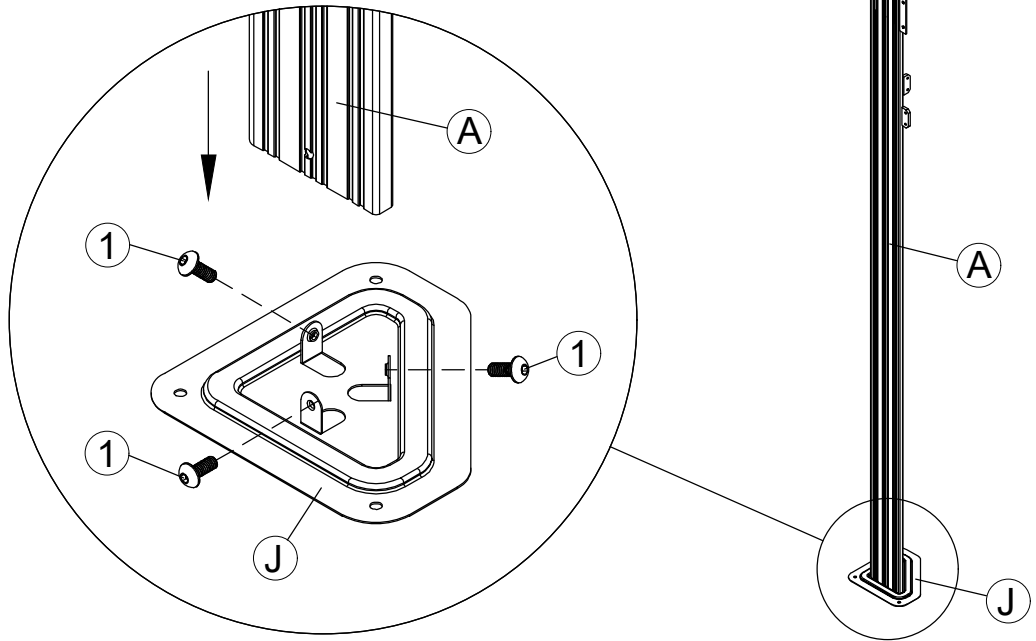


(J) 4x

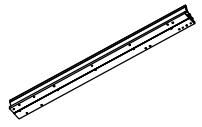


M6x15

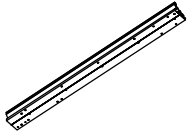
(1) 12x



<2>



B1 2x



B2 2x



C1 2x



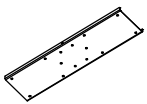
C2 2x



D1 2x



D2 2x



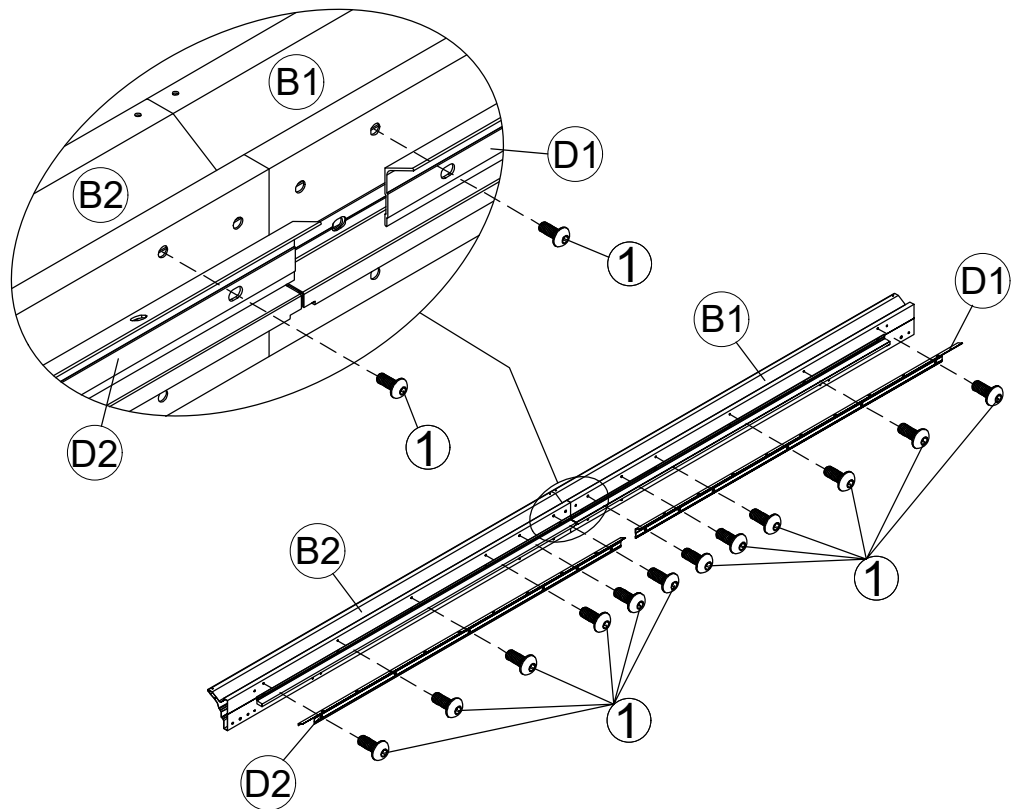
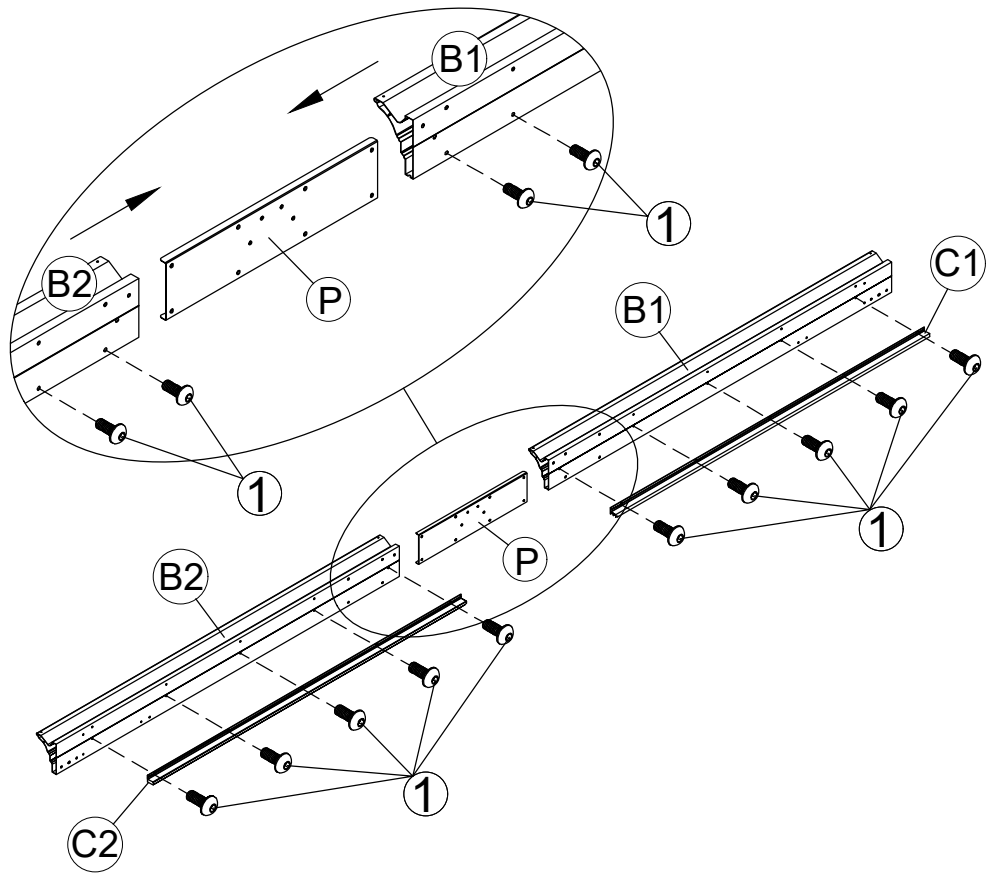
P 2x



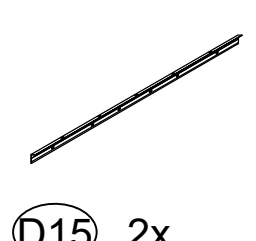
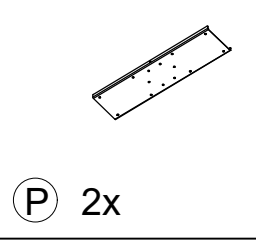
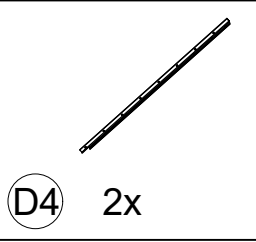
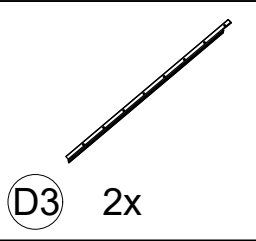
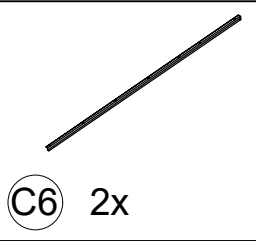
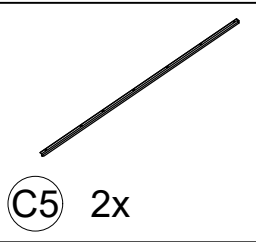
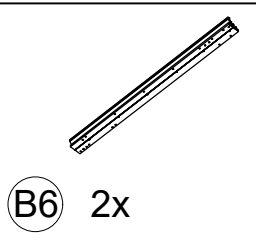
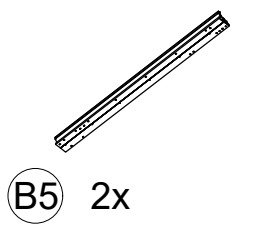
M6x15

1 52x

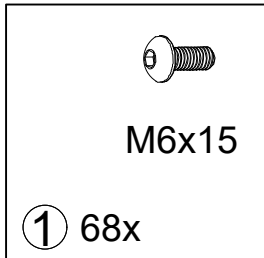
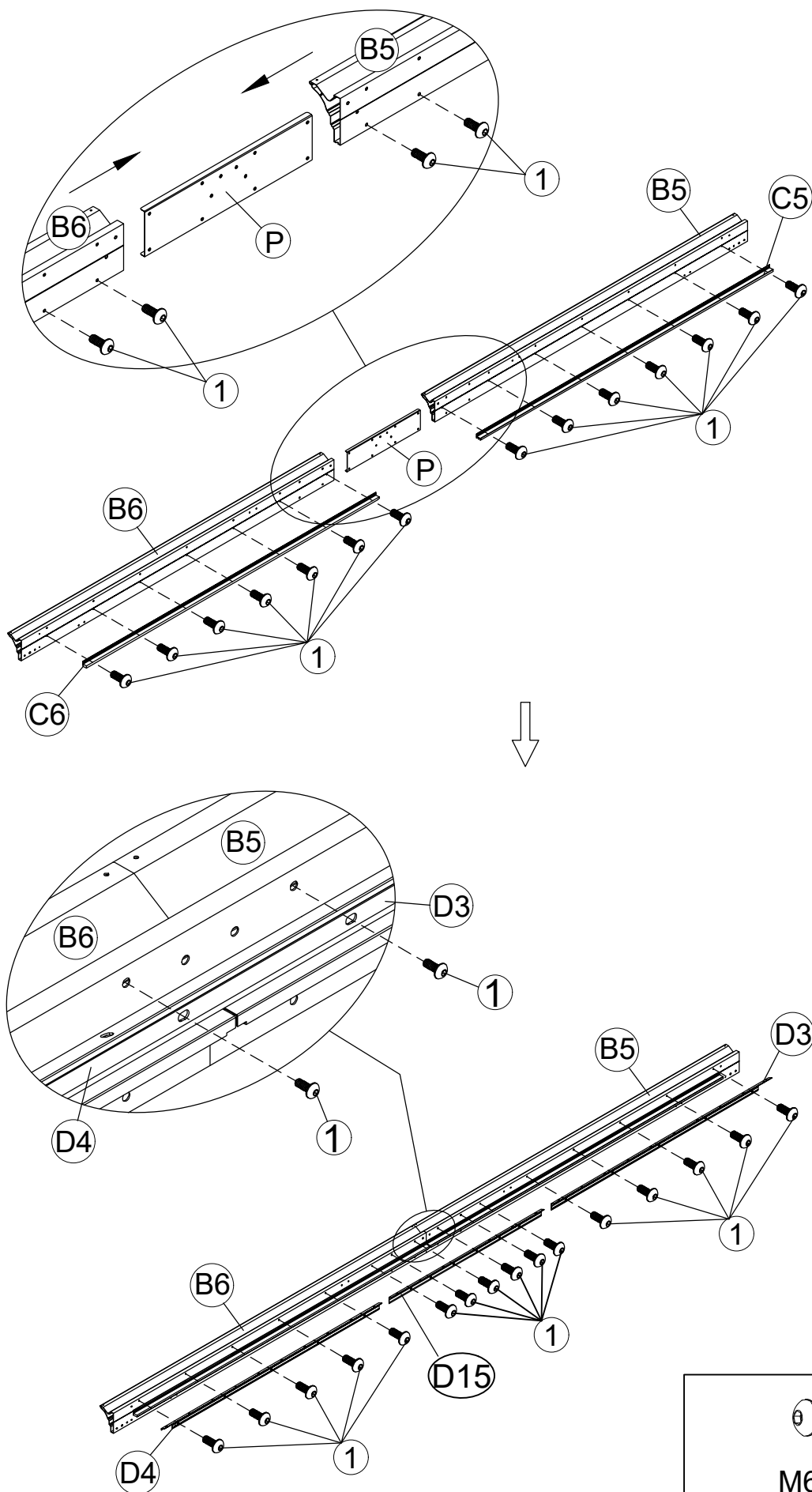
6



<3>



7



<4>

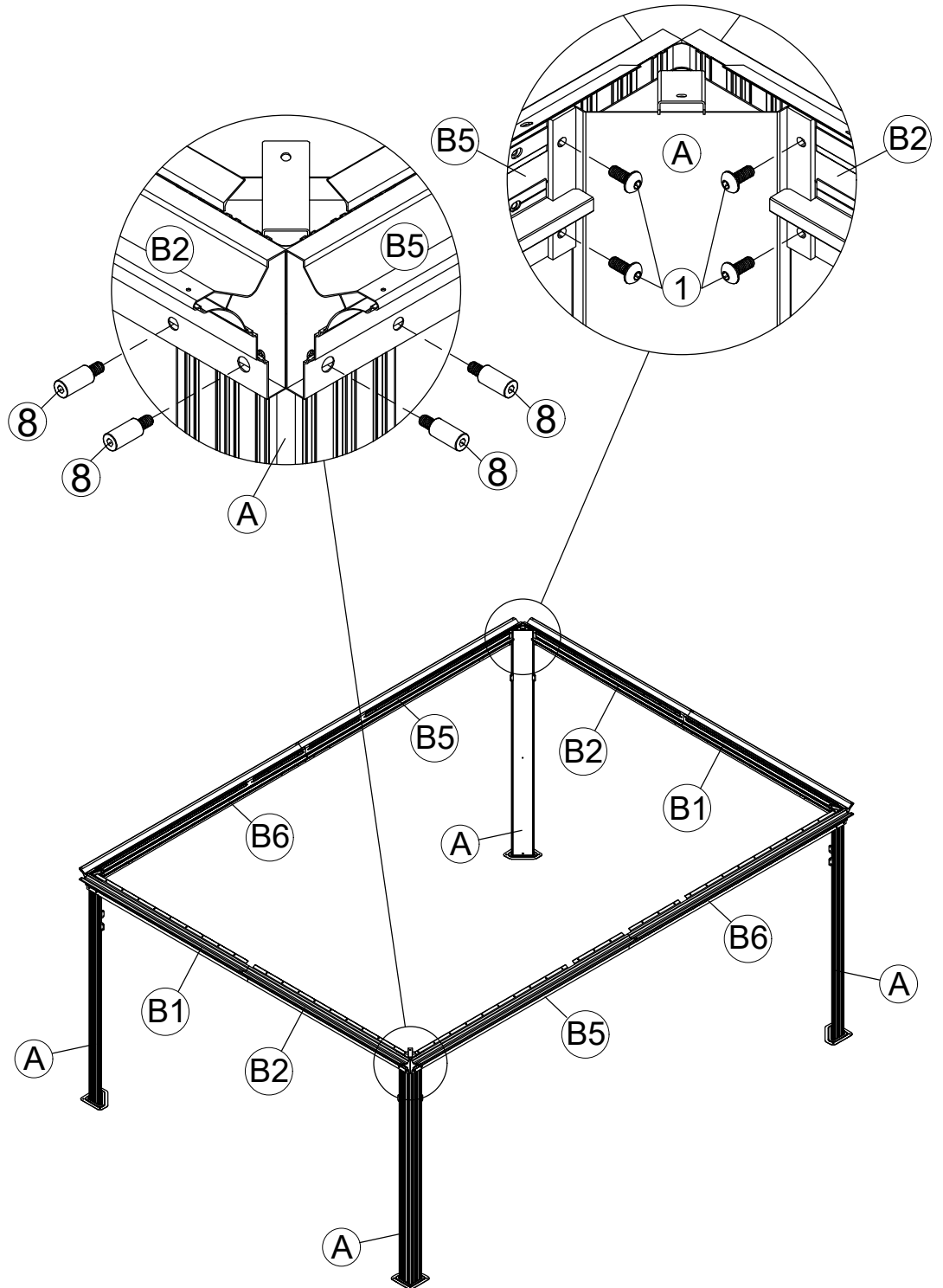


⑧ 16x

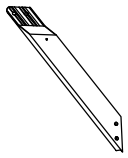


M6x15

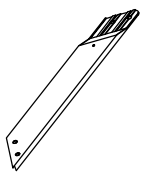
① 16x







(H) 4x



(H1) 4x



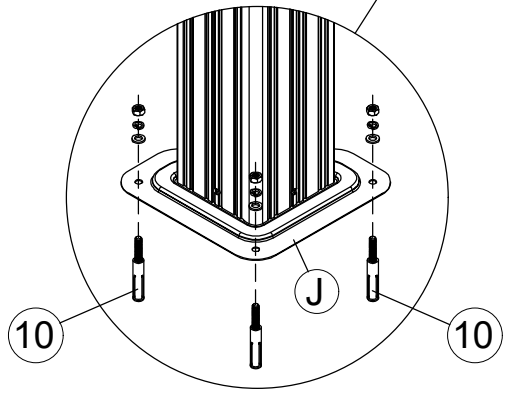
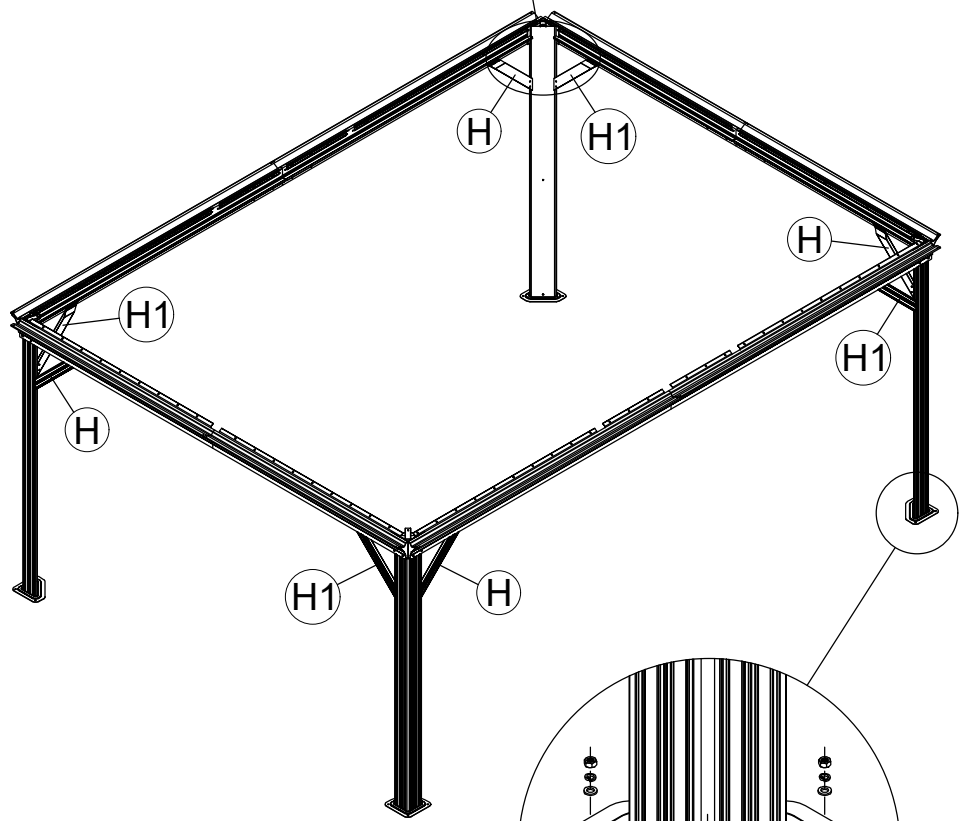
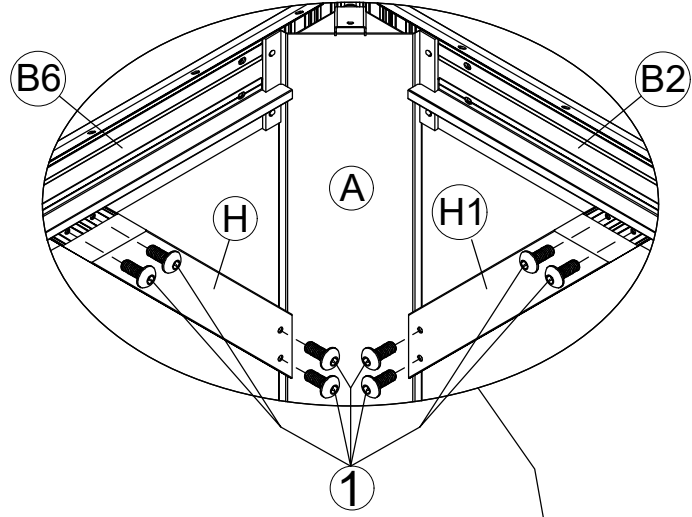
M6x15

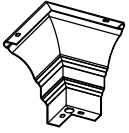
(1) 32x



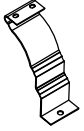
(10) 12x

<5>





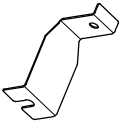
(K) 4x



(K1) 4x



(U) 128x



(V) 4x



M6x15

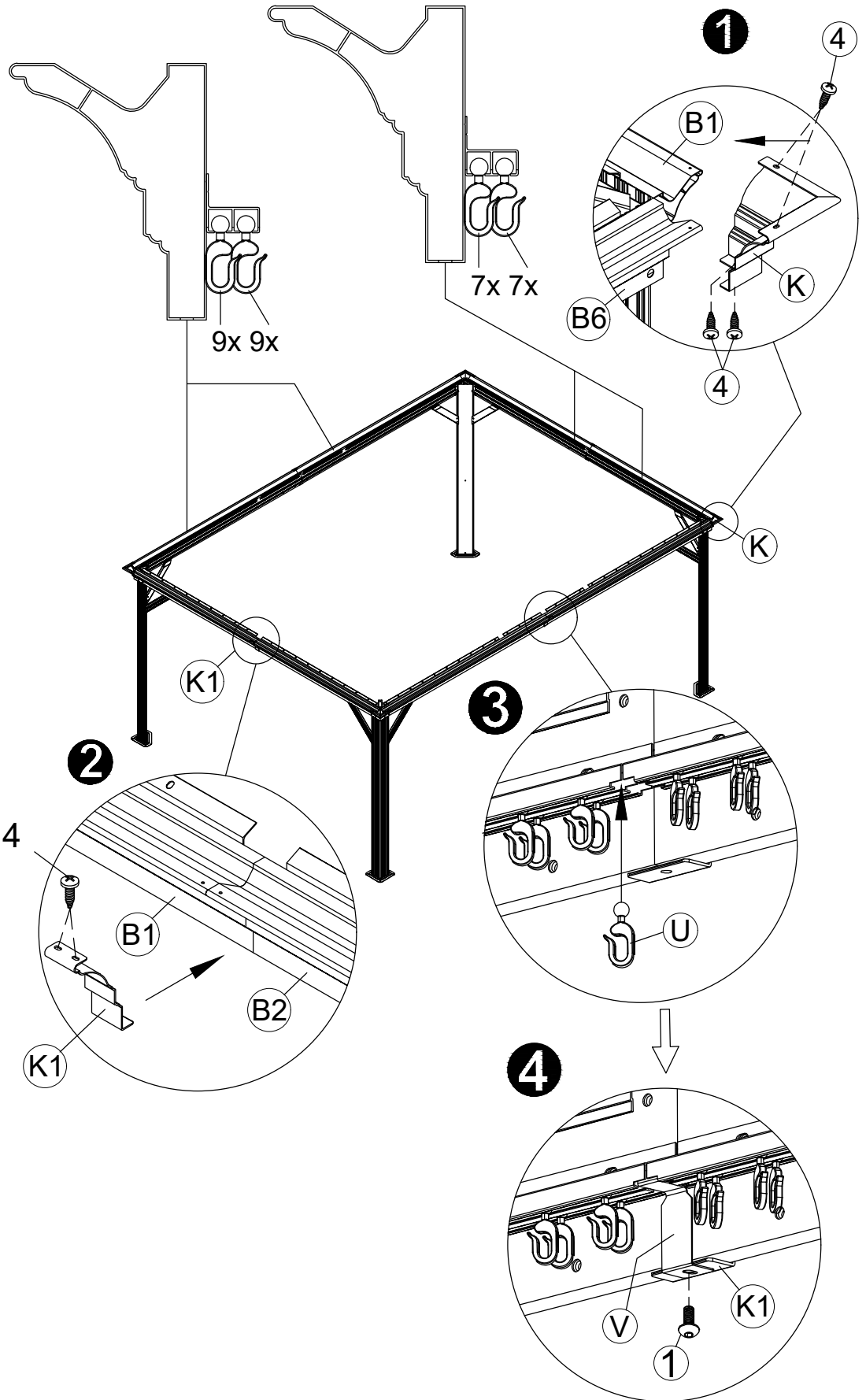
(1) 4x

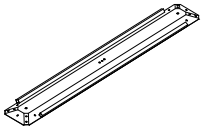


ST4.8x12

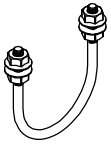
(4) 24x

<6>

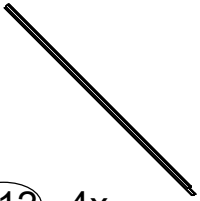




L3C 1x



11 1x



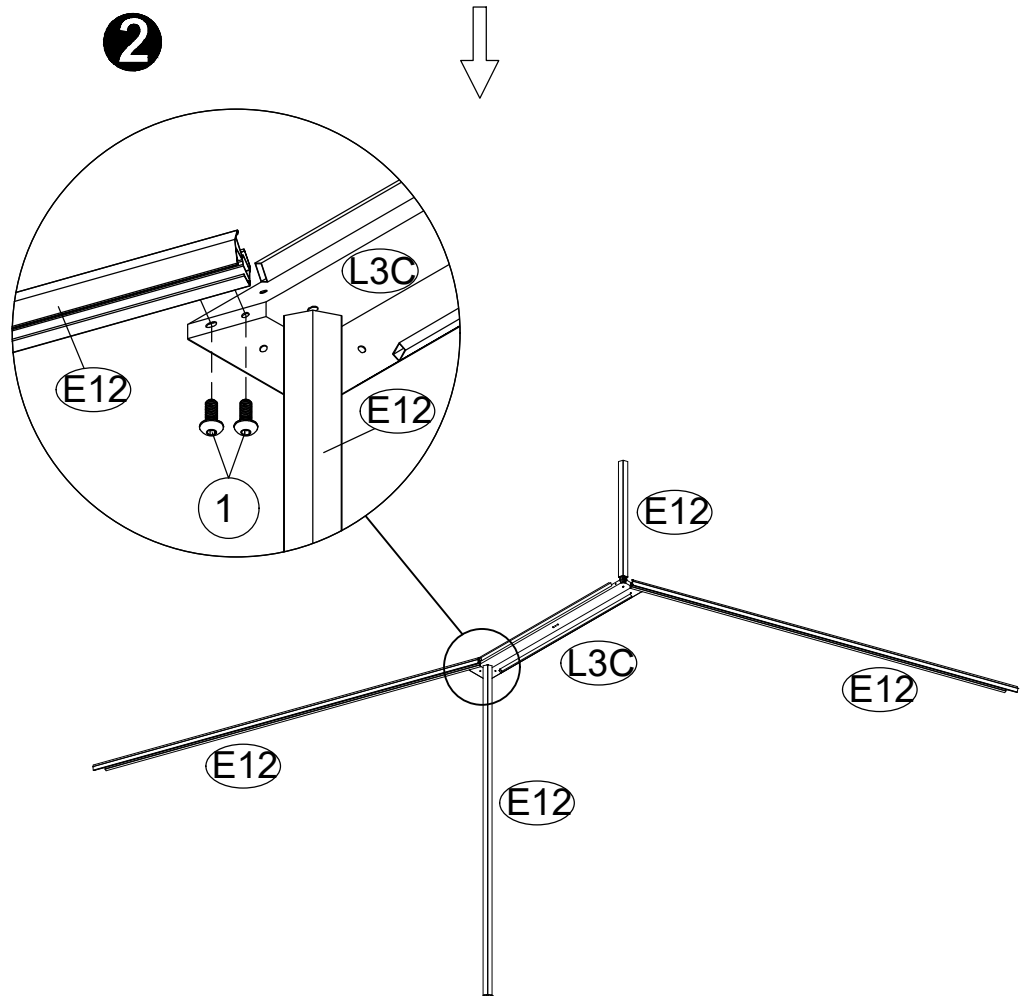
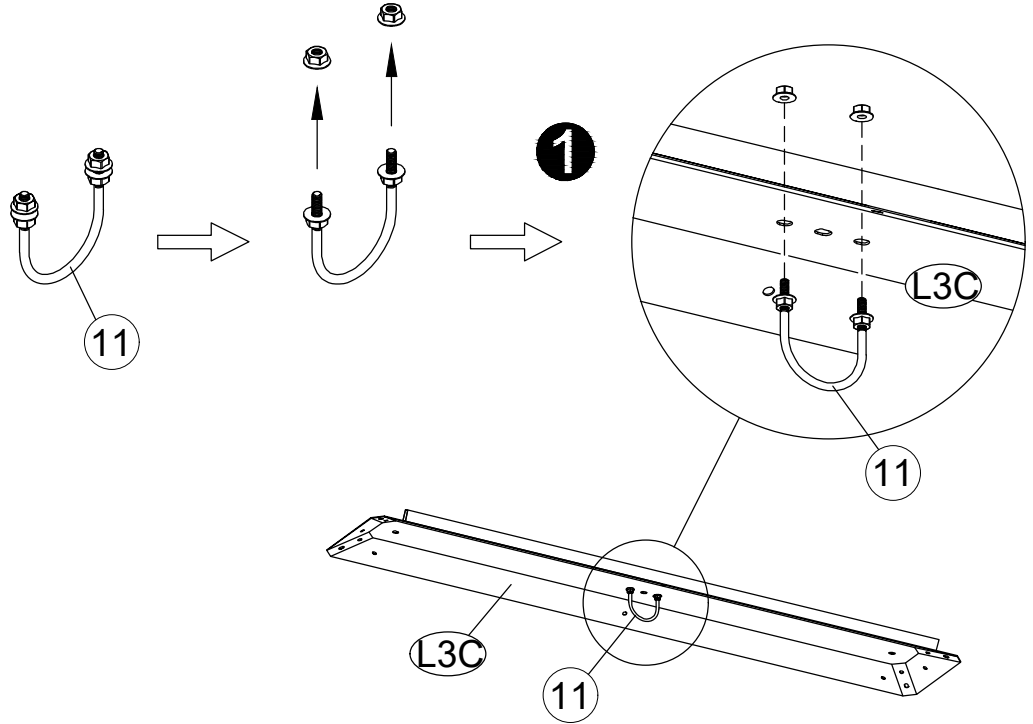
E12 4x



M6x15

1 8x

<7>



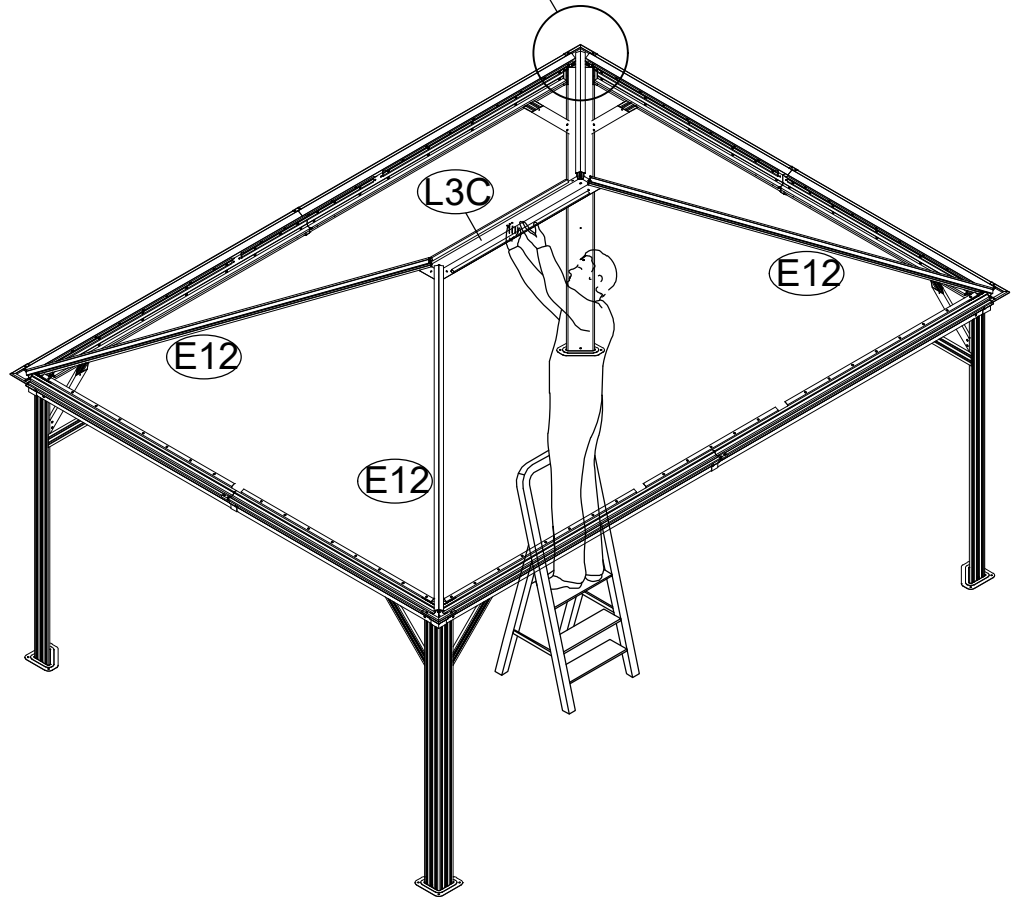
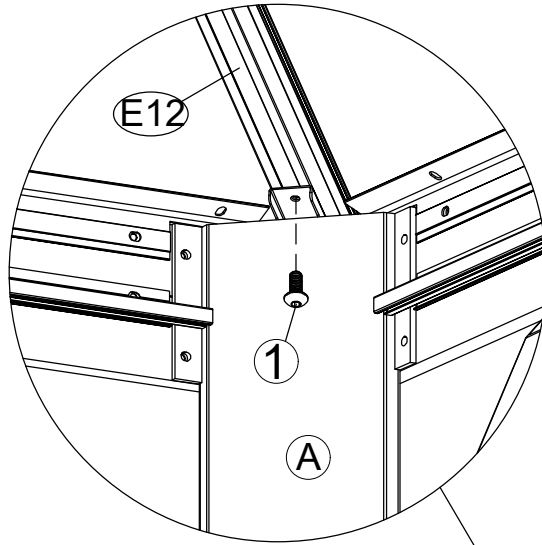
11



M6x15

① 4x

<8>



Note:

1. Let one person stand on the ladder to lift "L3C" and hold and let others fasten the screws connecting both ends of "E12".
2. Please do not let go of holding "L3C" until all the "E12" screws are installed.

<9>

E13 2x

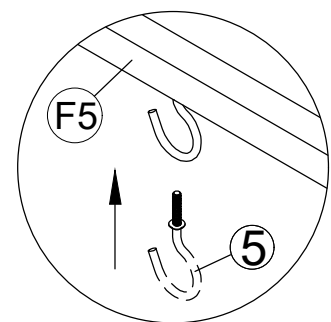
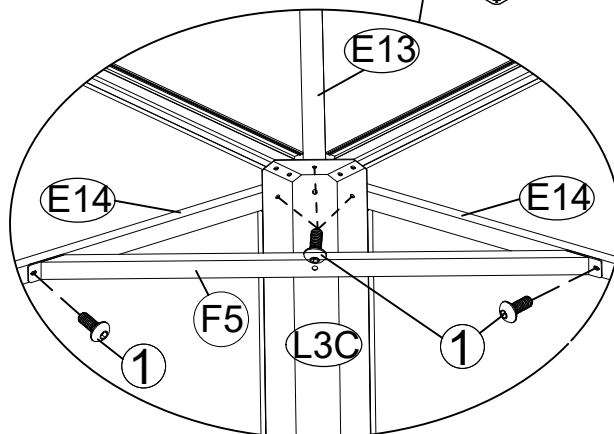
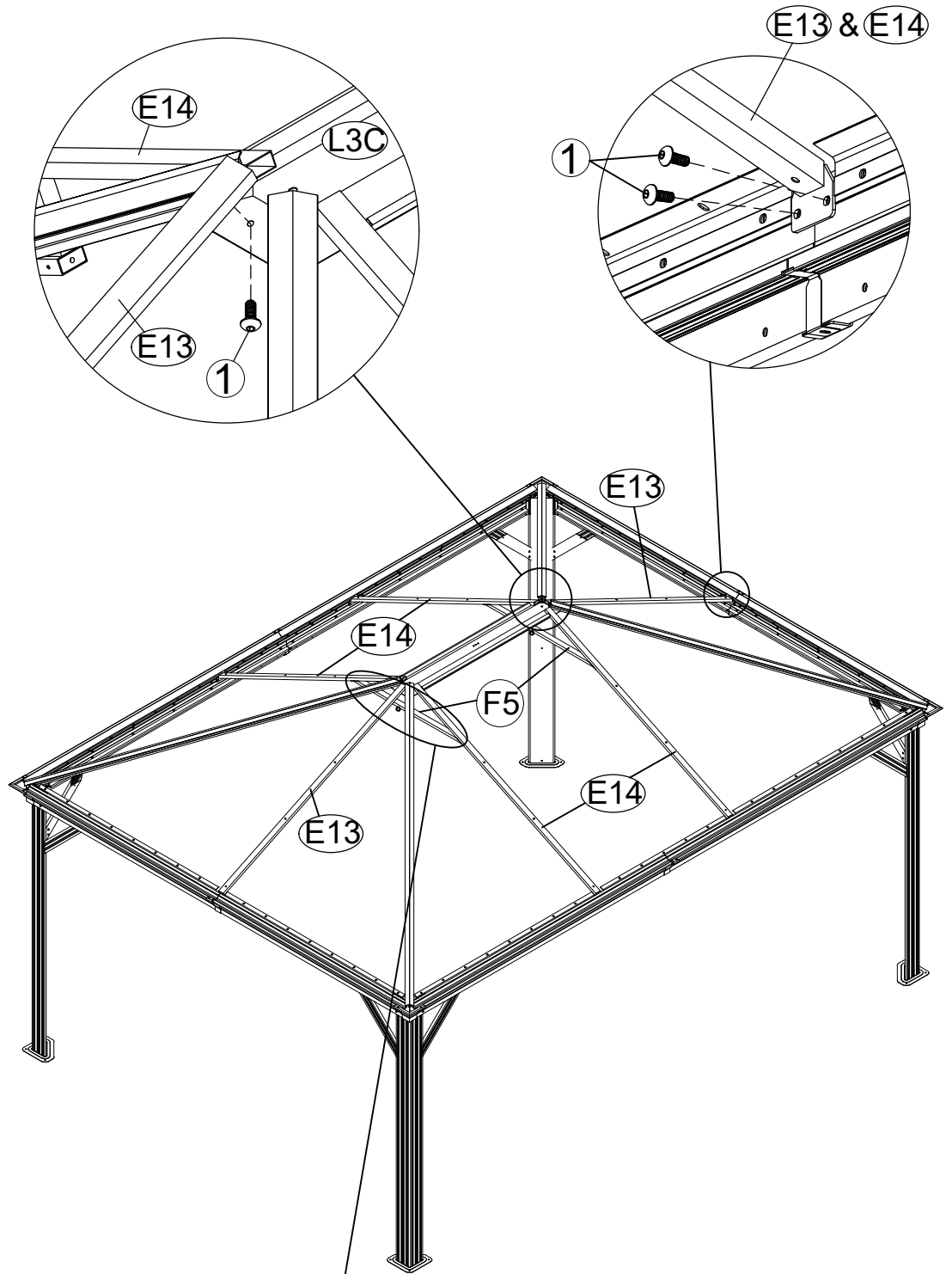
E14 4x

F5 2x

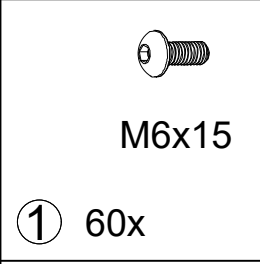
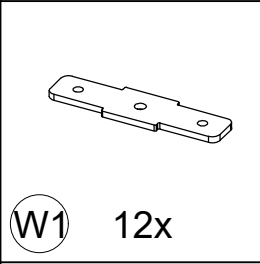
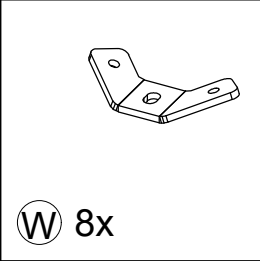
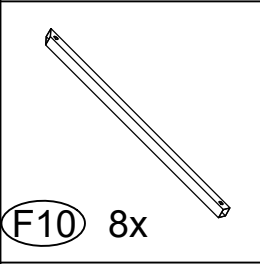
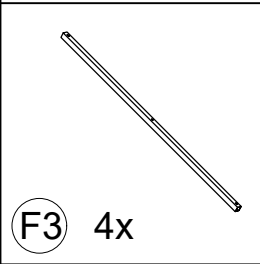
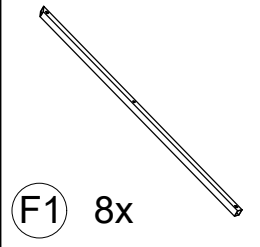
5 2x

M6x15

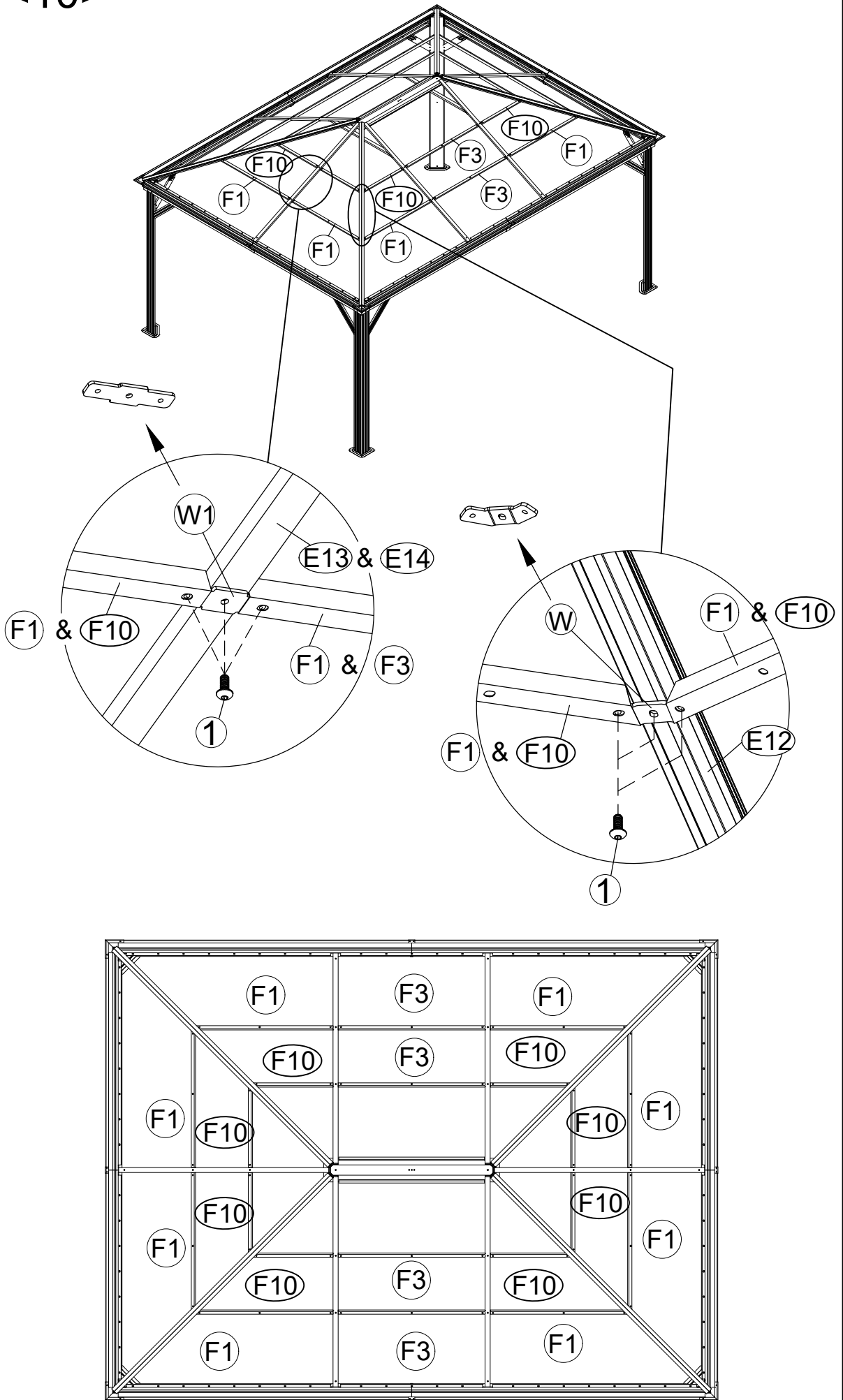
1 22x



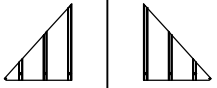
<10>



14

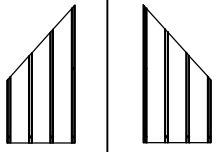


<11>



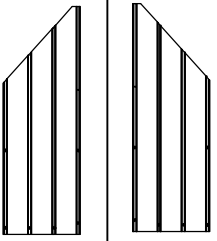
(R1) 2x

(R2) 2x



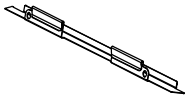
(R3) 2x

(R4) 2x

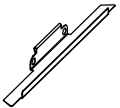


(P1) 2x

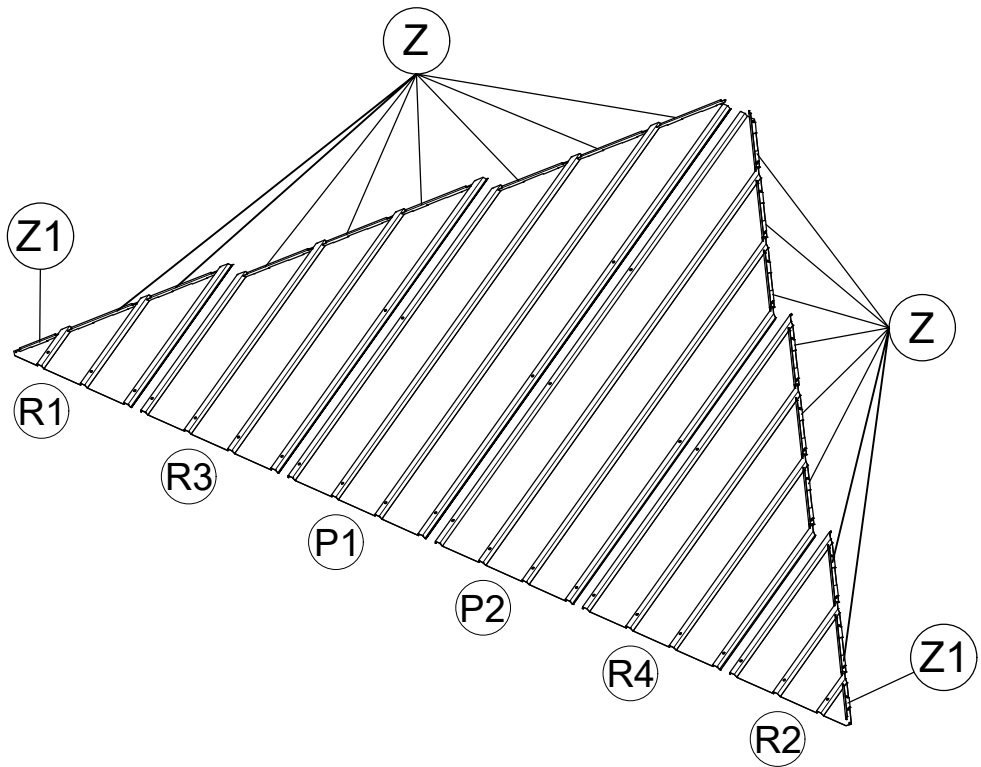
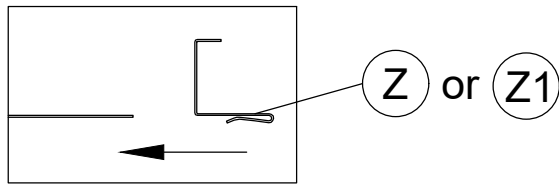
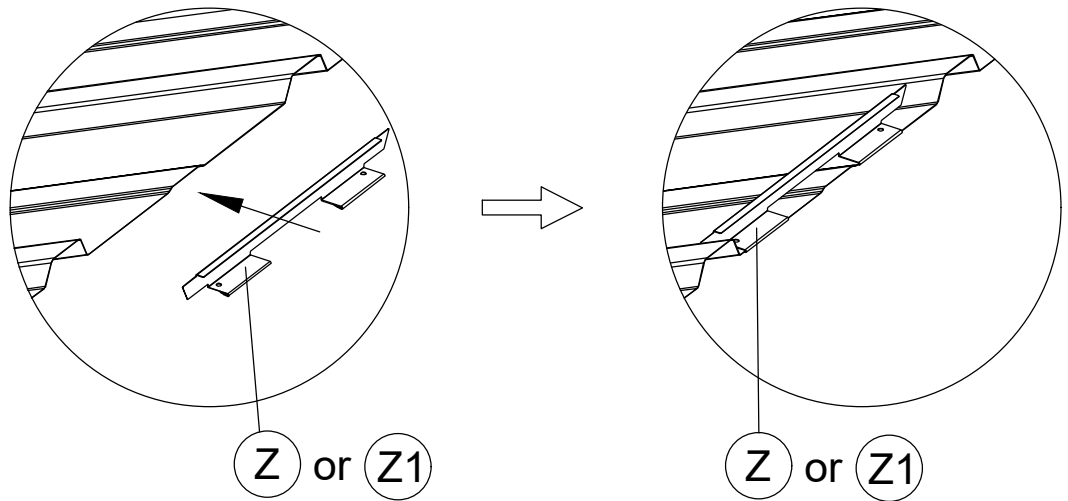
(P2) 2x



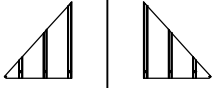
(Z) 32x



(Z1) 4x

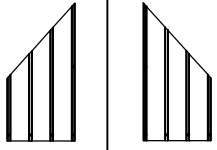


<12>



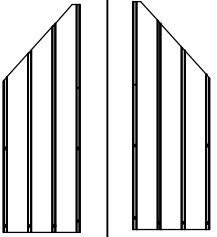
(R1) 2x

(R2) 2x



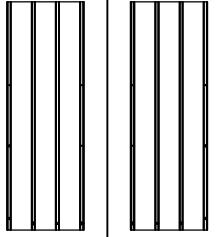
(R3) 2x

(R4) 2x



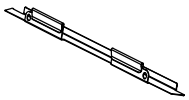
(P1) 2x

(P2) 2x

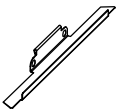


(P3) 2x

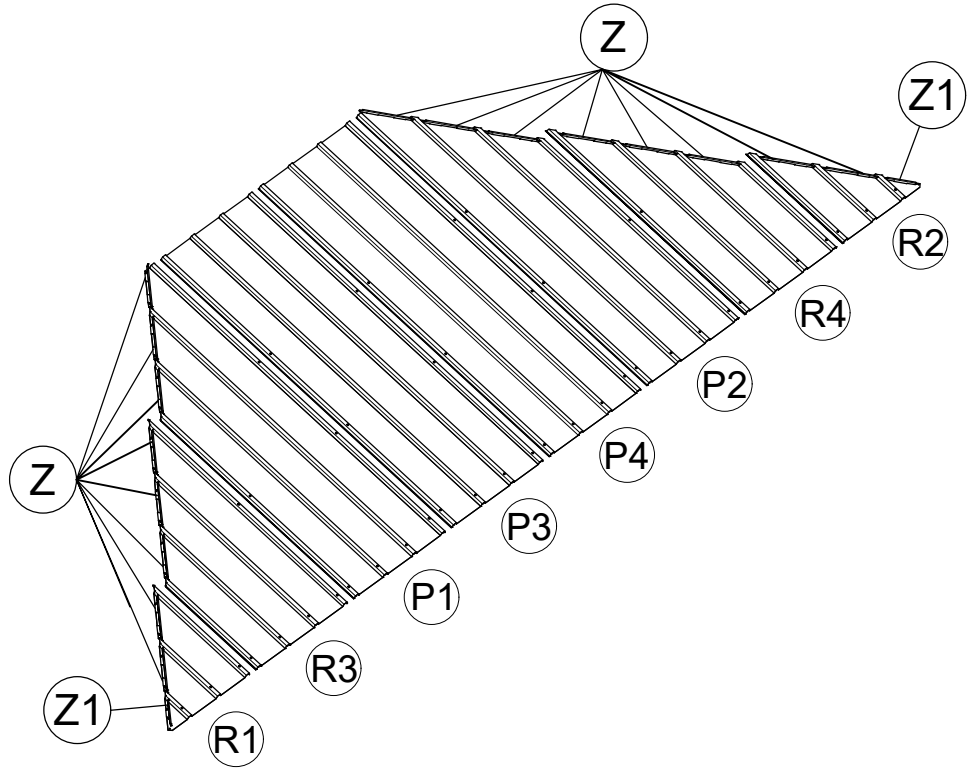
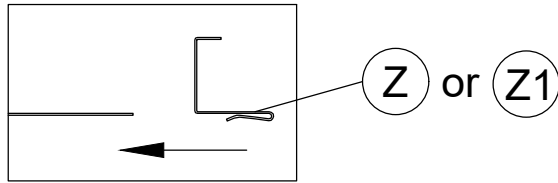
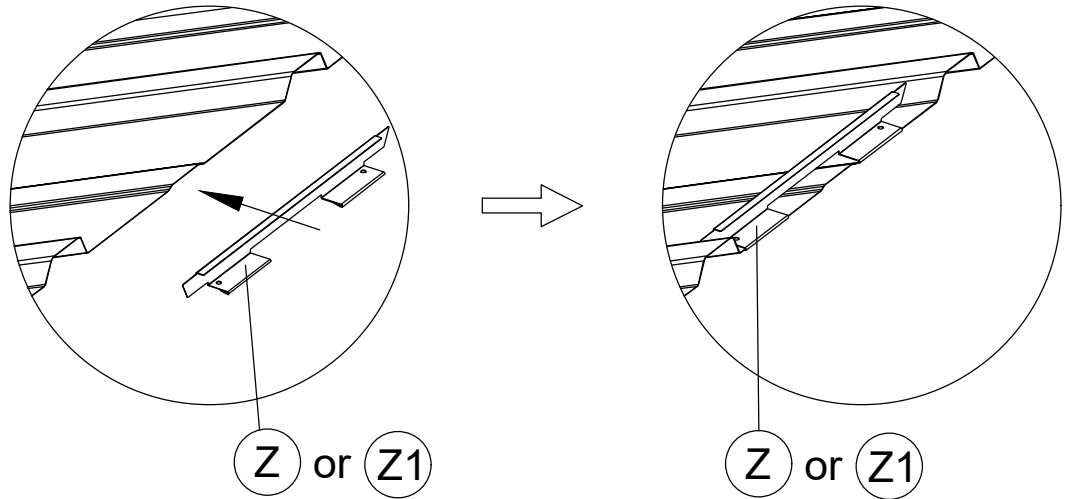
(P4) 2x



(Z) 32x

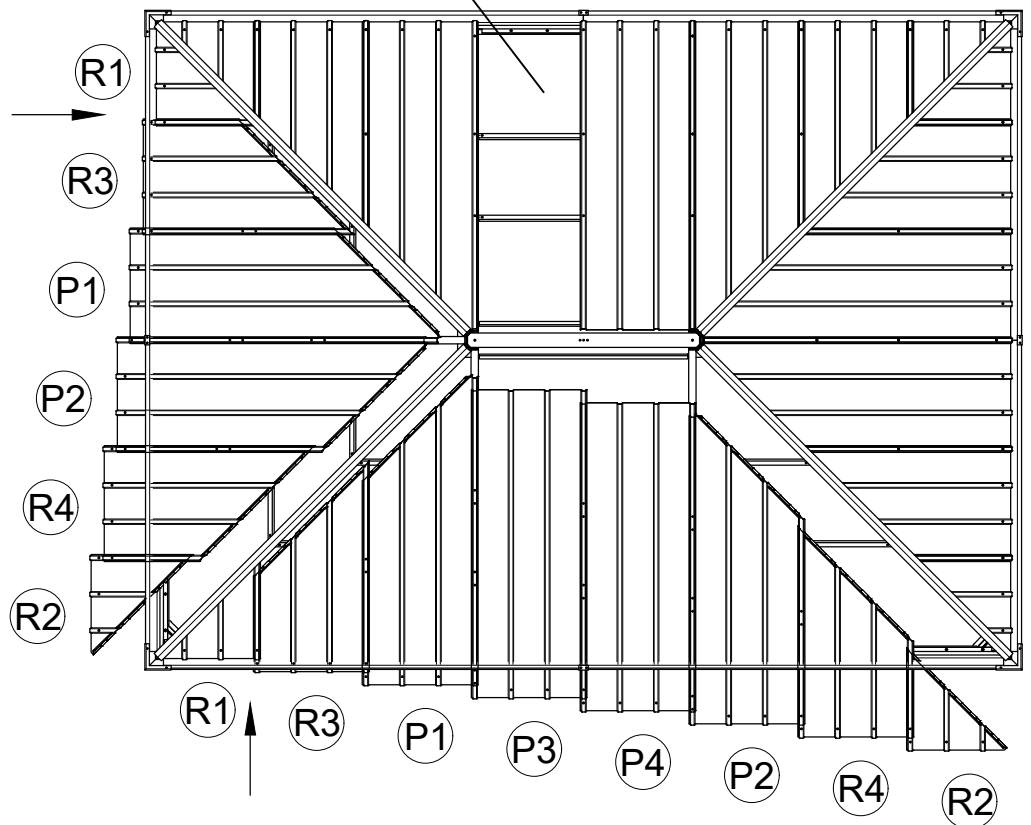
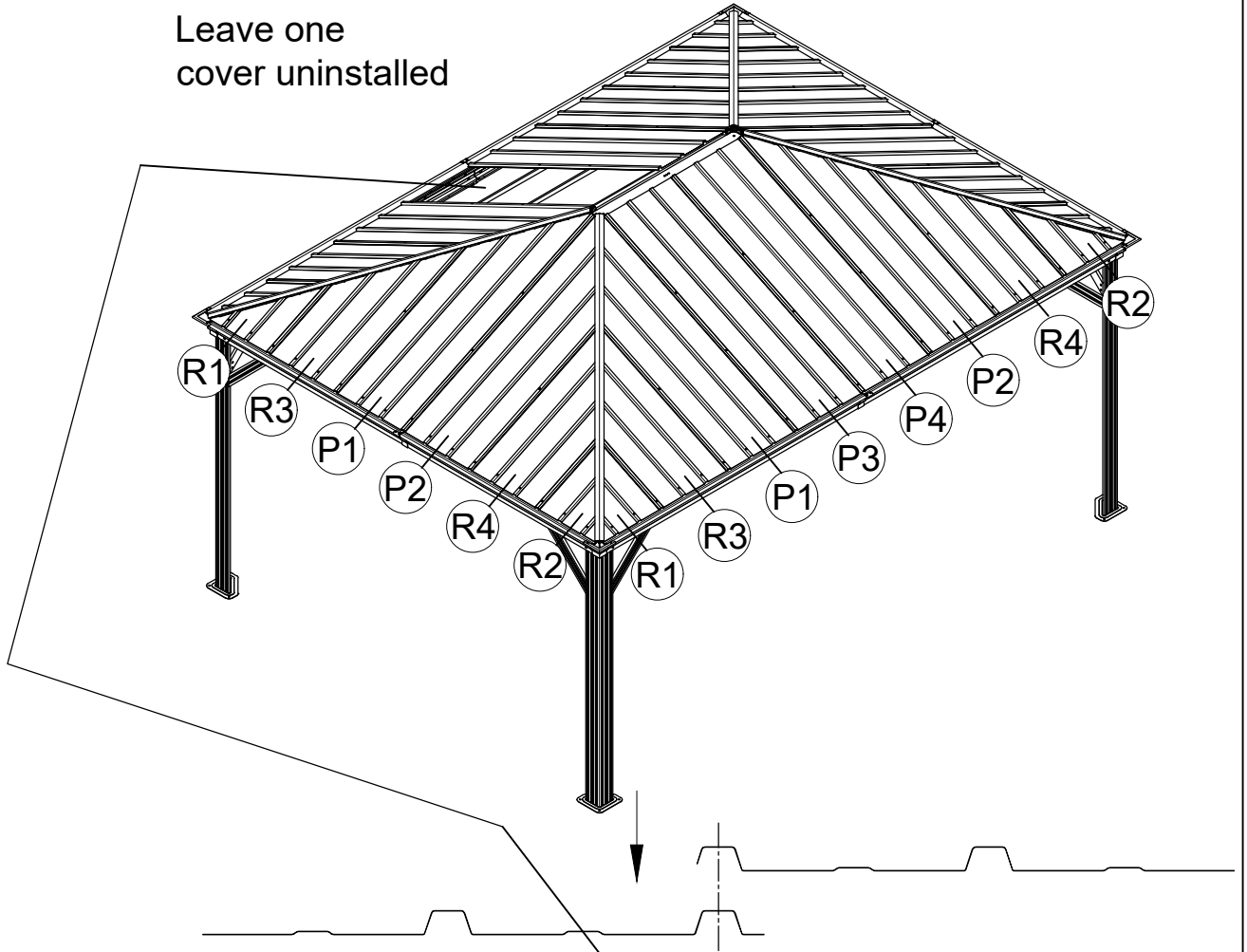


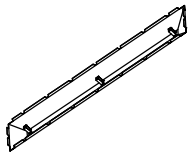
(Z1) 4x





Leave one  
cover unstalled





(M3b) 1x



M6x15

(1) 5x



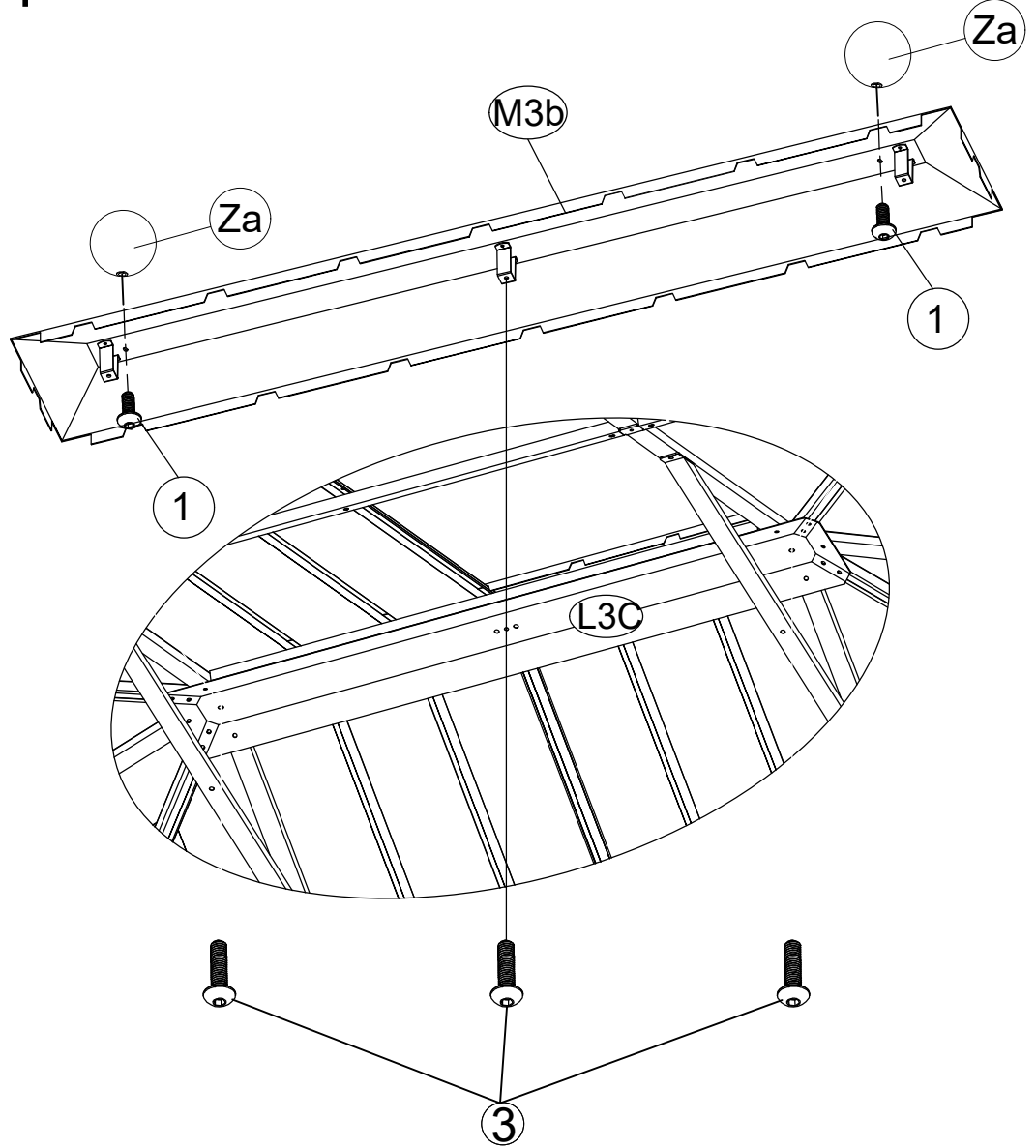
M6x25

(3) 3x

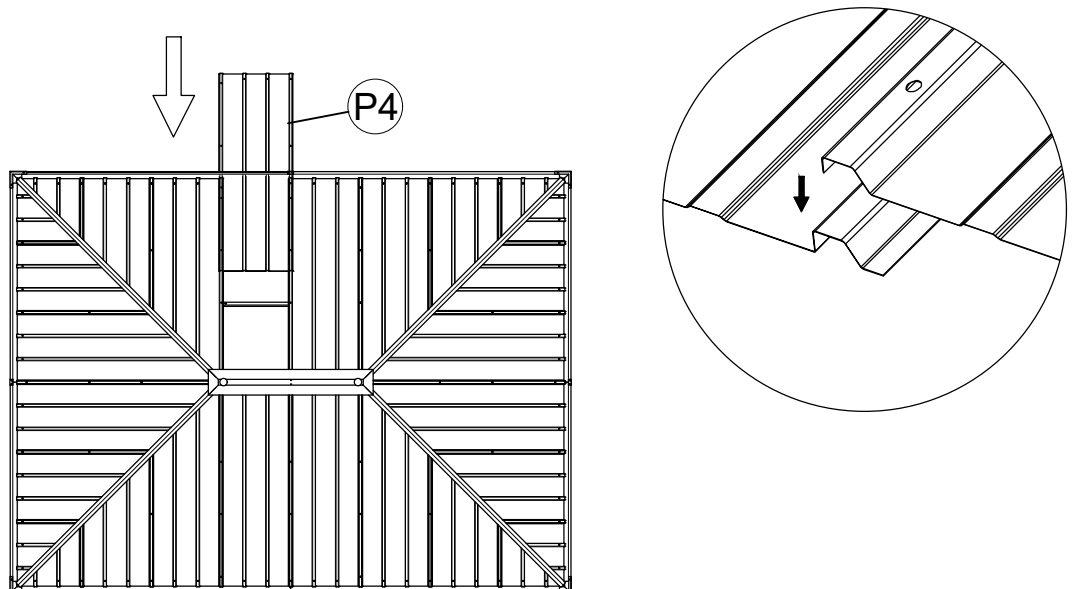


(Za) 2x

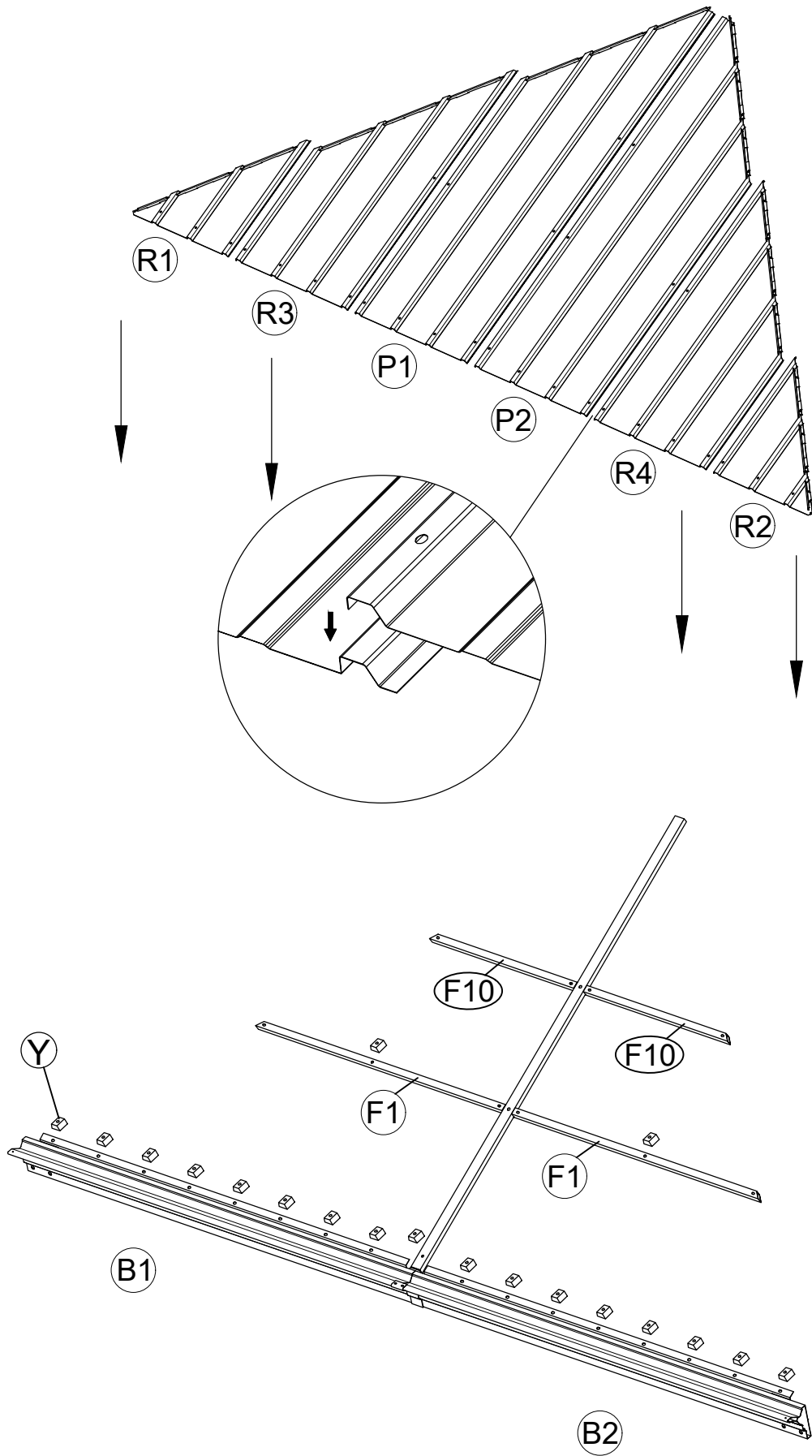
<14>



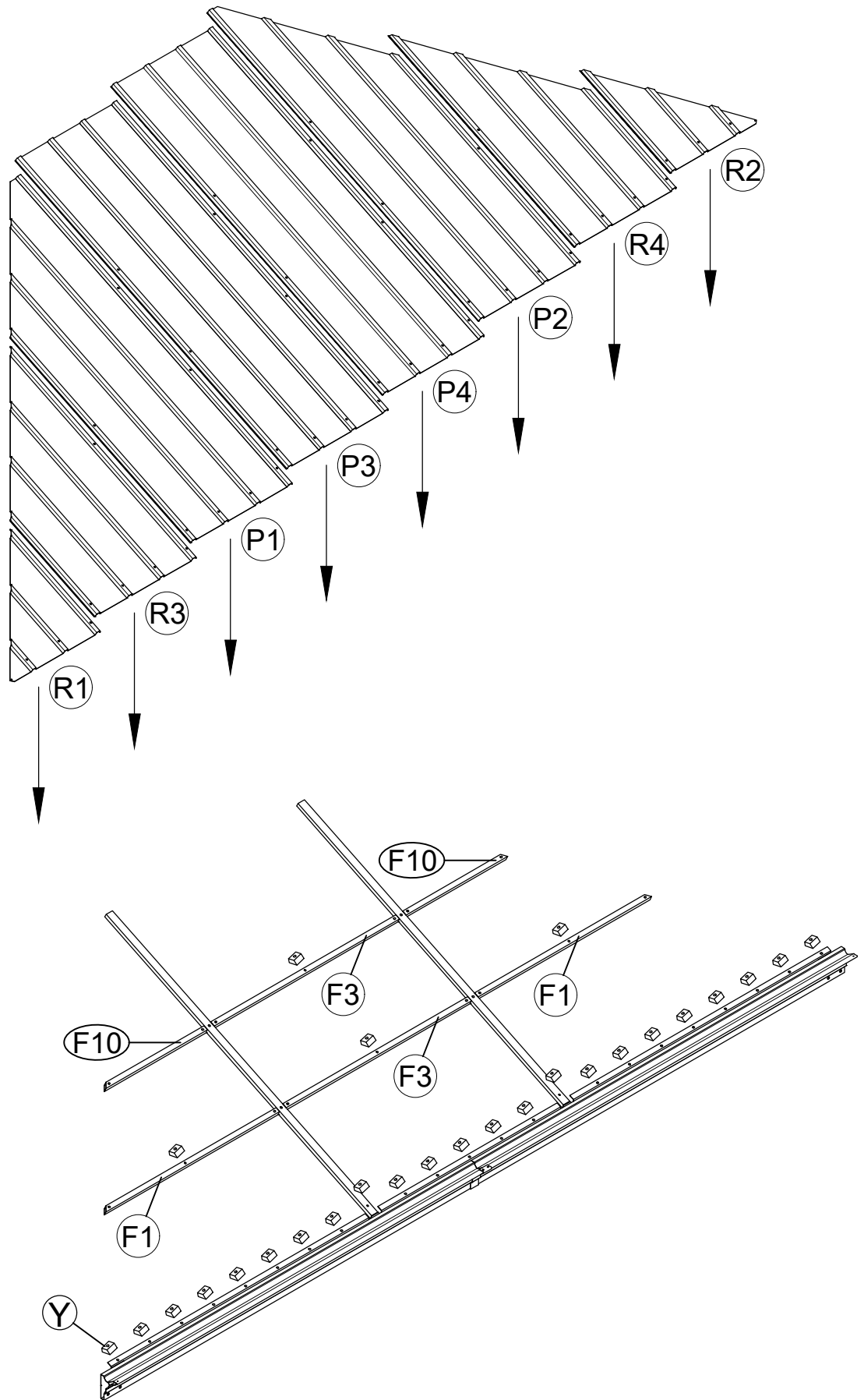
Do not tighten the three screws at first, leave room for the lid to move until "P4" is installed and then lock the screws



<15>



<16>



<17>



Y 92x



M6x23

2 74x



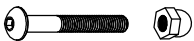
M6x25

3 12x



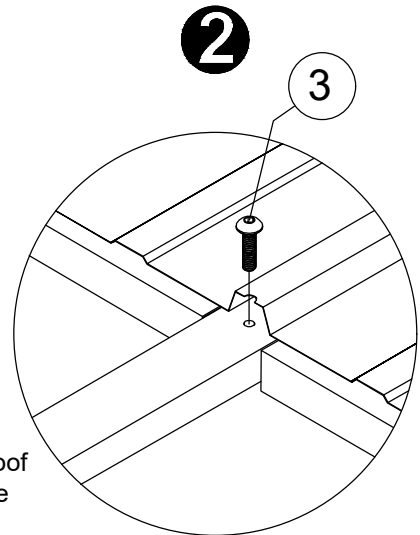
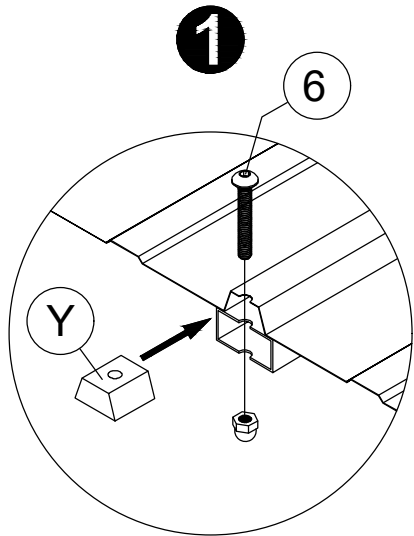
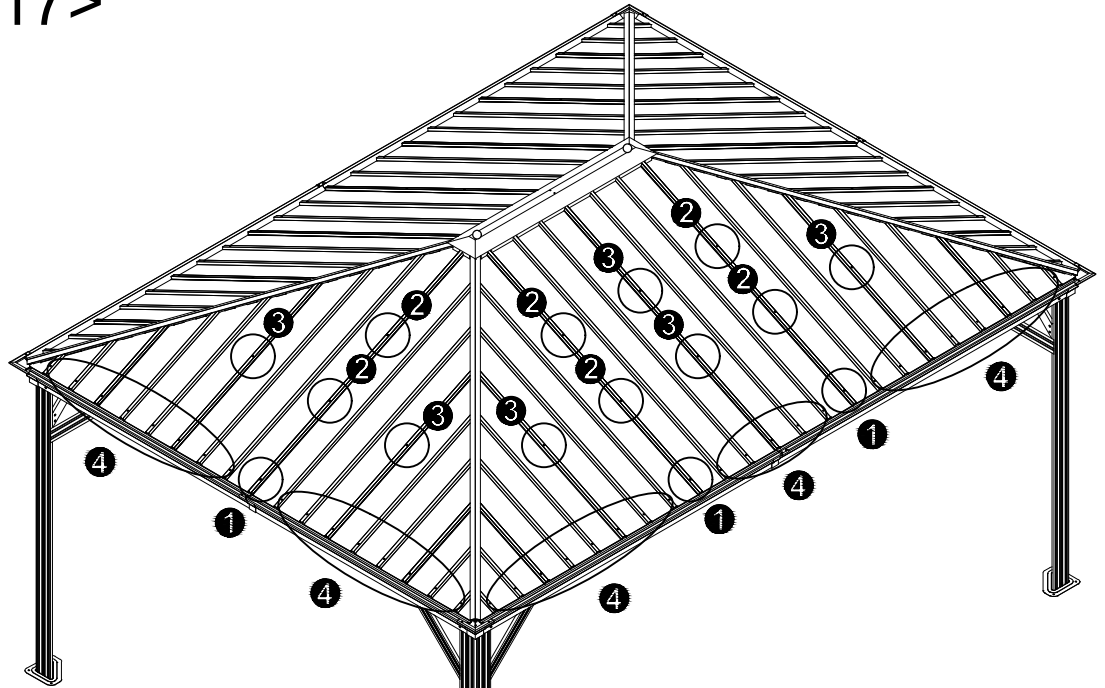
M6x42

6 6x

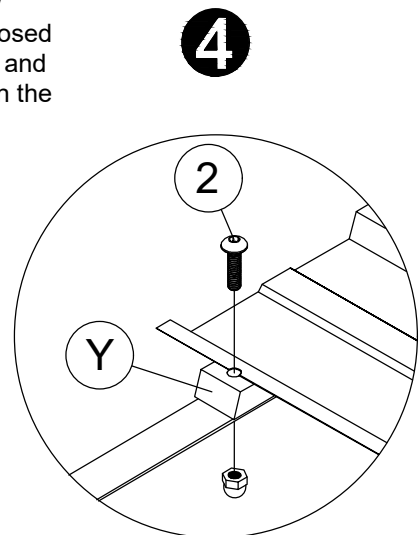
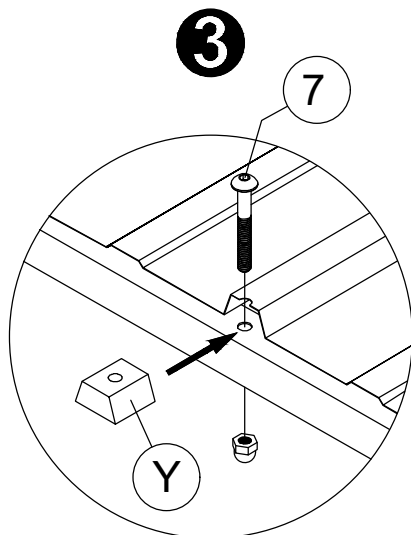


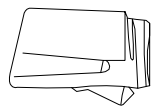
M6x47

7 12x



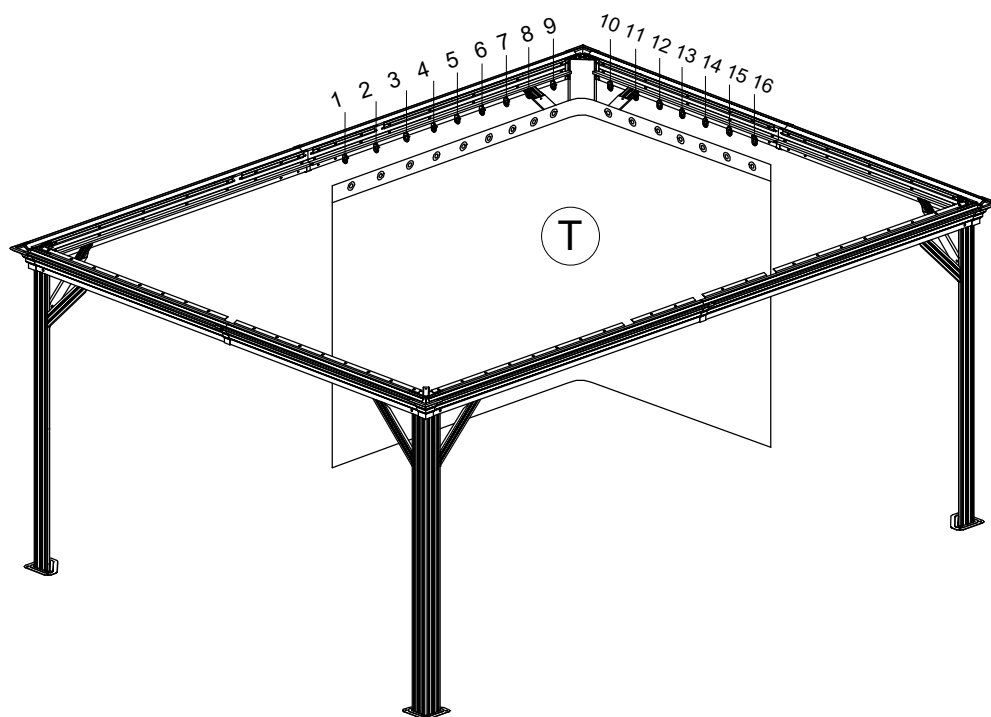
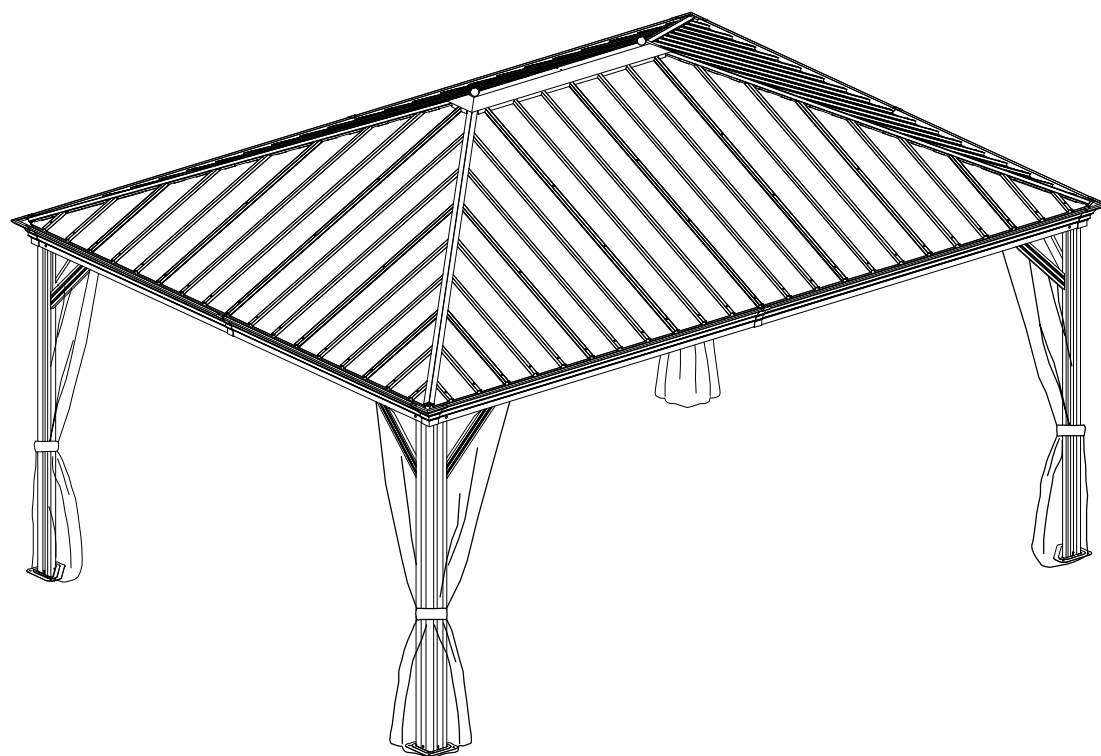
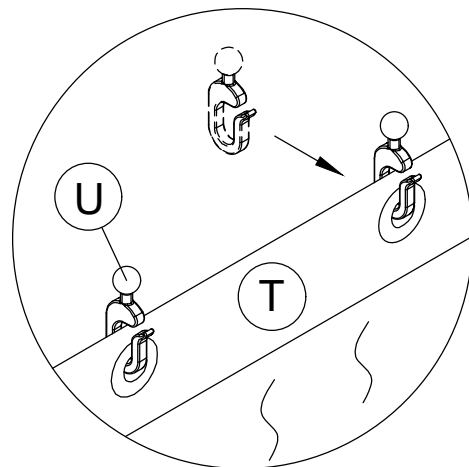
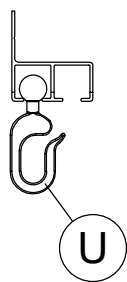
Note: When installing the roof top plates, if the roof plates are slightly uneven, please press the screws from the top of the plates until the bottom screw thread is exposed by 3 to 4mm, and then screw on the nut.

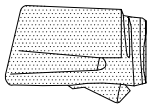




<18>

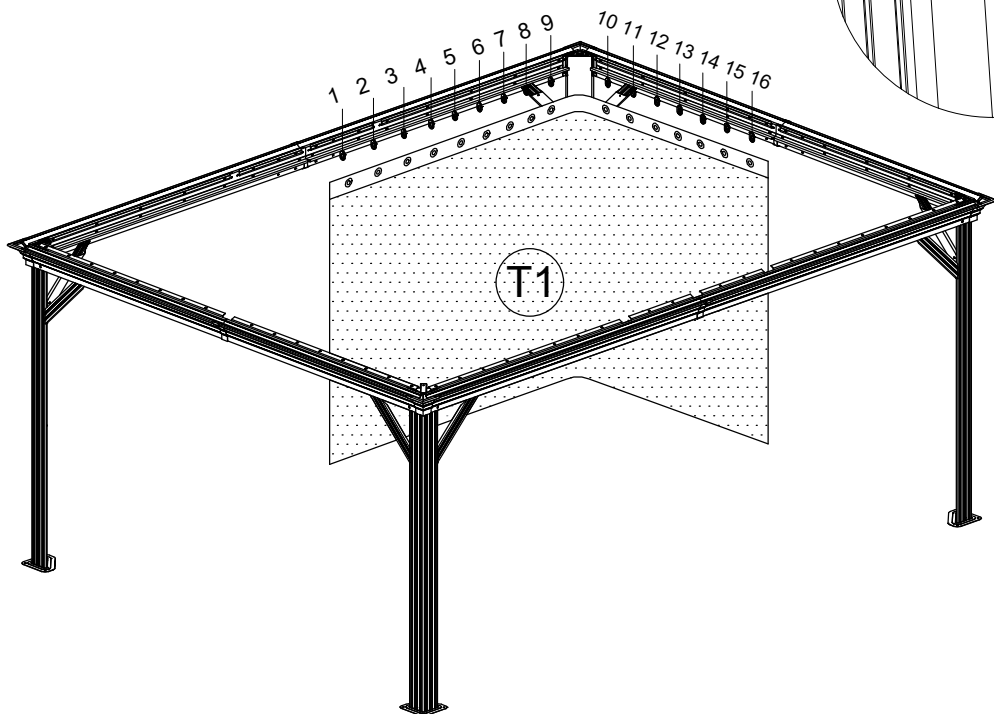
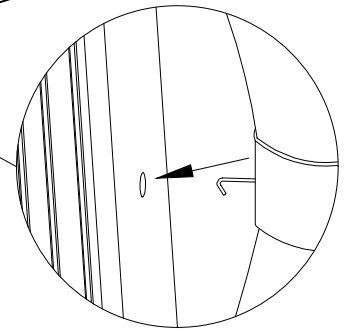
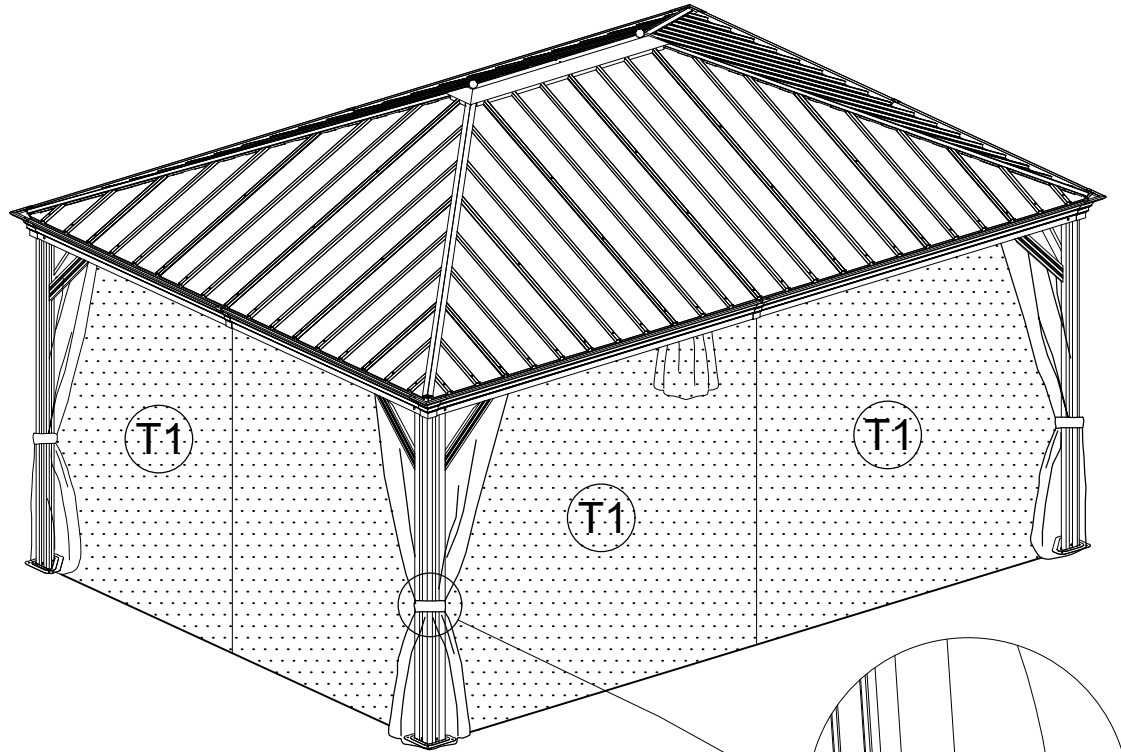
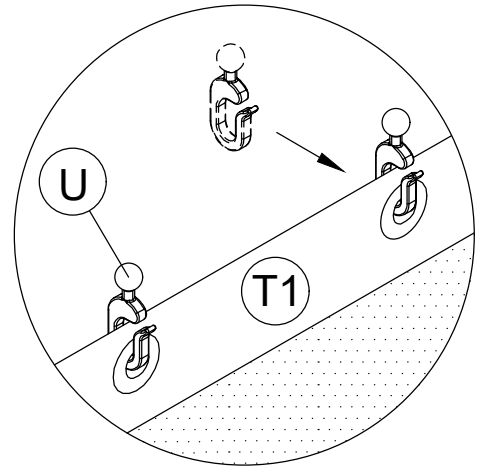
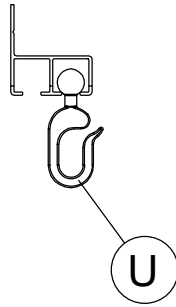
T 4x





<19>

T1 4x



Carton-1/6		Carton-2/6		Carton-4/6	
Part	Qty	Part	Qty	Part	Qty
A	4	D3	2	P1	4
B5	2	D4	2	P2	4
B6	2	D15	2	P3	2
E12	4	F1	8	P4	2
E13	2	F10	8		
E14	4				
C5	2				
C6	2				
Z	64				
Z1	8	Carton-3/6			
Y	92	Part	Qty		
U	128	L3C	1		
J	4	M3	1	Carton-5/6	
K	4	F3	4	Part	Qty
K1	4	F5	2	R1	4
W	8	H	4	R2	4
W1	12	H1	4	R3	4
V	4	P	4	R4	4
Za	2	T	4		
		T1	4		
		1.2.3.4.5.6.7.8. 9.10.11.12.13.14	1		
Carton-2/6					
Part	Qty				
B1	2				
B2	2				
C1	2				
C2	2				
D1	2				
D2	2				