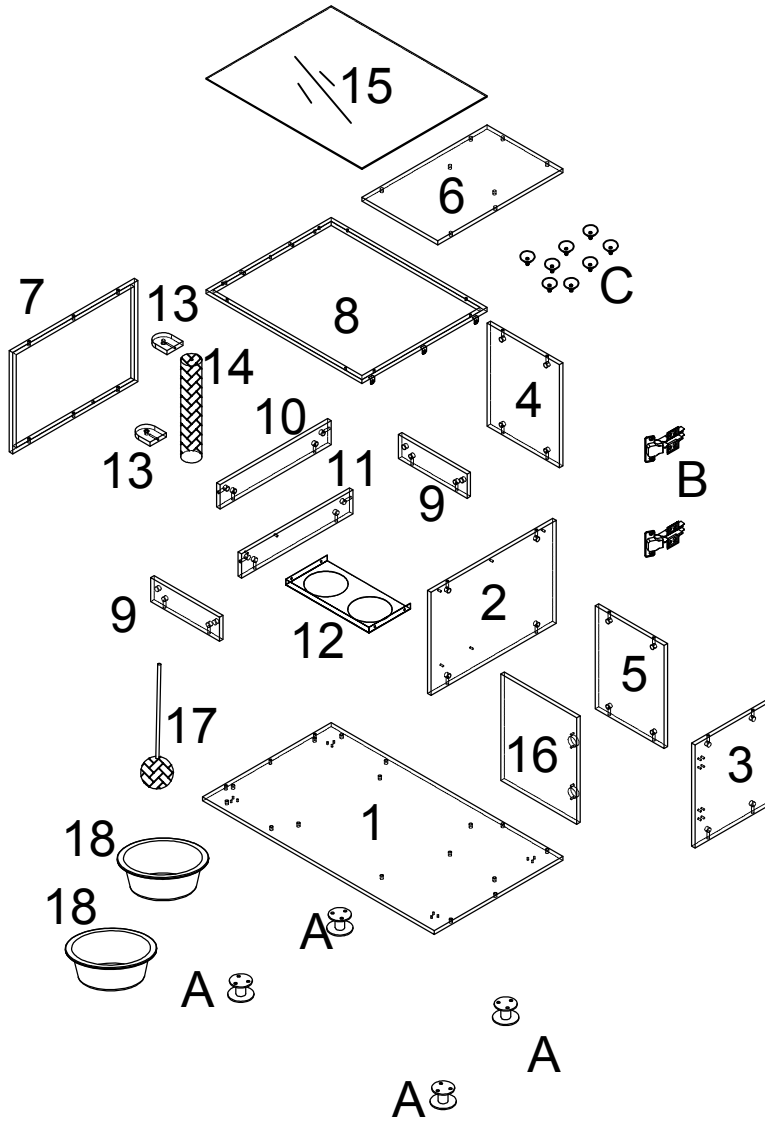


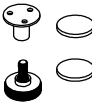
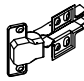










# UESR'S MANUAL

ZHCT107

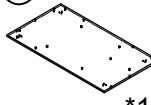
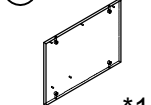
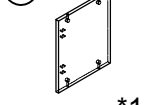
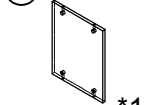
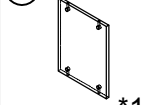
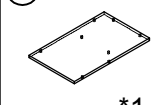
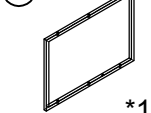
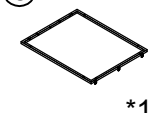
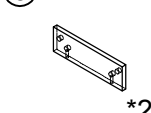
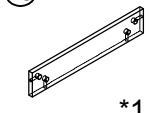
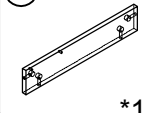
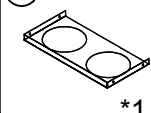
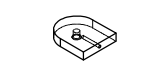
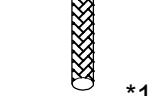
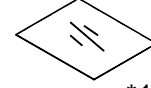
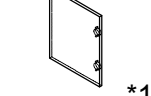


# Explosion view



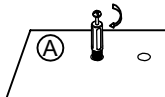
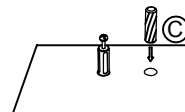
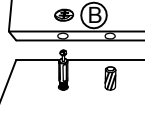
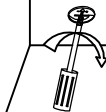
# Hardware List

<p><b>A</b></p>  <p>(4pcs)</p>	<p><b>B</b></p>  <p>(2pcs)</p>	<p><b>C</b></p>  <p>(8pcs)</p>	<p><b>D</b></p>  <p>M4*14 (31pcs)</p>	<p><b>E</b></p>  <p>M6*40 (28pcs)</p>	<p><b>F</b></p>  <p>(28pcs)</p>
<p><b>G</b></p>  <p>M6*40 (3pcs)</p>	<p><b>H</b></p>  <p>M6 (3pcs)</p>	<p><b>J</b></p>  <p>M6*20 (3pcs)</p>	<p><b>K</b></p>  <p>M8*45 (2pcs)</p>	<p><b>L</b></p>  <p>M5*50 (2pcs)</p>	<p><b>M</b></p>  <p>M4 (1pcs)</p>

# Panel List

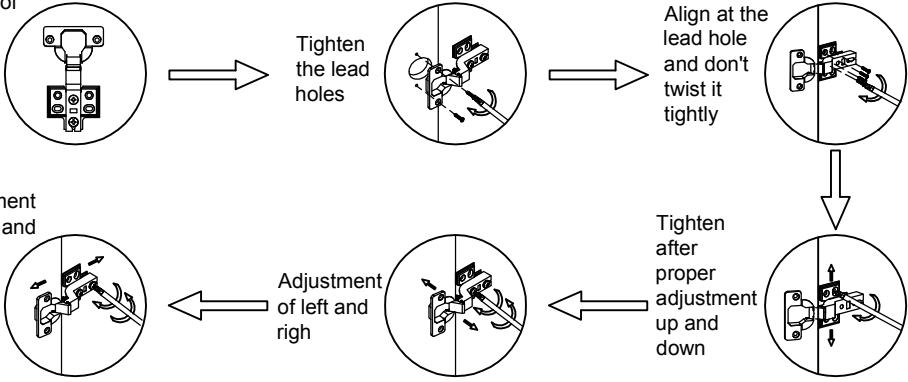
<p>①</p>  <p>*1</p>	<p>②</p>  <p>*1</p>	<p>③</p>  <p>*1</p>	<p>④</p>  <p>*1</p>	<p>⑤</p>  <p>*1</p>	<p>⑥</p>  <p>*1</p>
<p>⑦</p>  <p>*1</p>	<p>⑧</p>  <p>*1</p>	<p>⑨</p>  <p>*2</p>	<p>⑩</p>  <p>*1</p>	<p>⑪</p>  <p>*1</p>	<p>⑫</p>  <p>*1</p>
<p>⑬</p>  <p>*2</p>	<p>⑭</p>  <p>*1</p>	<p>⑮</p>  <p>*1</p>	<p>⑯</p>  <p>*1</p>	<p>⑰</p>  <p>*1</p>	<p>⑱</p>  <p>*2</p>

# Assembling the unit with camlocks and wood dowels.

			
<p>Gently screw cam bolt into the threaded anchor.</p>	<p>Tap one end of the wooden dowel gently into the hole.</p>	<p>Gently attach the dowel to the second panel and insert it into the hole.</p>	<p>Screw the camlock firmly into locked position.</p>

Installation method of hinge



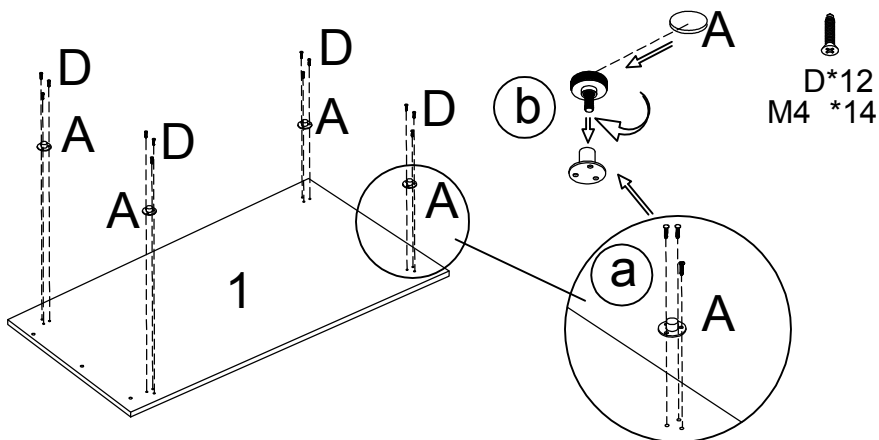
Adjustment of front and back

Adjustment of left and right

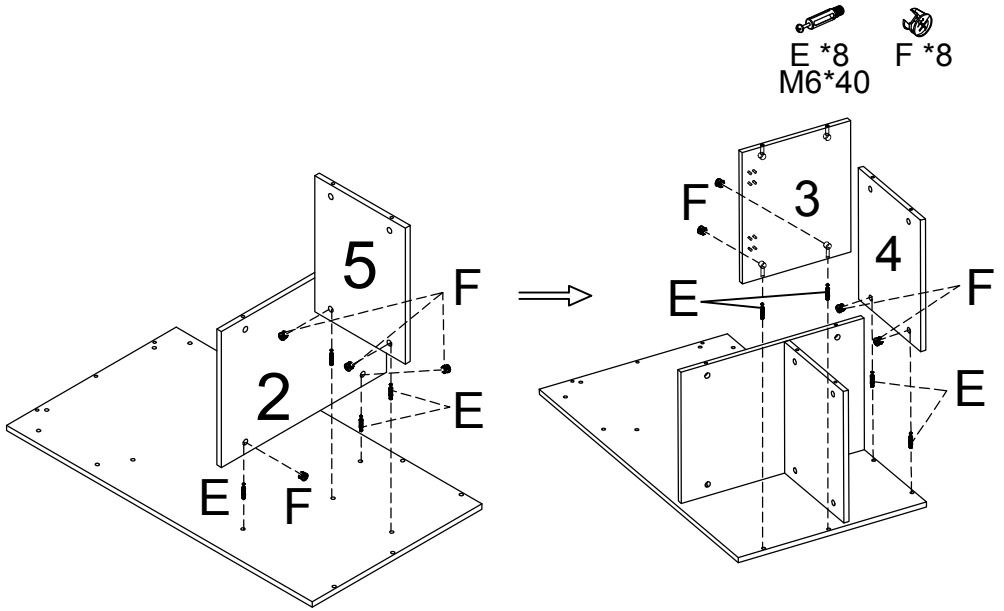
Tighten after proper adjustment up and down

## Assembly instructions

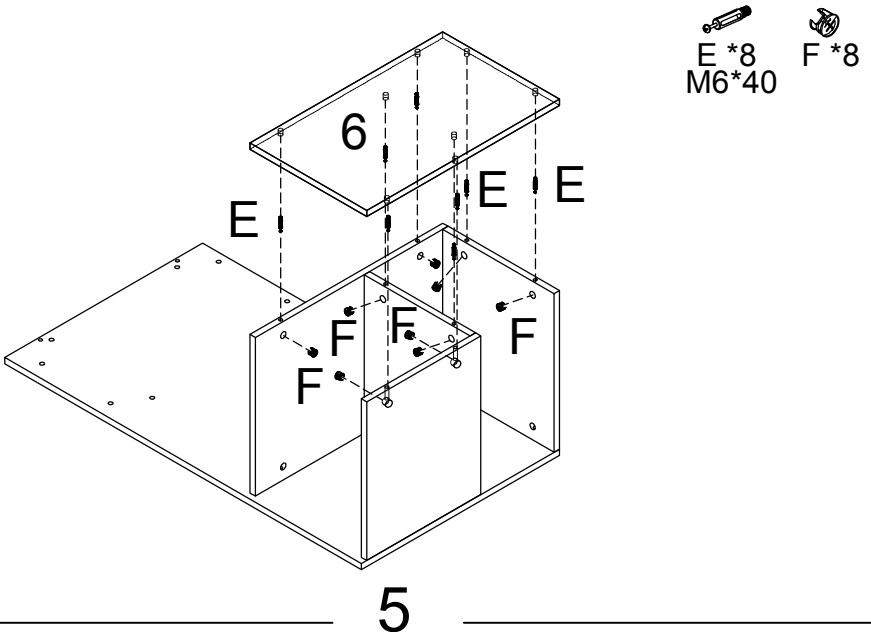
### Step 1




# Step 2




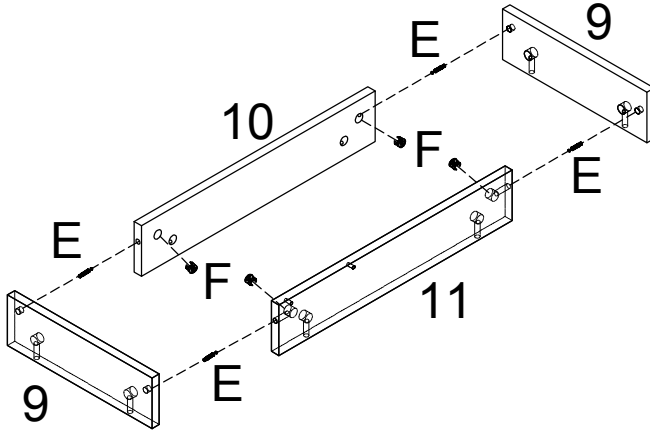
# Step 3




# Step 4


 E \* 4  
M6\*40

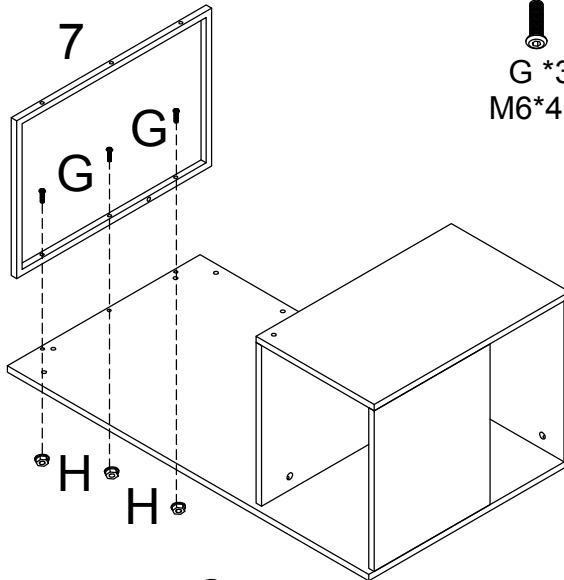
 F \* 4




# Step 5


 G \* 3  
M6\*40

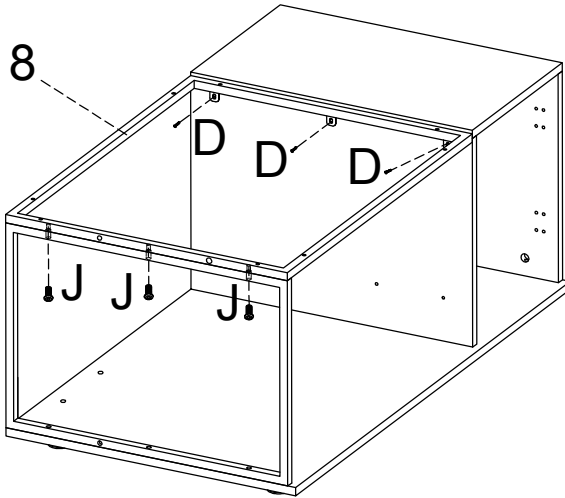
 H \* 3  
M6




# Step 6


 D\*3  
M4 \*14

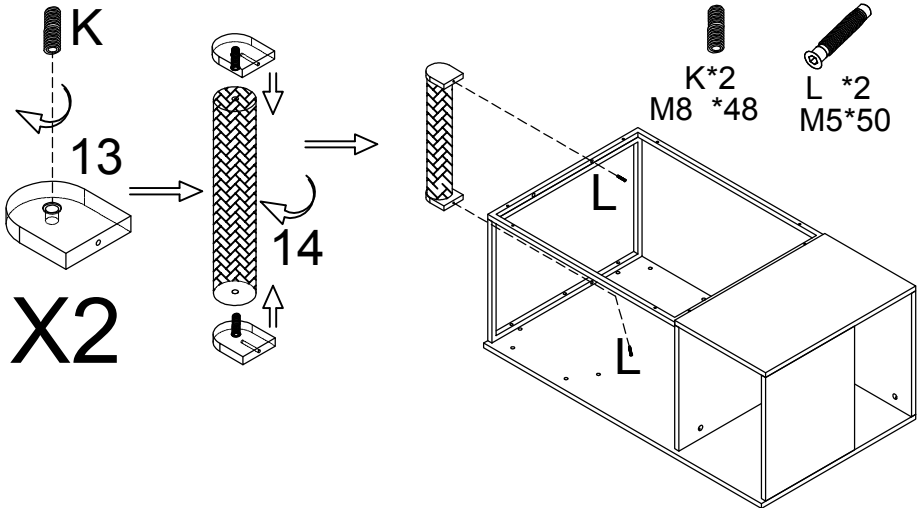
 J\*3  
M6\*20



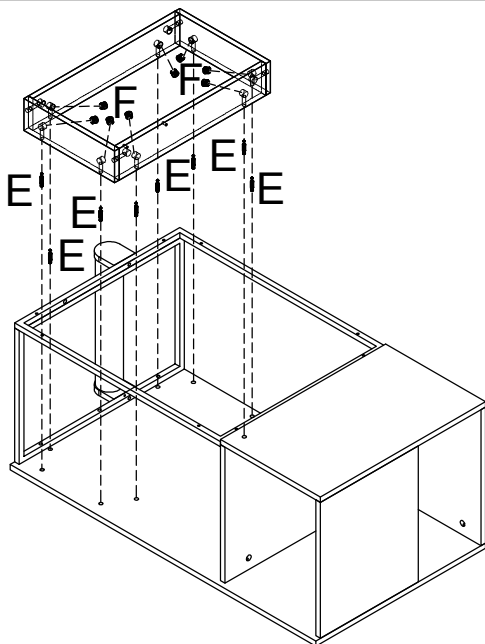
# Step 7

 K\*2  
M8 \*48

 L \*2  
M5\*50



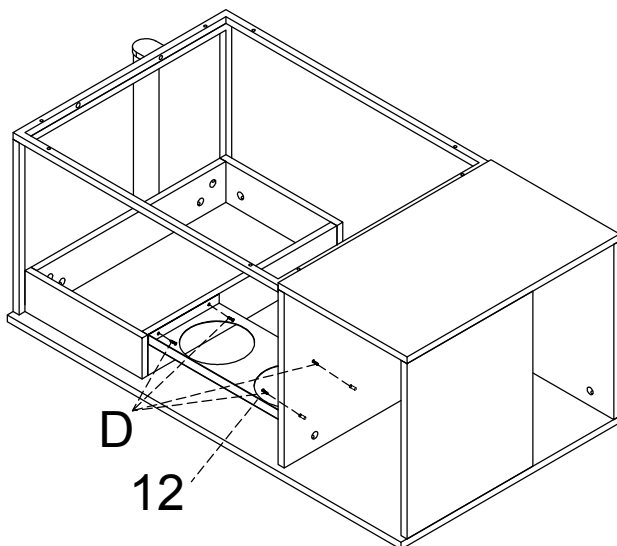
# Step 8



  
E\*8  
M6\*40

  
F\*8

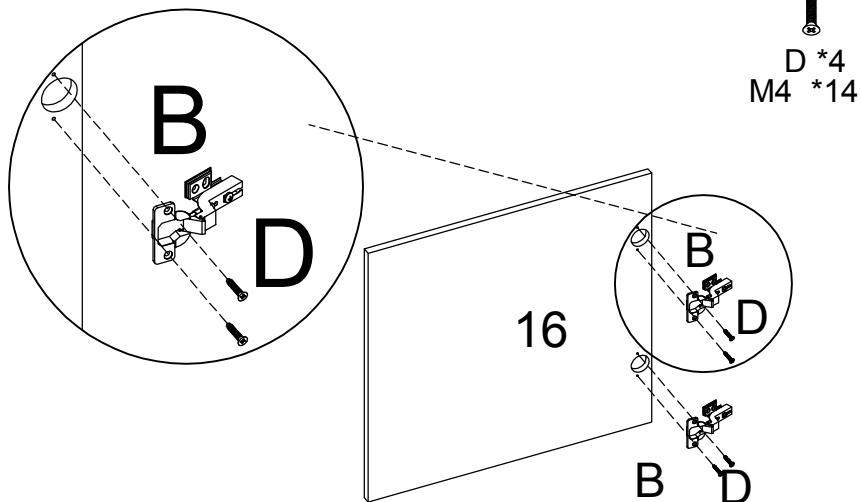
# Step 9



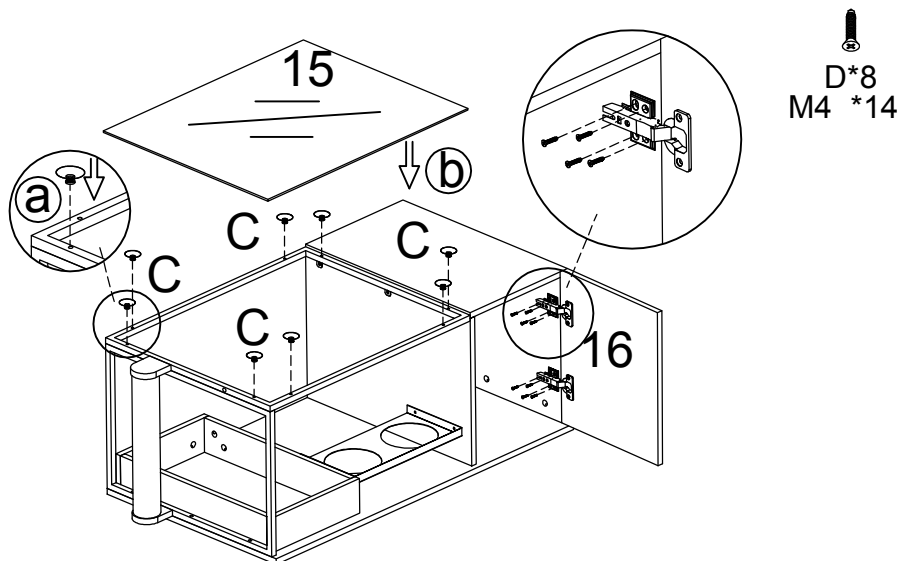
  
D\*4  
M4 \*14



# Step 10



# Step 11



# Step 12

