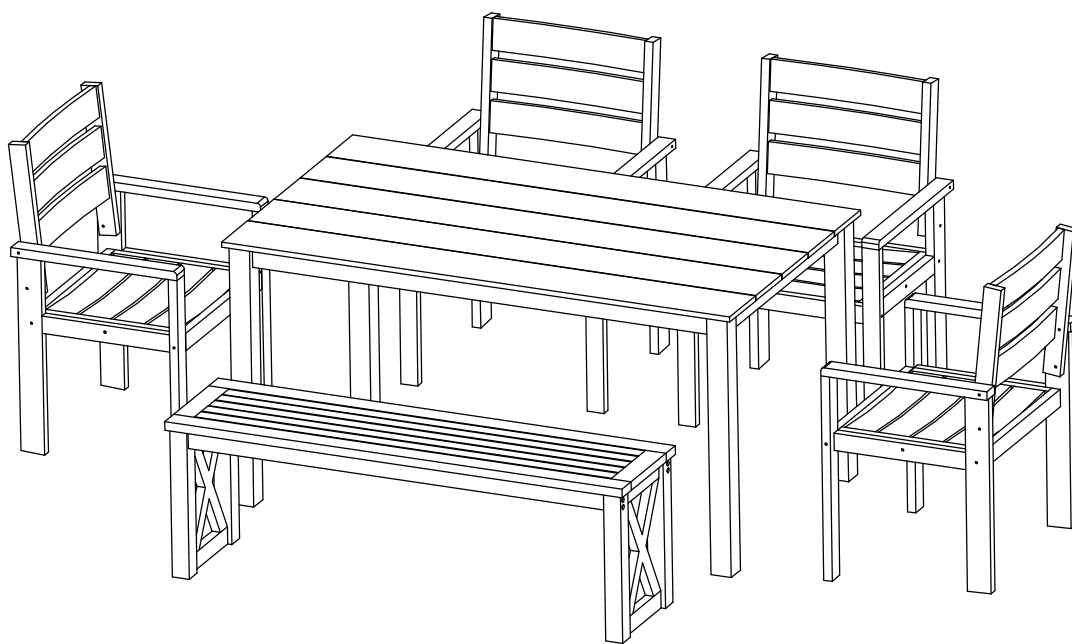


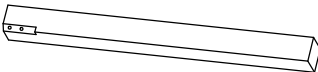
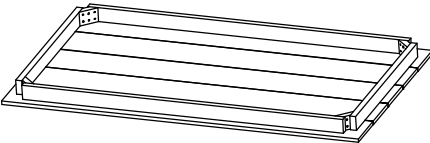
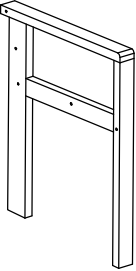
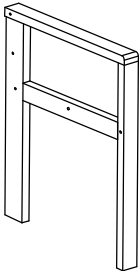
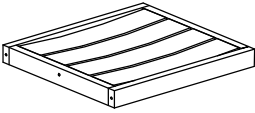
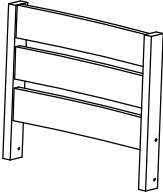
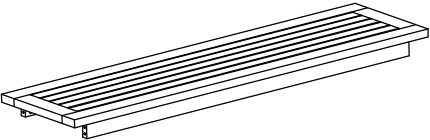
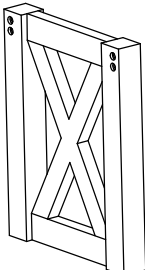
# Assembling Instruction


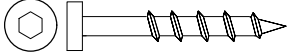
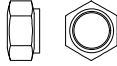







ITEM#: XWPS-221MS



# SKU: XWPS-221MS

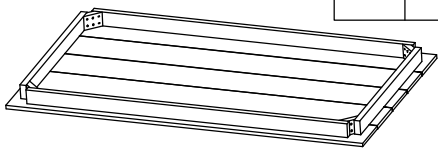
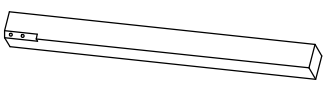
- ATTENTION:
1. Please check the manual carefully and make sure you have received all the parts.
  2. If there is any missing, please let us know the letter of the parts you need.
  3. If there is any damage, please send clear photos to us, we will check and offer you best solution soon.

 <p>AA X4</p>	 <p>BB X1</p>	 <p>CC X4</p>
 <p>DD X4</p>	 <p>EE X4</p>	 <p>FF X4</p>
 <p>GG X1</p>	 <p>HH X2</p>	

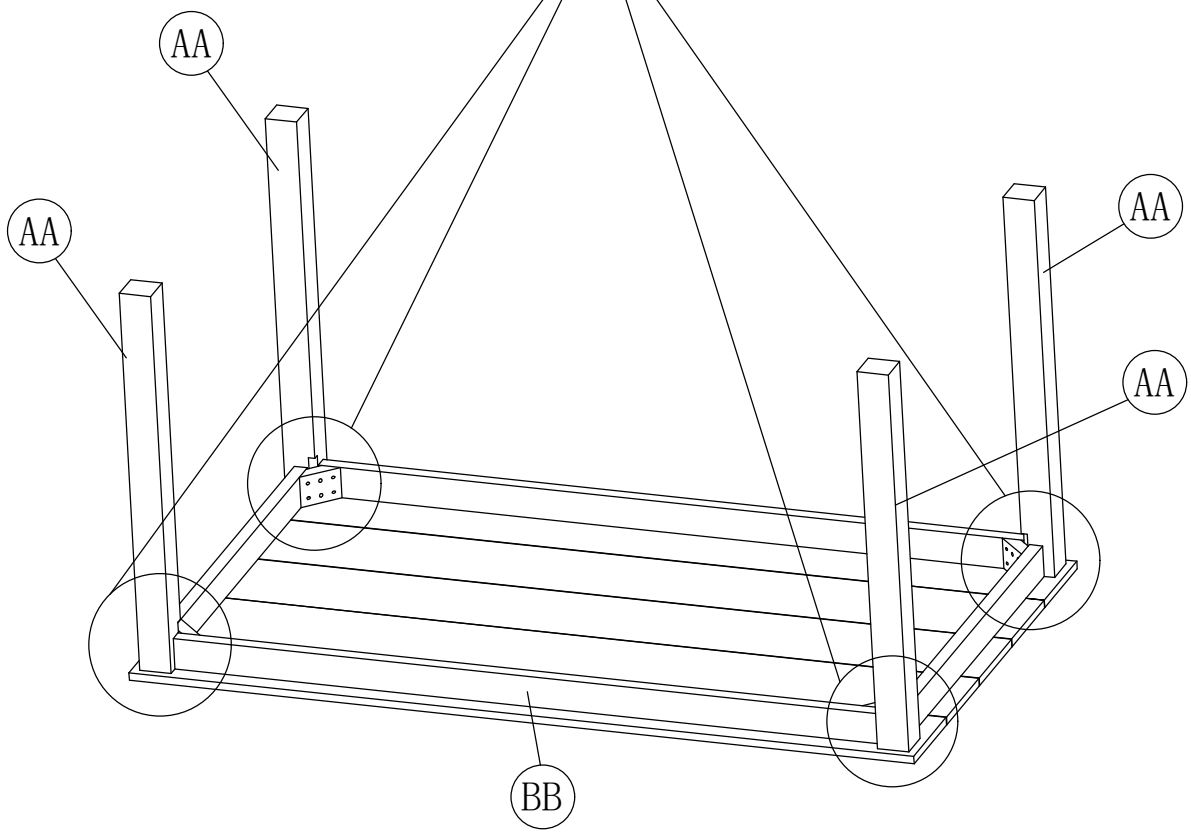
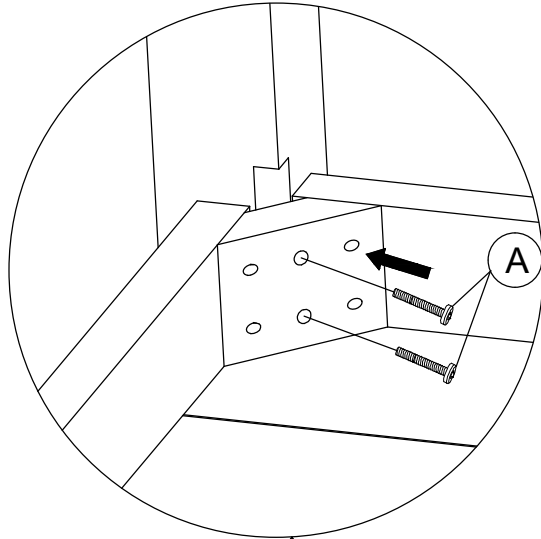
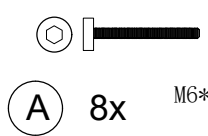
<table border="1"> <tr> <td>A</td> <td>x8</td> </tr> <tr> <td colspan="2">M6*50mm</td> </tr> </table> 	A	x8	M6*50mm		<table border="1"> <tr> <td>B</td> <td>x16+1</td> </tr> <tr> <td colspan="2">M6*55mm</td> </tr> </table> 	B	x16+1	M6*55mm		<table border="1"> <tr> <td>C</td> <td>x24+1</td> </tr> <tr> <td colspan="2">M6</td> </tr> </table> 	C	x24+1	M6	
A	x8													
M6*50mm														
B	x16+1													
M6*55mm														
C	x24+1													
M6														
<table border="1"> <tr> <td>D</td> <td>x16+1</td> </tr> <tr> <td colspan="2">M6*55mm</td> </tr> </table> 	D	x16+1	M6*55mm		<table border="1"> <tr> <td>E</td> <td>x24+1</td> </tr> <tr> <td colspan="2">ø16*1.4mm</td> </tr> </table> 	E	x24+1	ø16*1.4mm		<table border="1"> <tr> <td>F</td> <td>x8</td> </tr> <tr> <td colspan="2">M6*80mm</td> </tr> </table> 	F	x8	M6*80mm	
D	x16+1													
M6*55mm														
E	x24+1													
ø16*1.4mm														
F	x8													
M6*80mm														
<table border="1"> <tr> <td>G</td> <td>x8</td> </tr> <tr> <td colspan="2">M6*65mm</td> </tr> </table> 	G	x8	M6*65mm		<table border="1"> <tr> <td>H</td> <td>x8</td> </tr> <tr> <td colspan="2">M6</td> </tr> </table> 	H	x8	M6		<table border="1"> <tr> <td>I</td> <td>x1</td> </tr> <tr> <td colspan="2">M6</td> </tr> </table> 	I	x1	M6	
G	x8													
M6*65mm														
H	x8													
M6														
I	x1													
M6														
<table border="1"> <tr> <td>J</td> <td>x1</td> </tr> <tr> <td colspan="2">M6</td> </tr> </table> 	J	x1	M6											
J	x1													
M6														

AA X4

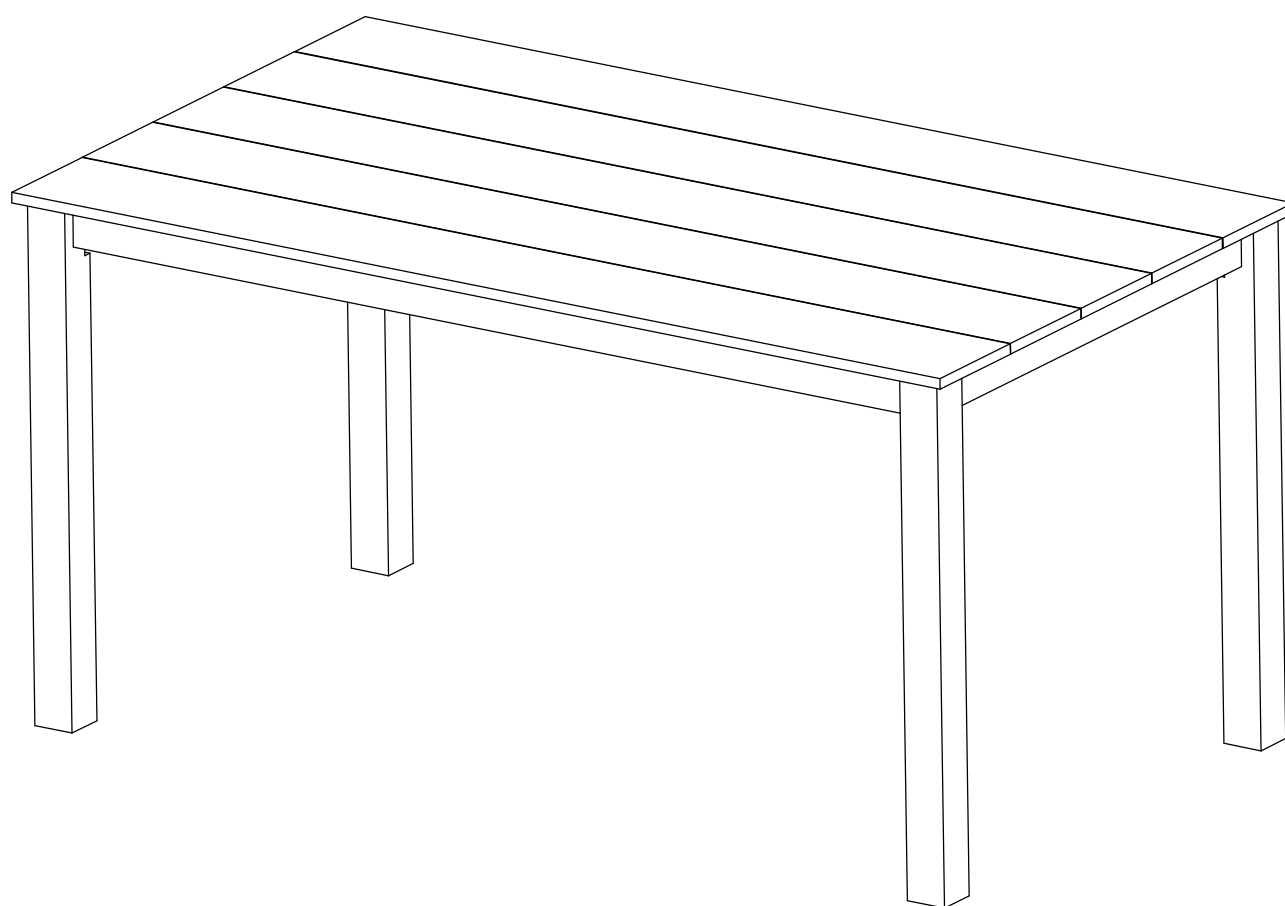
BB X1

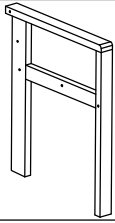


Step1

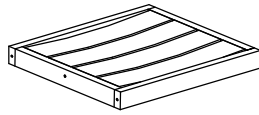



A 8x M6\*50mm



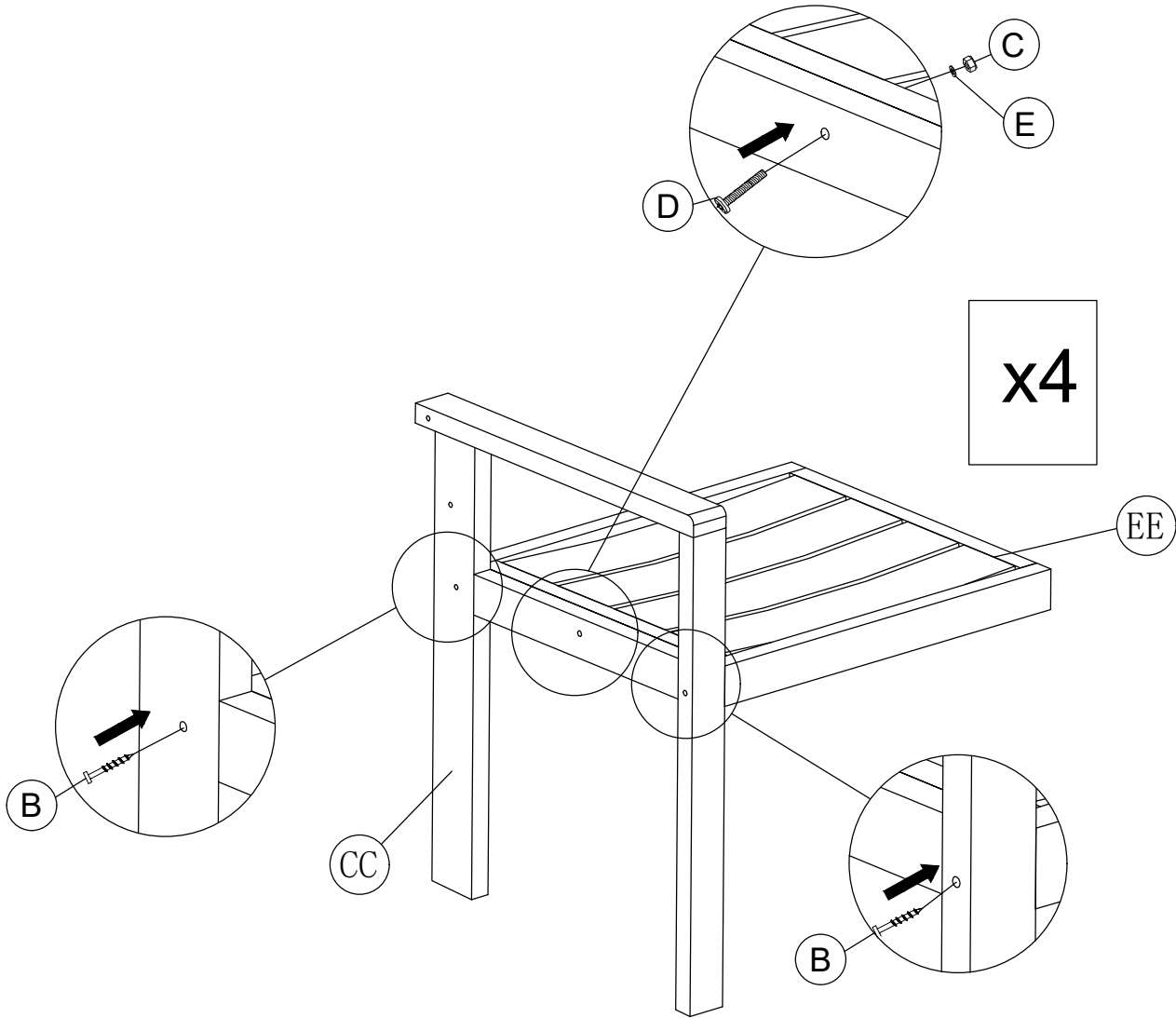


CC X4



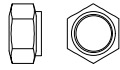
EE X4

Step3



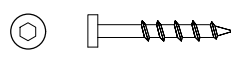
ø16\*1.4mm

E 4x



M6

C 4x



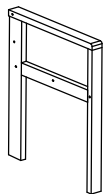
M6\*55mm

B 8x



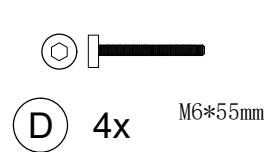
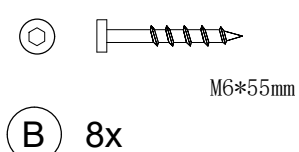
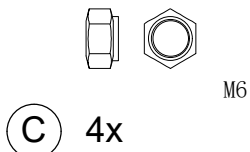
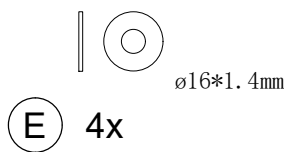
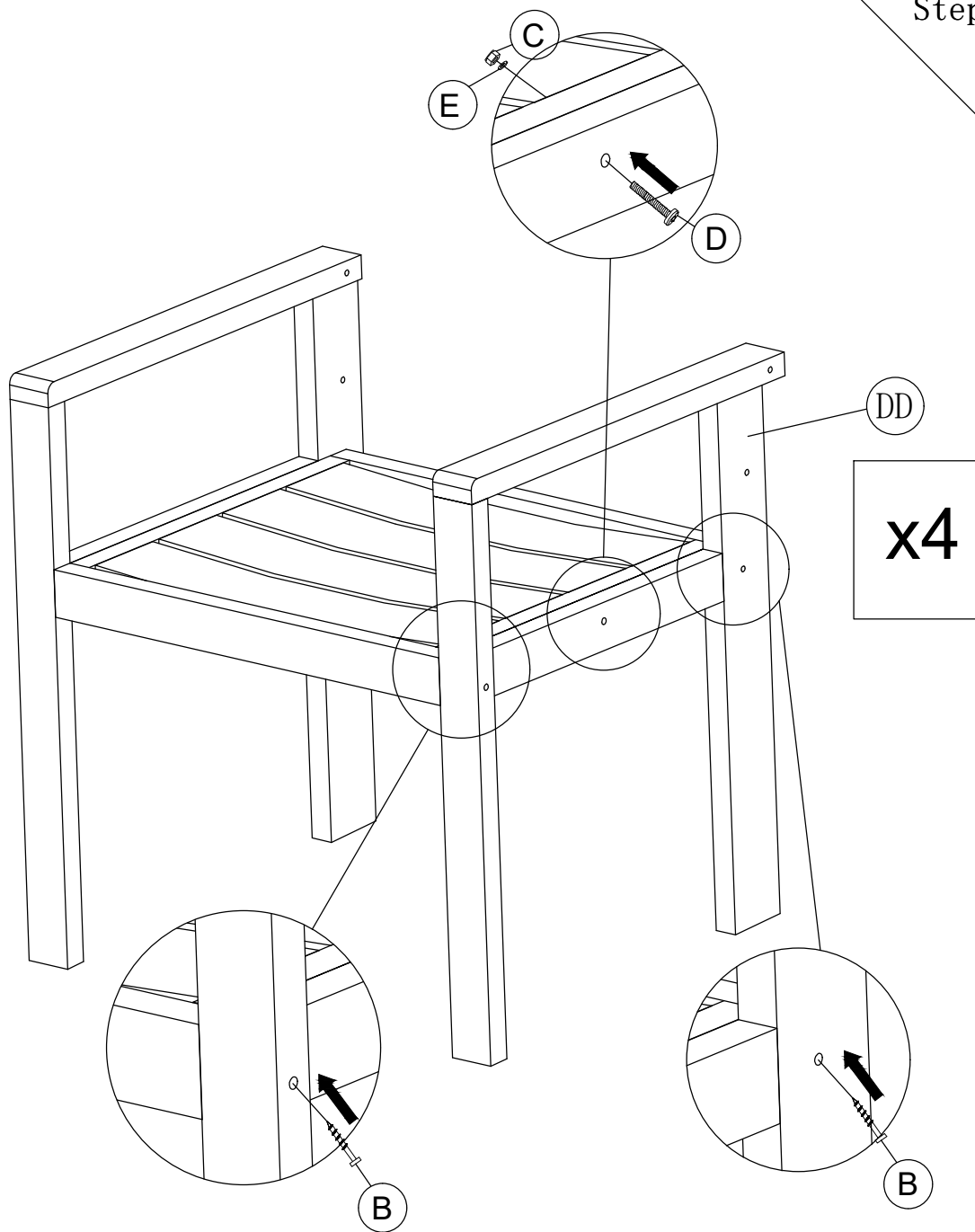
M6\*55mm

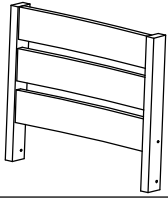
D 4x



DD X4

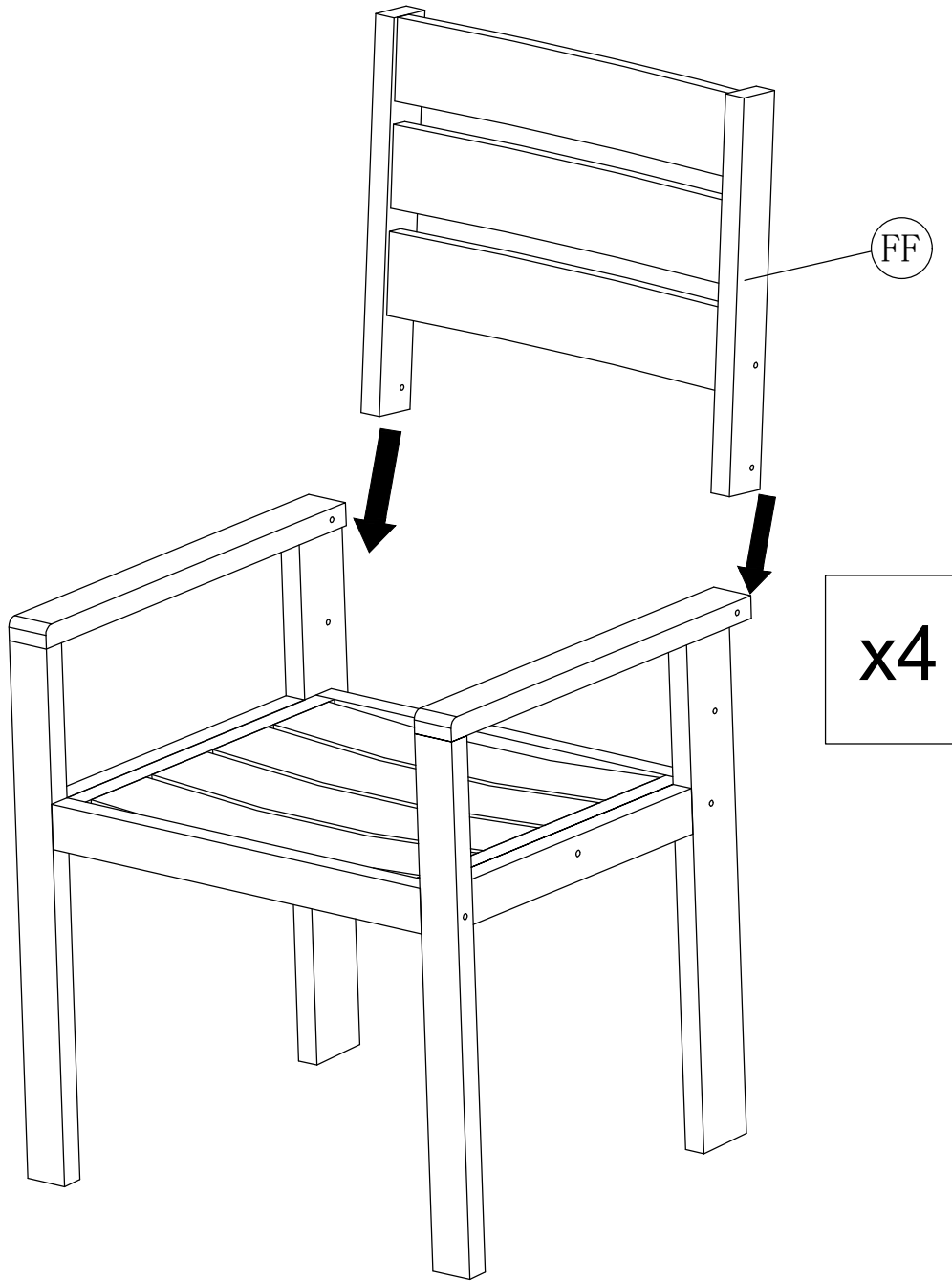
Step4



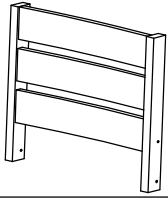


FF x4

Step5



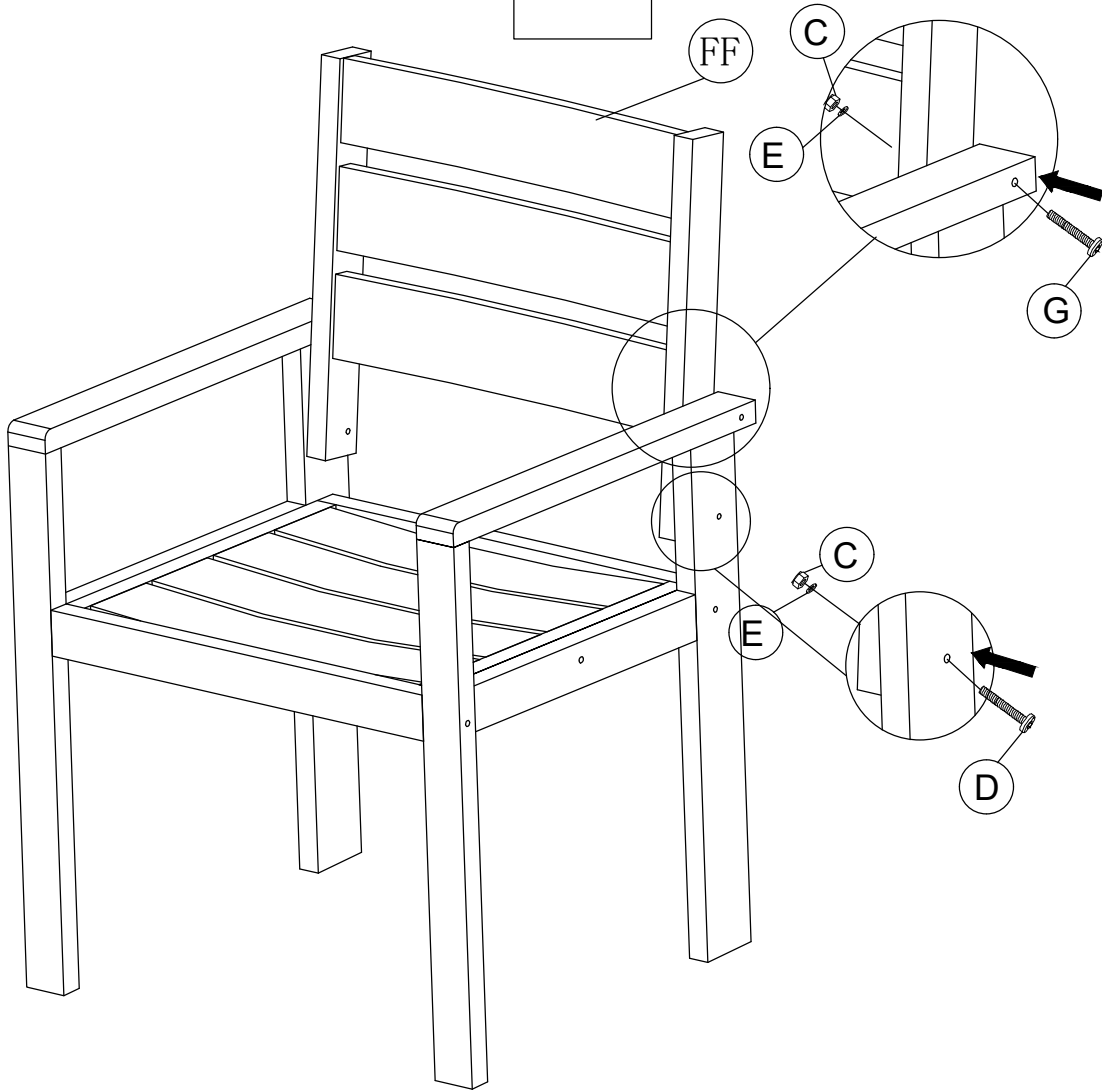




FF x4

Step6

x4

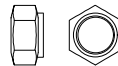


**G** 8x M6\*65mm



**E** 16x

ø16\*1.4mm

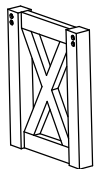


**C** 16x

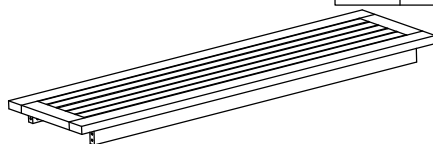
M6



**D** 8x M6\*55mm

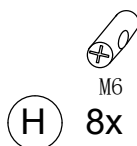
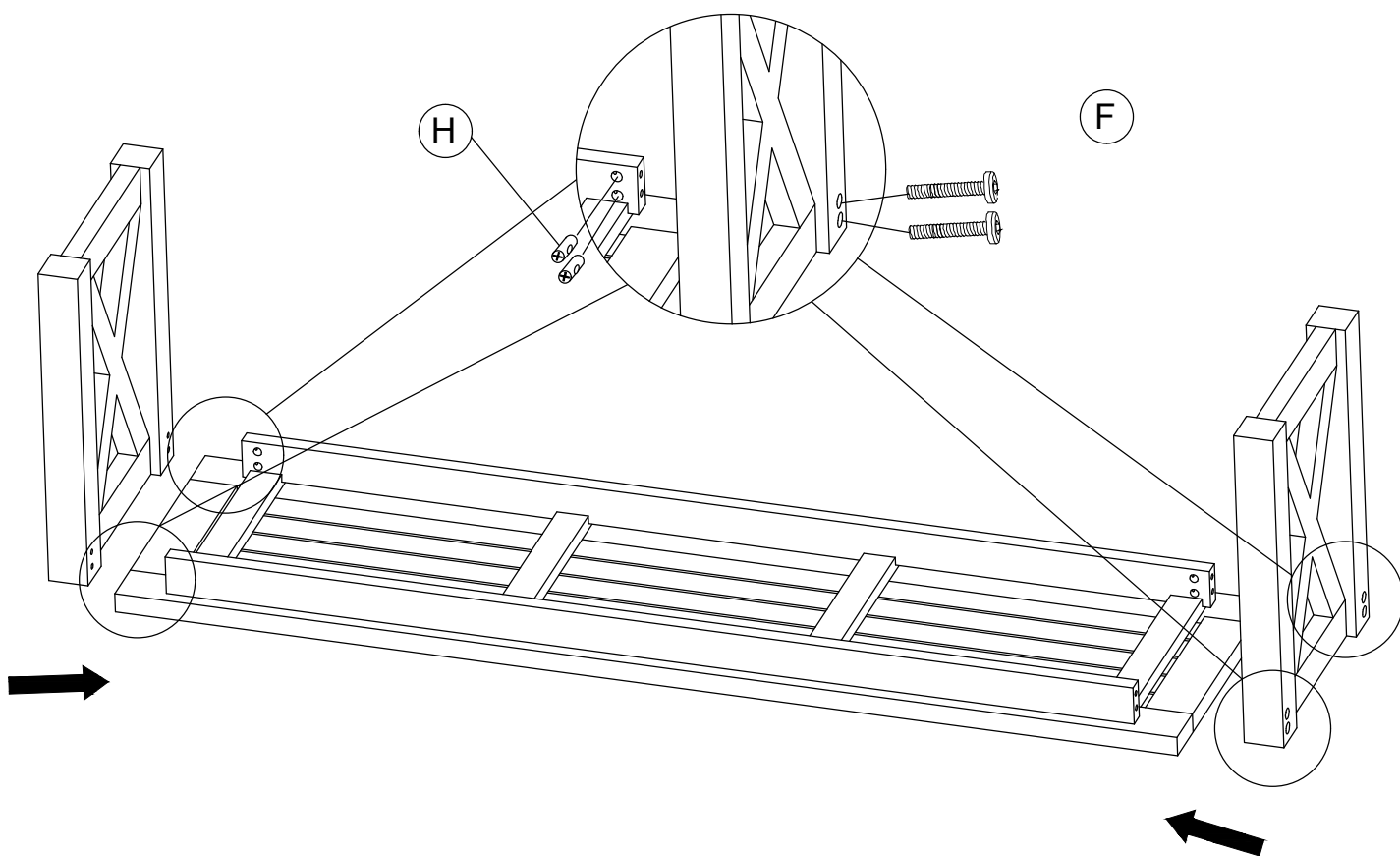


HH X2



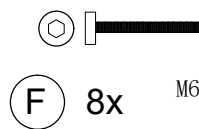
GG X1

Step7



M6

8x



8x

M6\*80mm

