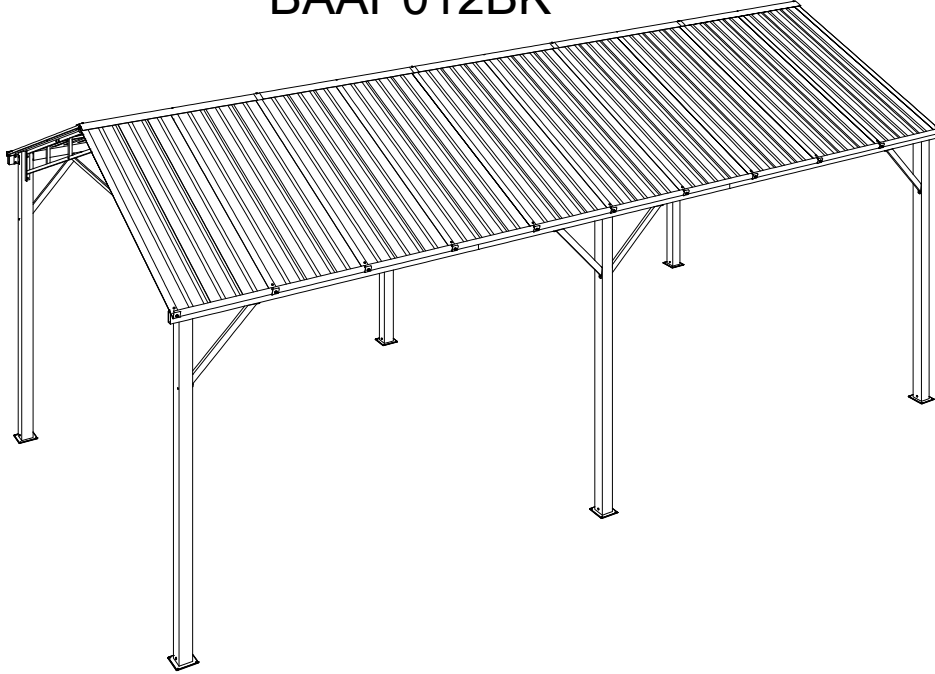


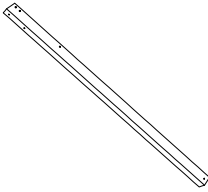





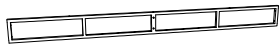

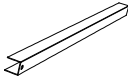
# ATTENTION:

1. Please fix all the screws first, do not lock off, after assembling is fully completed, lock all at once finally.
2. Please check the manual carefully and make sure you have received all the parts.
3. If there is any missing, please let us know the letter of the parts you need.
4. If there is any damage, please send clear photos to us, we will check and offer you best solution soon.

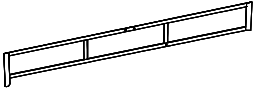
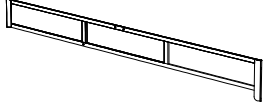


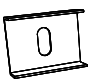
## XWG307 BAAP012BK

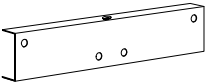
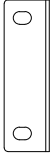


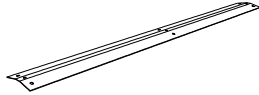

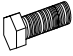
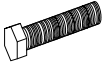






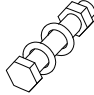
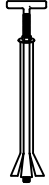


### Part List (BOX A)

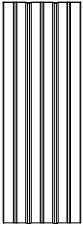
A 	B1 	B2 	B3 	C 
6PCS	2PCS	2PCS	2PCS	8PCS
D1 	D2 	I 	T 	
2PCS	1PCS	3PCS	20PCS	

### Part List (BOX B)

G1 	G2 	H1 	H2 	V 
3PCS	3PCS	4PCS	4PCS	22PCS

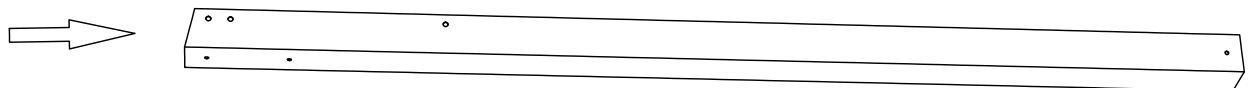
K	T2	J	E1	E2
				
4PCS	12PCS	6PCS	5PCS	5PCS
F				
				
22PCS				
#1	#2	#3	#4	#5
				
129PCS	58PCS	34PC	22PC	10PCS
#6	#7	#8	M	10
				
1PCS	1PCS	6PCS	6PCS	6PCS

Part List (BOX C)

GG				
				
20PCS				

TIP

The leg tube contains pipe fitting



# Assembly Step

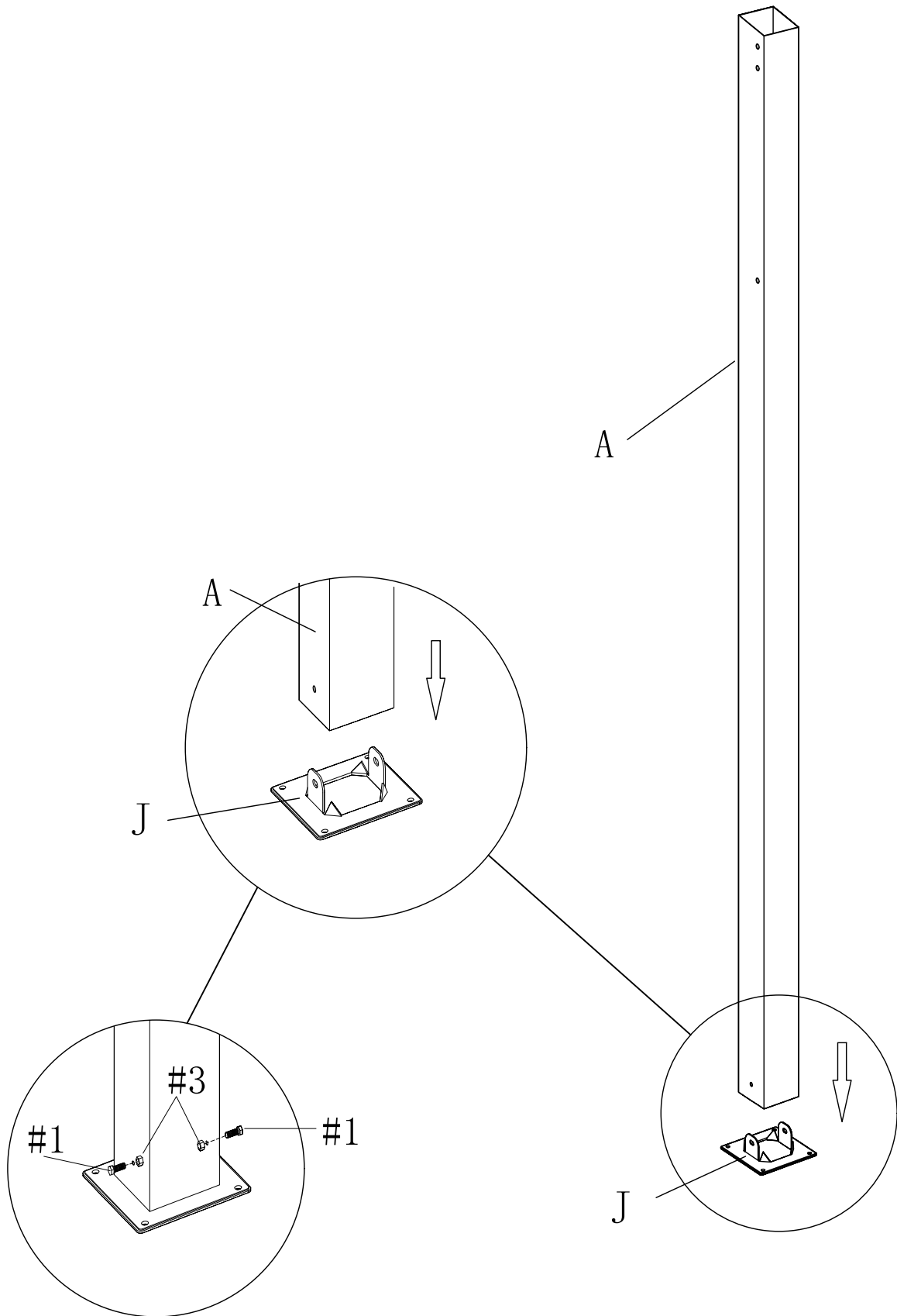
## STEP 1

A\*6

J\*6

#1\*12

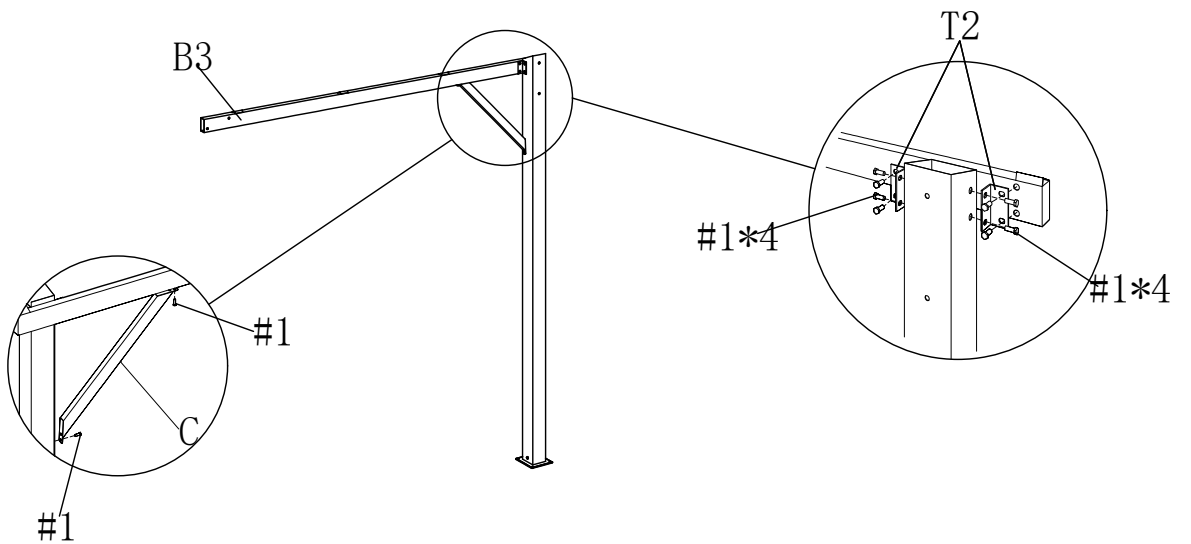
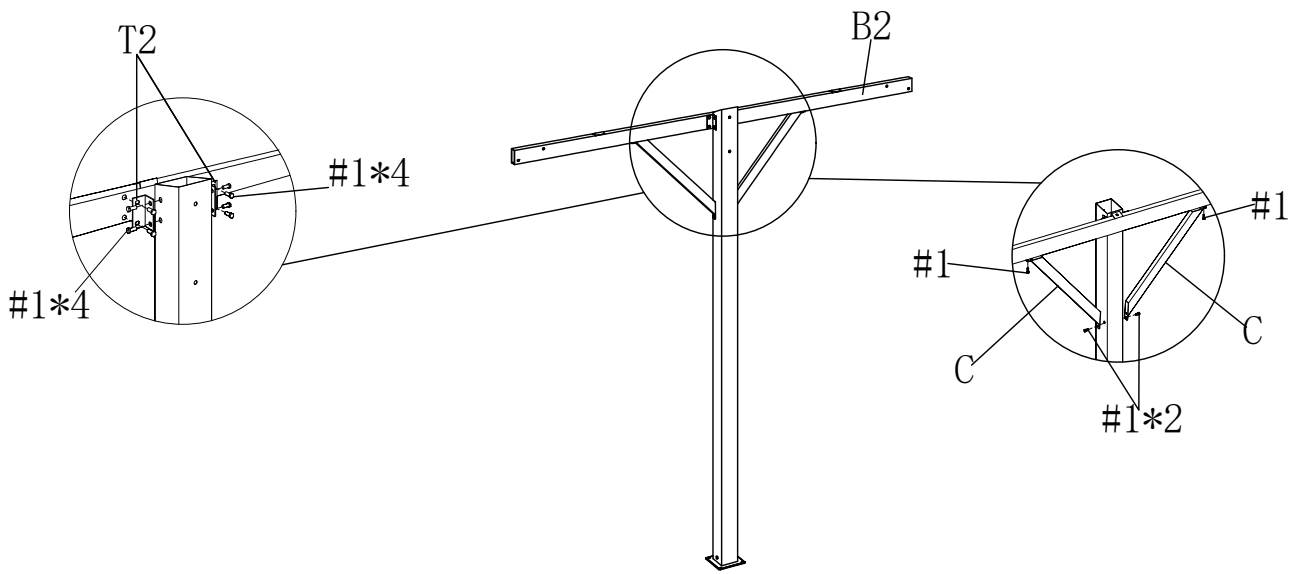
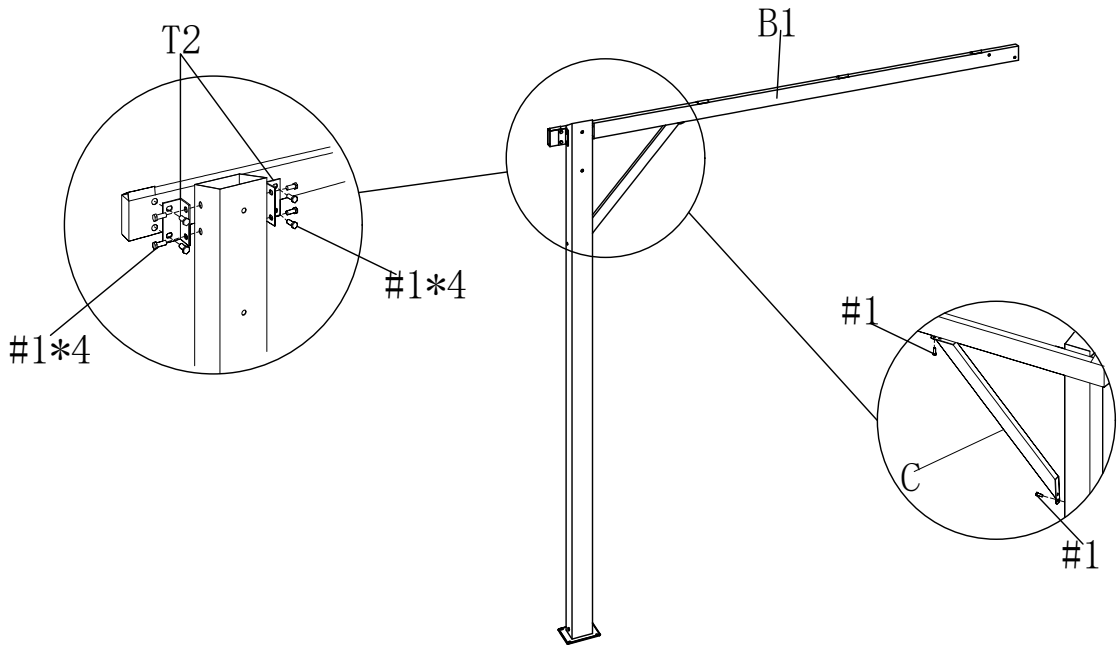
#3\*12



# Assembly Step

## STEP 2

B1*1
B2*1
B3*1
T2*6
C*4
#1*32

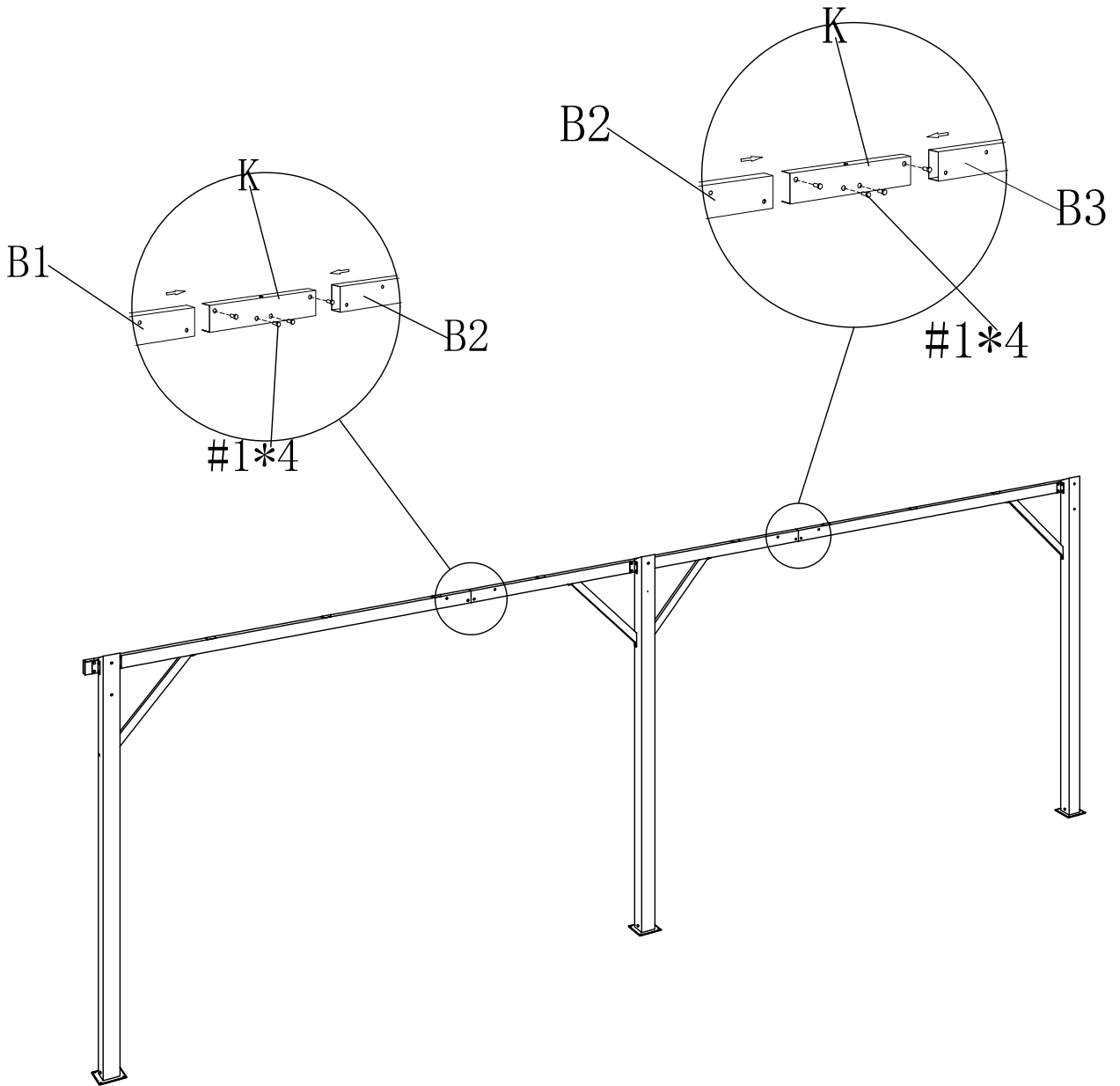


# Assembly Step

## STEP 3

K\*2

#1\*8



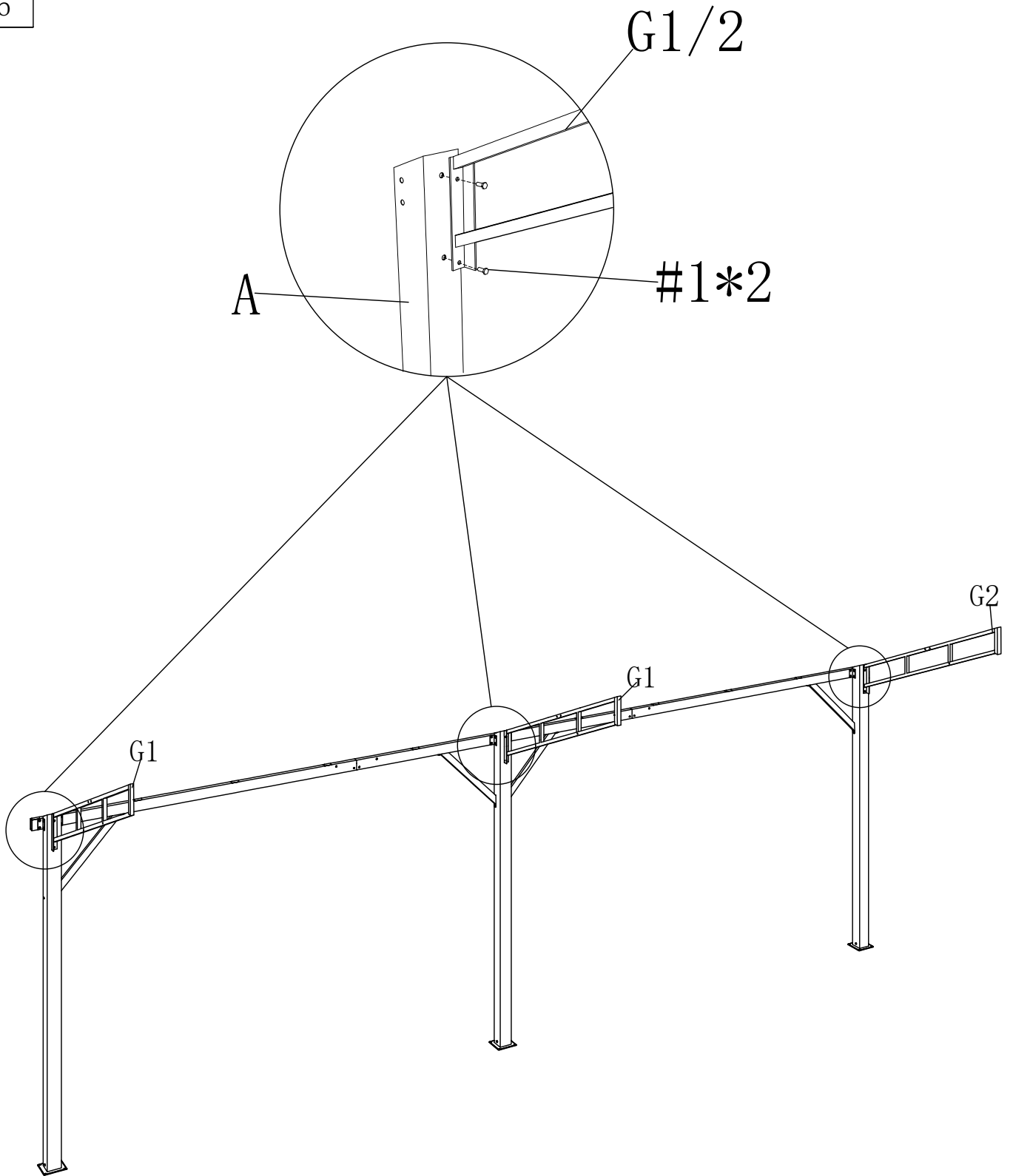
# Assembly Step

## STEP 4

G1\*2

G2\*1

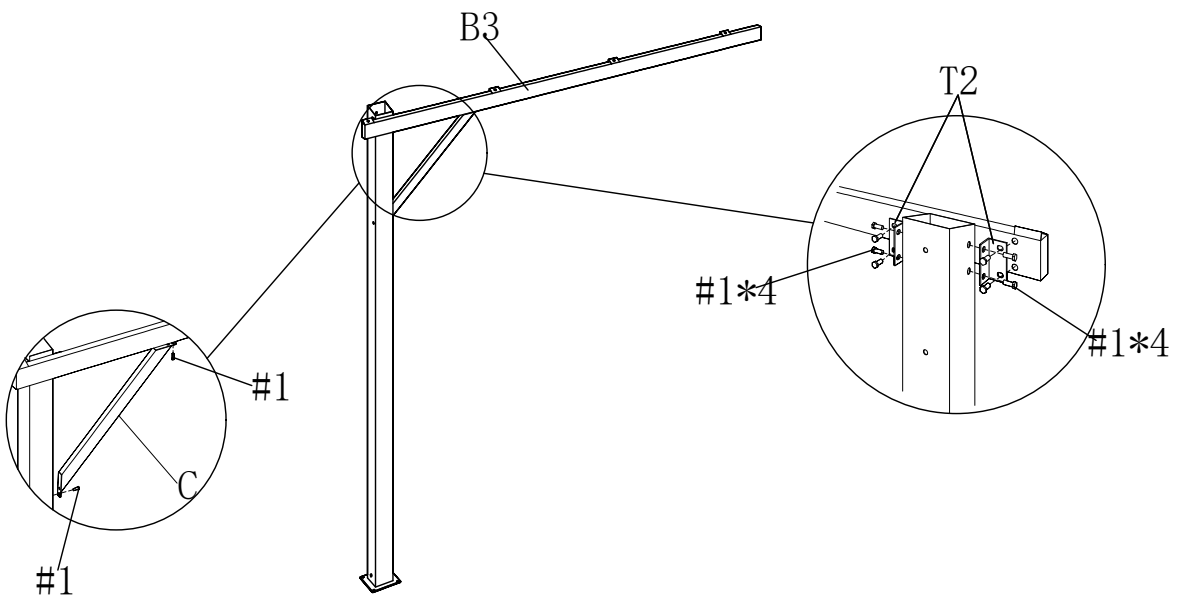
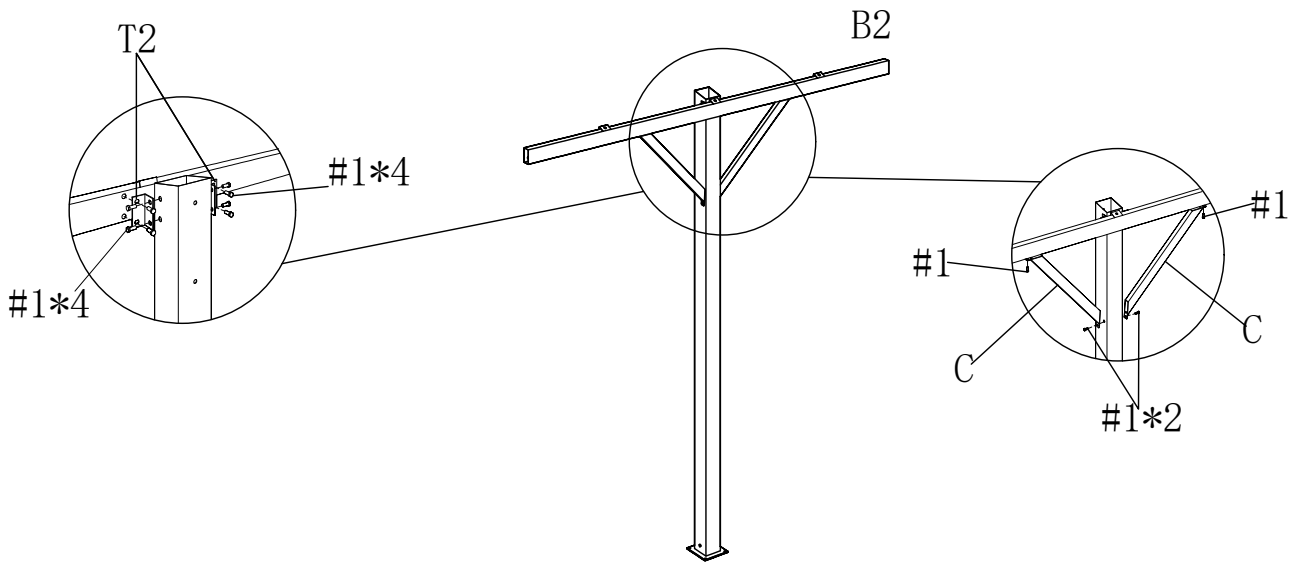
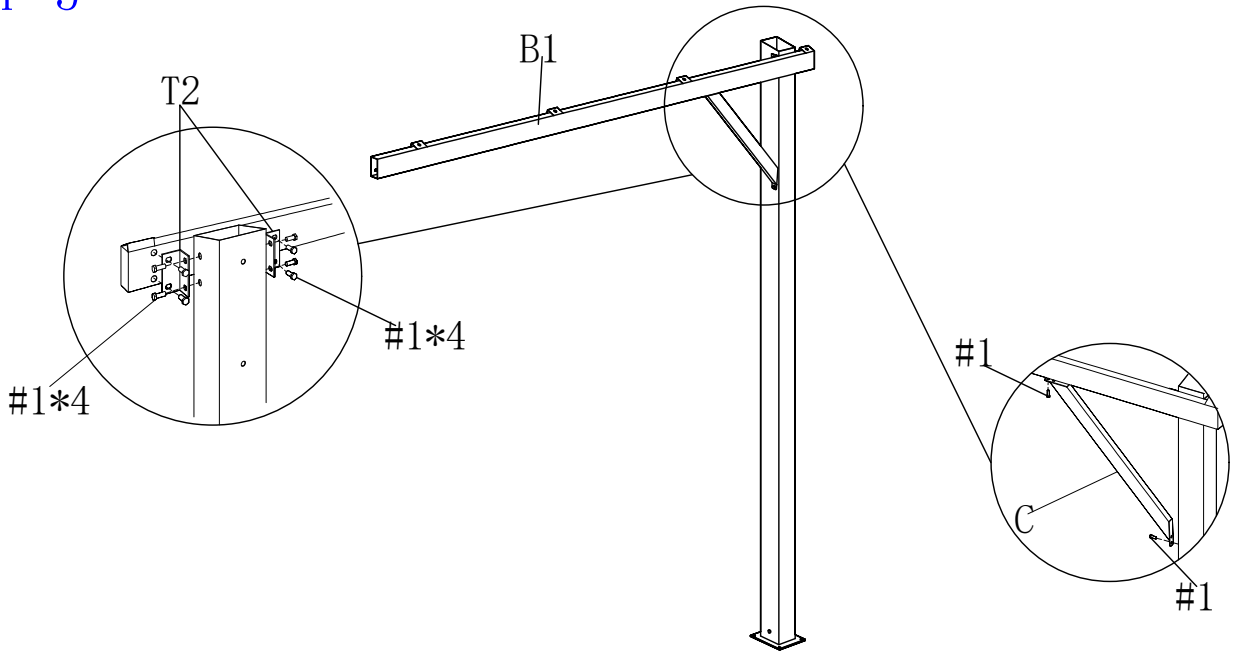
#1\*6



# Assembly Step

## STEP 5

B1*1
B2*1
B3*1
T2*6
C*4
#1*32

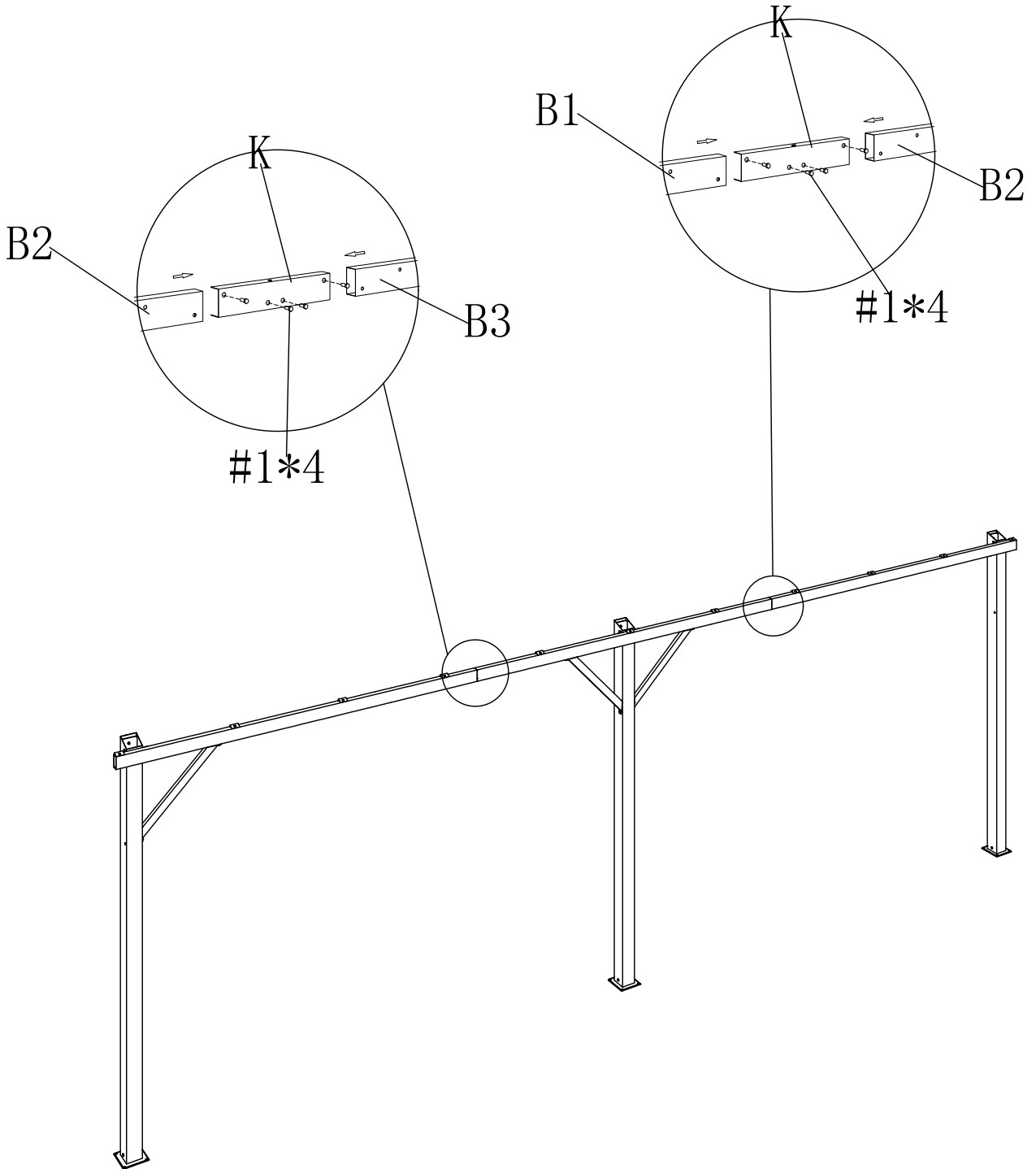


# Assembly Step

## STEP 6

K\*2

#1\*8





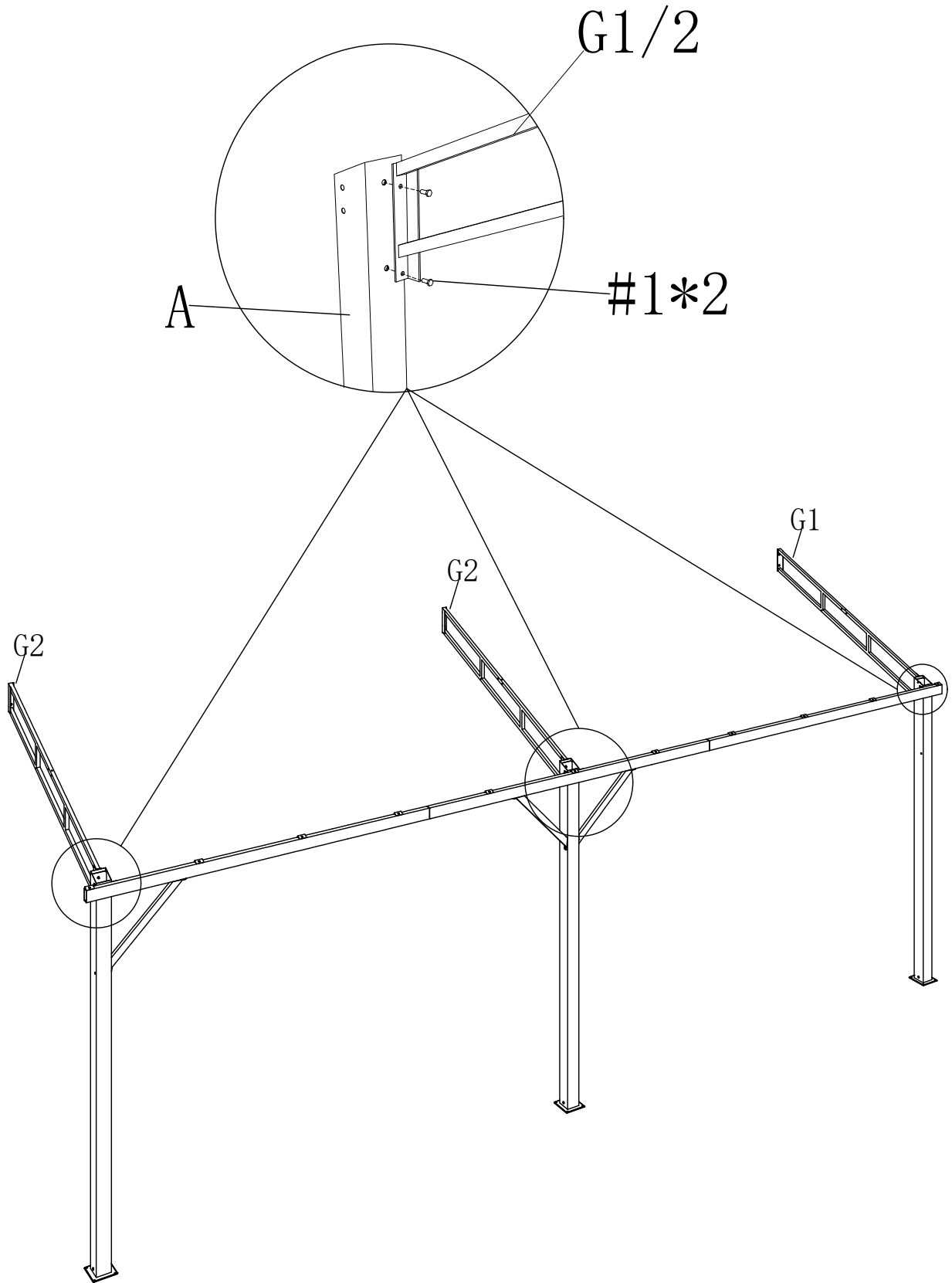
# Assembly Step

## STEP 7

G1\*1

G2\*2

#1\*6



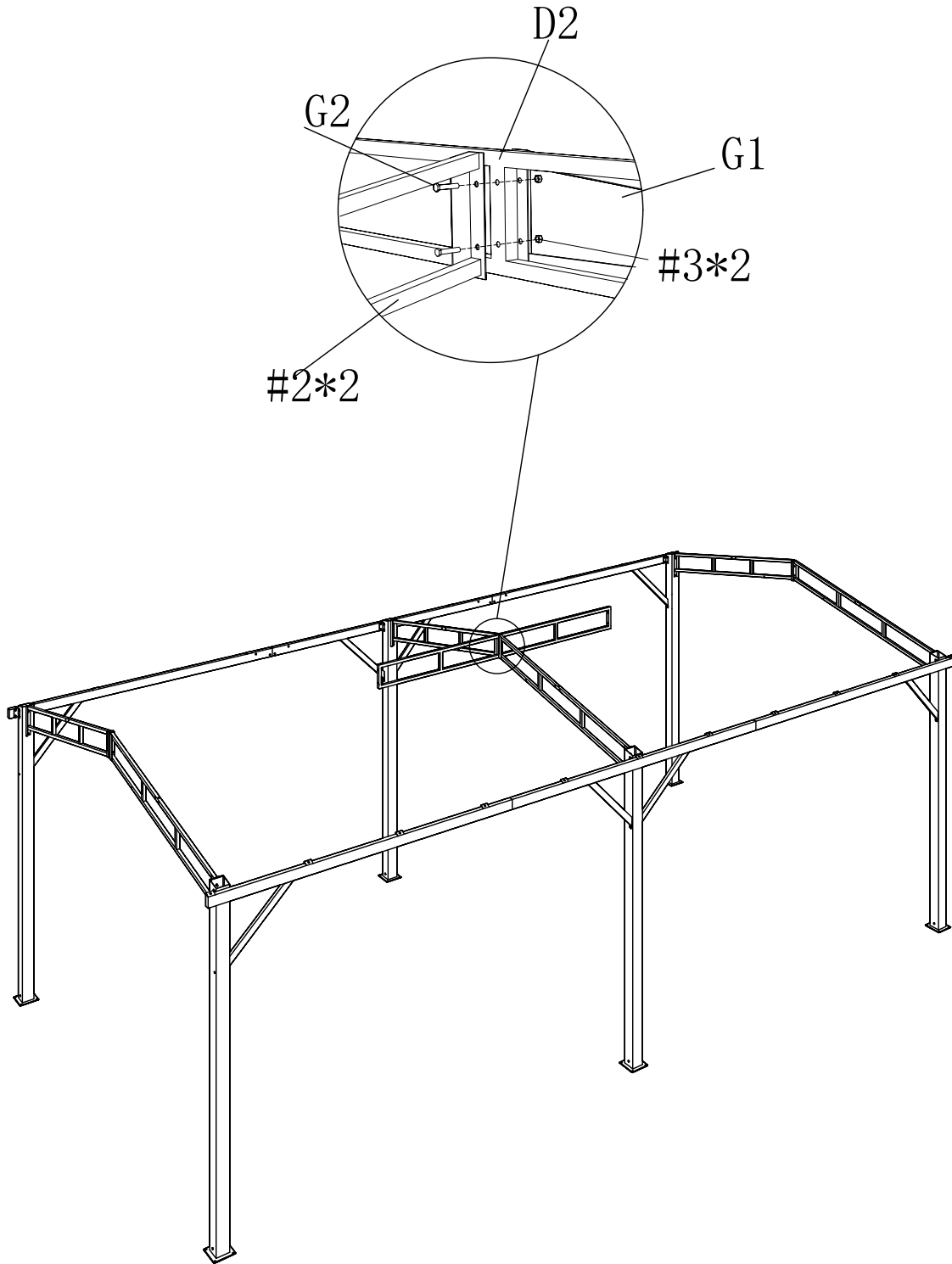
# Assembly Step

## STEP 8

D2\*1

#2\*2

#3\*2



# Assembly Step

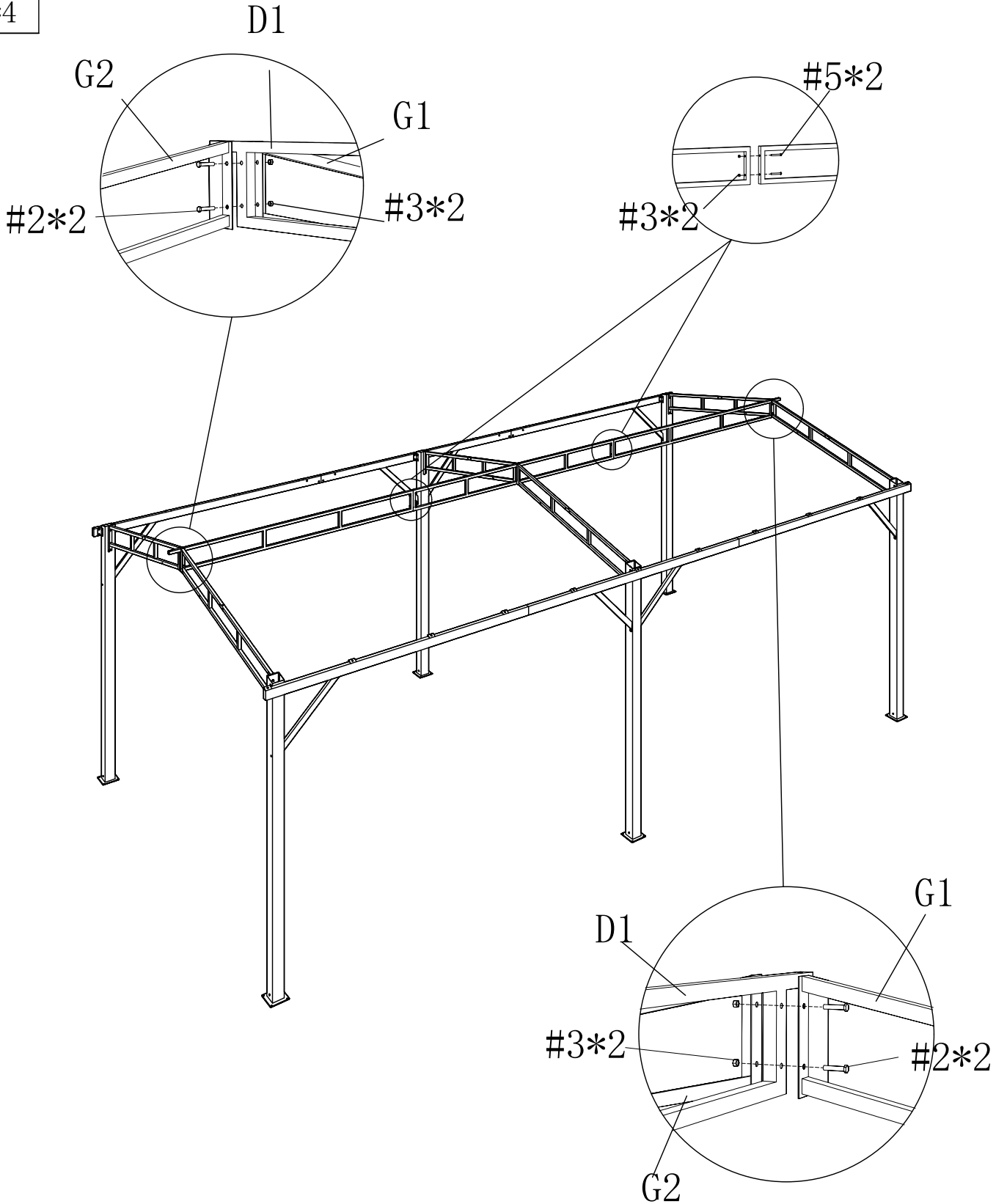
## STEP 9

D1\*2

#2\*4

#3\*8

#5\*4



# Assembly Step

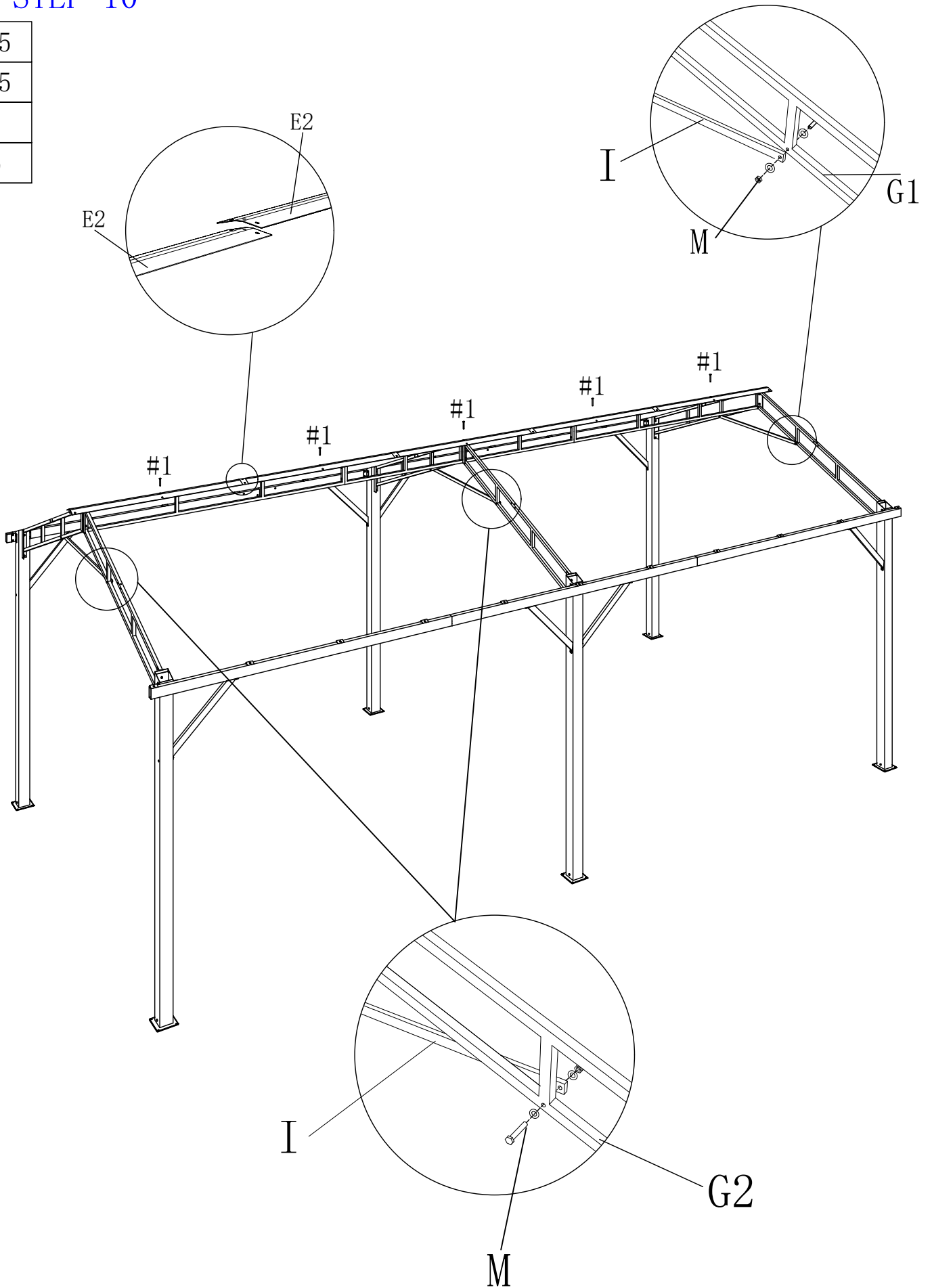
## STEP 10

E2\*5

#1\*5

I\*3

M\*6



# Assembly Step

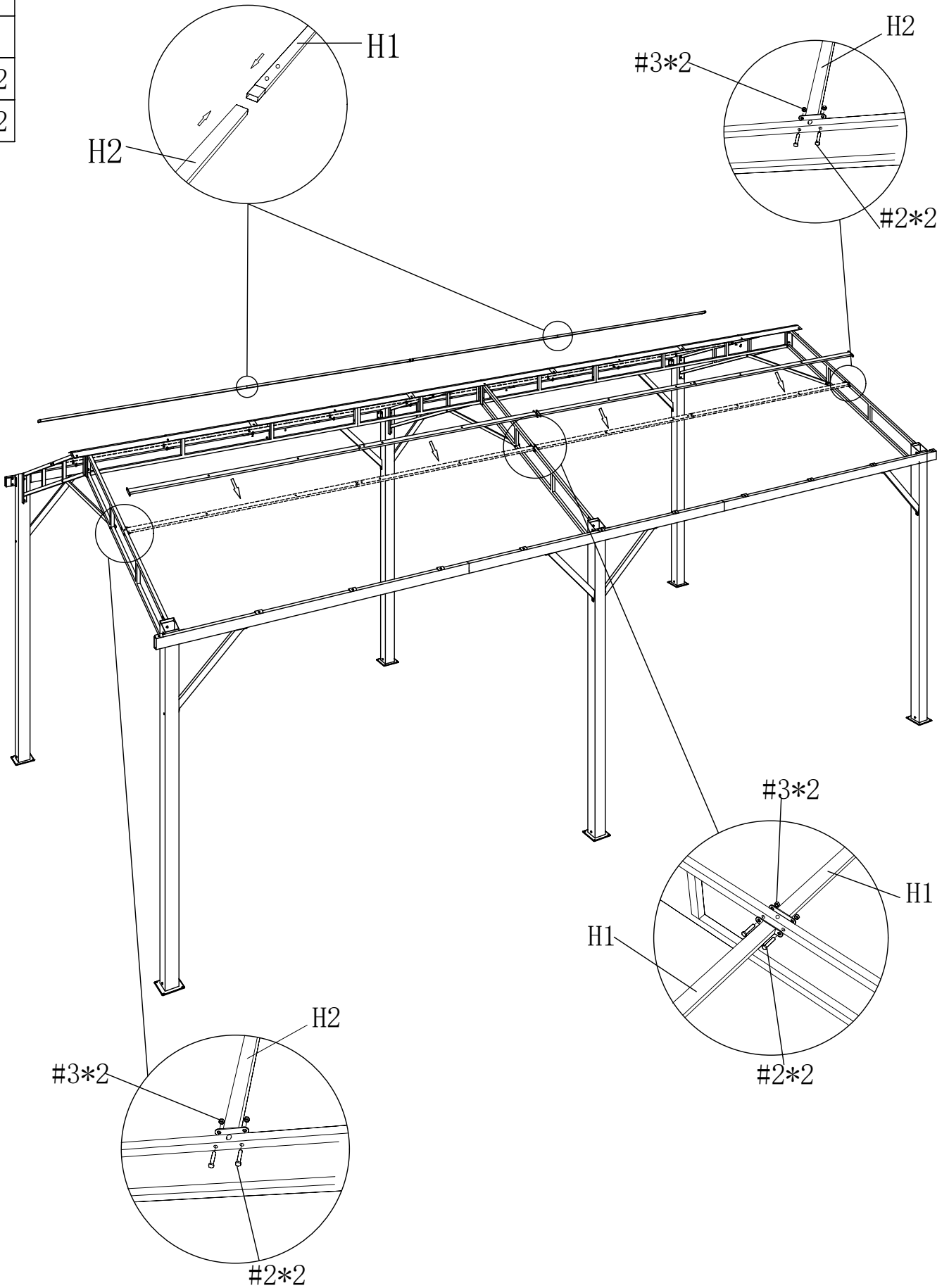
## STEP 11

H1\*4

H2\*4

#2\*12

#3\*12



# Assembly Step

## STEP 12

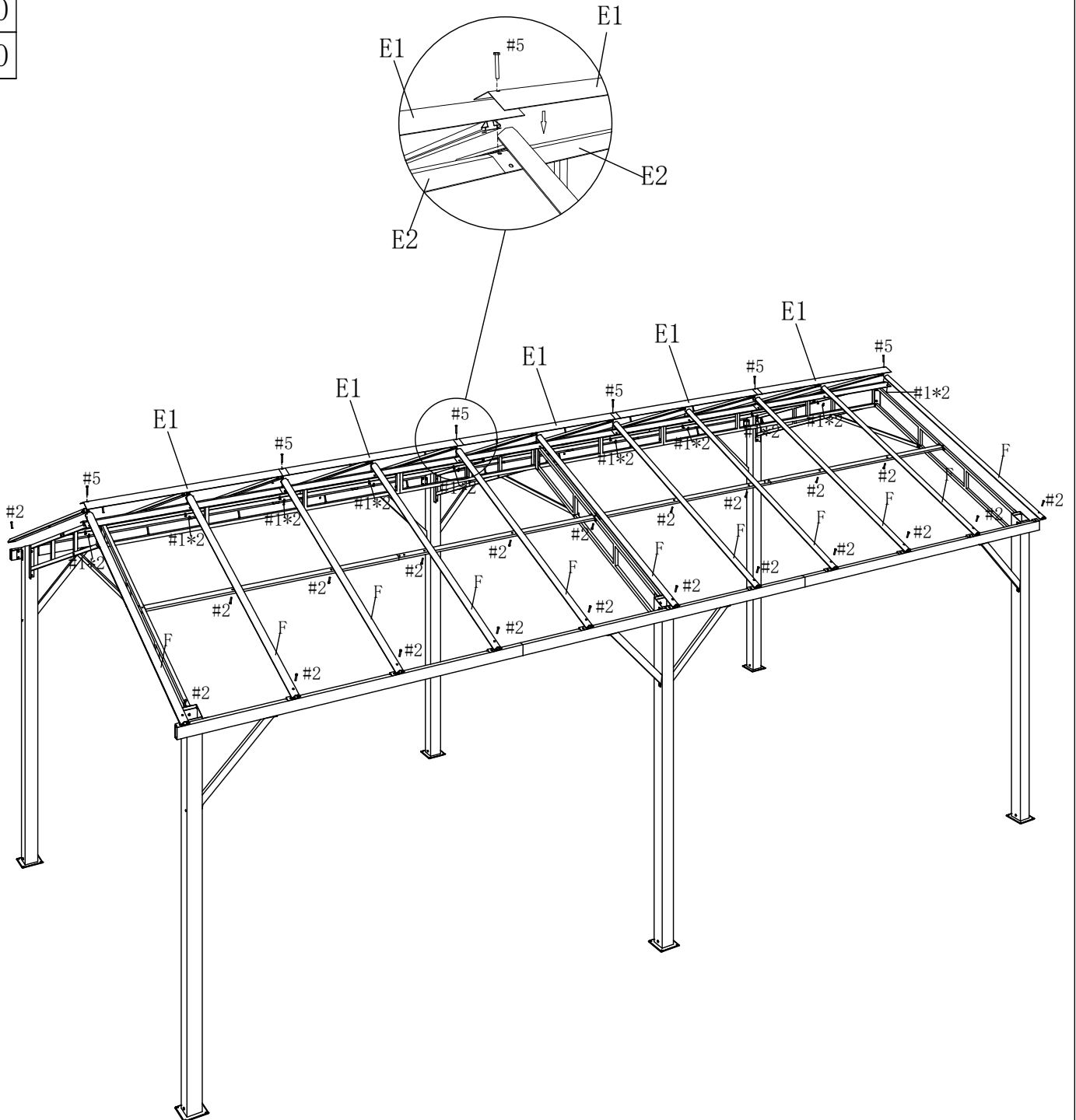
E1\*5

F\*22

#5\*6

#1\*20

#2\*40



# Assembly Step

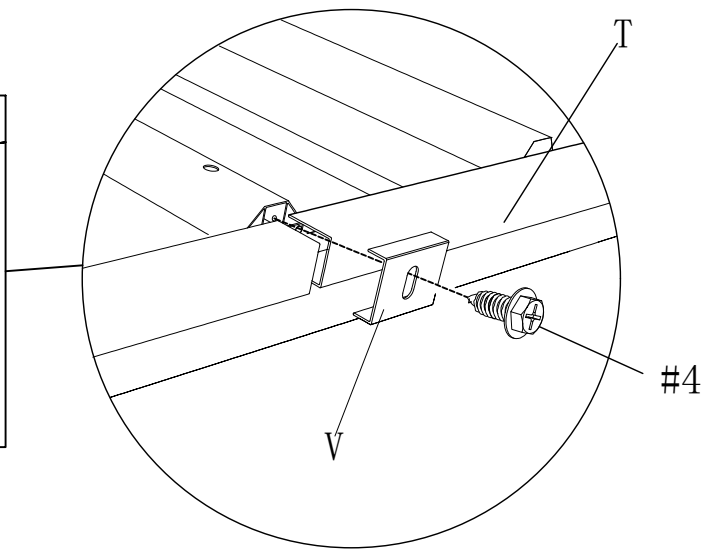
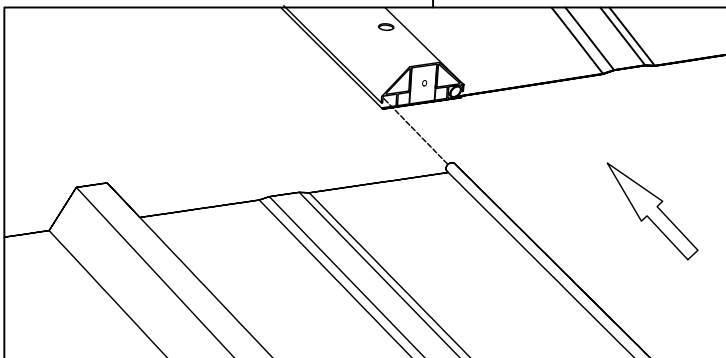
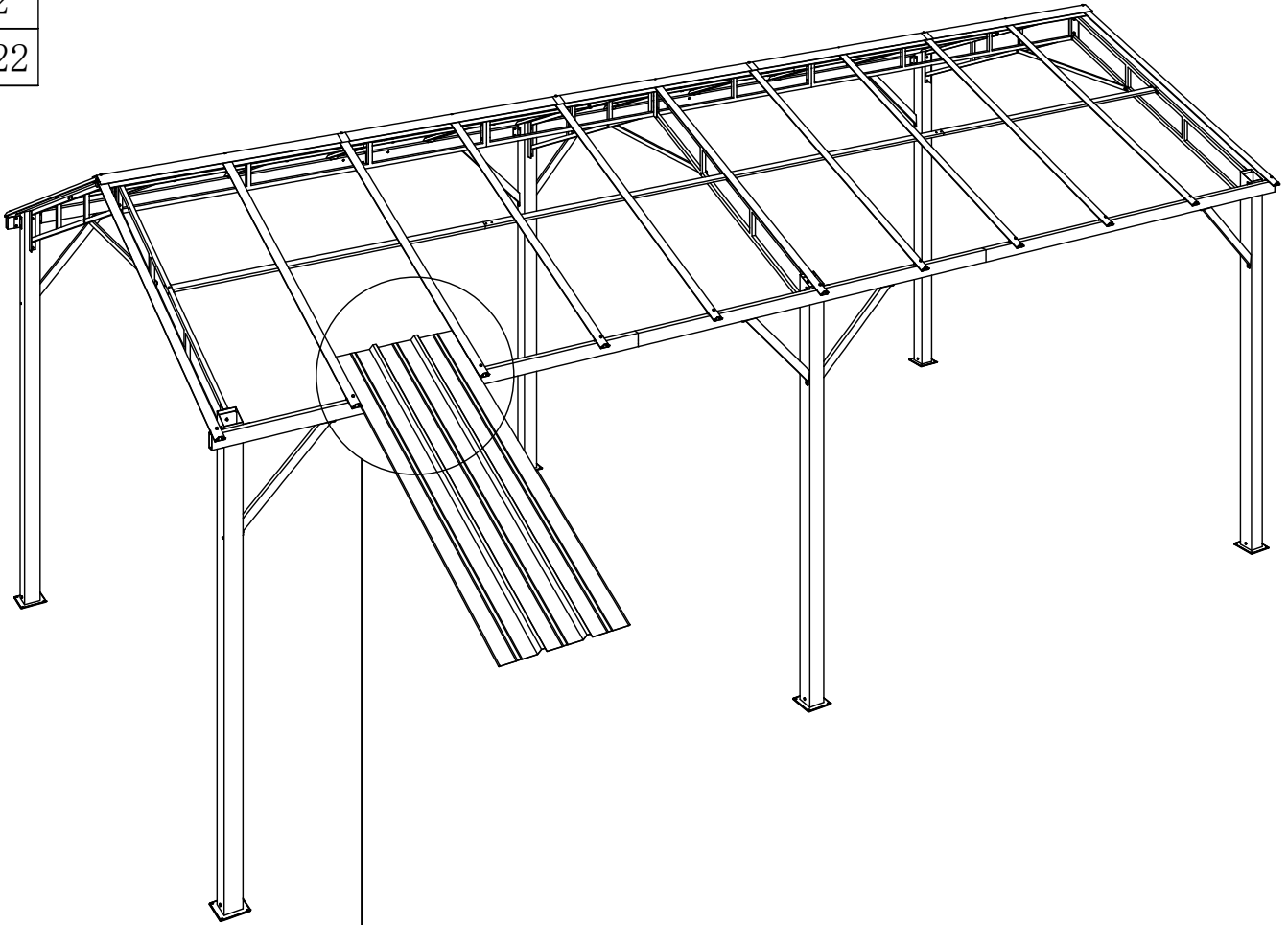
## STEP 13

GG\*20

T\*20

V\*22

#4\*22



When assembling each colored steel tile (GG), pls note to fix using the longer plate (T) and shorter plate (V) immediately to prevent the tile sliding. Safety is important!

# Assembly Step

## STEP 14

#8\*6

10\*6

