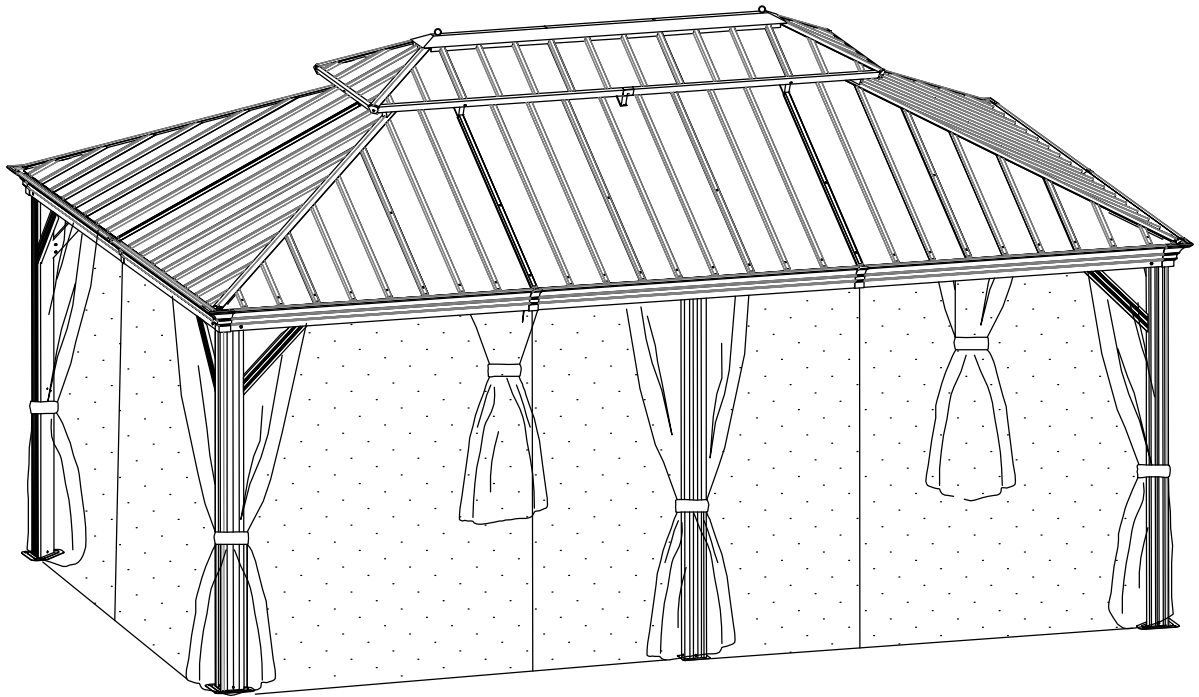


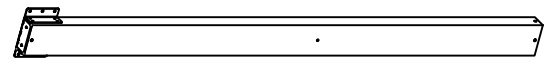
12 x 18FT

□ □ □ □ □ □ □ XWG-291TN □ □ □ □ □ □ □

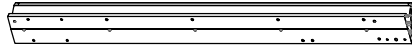




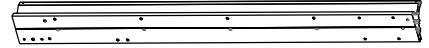
A 4x



A1 2x



B1 4x



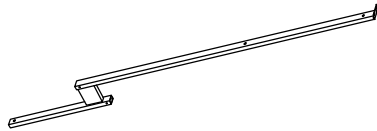
B2 4x



B8 2x



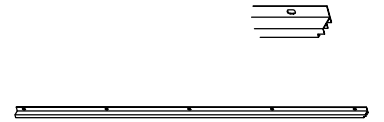
E 4x



E1 2x



C1 4x



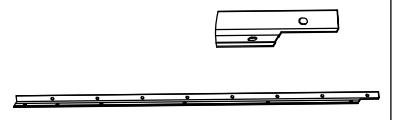
C2 4x



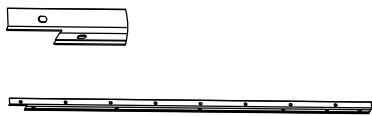
C11 2x



C12 2x



D1 4x



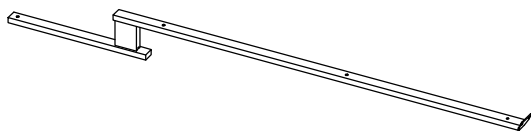
D2 4x



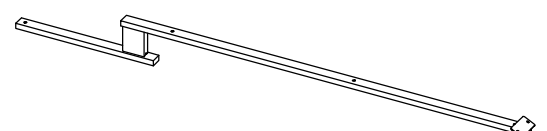
D19 2x



D20 2x



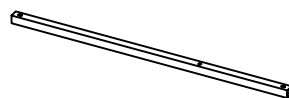
E2 4x



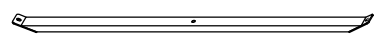
E3 2x



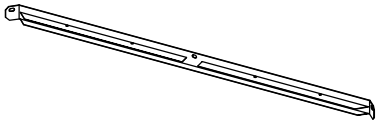
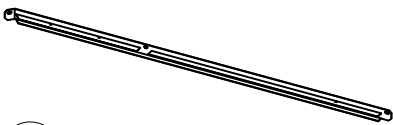

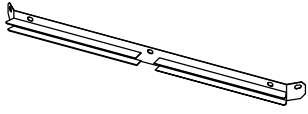


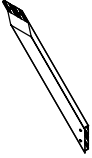
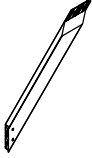
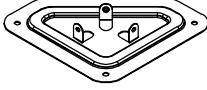
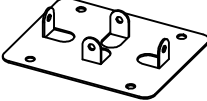
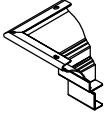

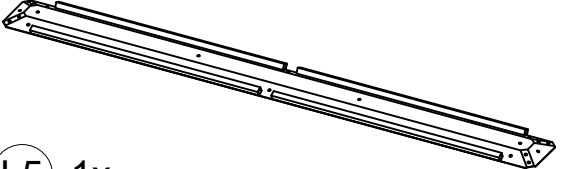
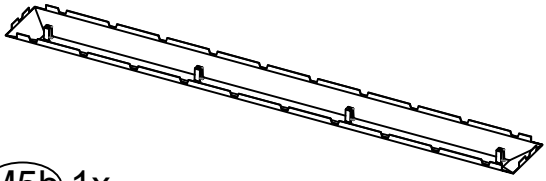



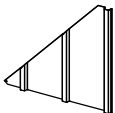
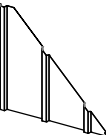
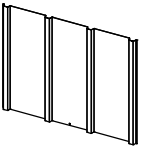
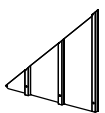
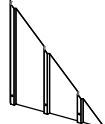
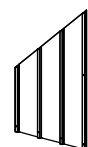
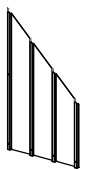

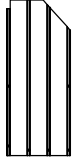
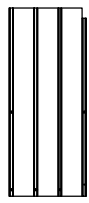
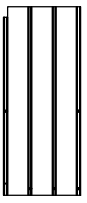
F1 8x

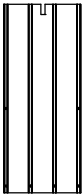
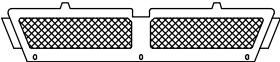
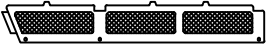
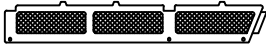
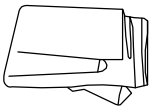
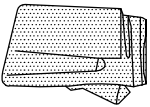

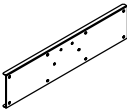
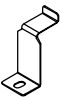
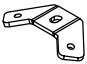
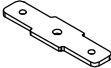
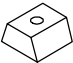

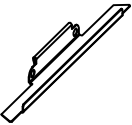
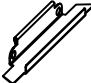
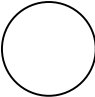














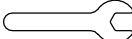



F4 4x



F5 3x

| | | | |
|---|--|--|--|
|  G1 2x |  G7 2x |  G8 2x | |
|  I1 2x |  I7 2x |  I8 2x | |
|  H 4x |  H1 4x |  J 4x |  J1 2x |
|  K 4x |  K1 6x |  L5 1x | |
|  M5b 1x | |  N 8x |  N1 2x |
|  E5 4x |  S1 4x |  S2 4x |  S3 6x |
|  R1 4x |  R2 4x |  R3 4x |  R4 4x |
|  R5 4x |  R6 4x |  R8 2x |  R9 2x |

| | | | |
|---|---|--|--|
|  R10 2x |  V1 2x |  V5a 2x |  V5b 2x |
|  T 4x + 2x |  T1 4x + 2x |  U 144x |  P 6x |
|  V 6x |  W 4x |  W1 8x |  Y 104x |
|  Z 64x |  Z1 8x |  Z2 8x |  Za 2x |
|  W3 8x |  W4 8x |  1 342x M6x15 |  2 80x M6x23 |
|  3 6x M6x25 |  4 28x ST 4.8x12 |  5 3x |  6 6x M6x42 |
|  7 12x M6x47 |  8 16x |  9 12x M6x10 |  10 20x |
|  12 2x 4mm |  13 1x 6mm |  14 1x |  15 40x M5x15 |

<1>

A 4x

A1 2x

J 4x

J1 2x

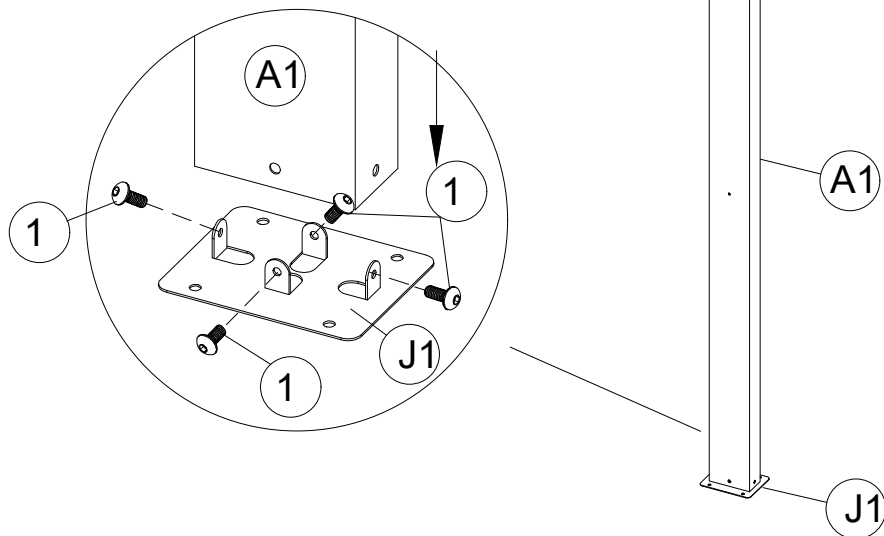
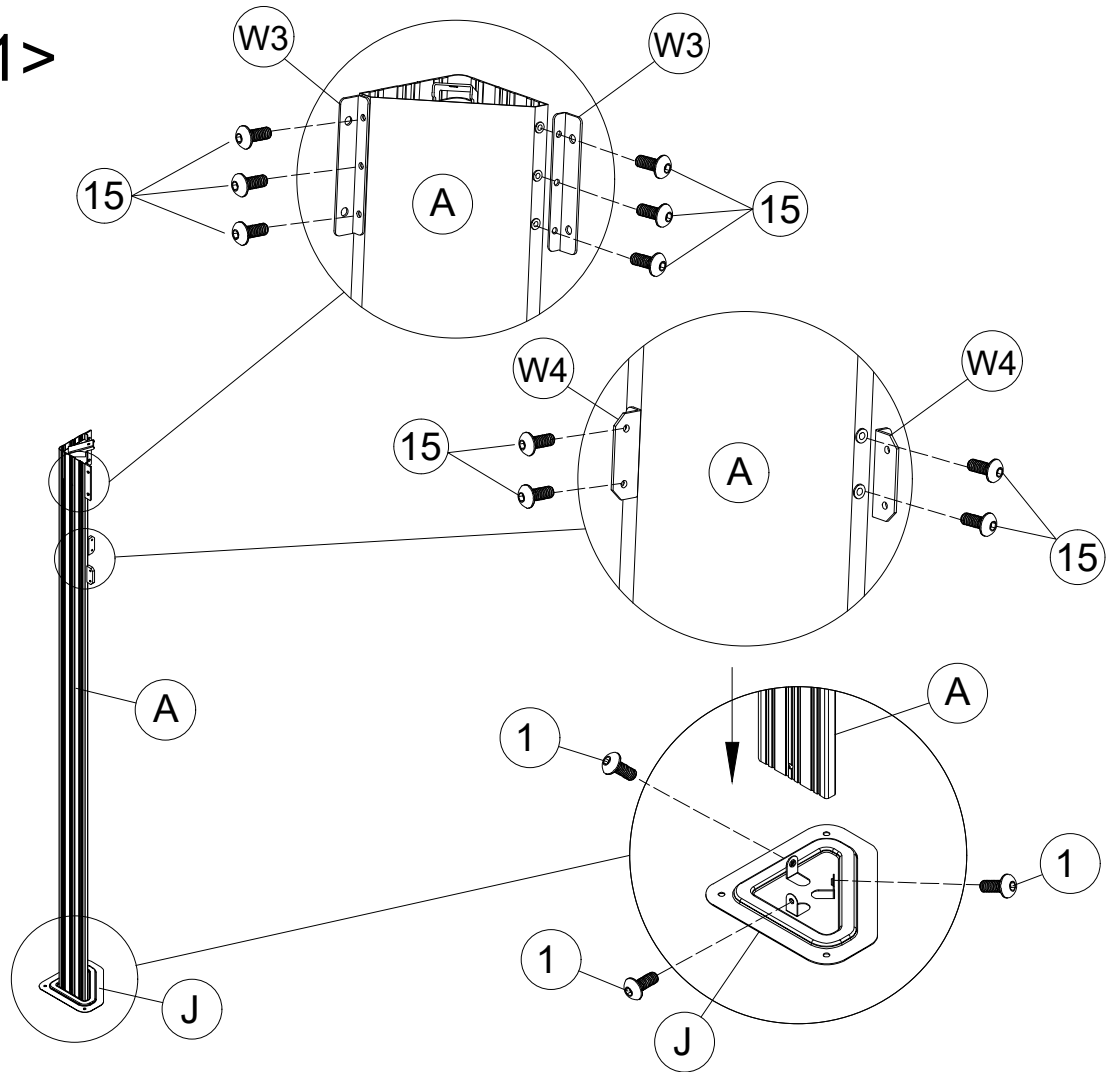
W3 8x

W4 8x

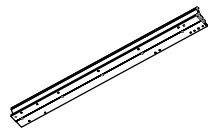
5

1 20x M6x15

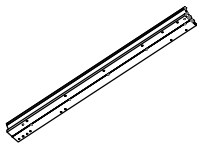
15 40x M5x15



<2>



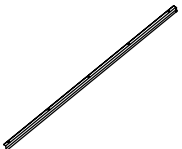
B1 2x



B2 2x



C1 2x



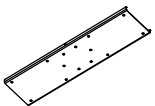
C2 2x



D1 2x



D2 2x



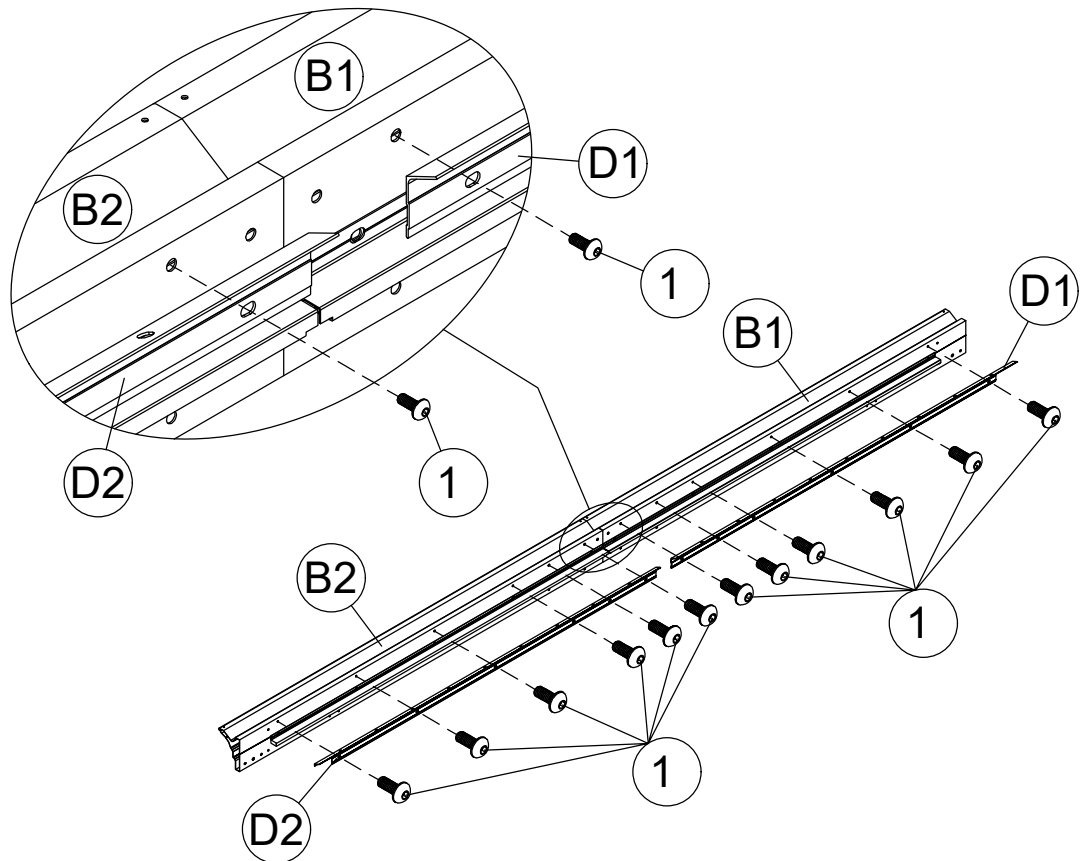
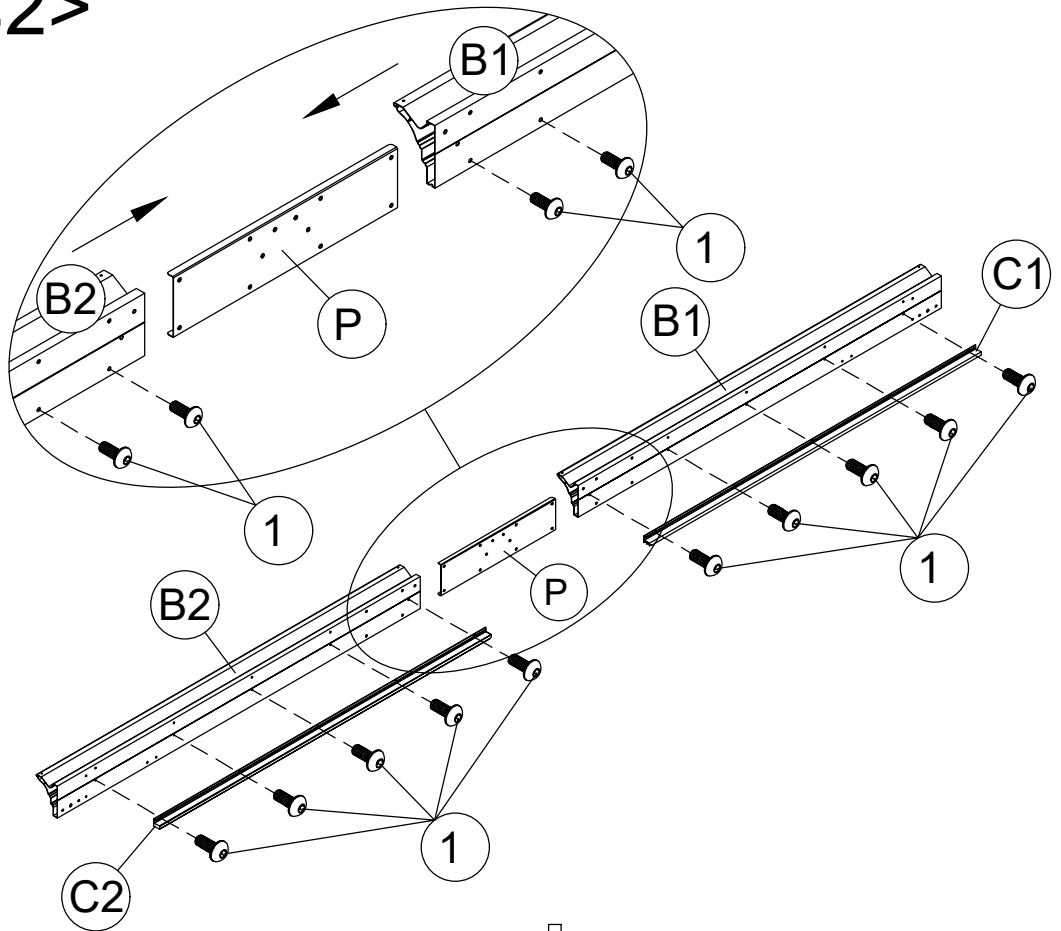
P 2x



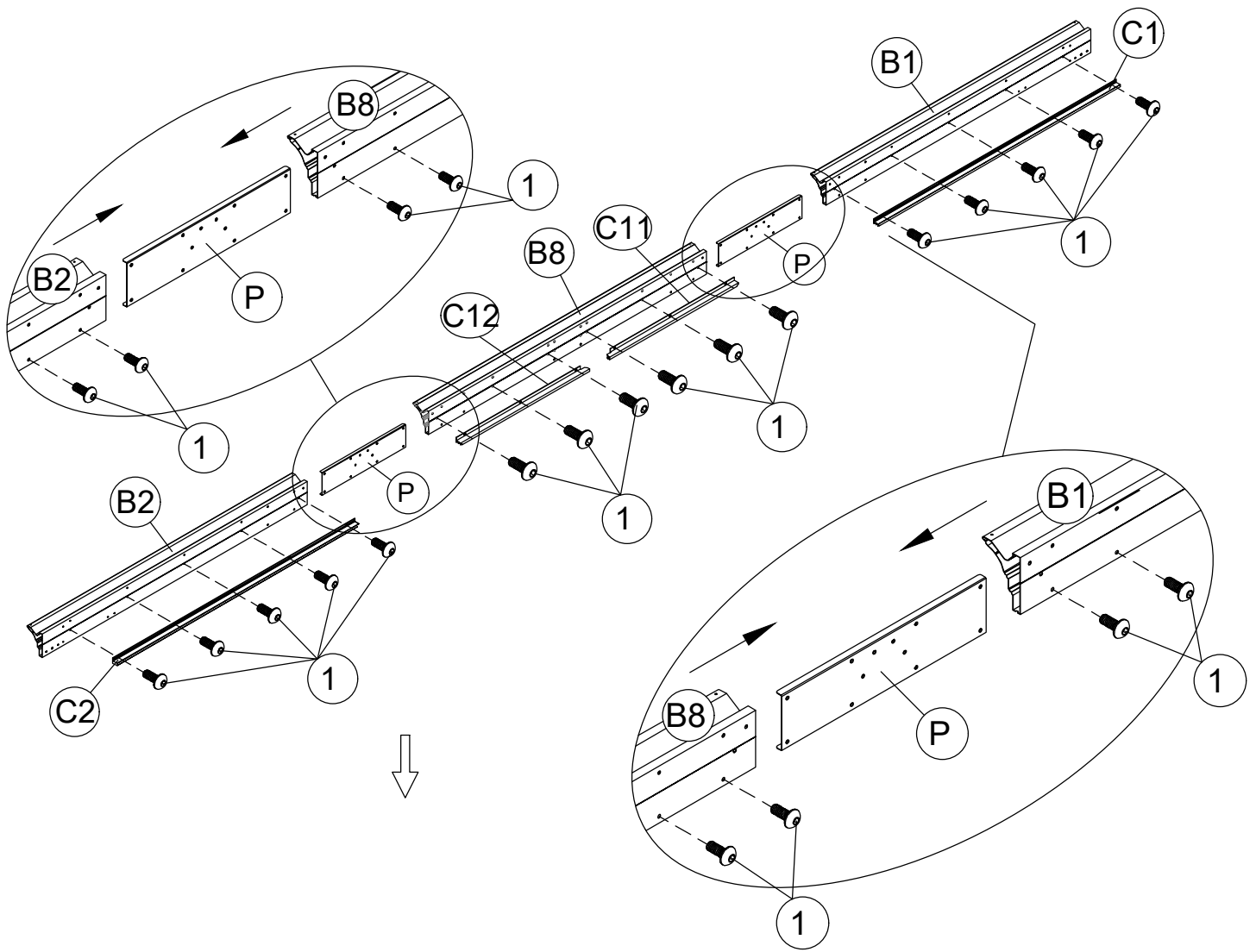
M6x15

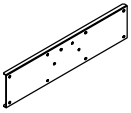

1 52x






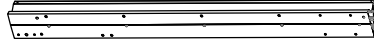
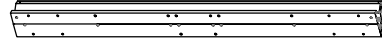
6



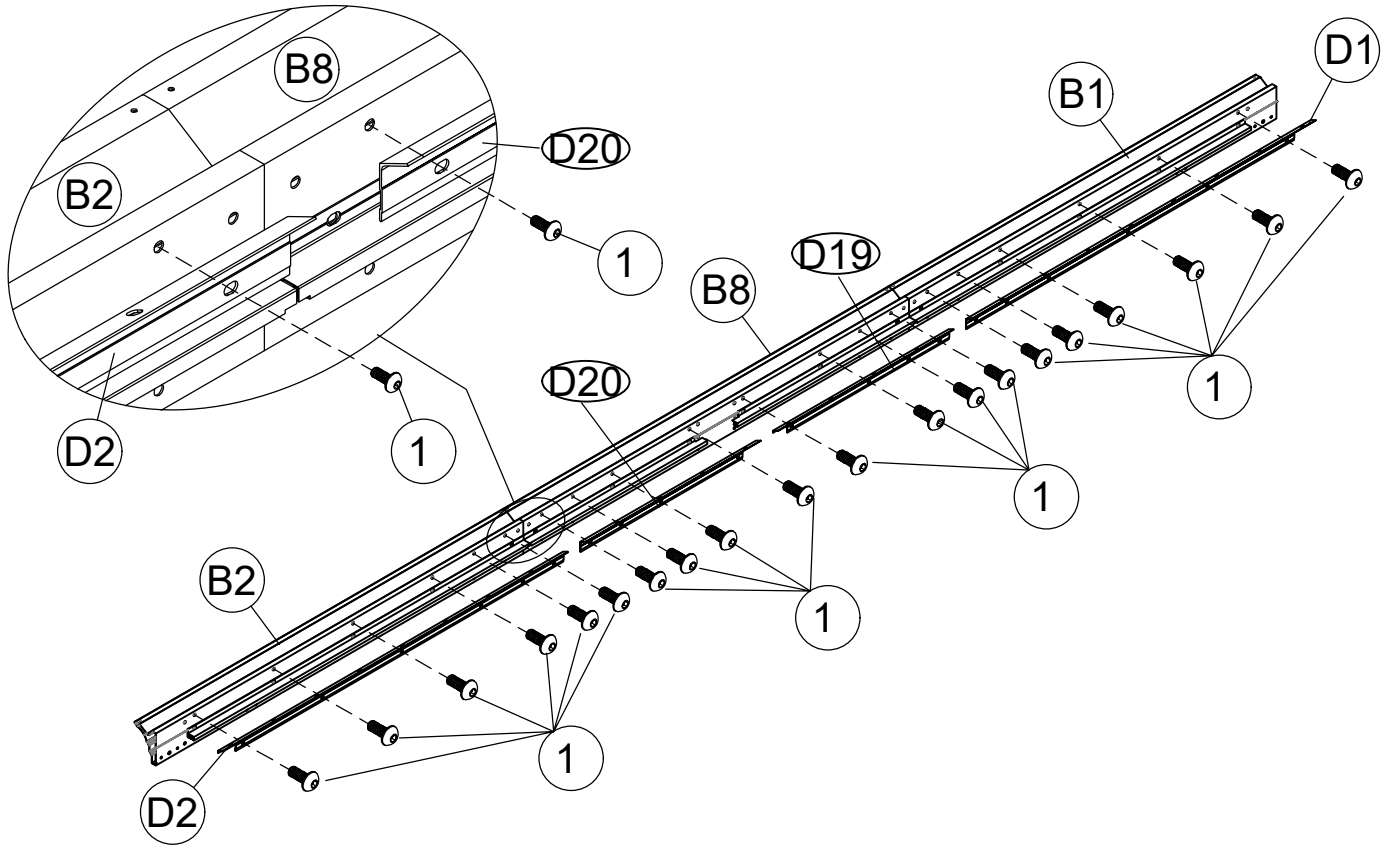
<3>








| |
|---|
|  |
| P 4x |
|  |
| 1 48x M6x15 |
| 7 |

| | | | |
|---|--|---|---|
|  |  |  |  |
| C1 2x | C2 2x | C11 2x | C12 2x |
|  |  |  | |
| B1 2x | B2 2x | B8 2x | |

<4>



| | | |
|---|---|---|
|  M6x15 1 40x |  D1 2x |  D2 2x |
| 8 |  D19 2x |  D20 2x |

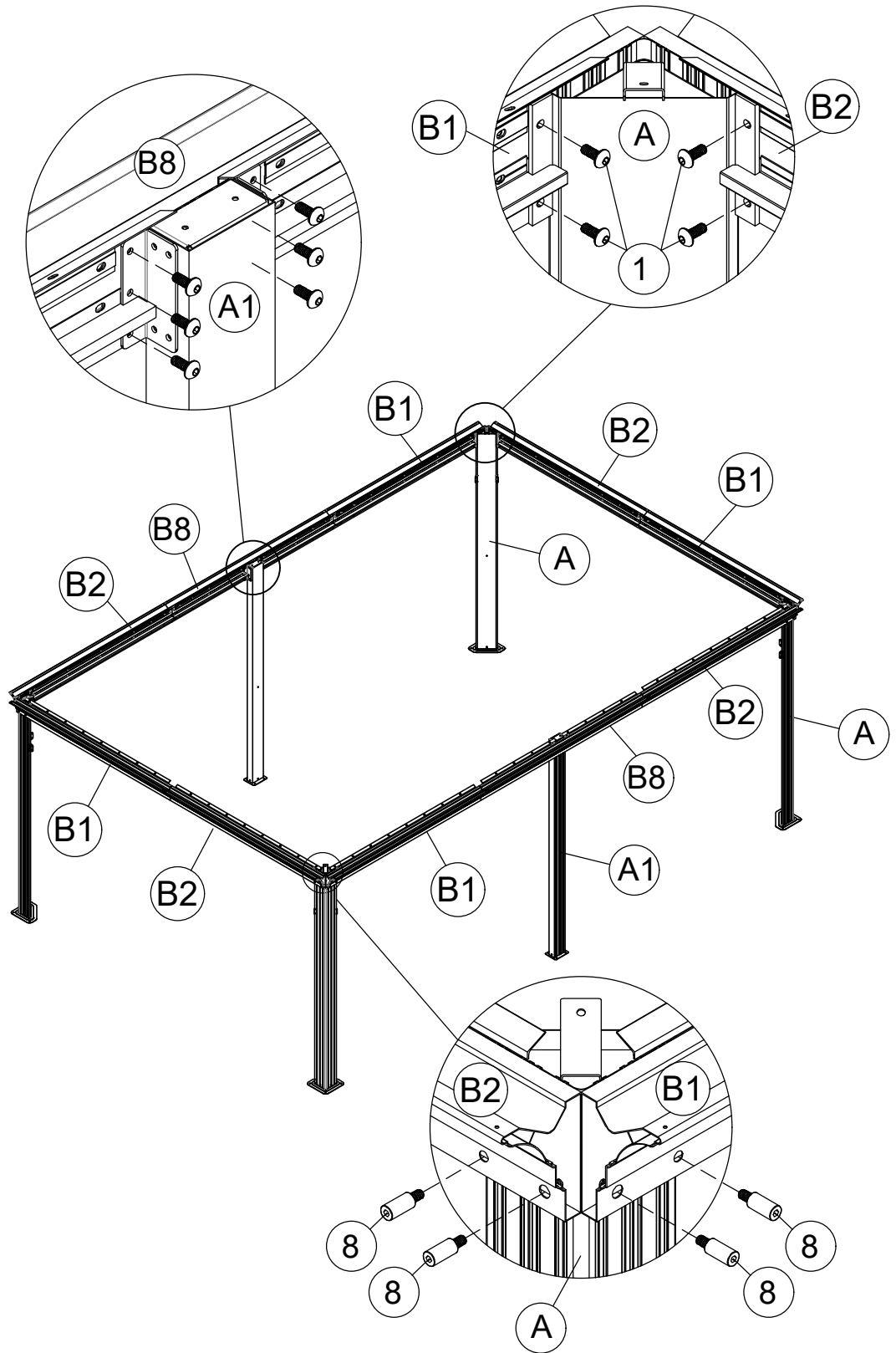


<5>

1 28x M6x15

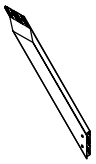


8 16x

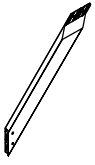


9

<6>



H 4x



H1 4x

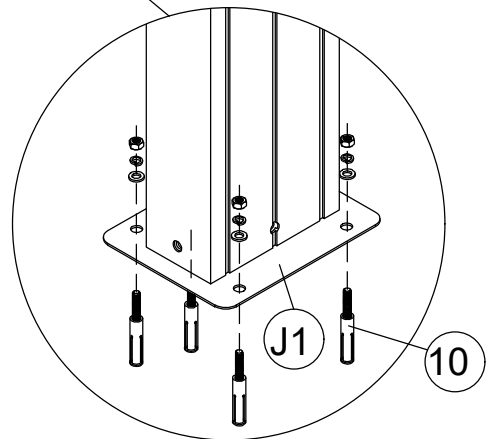
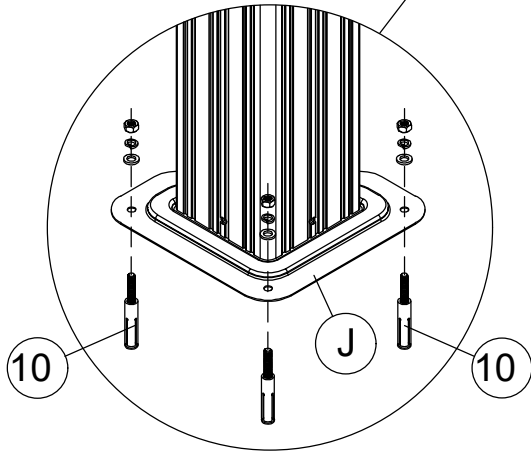
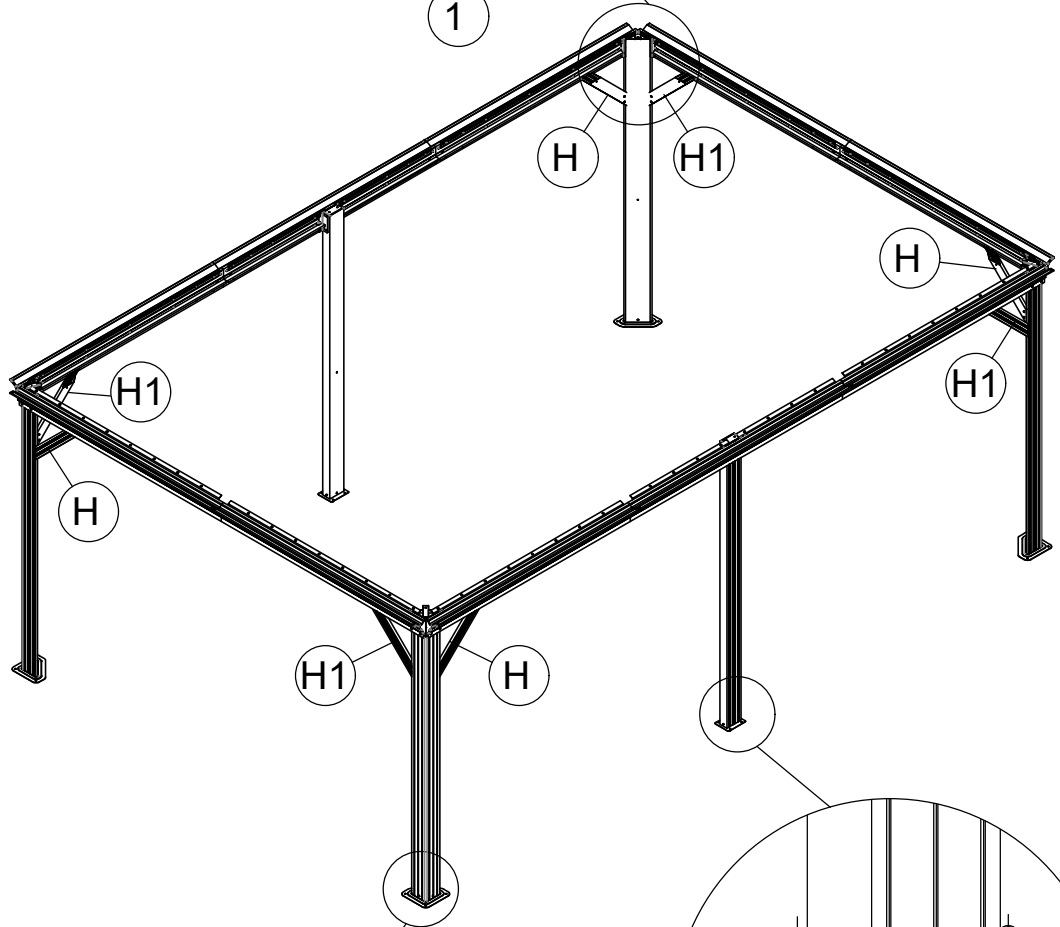
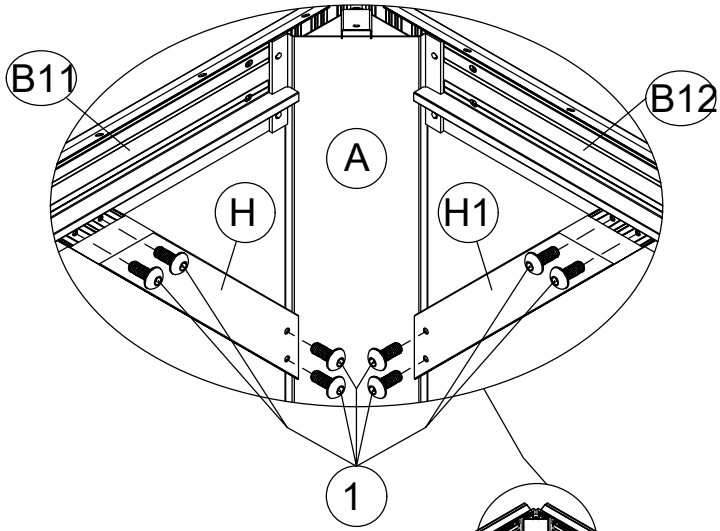


M6x15

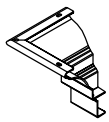
1 32x



10 20x



10



(K) 4x



(K1) 6x



(U) 144x



(V) 6x

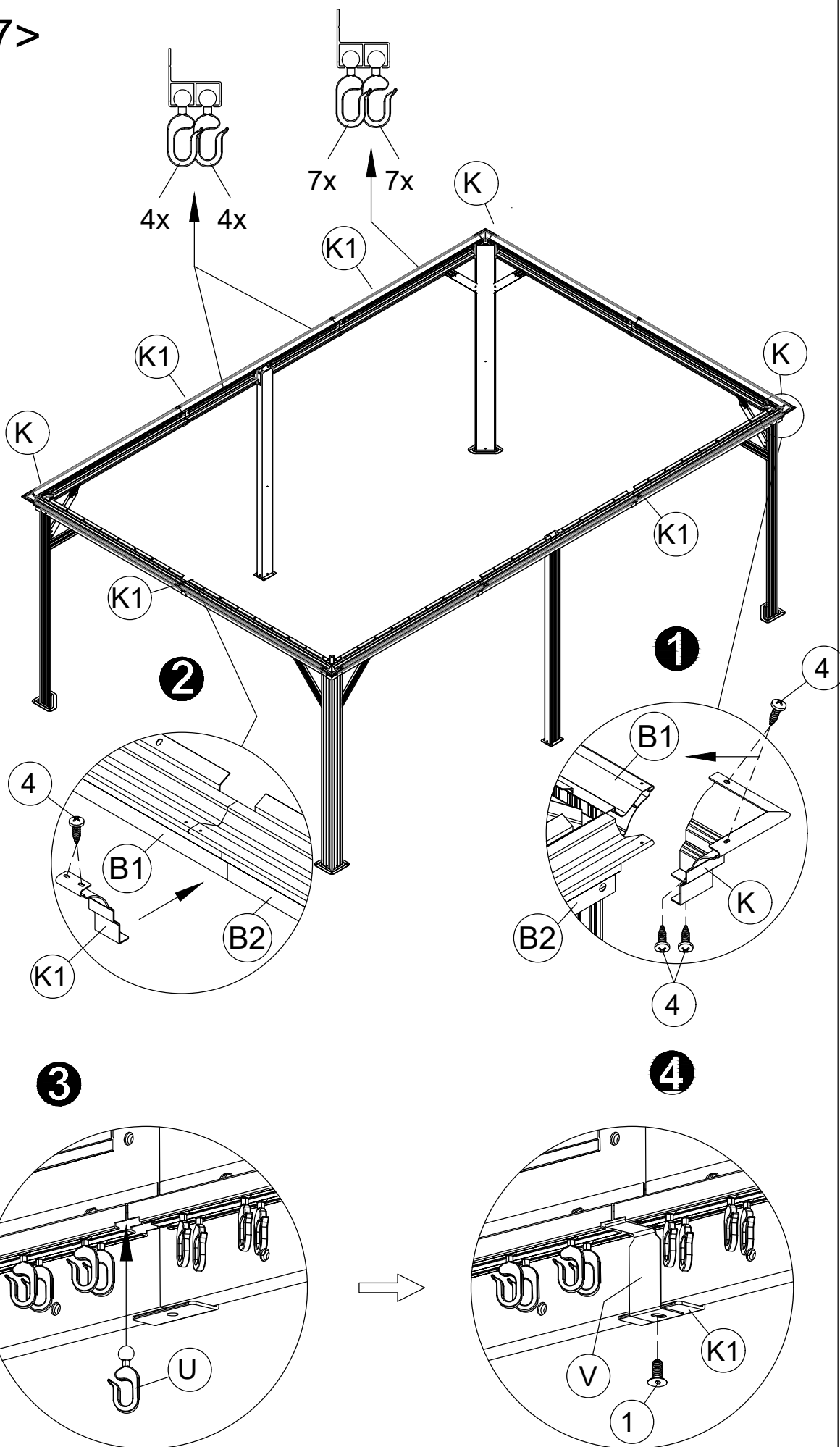


(1) 6x M6x15



(4) 28x ST4.8x12

<7>



<8>

E2 4x

E3 2x

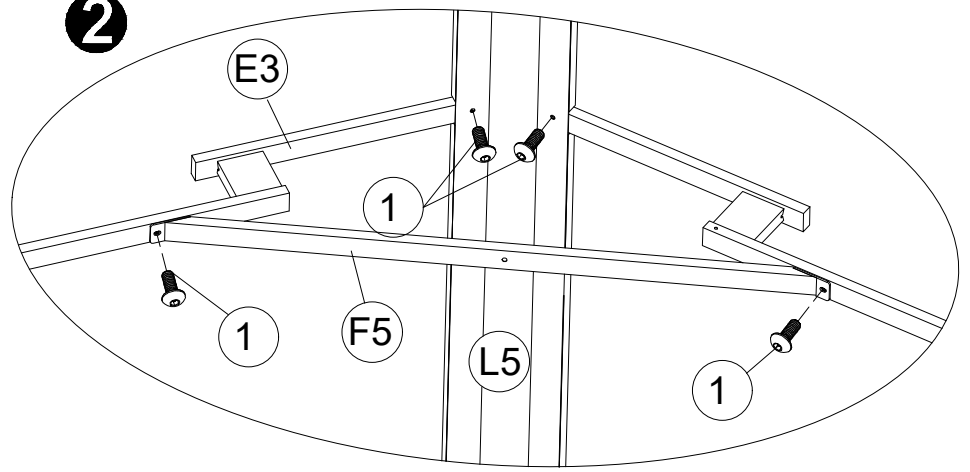
F5 3x

1 24x

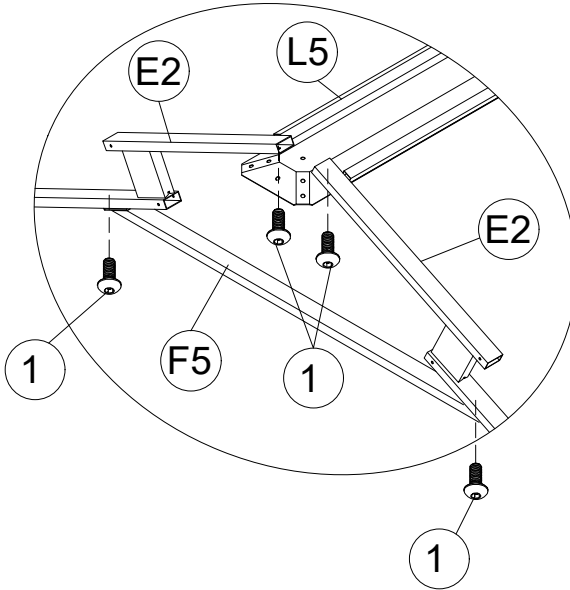
M6x15

L5 1x

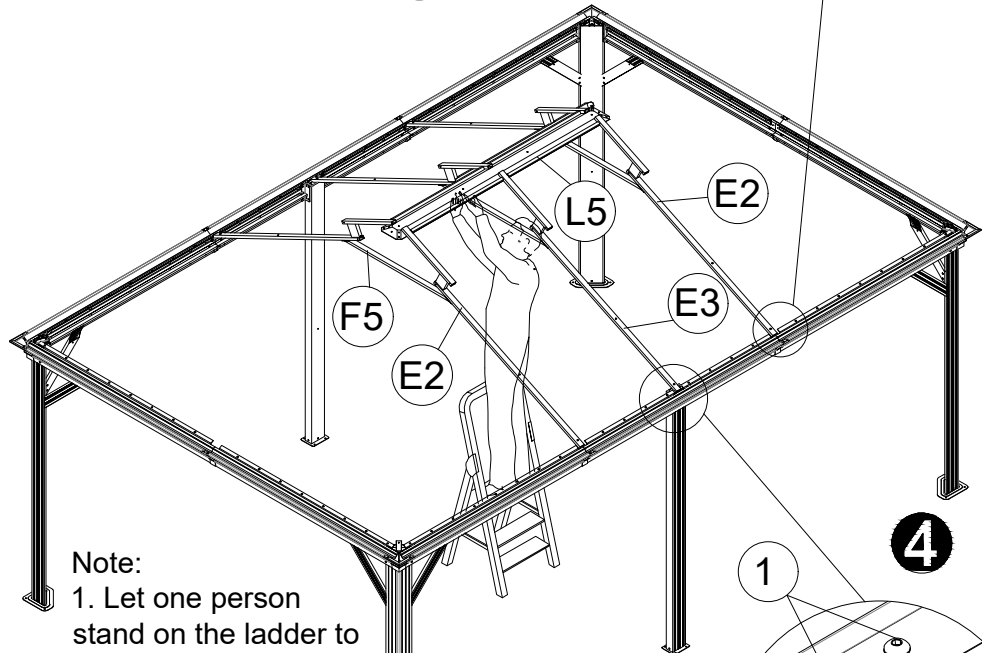
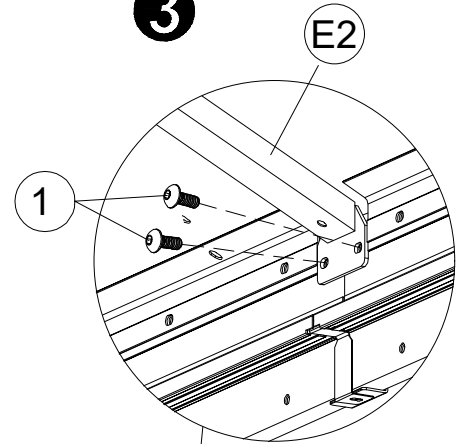
2



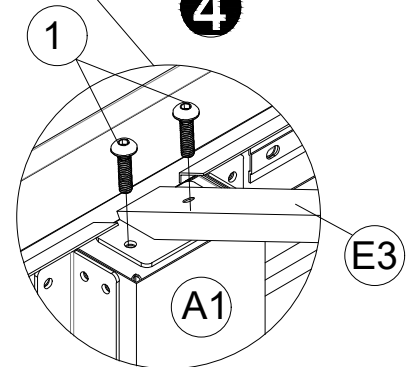
1



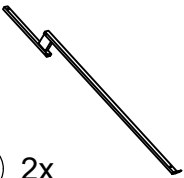
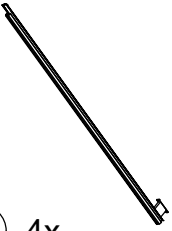


3



4

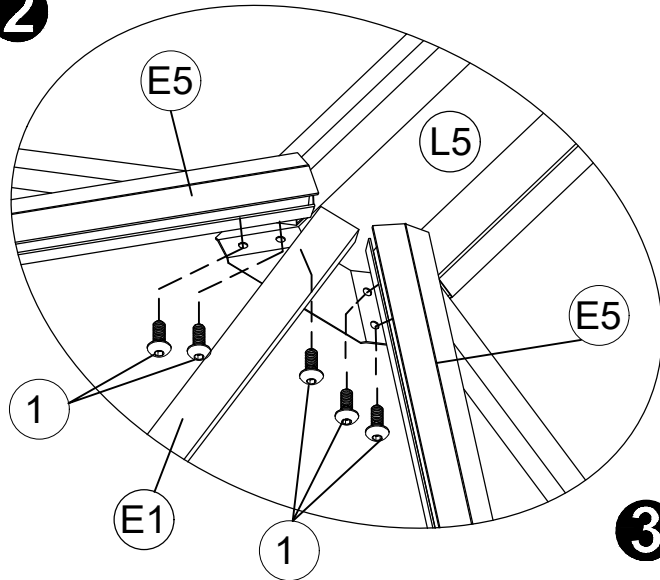


Note:
 1. Let one person stand on the ladder to lift "L5" and hold and let others fasten the screws connecting both ends of "E2"&"E3".
 2. Please do not let go of holding "L5" until all the "E2"&"E3" screws are installed.

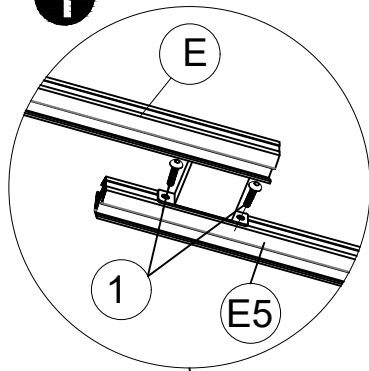
-  **E1** 2x
-  **E** 4x
-  **E5** 4x
-  **1** 26x M6x15

<9>

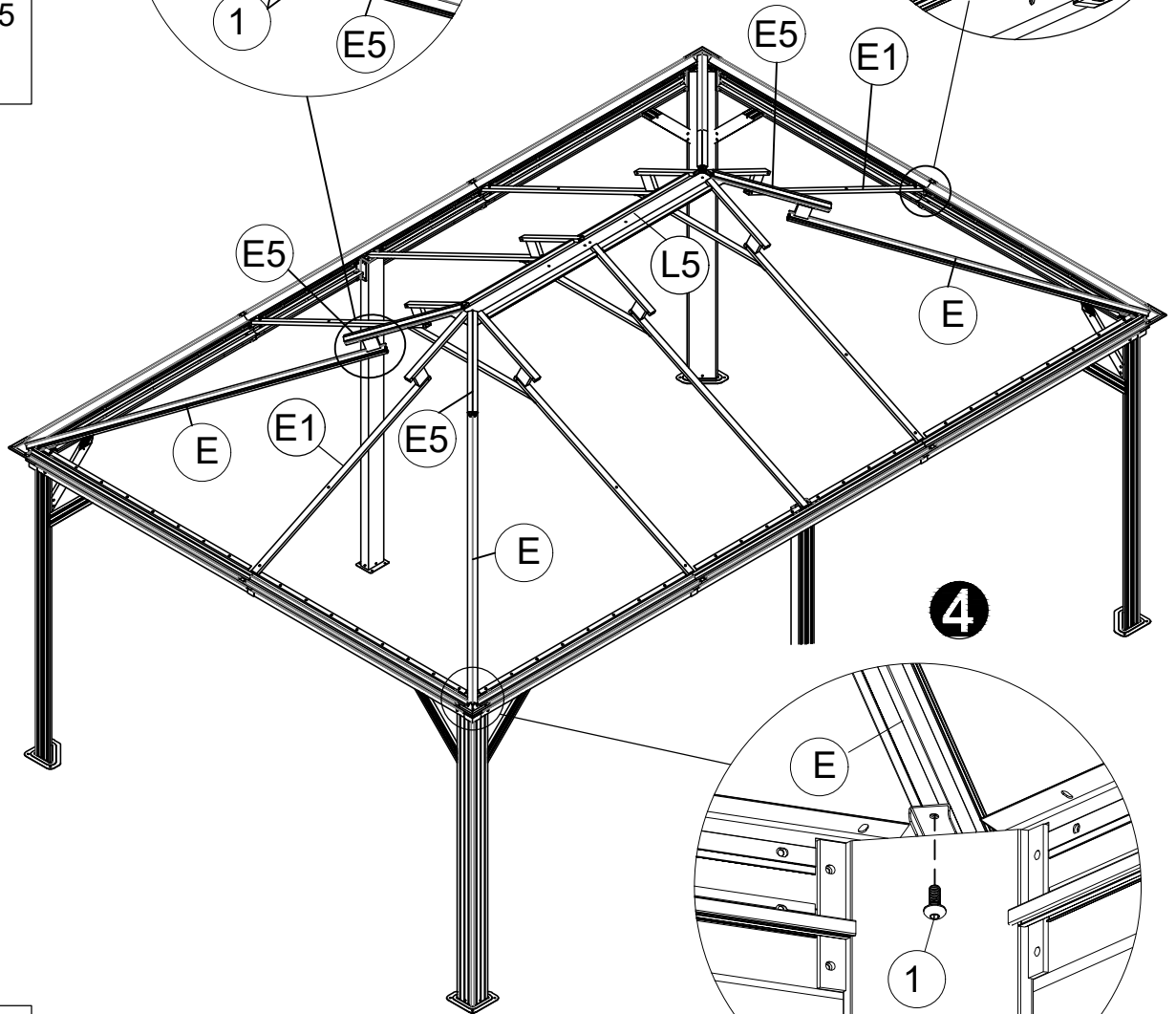
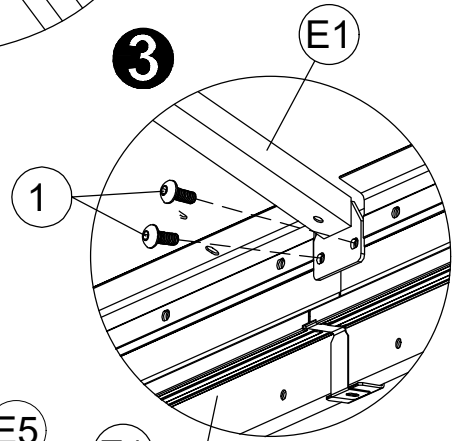
2



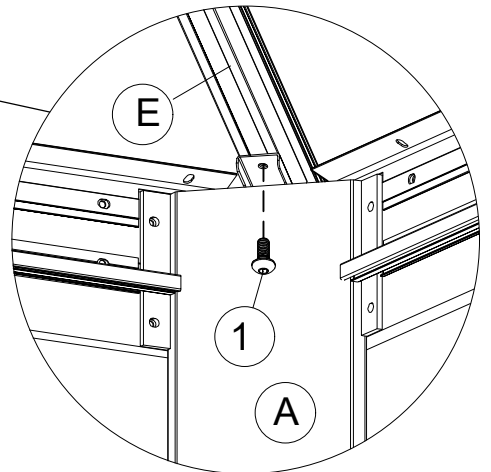
1



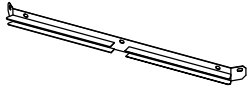
3



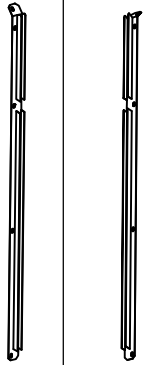
4



<10>



11 2x



17 2x

18 2x



N 4x

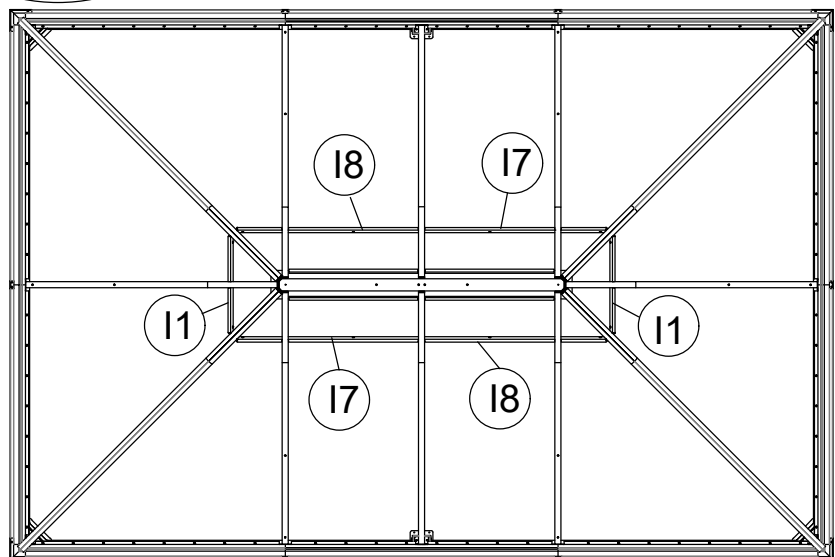
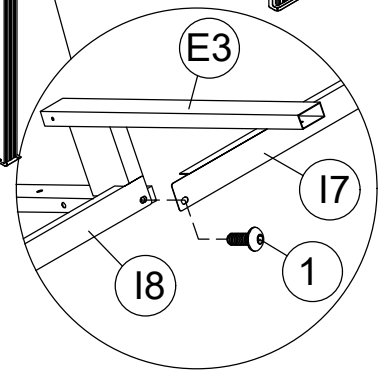
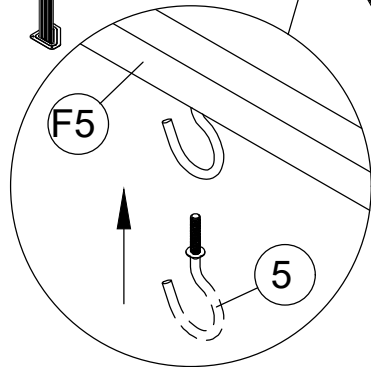
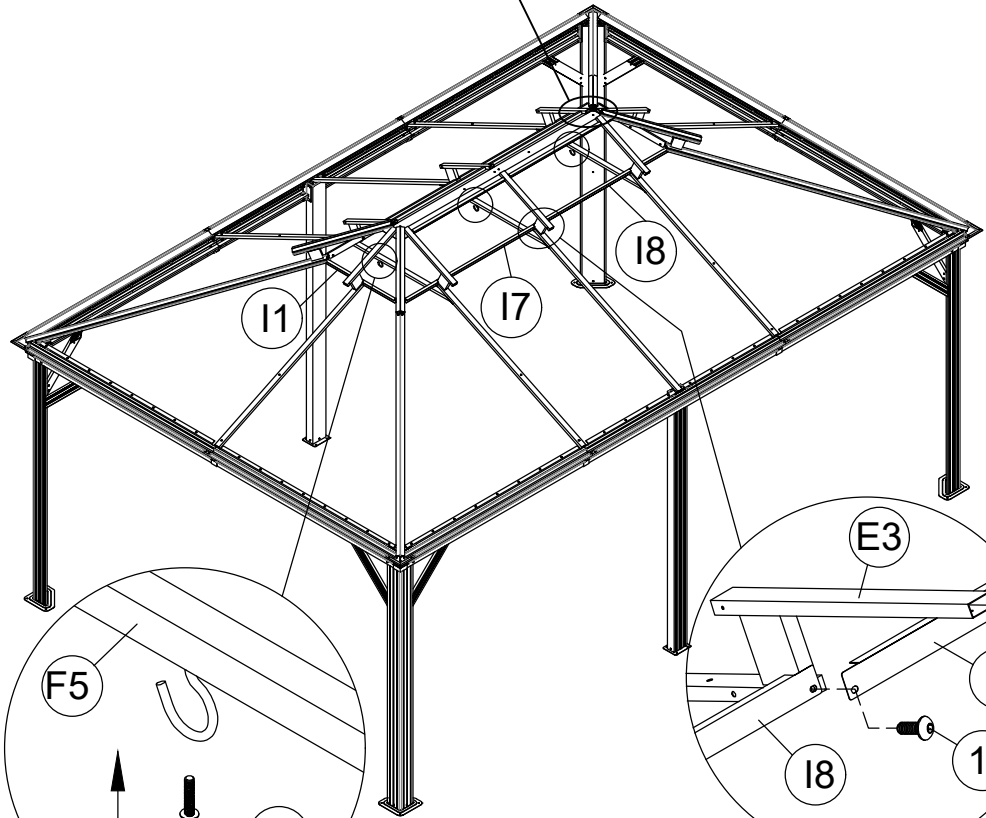
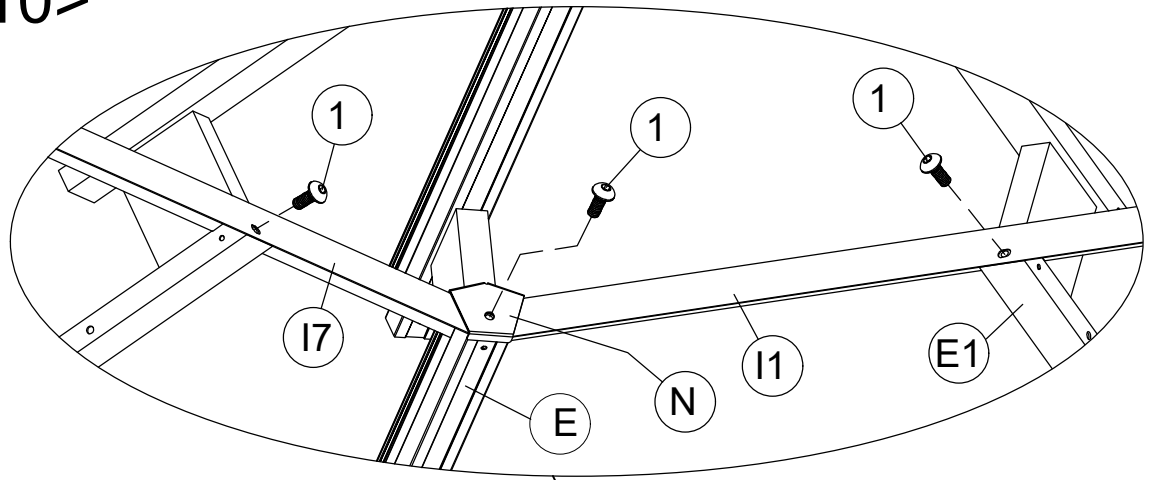


M6x15

1 12x

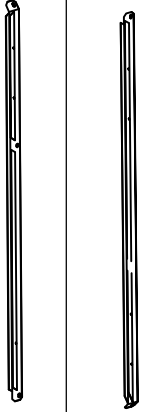


5 3x



<11>

G1 2x



G7 2x

G8 2x

N 4x

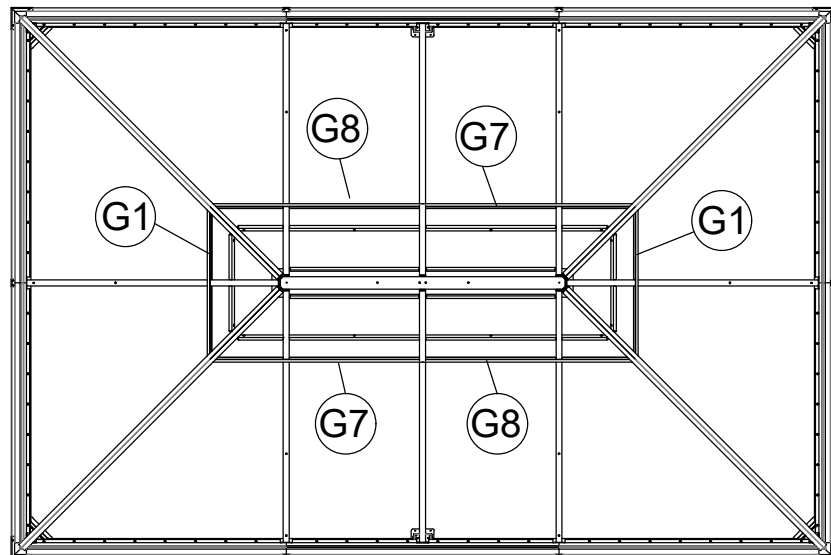
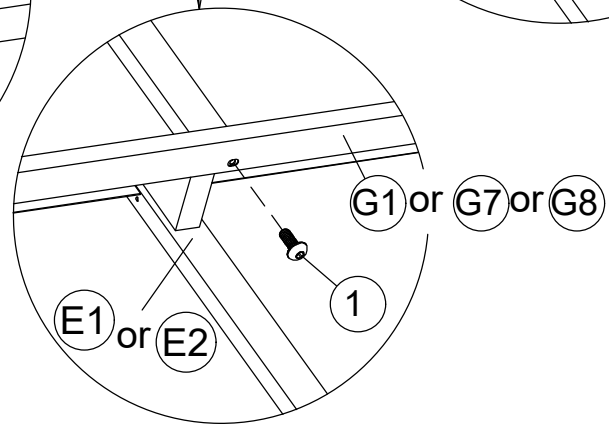
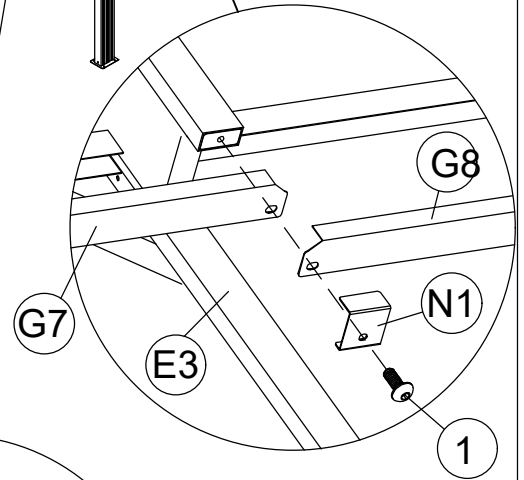
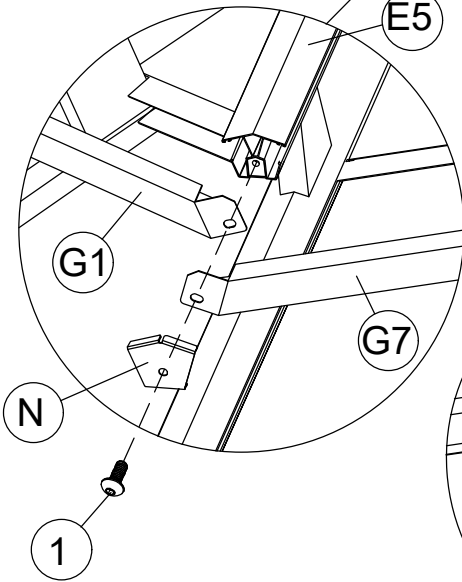
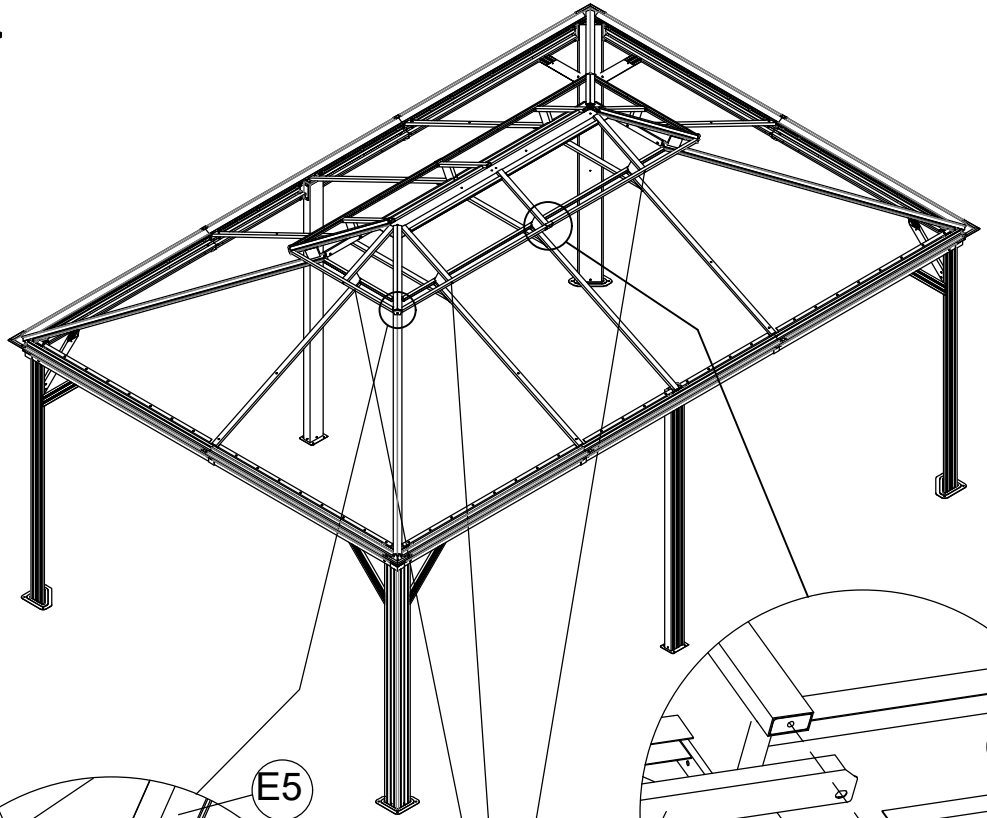


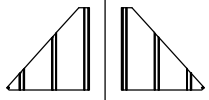
N1 2x



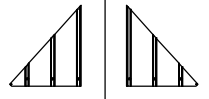
1 12x

M6x15

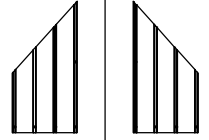




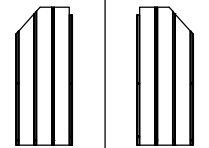
S1 2x S2 2x



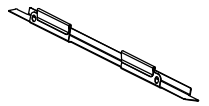
R1 2x R2 2x



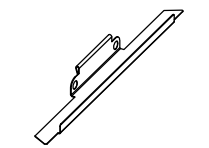
R3 2x R4 2x



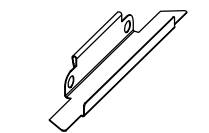
R5 2x R6 2x



Z 32x

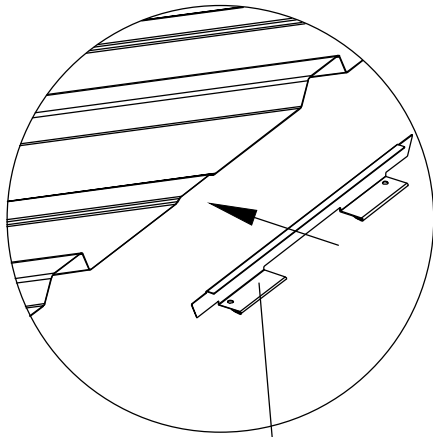


Z1 4x

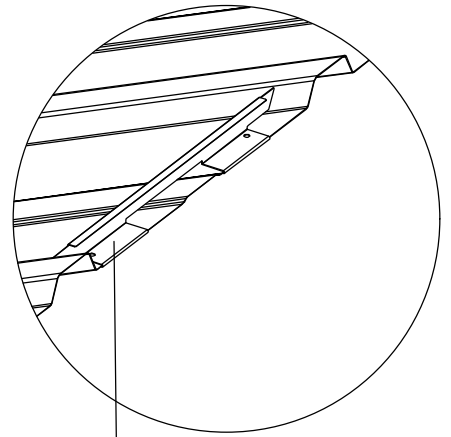
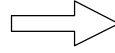


Z2 4x

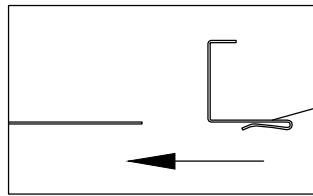
<12>



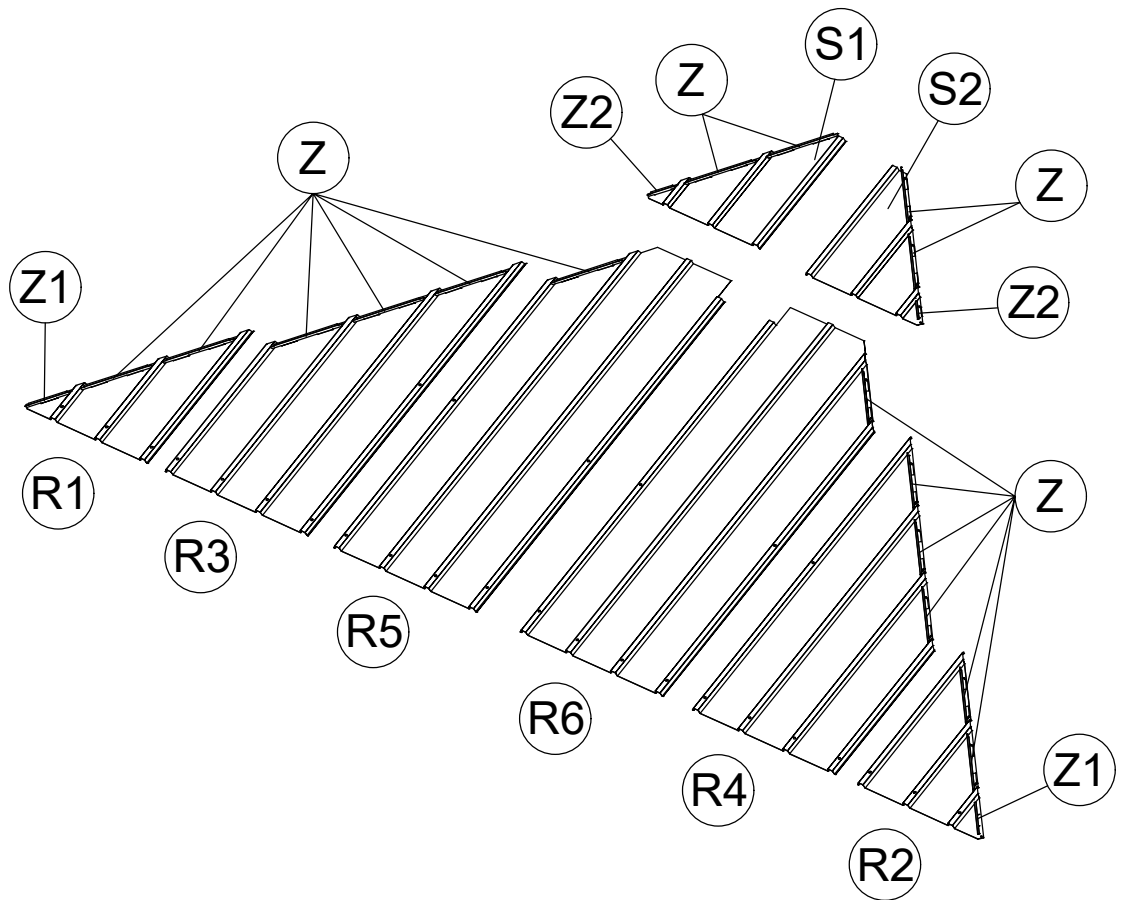
Z or Z1 or Z2

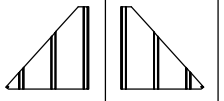


Z or Z1 or Z2

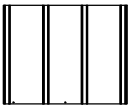


Z or Z1 or Z2





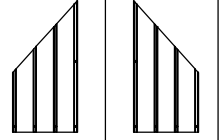
(S1) 2x (S2) 2x



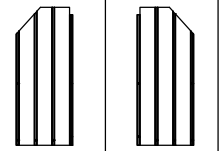
(S3) 8x



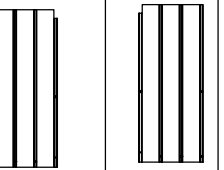
(R1) 2x (R2) 2x



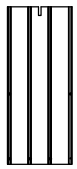
(R3) 2x (R4) 2x



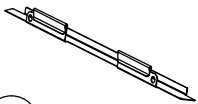
(R5) 2x (R6) 2x



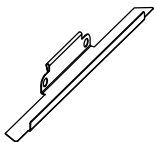
(R8) 2x (R9) 2x



(R10) 2x



(Z) 32x

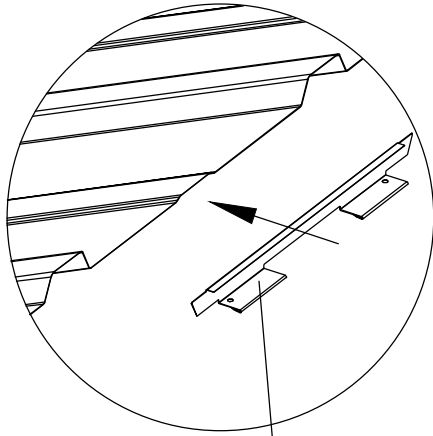


(Z1) 4x

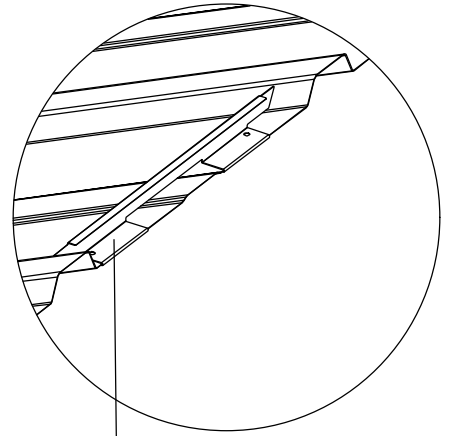


(Z2) 4x

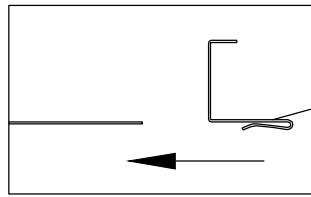
<13>



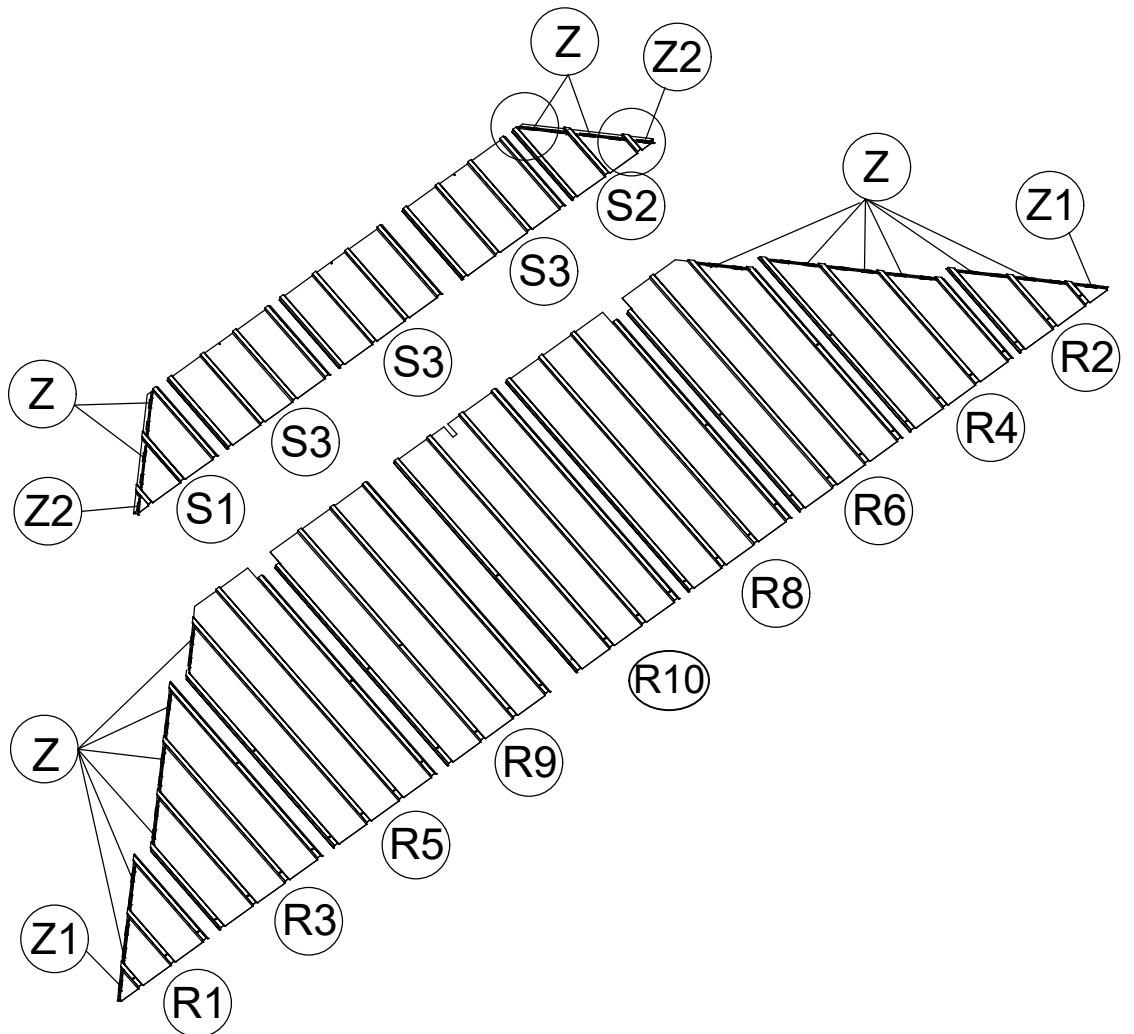
(Z) or (Z1) or (Z2)



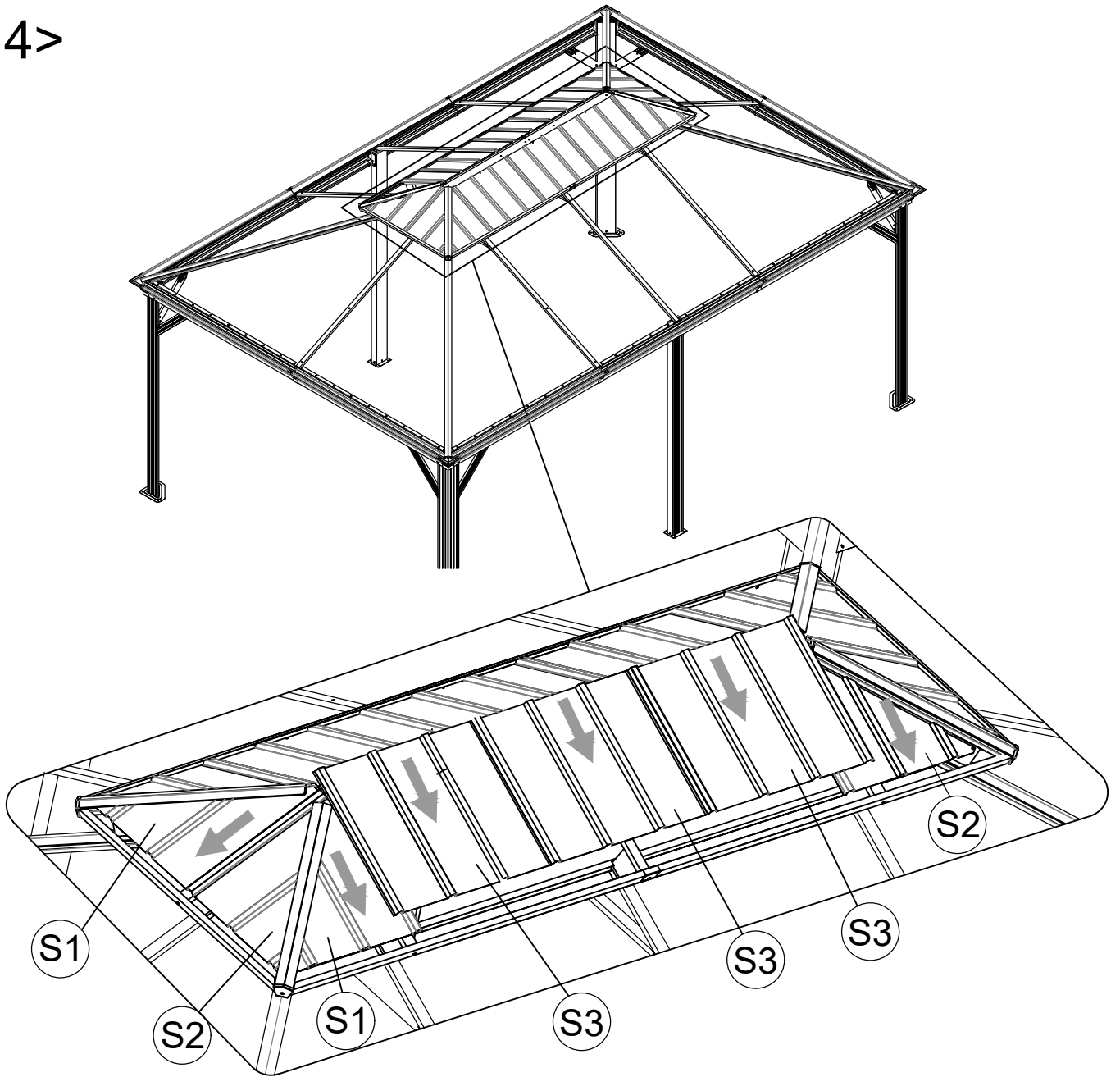
(Z) or (Z1) or (Z2)



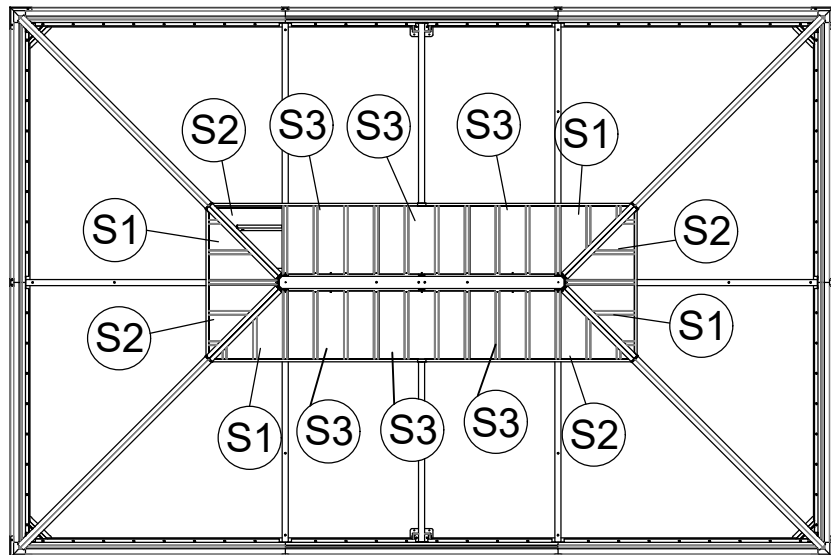
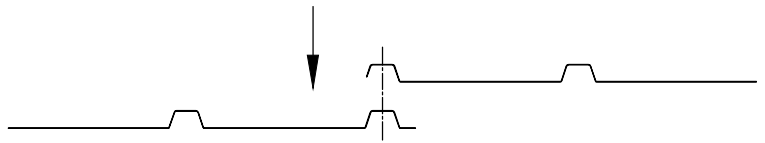
(Z) or (Z1) or (Z2)



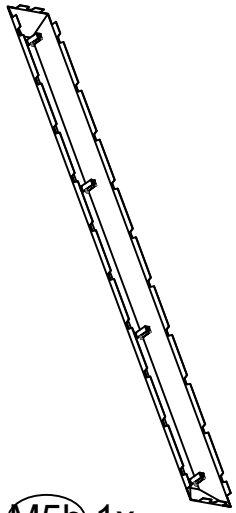
<14>



When installing the Roof plates (S2) onto short side, pls detach the right end of Roof Rib(G1) first. And then install the right end of Roof Rib (G1) again after S2 is installed.



<15>



(M5b) 1x

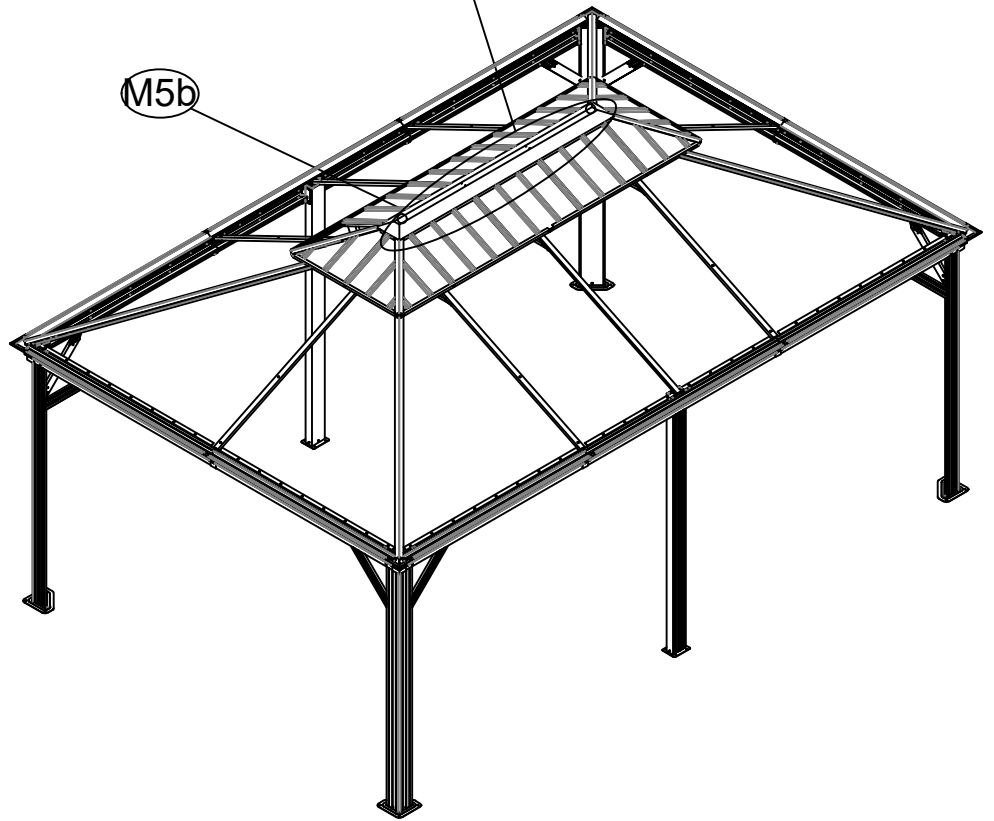
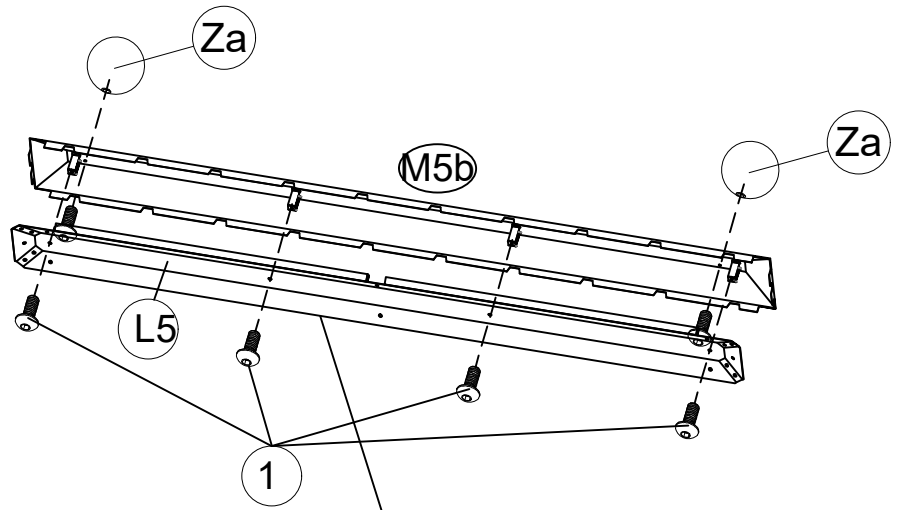


M6x15

(1) 6x

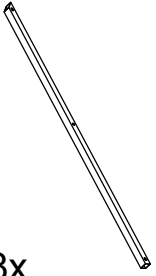


(Za) 2x

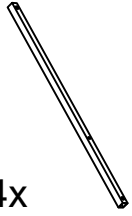


<16>

F1 8x



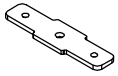
F4 4x



W4x

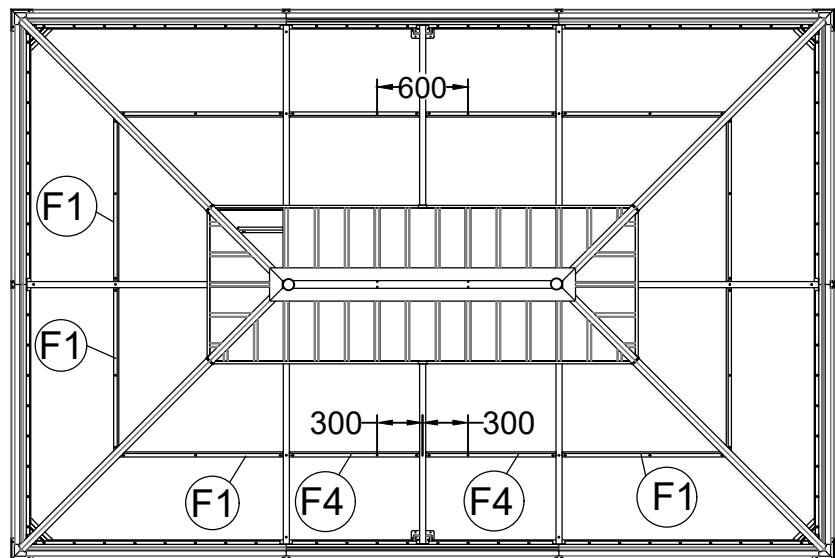
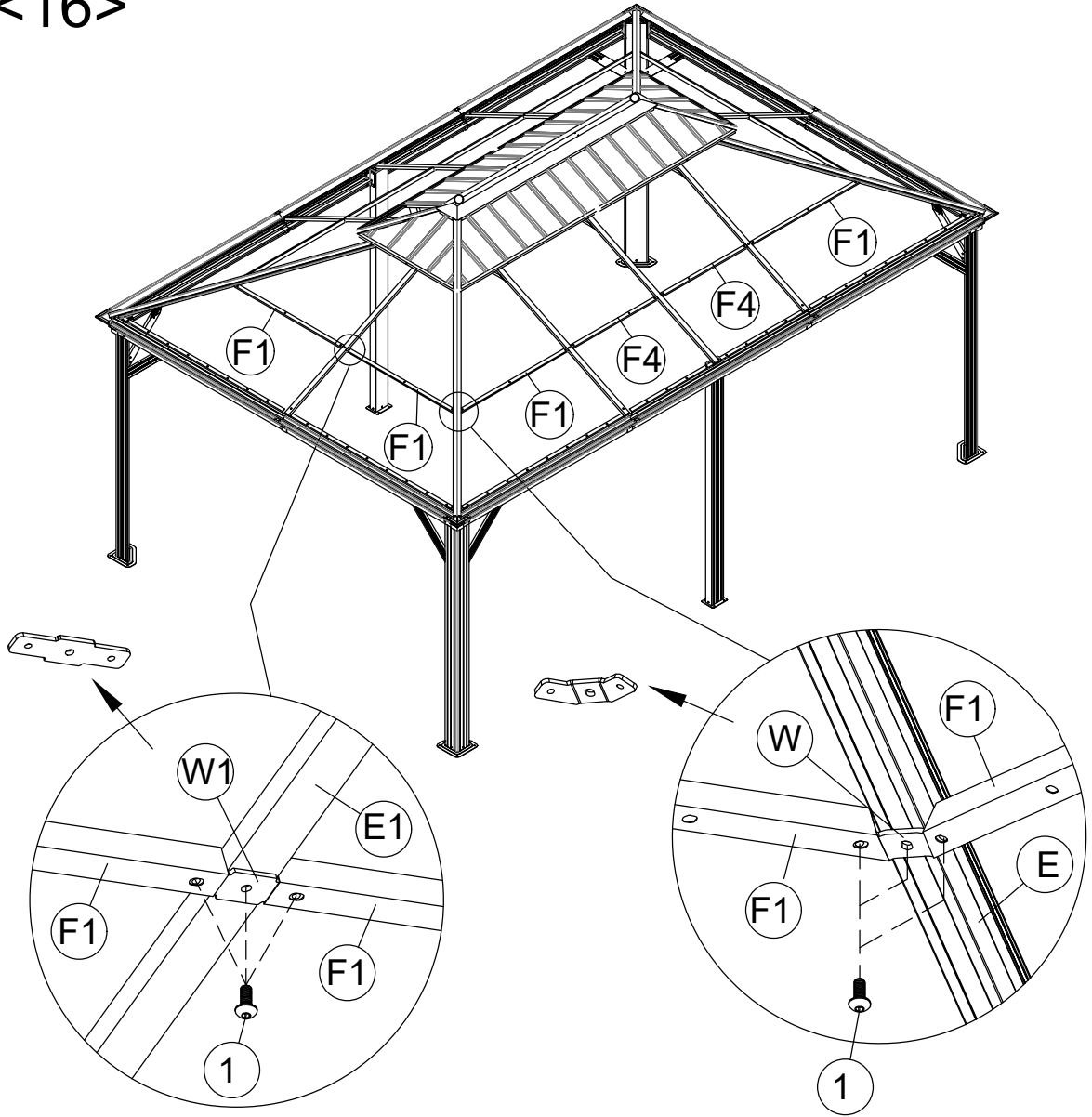


W1 8x

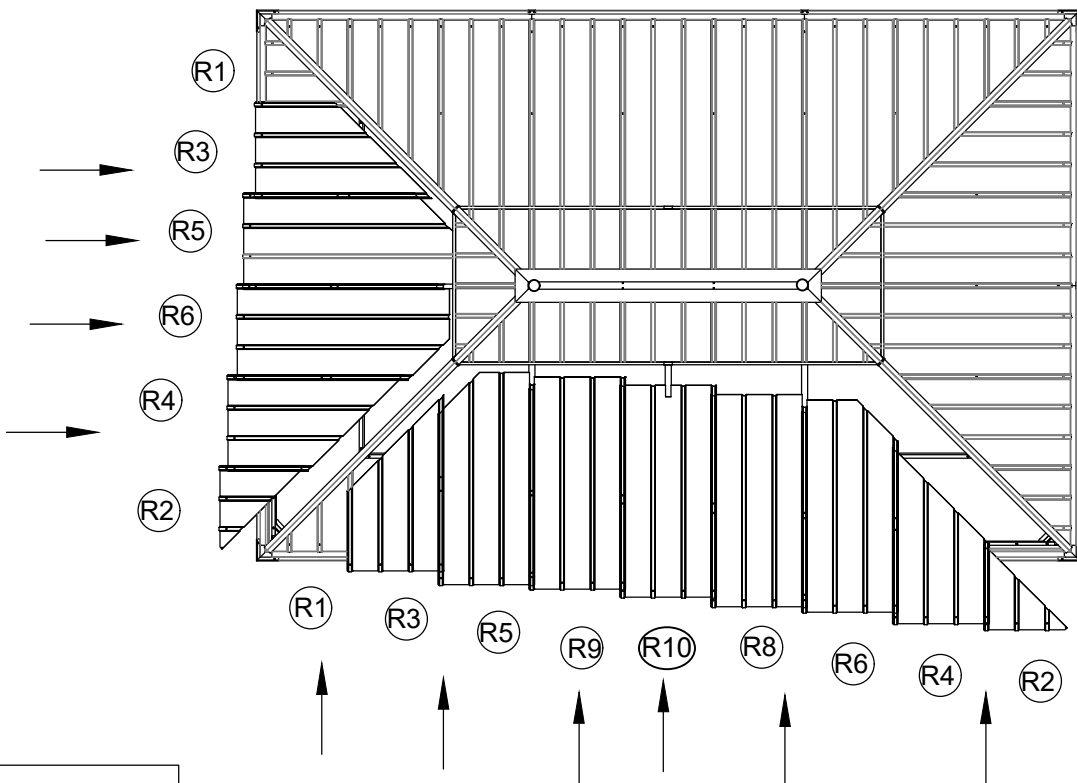
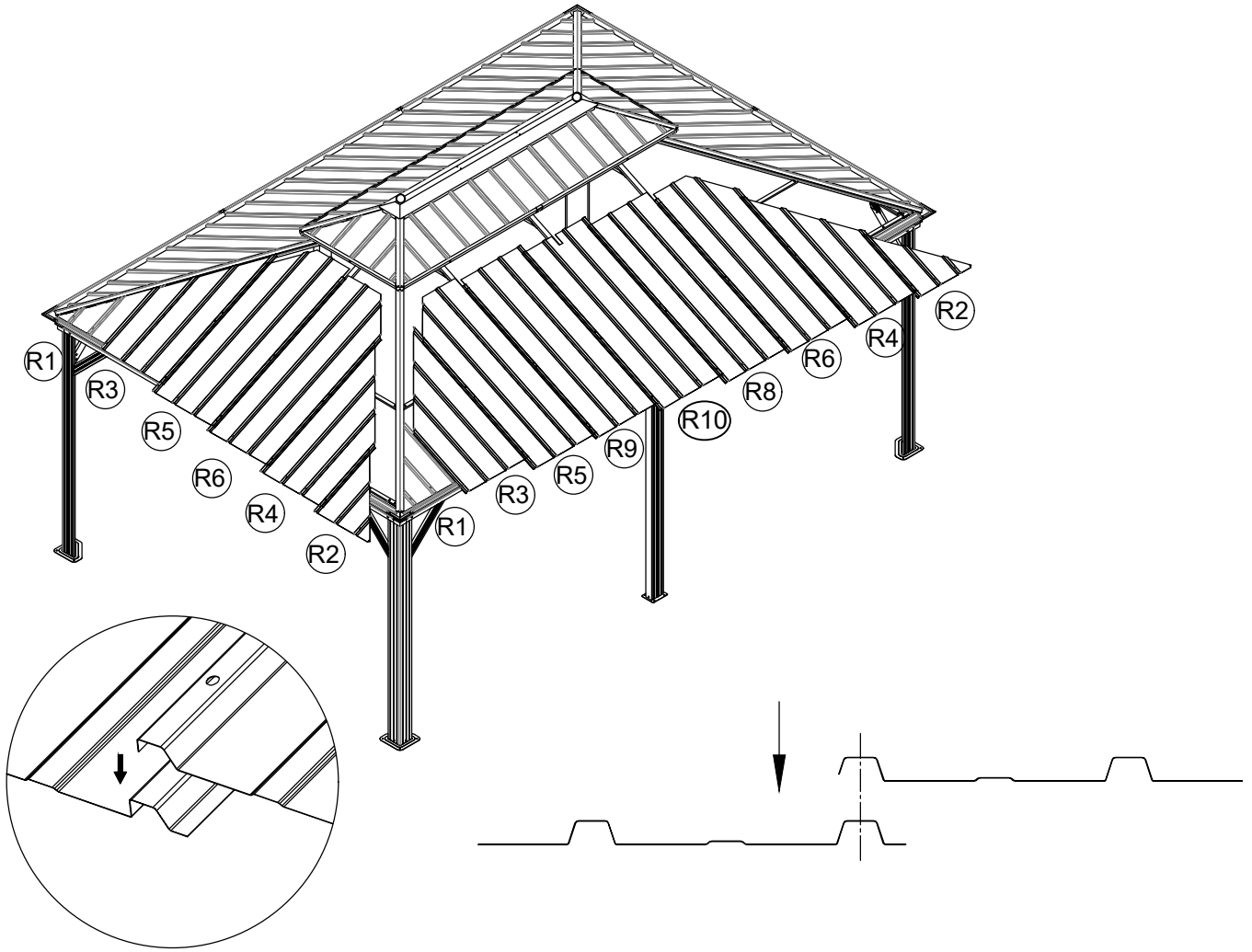


1 36x

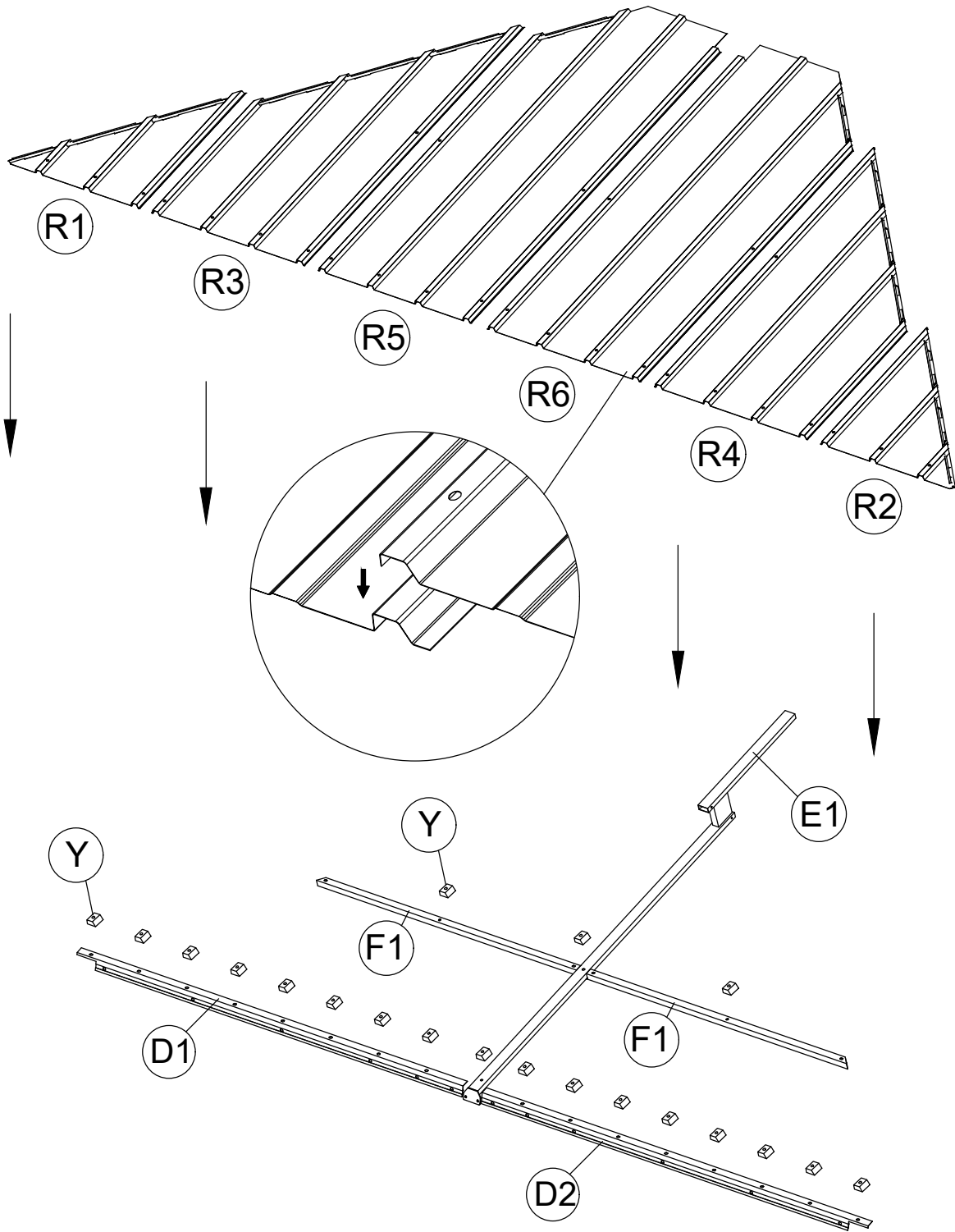
M6x15



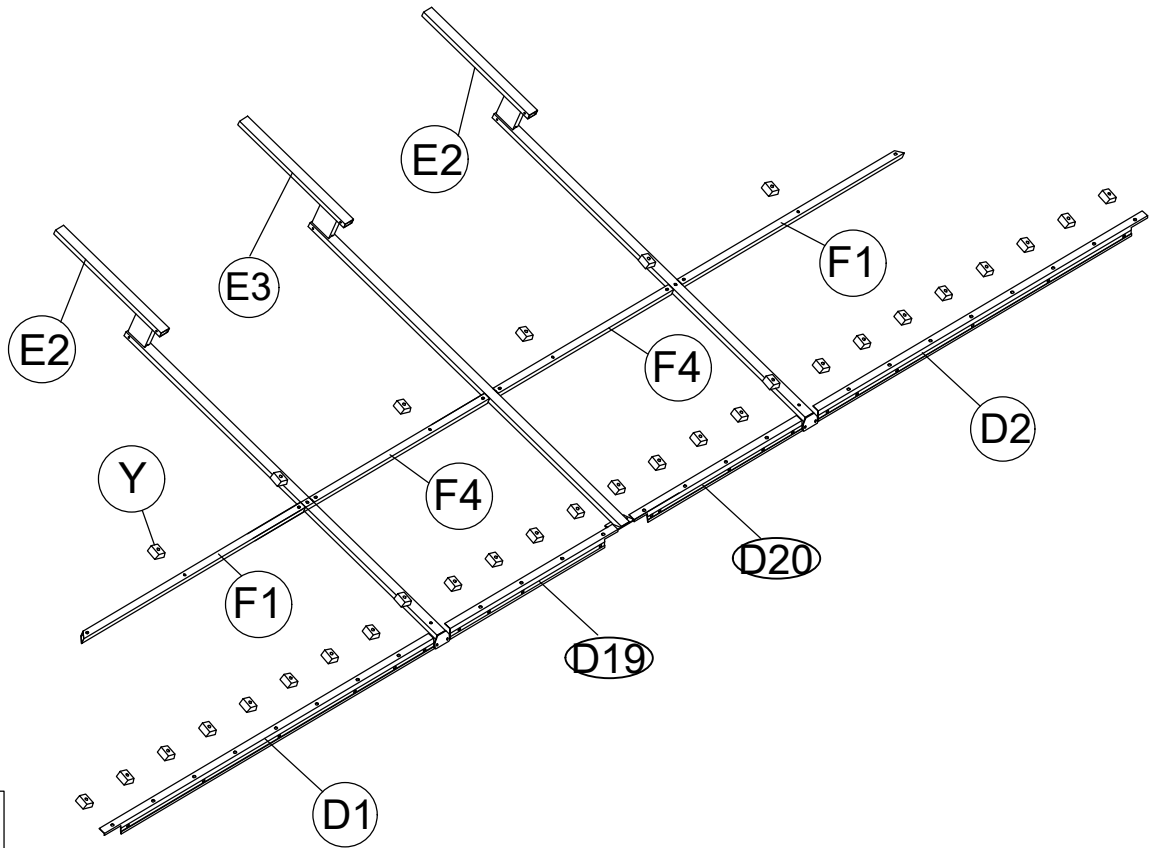
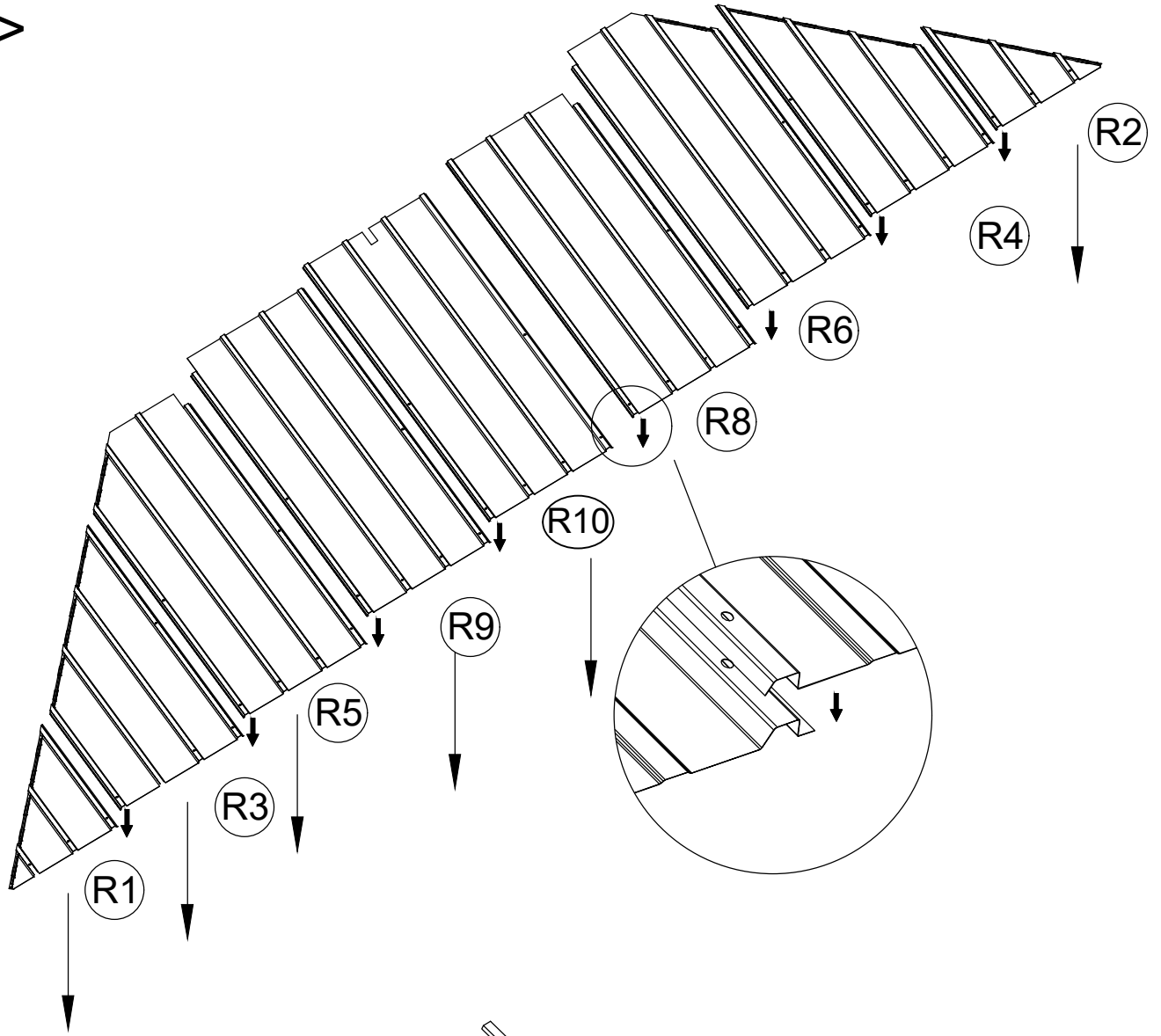
<17>

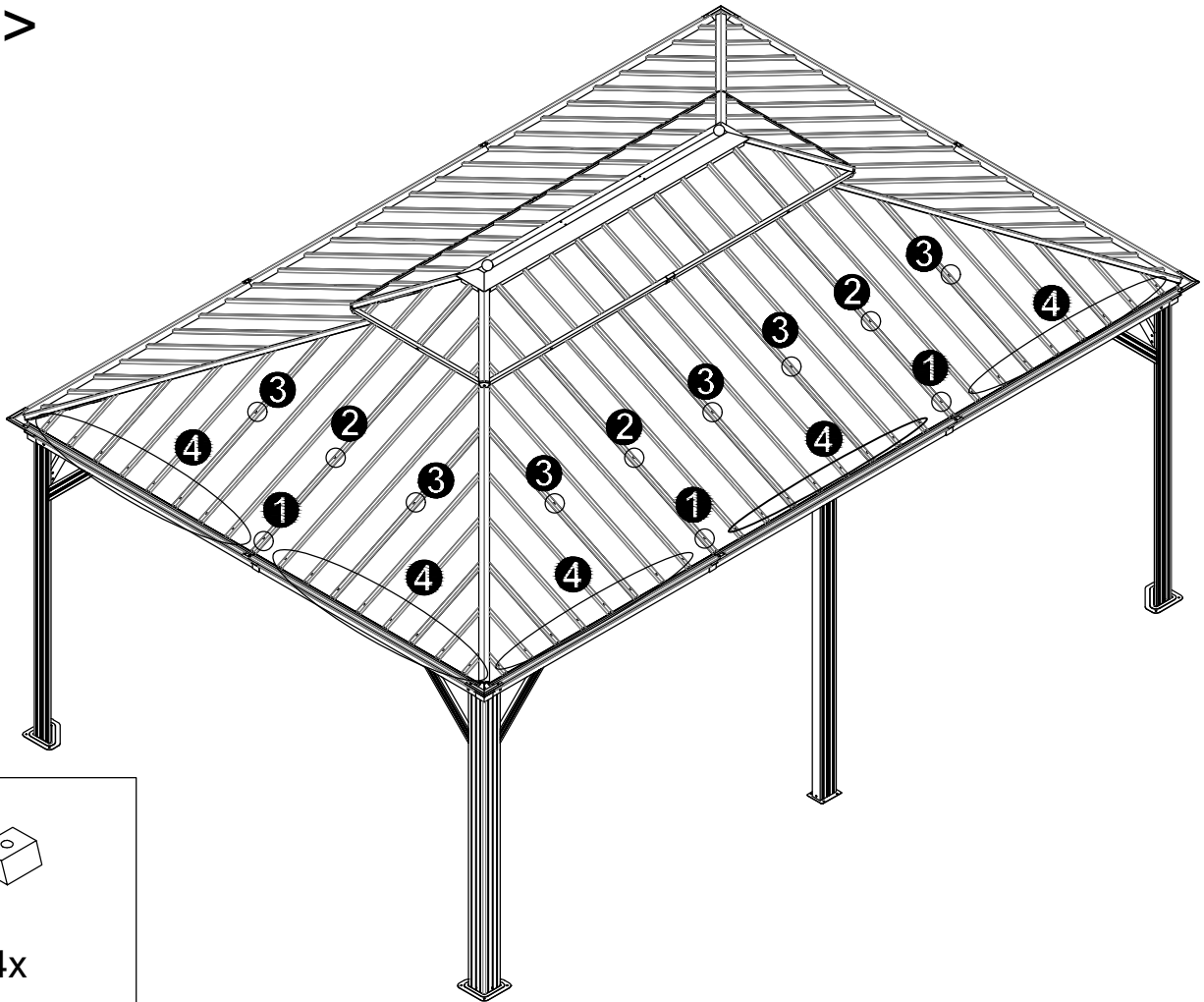


<18>



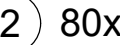

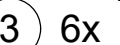

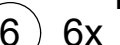

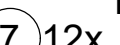


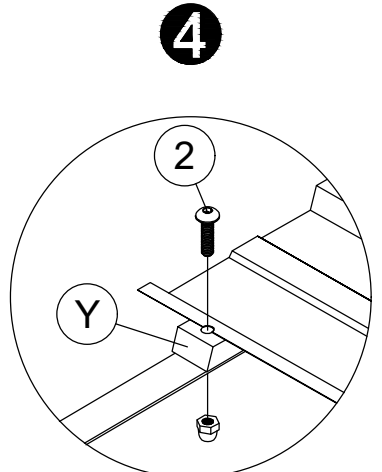
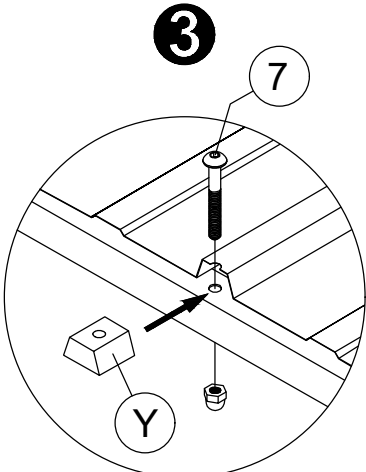
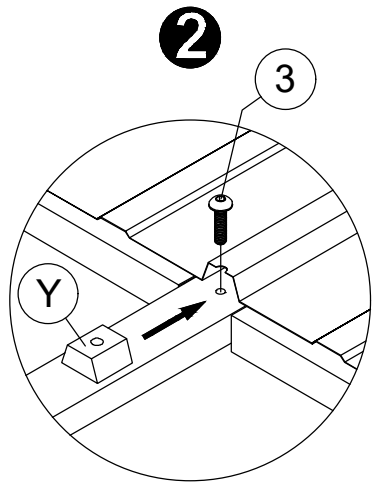
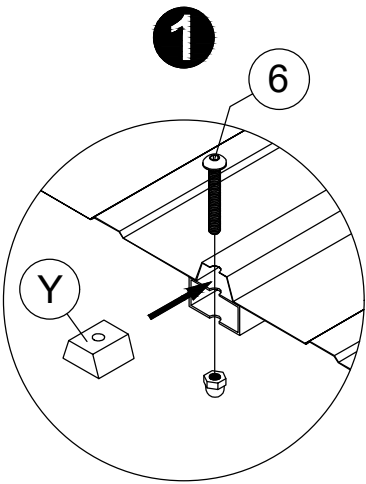
<19>

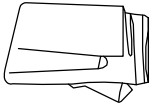




Note: When installing the roof top plates, if the roof plates are slightly uneven, please press the screws from the top of the plates until the bottom screw thread is exposed by 3 to 4mm, and then screw on the nut.

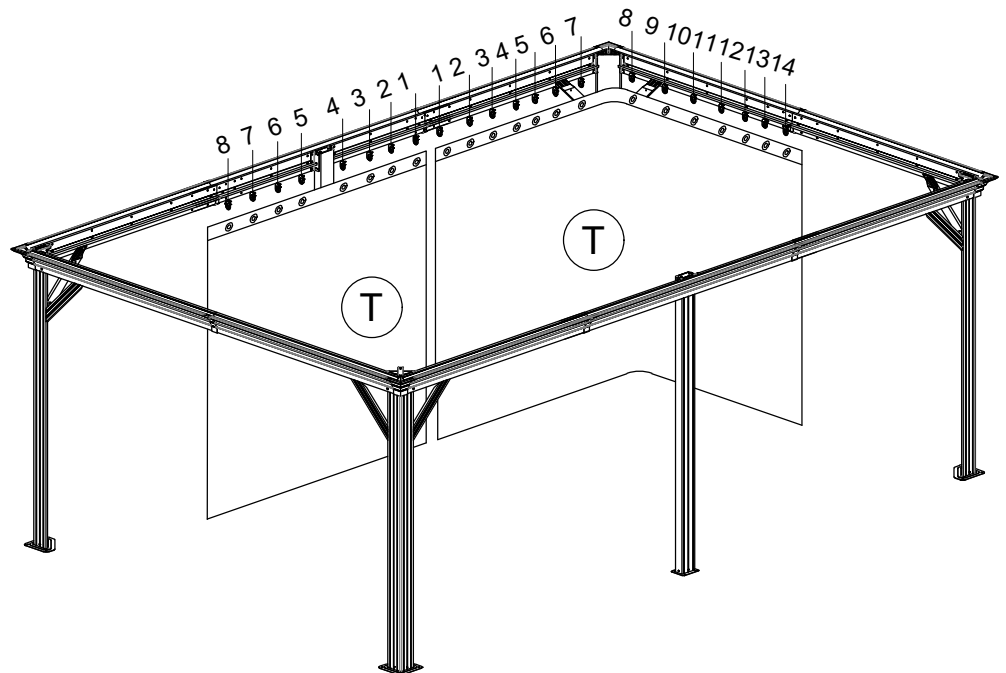
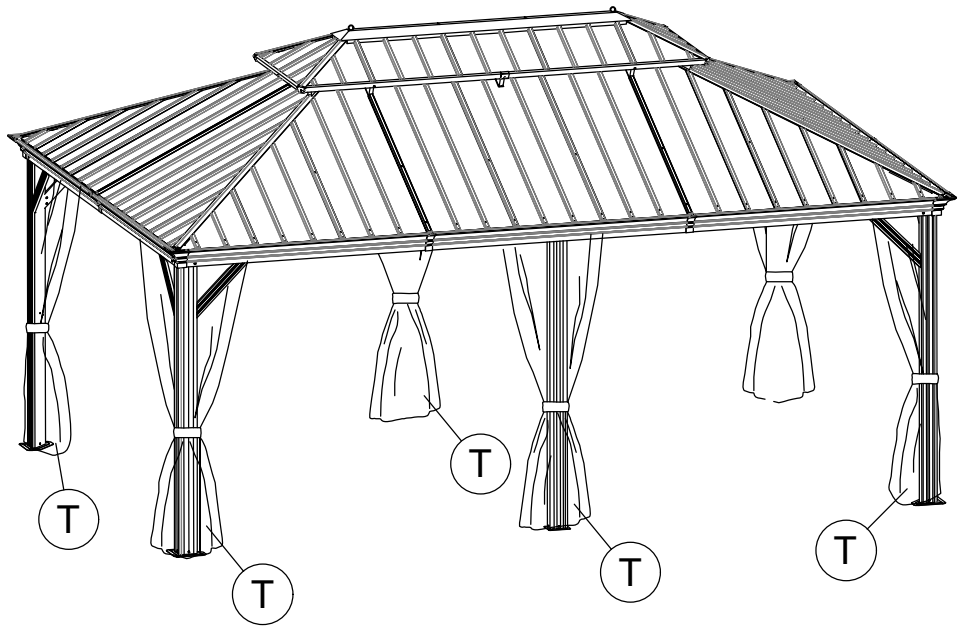
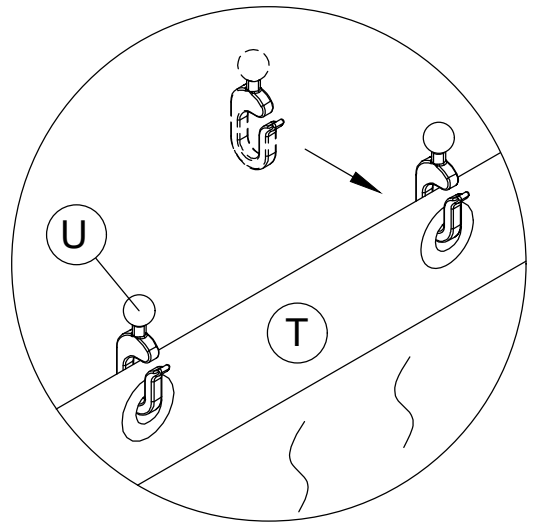
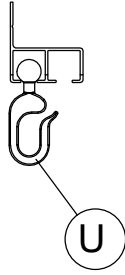
-  Y 104x
-  M6x23
-  2 80x
-  M6x25
-  3 6x
-  M6x42
-  6 6x
-  M6x47
-  7 12x

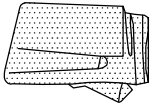




<21>

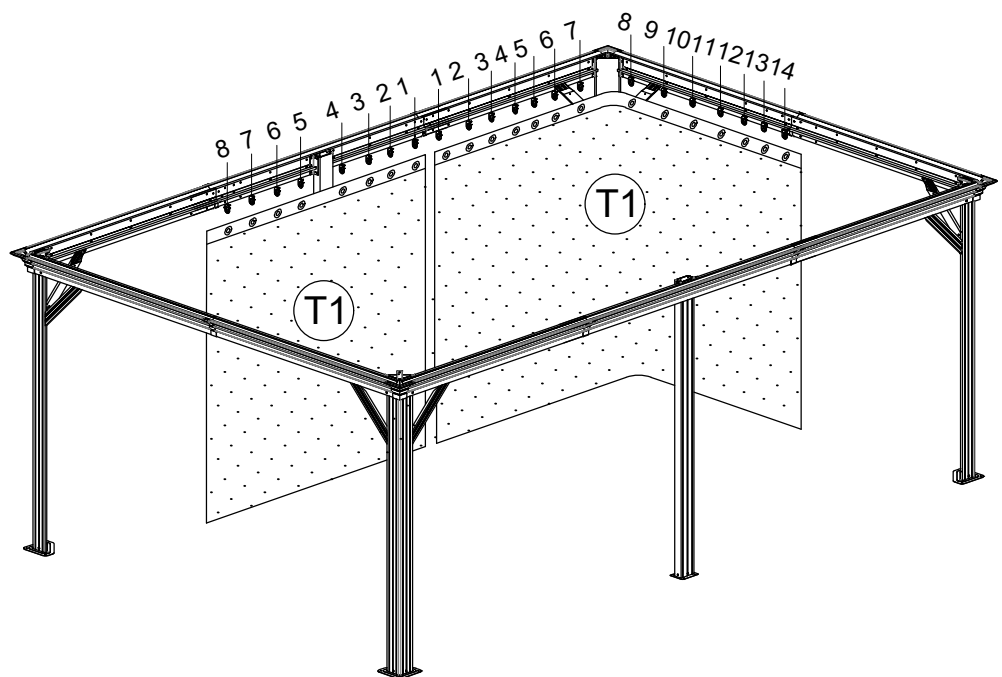
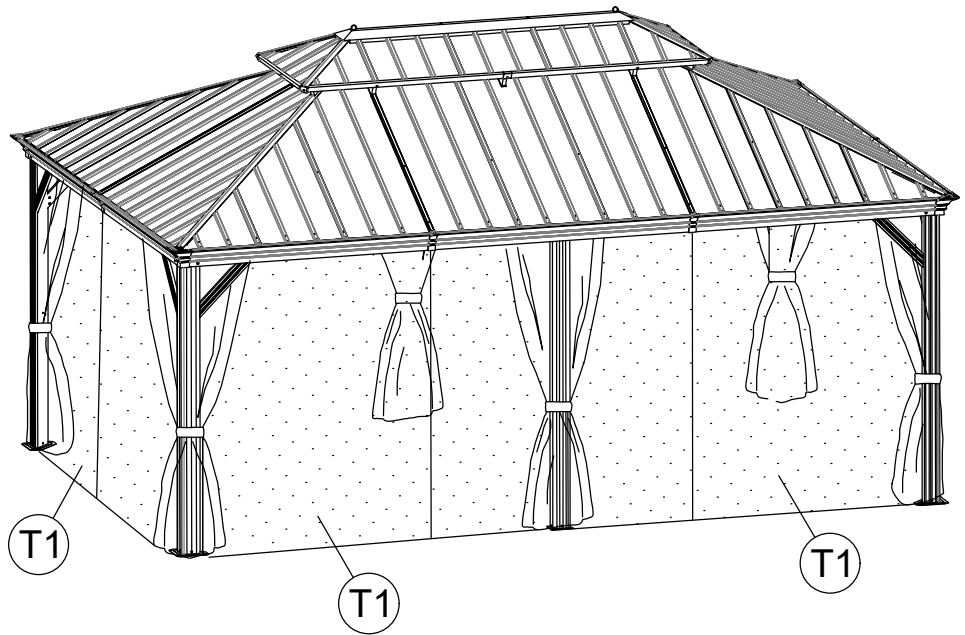
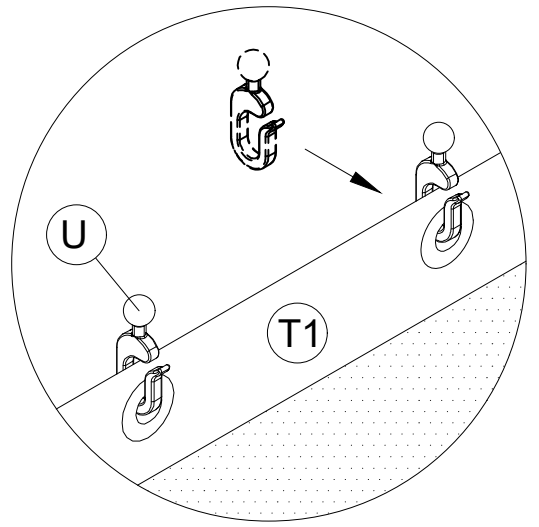
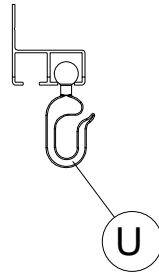
T 4x + 2x



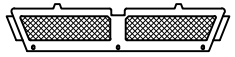


<22>

T1 4x + 2x



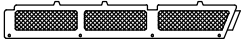
<23>



V1 2x



V5a 2X

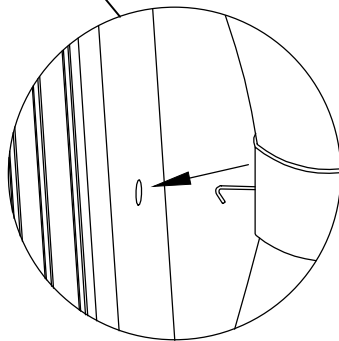
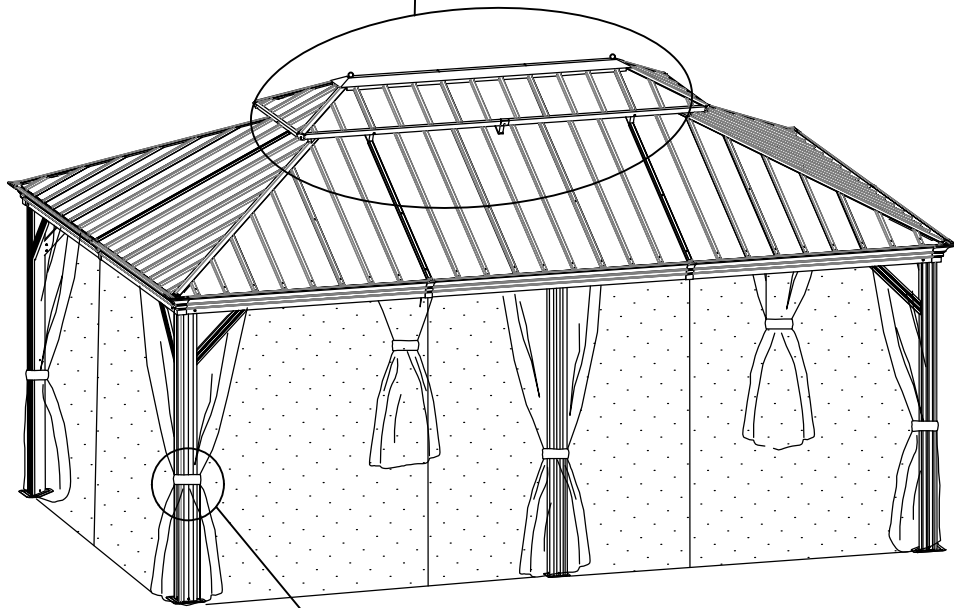
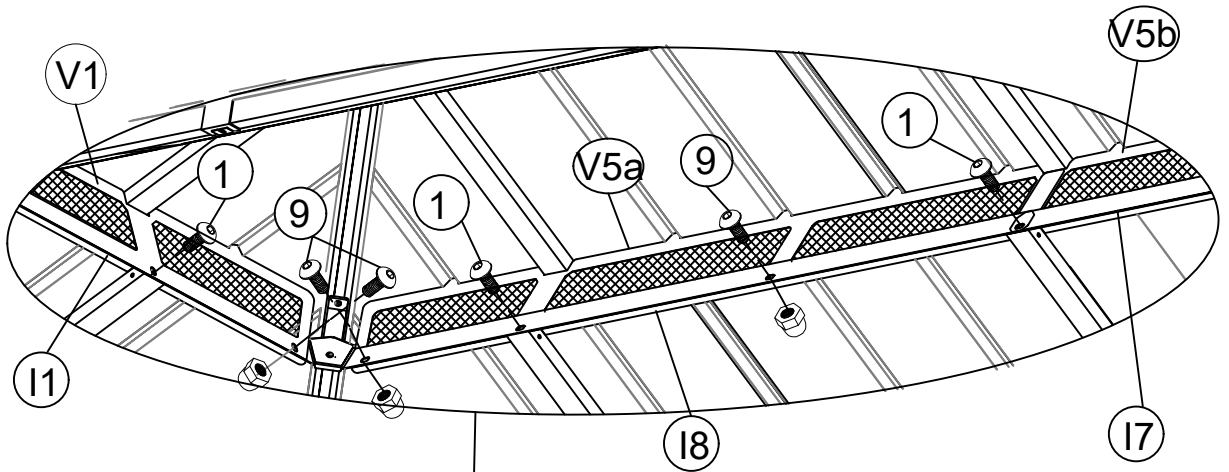


V5b 2x



M6x10

9 12x



| Carton-1/5 | | Carton-3/5 | | Carton-3/5 | |
|--------------------------------------|-----|------------|-------|------------|-------|
| Part | Qty | Part | Qty | Part | Qty |
| A | 4 | L5 | 1 | Za | 2 |
| A1 | 2 | M5b | 1 | W3 | 8 |
| E | 4 | B8 | 2 | W4 | 8 |
| E5 | 4 | D1 | 4 | T1 | 4 + 2 |
| E1 | 2 | D2 | 4 | | |
| E2 | 4 | D19 | 2 | | |
| E3 | 2 | D20 | 2 | Carton-4/5 | |
| Y | 104 | F5 | 3 | Part | Qty |
| U | 144 | G1 | 2 | R8 | 2 |
| Z | 64 | G7 | 2 | R9 | 2 |
| Z1 | 8 | G8 | 2 | R10 | 2 |
| Z2 | 8 | I1 | 2 | R5 | 4 |
| | | I7 | 2 | R6 | 4 |
| | | I8 | 2 | | |
| Carton-2/5 | | H | 4 | | |
| Part | Qty | H1 | 4 | | |
| B1 | 4 | J | 4 | | |
| B2 | 4 | J1 | 2 | Carton-5/5 | |
| C1 | 4 | K | 4 | Part | Qty |
| C2 | 4 | K1 | 6 | R1 | 4 |
| C11 | 2 | N | 8 | R2 | 4 |
| C12 | 2 | N1 | 2 | R3 | 4 |
| F1 | 8 | V | 6 | R4 | 4 |
| F4 | 4 | W | 4 | S1 | 4 |
| P | 6 | W1 | 8 | S2 | 4 |
| 1.2.3.4.5.6.7.8. 9.10.12.13.14.15 | 1 | V1 | 2 | S3 | 6 |
| | | V5a | 2 | | |
| | | V5b | 2 | | |
| | | T | 4 + 2 | | |