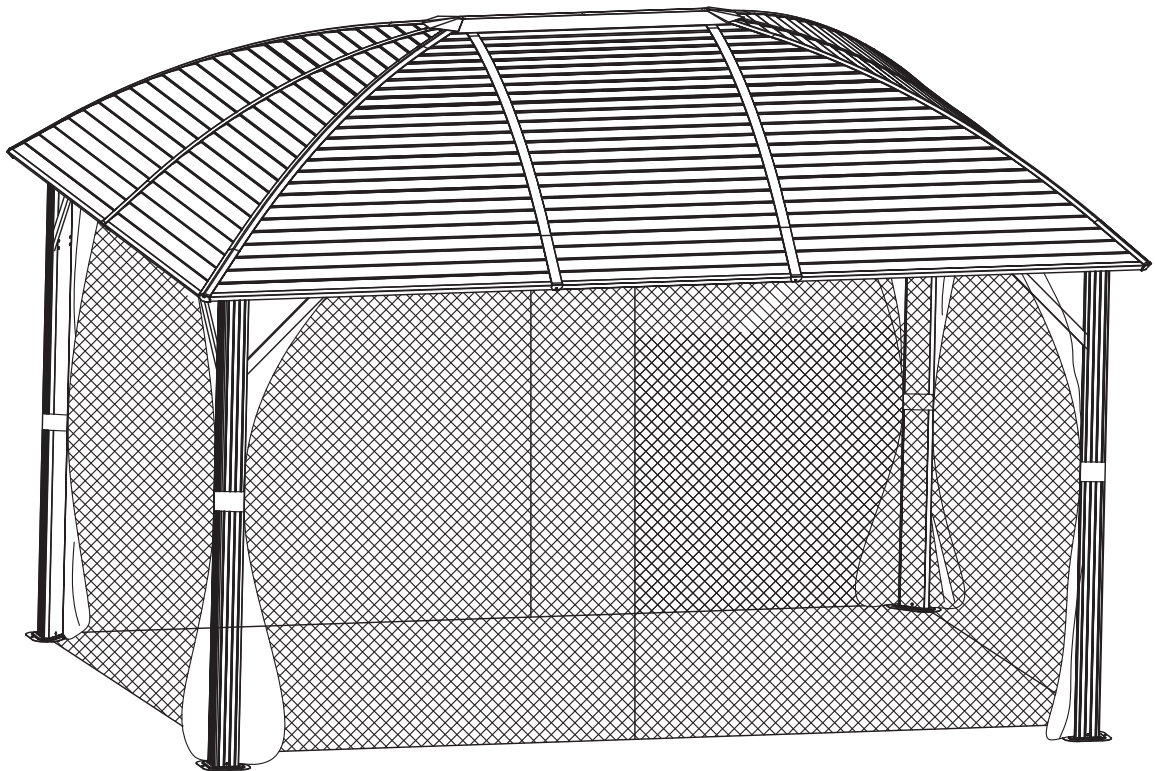


INSTRUCTION MANUAL

SKU: XWG-281TN

10FT X 13FT GAZEBO



Note: The gazebo needs to be installed in cooperation with four people. The following tools are not included and needed for assembly:



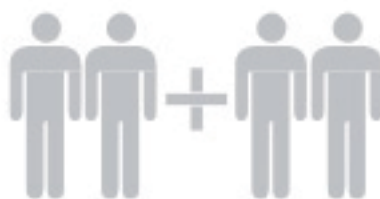
Pistol Drill



Tape Measure



2 m Adjustable Ladder





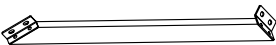

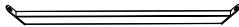








4 people





Warning

1. Four person assembly is required for this gazebo.
2. Please take appropriate actions as heavy rain, wind and snow can damage the gazebo. If necessary please disassemble and store for later use.
3. In snowy conditions, please do not allow the thickness of the snow to be more than 5 inches on the roof, this should be cleared as soon as possible for your safety. When the wind speed reaches 61.2km/h, please take measures to avoid the wind.




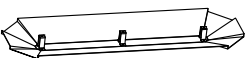


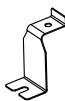
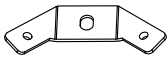
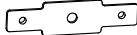

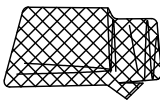

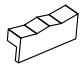
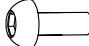
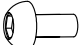
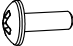
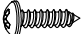
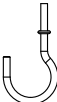
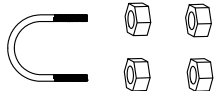


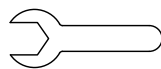
PARTS LIST (BOX A)

A	B1	B2	C1
			
4 PCS	2 PCS	2 PCS	4 PCS
D1	D2	D3	E
			
4 PCS	4 PCS	4 PCS	8 PCS
E1	F5	F6	F7
			
2 PCS	4 PCS	4 PCS	2 PCS
I			
			
4 PCS			


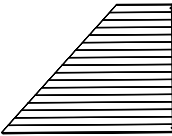
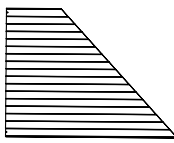
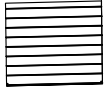
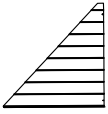
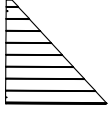
PARTS LIST (BOX B)

B3	B4	C2	G1
			
2 PCS	2 PCS	6 PCS	4 PCS



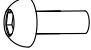

PARTS LIST (BOX B)

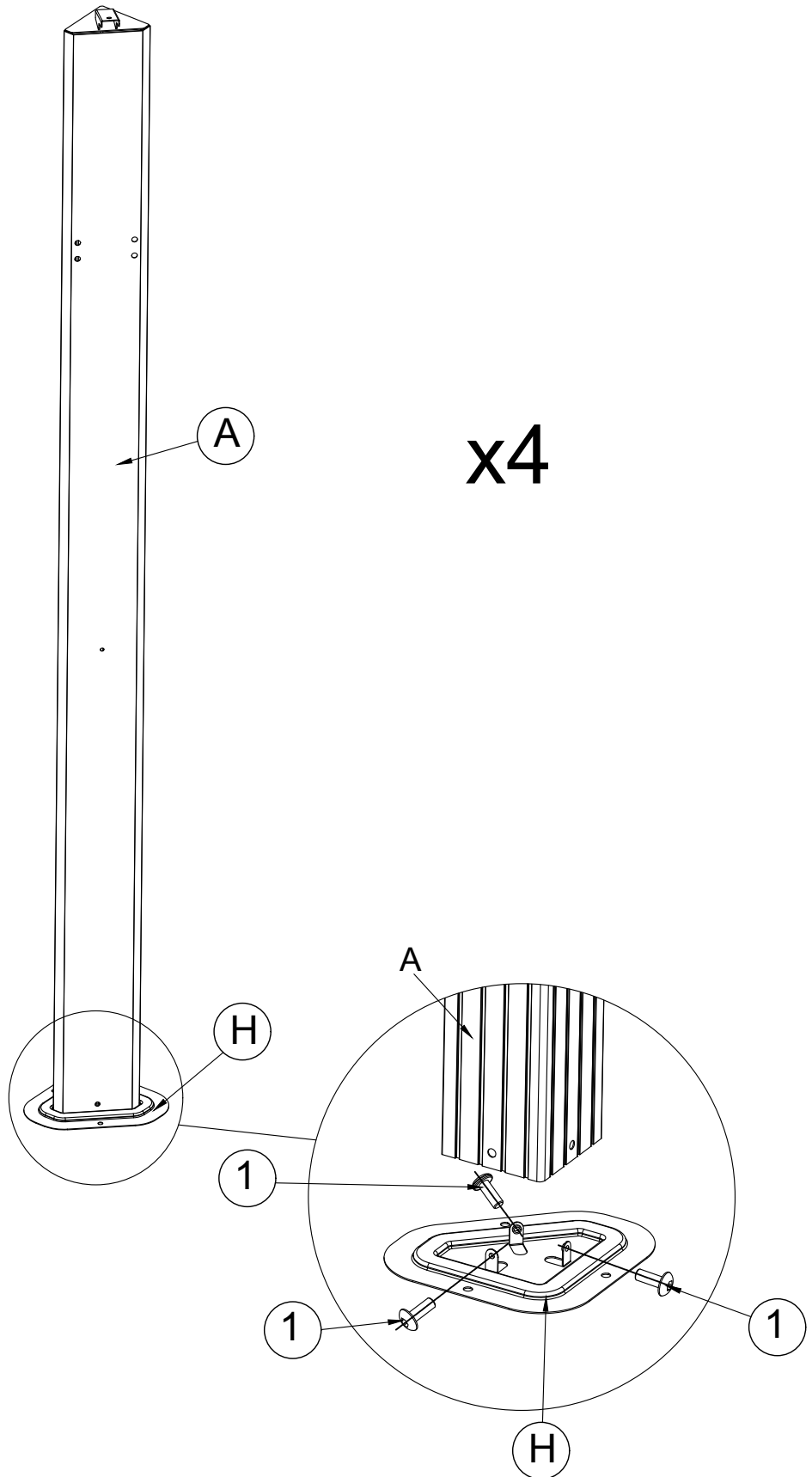
G2	H	J1	J2
			
4 PCS	4 PCS	1 PCS	1 PCS
K1	K2	L	M1
			
4 PCS	6 PCS	4 PCS	4 PCS
M2	T1	T2	U
			
6 PCS	4 PCS	4 PCS	112 PCS
V	1	2	3
	 M6x16	 M6x10	 M5x12
20 PCS	103 PCS	92 PCS	4 PCS
4	5	6	7
 ST4.8X13			 M6x60
24 PCS	2 PCS	1 PCS	12 PCS
			
2 PCS	1 PCS		

PARTS LIST (BOX C)






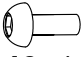
Q 	Q1 	Q2 	R 
2 PCS	4 PCS	4 PCS	2 PCS
R1 	R2 		
4 PCS	4 PCS		

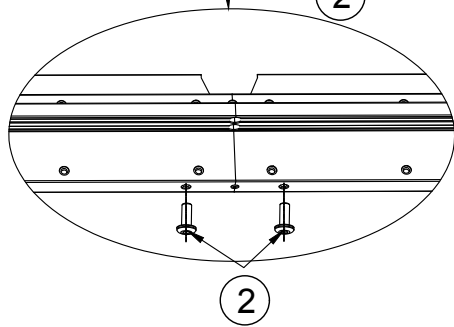
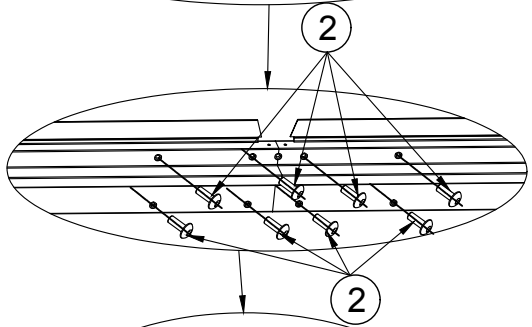
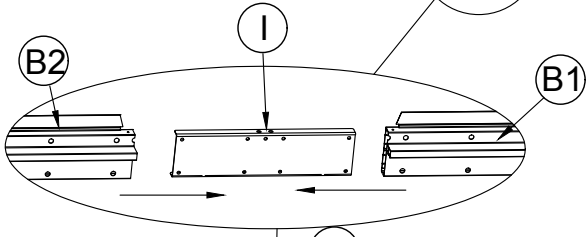
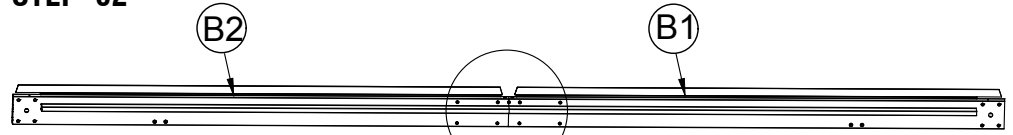
STEP 01

- 
A x 4
- 
H x 4
- 
M6x16
- 
1 x 12

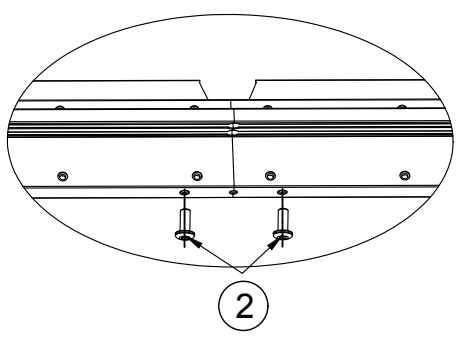
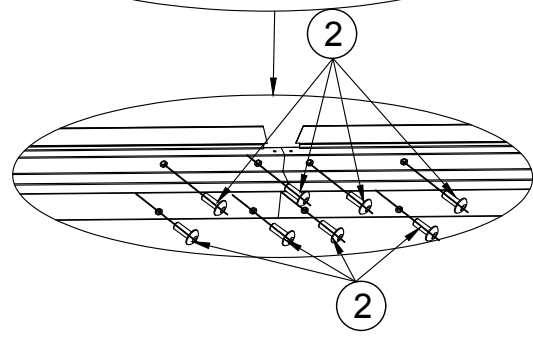
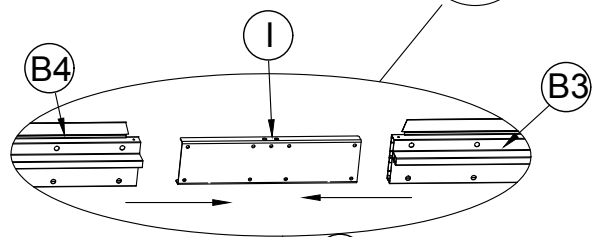
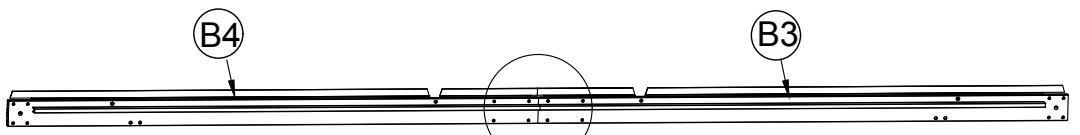


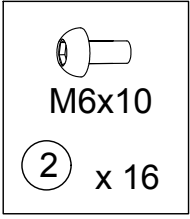
STEP 02

- 
B1 x 2
- 
B2 x 2
- 
B3 x 2
- 
B4 x 2
- 
I x 4
- 
M6x10
2 x 40



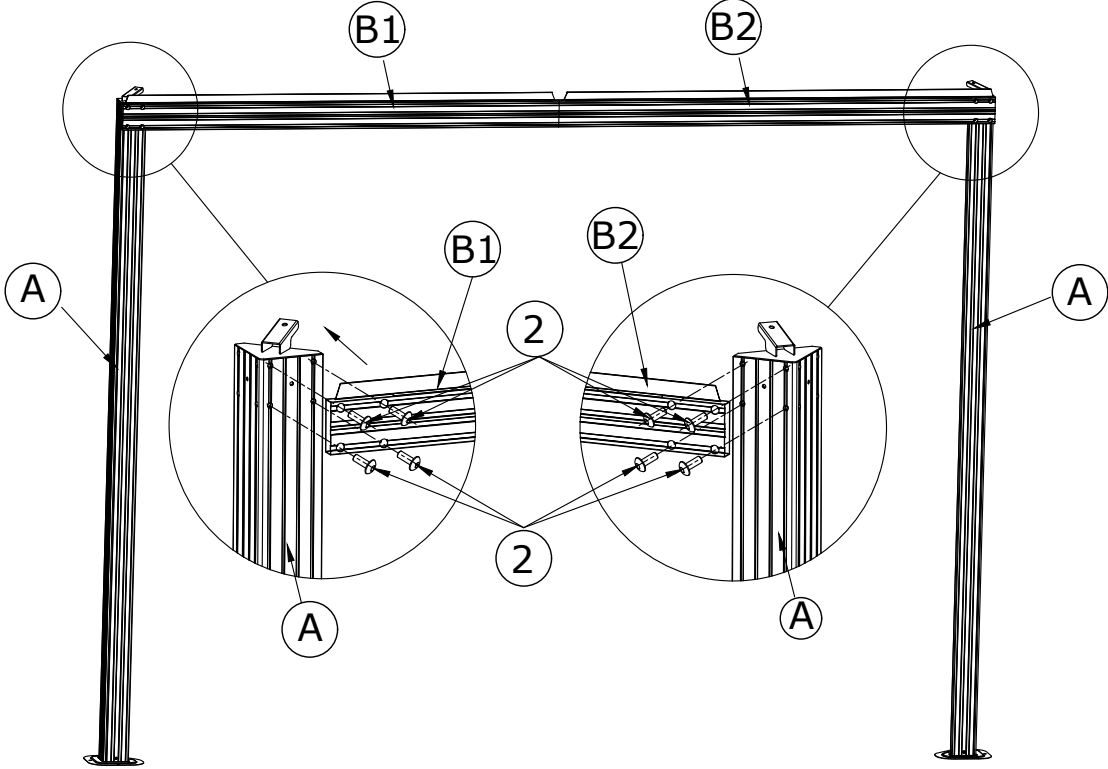
x2





STEP 03

x2

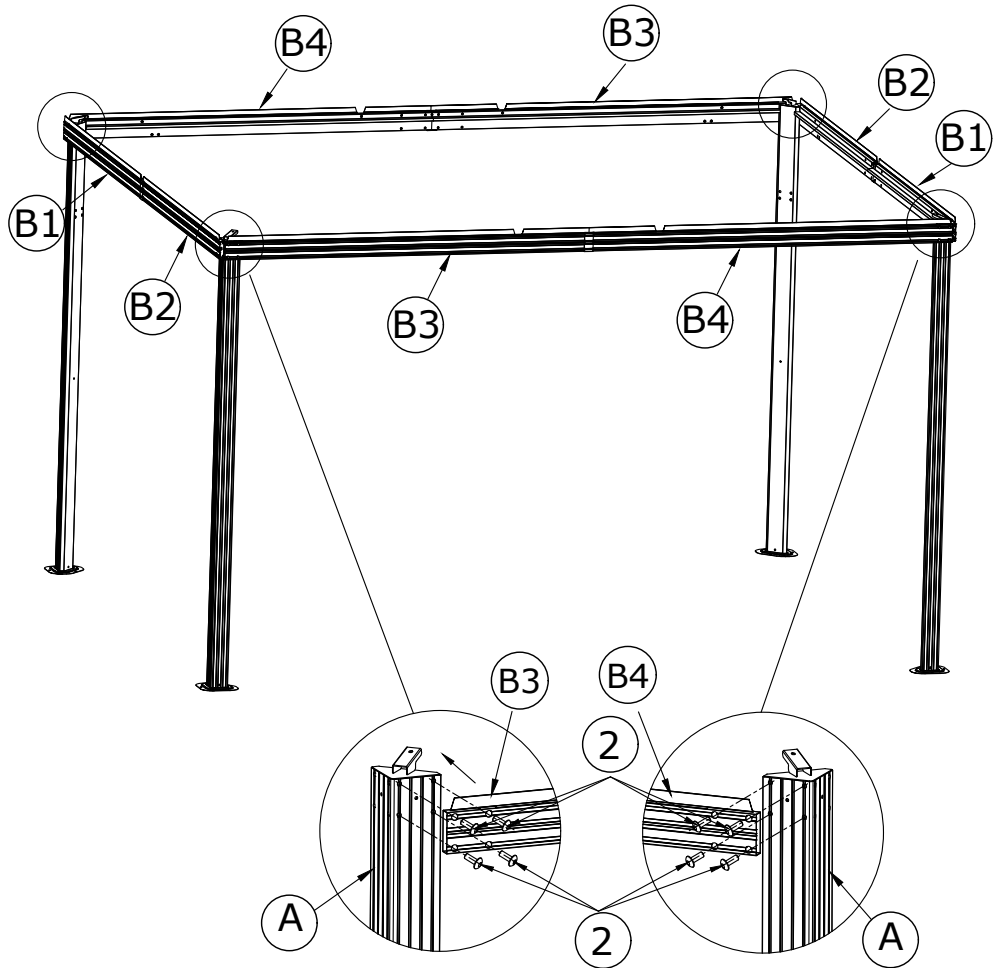




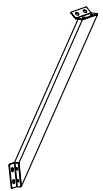
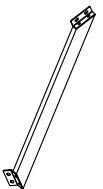
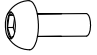
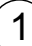
M6x10

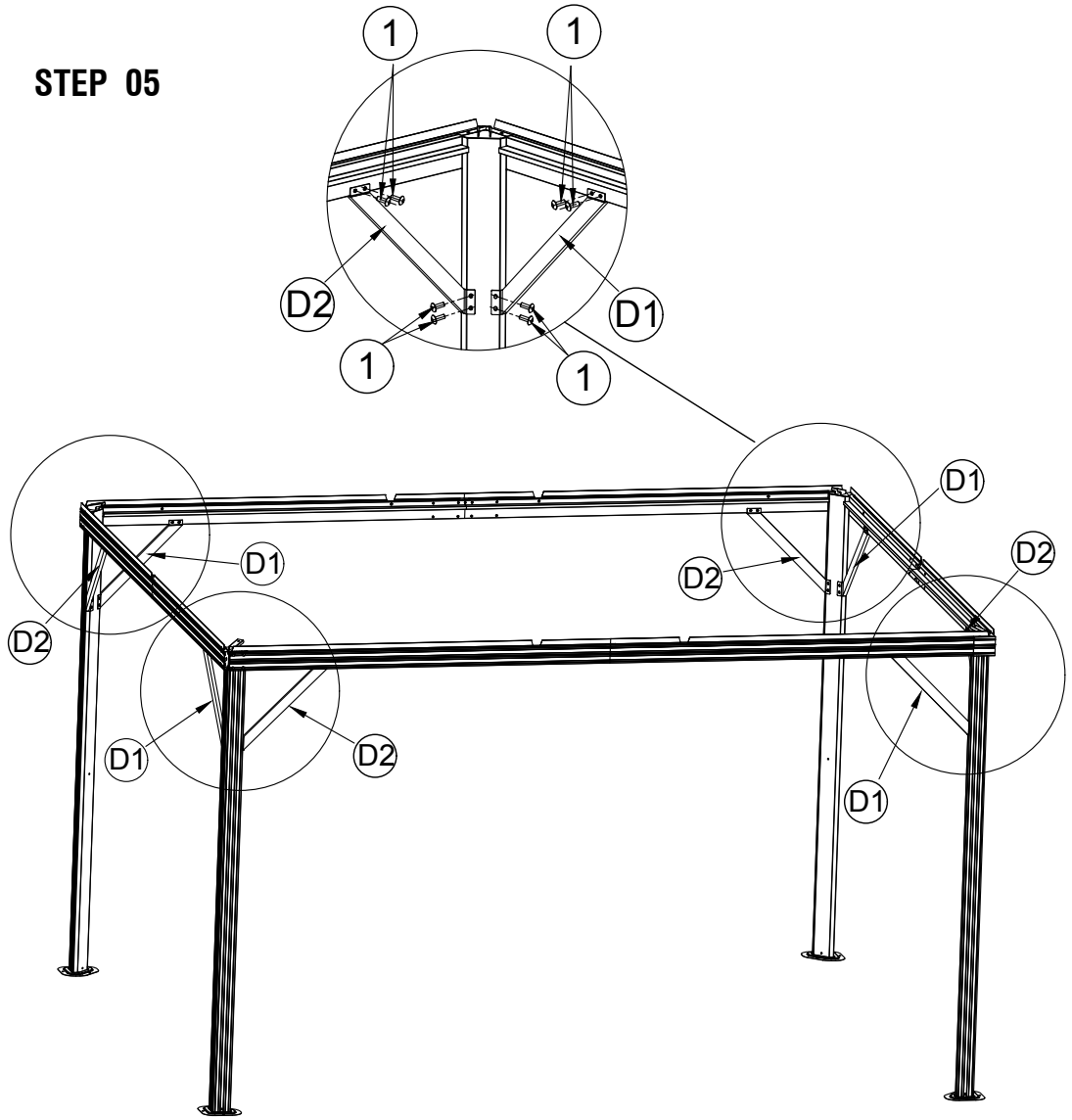
2 x 16

STEP 04


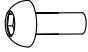


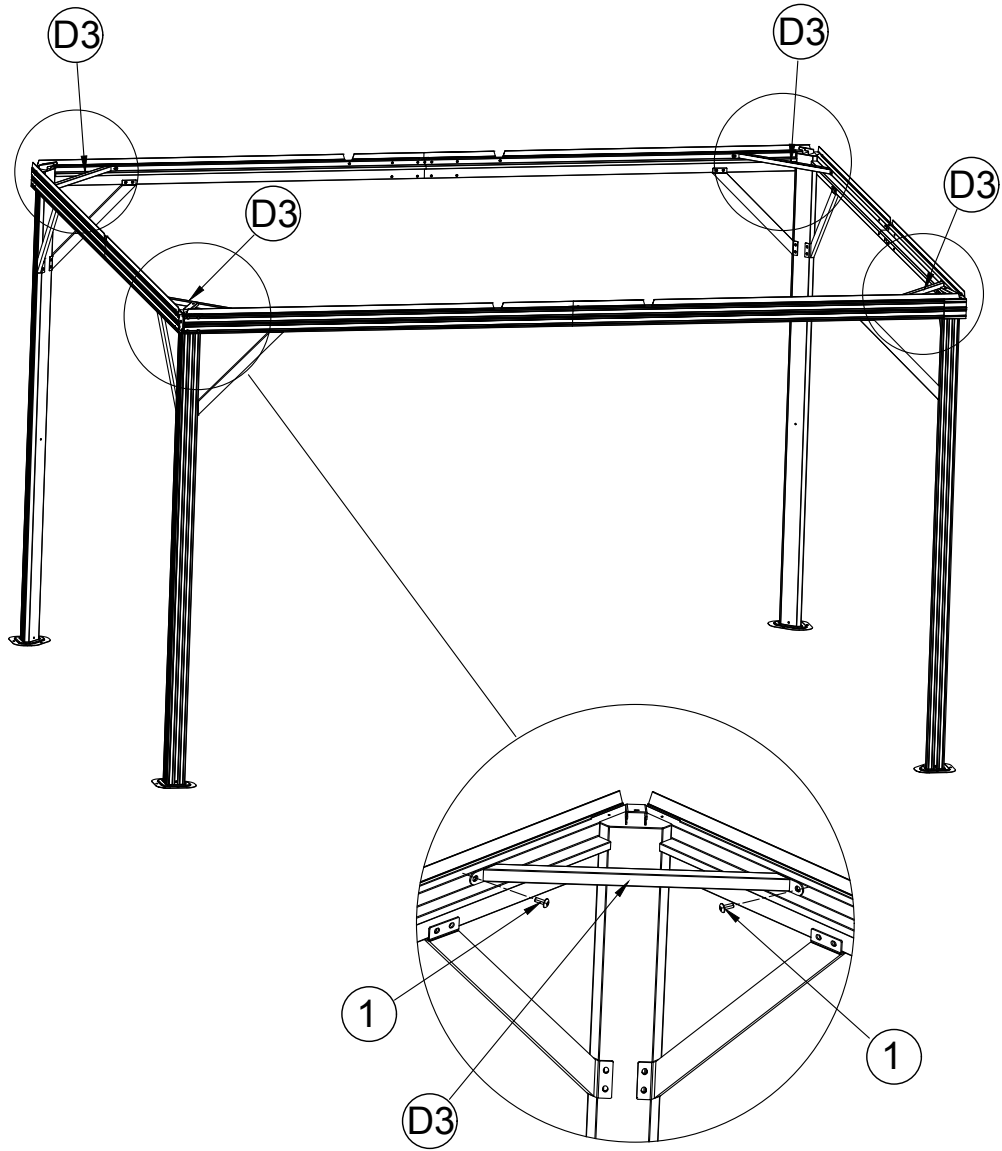
STEP 05

- 
D1 x 4
- 
D2 x 4
- 
M6x16
-  x 32


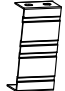




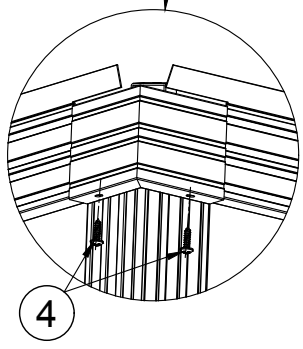
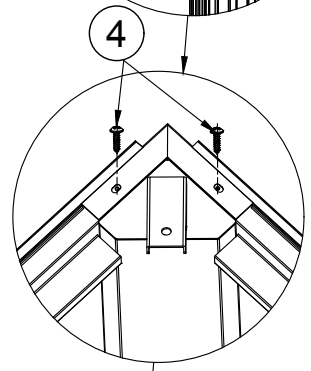
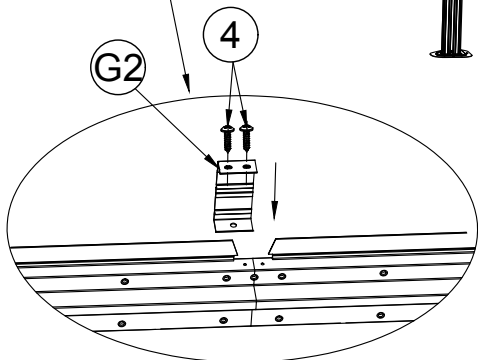
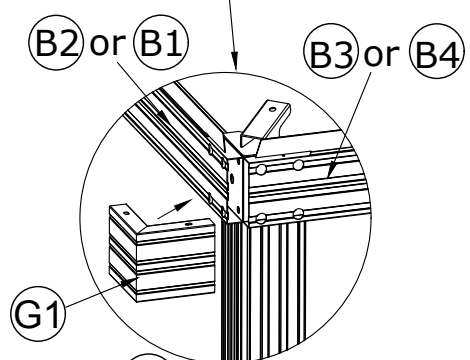
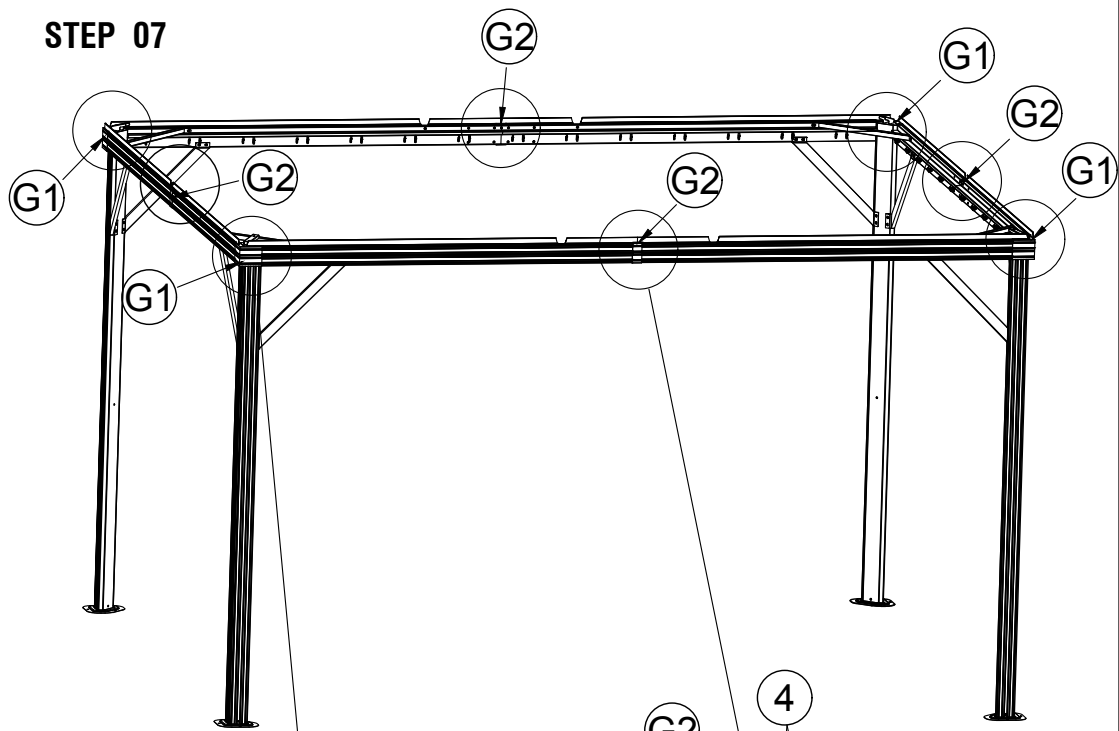
STEP 06


D3 x 4

M6x16
1 x 8



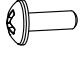



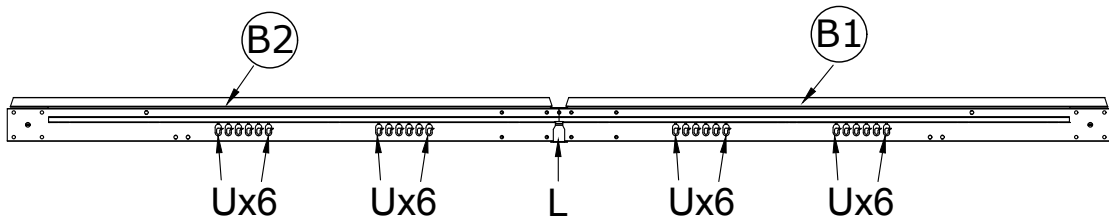
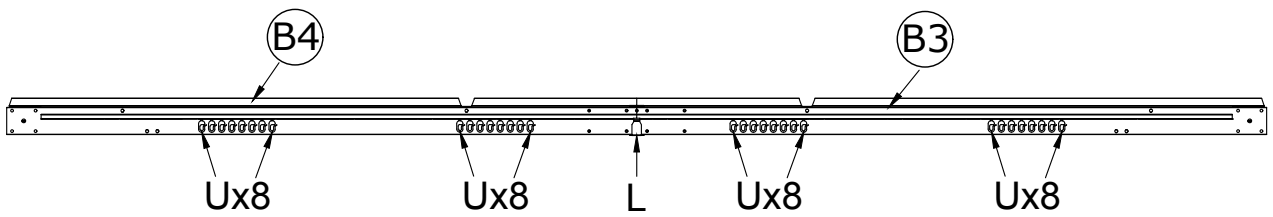
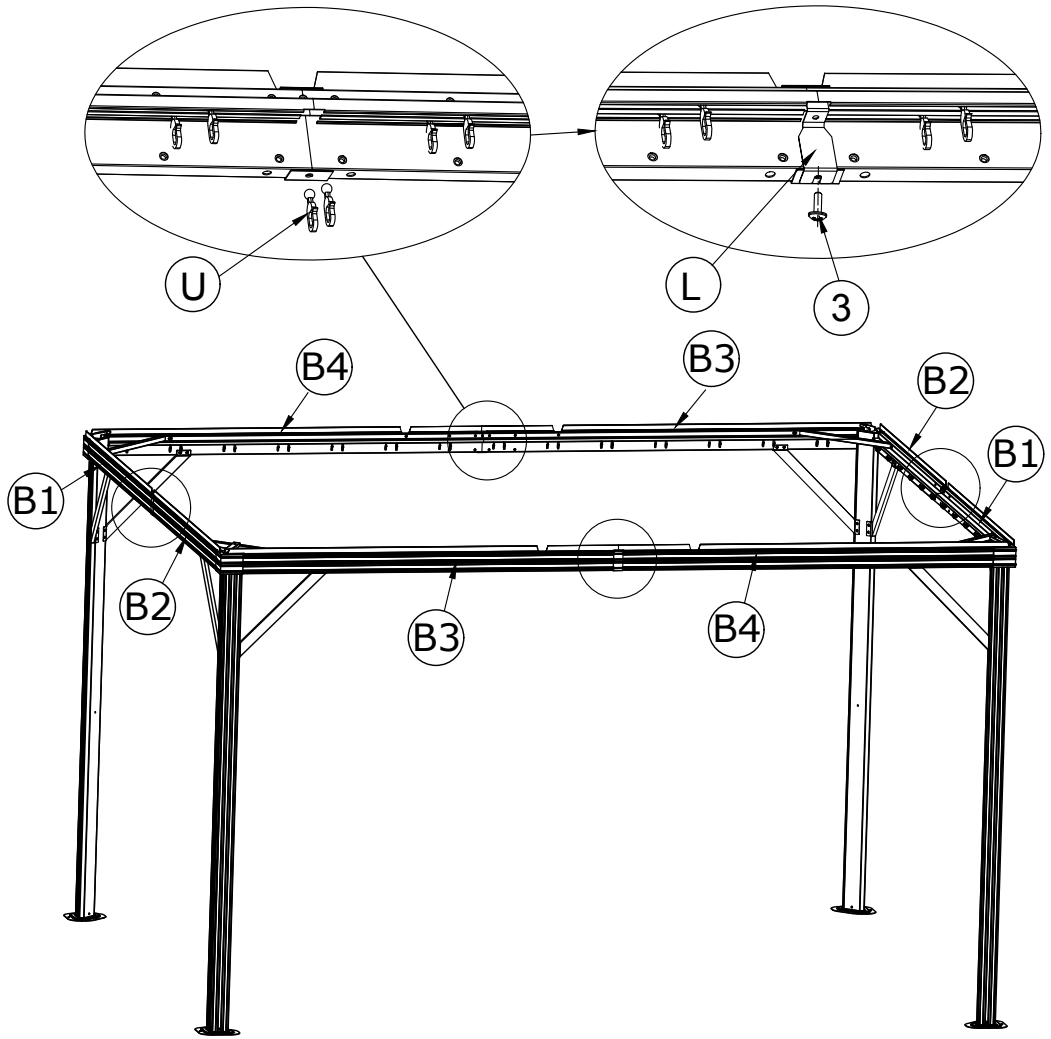
STEP 07

- 
G1 x 4
- 
G2 x 4
- 
ST4.8X13
- 
4 x 24



STEP 08

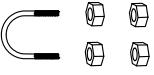
-  L x 4
-  U x 112
-  M5x12
-  3 x 4



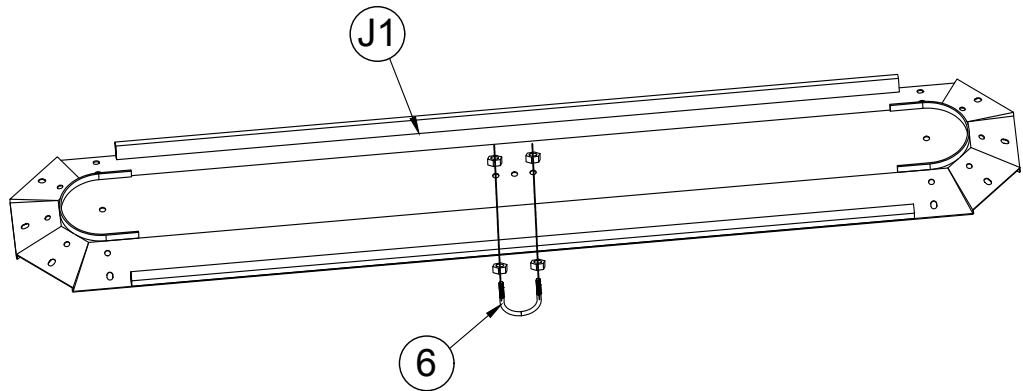
STEP 09




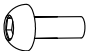
J1 x 1

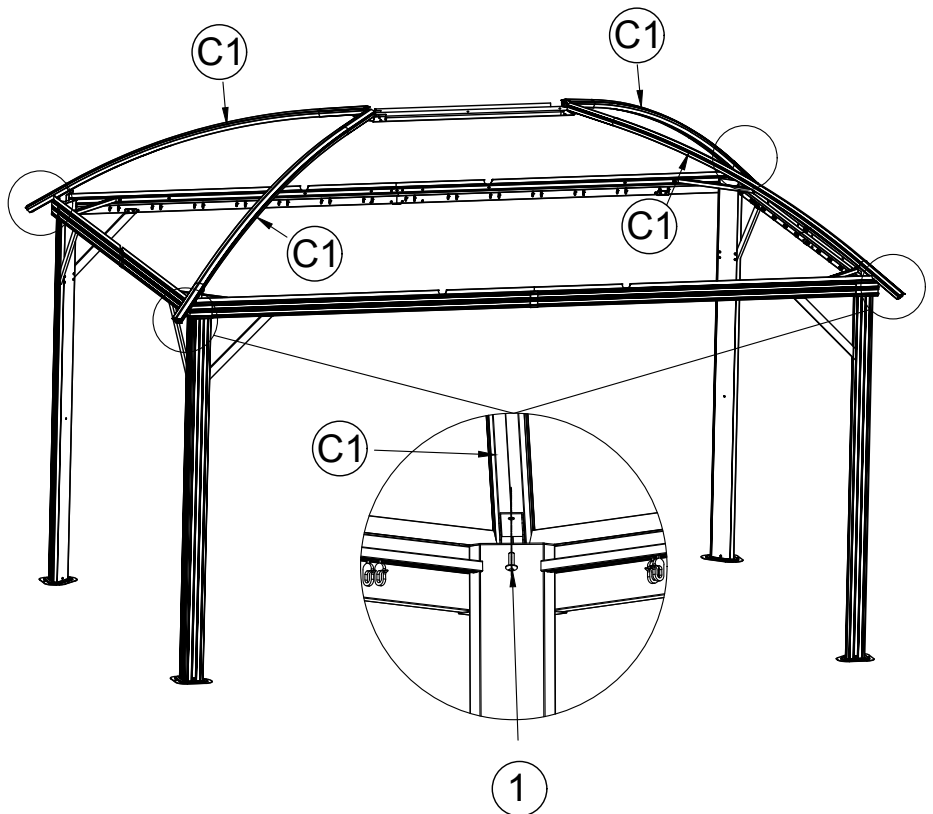
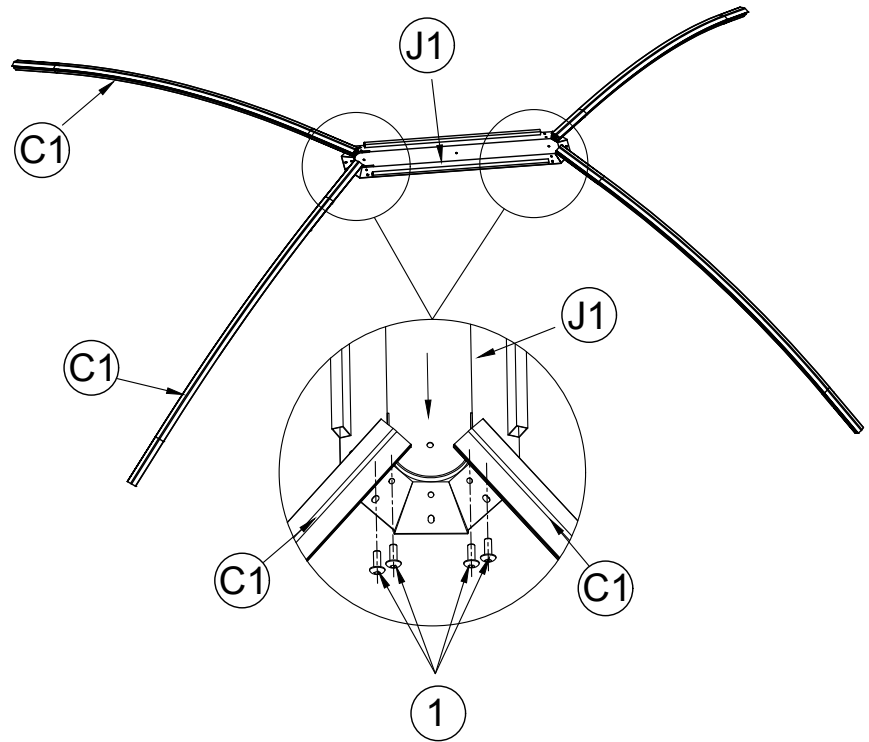


6 x 1




STEP 10

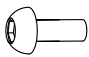
- 
- C1** x 4
- 
M6x16
- 1** x 12



STEP 11

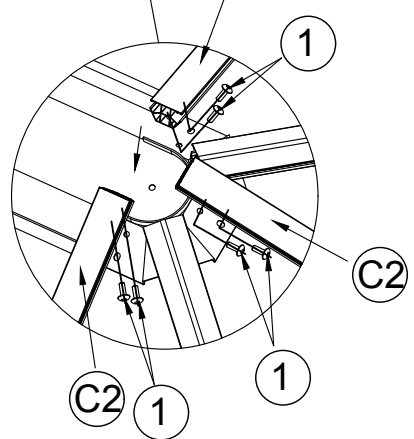
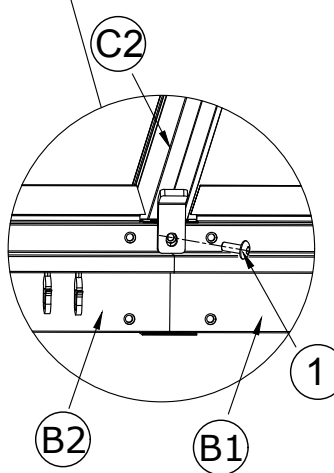
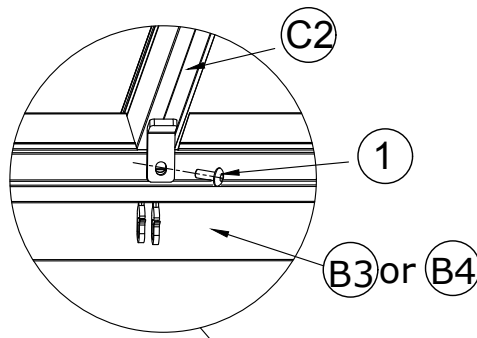
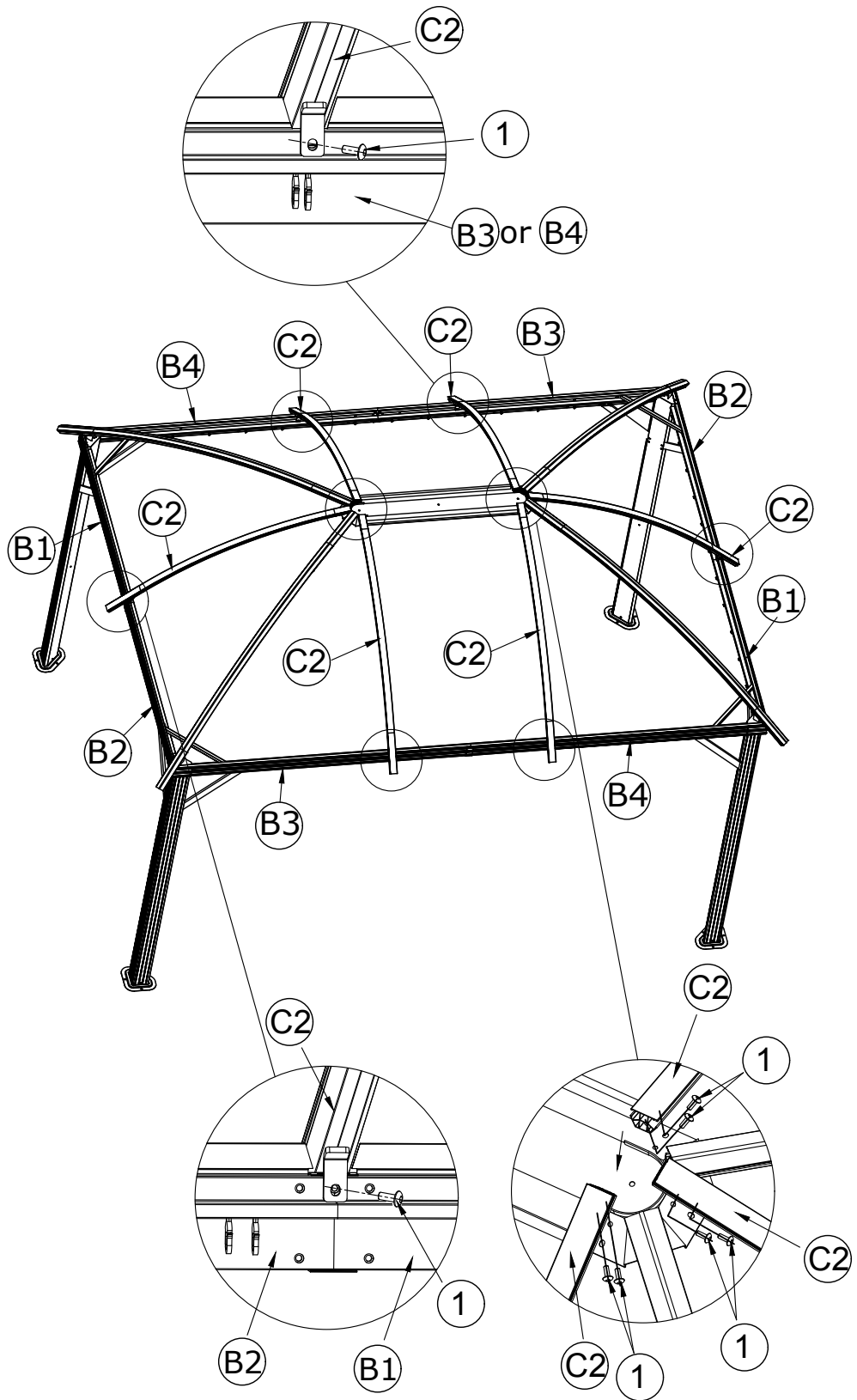


C2 x 6



M6x16

1 x 18



STEP 12

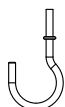


J2 x 1

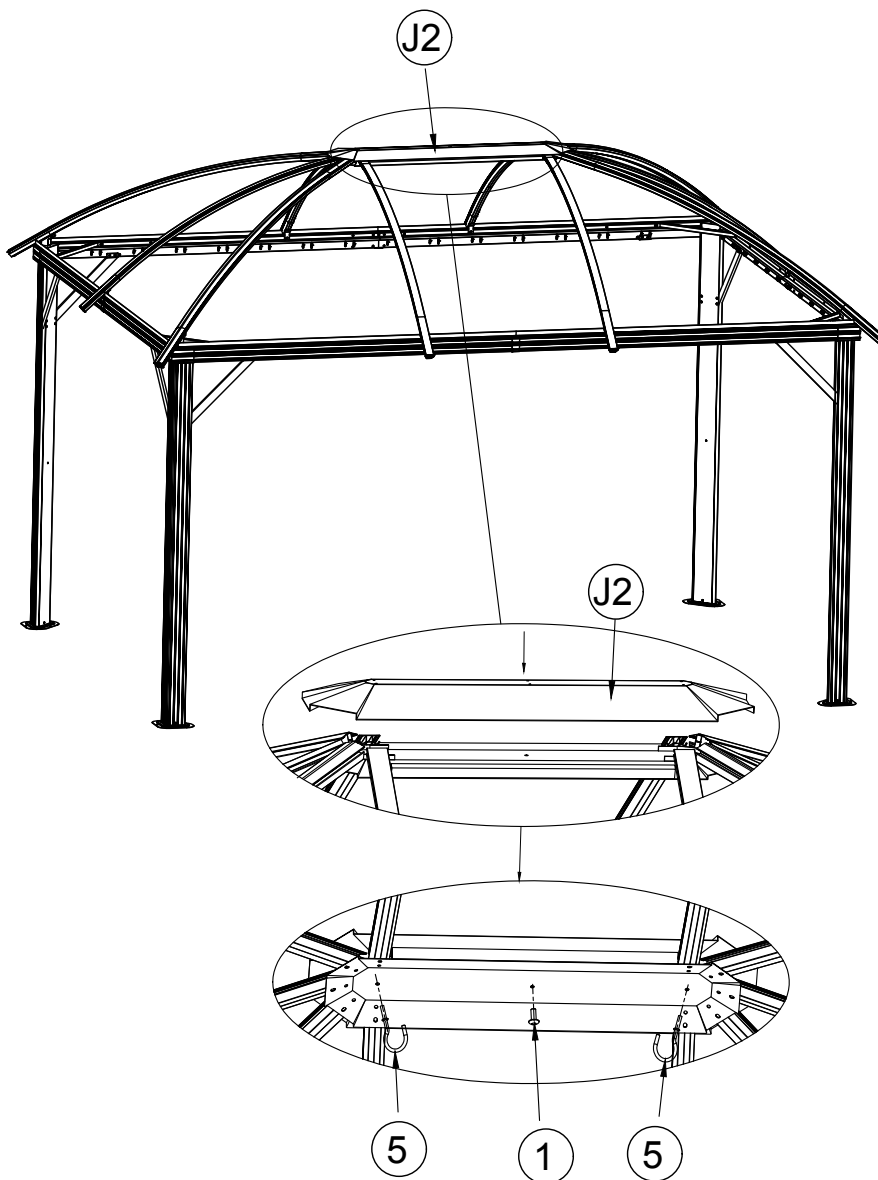


M6x16

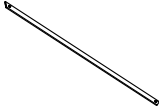

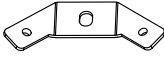
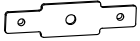


1 x 1

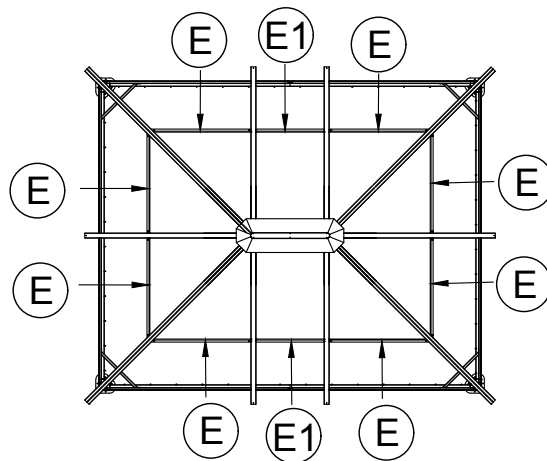
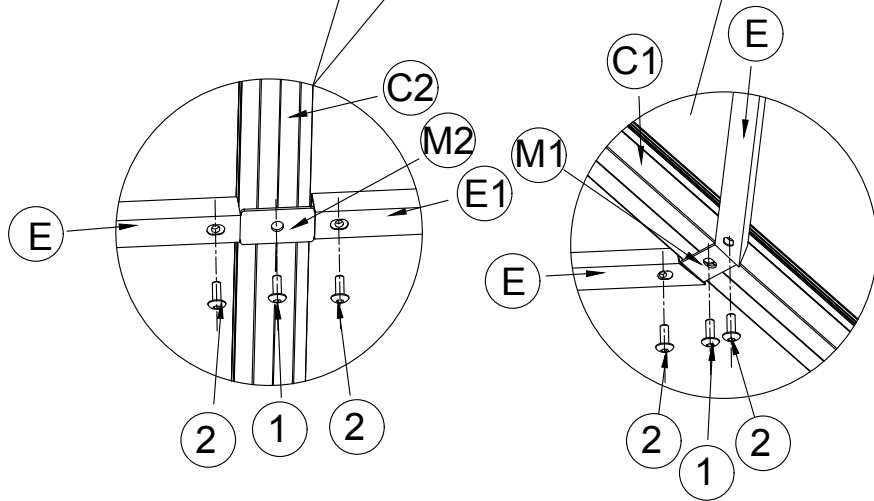
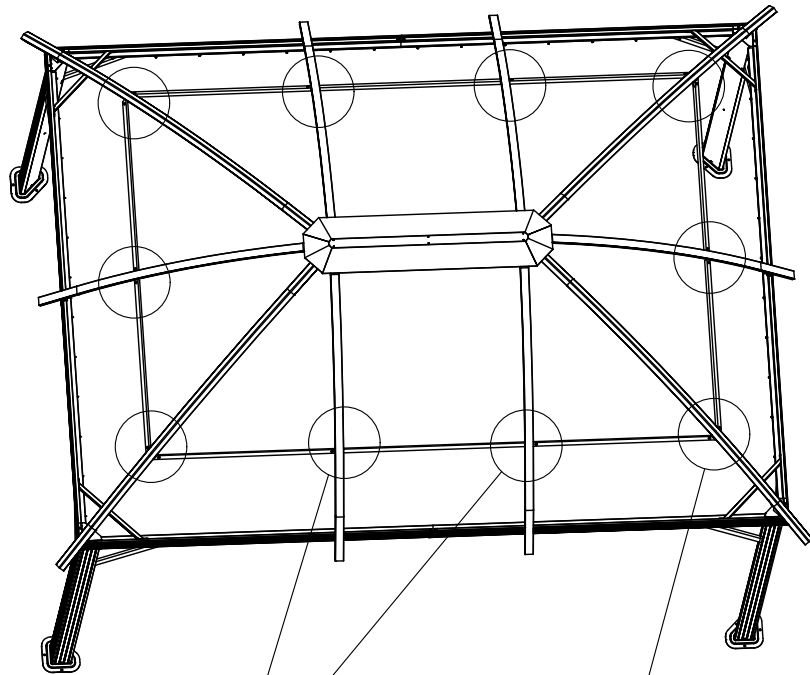


5 x 2

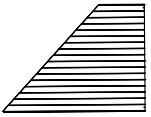


STEP 13

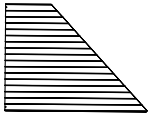
-  **(E)** x 8
- 
- (E1)** x 2
- 
- (M1)** x 4
- 
- (M2)** x 6
- 
M6x16
- (1)** x 10
- 
M6x10
- (2)** x 20



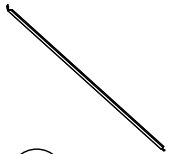
STEP 14



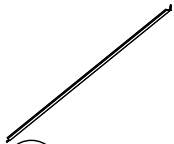
Q1 x 1



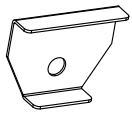
Q2 x 1



F5 x 1



F6 x 1

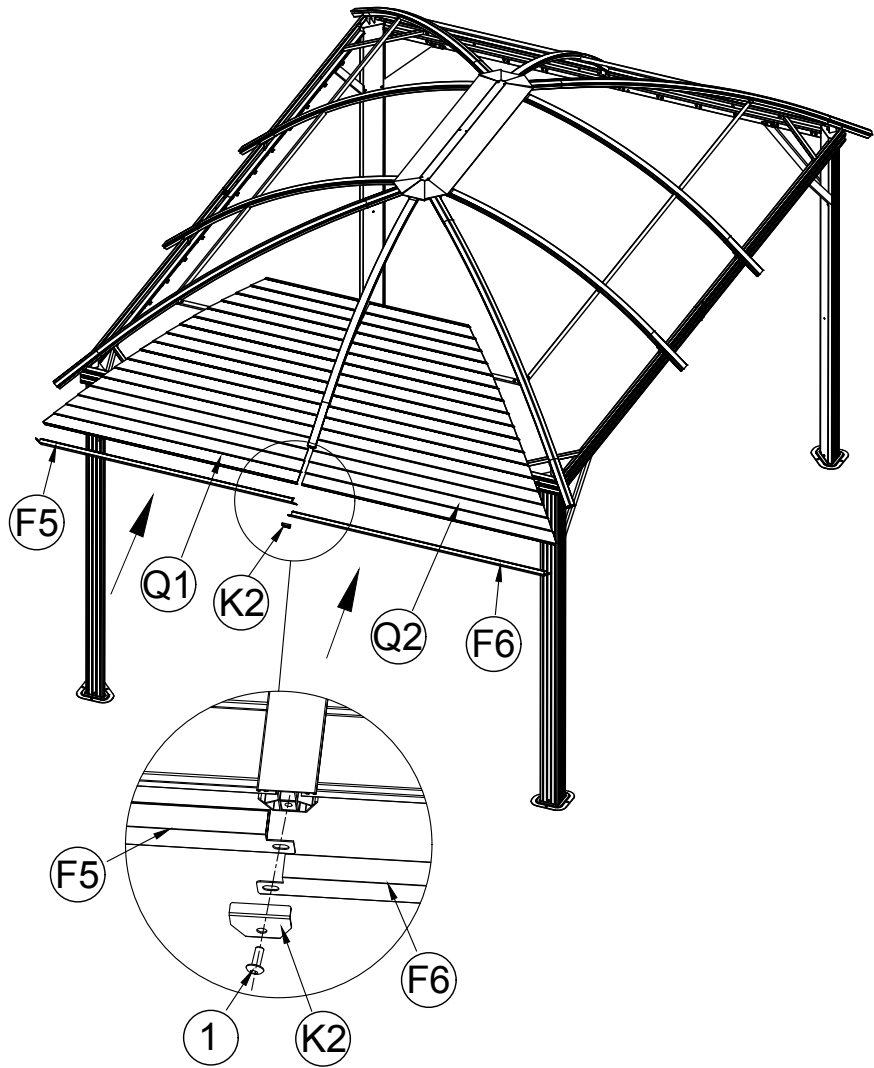


K2 x 1

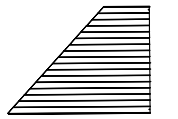


M6x16

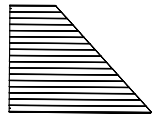
1 x 1



STEP 15



Q1 x 1



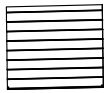
Q2 x 1



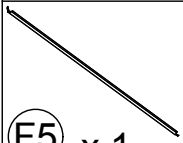
Q x 1



V x 2



R x 1



F5 x 1



F6 x 1



F7 x 1



K1 x 1

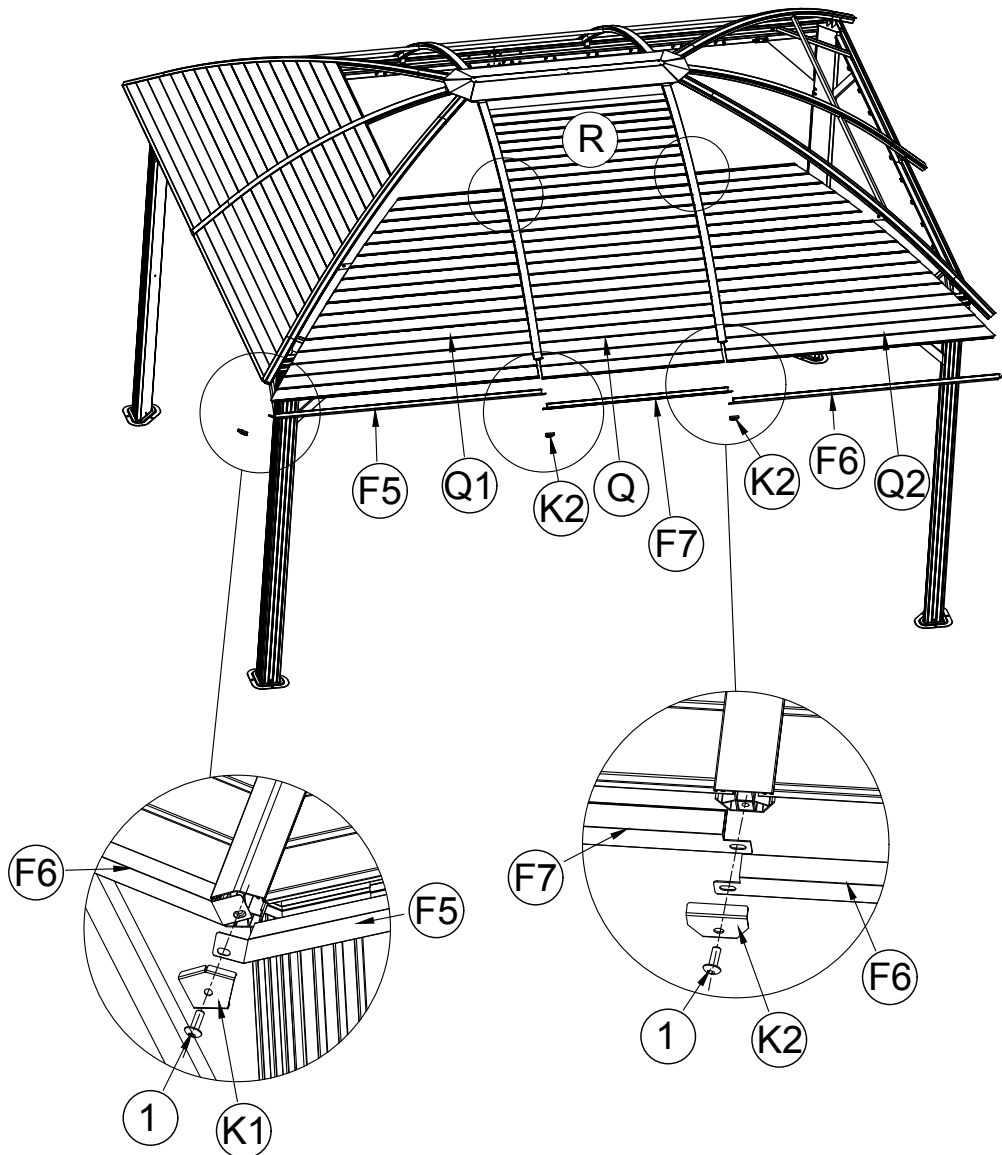
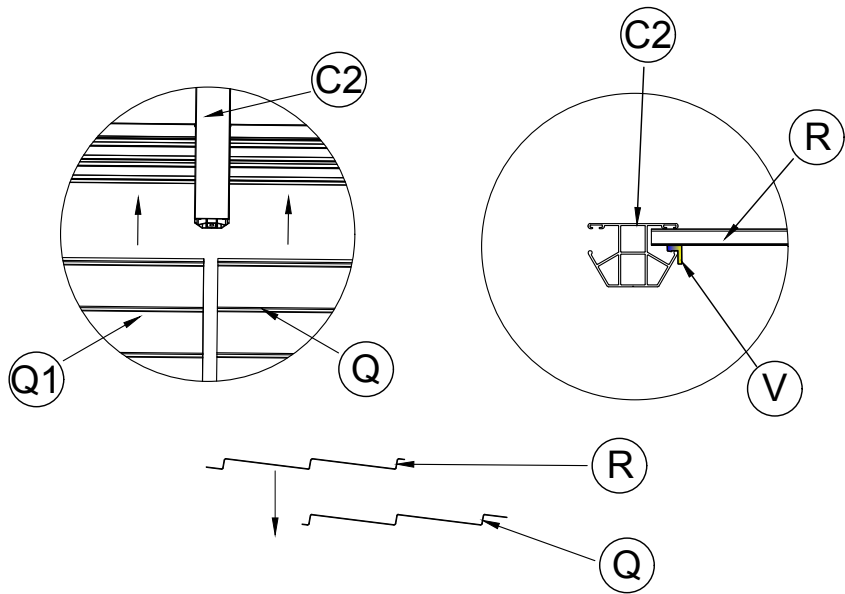


K2 x 2

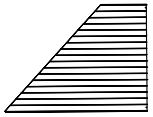


M6x16

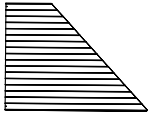
1 x 3



STEP 16



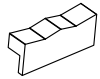
Q1 x 2



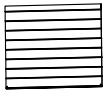
Q2 x 2



Q x 1



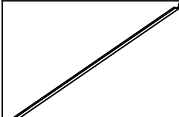
V x 2



R x 1



F5 x 2



F6 x 2



F7 x 1



K1 x 3

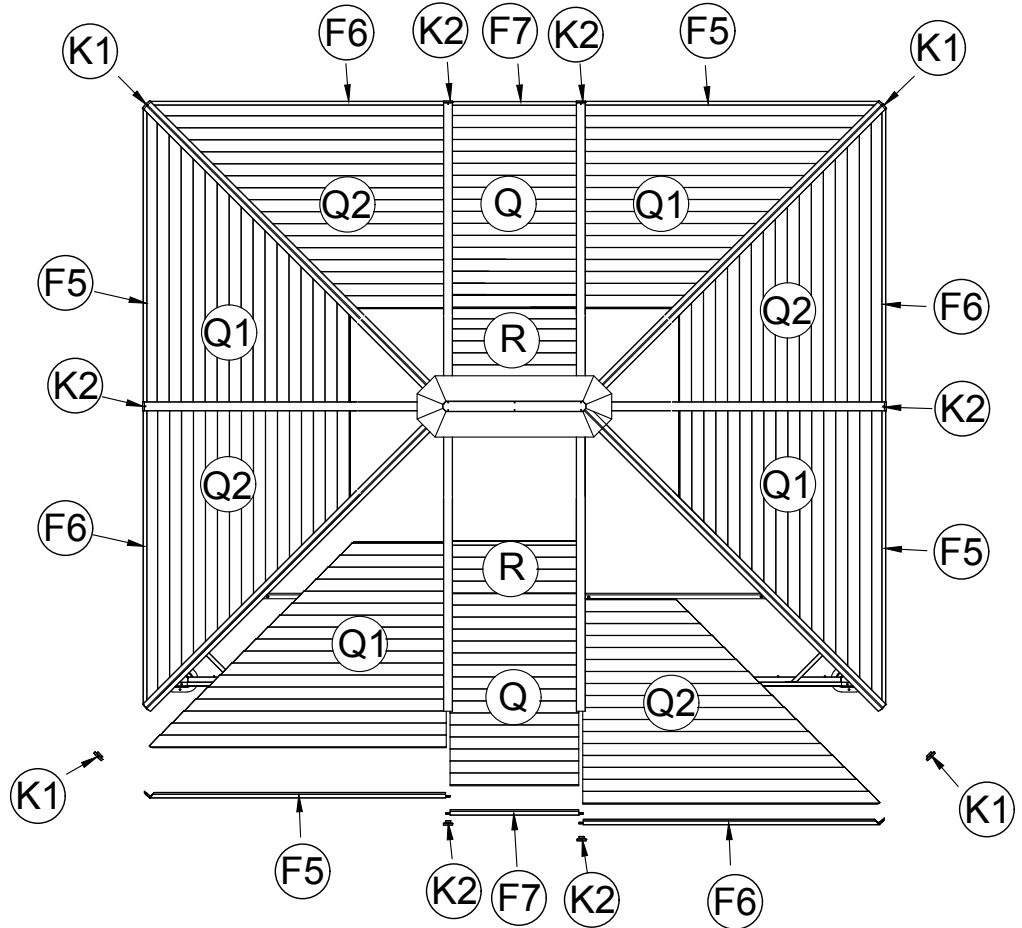
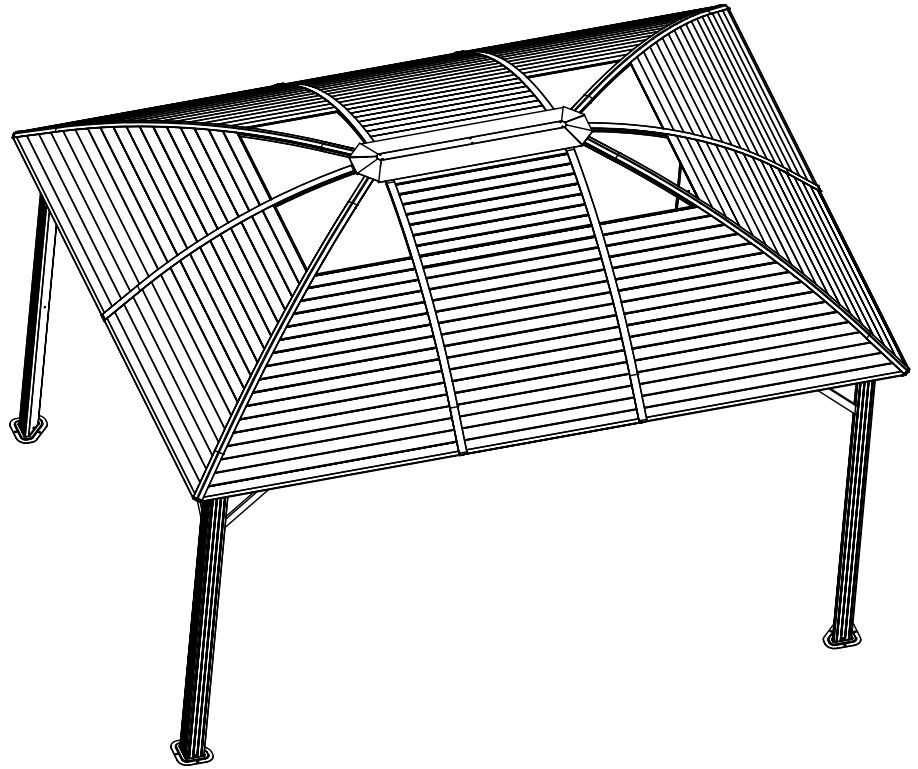


K2 x 3

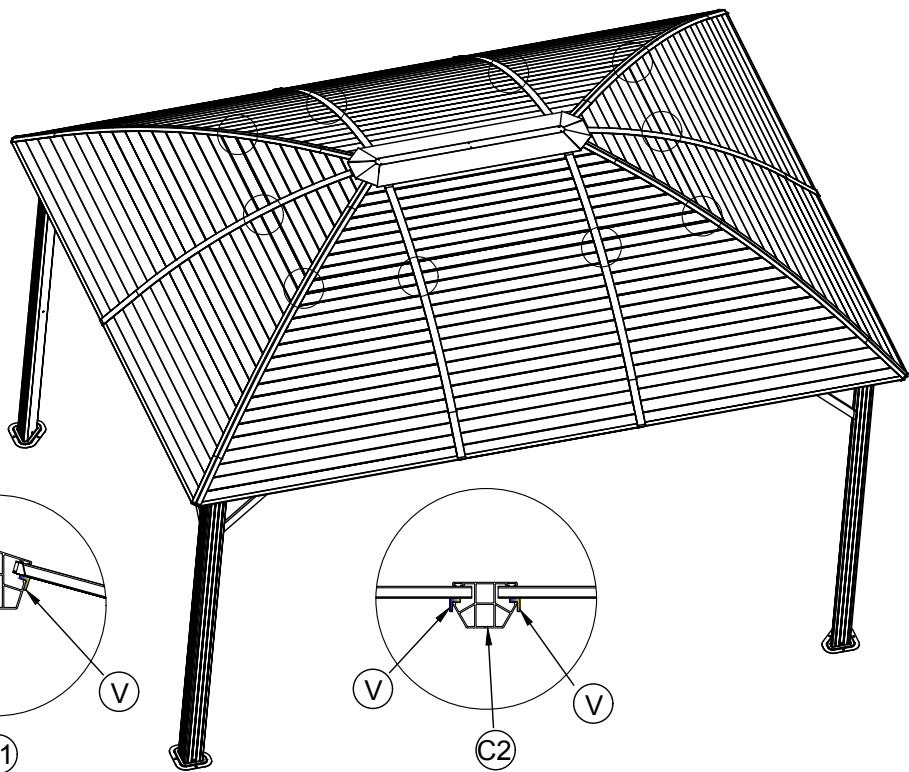
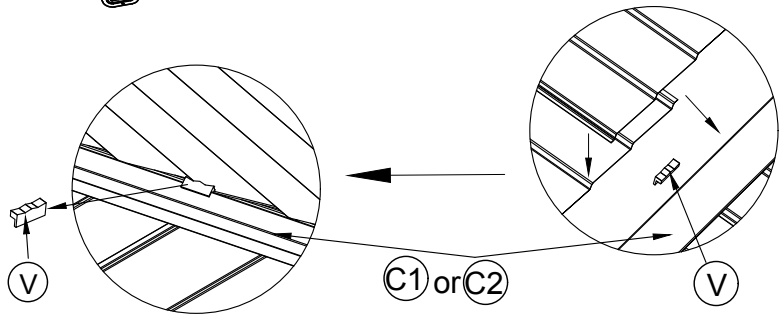
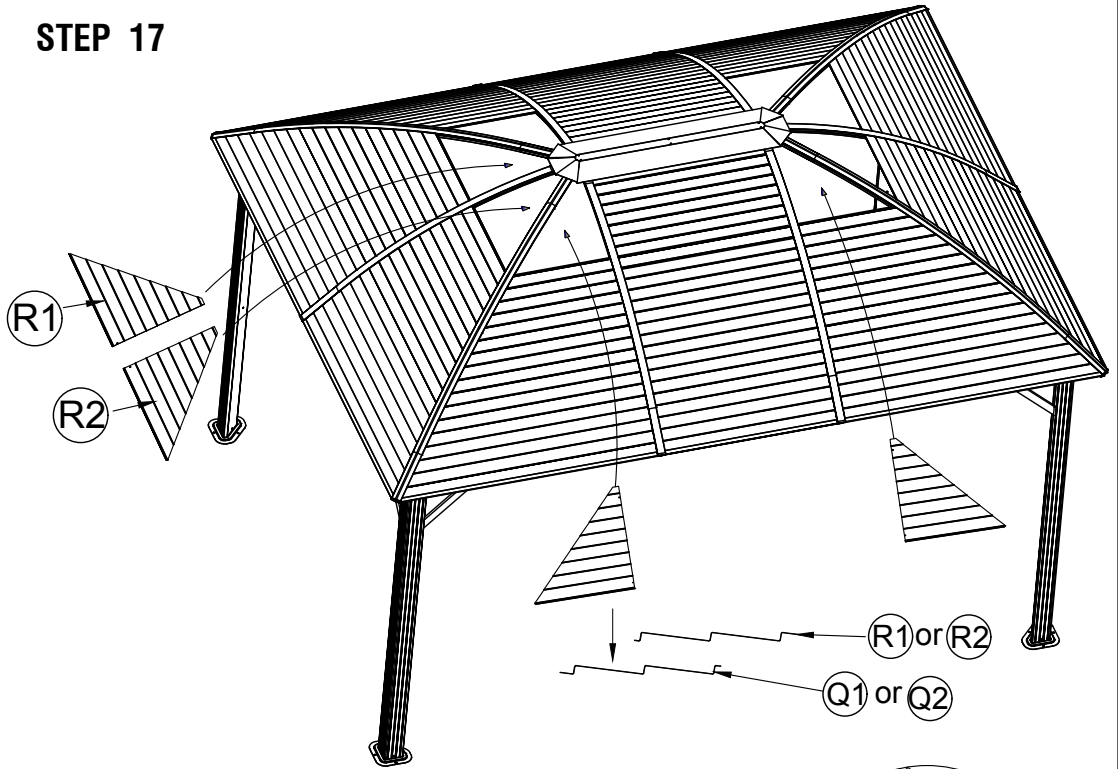
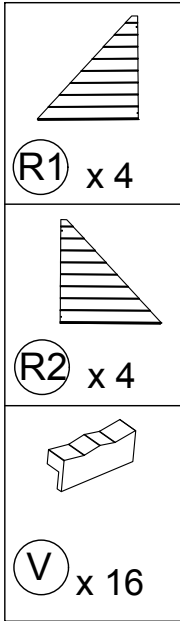


M6x16

1 x 6



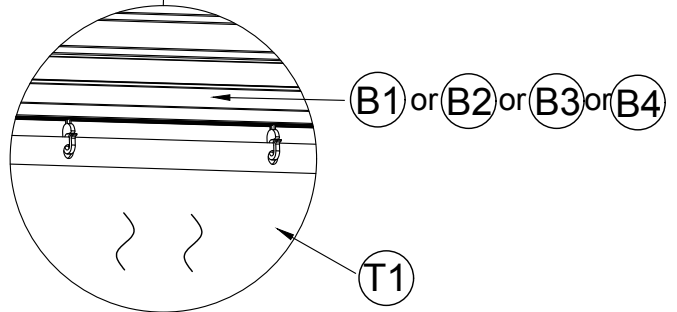
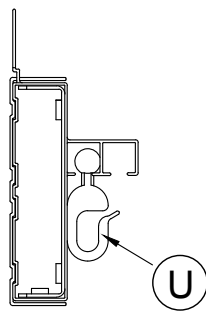
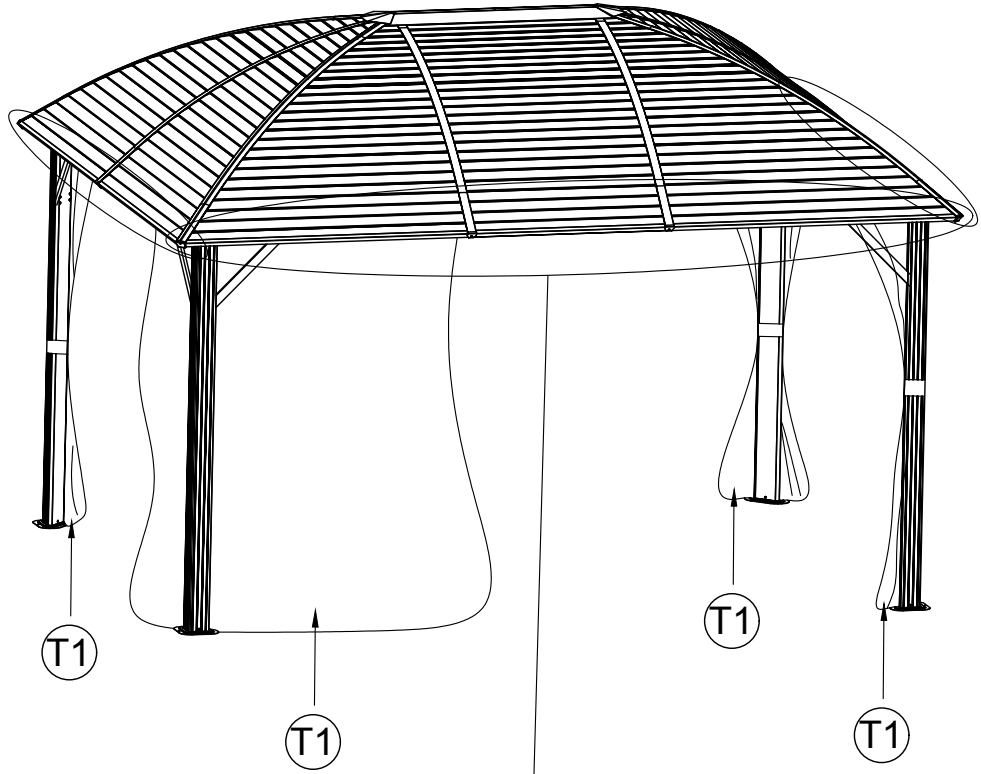
STEP 17



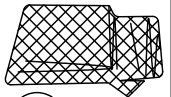
STEP 18



T1 x 4



STEP 19



T2 x 4



7 x 12

B1 or B2 or B3 or B4

