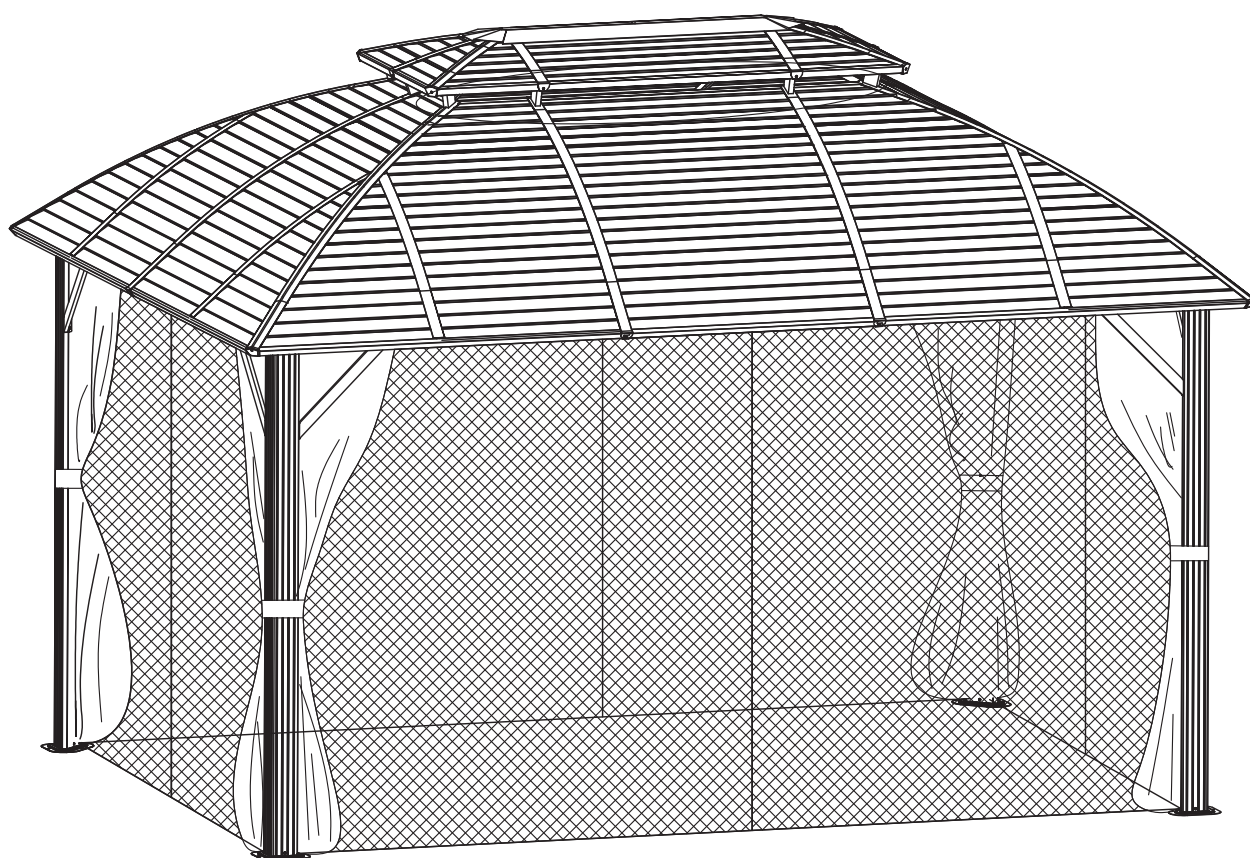


INSTRUCTION MANUAL

SKU: XWG-280TN

10FT X 13FT GAZEBO



Note: The gazebo needs to be installed in cooperation with four people. The following tools are not included and needed for assembly:



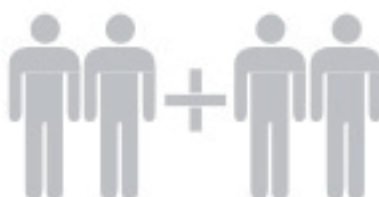
Pistol Drill



Tape Measure



2 m Adjustable Ladder





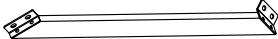



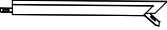
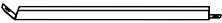
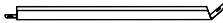




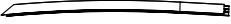


4 people





Warning

1. Four person assembly is required for this gazebo.
2. Please take appropriate actions as heavy rain, wind and snow can damage the gazebo. If necessary please disassemble and store for later use.
3. In snowy conditions, please do not allow the thickness of the snow to be more than 5 inches on the roof, this should be cleared as soon as possible for your safety. When the wind speed reaches 61.2km/h, please take measures to avoid the wind.




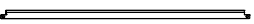
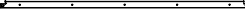


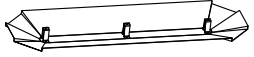



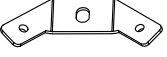
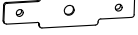

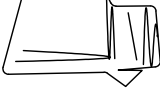
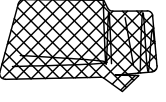
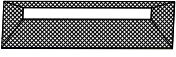

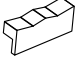
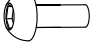



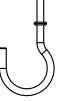
PARTS LIST (BOX A)

A	B1	B2	C1
			
4 PCS	2 PCS	2 PCS	4 PCS
D1	D2	D3	F1
			
4 PCS	4 PCS	4 PCS	4 PCS
F2	F3	F4	G1
			
4 PCS	4 PCS	4 PCS	4 PCS
H	I	N1	N2
			
4 PCS	4 PCS	4 PCS	4 PCS

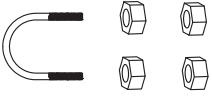


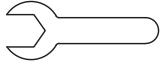
PARTS LIST (BOX B)

B3	B4	C2	E
			
2 PCS	2 PCS	6 PCS	8 PCS

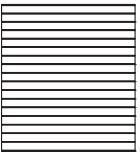
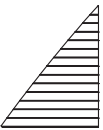
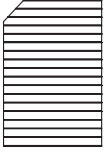
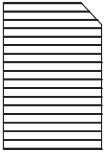
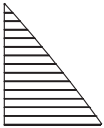

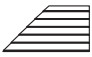
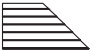
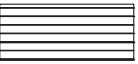


PARTS LIST (BOX B)

E1	F5	F6	F7
			
2 PCS	4 PCS	4 PCS	4 PCS
F8	G2	J1	J2
			
2 PCS	4 PCS	1 PCS	1 PCS
K1	K2	L	M1
			
12 PCS	18 PCS	4 PCS	4 PCS
M2	N3	T1	T2
			
6 PCS	8 PCS	4 PCS	4 PCS
T3	U	V	1
			 M6x16
1 PCS	112 PCS	20 PCS	139 PCS
2	3	4	5
 M6x10	 M5x12	 ST4.8X13	
92 PCS	4 PCS	32 PCS	2 PCS

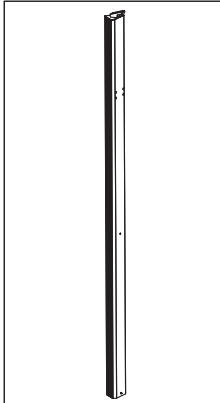
PARTS LIST (BOX B)

6	7		
	 M6x60		
1 PCS	12 PCS	2 PCS	1 PCS

PARTS LIST (BOX C)

Q	Q1	Q2	Q3
			
2 PCS	4 PCS	4 PCS	4 PCS
Q4	R	R1	R2
			
4 PCS	2 PCS	4 PCS	4 PCS
S	S1	S2	
			
2 PCS	4 PCS	4 PCS	

STEP 01



A x 4

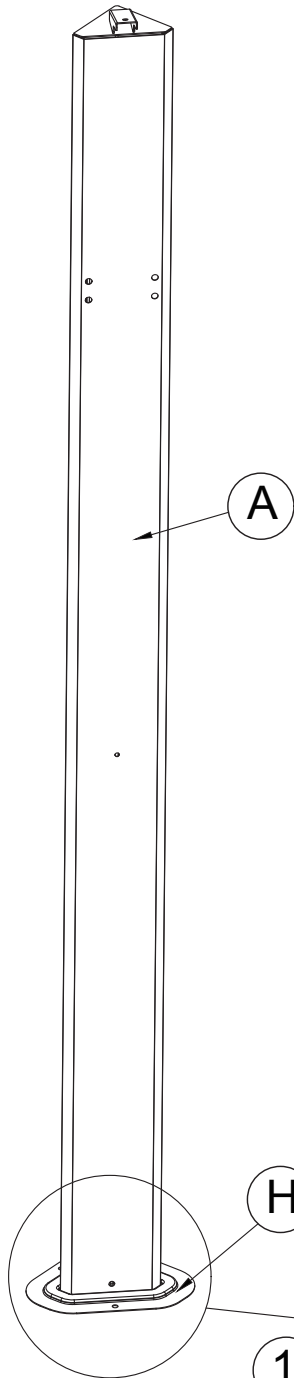


H x 4

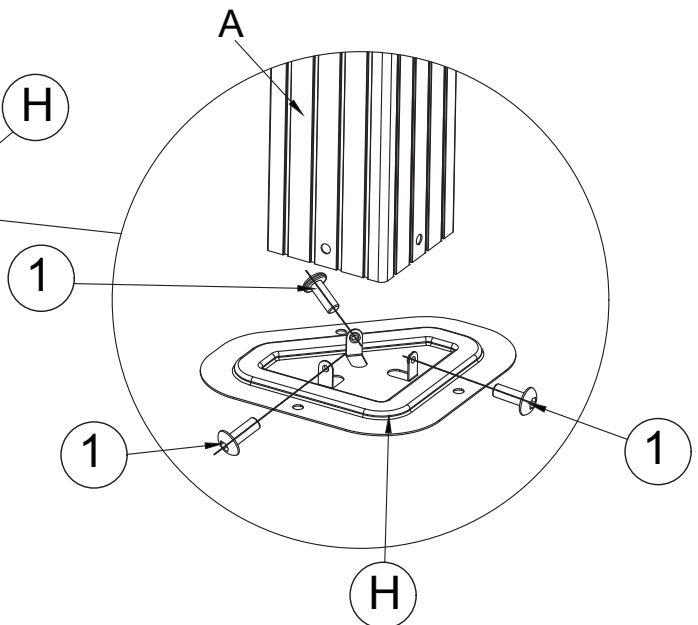


M6x16







1 x 12

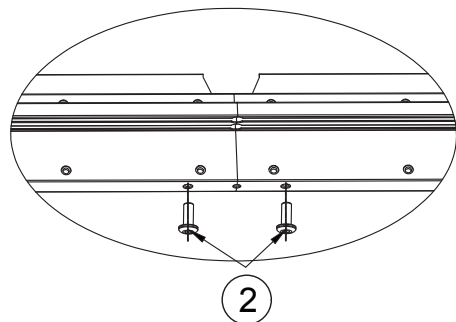
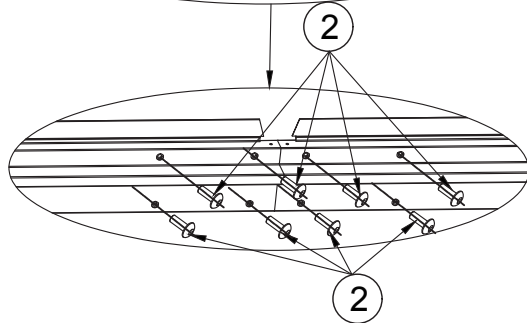
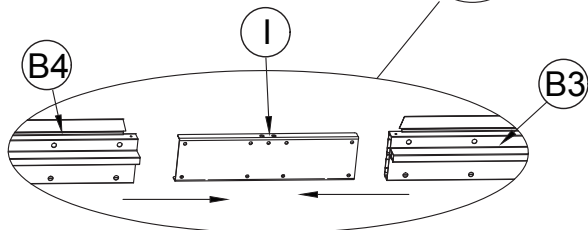
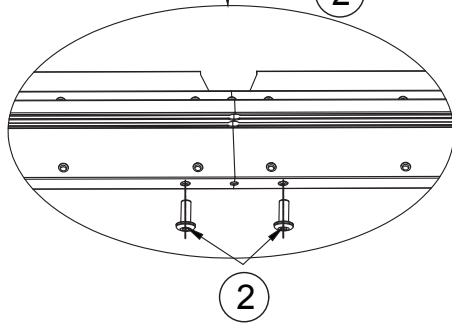
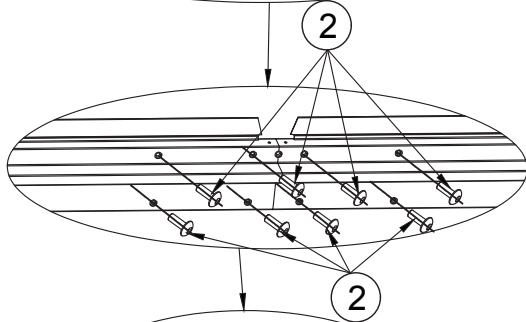
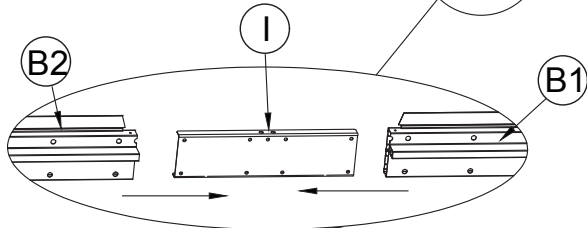
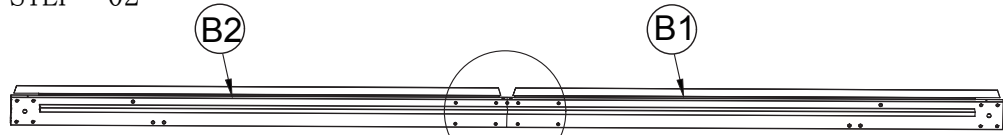


x4

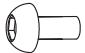


STEP 02

- 
B1 x 2
- 
B2 x 2
- 
B3 x 2
- 
B4 x 2
- 
I x 4
- 
M6x10
2 x 40

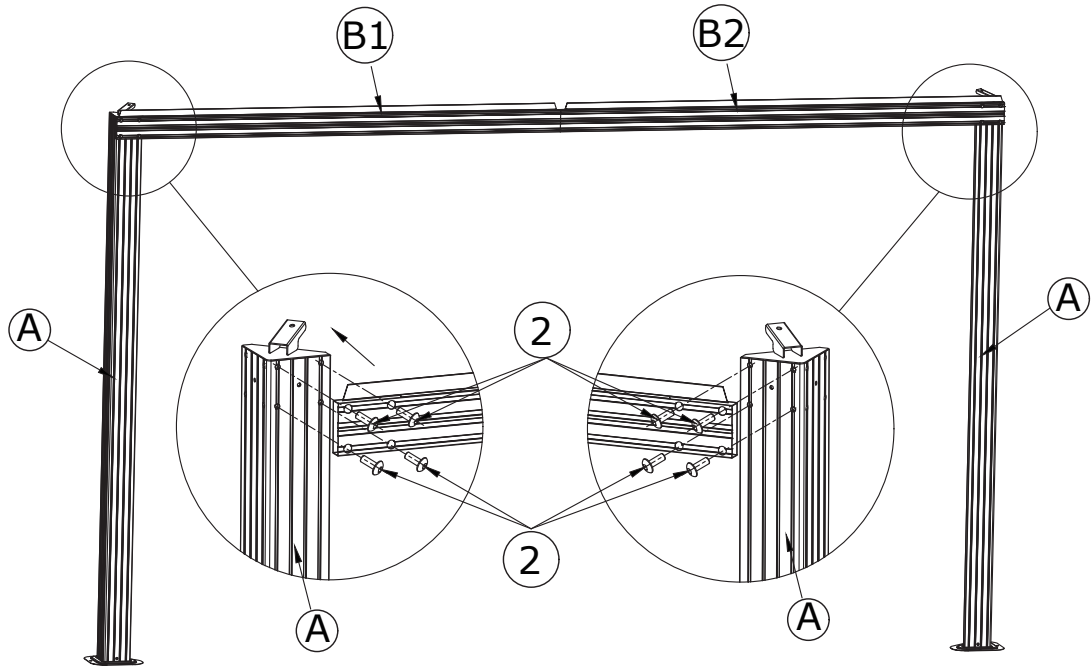


x2


M6x10
② x 16

STEP 03

x2

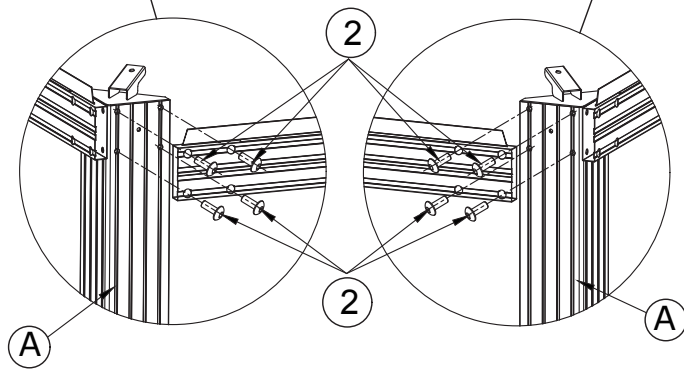
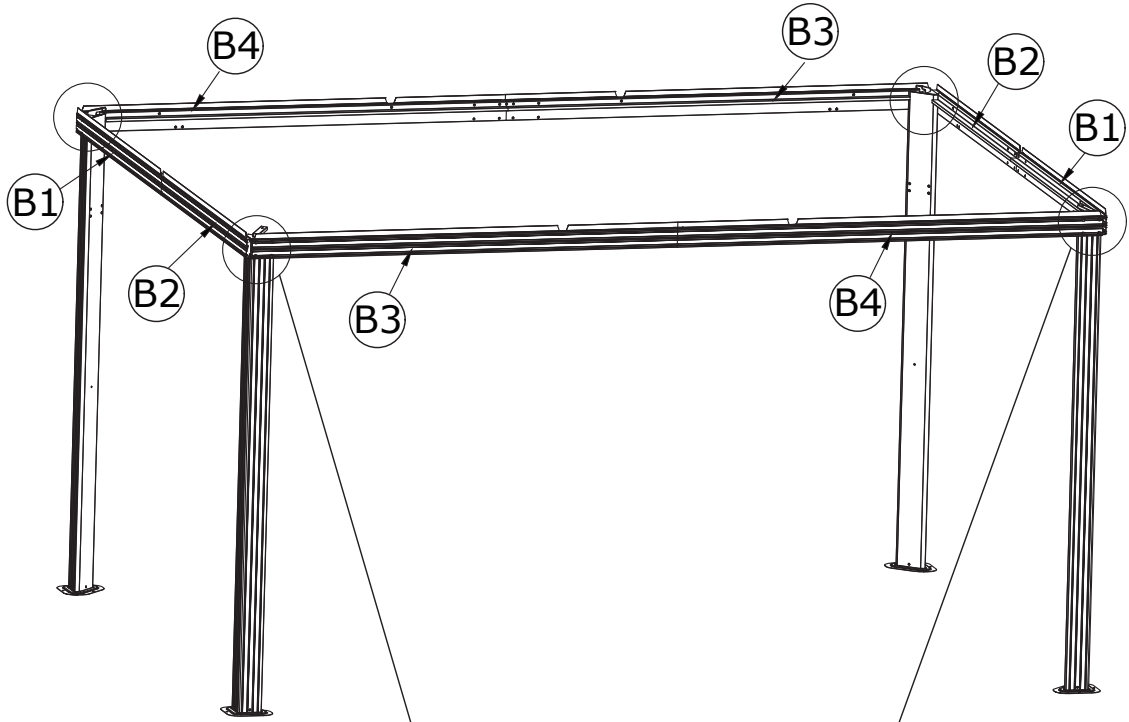


STEP 04



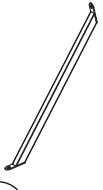
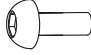



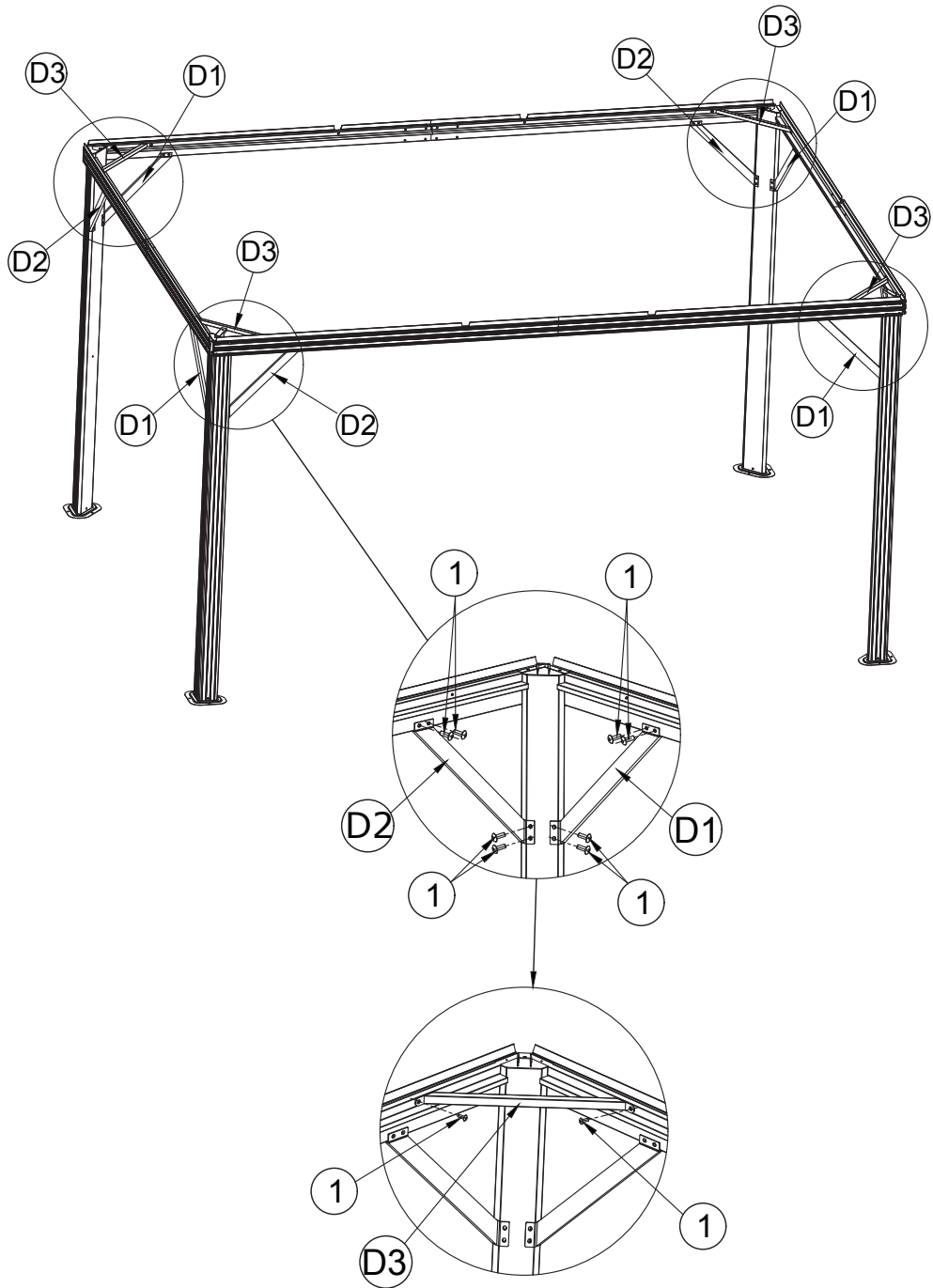
M6x10

2 x 16







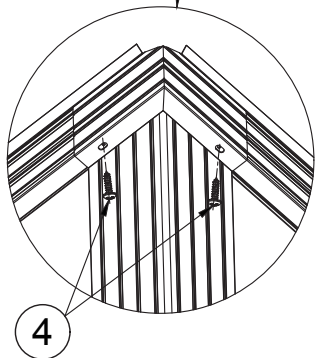
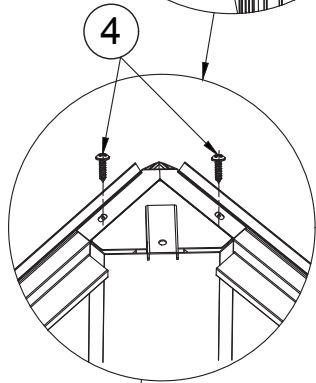
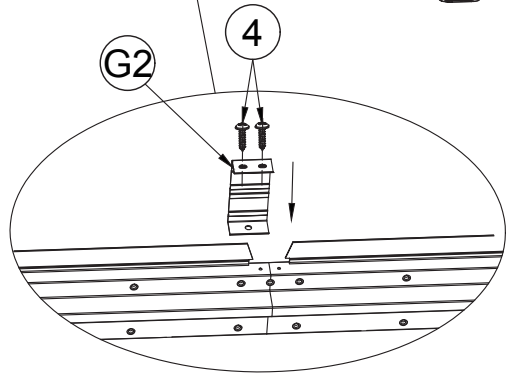
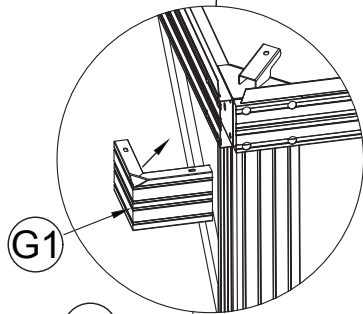
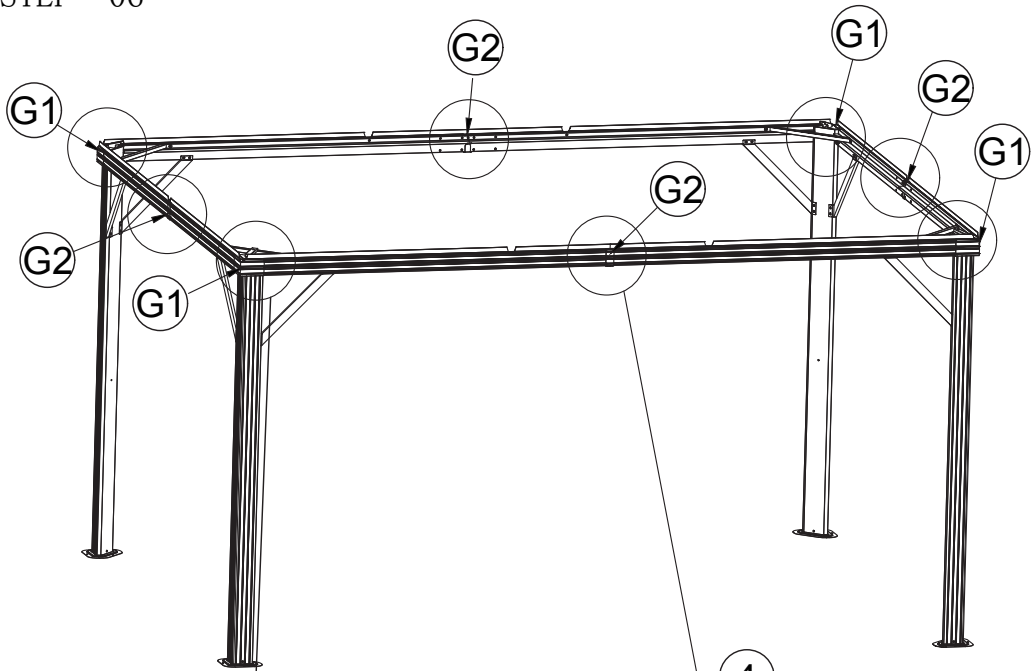
STEP 05

- 
D1 x 4
- 
D2 x 4
- 
D3 x 4
- 
M6x16
- 
1 x 40

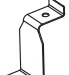




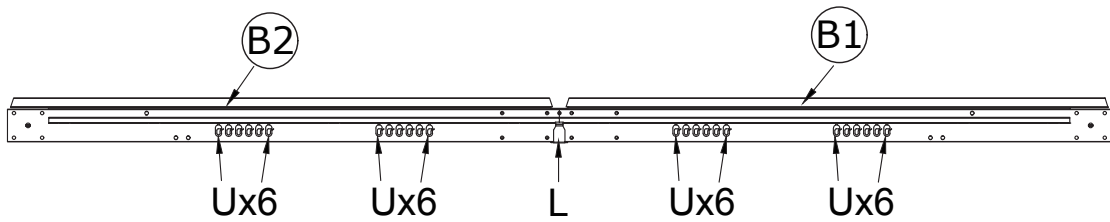
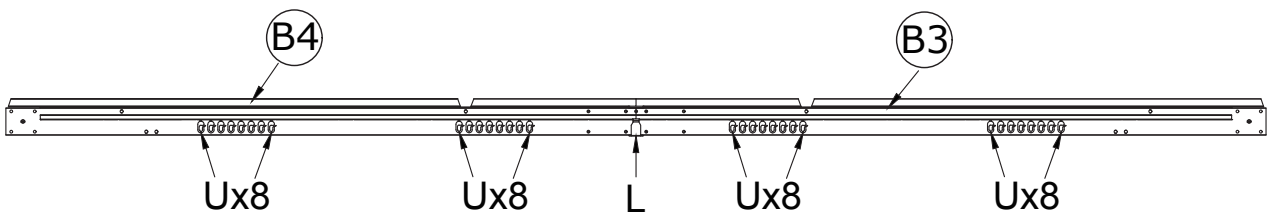
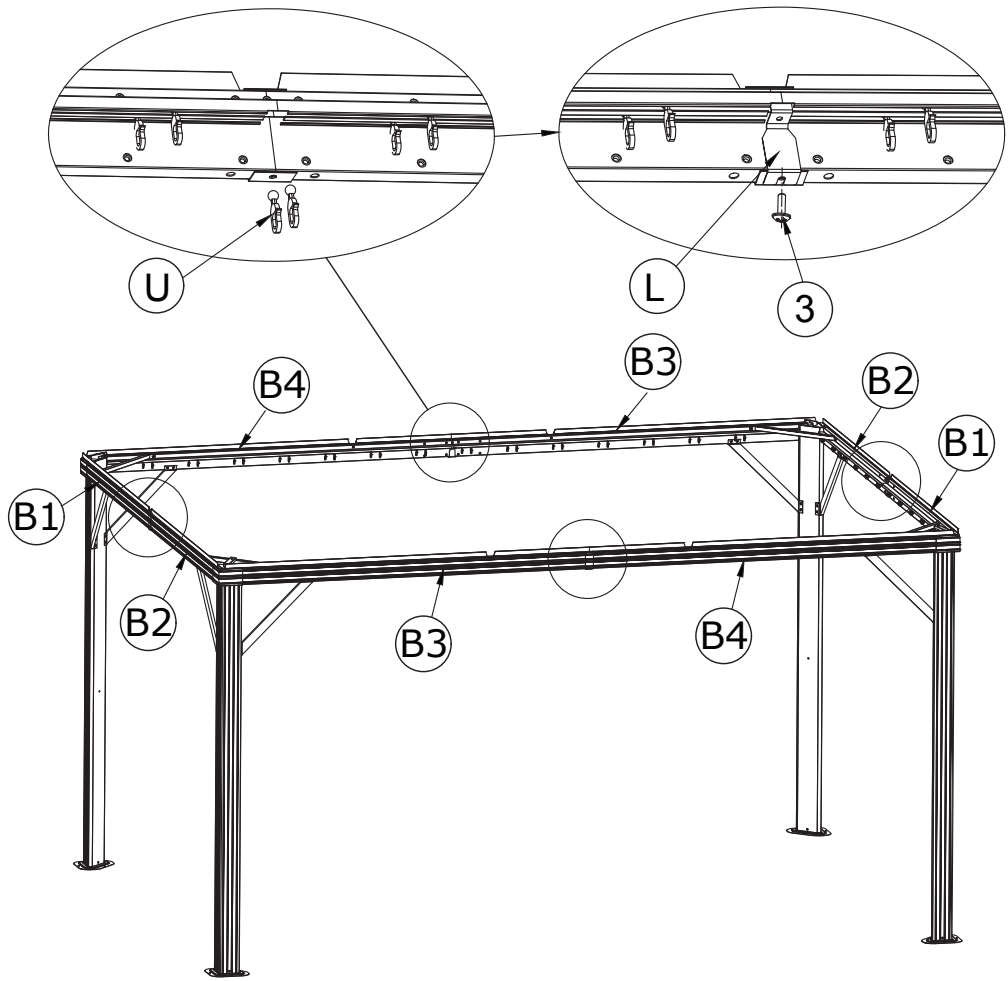
STEP 06

- 
G1 x 4
- 
G2 x 4
- 
ST4.8X13
- 
4 x 24



STEP 07

- 
L x 4
- 
U x 112
- 
M5x12
3 x 4



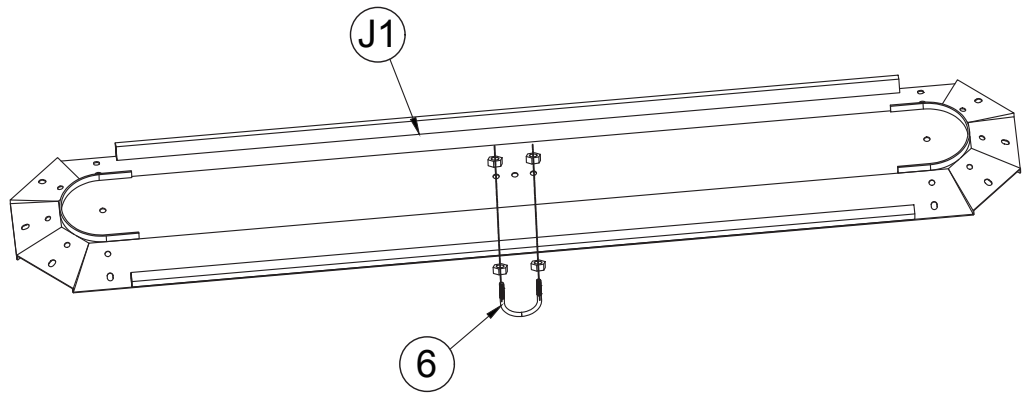
STEP 08



J1 x 1



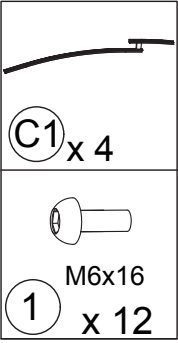
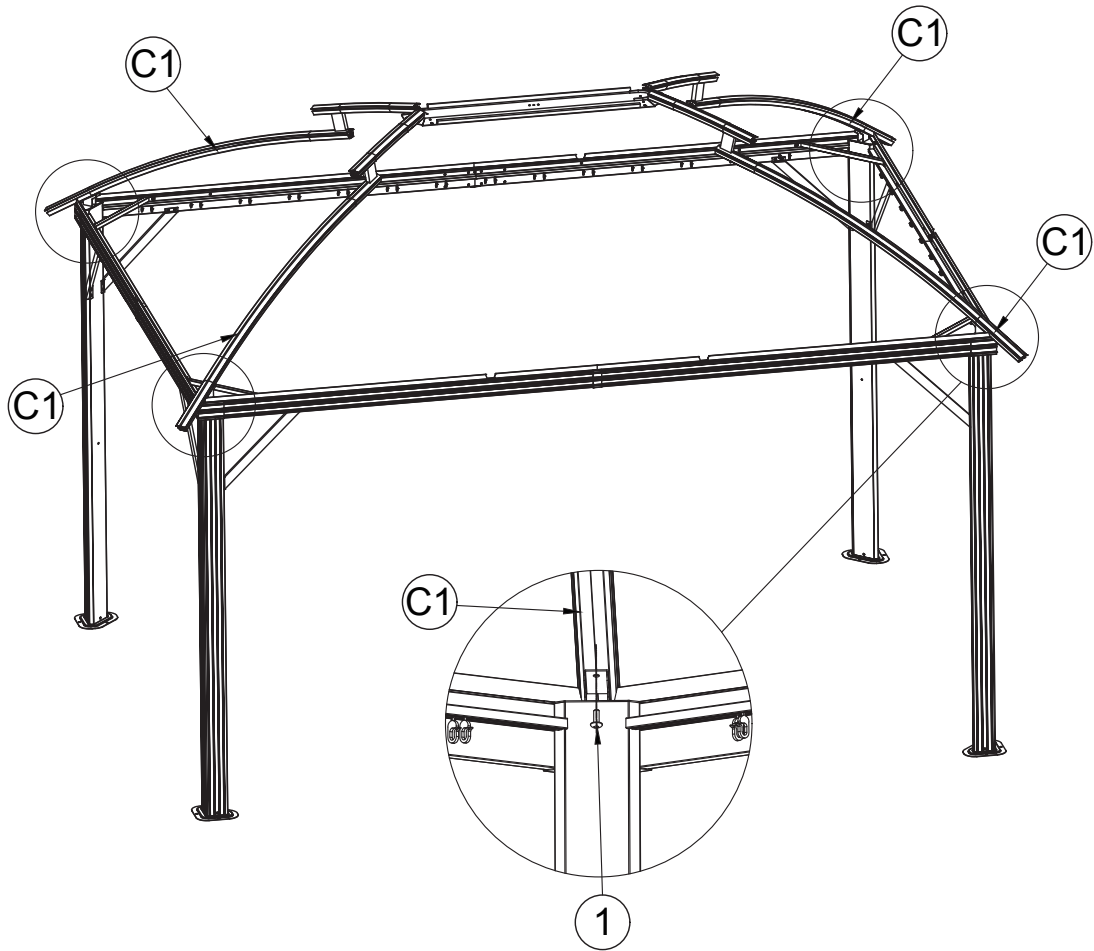
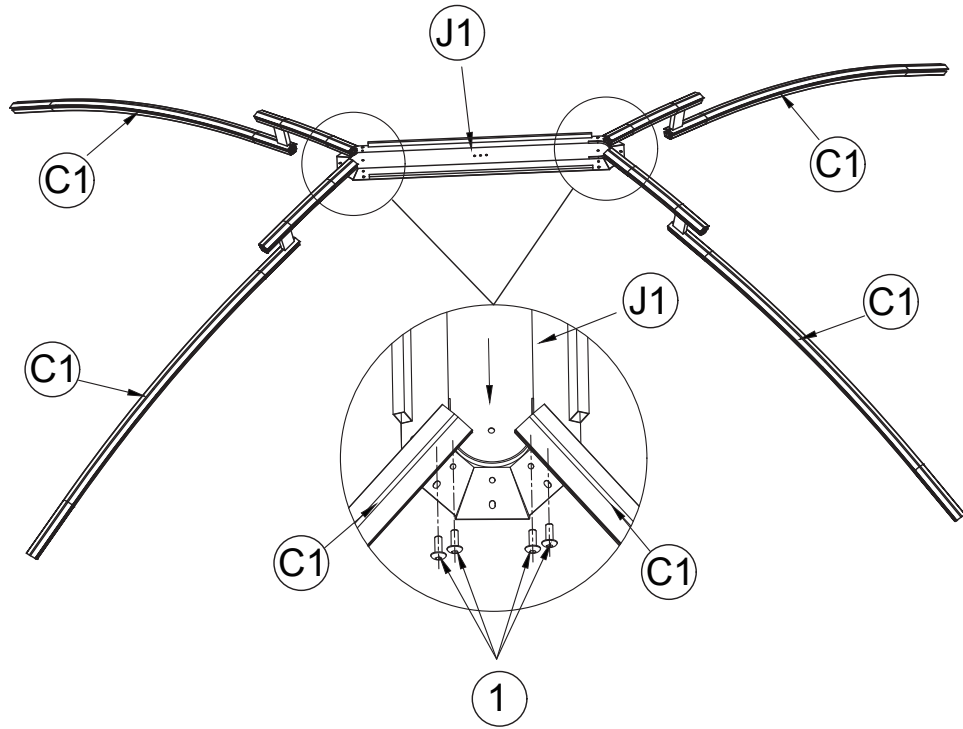
6 x 1




STEP 09

C1 x 4

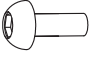
1 M6x16 x 12

The legend block contains two items. The first is a curved metal bar labeled 'C1 x 4'. The second is a bolt labeled '1 M6x16 x 12'.

STEP 10

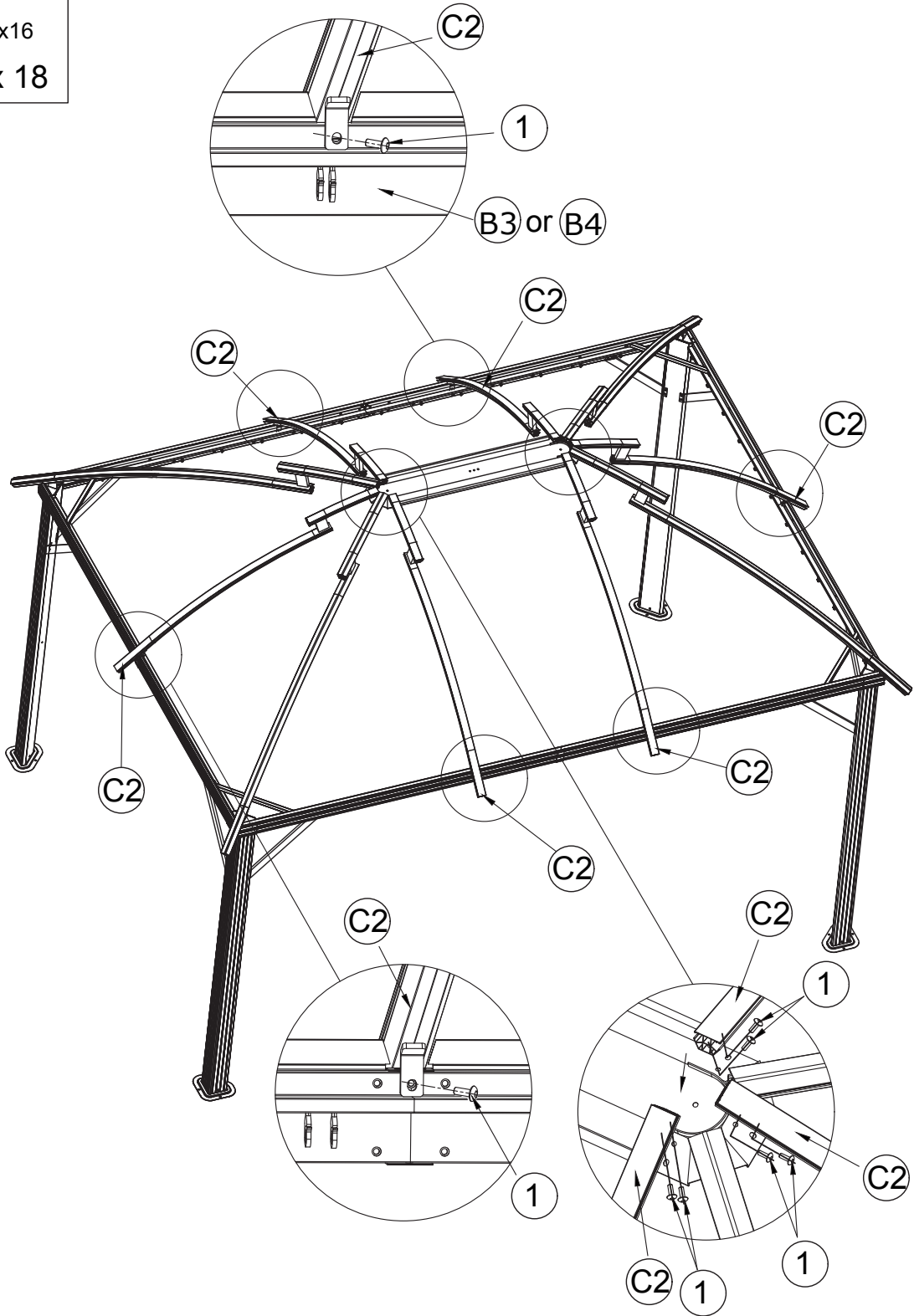


(C2) x 6

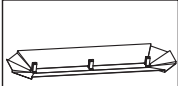


M6x16

(1) x 18



STEP 11

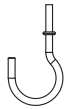


J2 x 1

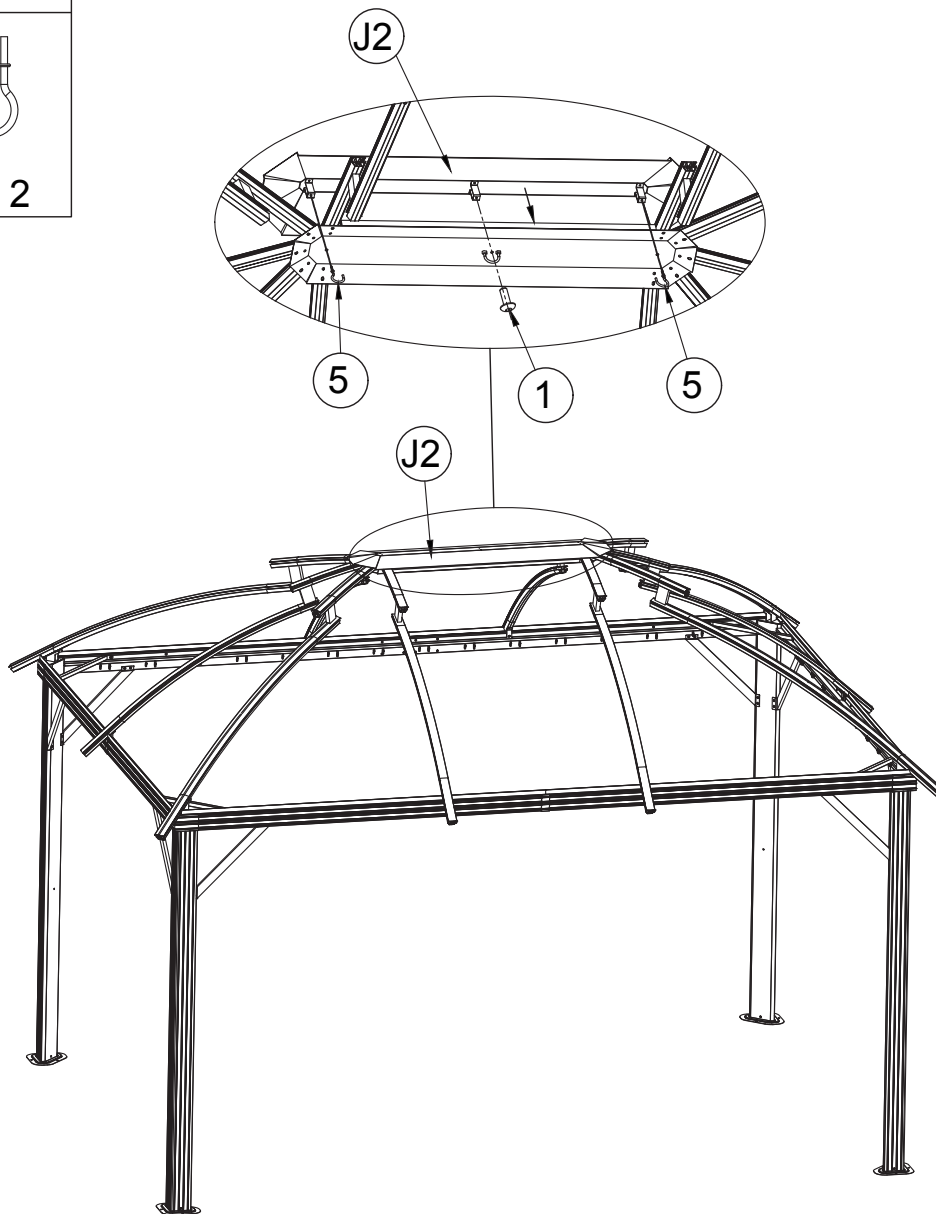


M6x16

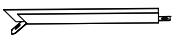




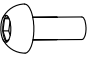

1 x 1

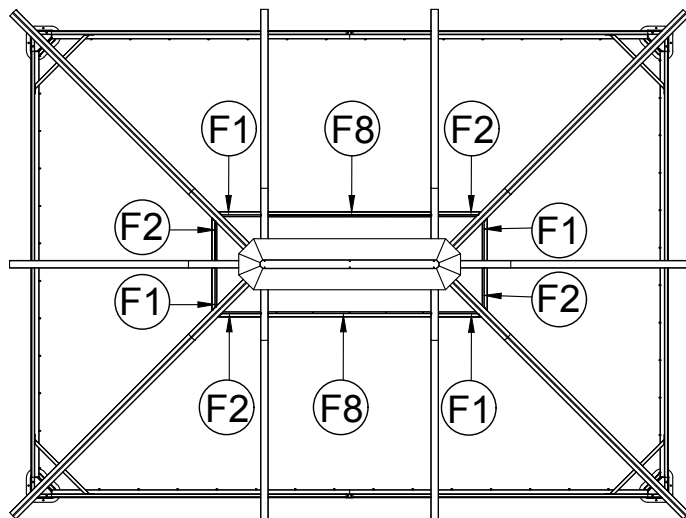
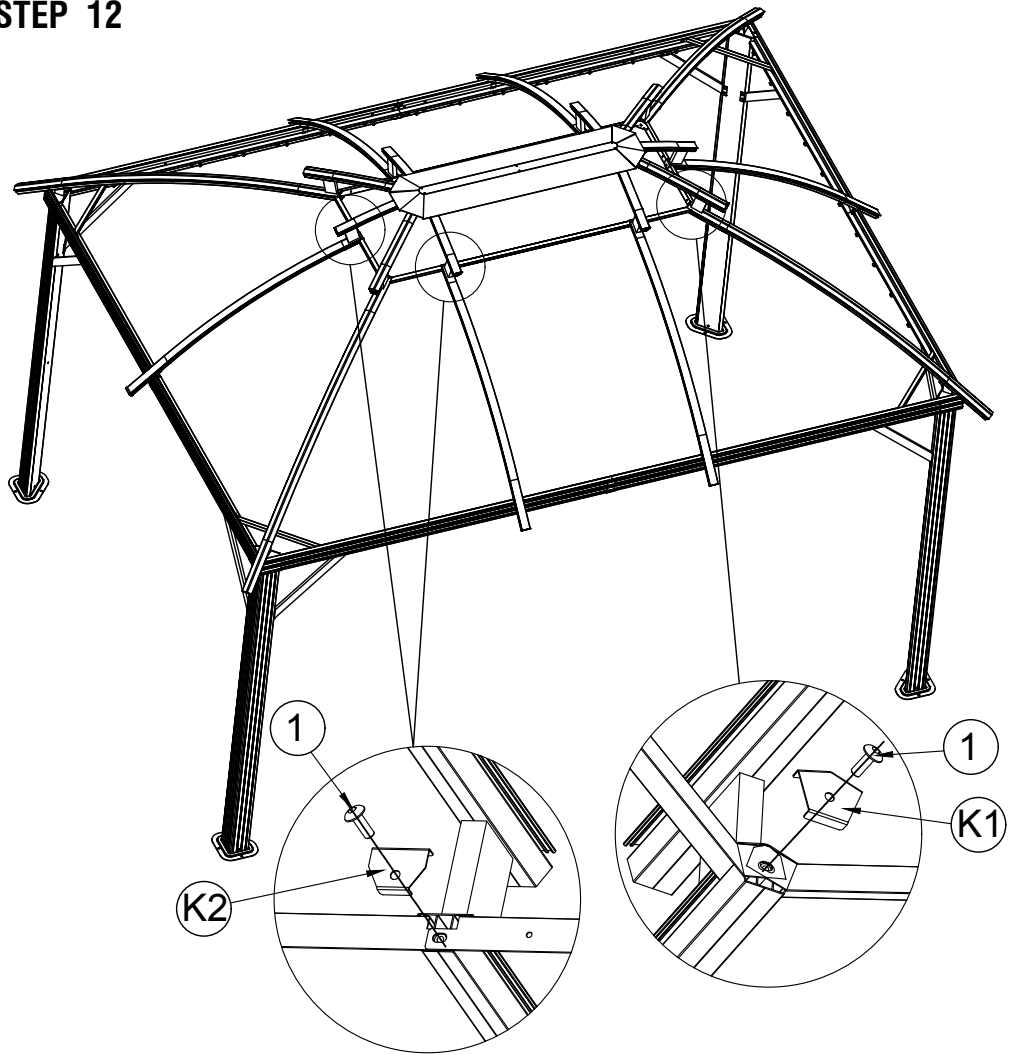


5 x 2






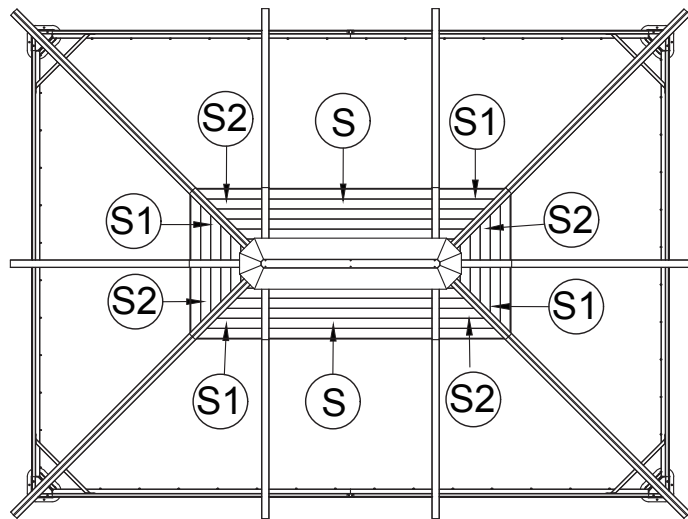
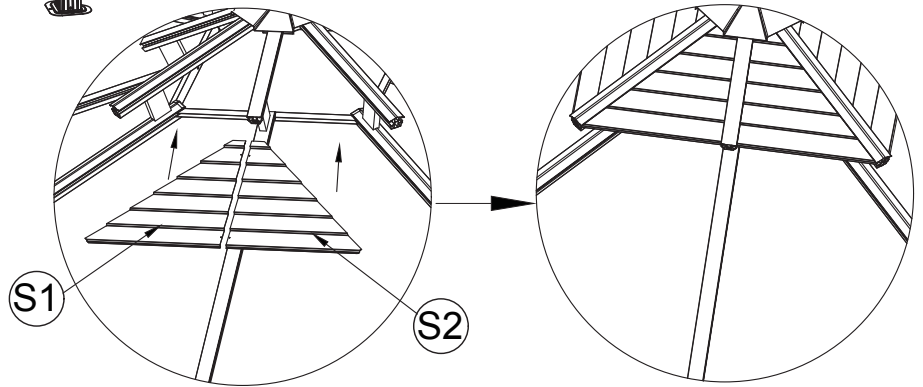
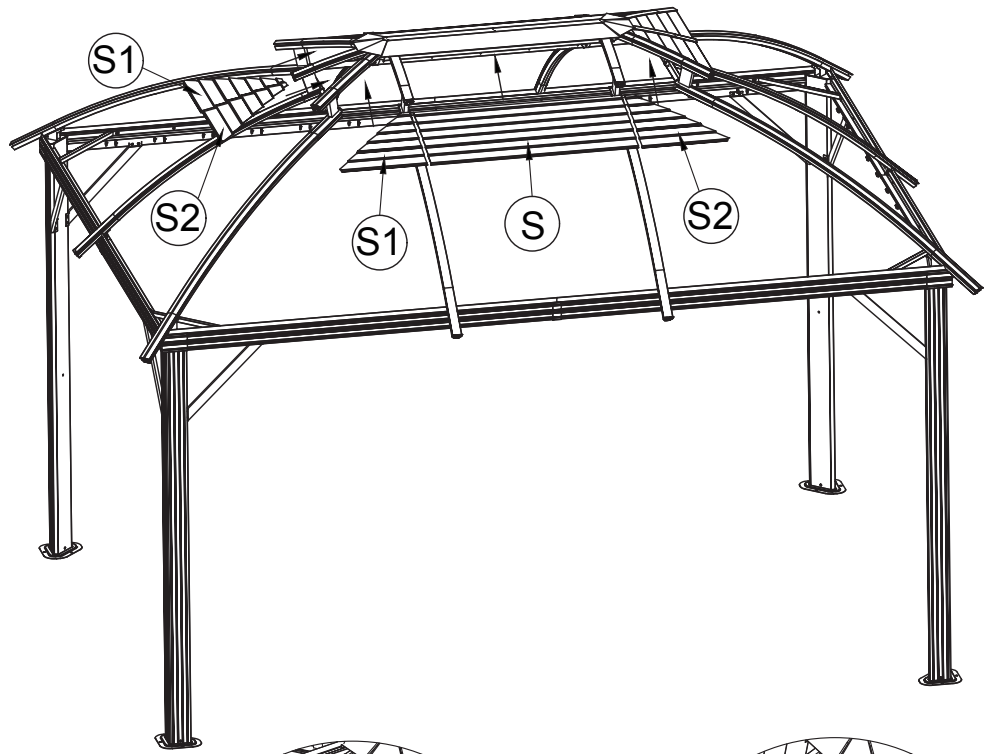
STEP 12

- 
F1 x 4
- 
F2 x 4
- 
F8 x 2
- 
K1 x 4
- 
K2 x 6
- 
M6x16
- 
1 x 10


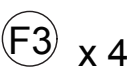

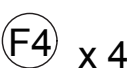

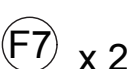


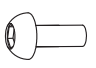



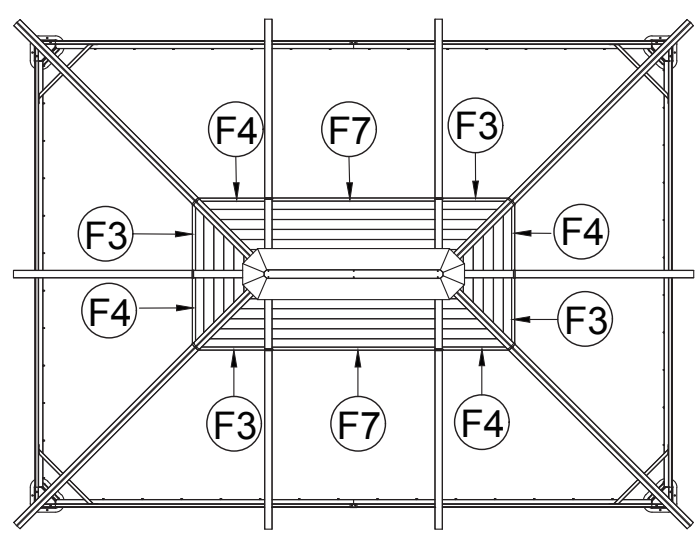
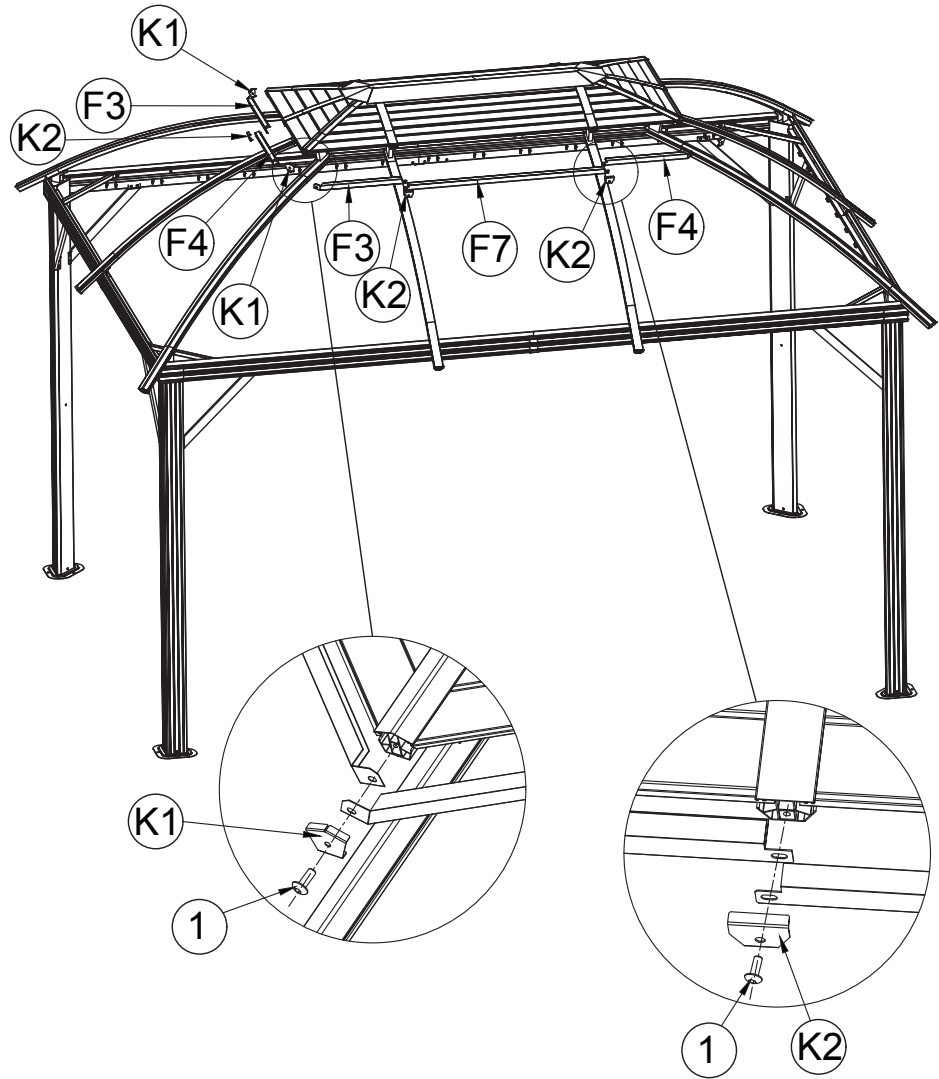
STEP 13


(S) x 2

(S1) x 4

(S2) x 4

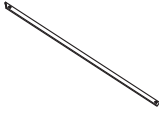

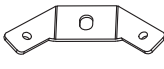

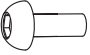
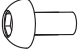


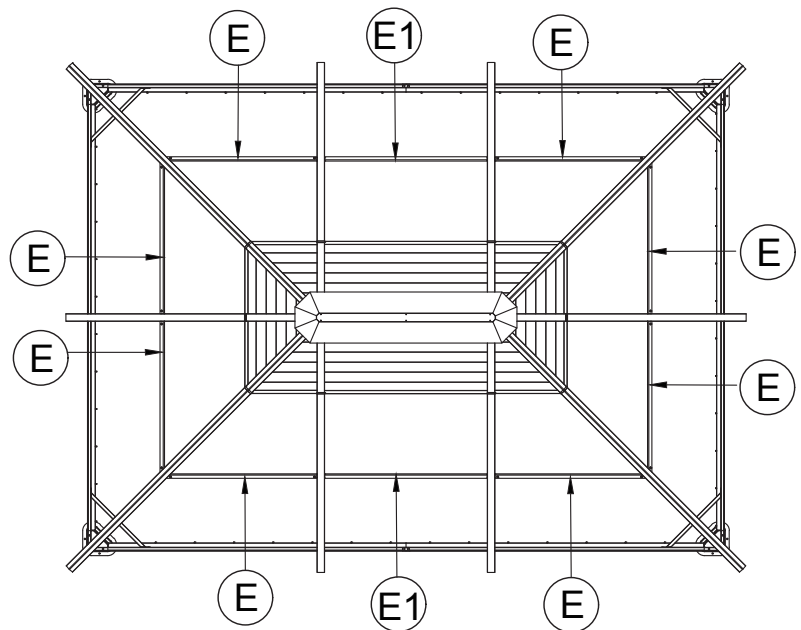
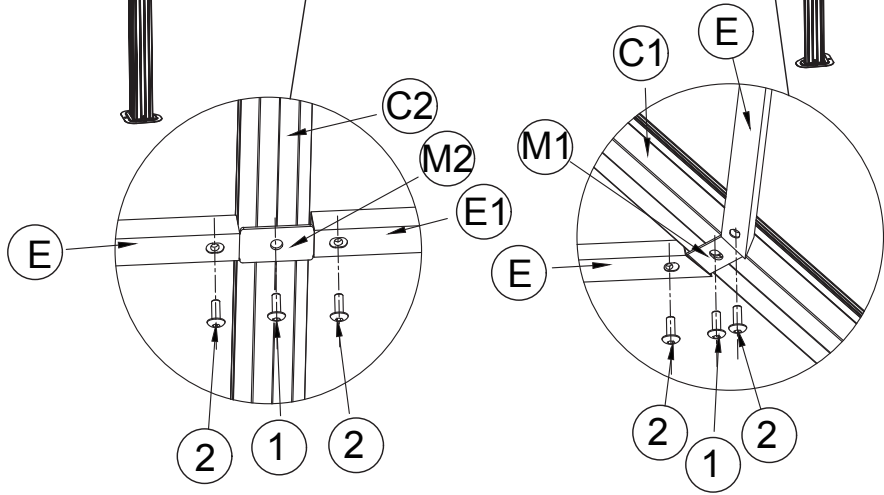
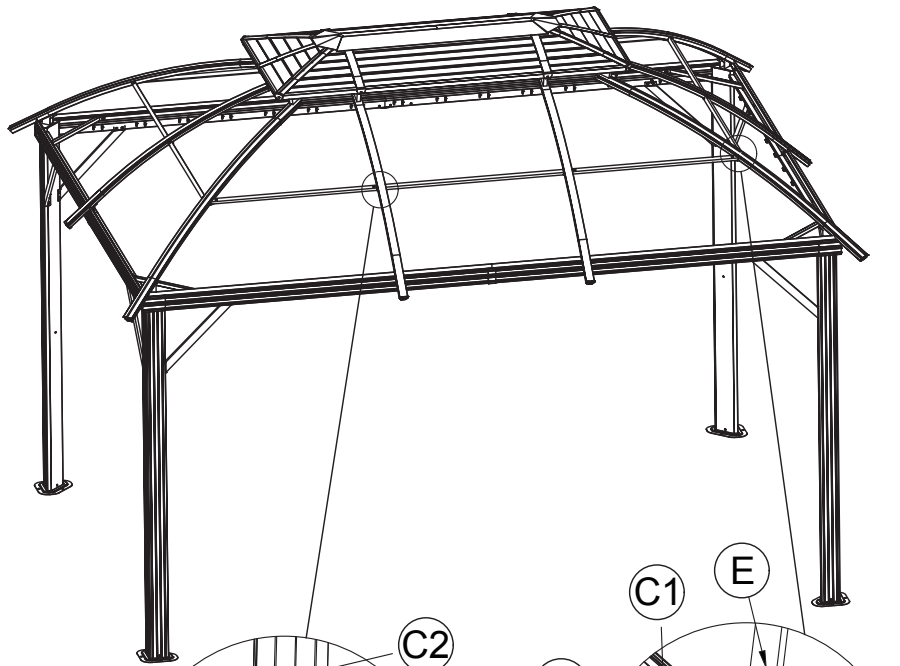
STEP 14

- 
-  F3 x 4
- 
-  F4 x 4
- 
-  F7 x 2
-  K1 x 4
-  K2 x 6
-  1
M6x16
-  1 x 10

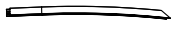


STEP 15

- 
Ⓔ x 8
- 
Ⓔ1 x 2
- 
Ⓜ1 x 4
- 
Ⓜ2 x 6
- 
M6x16
① x 10
- 
M6x10
② x 20



STEP 16



N1 x 4



N2 x 4



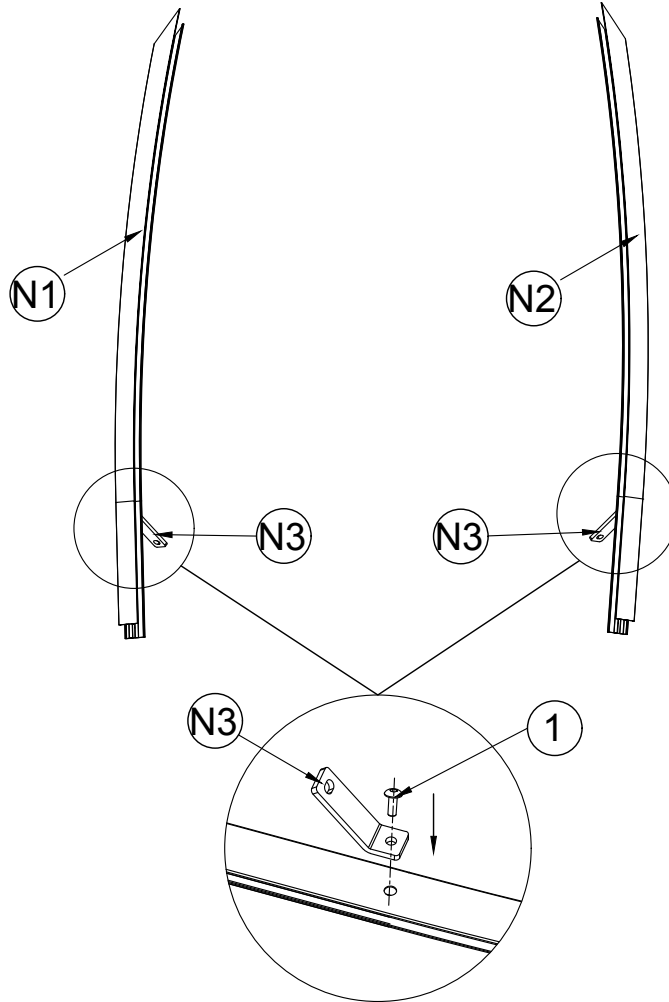
N3 x 8



M6x16

1 x 8

x4

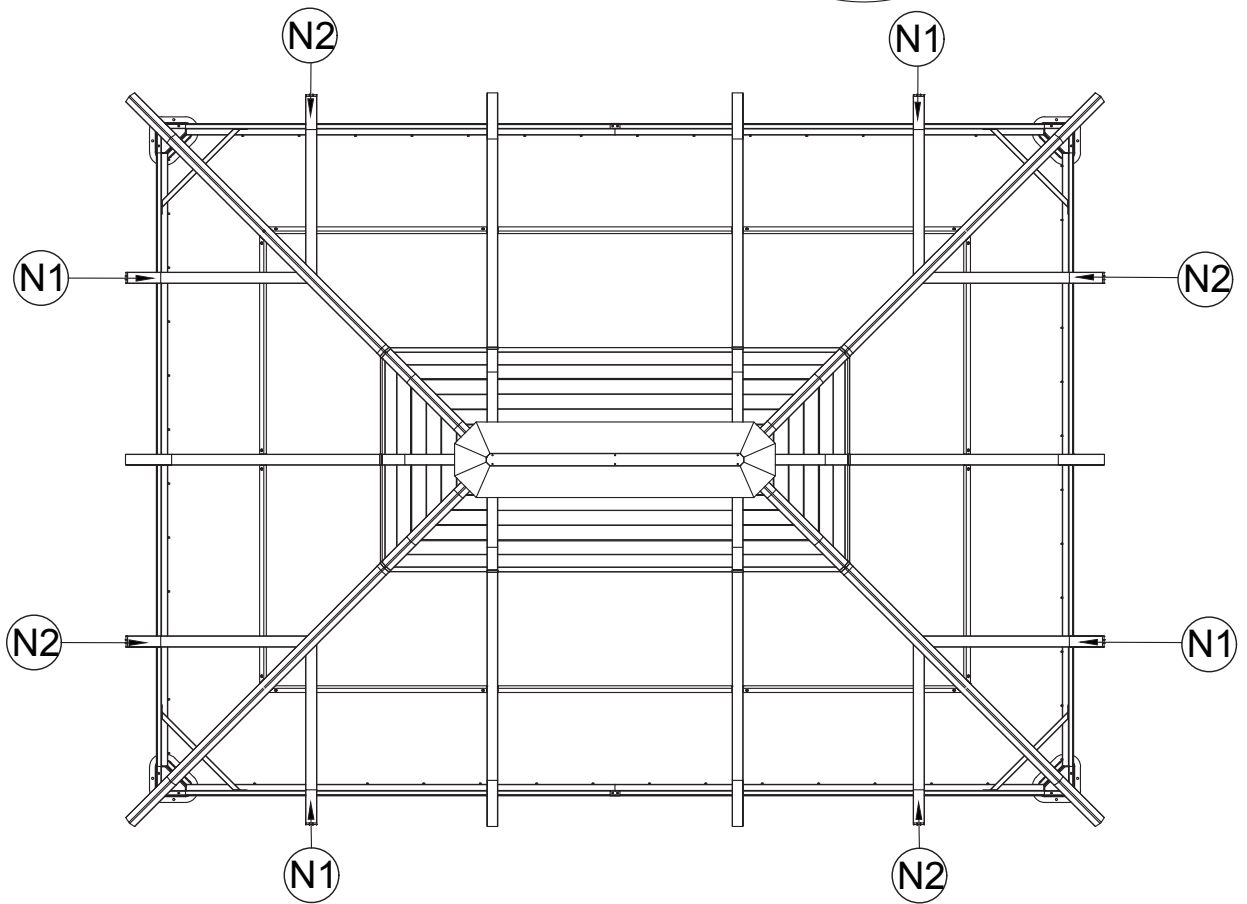
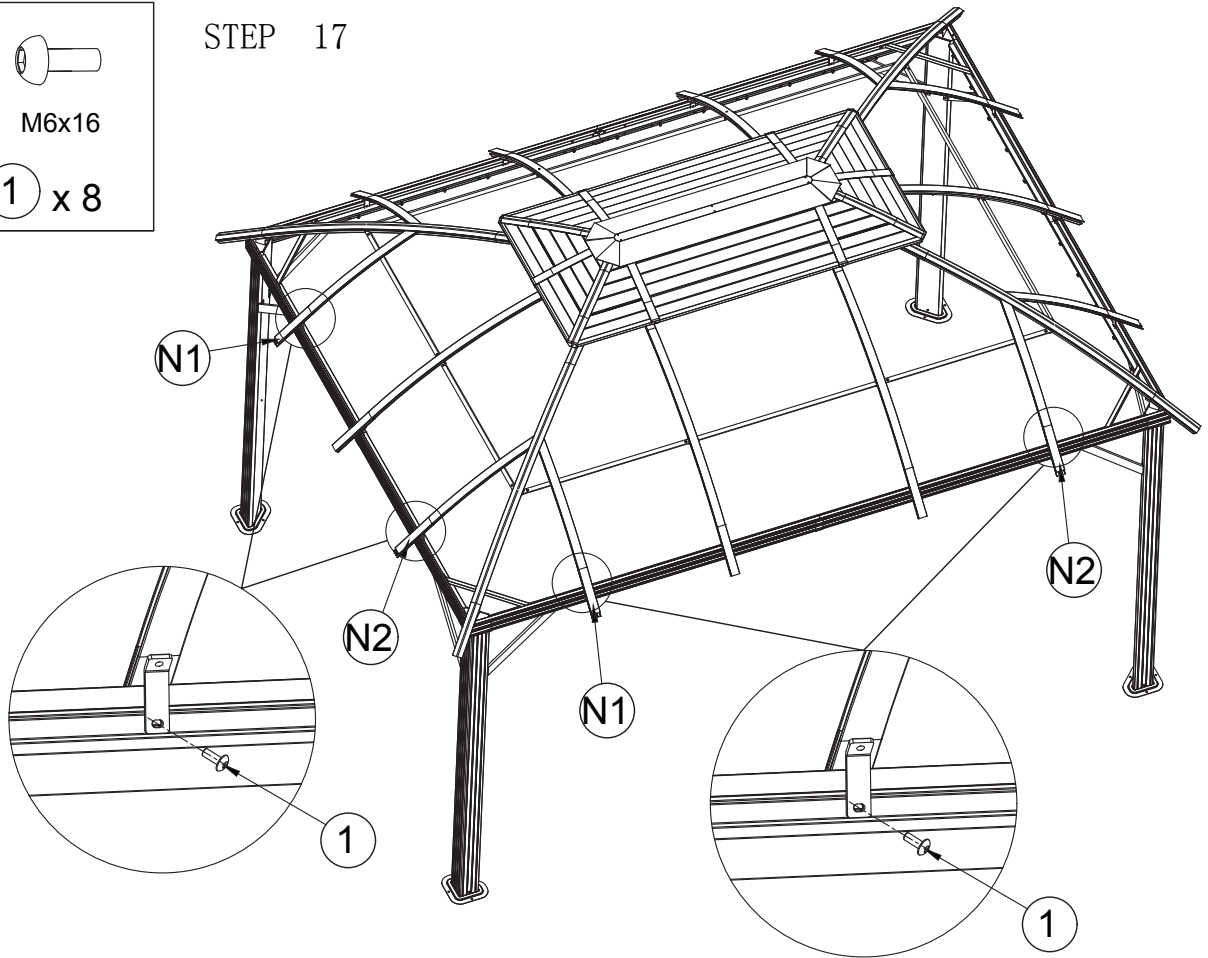


STEP 17

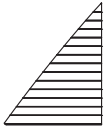


M6x16

1 x 8



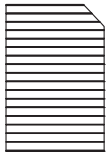
STEP 18



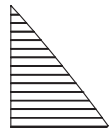
Q1 x 1



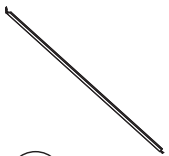
Q2 x 1



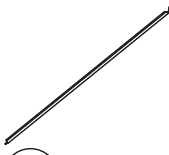
Q3 x 1



Q4 x 1



F5 x 1



F6 x 1

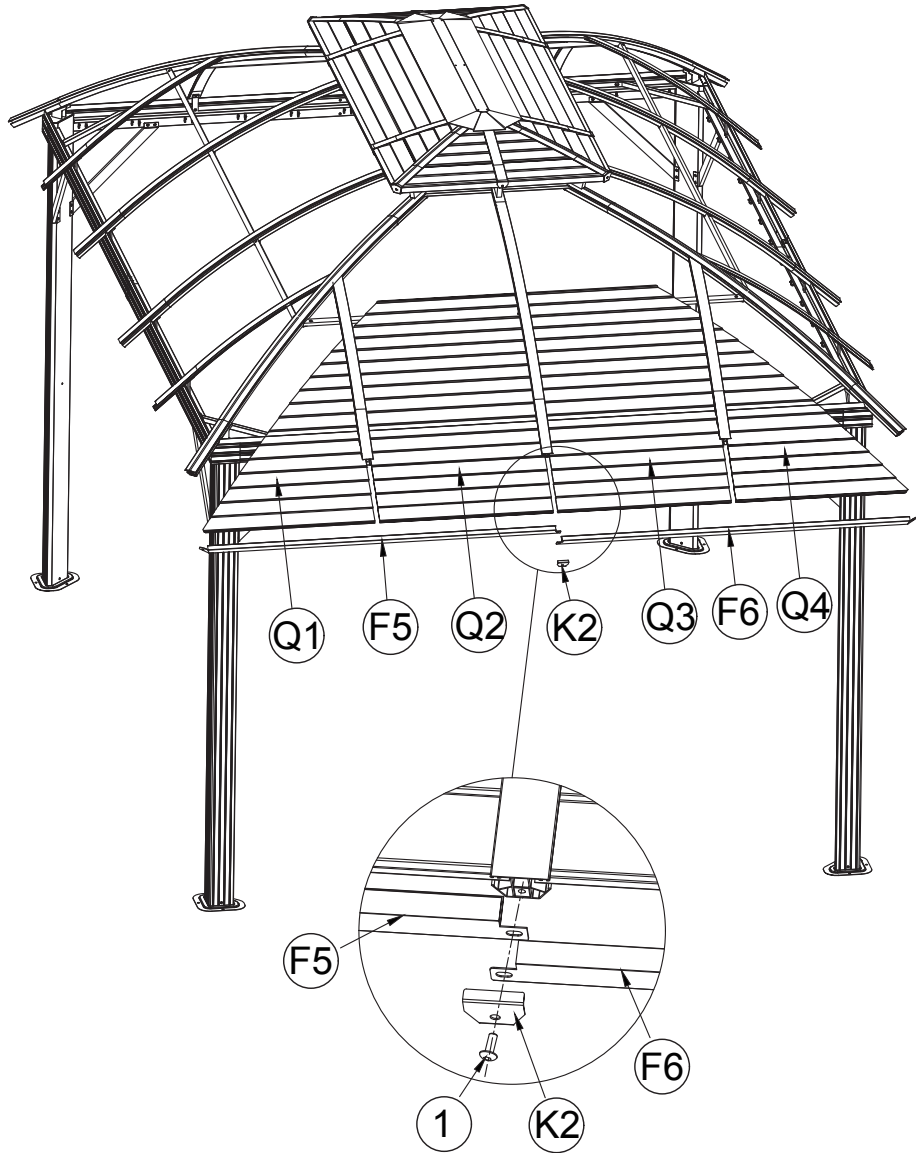


K2 x 1

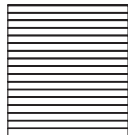

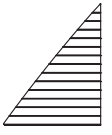
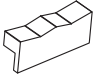

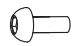


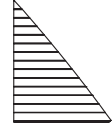
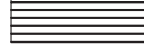
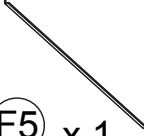





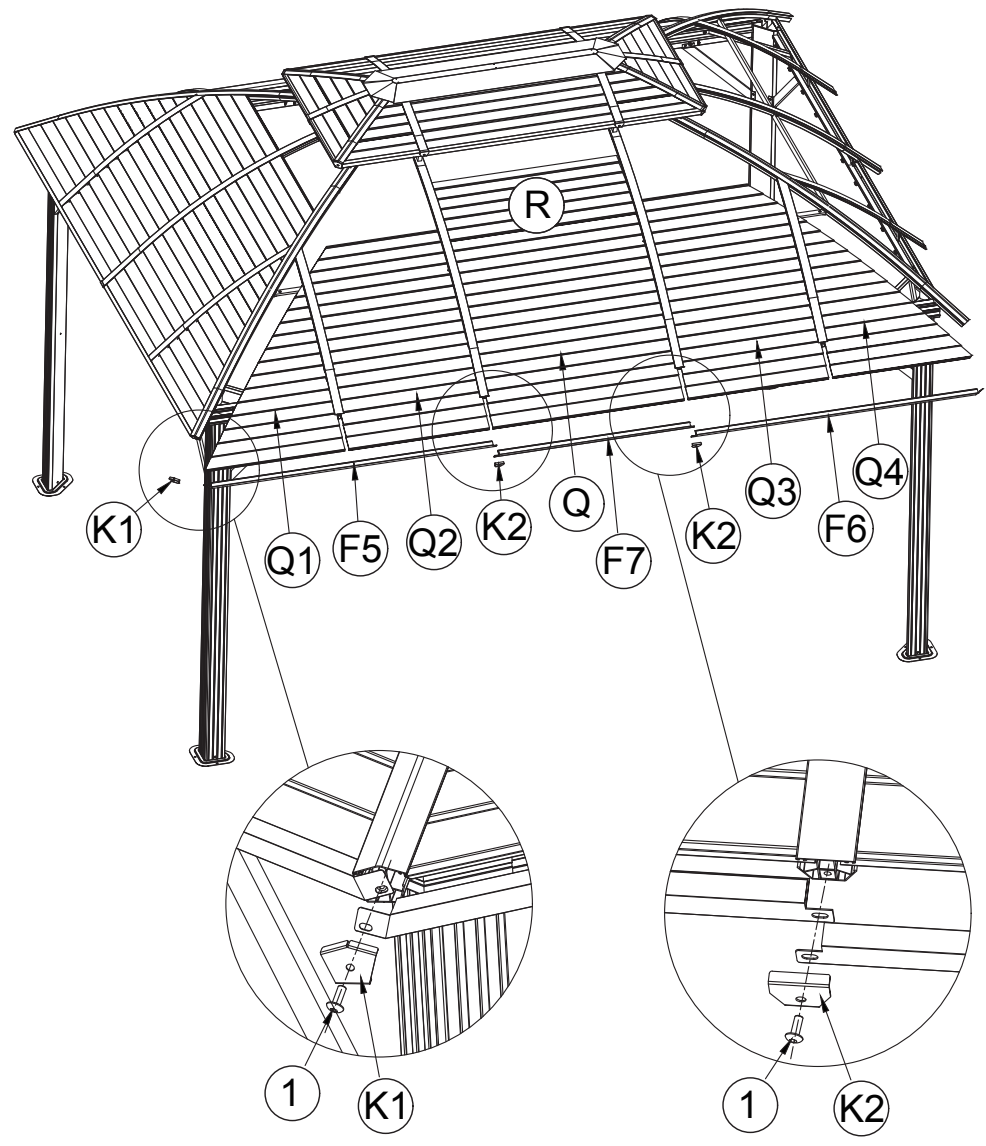
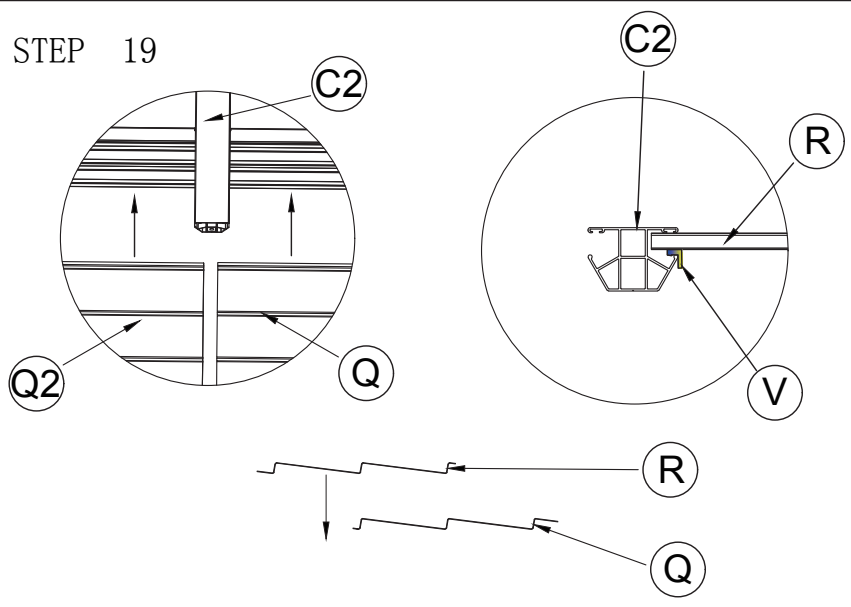
M6x16

1 x 1

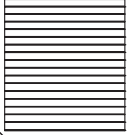

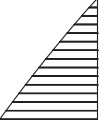
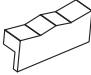
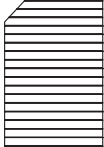
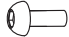
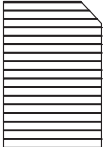

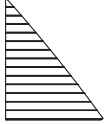
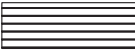
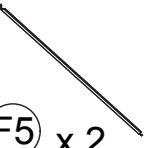





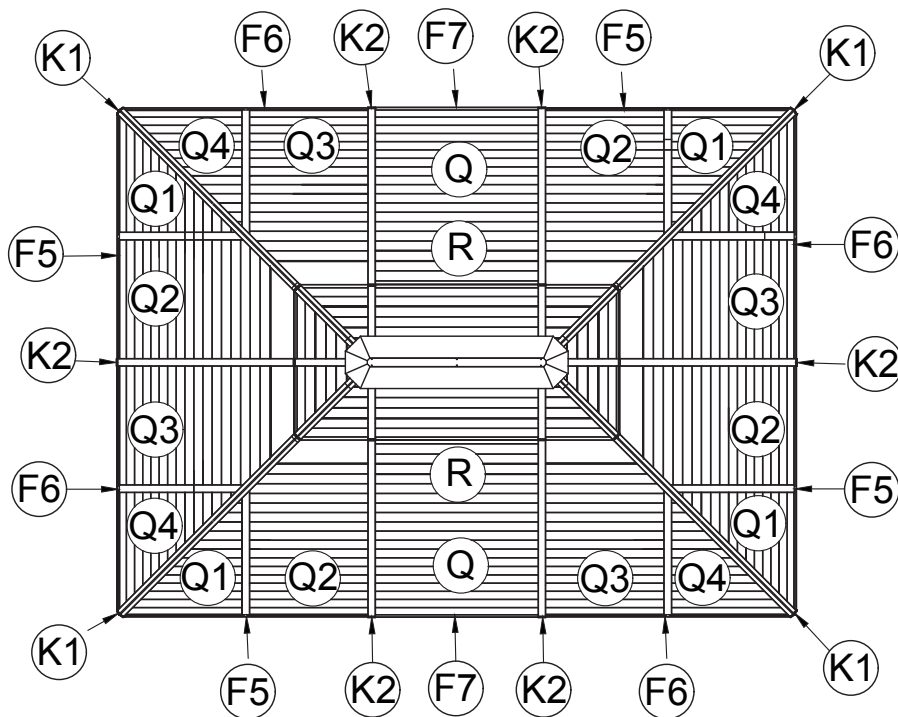
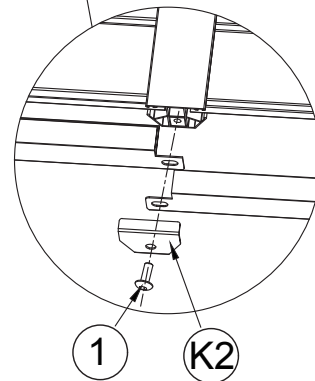
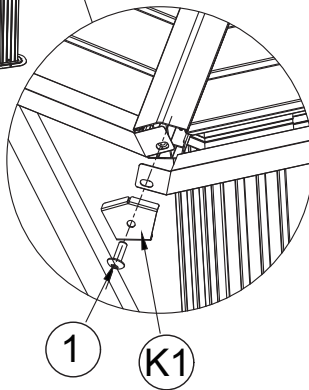
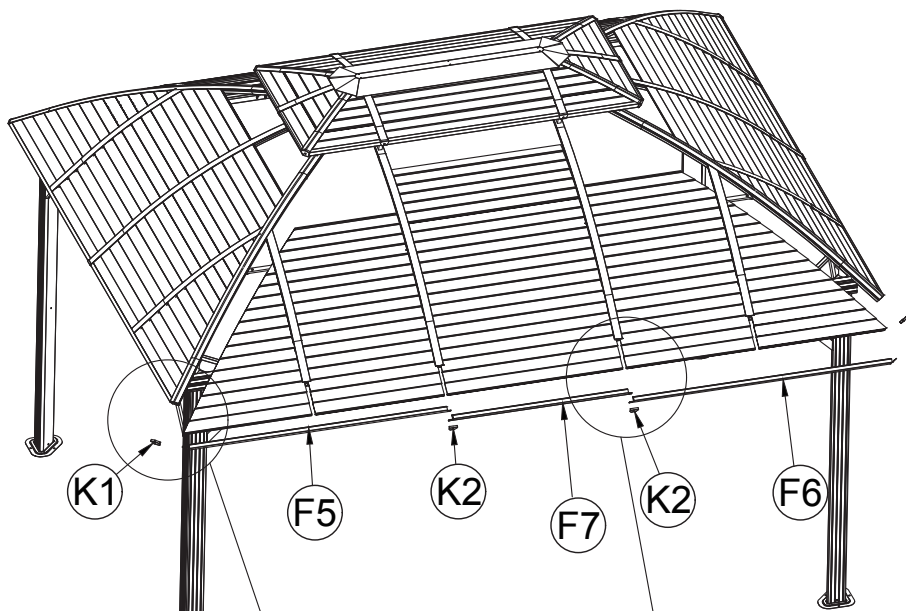
STEP 19

- | | |
|---|---|
|  |  |
| Q x 1 | K2 x 2 |
|  |  |
| Q1 x 1 | V x 2 |
|  |  |
| Q2 x 1 | M6x16 |
|  |  |
| Q3 x 1 | 1 x 3 |
|  | |
| Q4 x 1 | |
|  | |
| R x 1 | |
|  | |
| F5 x 1 | |
|  | |
| F6 x 1 | |
|  | |
| F7 x 1 | |
|  | |
| K1 x 1 | |



STEP 20

 Q x 1	 K2 x 3
 Q1 x 2	 V x 2
 Q2 x 2	 M6x16
 Q3 x 2	 1 x 6
 Q4 x 2	
 R x 1	
 F5 x 2	
 F6 x 2	
 F7 x 1	
 K1 x 3	

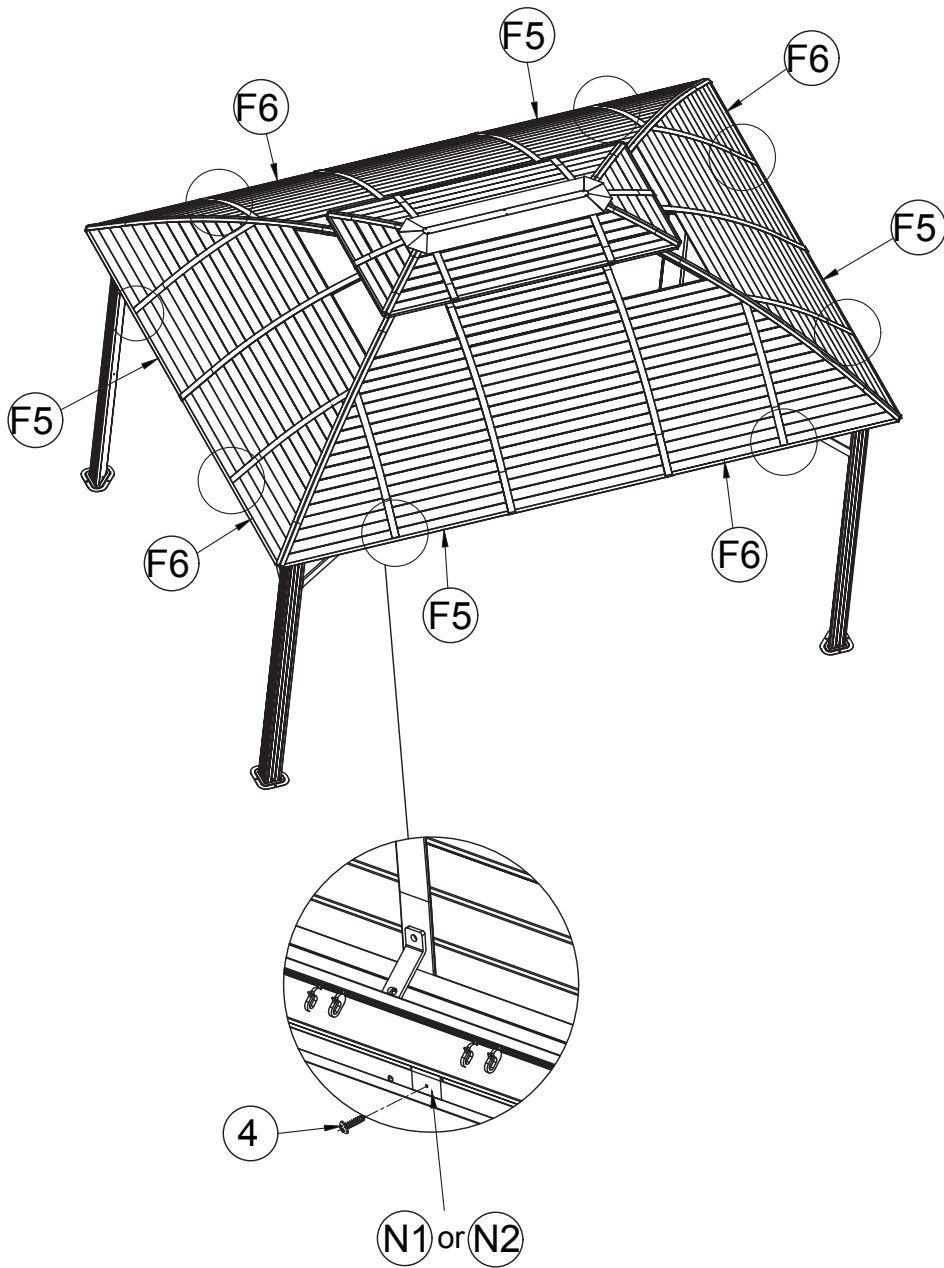







ST4.8X13

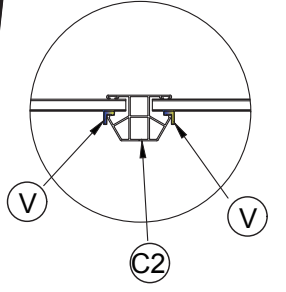
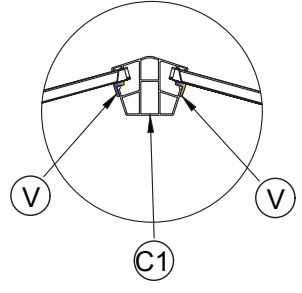
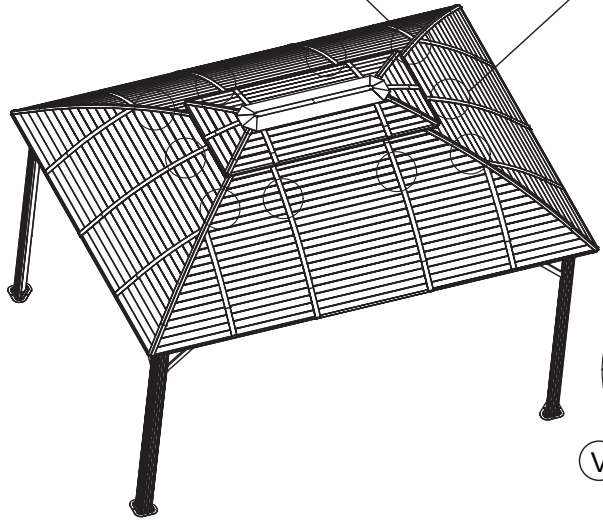
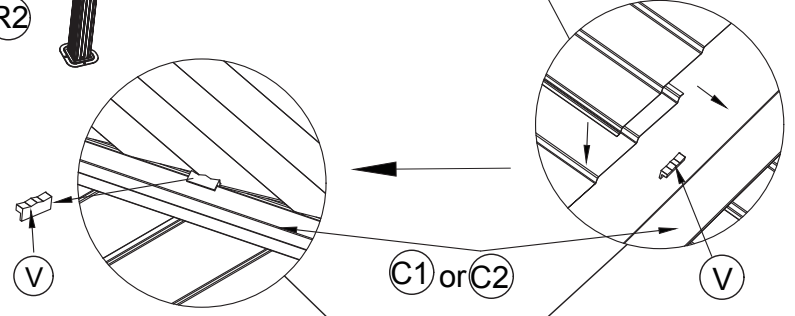
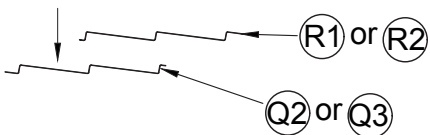
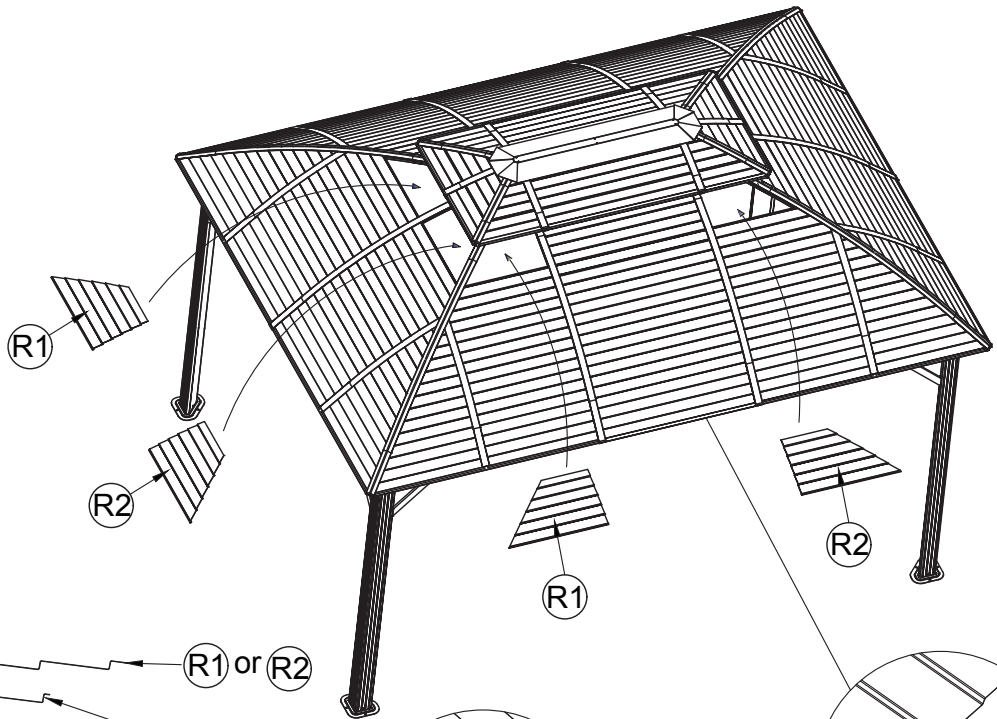
4 x 8

STEP 21



STEP 22

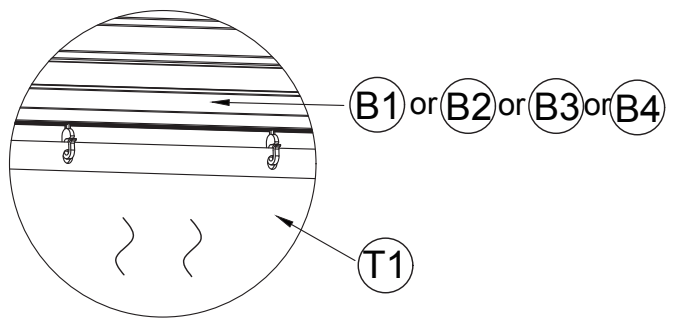
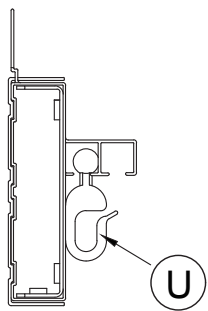
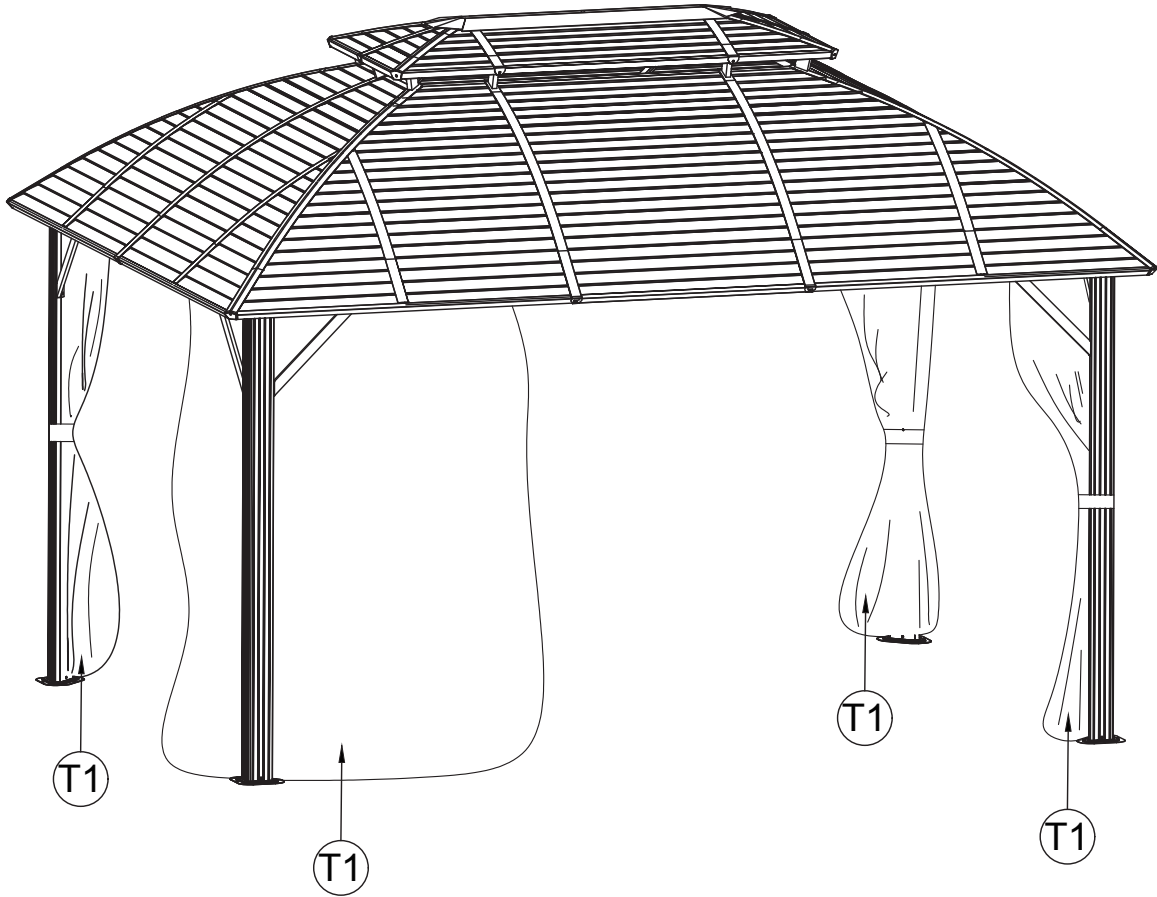
-  (R1) x 4
-  (R2) x 4
-  (V) x 16



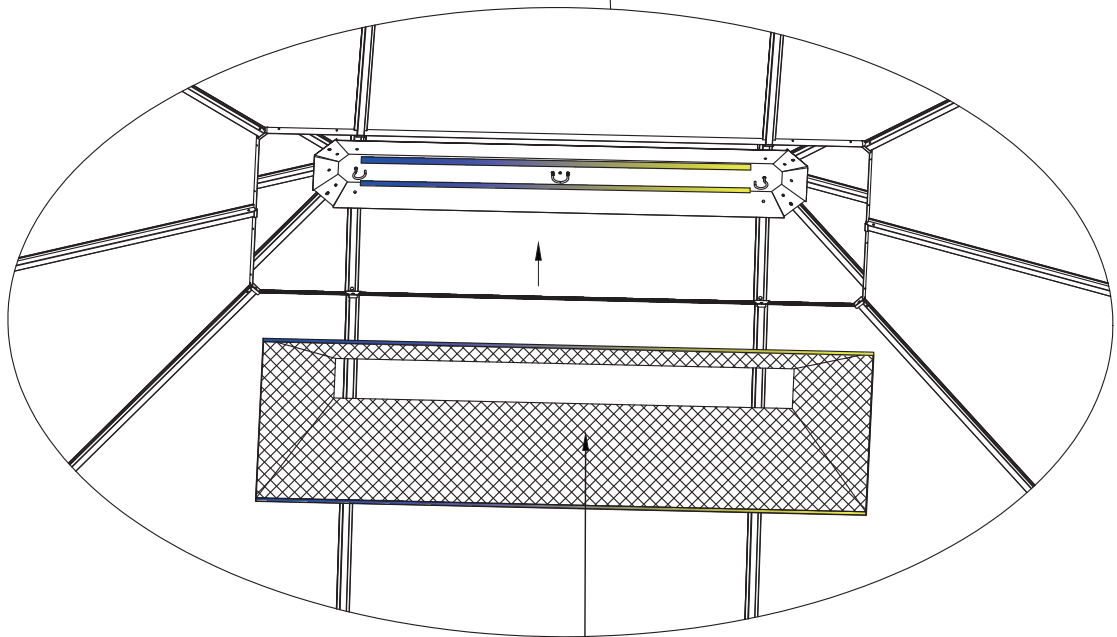
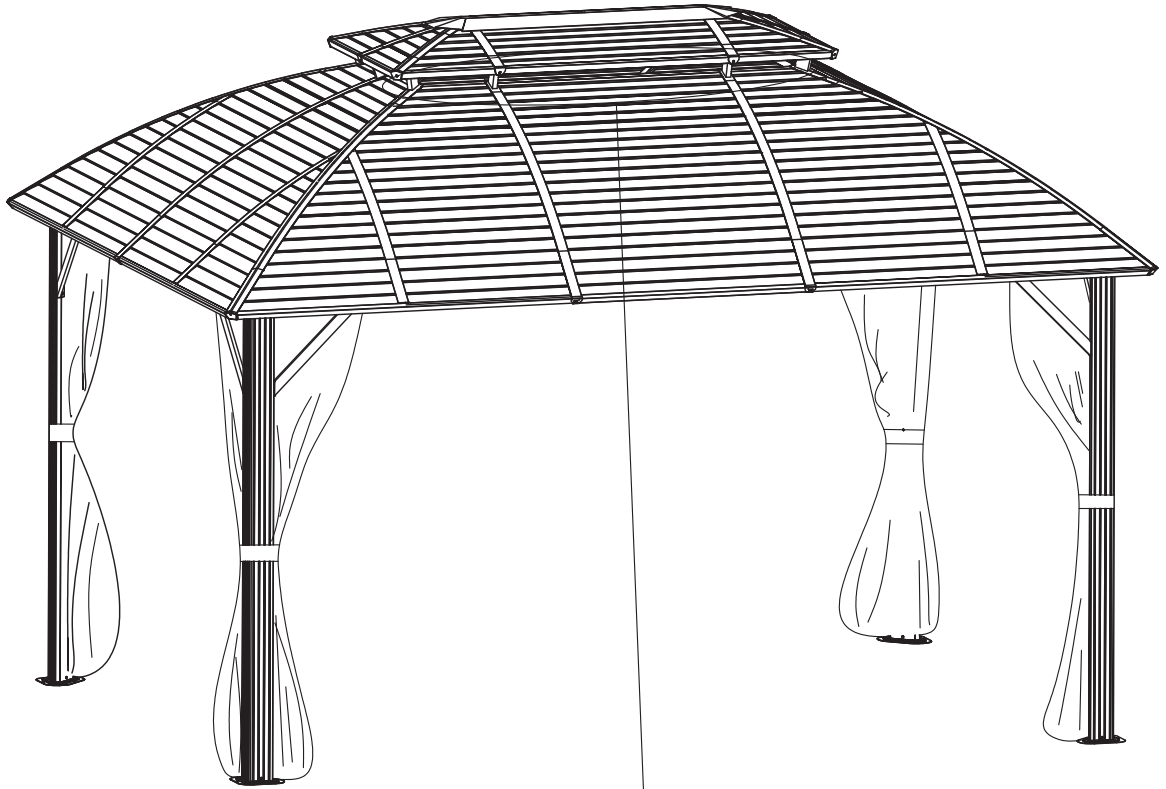
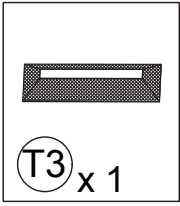
STEP 23



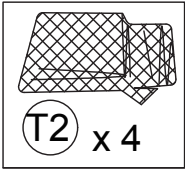
T1 x 4



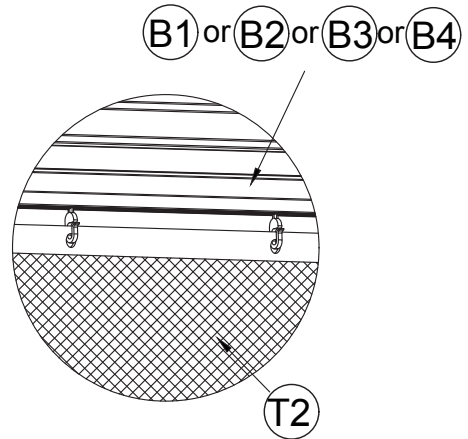
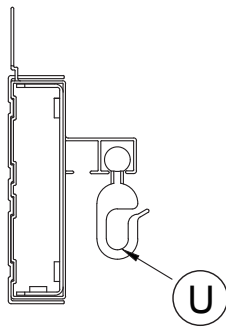
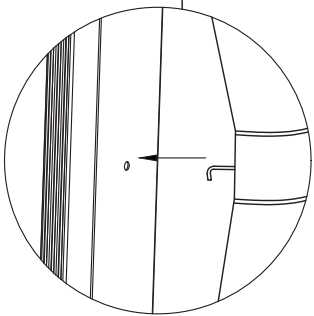
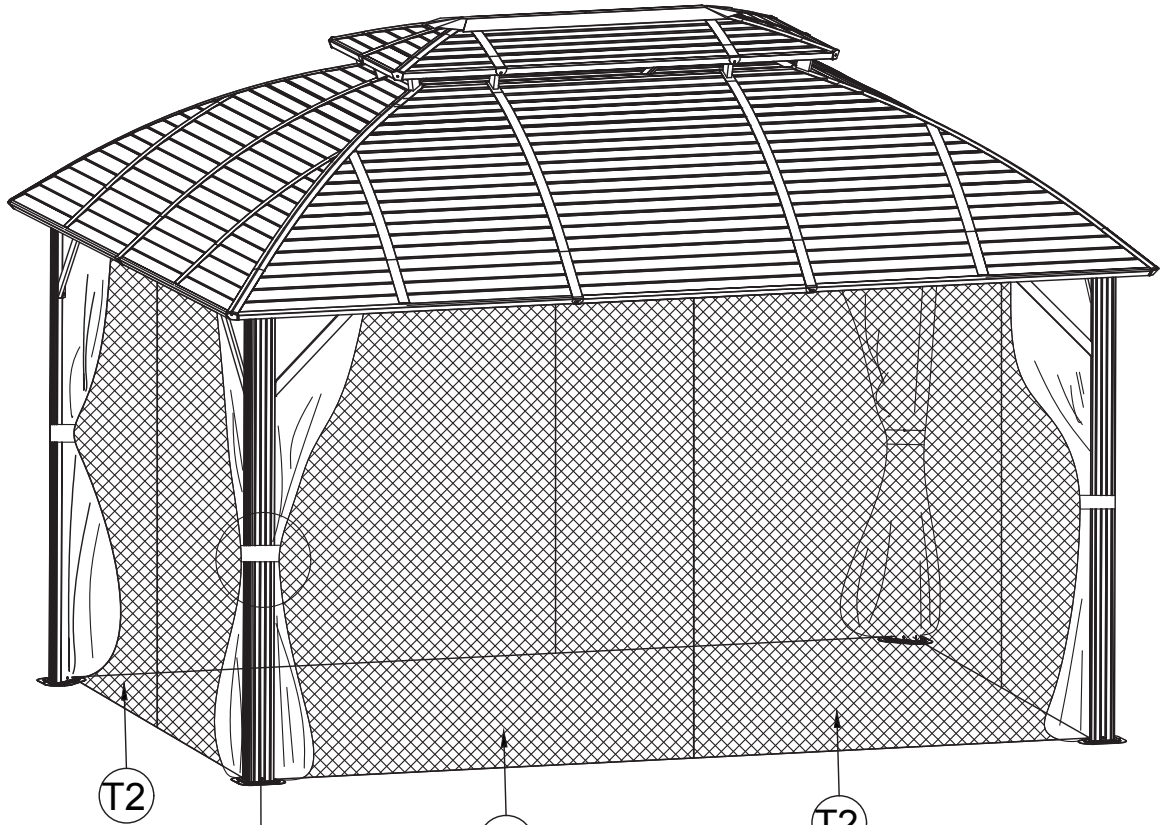
STEP 24



T3



STEP 25





STEP 26

7 x 12

