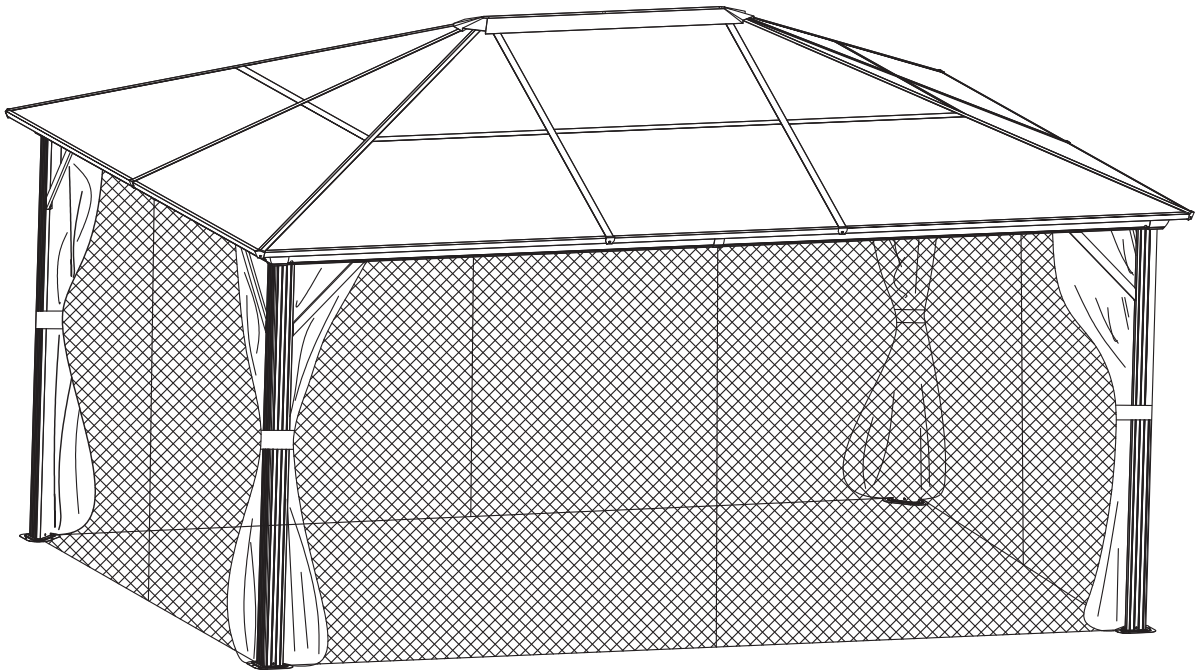


INSTRUCTION MANUAL

SKU:XWVG-279TN

12FTX16FT GAZEBO



Note: The gazebo needs to be installed in cooperation with four people. The following tools are not included and needed for assembly:



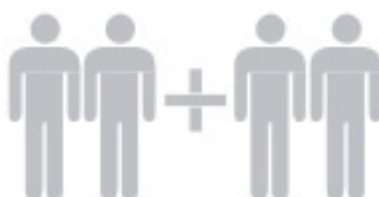
Pistol Drill



Tape Measure



2 m Adjustable Ladder



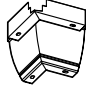
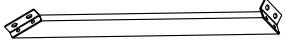
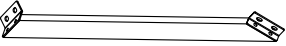





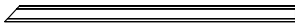
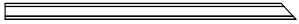
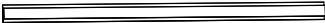


4 people




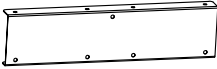


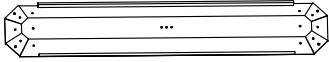




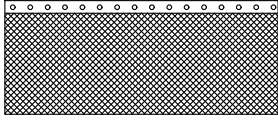
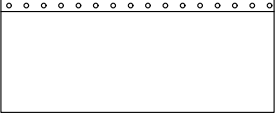
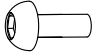
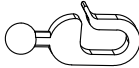
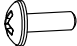

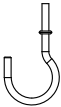

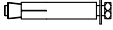


Warning

1. Four person assembly is required for this gazebo.
2. Please take appropriate actions as heavy rain, wind and snow can damage the gazebo. If necessary please disassemble and store for later use.
3. In snowy conditions, please do not allow the thickness of the snow to be more than 5 inches on the roof, this should be cleared as soon as possible for your safety. When the wind speed reaches 61.2km/h, please take measures to avoid the wind.


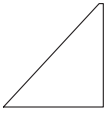
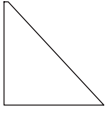
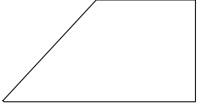
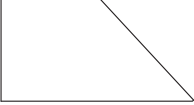
PARTS LIST (BOX A)

D	E	G	J1
			
2 PCS	2 PCS	4 PCS	4 PCS
J2	M	N	Q3
			
4 PCS	4 PCS	6 PCS	2 PCS
T1	T2	U1	U2
			
4 PCS	4 PCS	4 PCS	4 PCS
U3			
			
2 PCS			


PARTS LIST (BOX B)


A	B	C	F
			
4 PCS	2 PCS	2 PCS	4 PCS
H	H1	K	K1
			
4 PCS	4 PCS	1 PCS	1 PCS
L	R	R1	Y
			
4 PCS	4 PCS	6 PCS	4 PCS
Ya	1#	4#	8#
	 M6x16		 M5x12
4 PCS	135 PCS	128 PCS	4 PCS
9#	12#	13#	14#
 ST4.8x13			 M6x50
24 PCS	2 PCS	1 PCS	12 PCS
			
2 PCS	1 PCS		

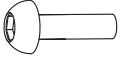
PARTS LIST (BOX C)

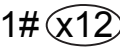
W	W1	W2	X1
			
4 PCS	4 PCS	4 PCS	4 PCS
X2			
			
4 PCS			

STEP 01

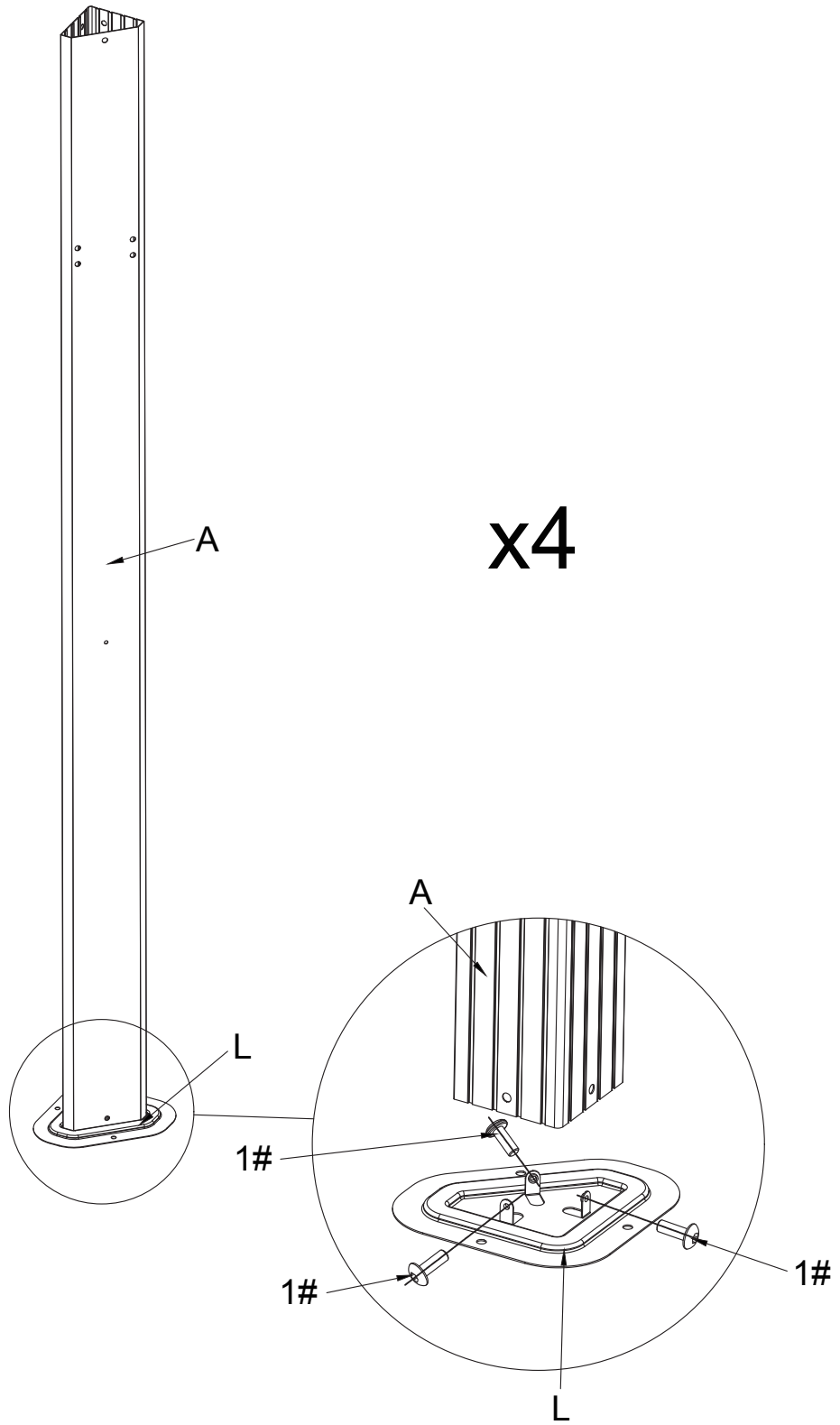
- 

A x4
- 

L x4
- 

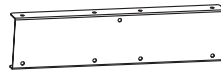
M6 x16
- 

1# x12





B (x2)



F (x2)

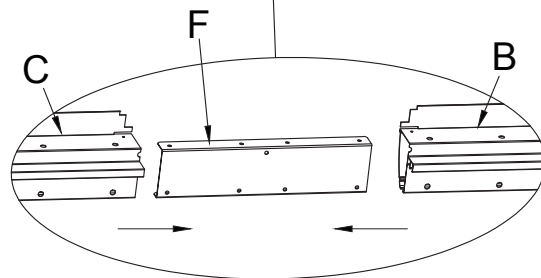
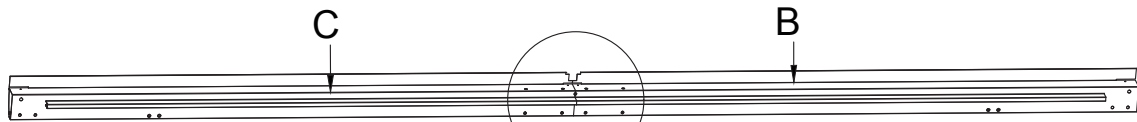


C (x2)

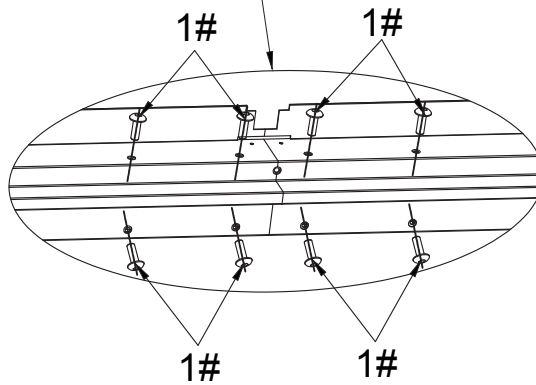


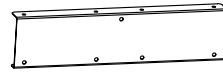
M6x16 1# (x16)

STEP 02



x2



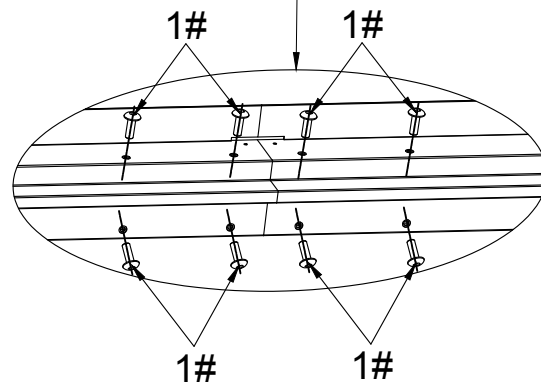
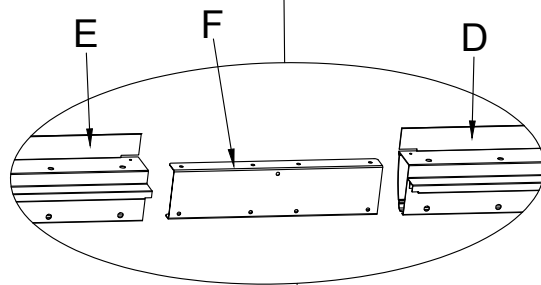
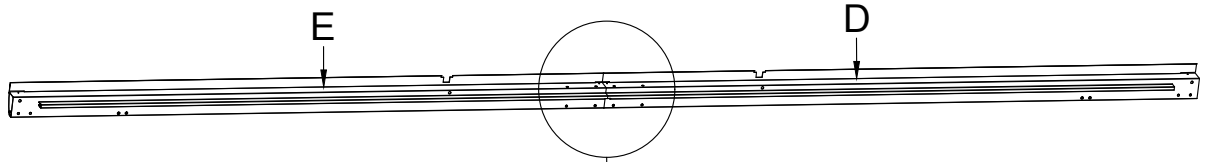


F x2



M6x16 1# x16

STEP 03



x2

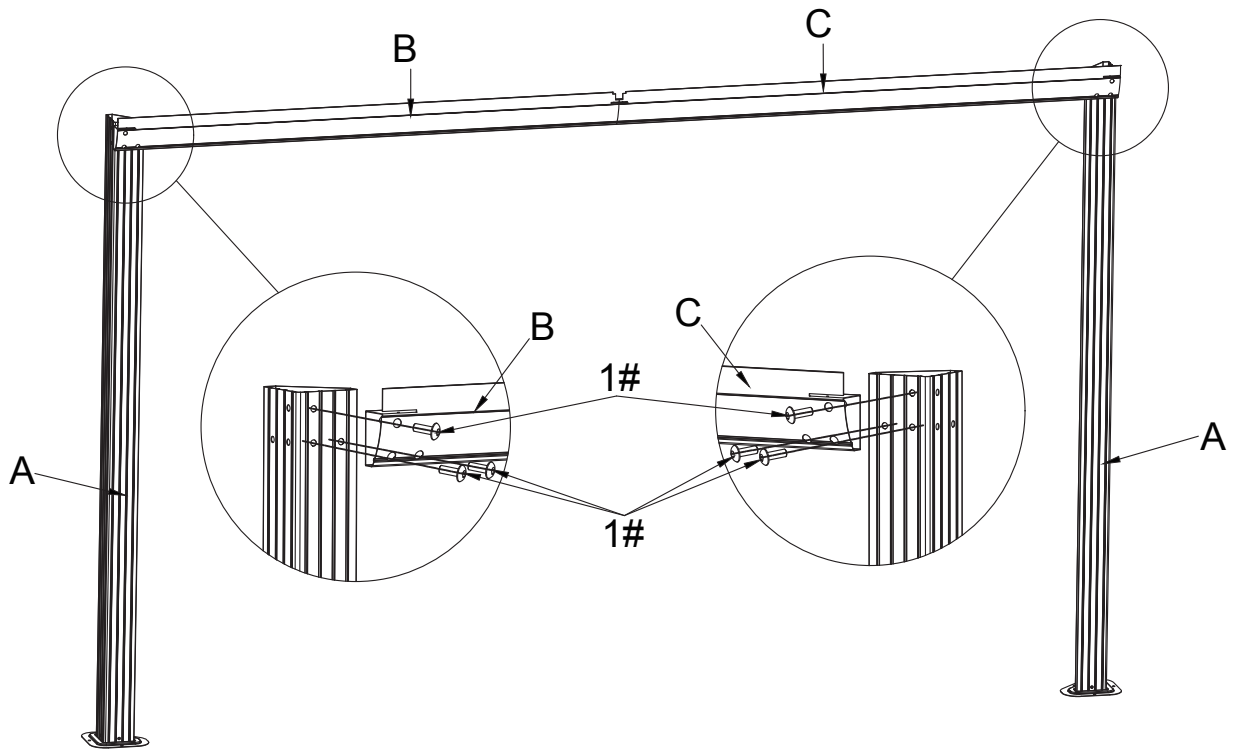


STEP 04

M6x16

1#(x12)

x2

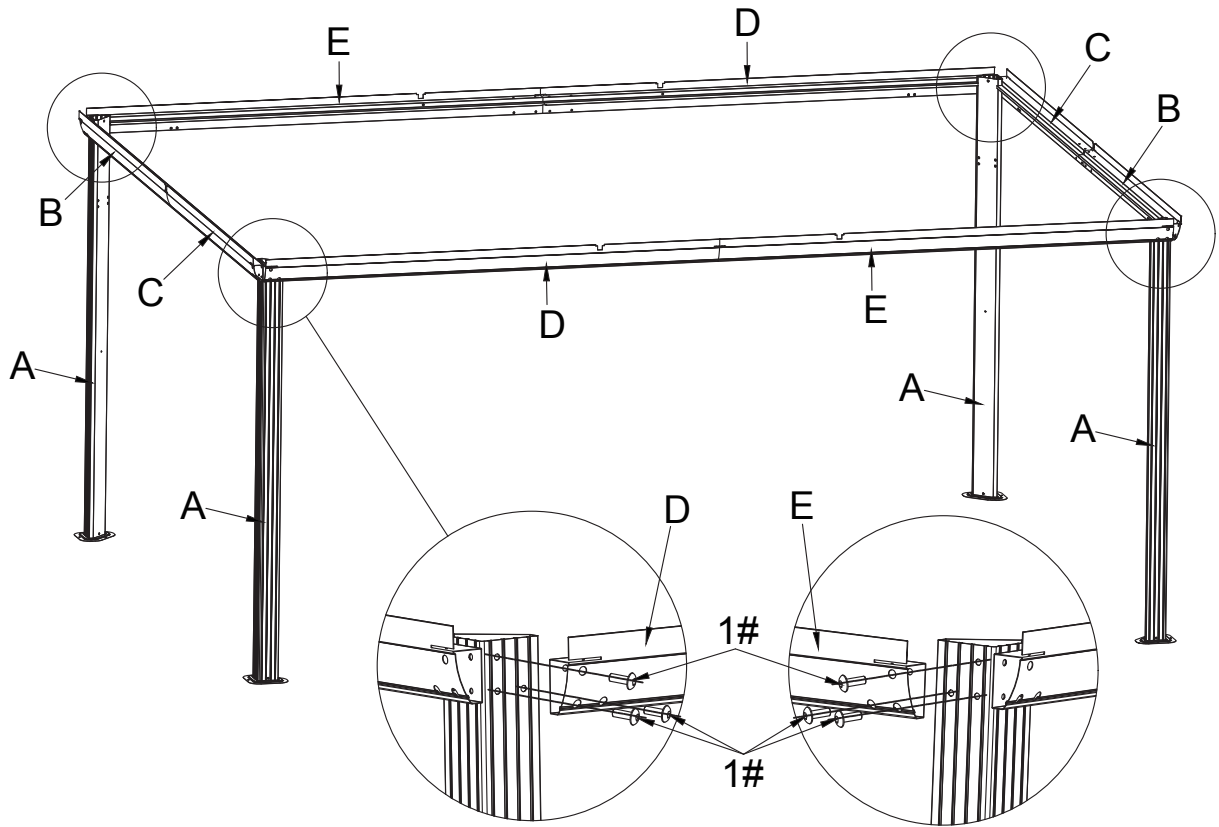




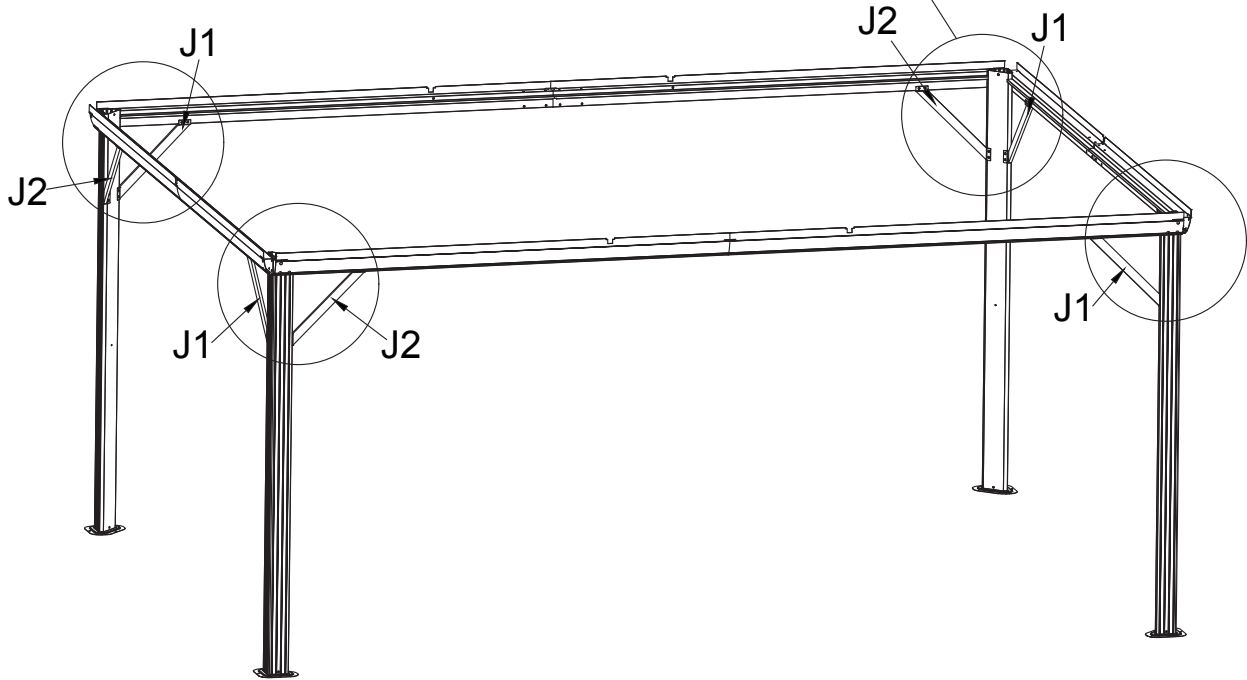
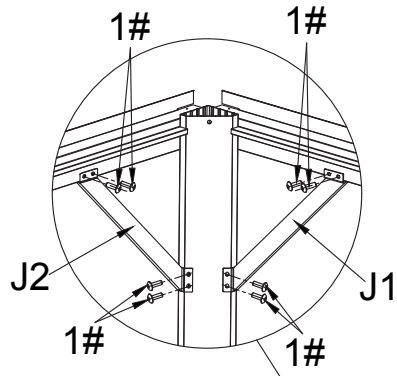
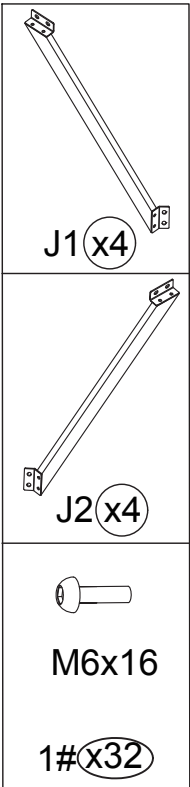
STEP 05

M6x16

1#(x12)



STEP 06



STEP 07



G x4

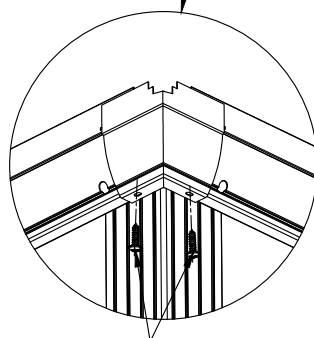
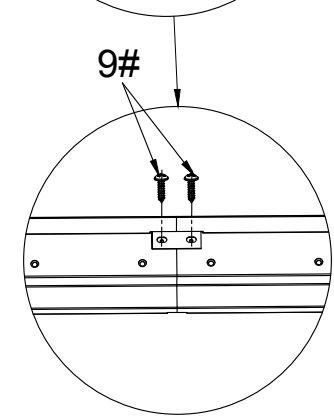
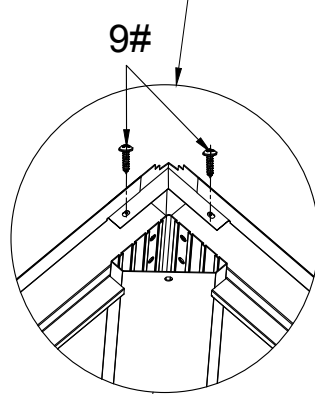
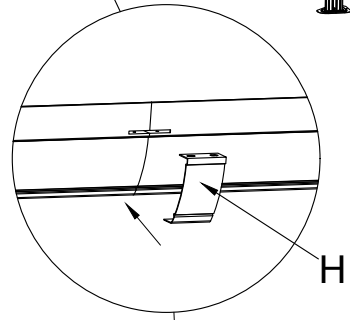
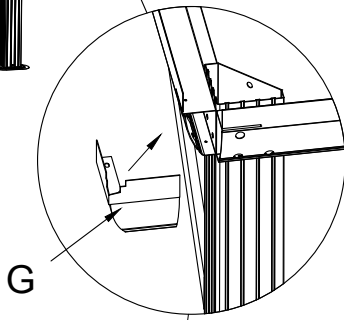
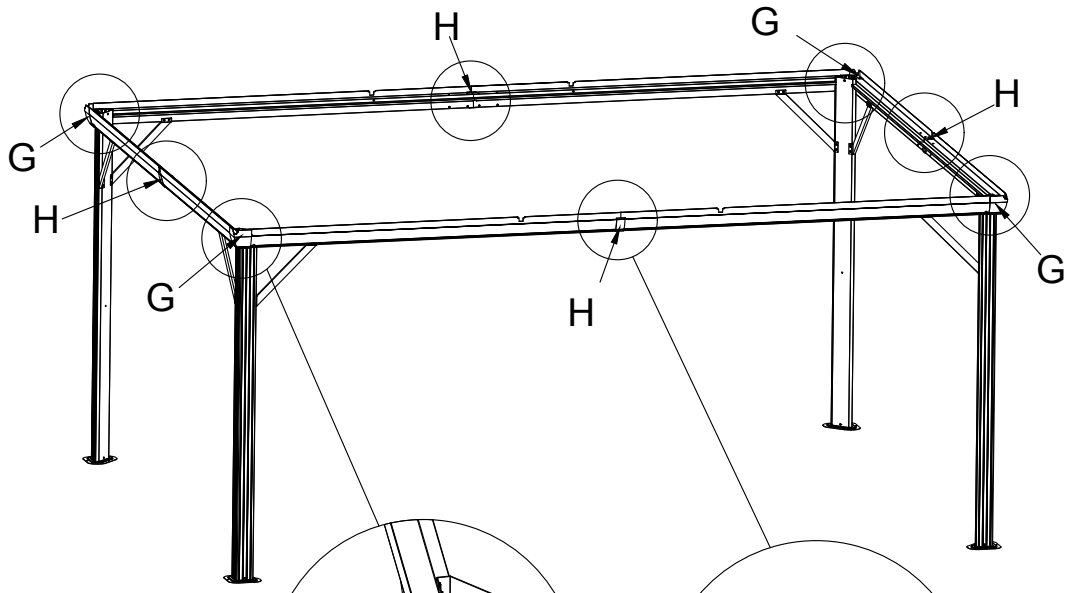


H x4



ST4.8x13

9# x24



9#

STEP 08



H1 x4

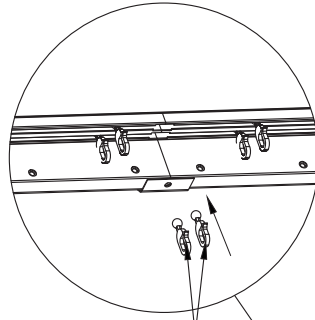


4# x128

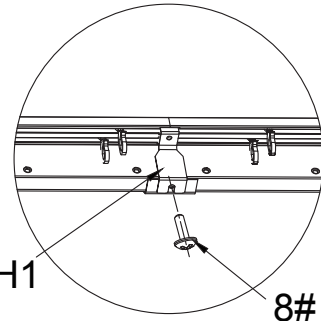


M5x12

8# x4

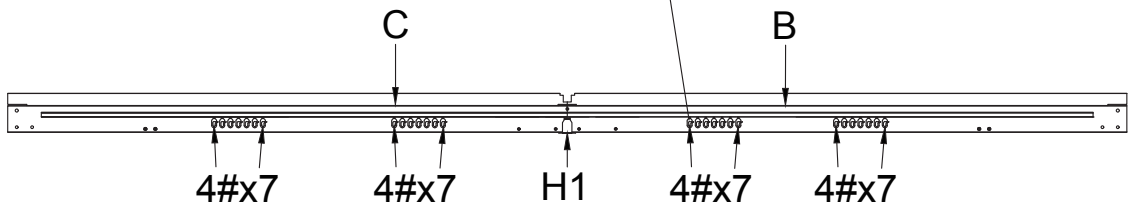
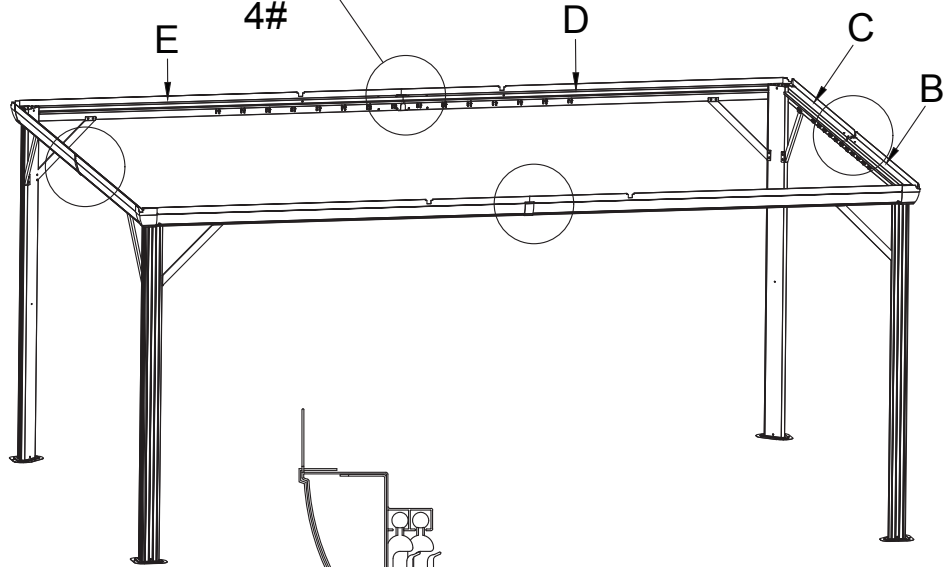


4#



H1

8#



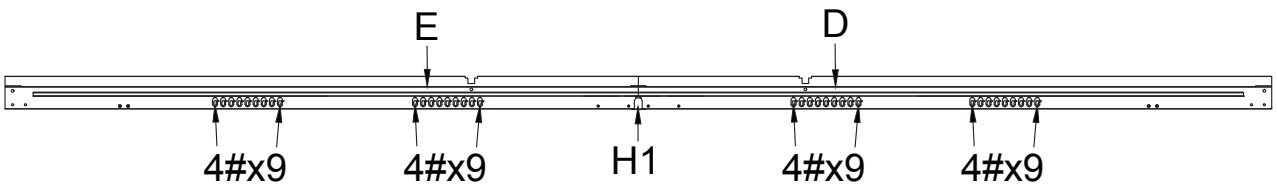
4#x7

4#x7

H1

4#x7

4#x7



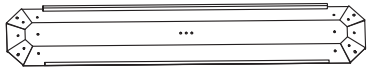
4#x9

4#x9

H1

4#x9

4#x9

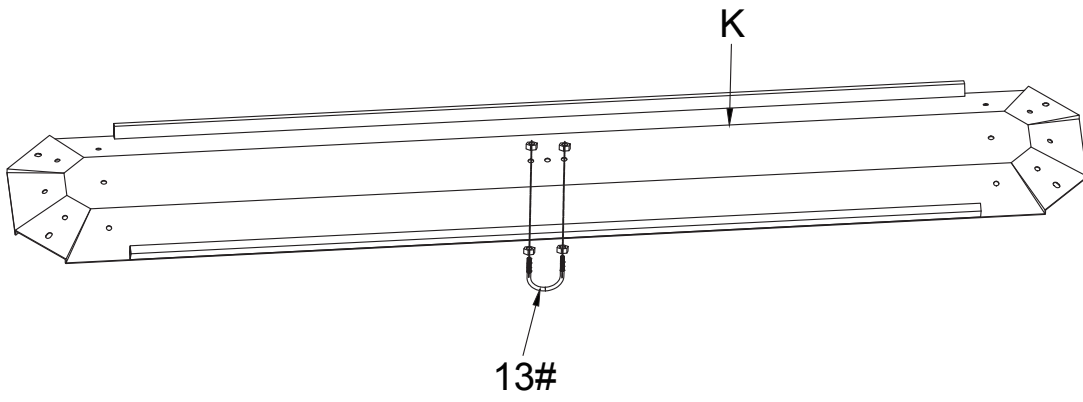


K x1



13# x1

STEP 09





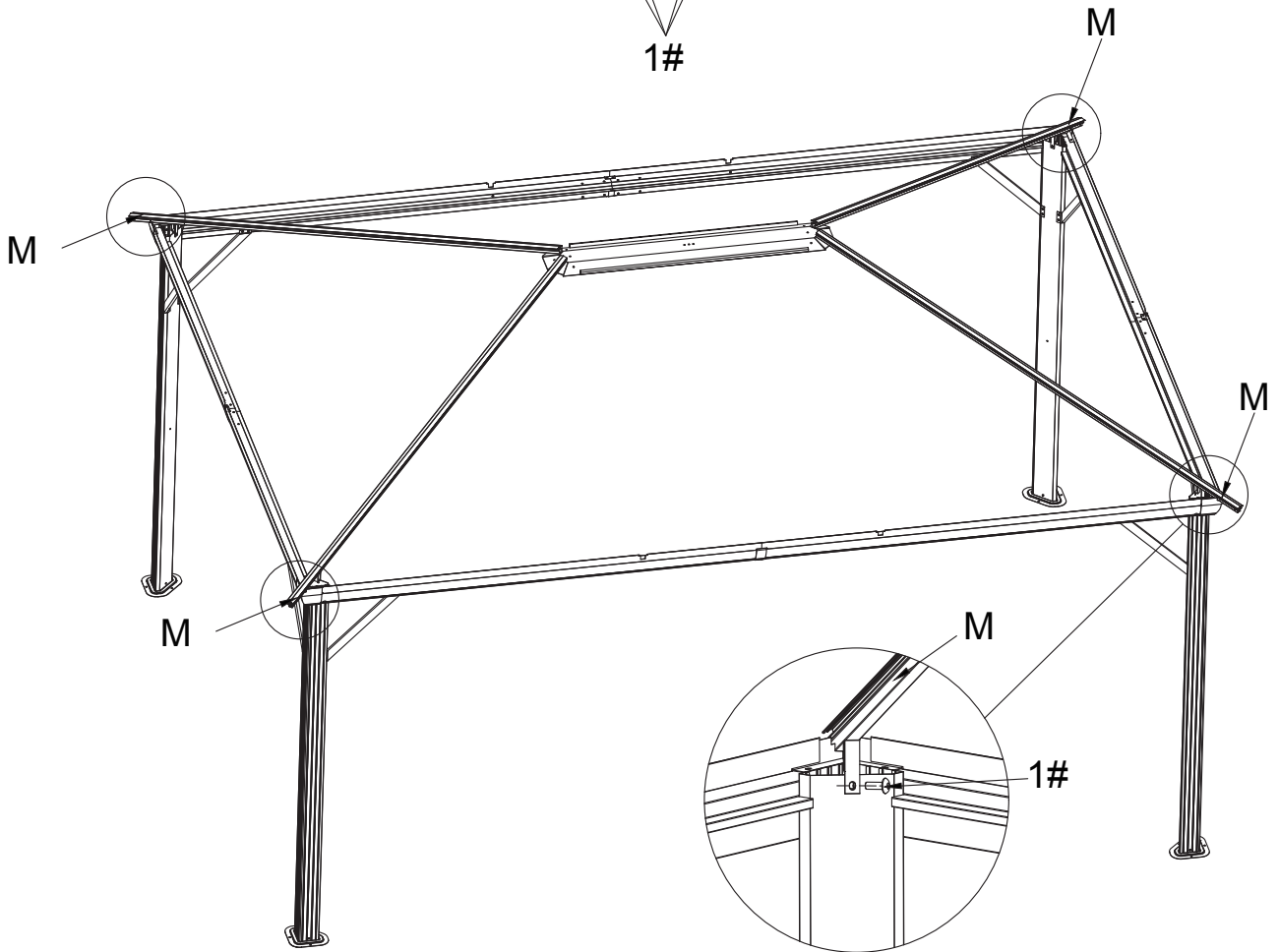
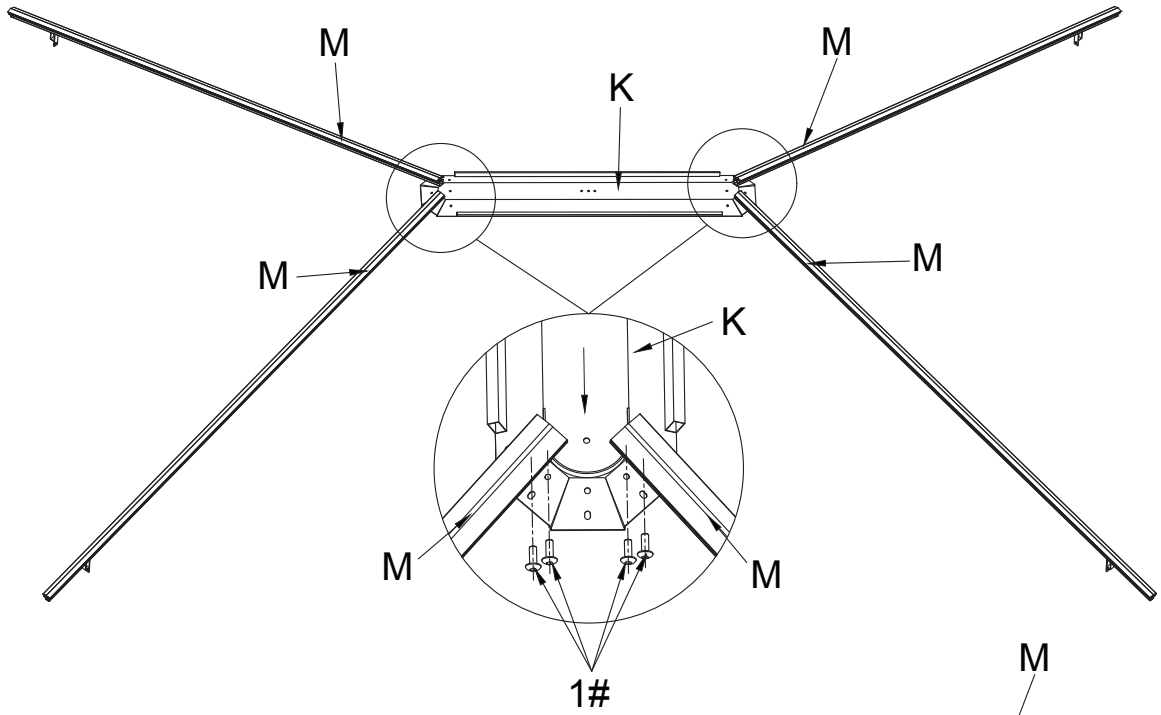
M x4



M6x16

1# x12

STEP 10



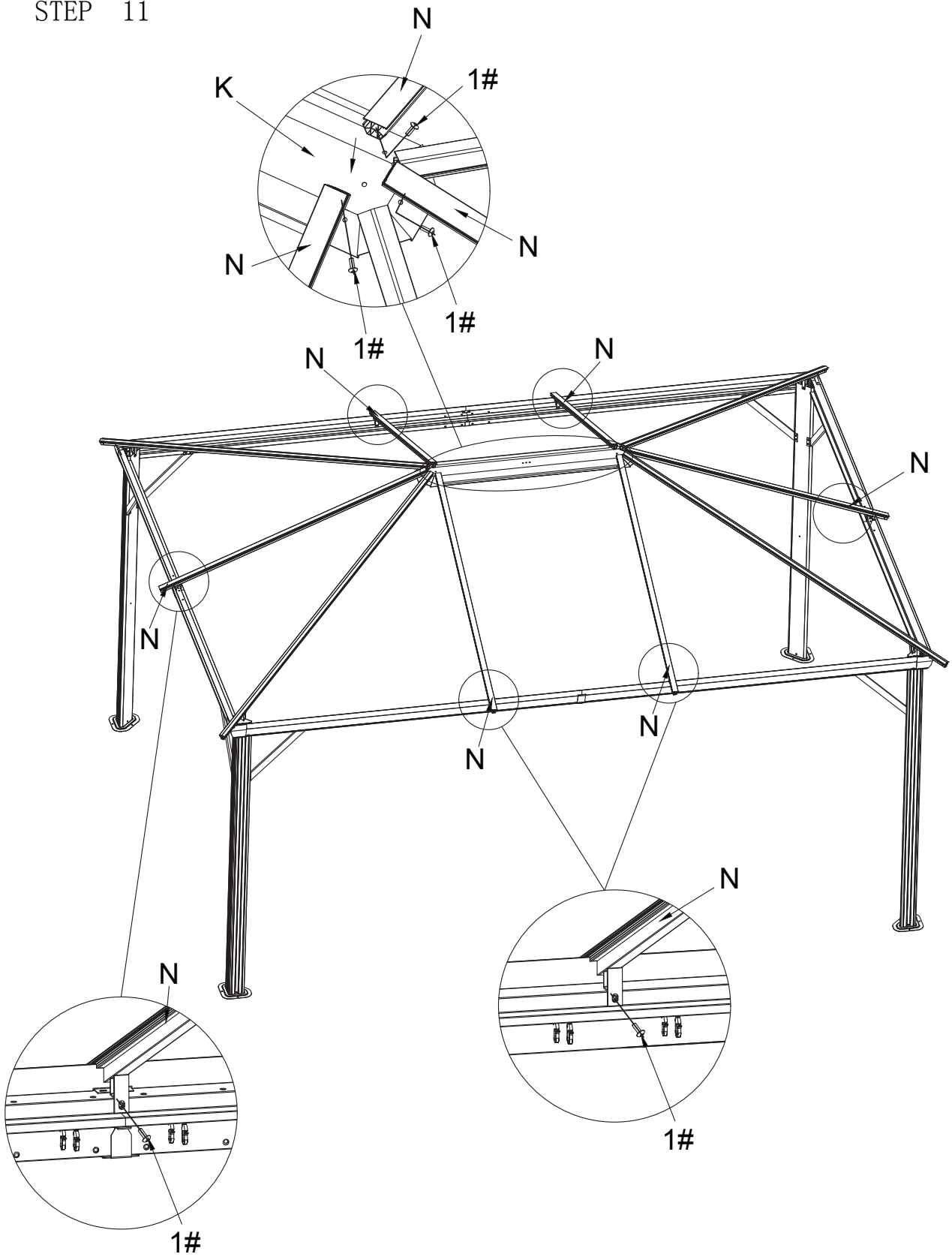
 N (x6)



M6x16

1#(x12)

STEP 11





K1 (x1)



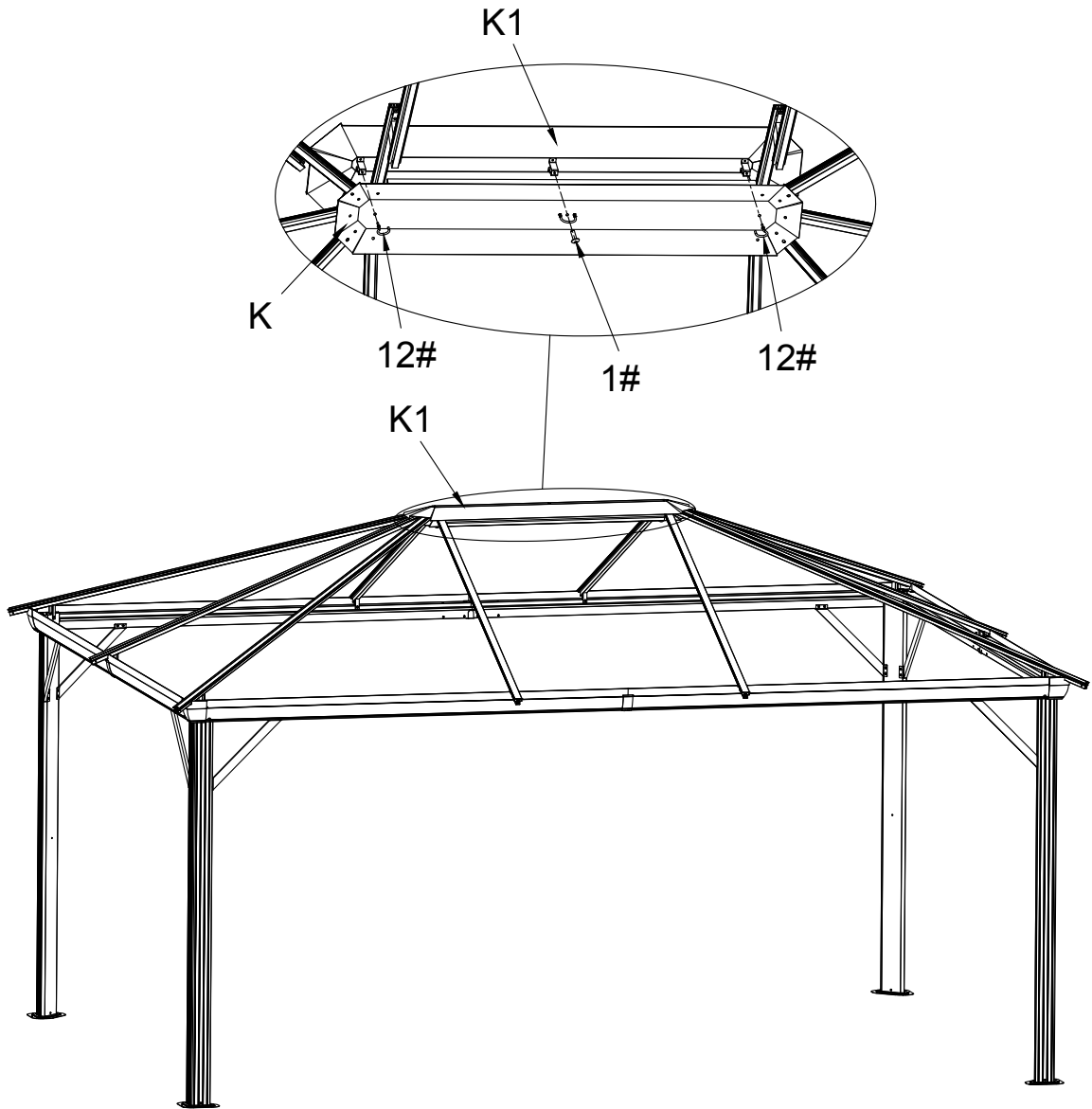
12# (x2)


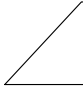
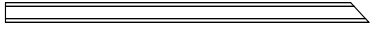
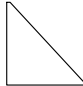
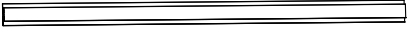
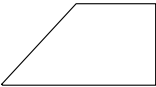




M6x16

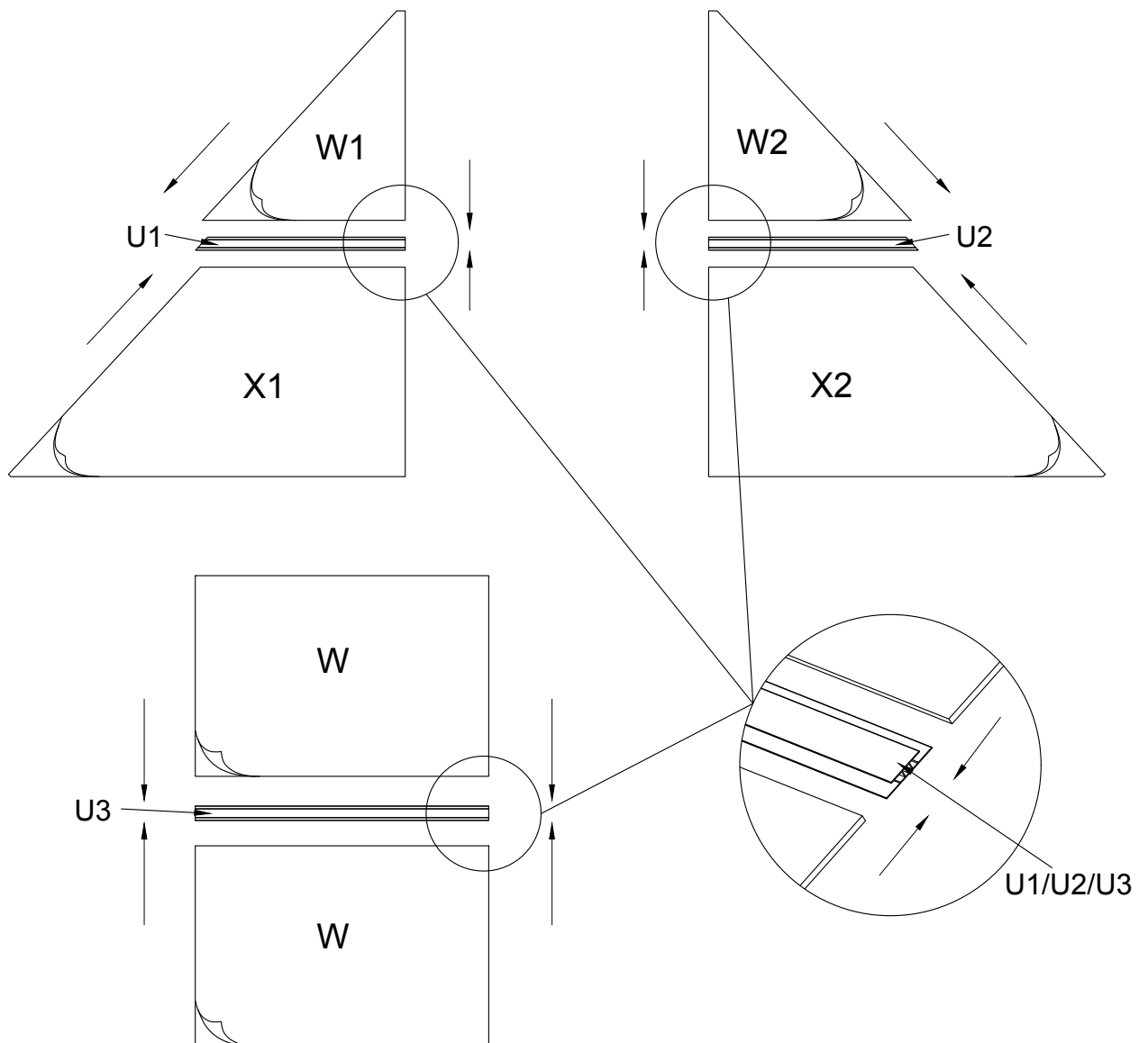
1# (x1)

STEP 12

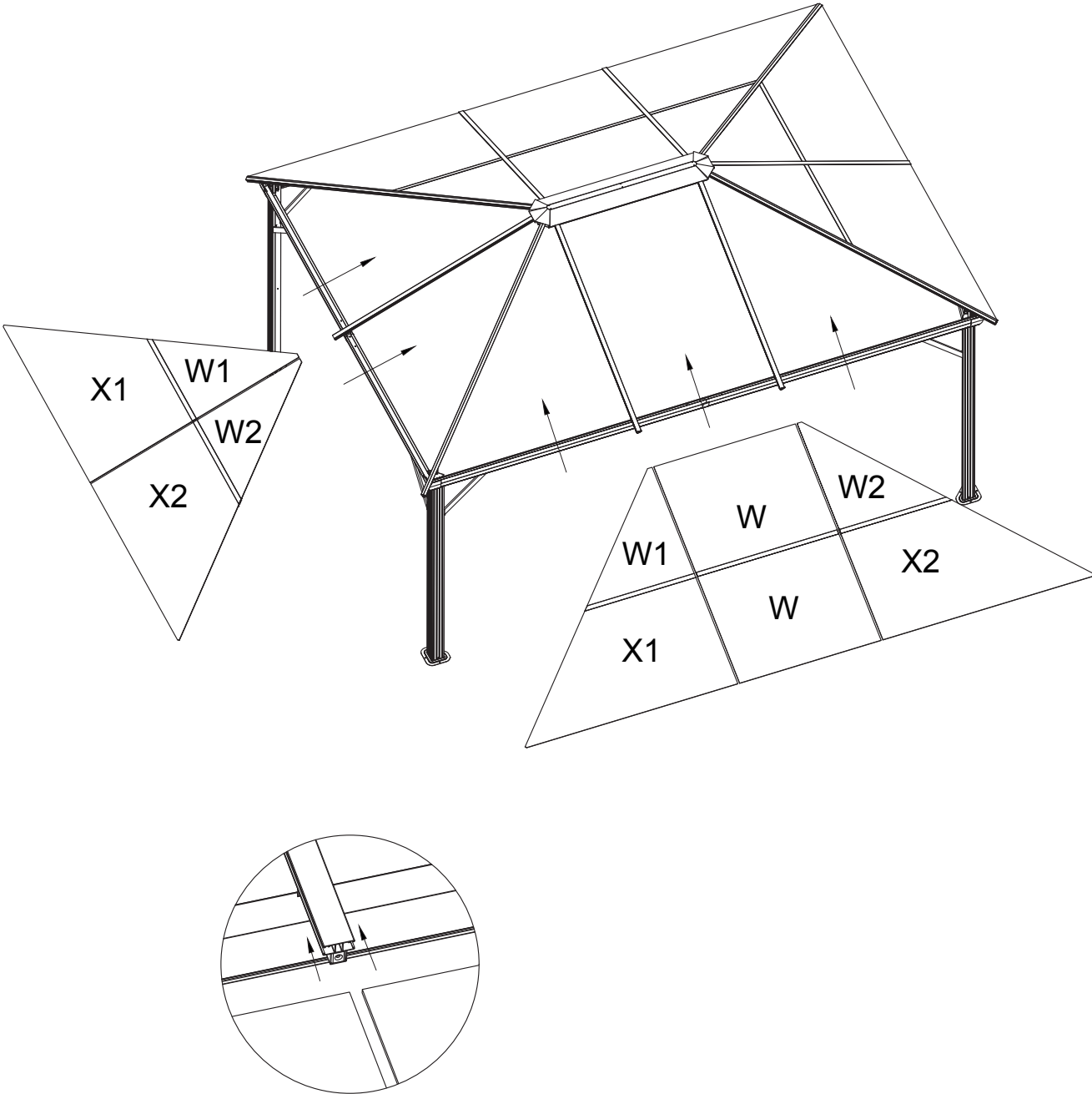








	U1 (x4)		W1 (x4)
	U2 (x4)		W2 (x4)
	U3 (x2)		X1 (x4)
	W (x4)		X2 (x4)

STEP 13

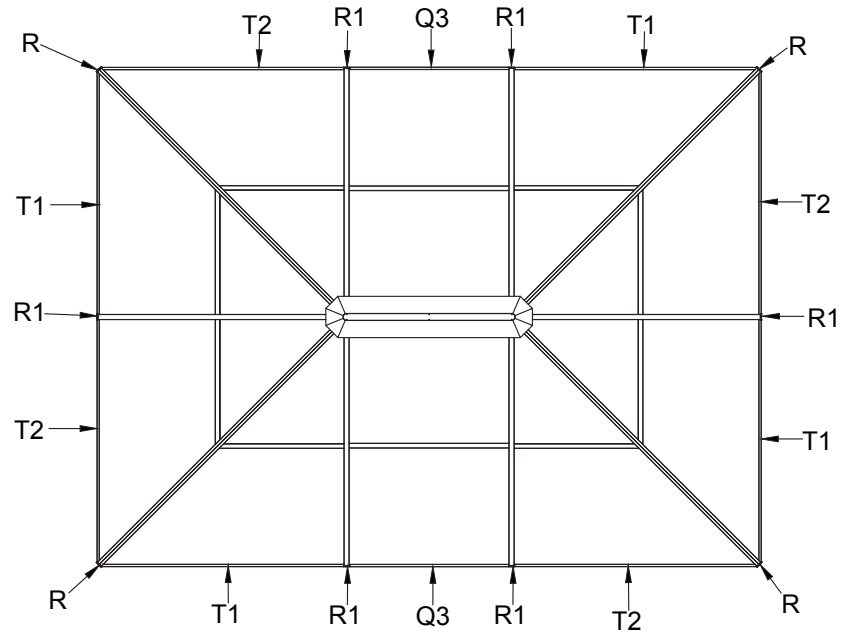
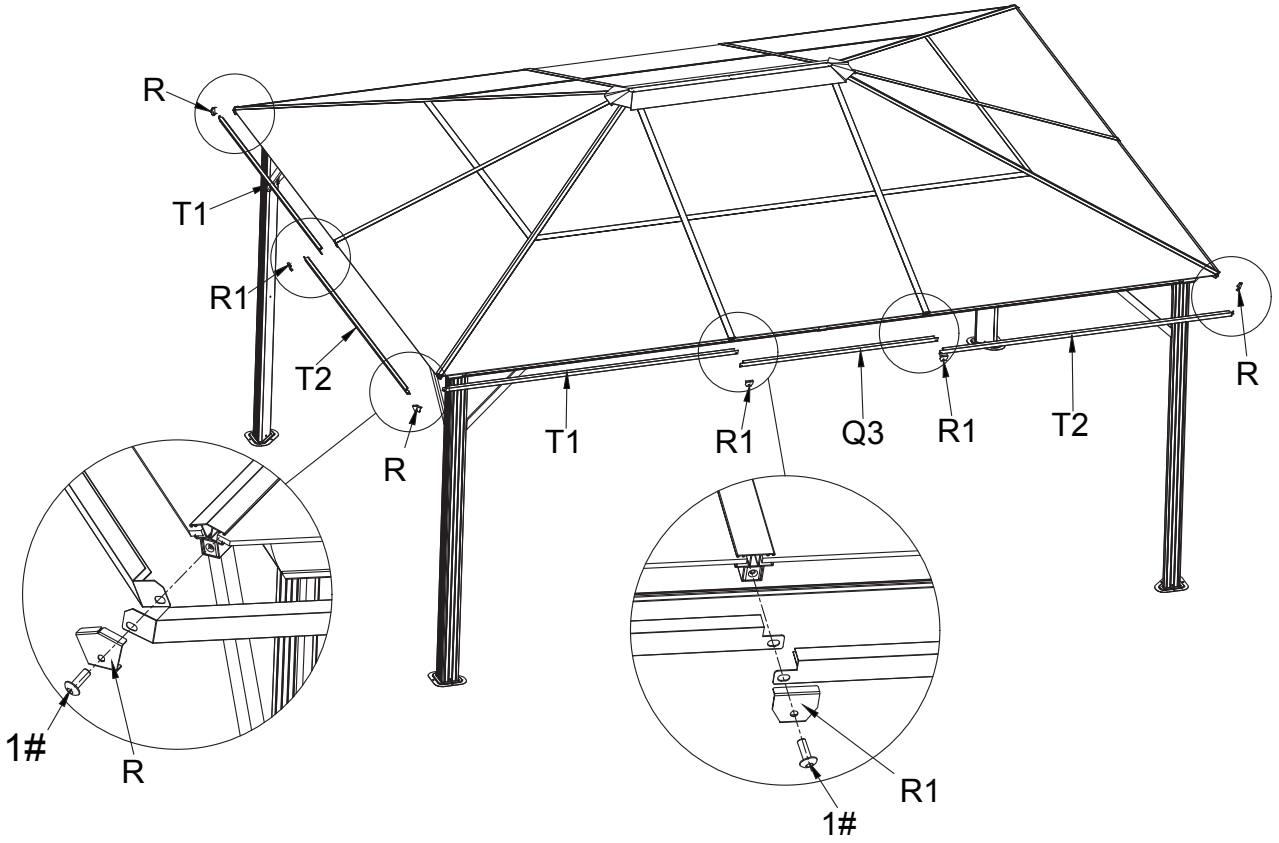


STEP 14

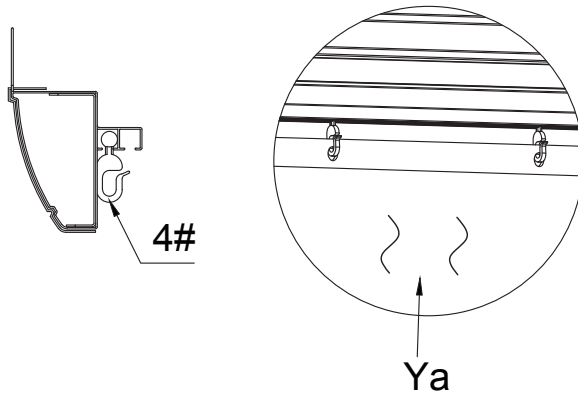
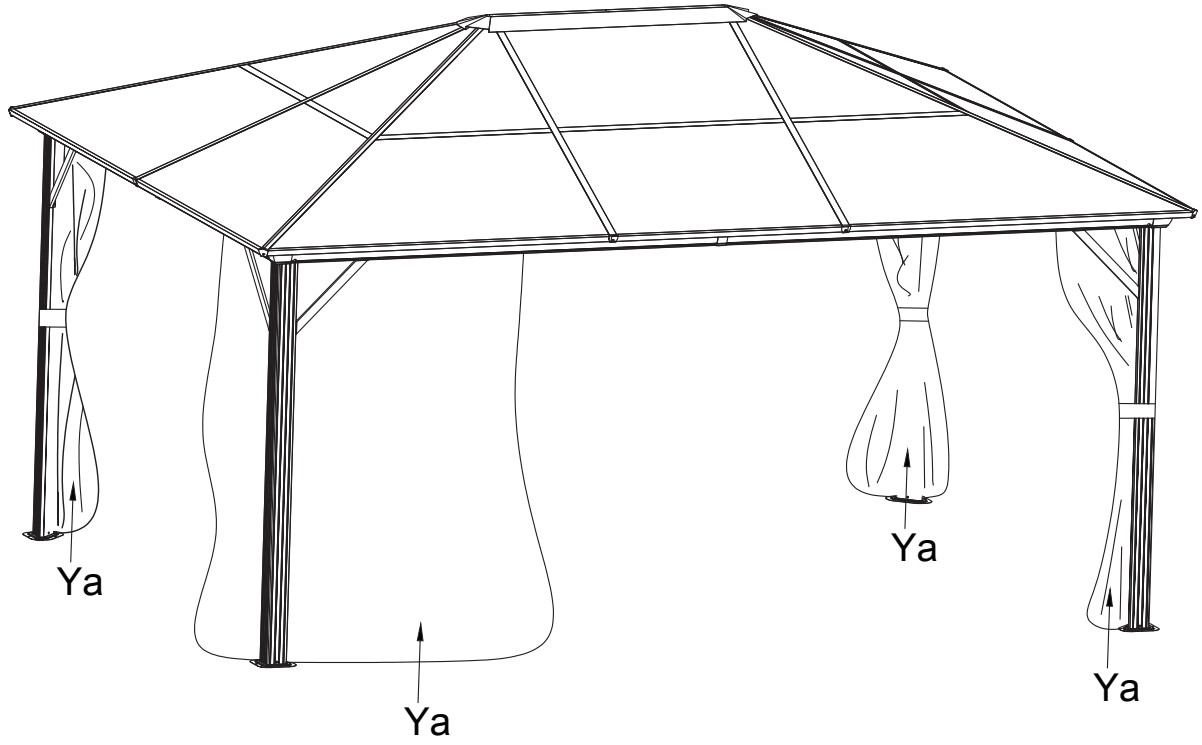
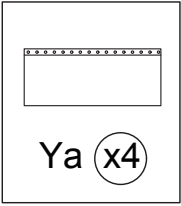


	Q3 (x2)		R (x4)
	T1 (x4)		R1 (x6)
	T2 (x4)		M6x16 1# (x10)

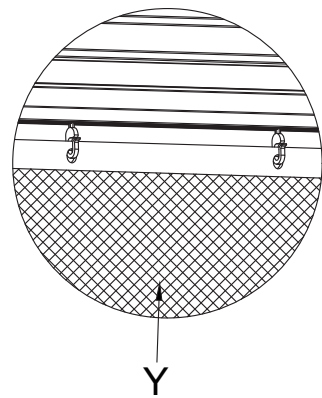
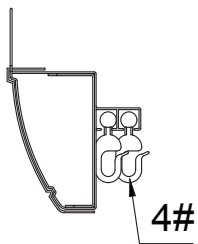
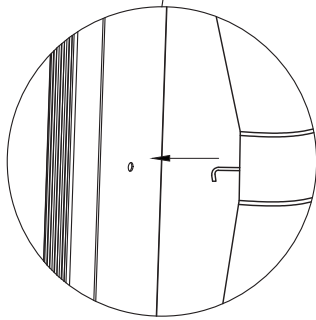
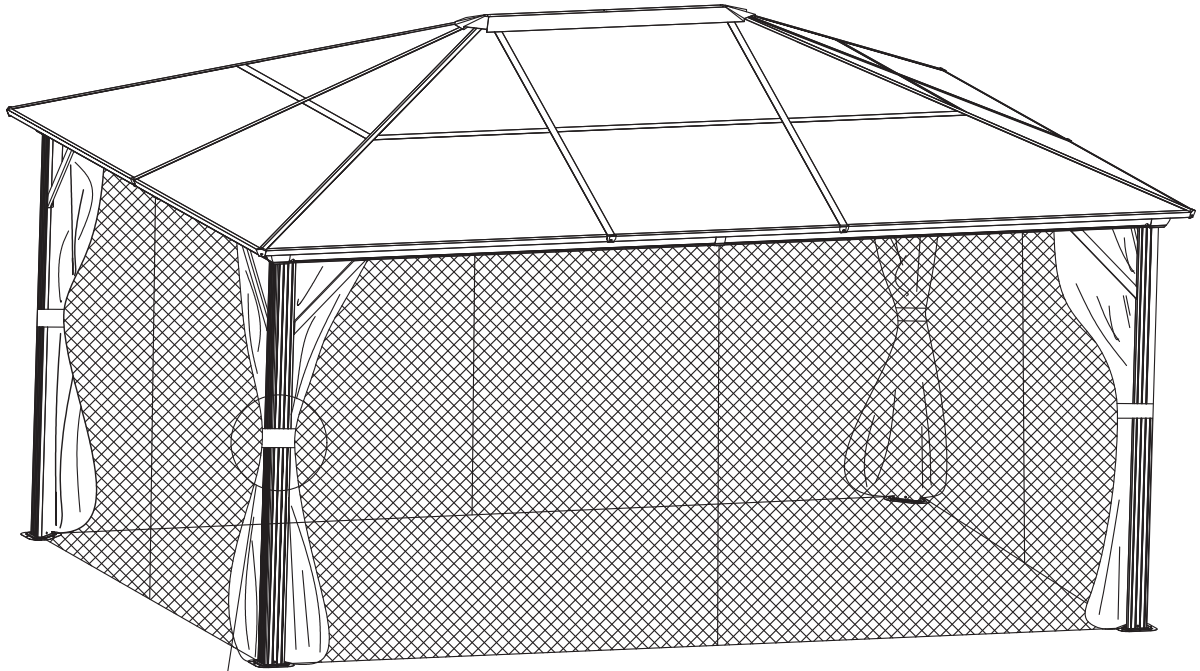
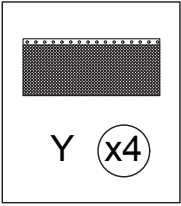
STEP 15

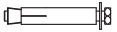


STEP 16



STEP 17




M6x50
14#(x12)

STEP 18

