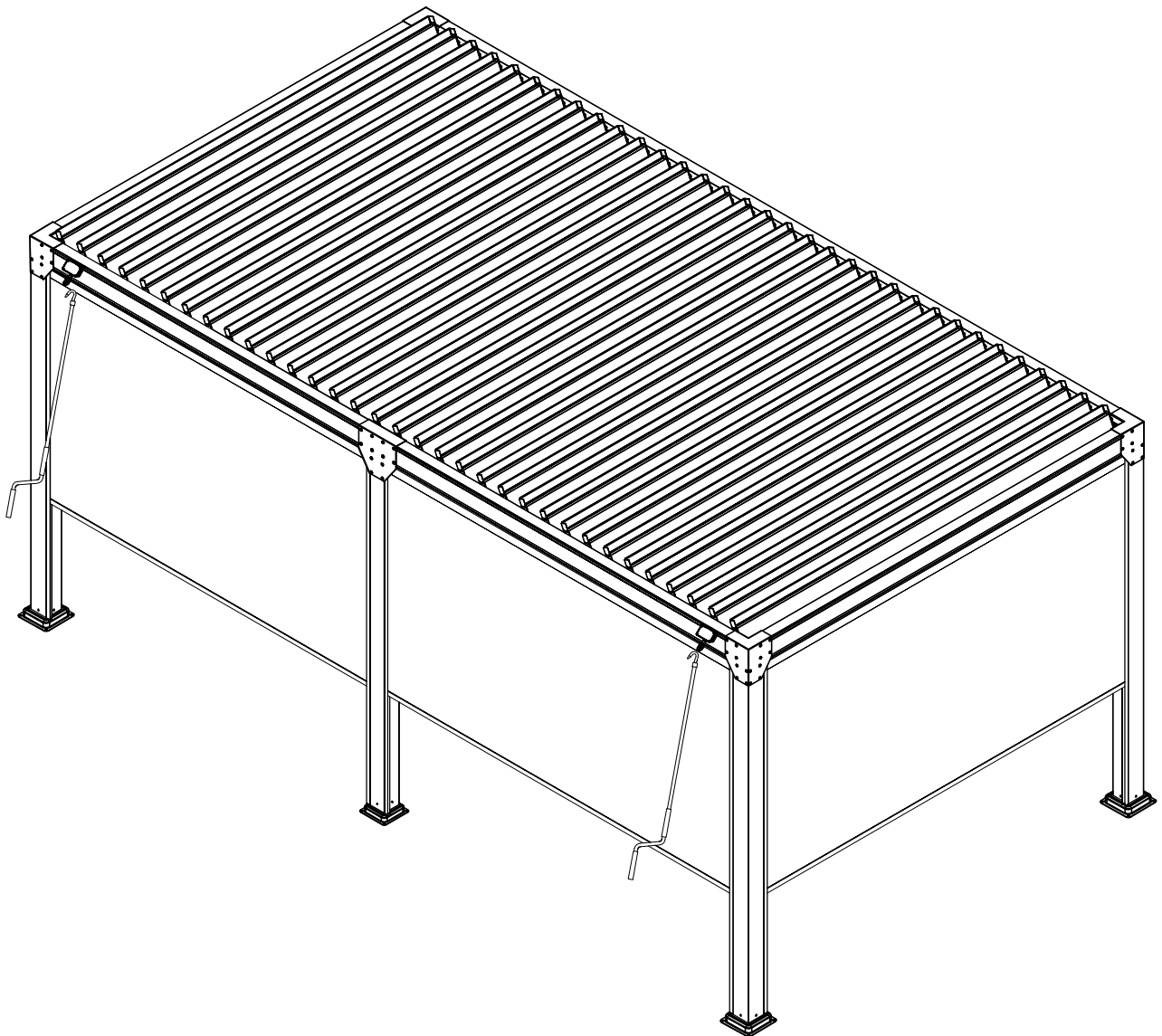
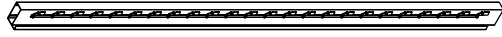


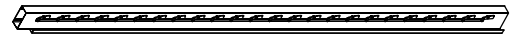
12 x 20 FT

▯ ▯ ▯ ▯ ▯ ▯ ▯ ▯ ▯ ▯ XWG-275 ▯ ▯ ▯ ▯ ▯ ▯ ▯ ▯ ▯ ▯

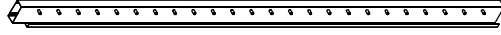




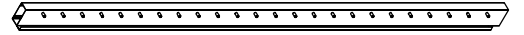
A1 1x



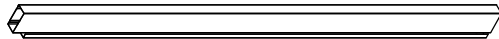
A2 1x



A3 1x



A4 1x



A5 2x



A6 1x



B1 4x



B2 2x



C 28x



D1 4x



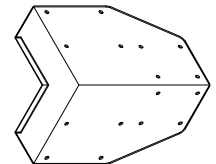
D2 2x



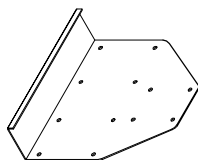
E1 10x



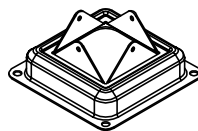
E2 2x



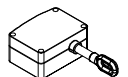
F1 4x



F2 2x



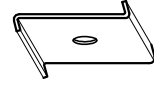
G 6x



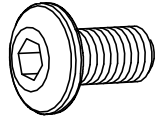
H 2x



J 2x

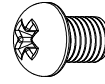


K 18x + 2x



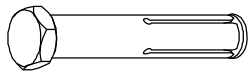
M6x15

1 120x + 2x



M5*8

2 72x + 2x



3 24x

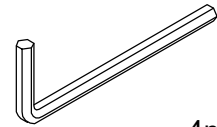


ST3. 5*8

4 18x + 2x



5 6x



4mm

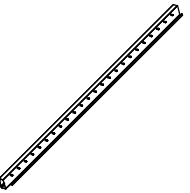
6 1x



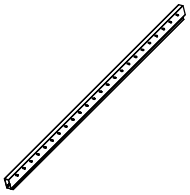
A1 1x



A2 1x



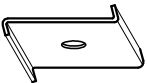
A3 1x



A4 1x



D1 4x



K 12x

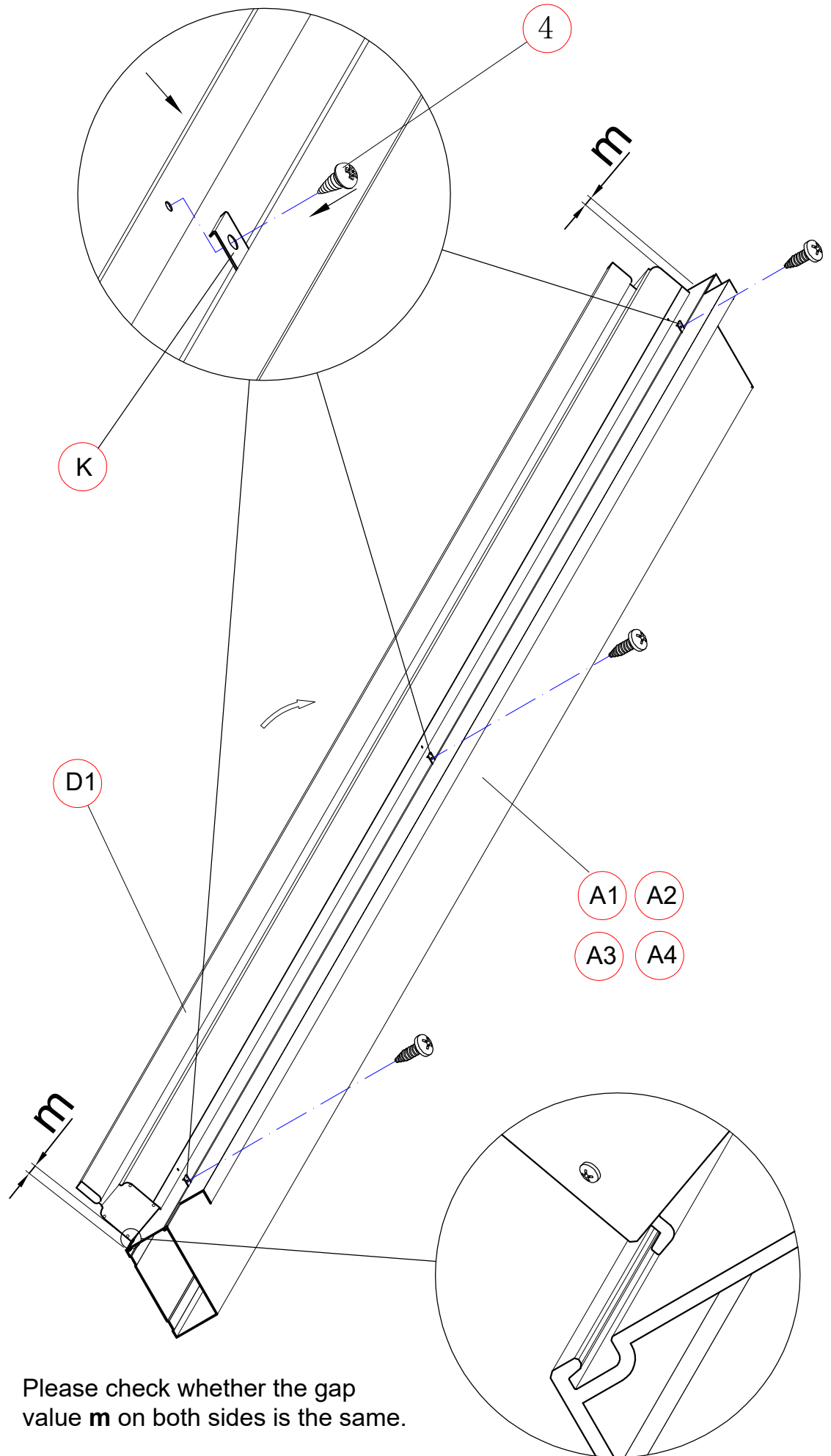


ST3.5*8

4 12x

4

<1>



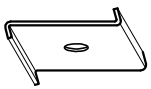
Please check whether the gap value **m** on both sides is the same.



(A5) 2x



(D2) 2x



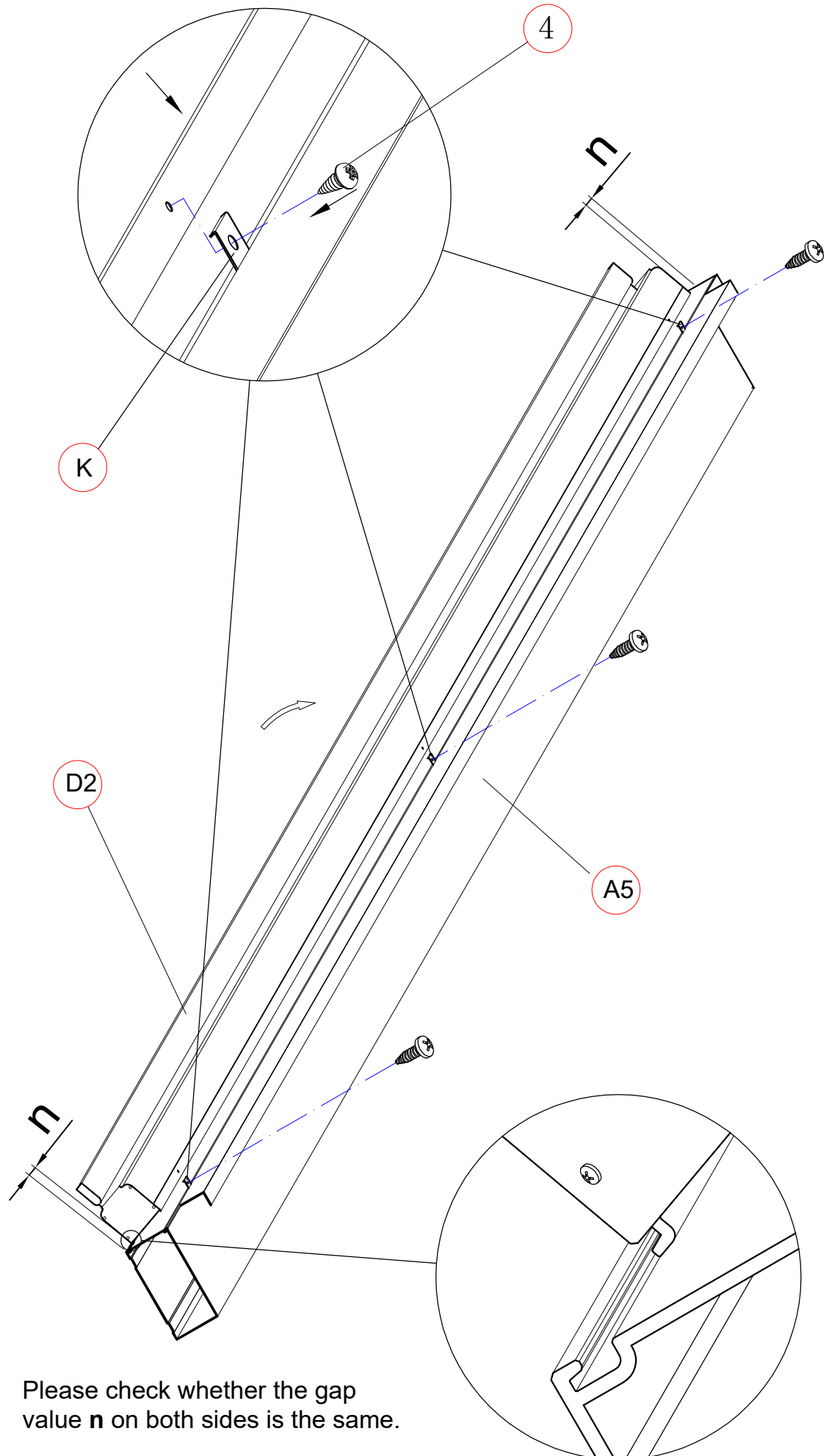
(K) 6x



ST3.5*8

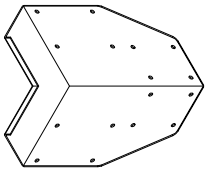
(4) 6x

<2>

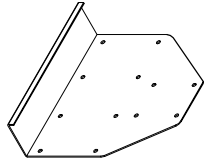


5

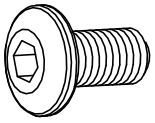
Please check whether the gap value n on both sides is the same.



F1 4x



F2 2x



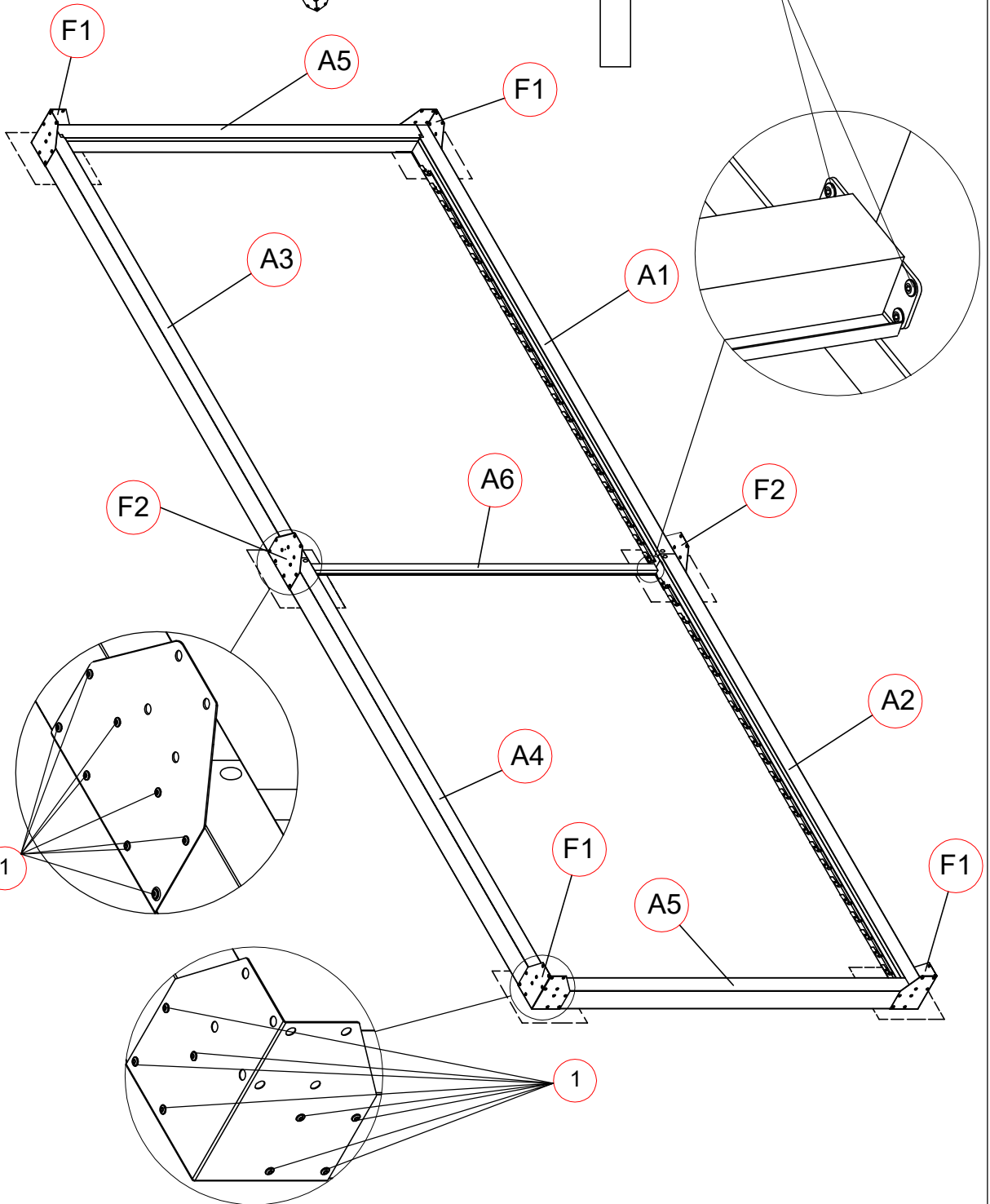
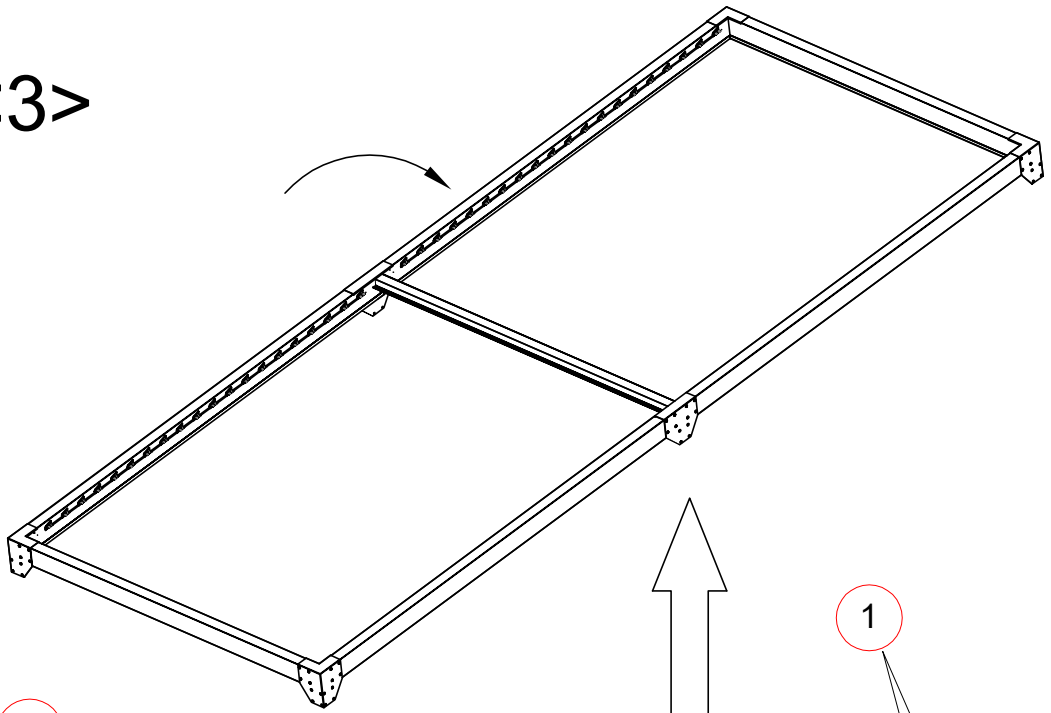
M6x15

1 56x

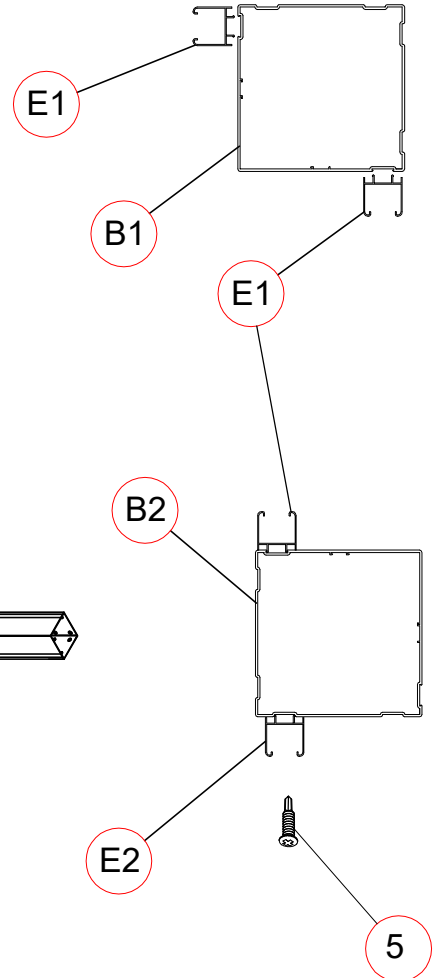
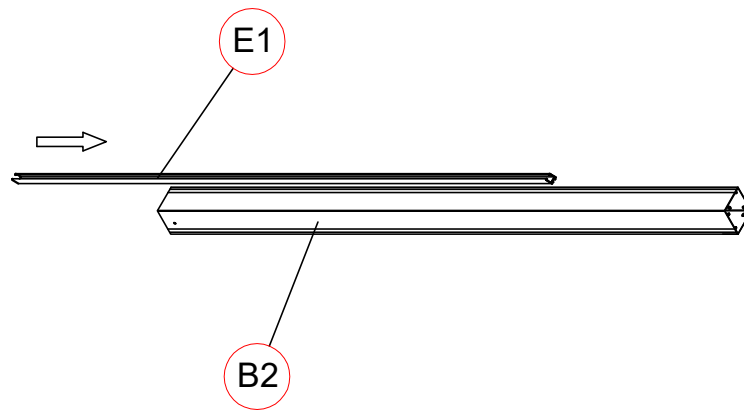
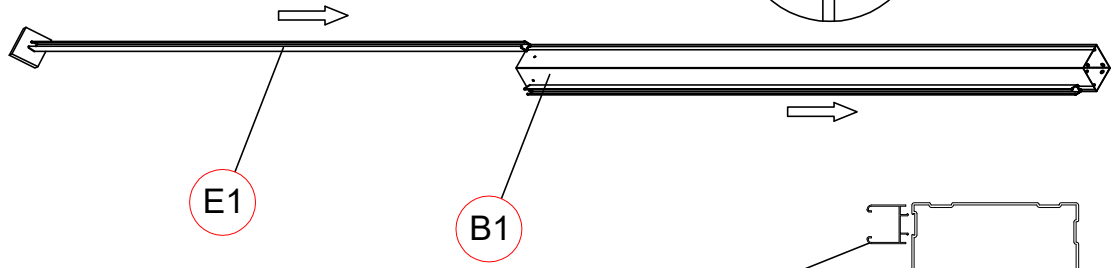
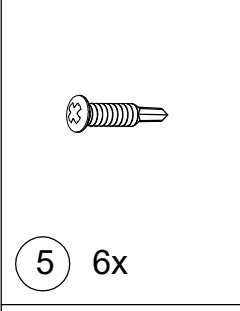
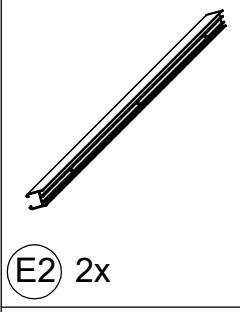
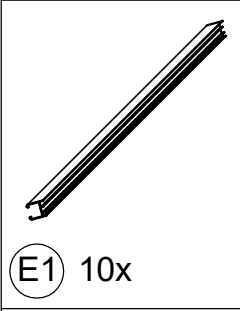
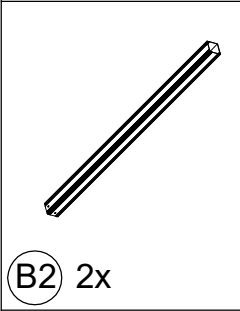
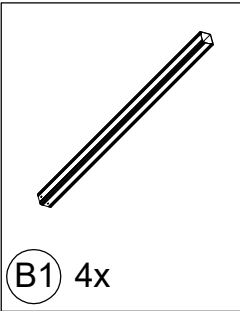


A6 1x

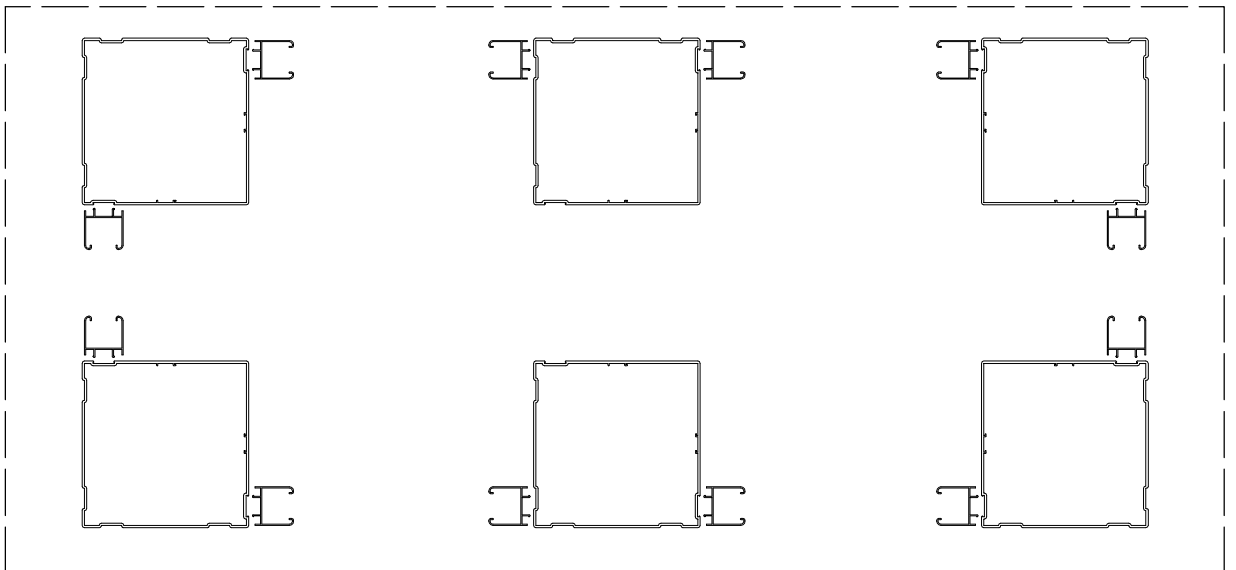
<3>



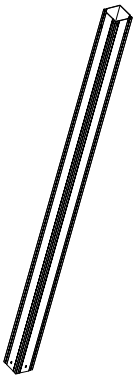
<4>



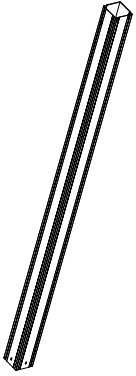
Please assemble part E1 to Part B2 on the side with a slot and assemble part E2 to Part B2 with 5# self-tapping screw on the other side.



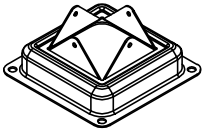
<5>



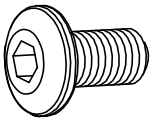
B1 4x



B2 2x



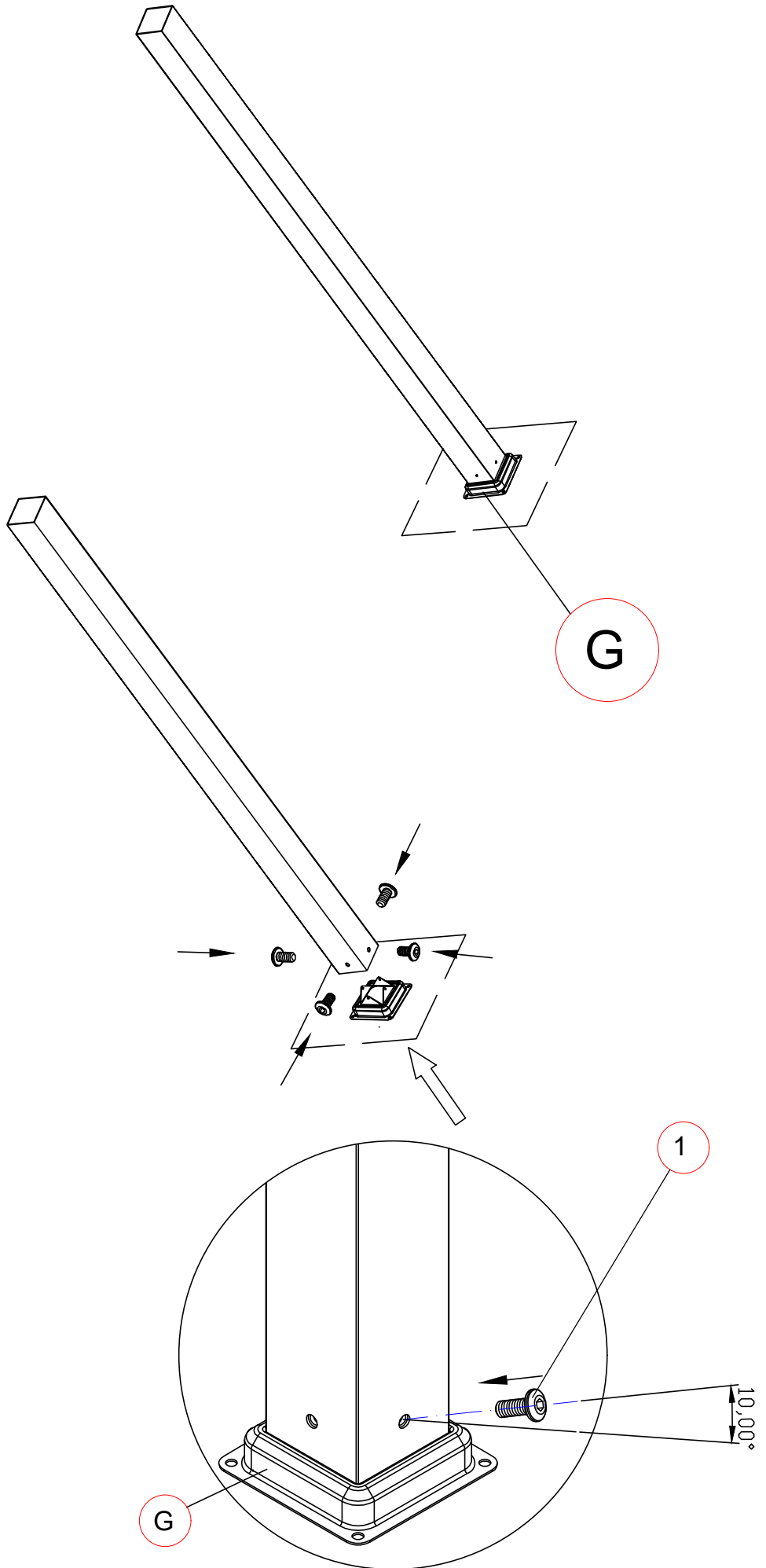
G 6x

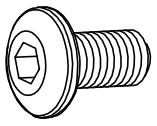


M6x15

1 24x

8



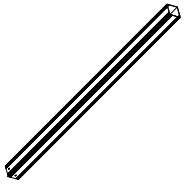


M6x15

1 20x

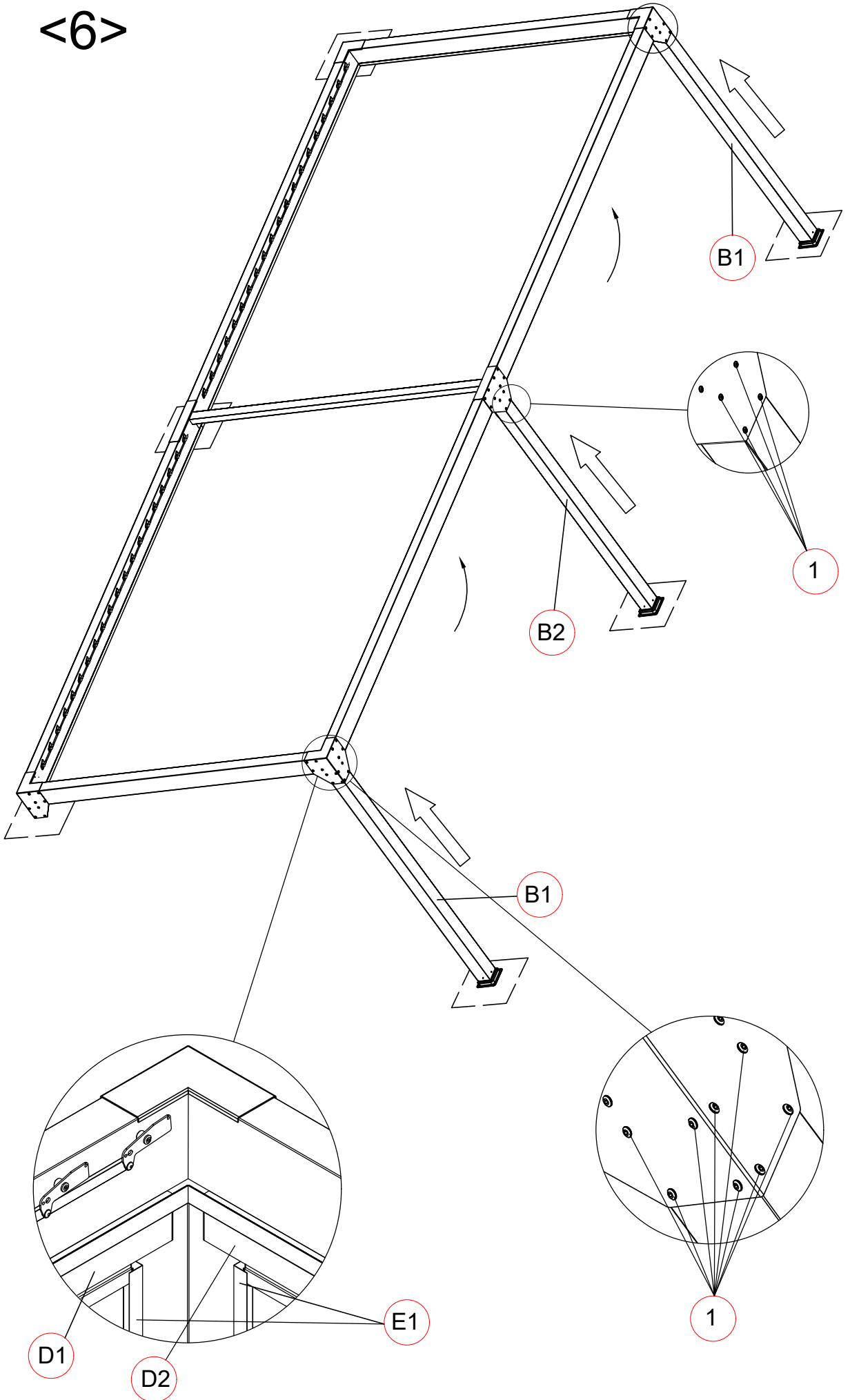


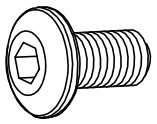
B1 2x



B2 1x

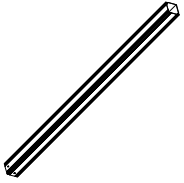
<6>



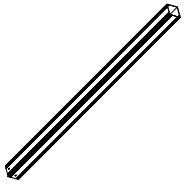


M6x15

1 20x

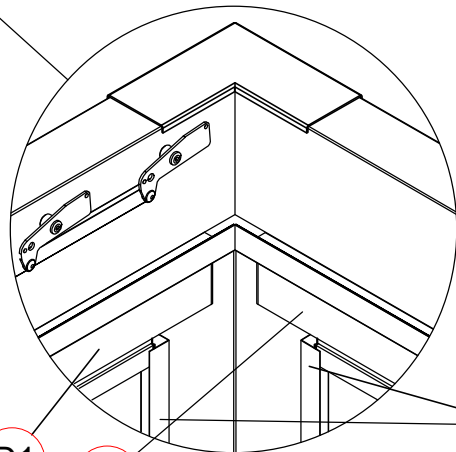
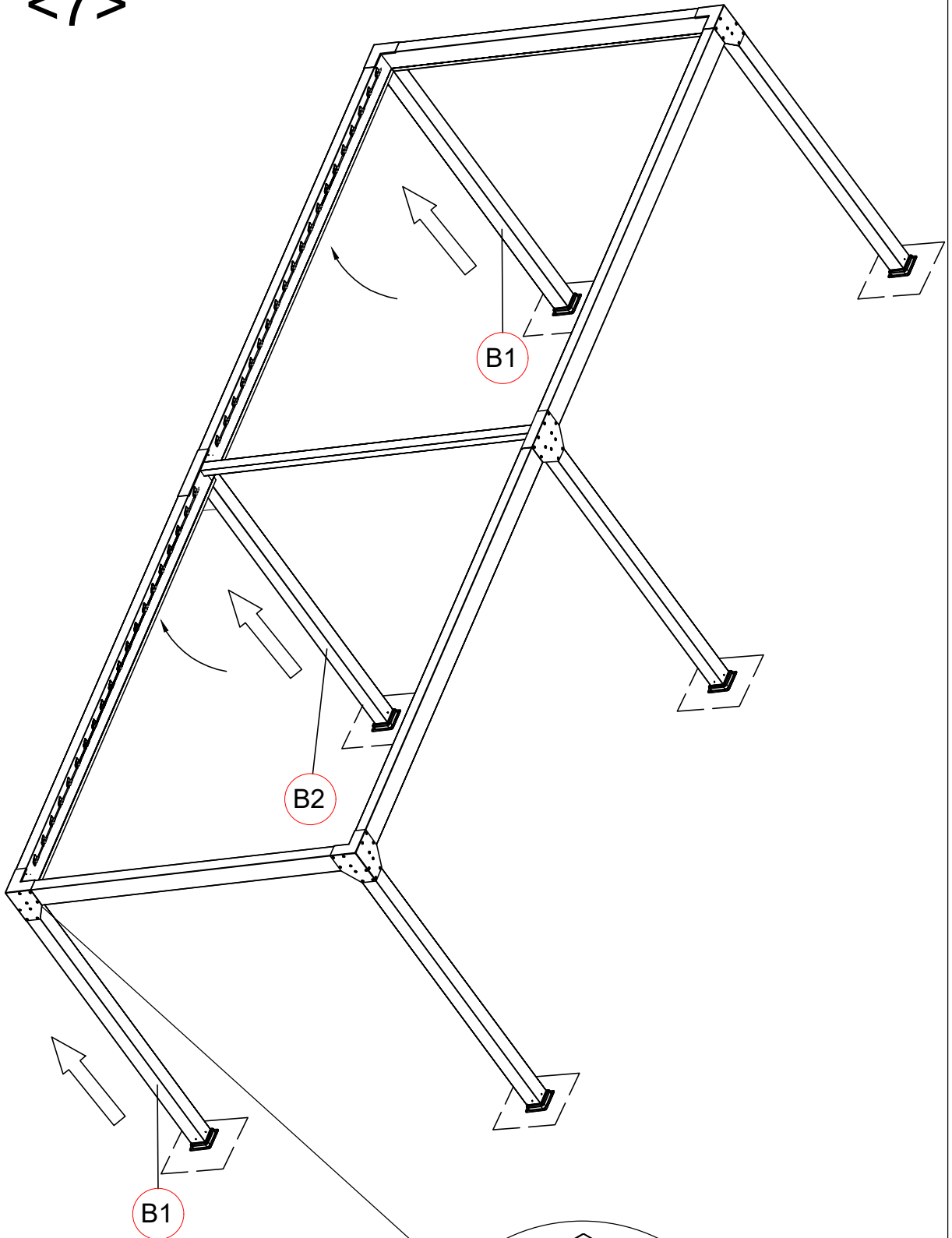


B1 2x



B2 1x

<7>

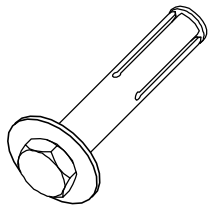


10

D1

D2

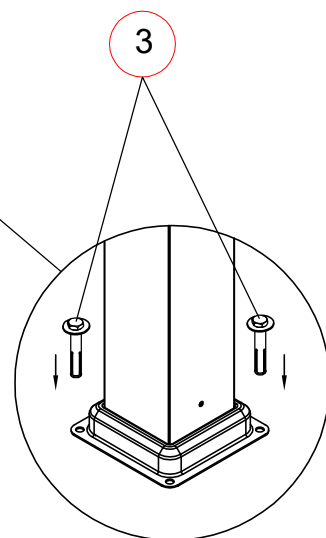
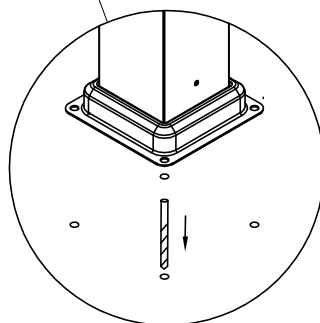
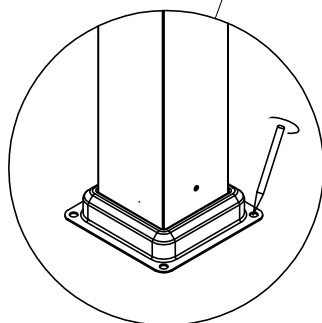
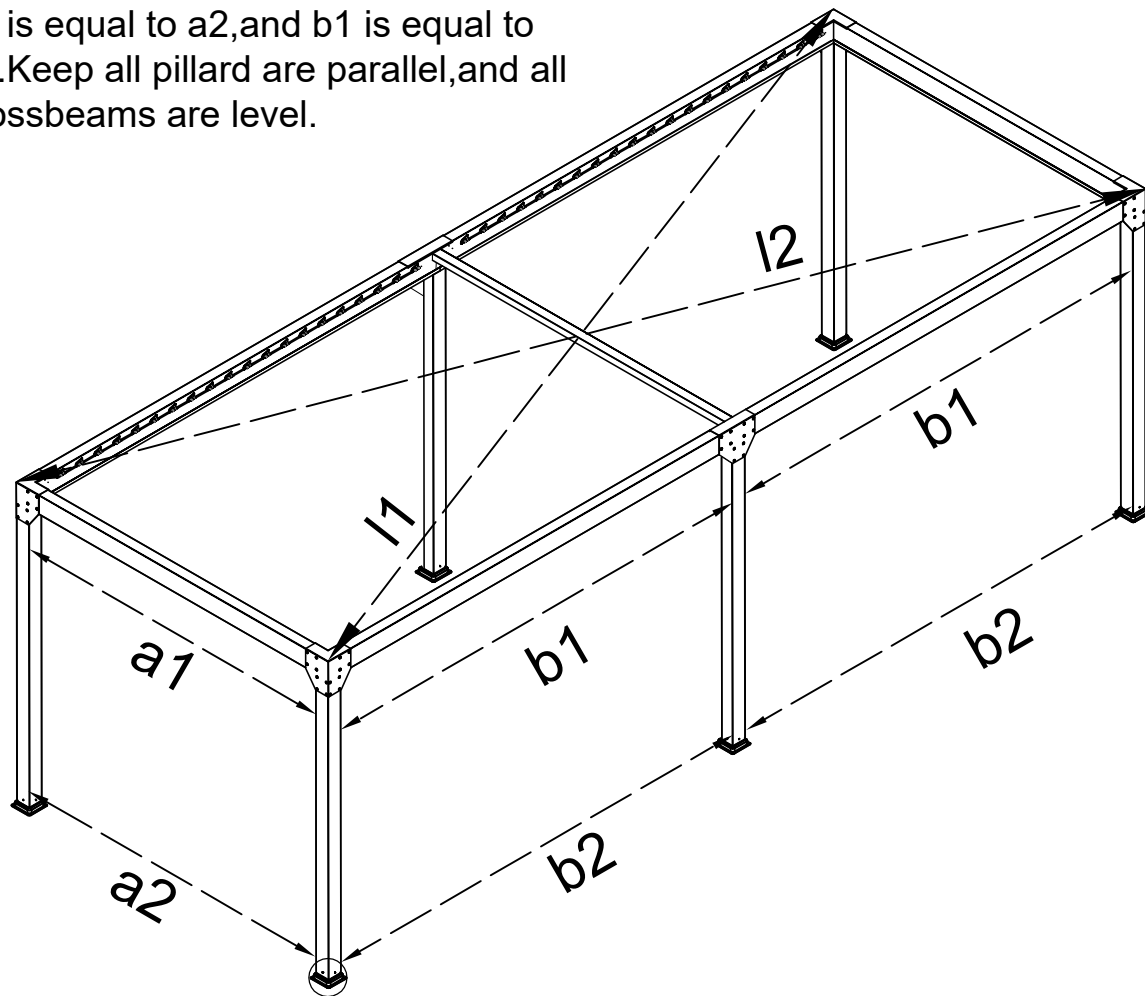
E1

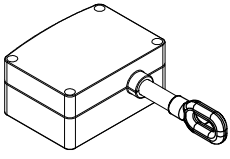


3 24x

<8>

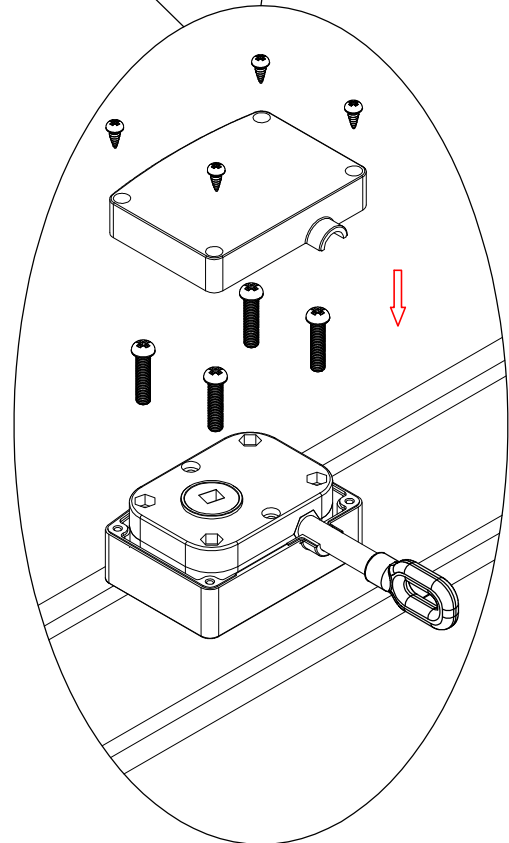
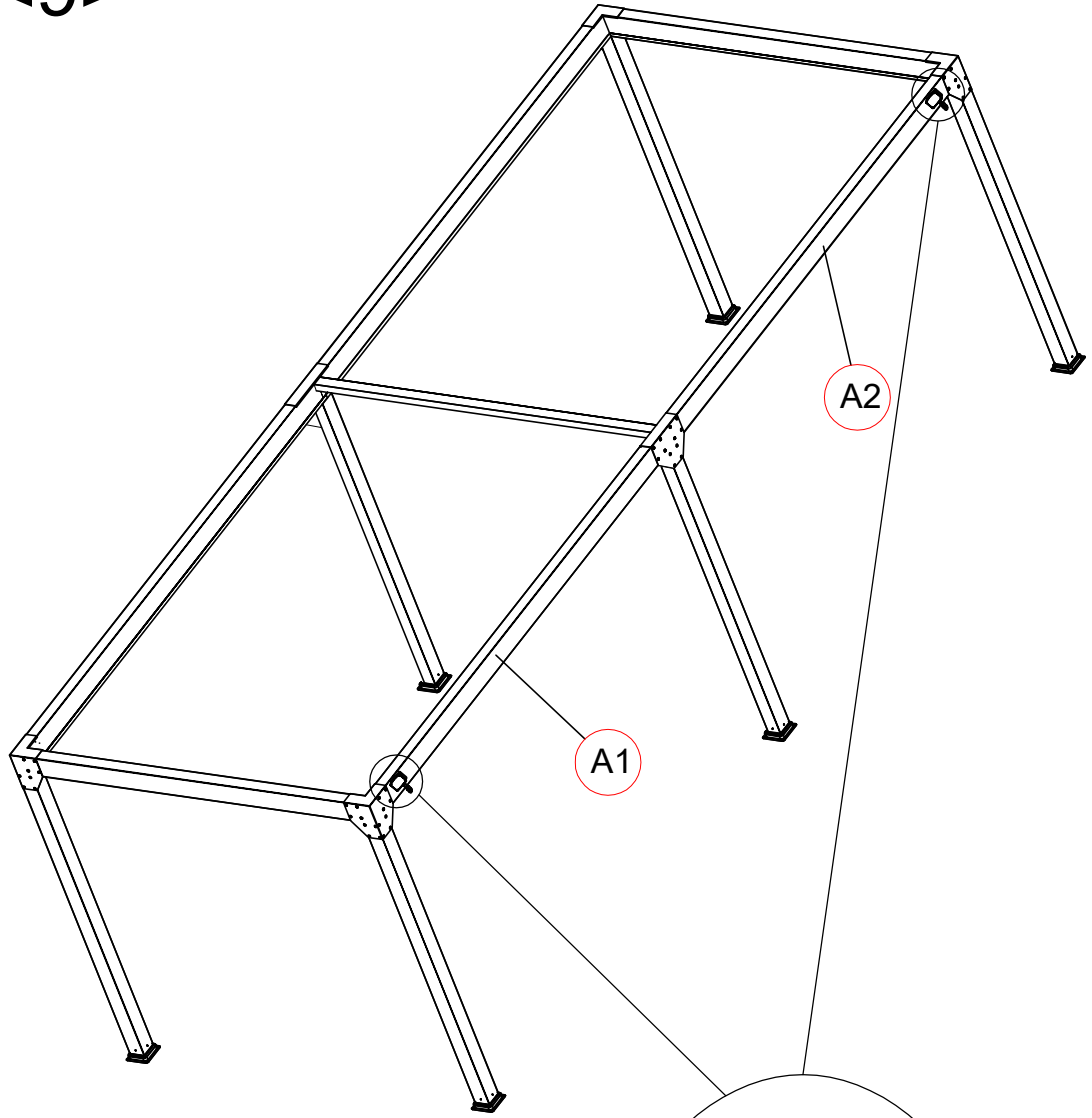
Measure the diagonal distance and horizontal distance between pillars before next step. Make sure l_1 is equal to l_2 , and a_1 is equal to a_2 , and b_1 is equal to b_2 . Keep all pillars parallel, and all crossbeams are level.



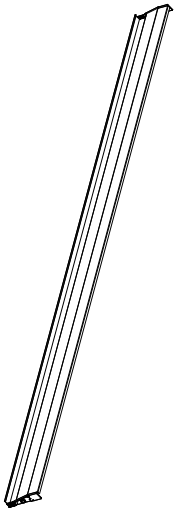


<9>

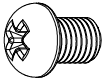
(H) 2x



<10>

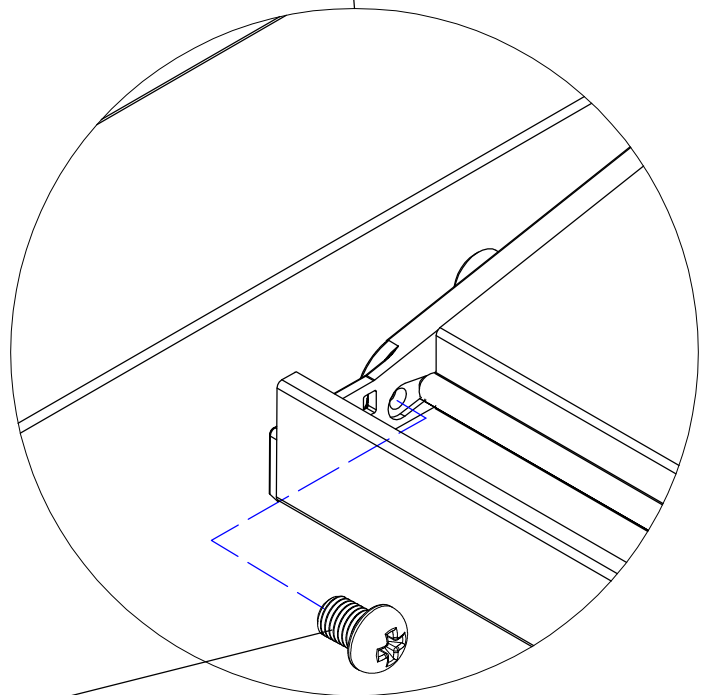
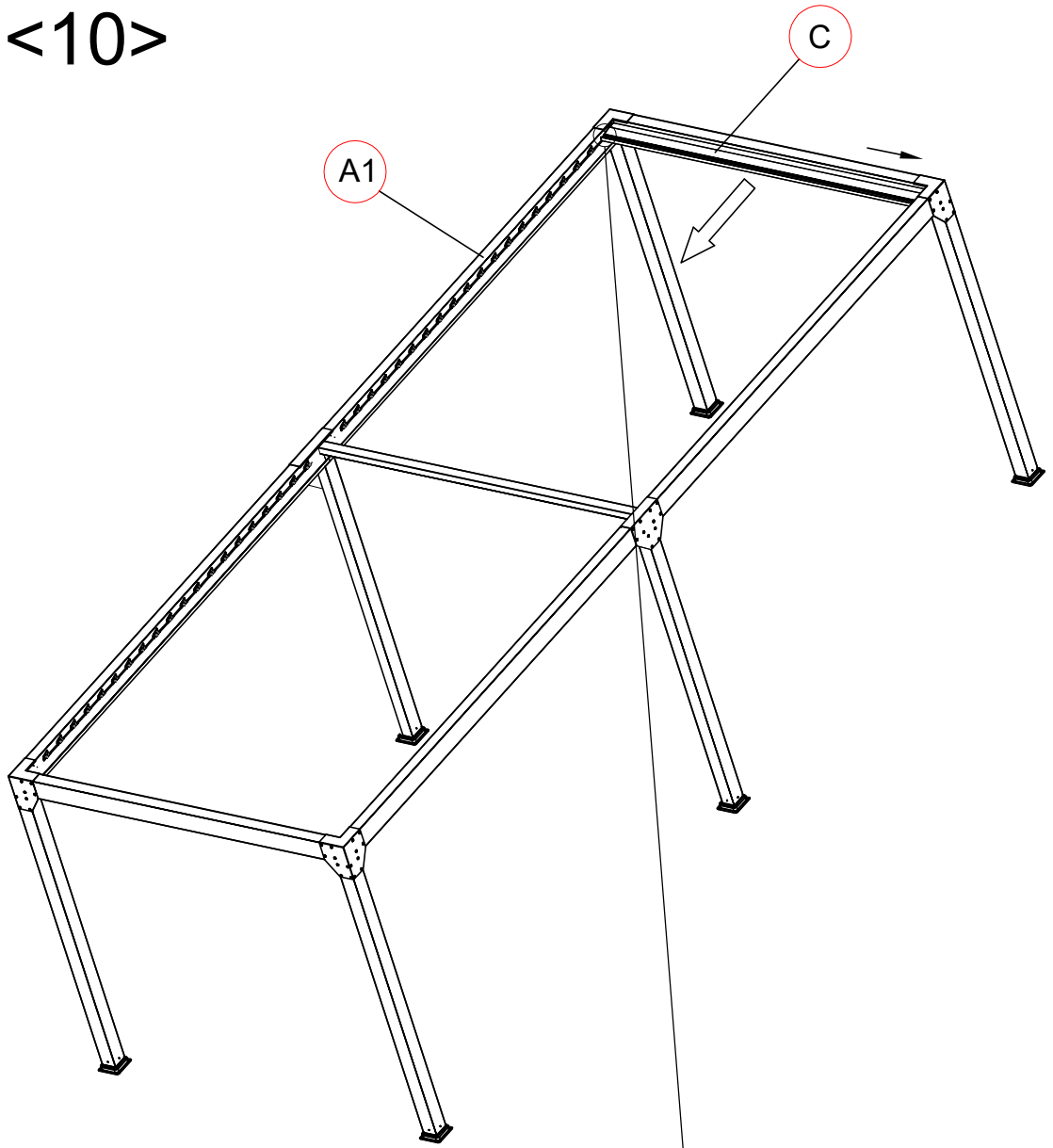


C 36x

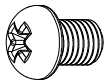


M5*8

2 36x



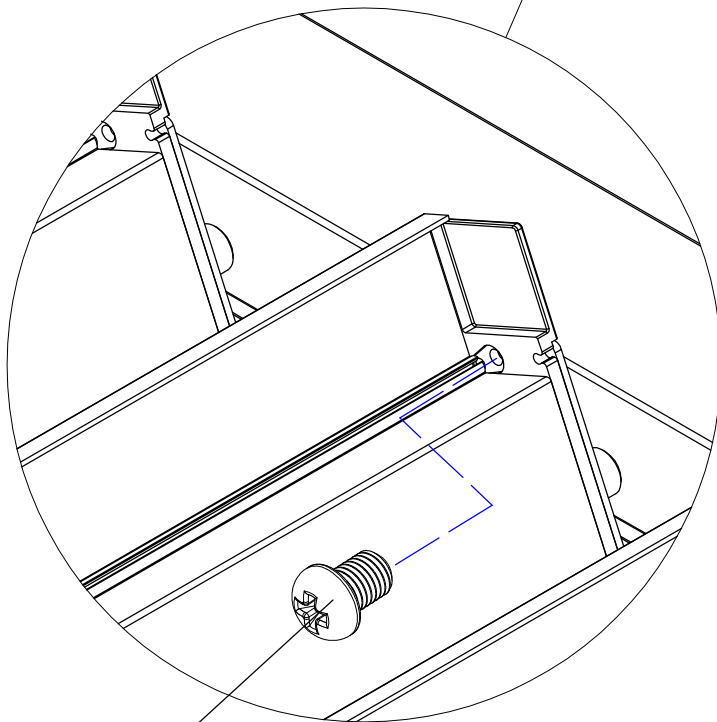
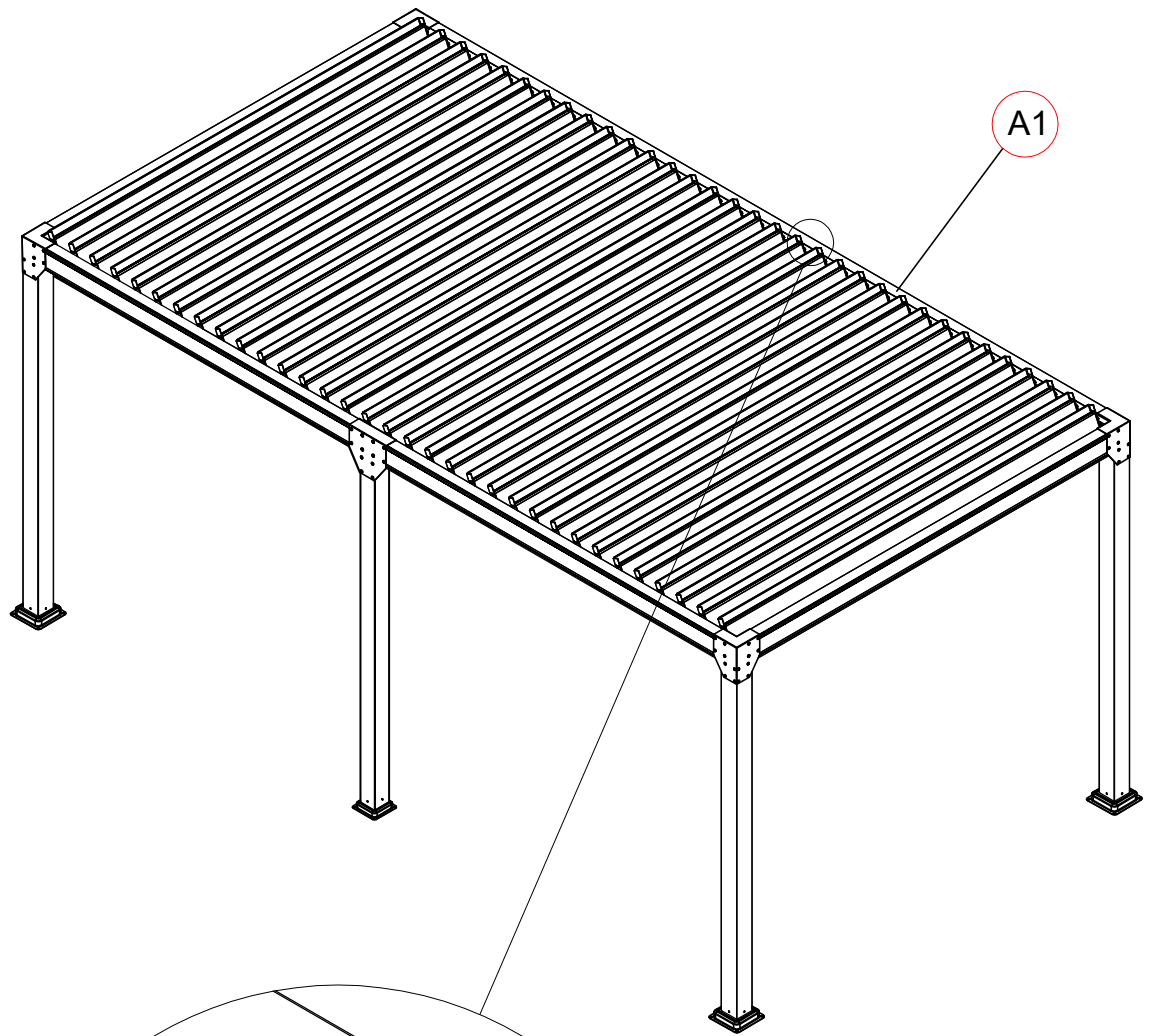
2

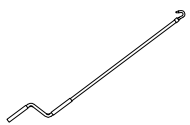


M5*8

2 36x

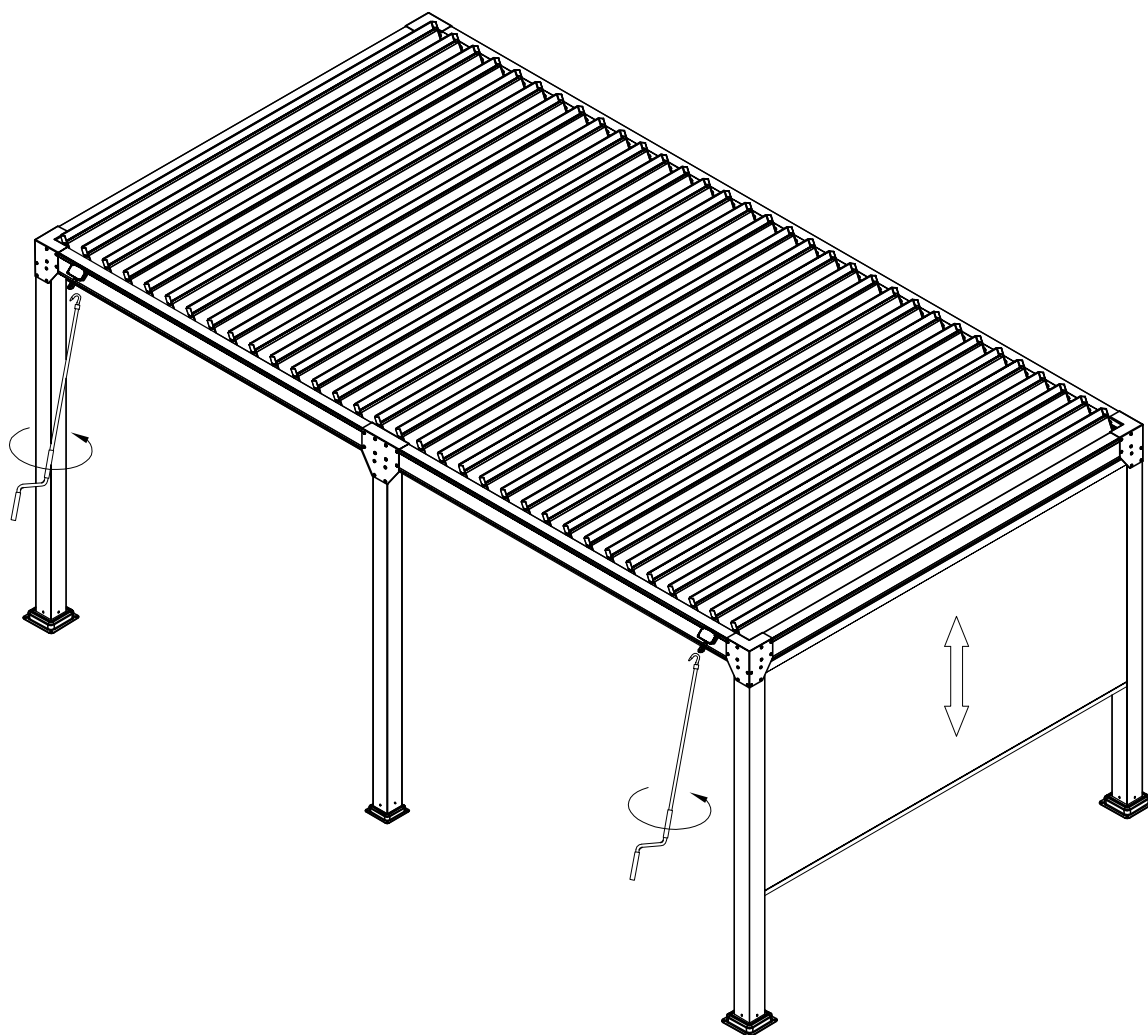
<11>





<12>

J 2x



Carton-1/7		Carton-3/7		Carton-6/7	
Part	Qty	Part	Qty	Part	Qty
B1	4	C	12	D1	4
B2	2			D2	2
E1	10				
E2	2				
Carton-2/7		Carton-4/7		Carton-7/7	
Part	Qty	Part	Qty	Part	Qty
A1	1	C	12	F1	4
A2	1			G	6
A3	1				
A4	1				
A5	2				
A6	1				
F2	2				
H	2				
J	2	Carton-5/7			
K	20	Part	Qty		
1	122	C	12		
2	74				
3	24				
4	20				
5	6				
6	1				