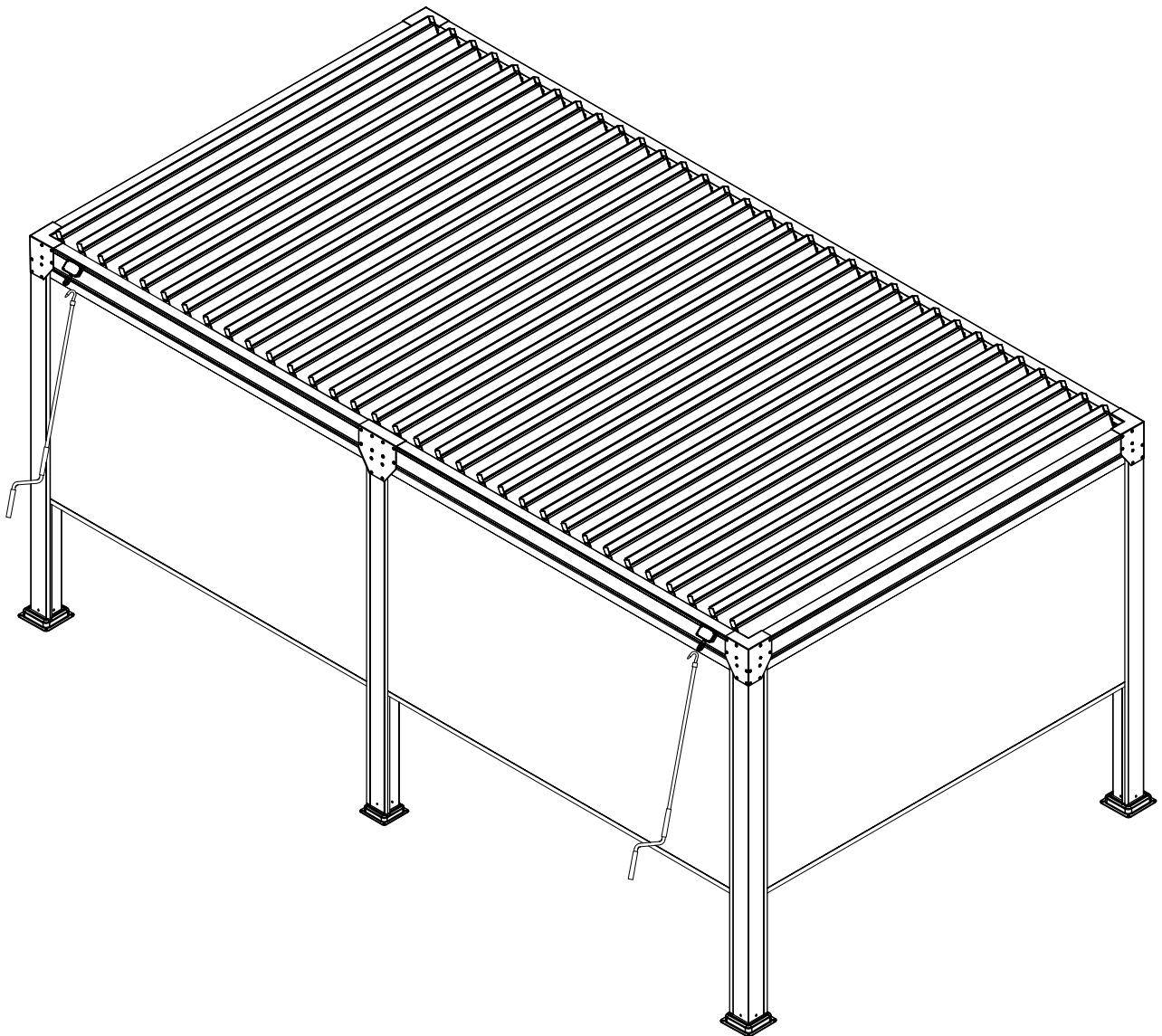
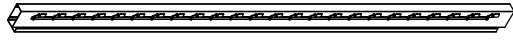


10 x 20 FT

▯ ▯ ▯ ▯ ▯ ▯ ▯ ▯ ▯ ▯ XWG-274 ▯ ▯ ▯ ▯ ▯ ▯ ▯ ▯ ▯ ▯

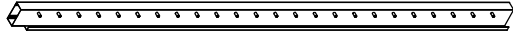




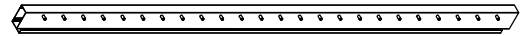
A1 1x



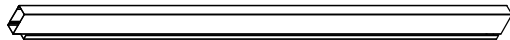
A2 1x



A3 1x



A4 1x



A5 2x



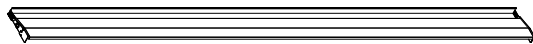
A6 1x



B1 4x



B2 2x



C 36x



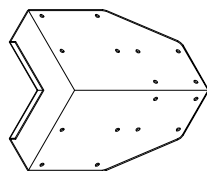
D 6x



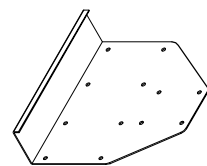
E1 10x



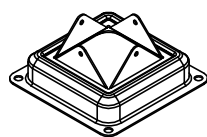
E2 2x



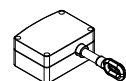
F1 4x



F2 2x



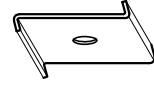
G 6x



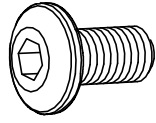
H 2x



J 2x

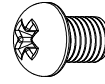


K 18x + 2x



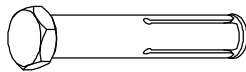
M6x15

1 120x + 2x



M5*8

2 72x + 2x



3 24x

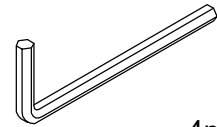


ST3. 5*8

4 18x + 2x



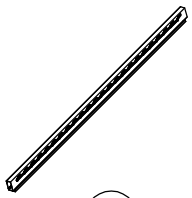
5 6x



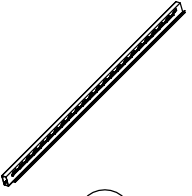
4mm

6 1x

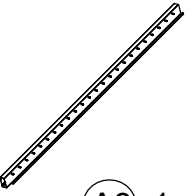
<1>



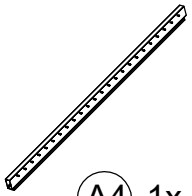
A1 1x



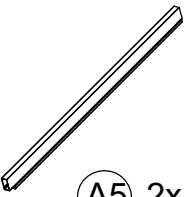
A2 1x



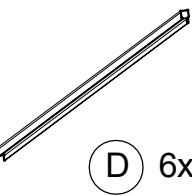
A3 1x



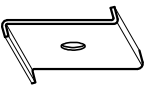
A4 1x



A5 2x



D 6x



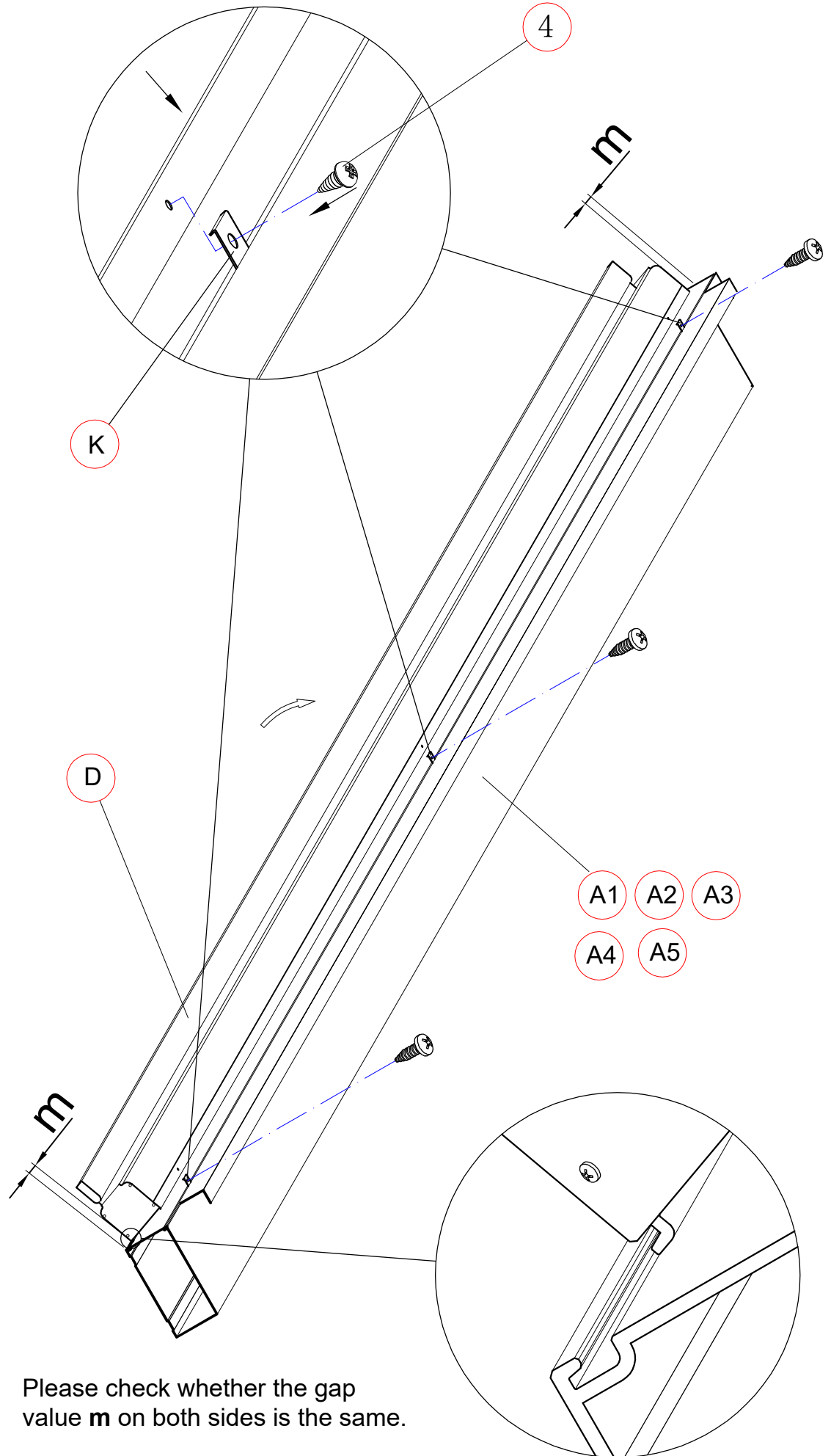
K 18x

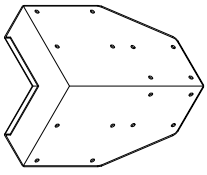


ST3.5*8

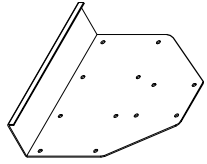
4 18x

4

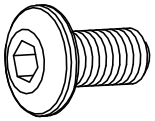




F1 4x



F2 2x



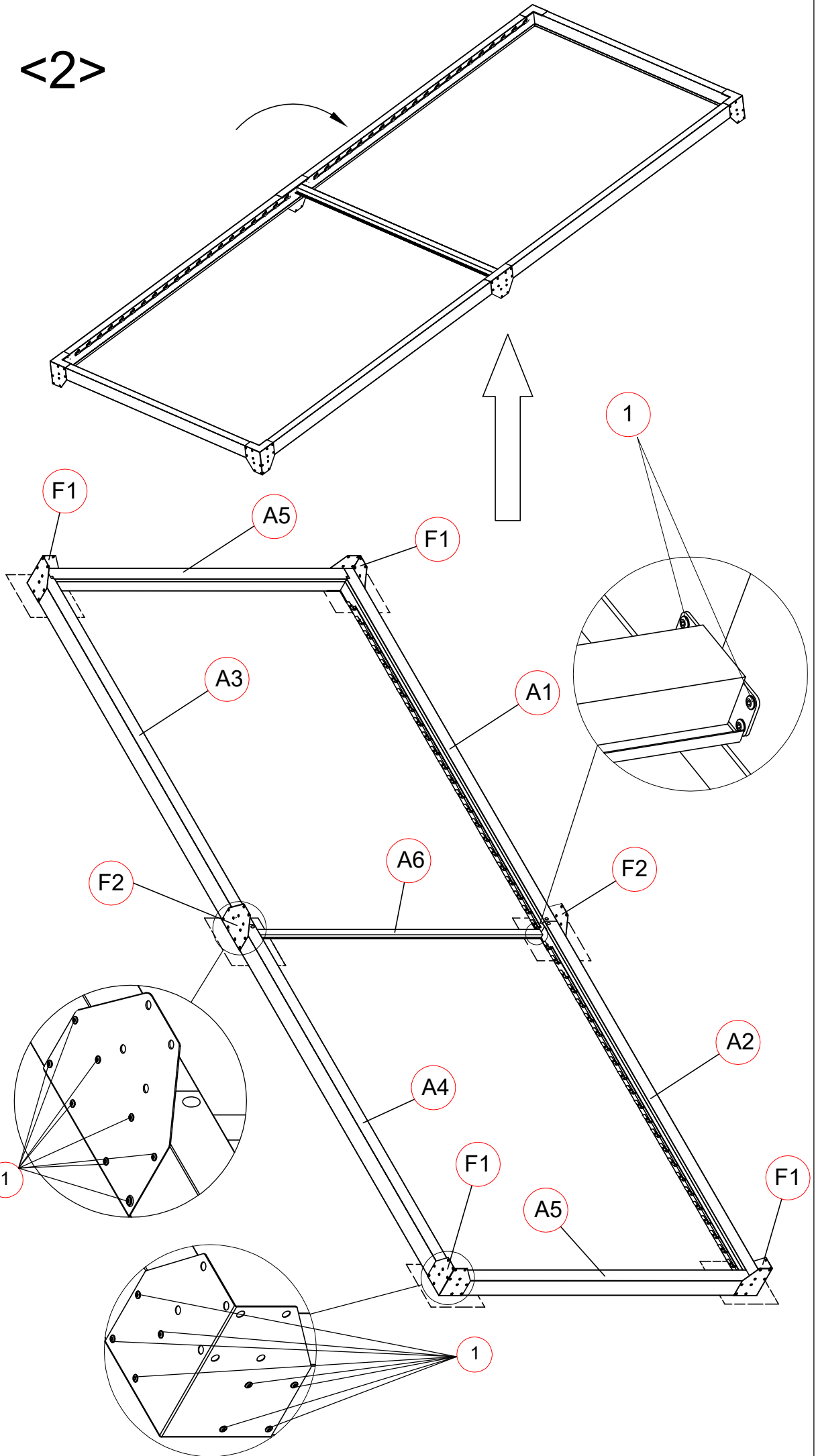
M6x15

1 56x



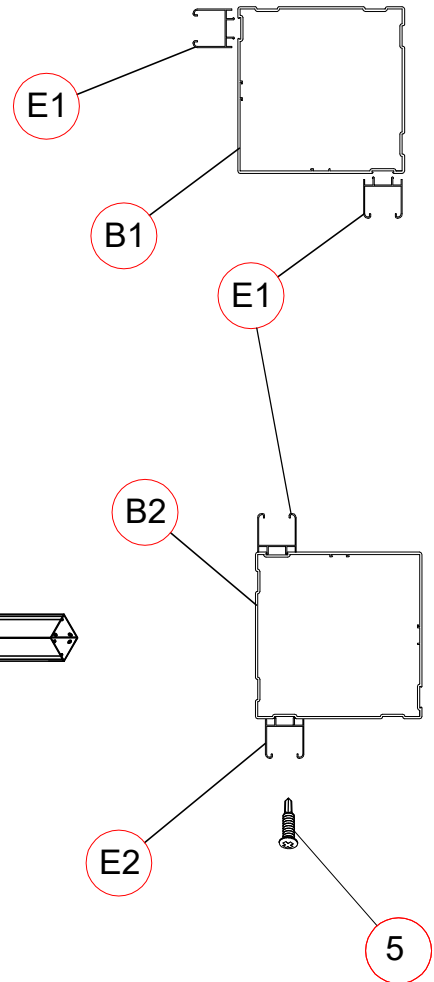
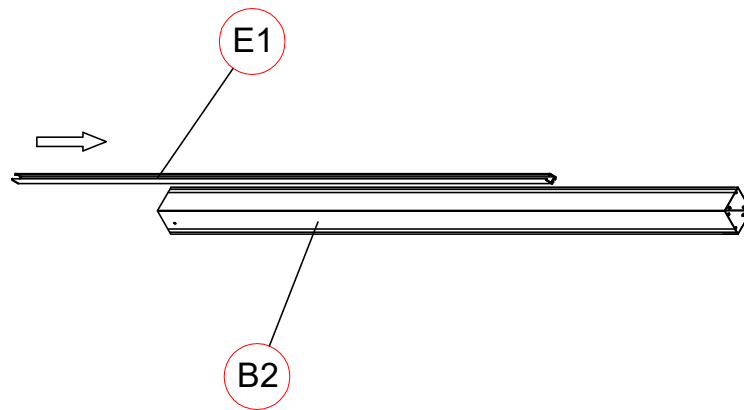
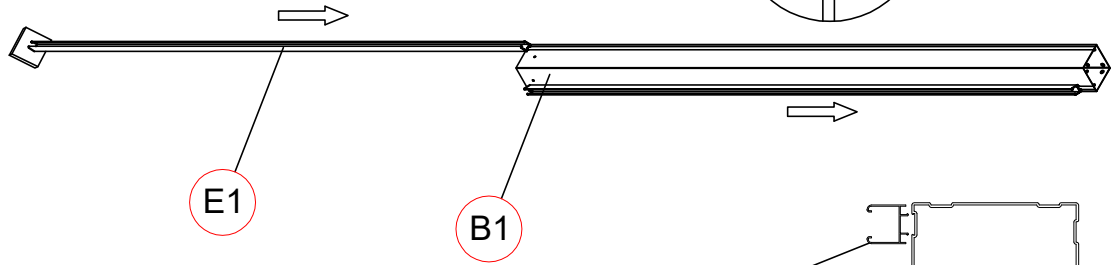
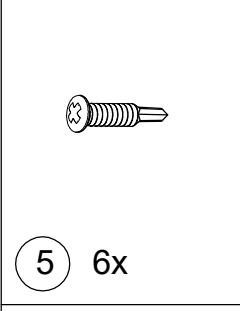
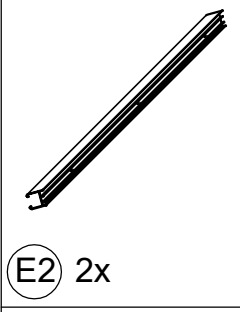
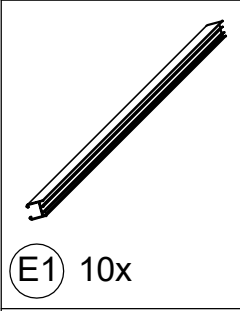
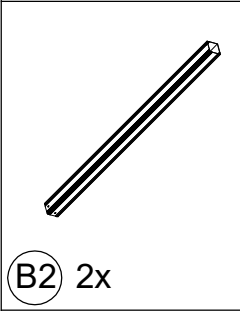
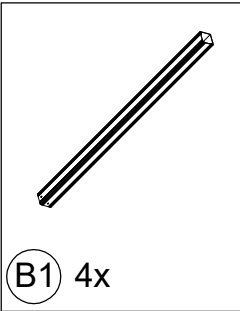
A6 1x

<2>



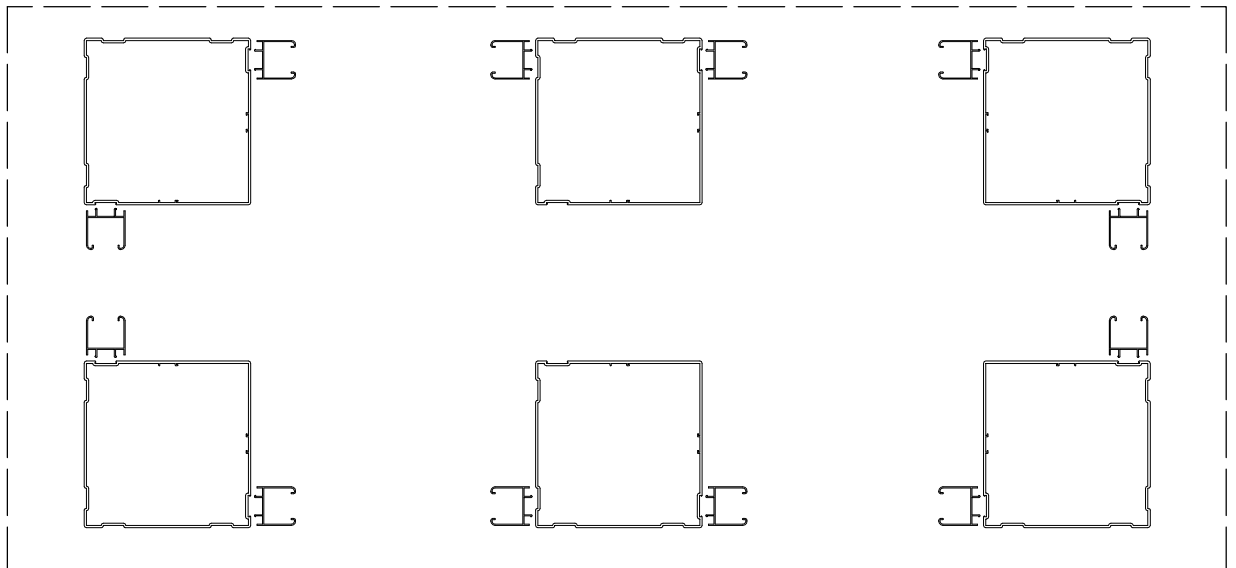
5

<3>

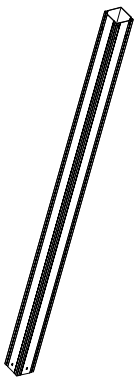


Please assemble part E1 to Part B2 on the side with a slot and assemble part E2 to Part B2 with 5# self-tapping screw on the other side.

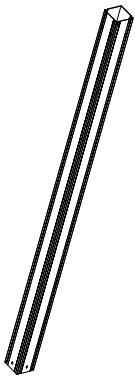
6



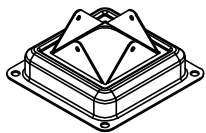
<4>



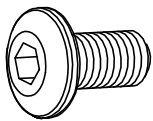
B1 4x



B2 2x

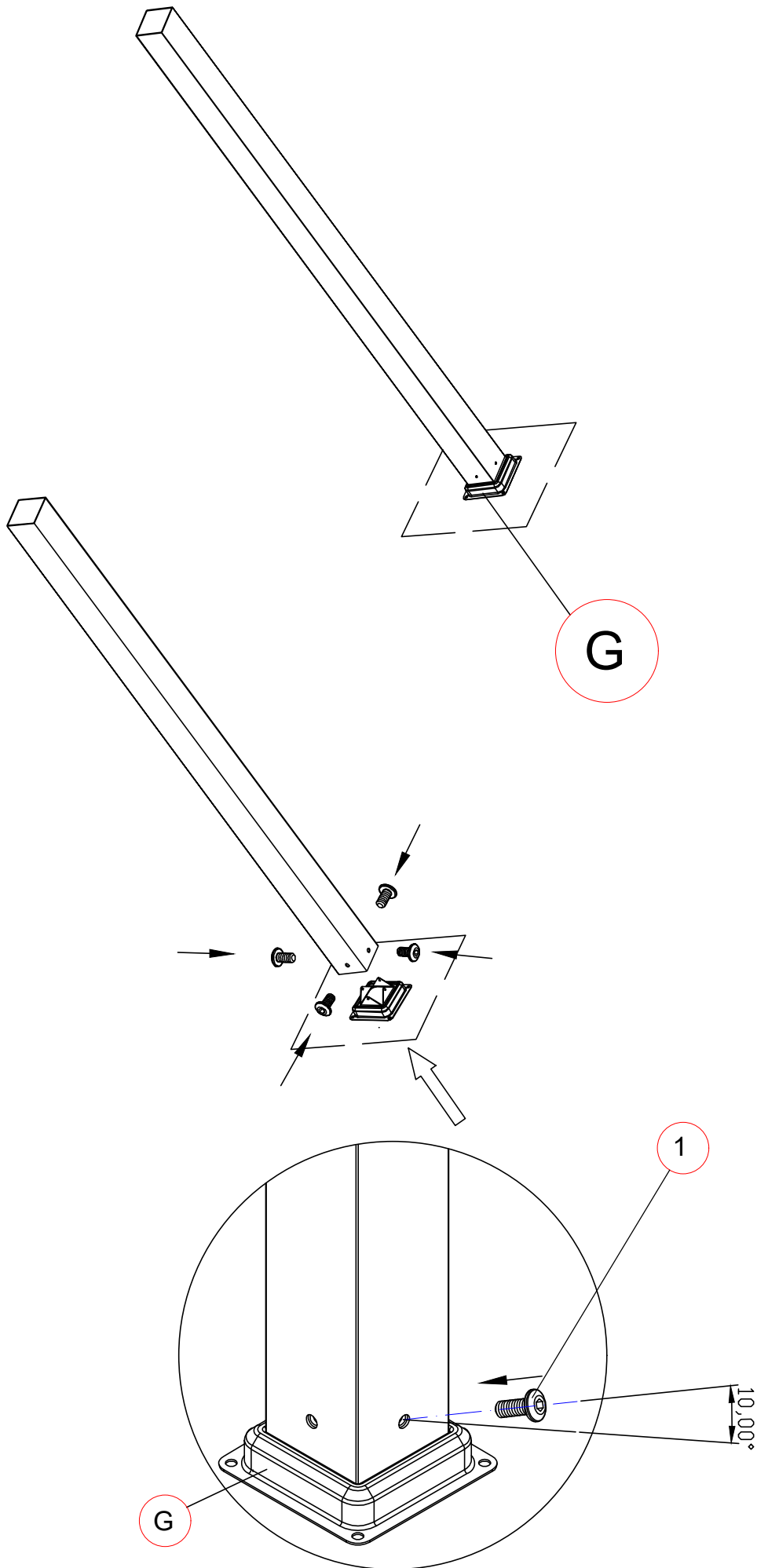


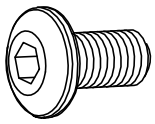
G 6x



M6x15

1 24x



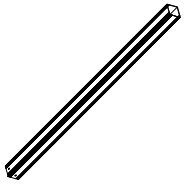


M6x15

1 20x

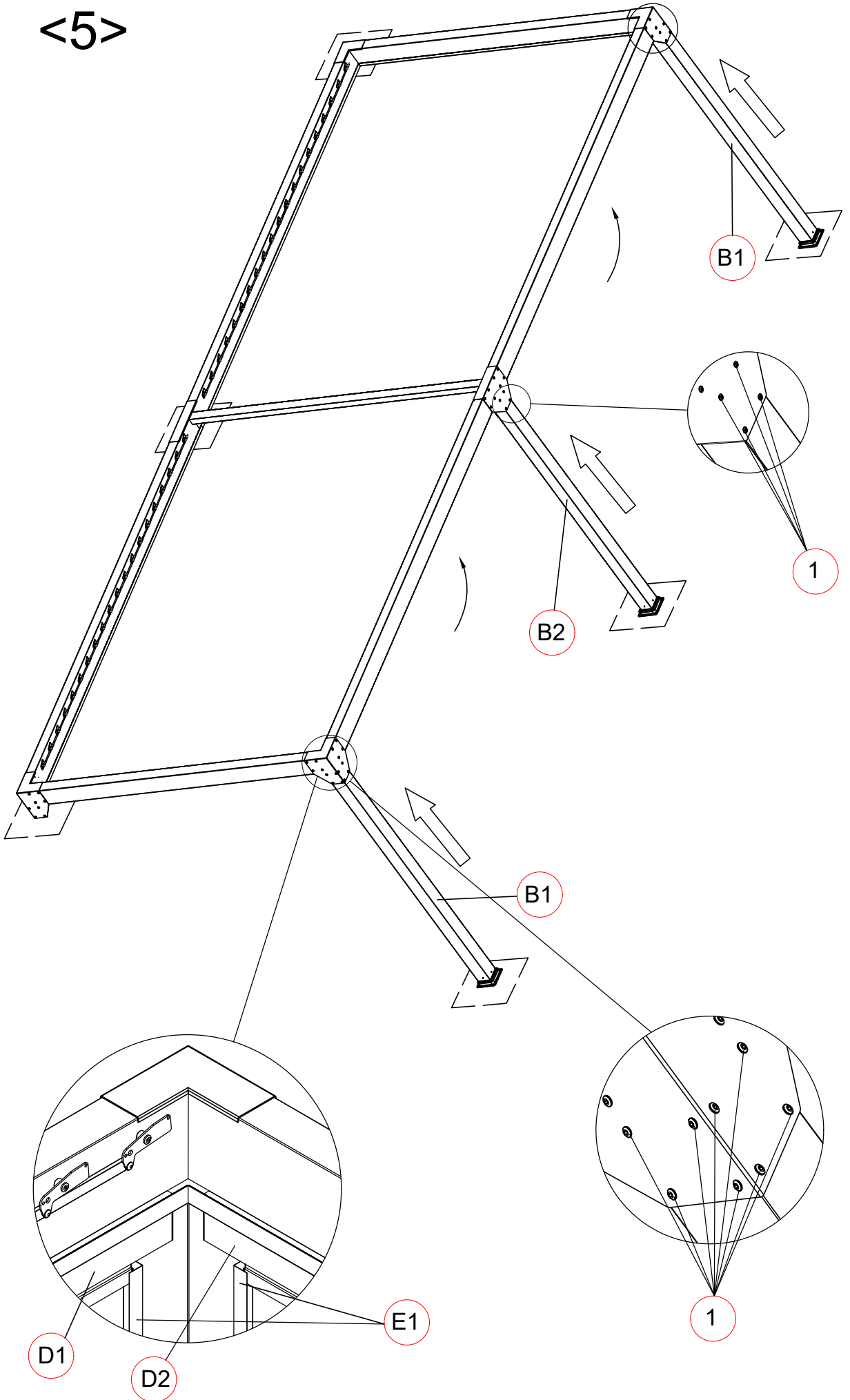


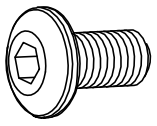
B1 2x



B2 1x

<5>



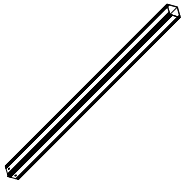


M6x15

1 20x

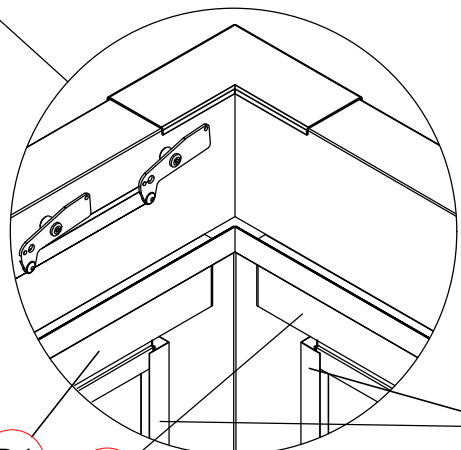
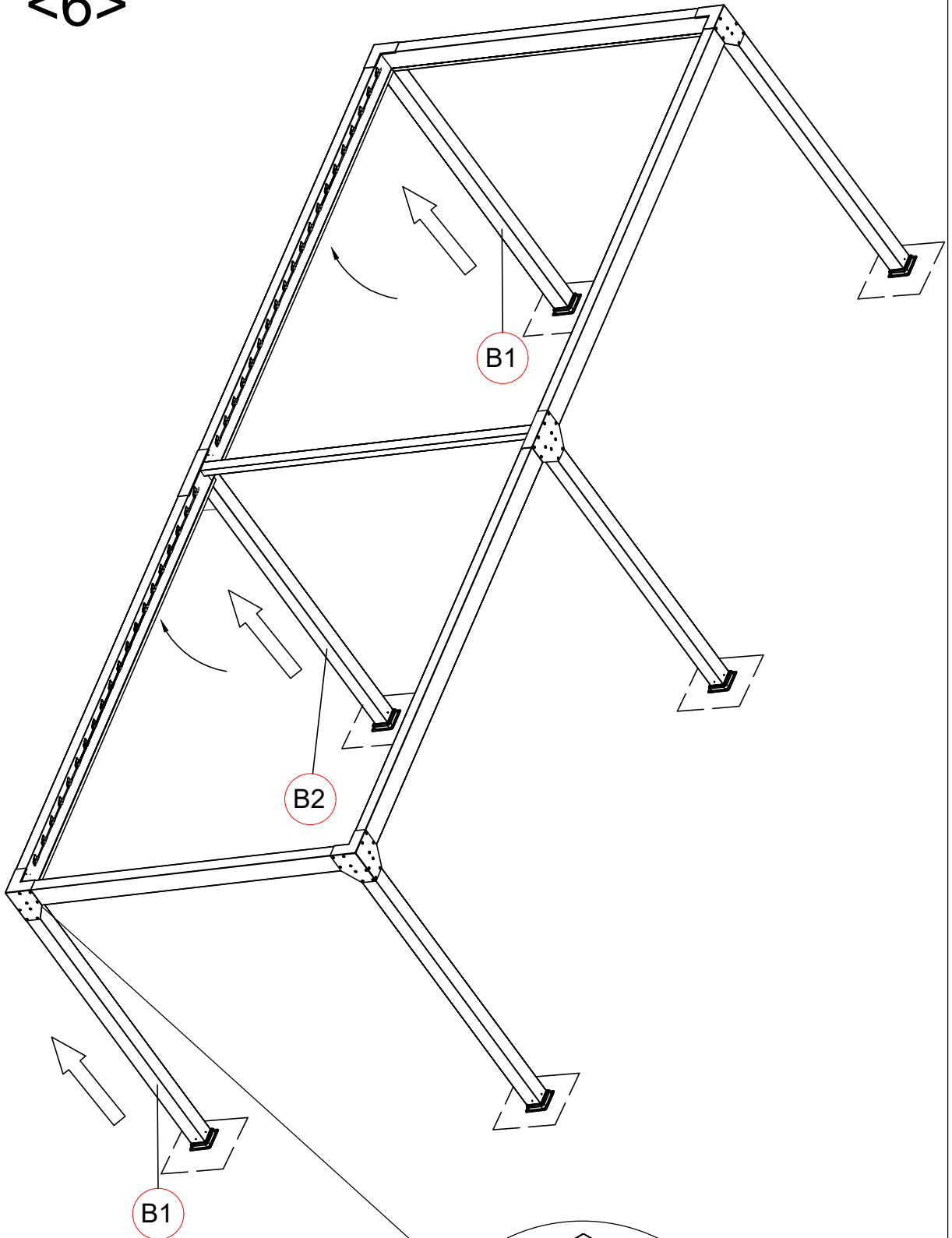


B1 2x



B2 1x

<6>

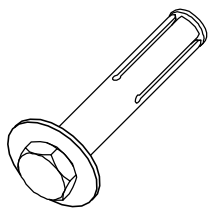


9

D1

D2

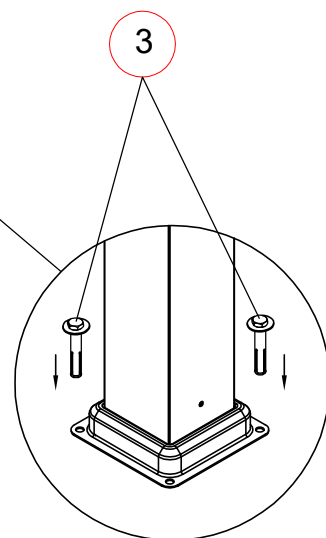
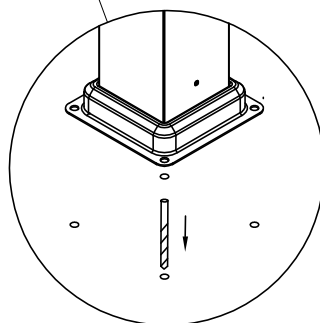
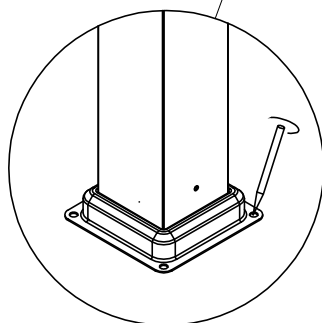
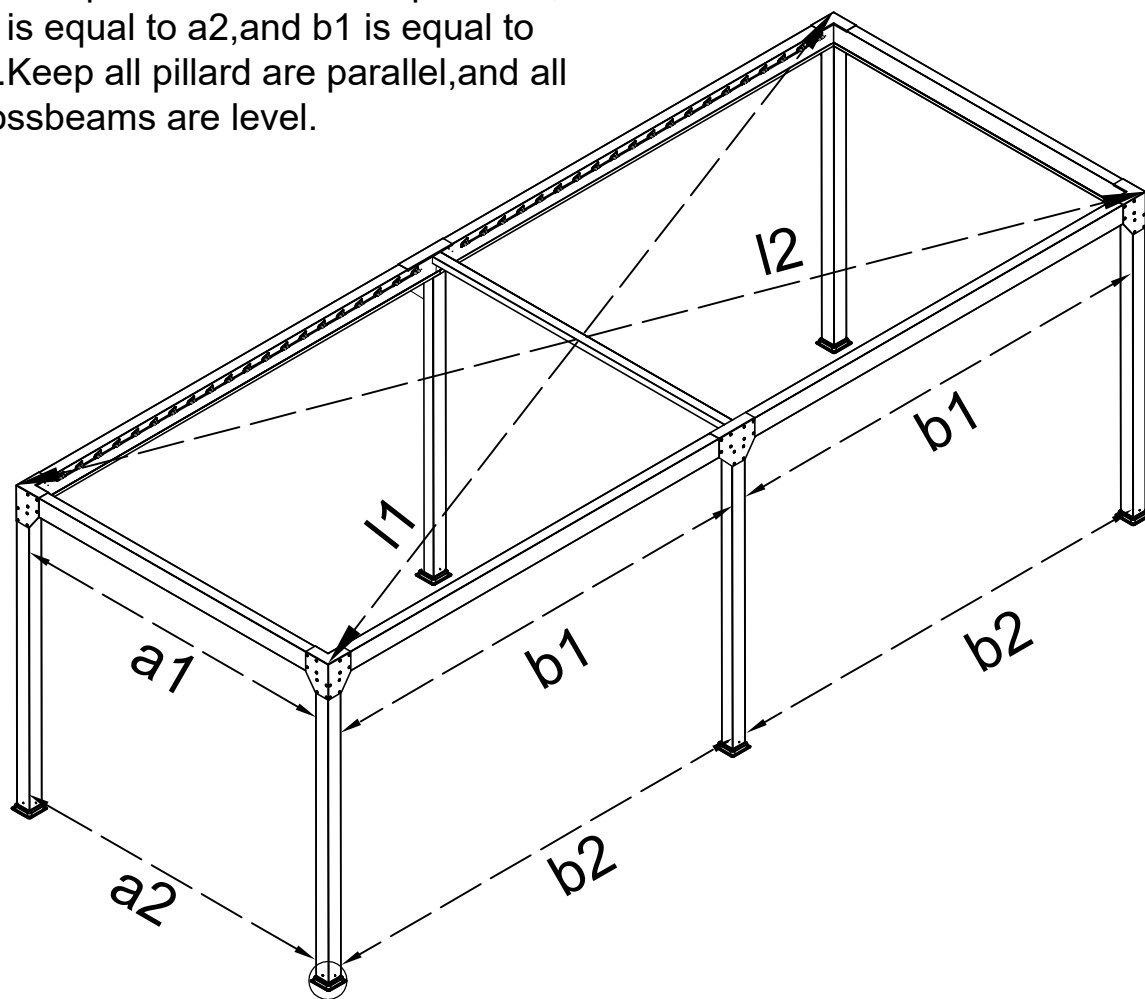
E1

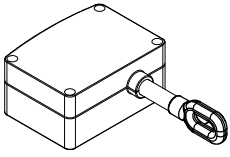


3 24x

<7>

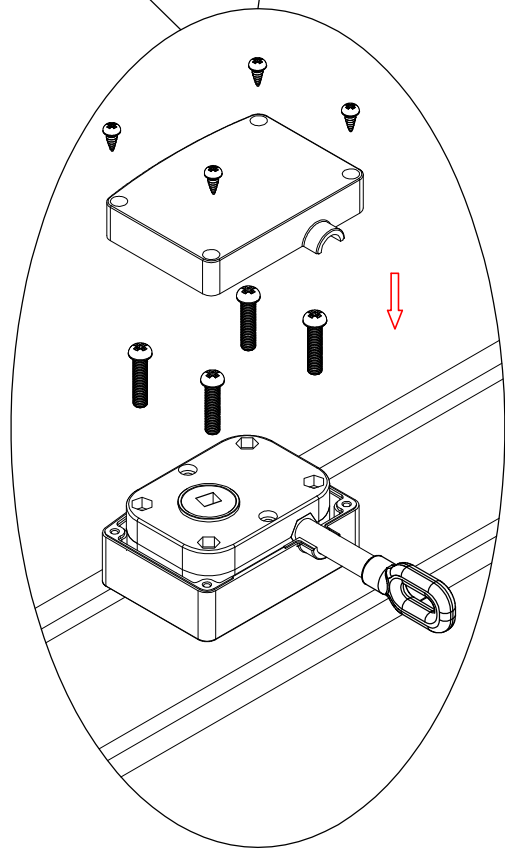
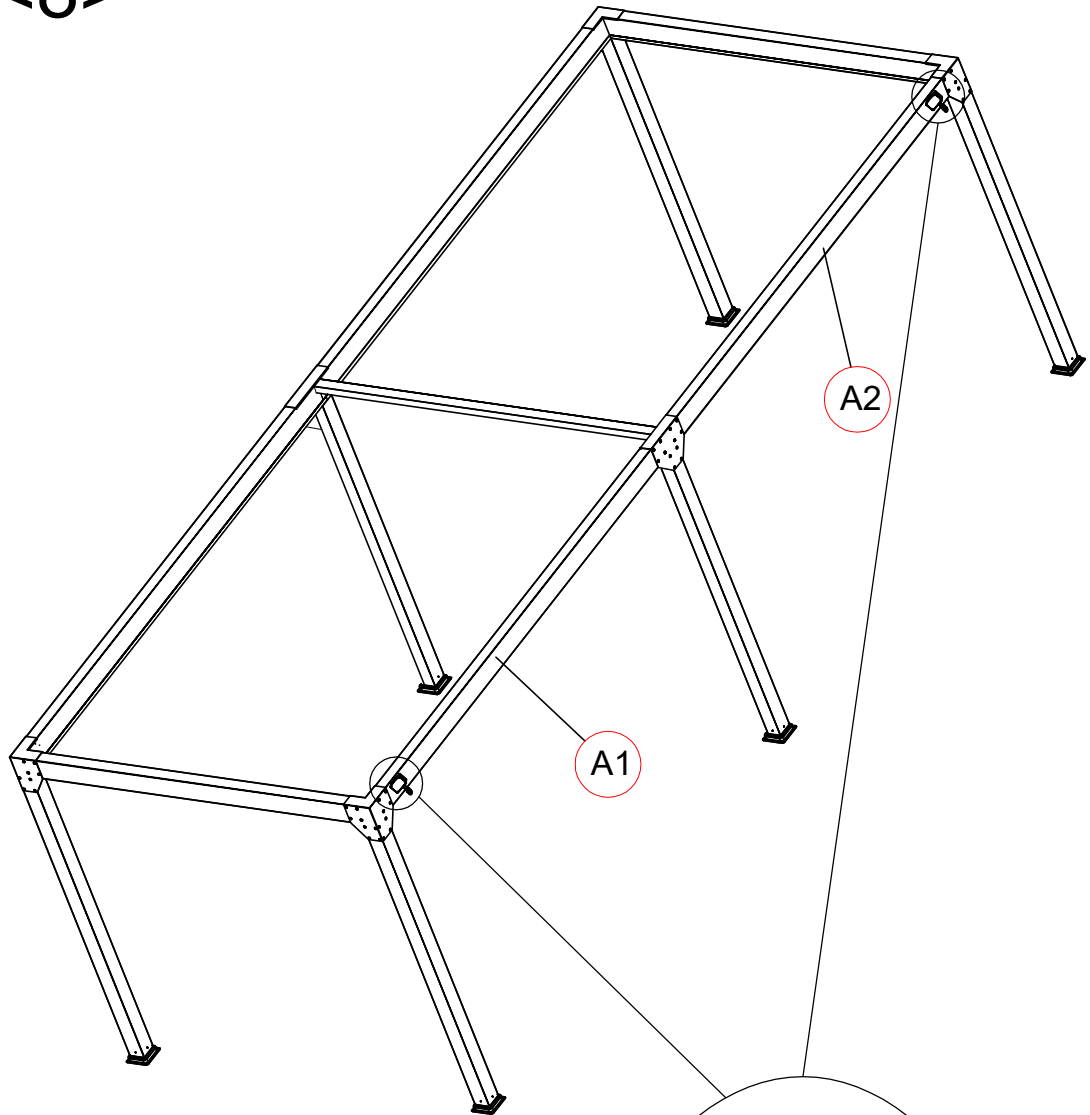
Measure the diagonal distance and horizontal distance between pillars before next step. Make sure l_1 is equal to l_2 , and a_1 is equal to a_2 , and b_1 is equal to b_2 . Keep all pillars parallel, and all crossbeams are level.



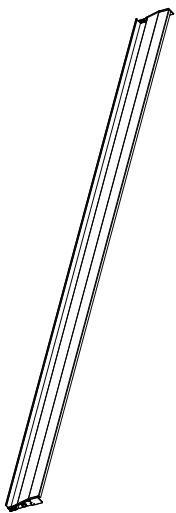


<8>

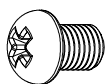
(H) 2x



<9>

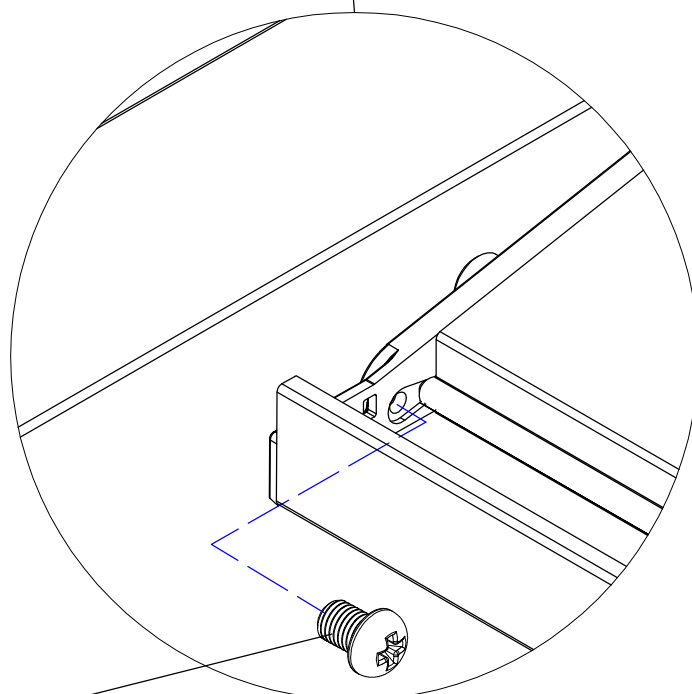
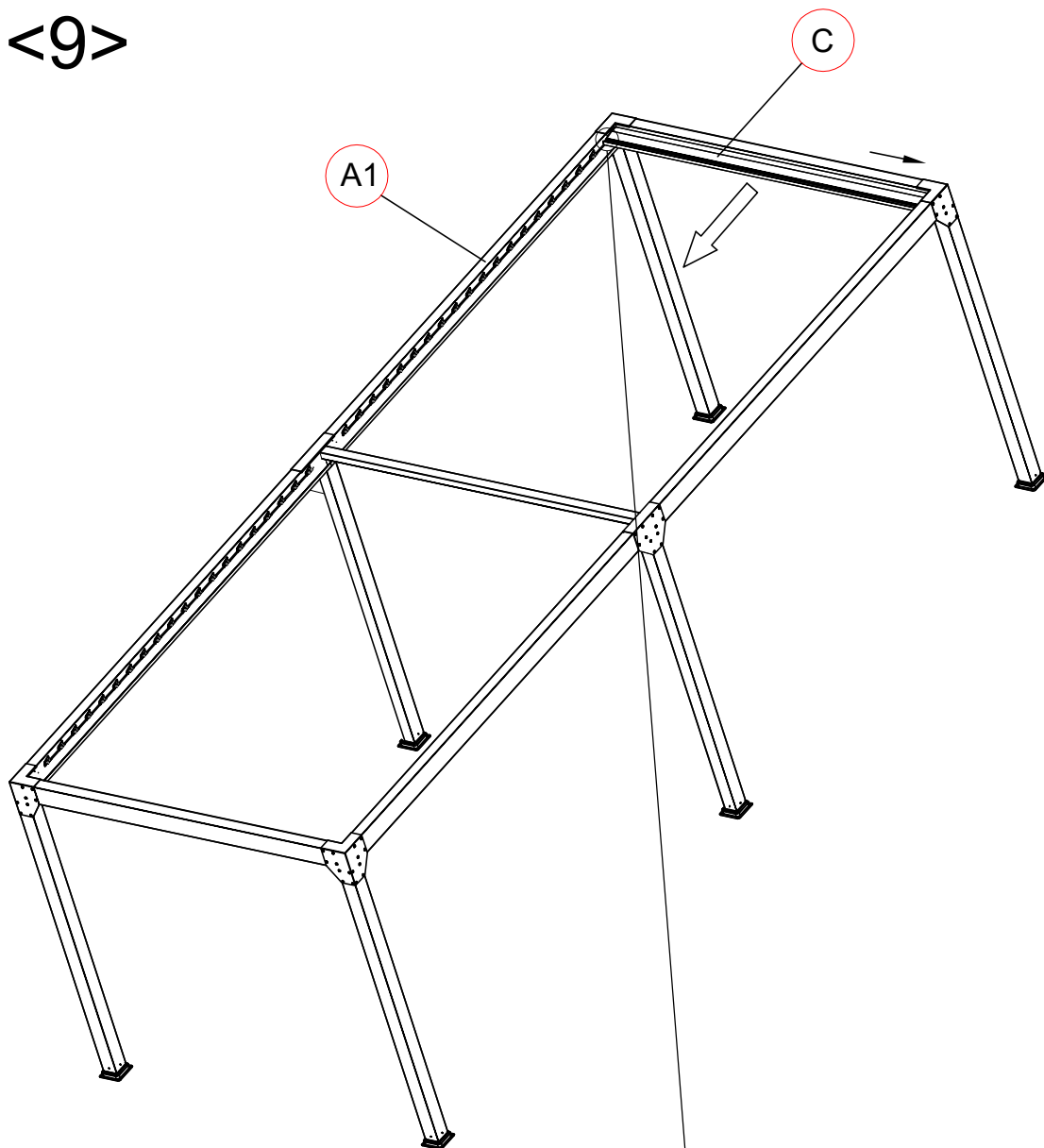


C 36x

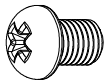


M5*8

2 36x



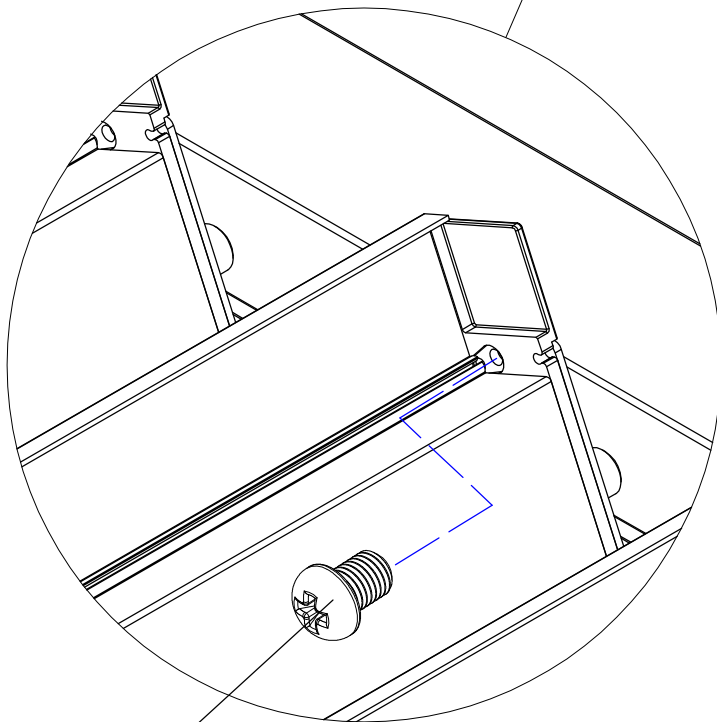
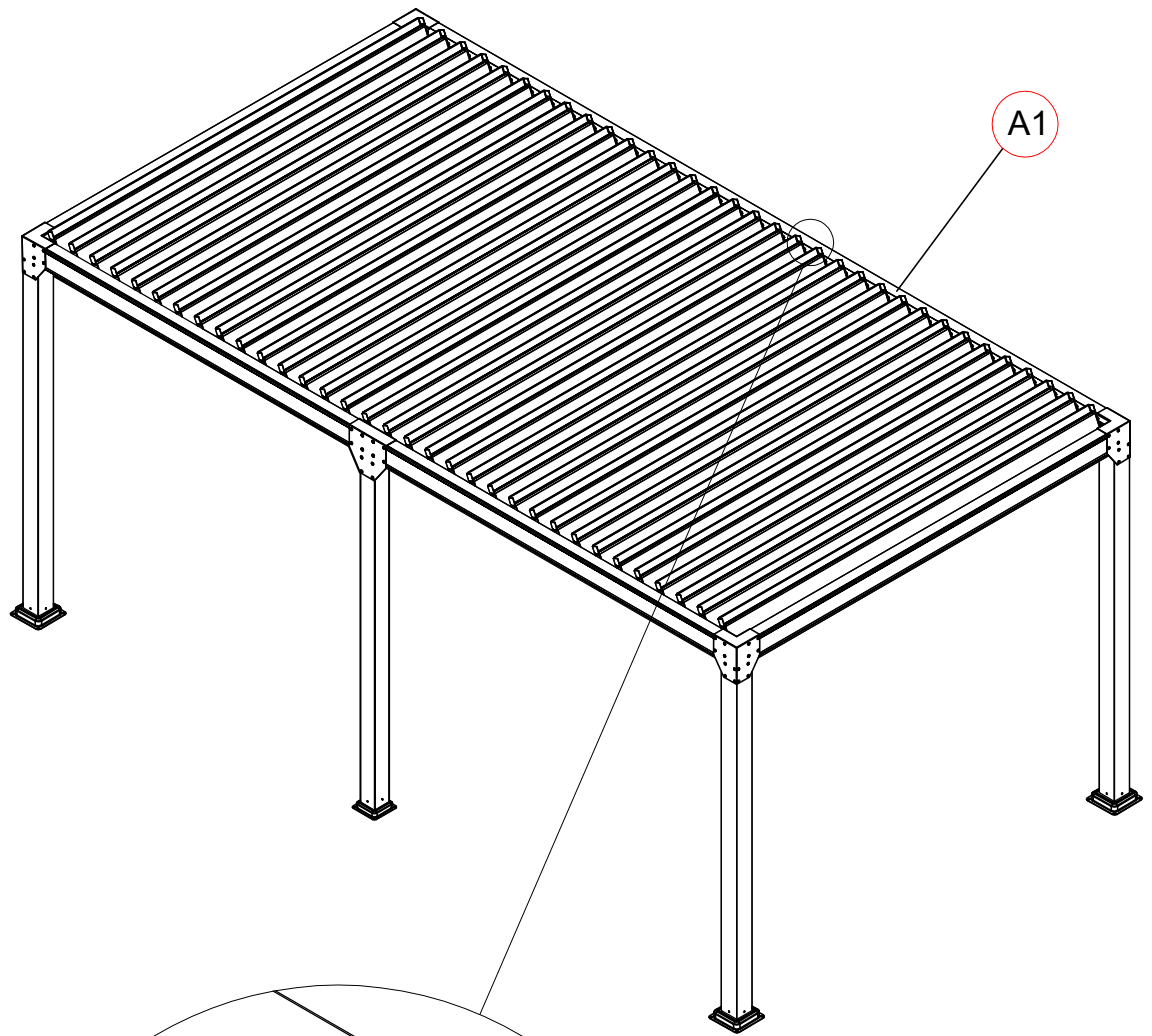
2

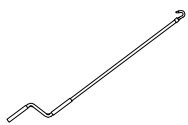


M5*8

2 36x

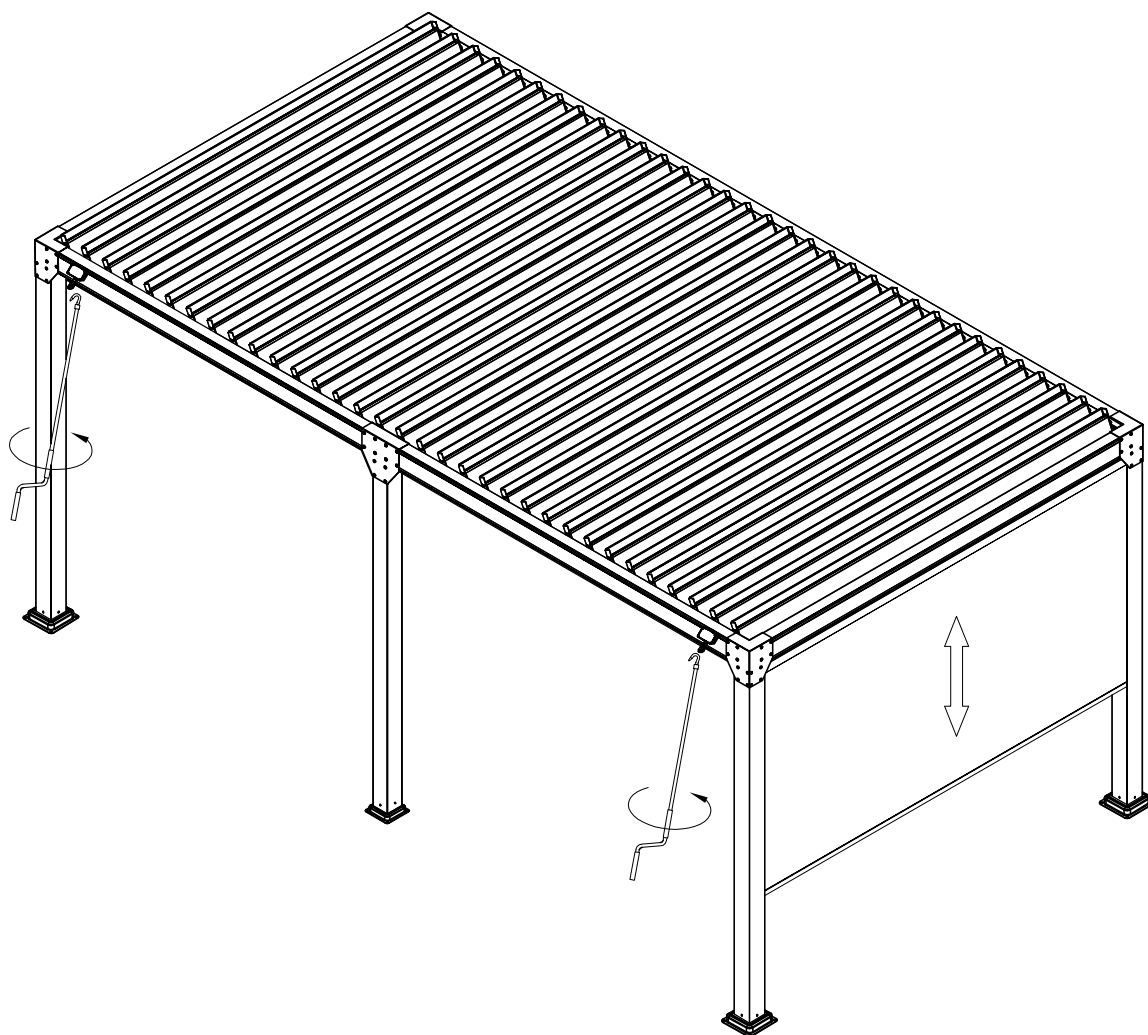
<10>





<11>

J 2x



Carton-1/7		Carton-3/7		Carton-6/7	
Part	Qty	Part	Qty	Part	Qty
B1	4	C	12	D	6
B2	2				
E1	10				
E2	2				
Carton-2/7		Carton-4/7		Carton-7/7	
Part	Qty	Part	Qty	Part	Qty
A1	1	C	12	F1	4
A2	1			G	6
A3	1				
A4	1				
A5	2				
A6	1				
F2	2				
H	2				
J	2				
K	20	Carton-5/7			
1	122	Part	Qty		
2	74	C	12		
3	24				
4	20				
5	6				
6	1				