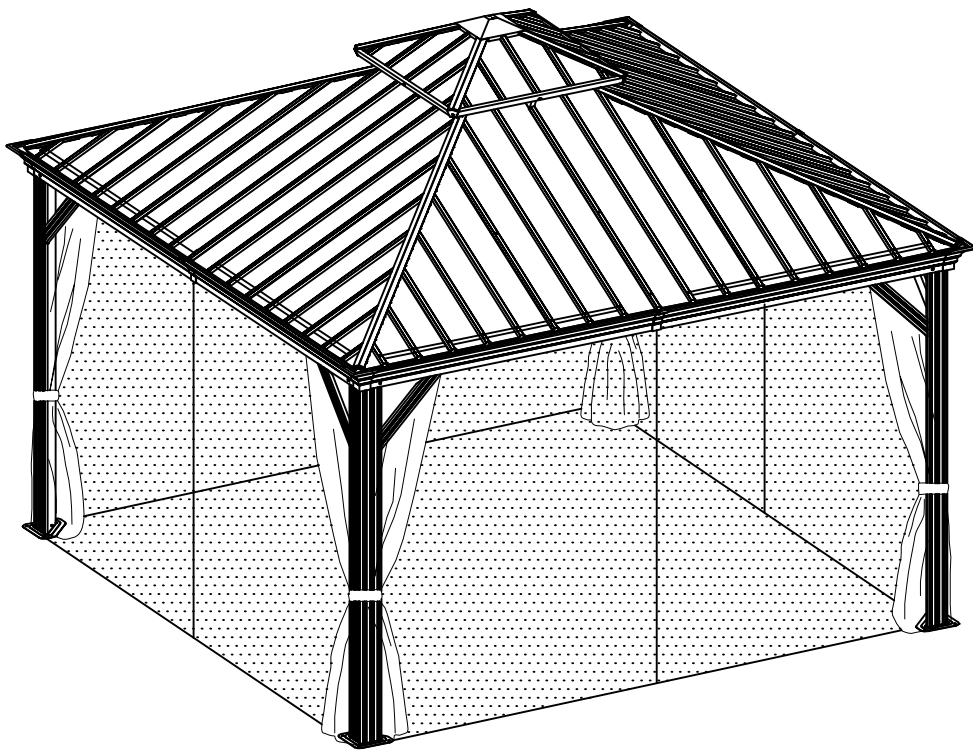
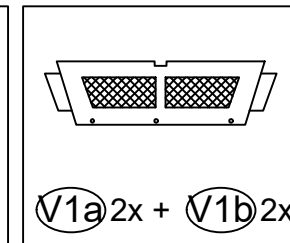
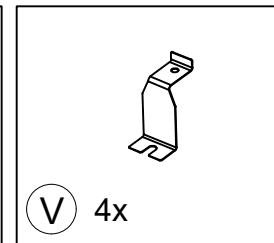
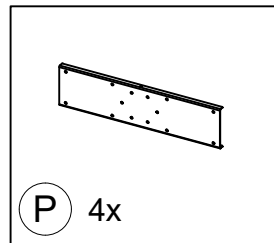
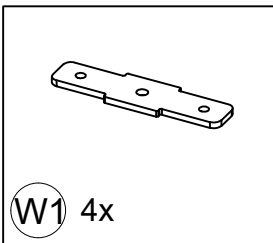
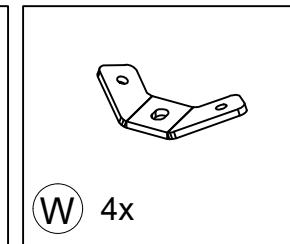
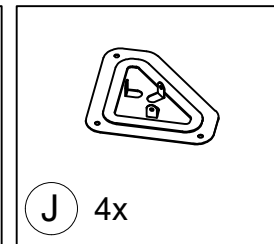
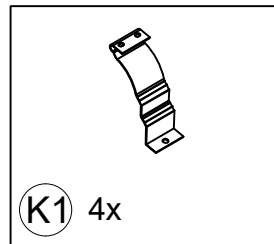
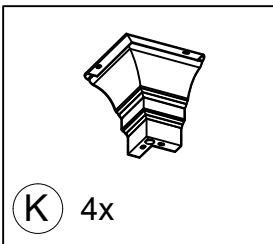
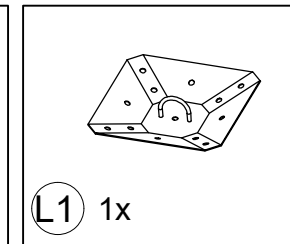
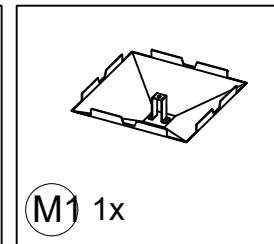
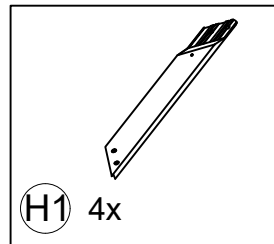
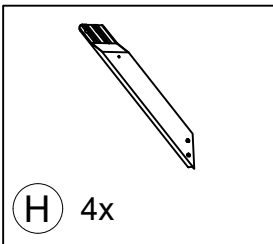
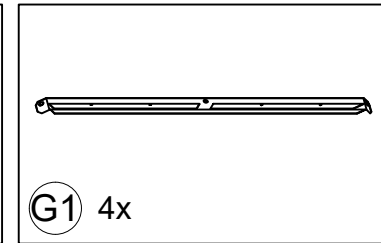
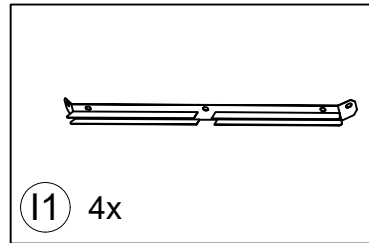
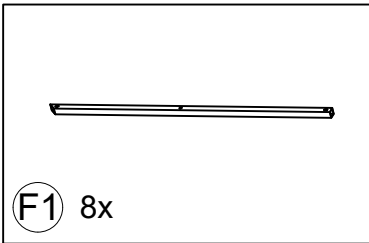
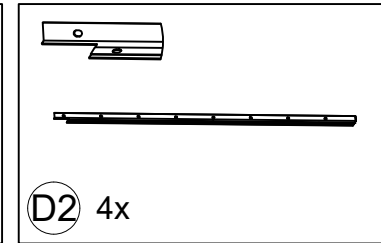
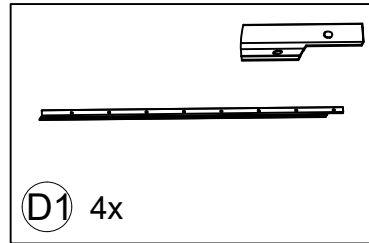
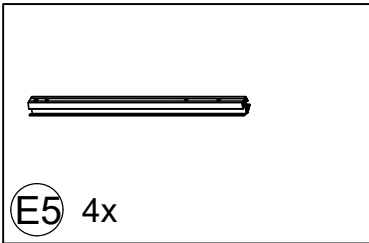
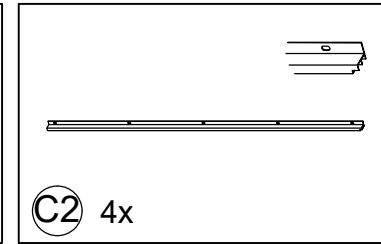
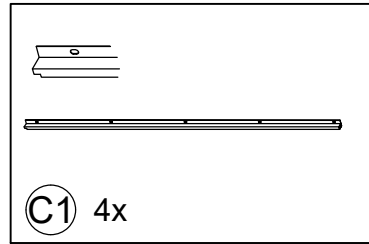
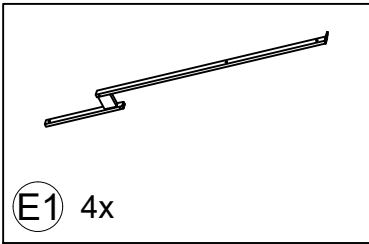
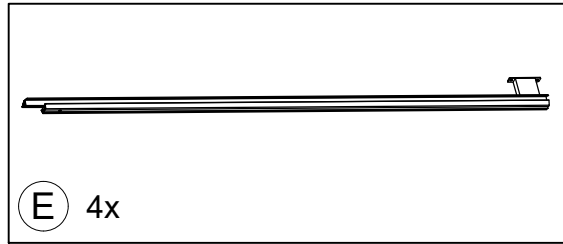
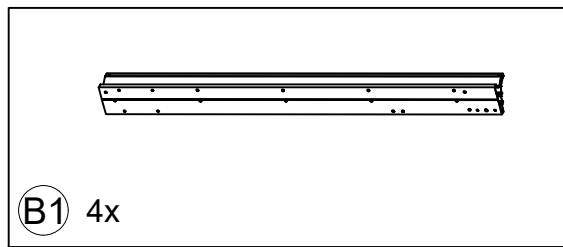
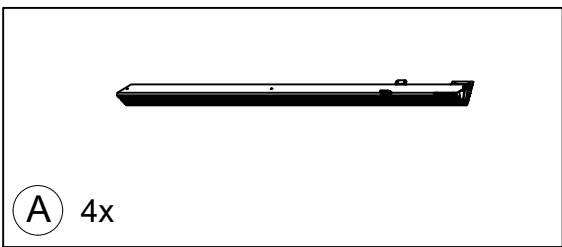
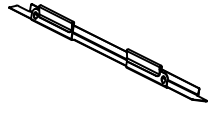
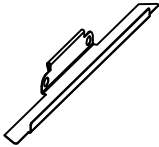
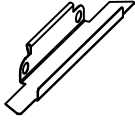
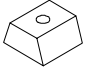


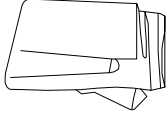
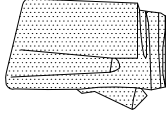




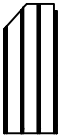

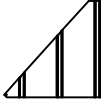
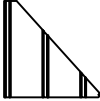





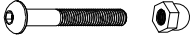








12 x 12FT

□ □ □ □ □ □ □ □ XWG-255TN □ □ □ □ □ □ □ □





 Z 64x	 Z1 8x	 Z2 8x	 Y 80x
 U 112x	 N 8x	 T 4x	 T1 4x
 R1 4x	 R2 4x	 R3 4x	 R4 4x
 R5 4x	 R6 4x	 S1 4x	 S2 4x
 M6x15 1 241x	 M6x23 2 64x	 M6x25 3 4x	 ST 4.8x12 4 24x
 M6x42 6 4x	 M6x47 7 8x	 8 16x	
 M6x10 9 8x	 10 12x	 4mm 12 2x	 6mm 13 1x
 14 1x			

<1>

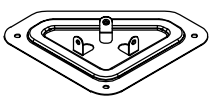


A 4x

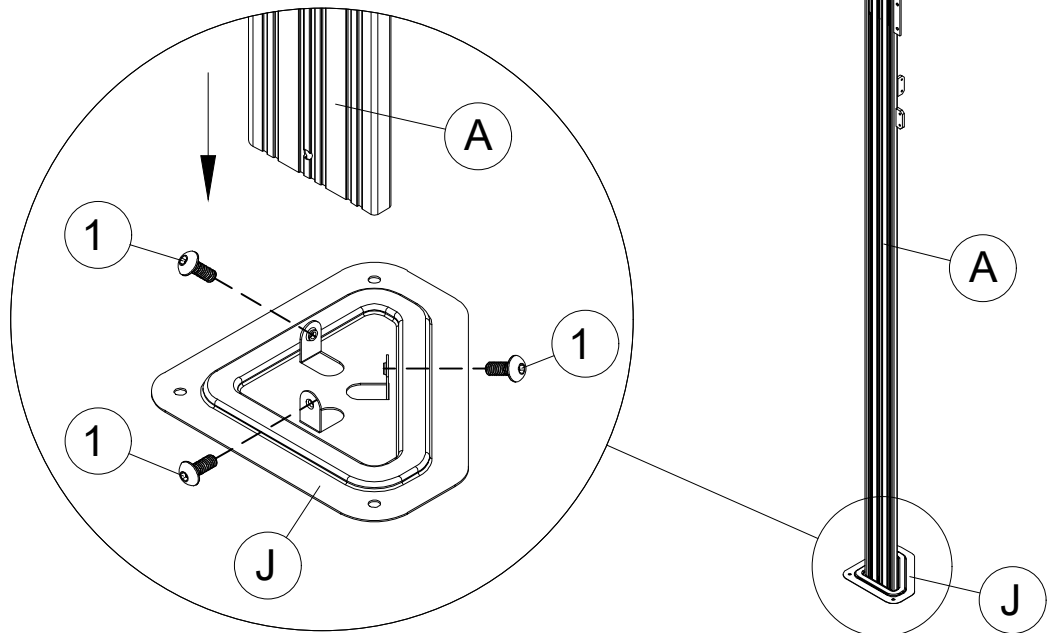


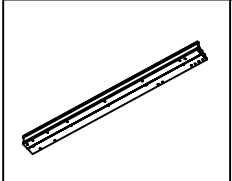
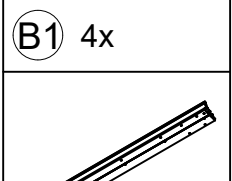
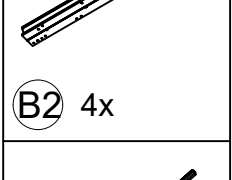
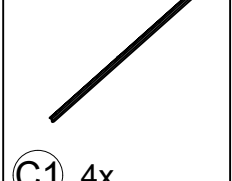
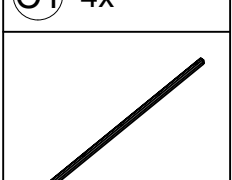
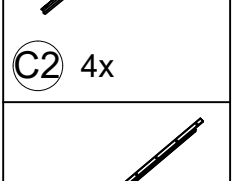
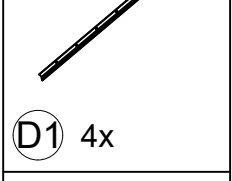

M6x15

1 12x

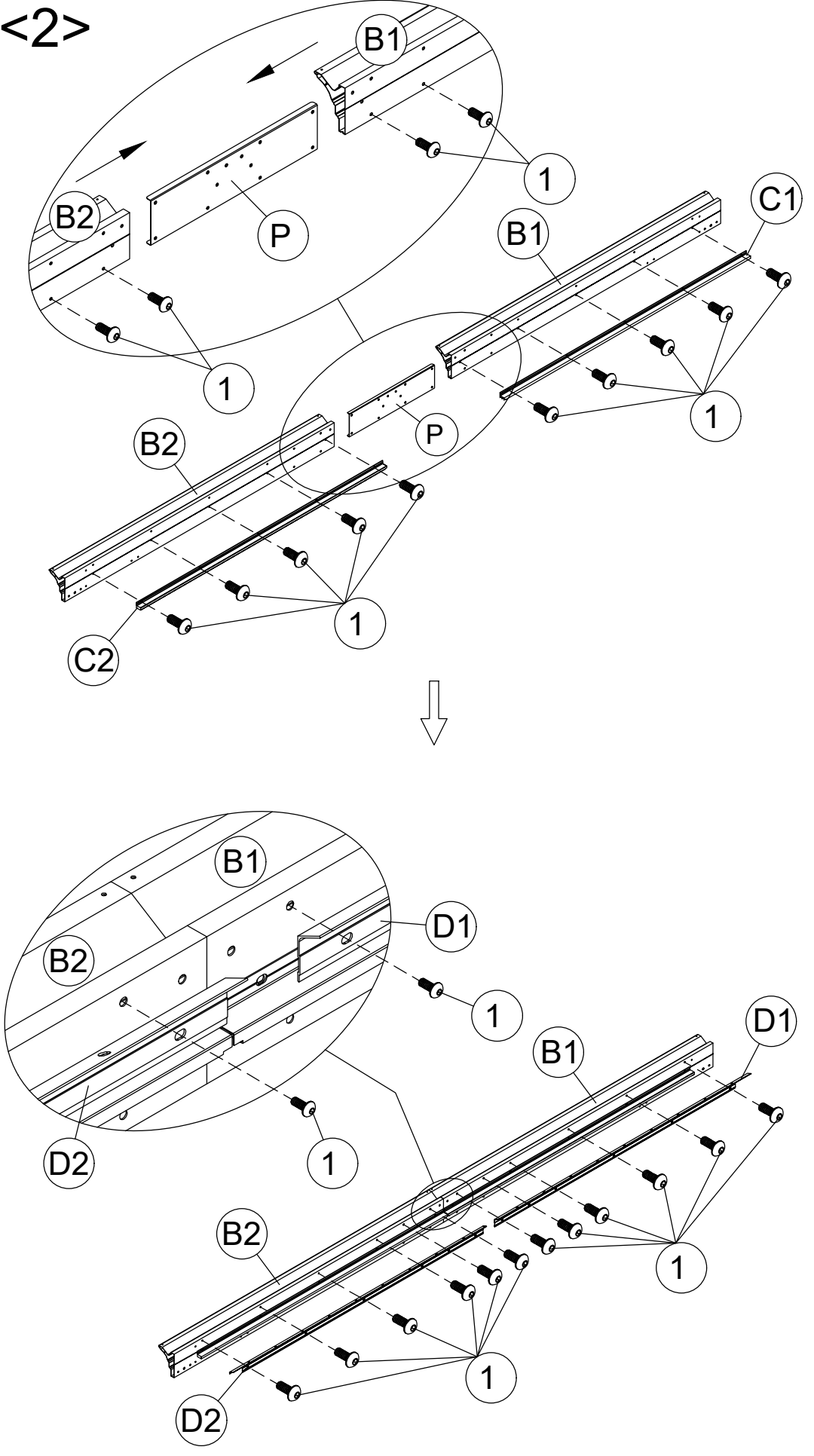


J 4x



-  B1 4x
-  B2 4x
-  C1 4x
-  C2 4x
-  D1 4x
-  D2 4x
-  P 4x
-  1 104x
- 5**

<2>





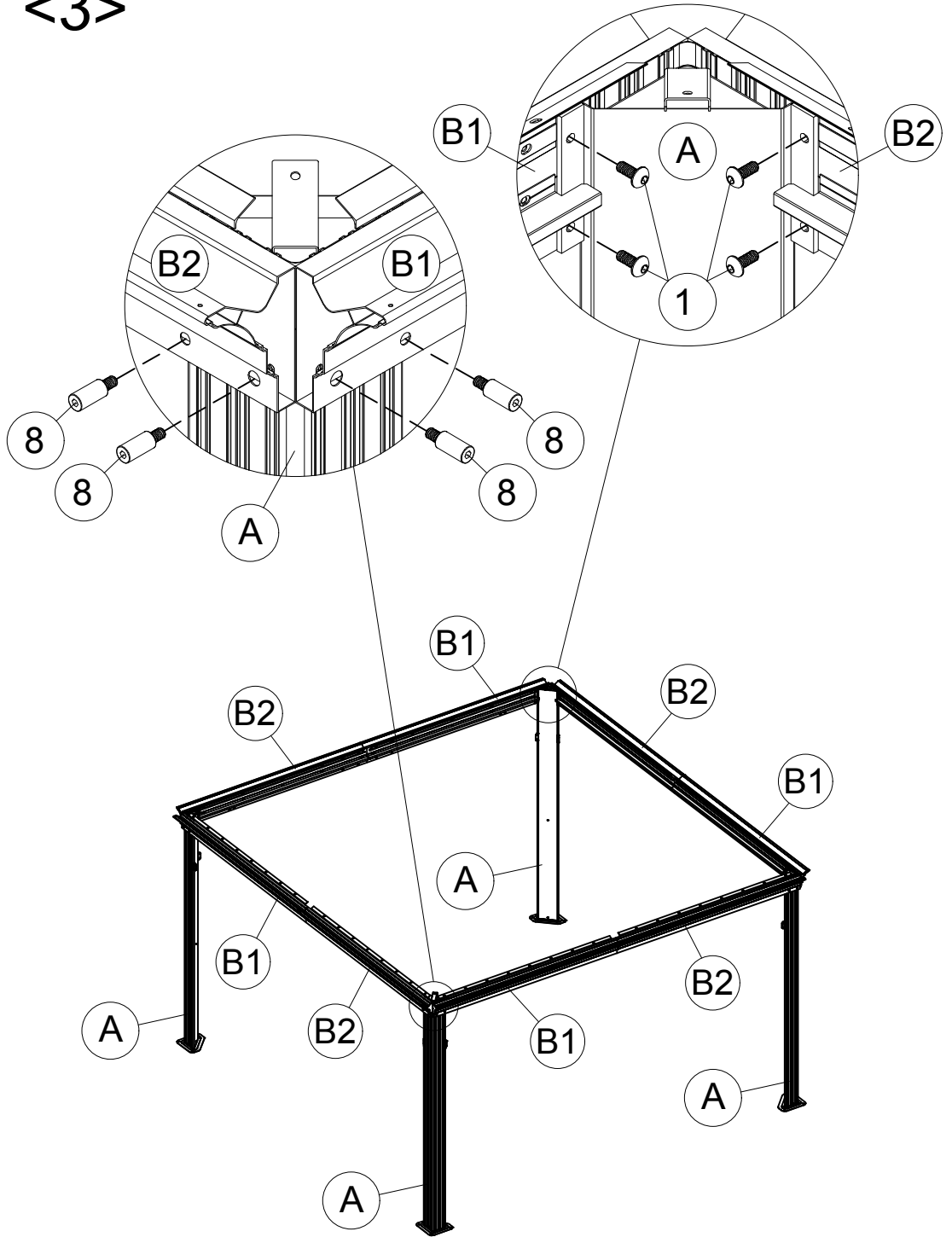
M6x15

1 16x

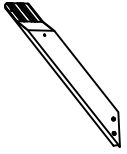


8 16x

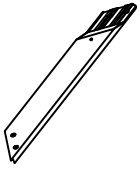
<3>



6



(H) 4x



(H1) 4x



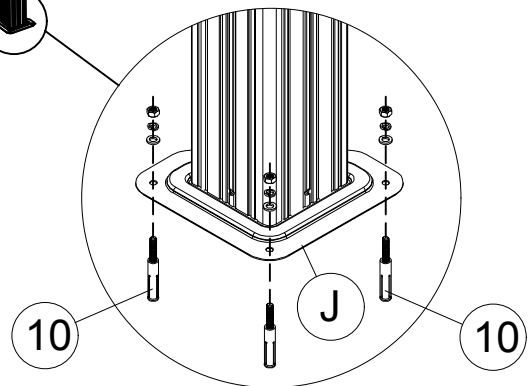
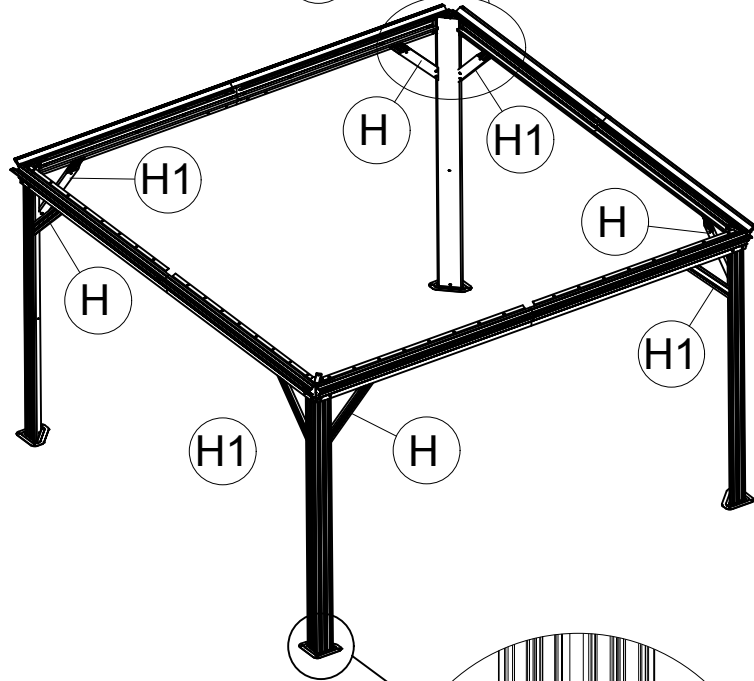
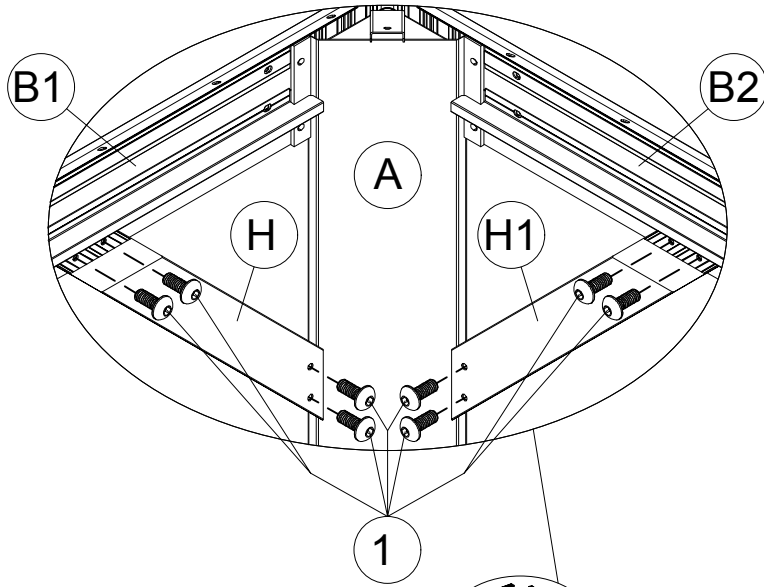
M6x15

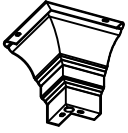
(1) 32x



(10) 12x

<4>





K 4x



K1 4x



U 112x



V 4x



M6x15

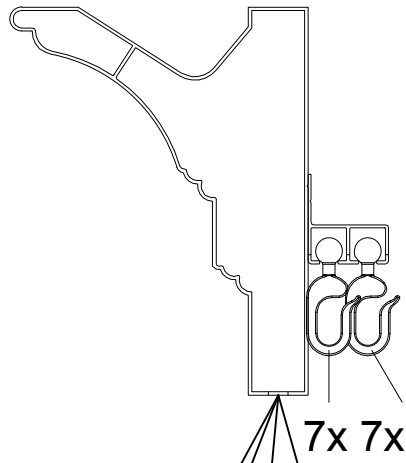
1 4x



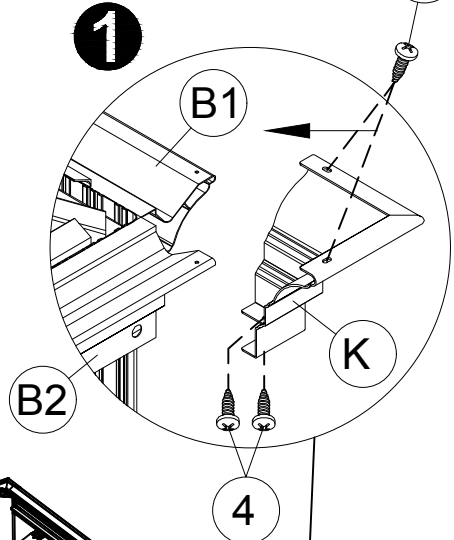
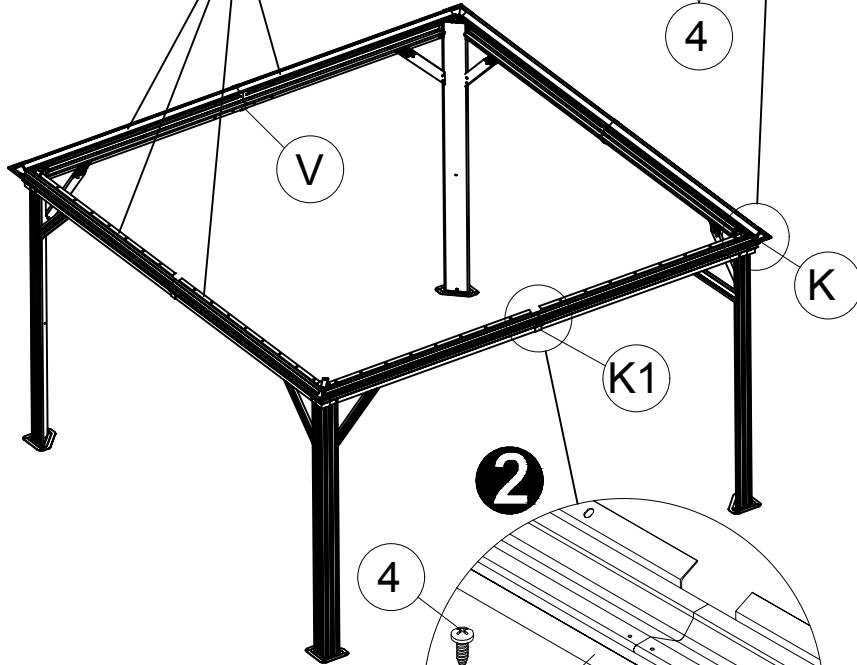
ST 4.8x12

4 24x

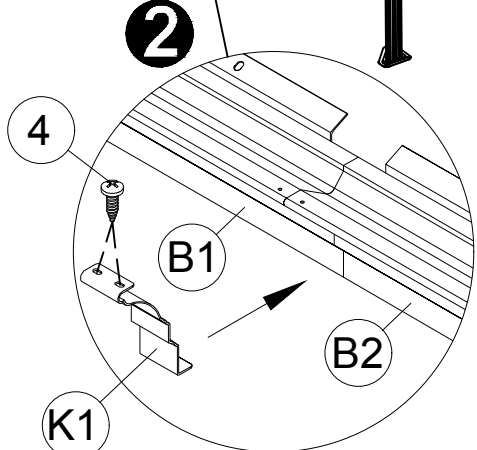
<5>



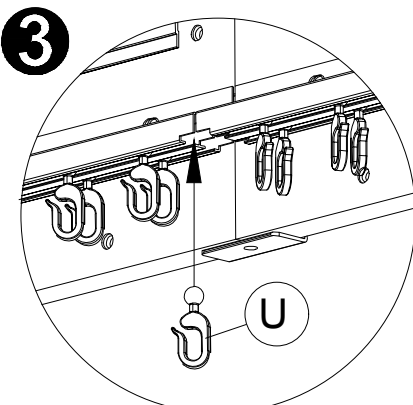
7x 7x



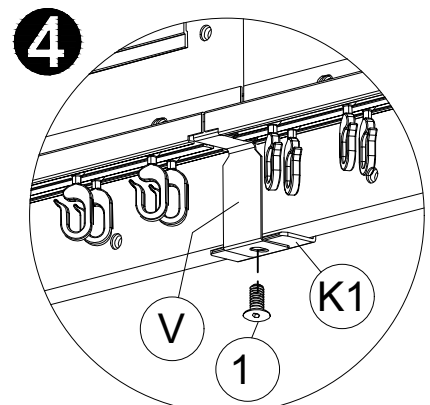
1



2



3



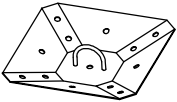
4



E 4x



E5 4x



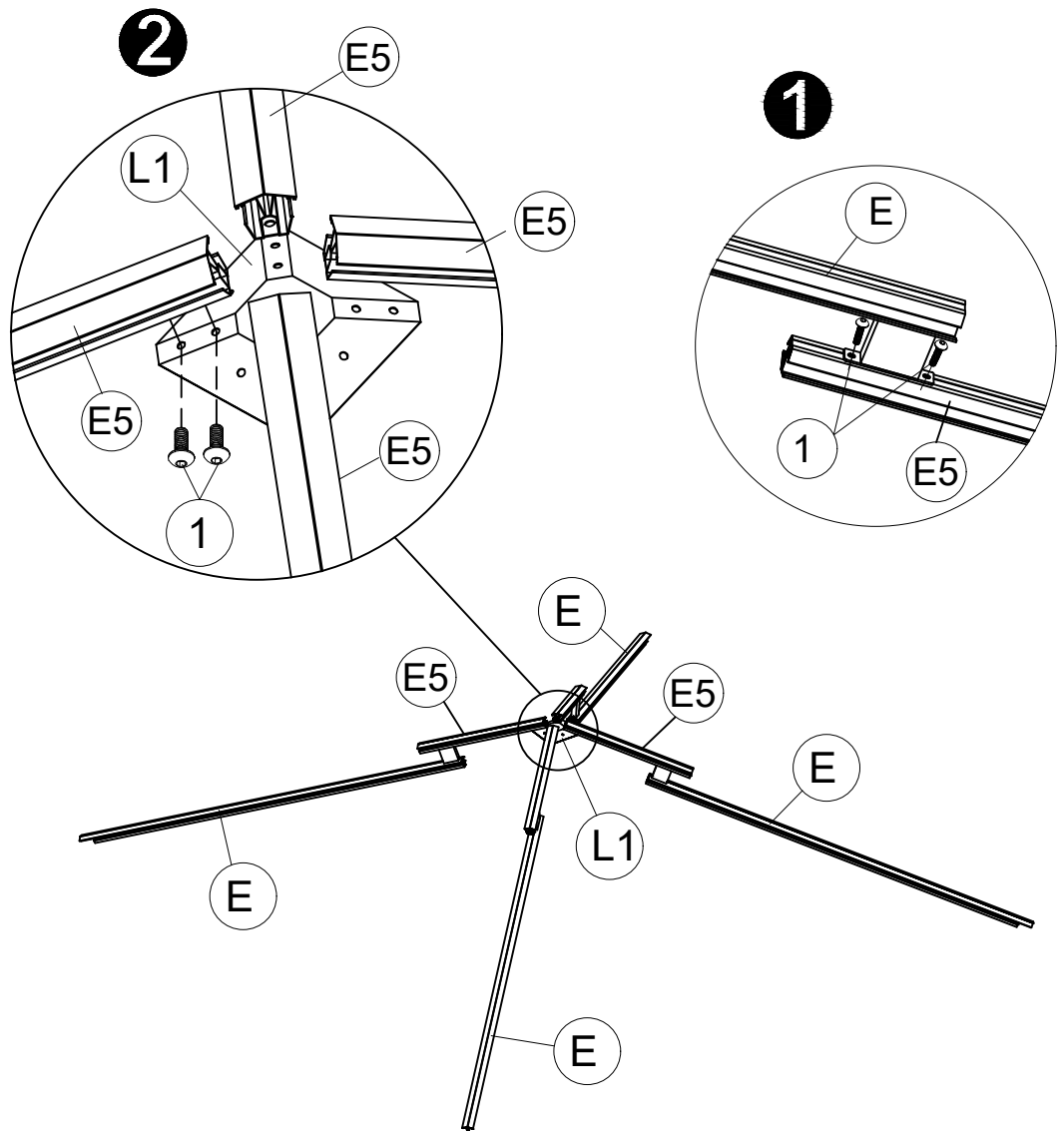
L1 1x



M6x15

1 16x

<6>

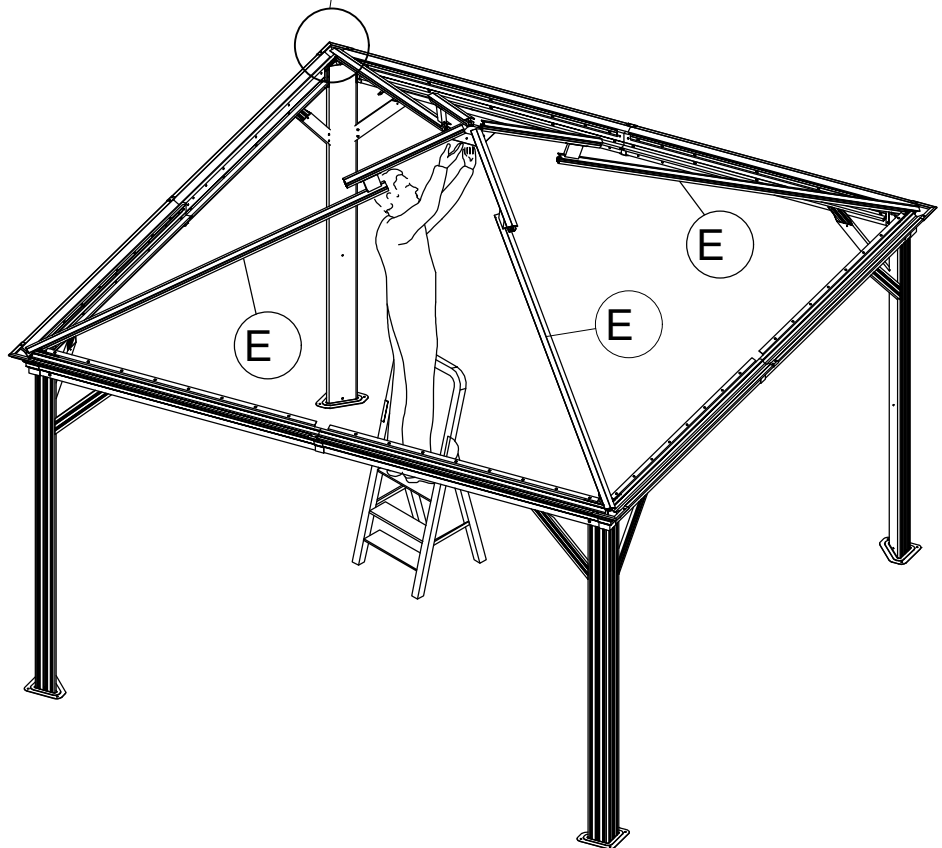
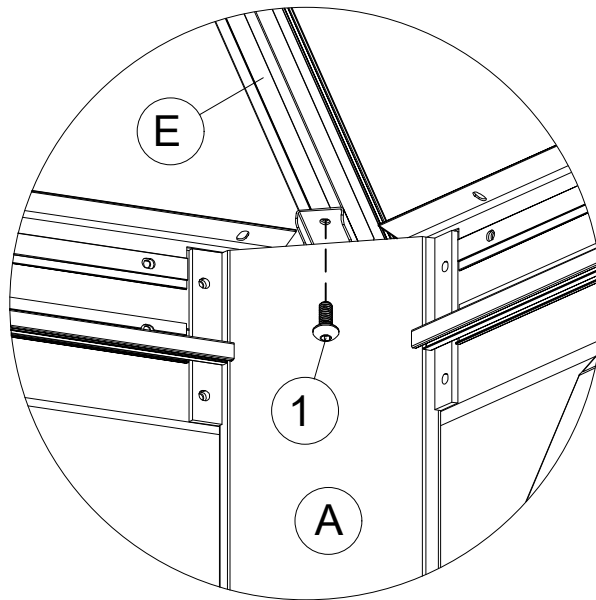




M6x15

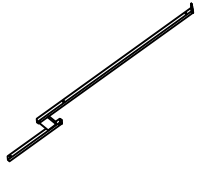
1 4x

<7>



Note:

1. Let one person stand on the ladder to lift "L1" and hold and let others fasten the screws connecting both ends of "E".
2. Please do not let go of holding "L1" until all the "E" screws are installed.



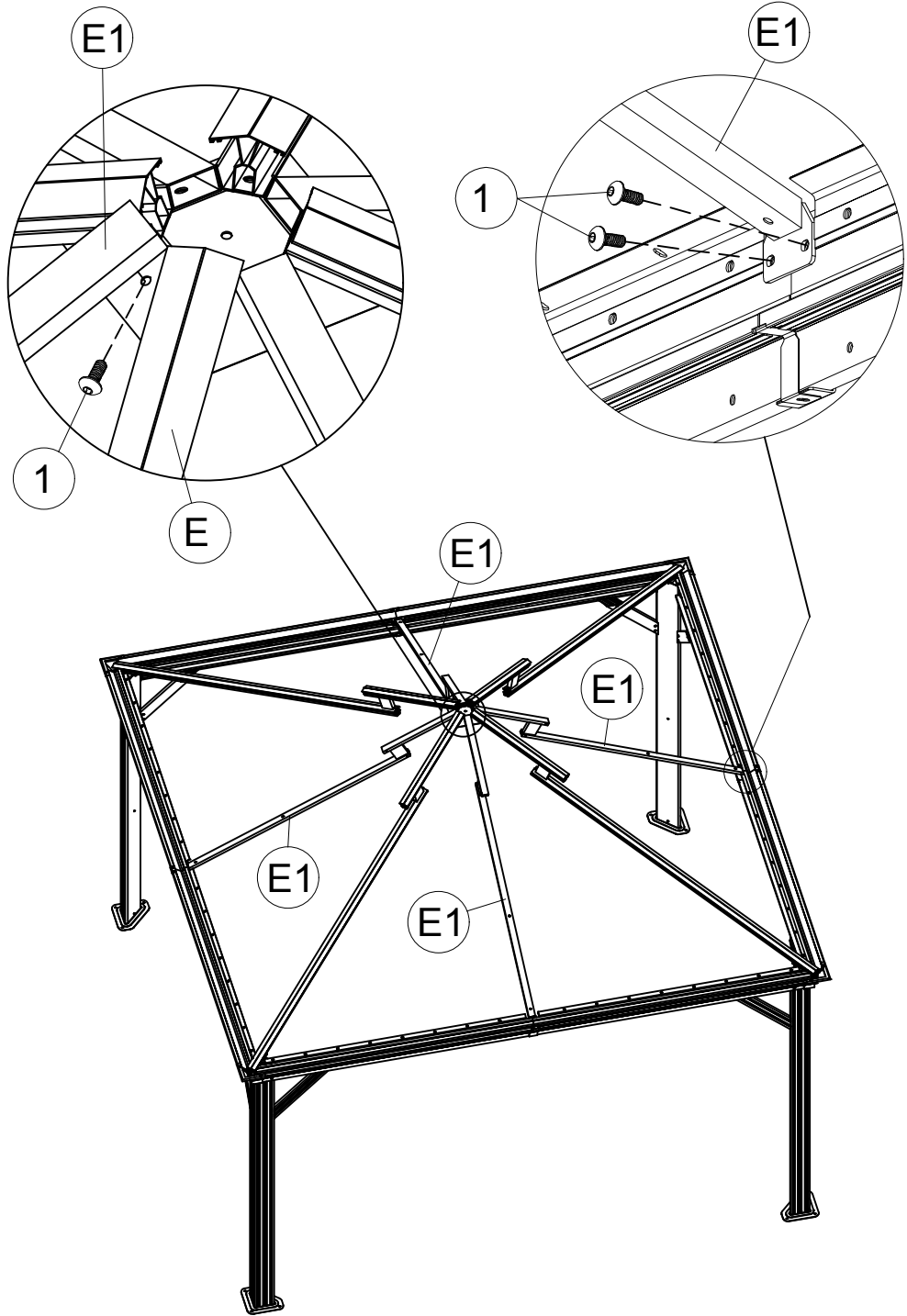
E1 4x

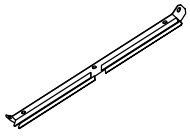


M6x15

1 12x

<8>





I1 4x



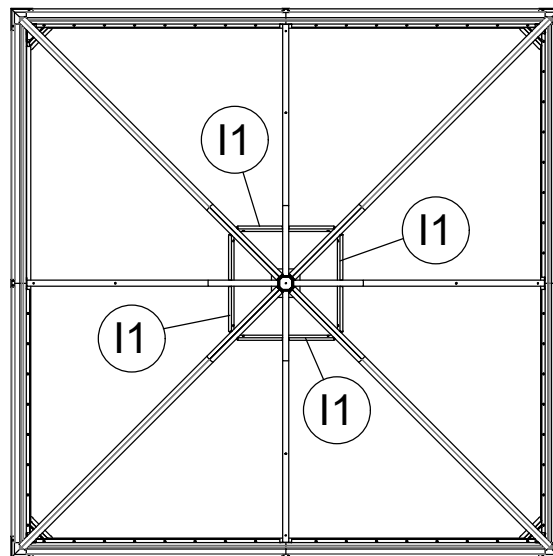
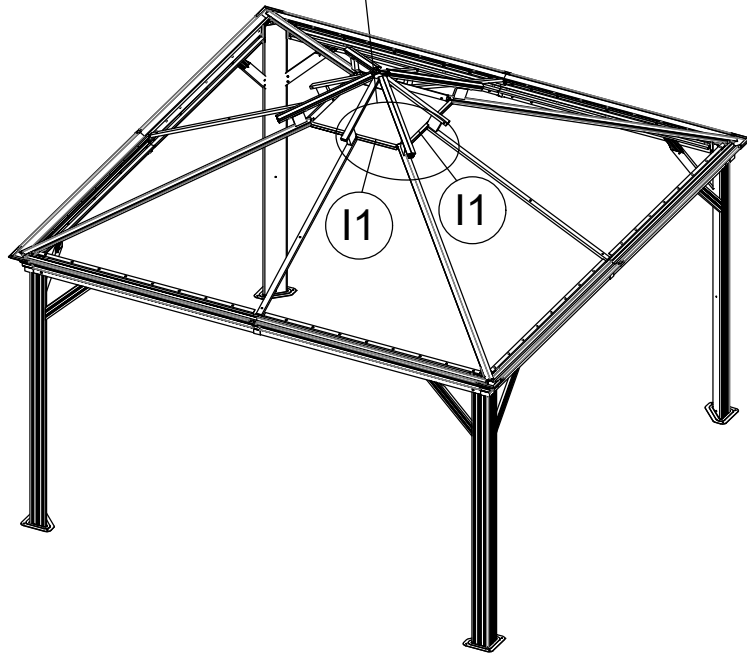
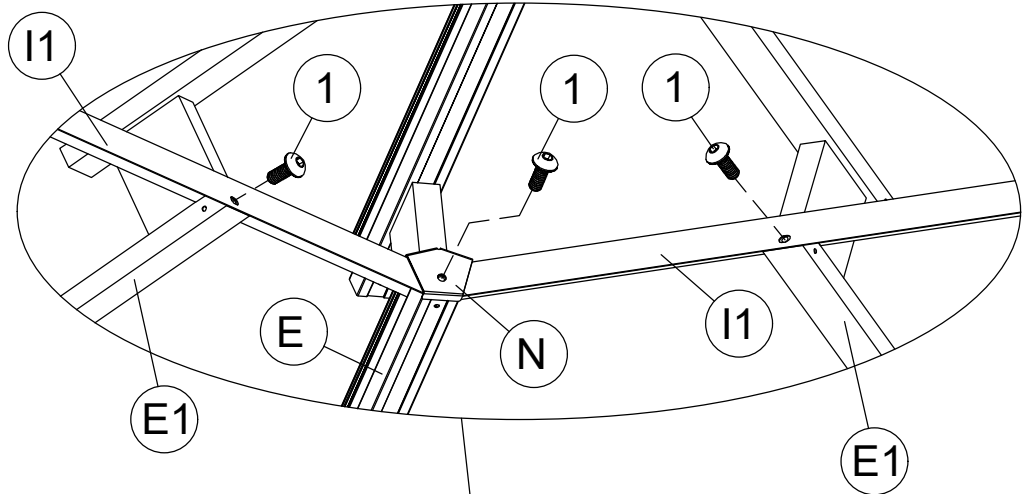
N 4x



M6x15

1 8x

<9>





G1 4x



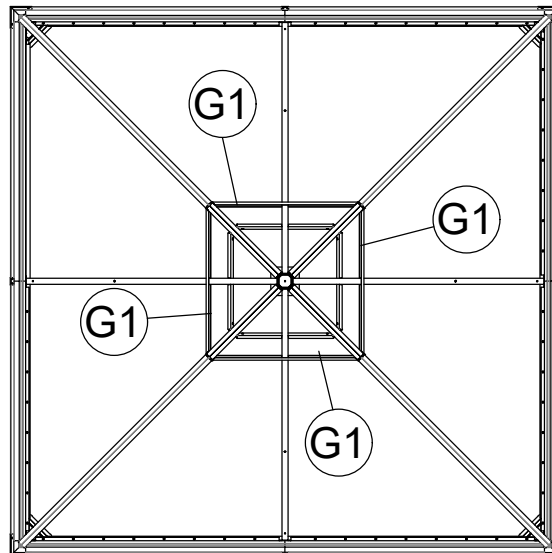
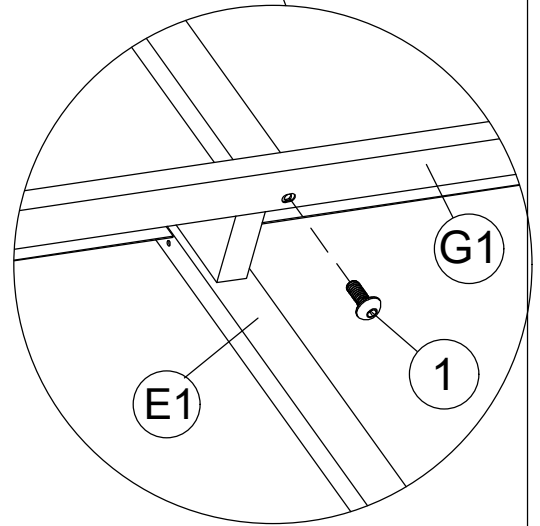
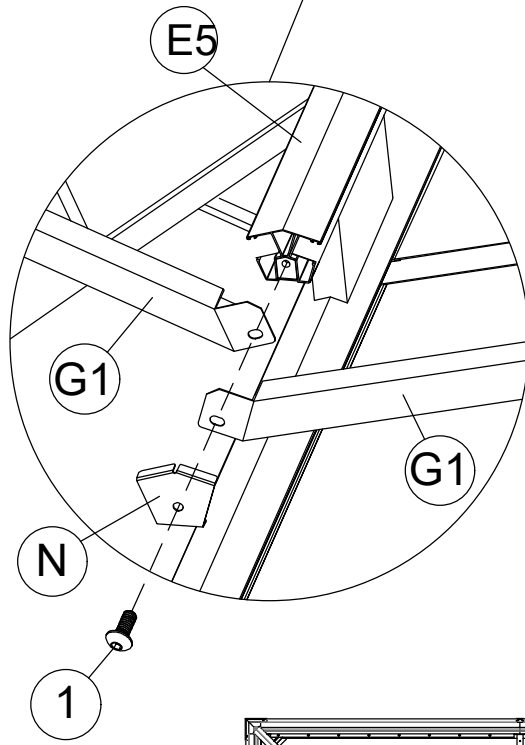
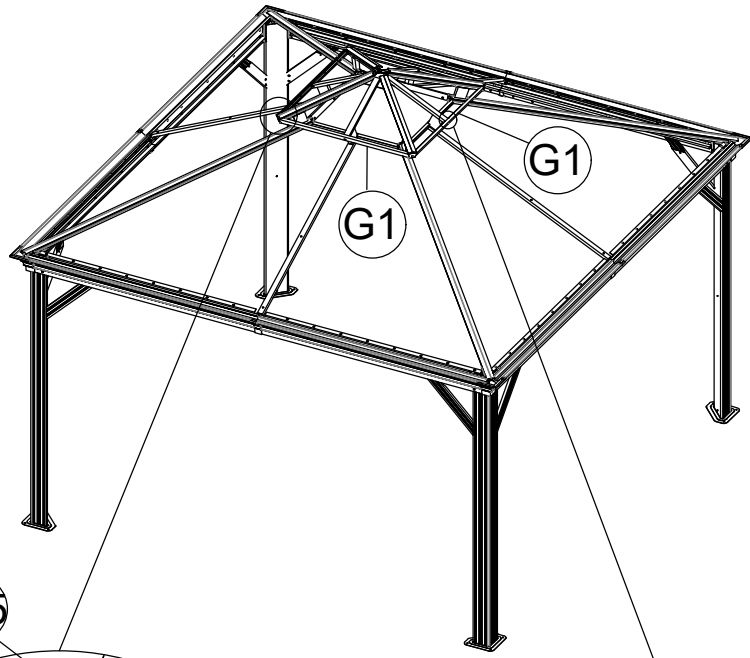
N 4x

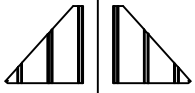


M6x15

1 8x

<10>

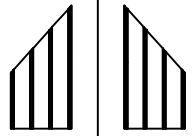




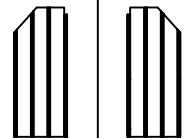
S1 4x S2 4x



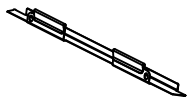
R1 4x R2 4x



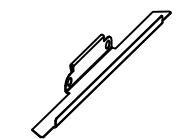
R3 4x R4 4x



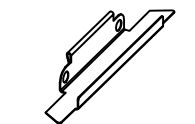
R5 4x R6 4x



Z 64x

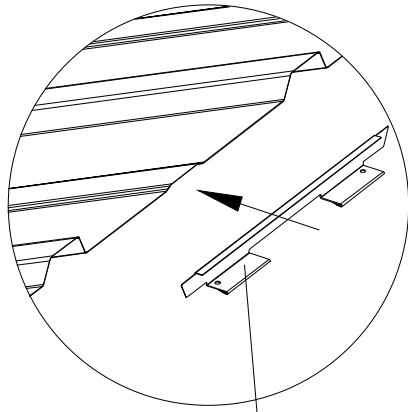


Z1 8x

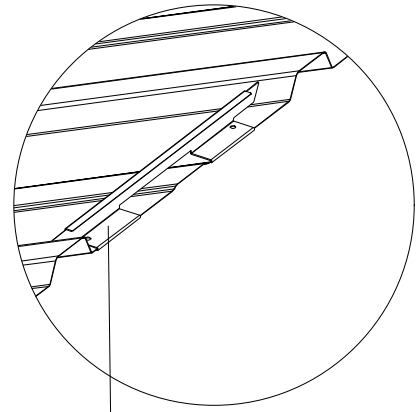
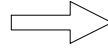


Z2 8x

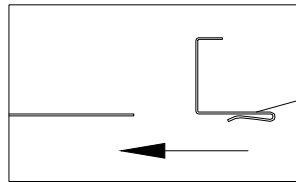
<11>



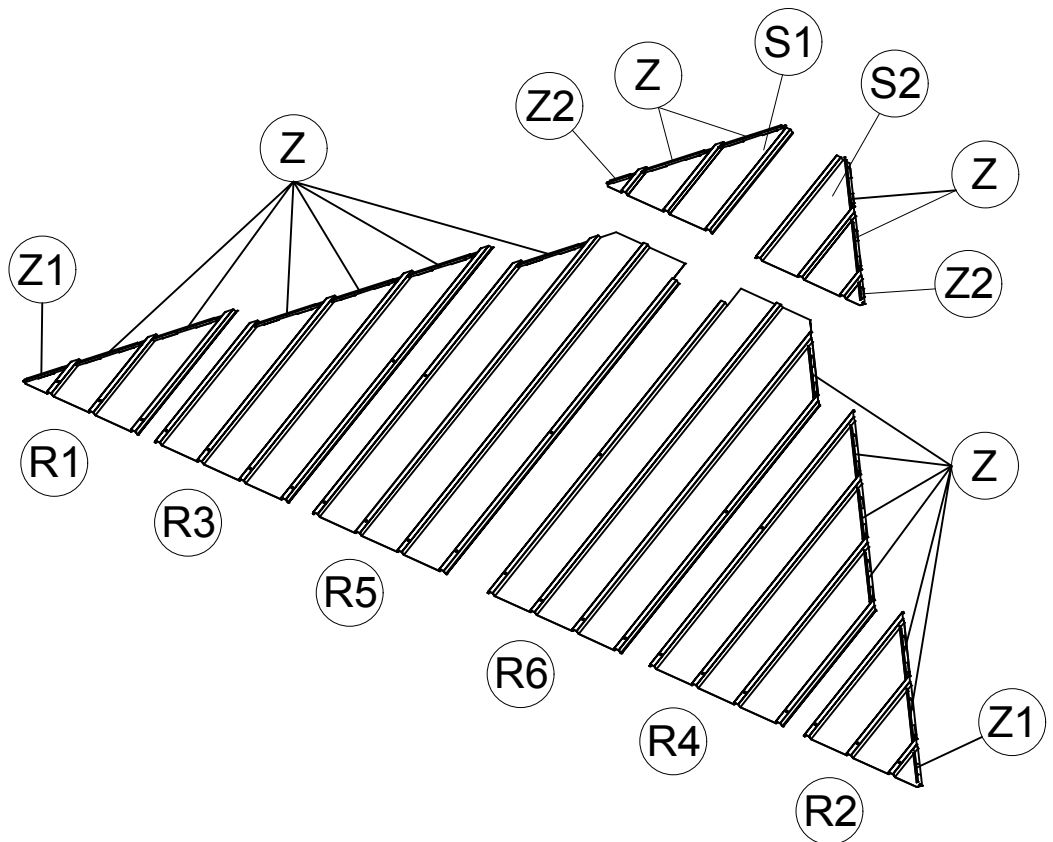
Z or Z1 or Z2



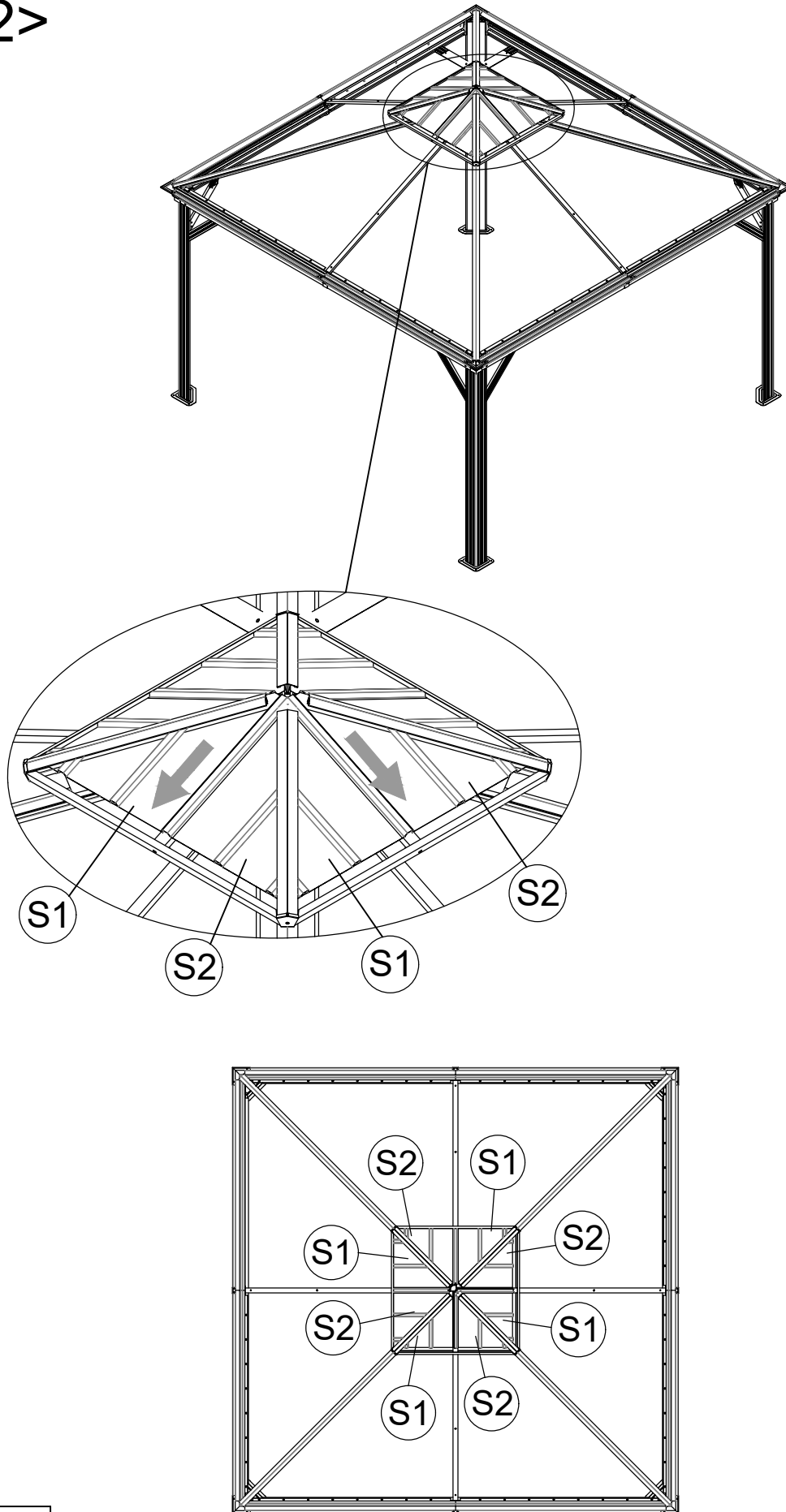
Z or Z1 or Z2

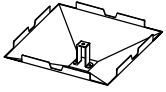


Z or Z1 or Z2



<12>





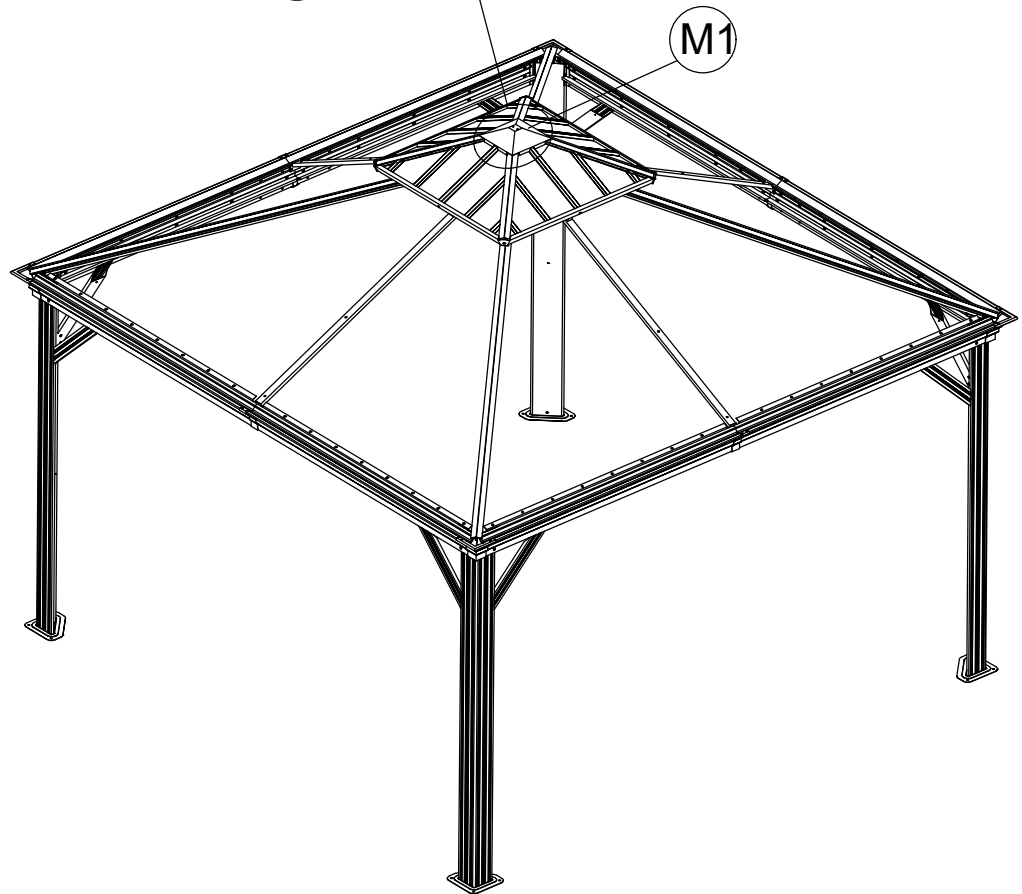
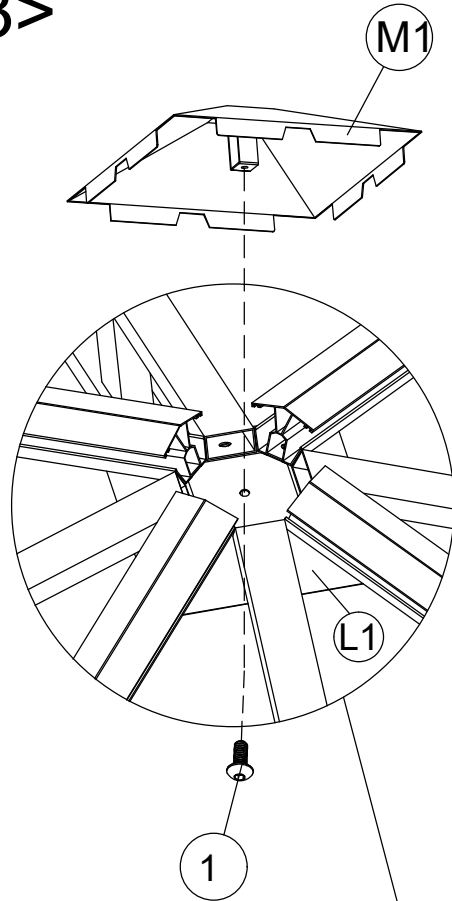
<13>

M1 1x

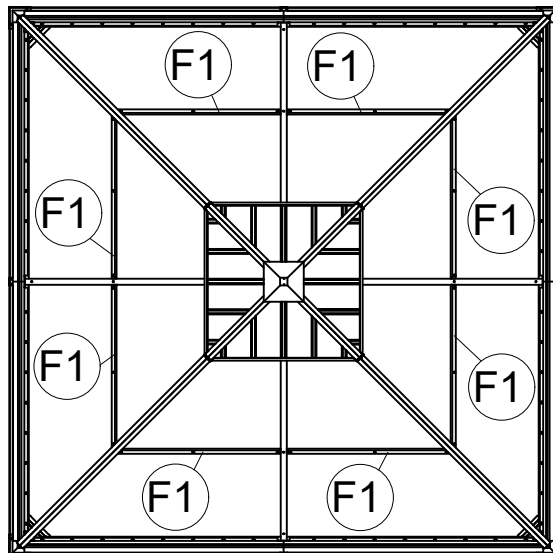
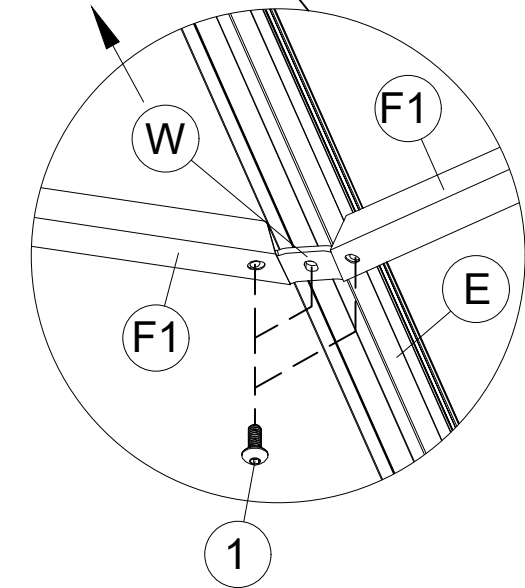
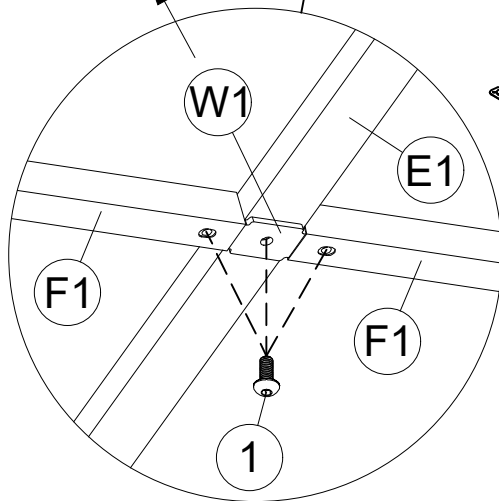
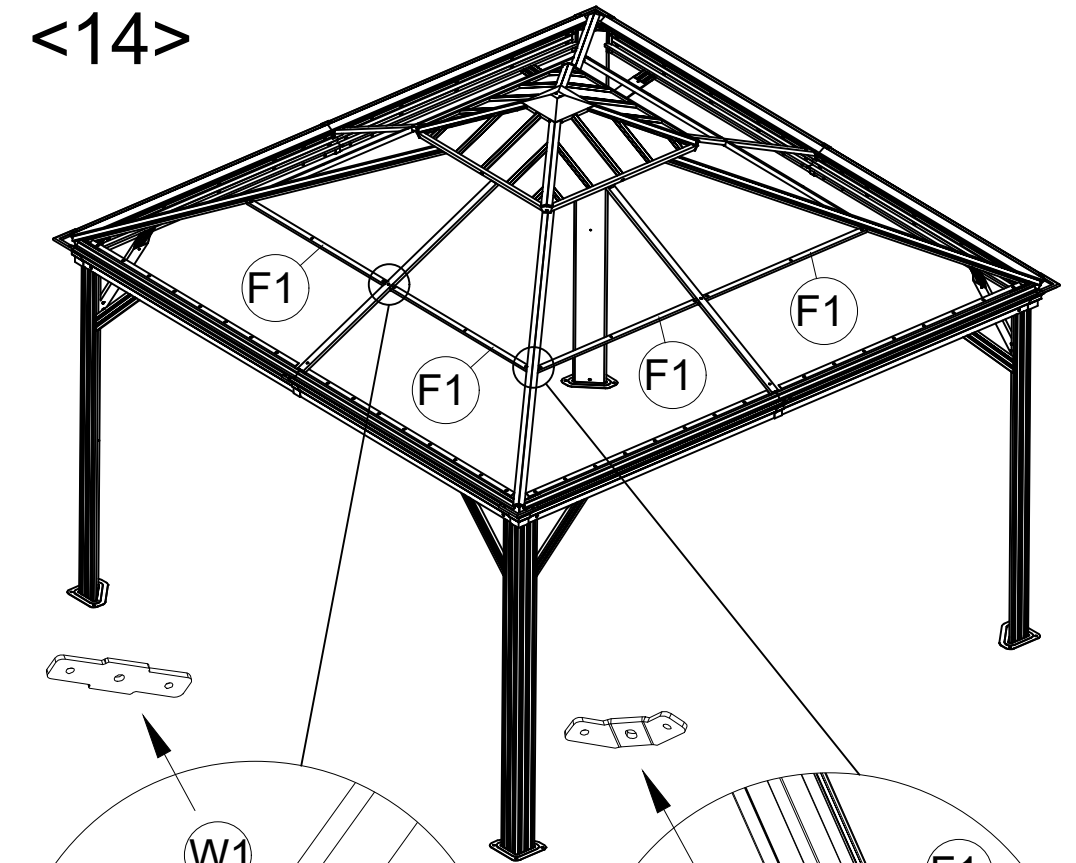


M6x15

1 1x



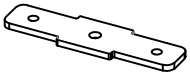
<14>



(F1) 8x



(W) 4x



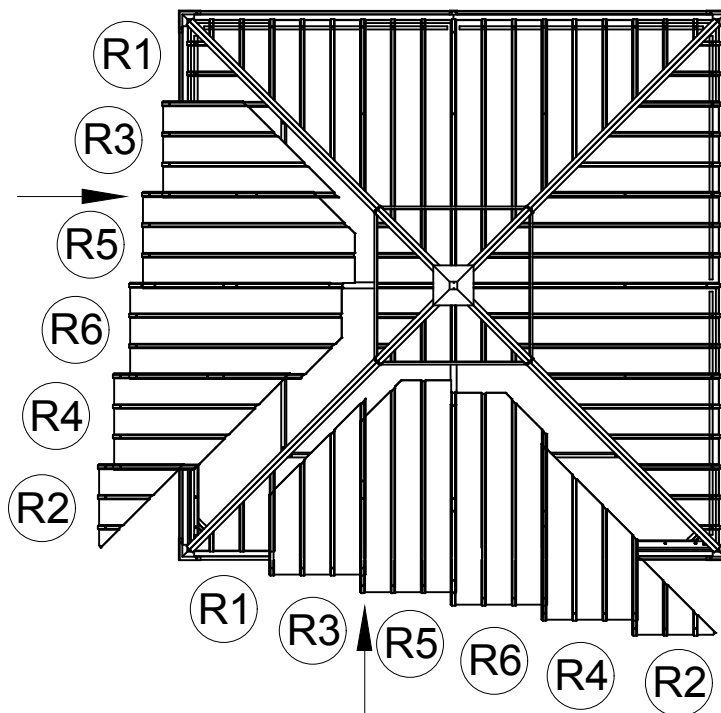
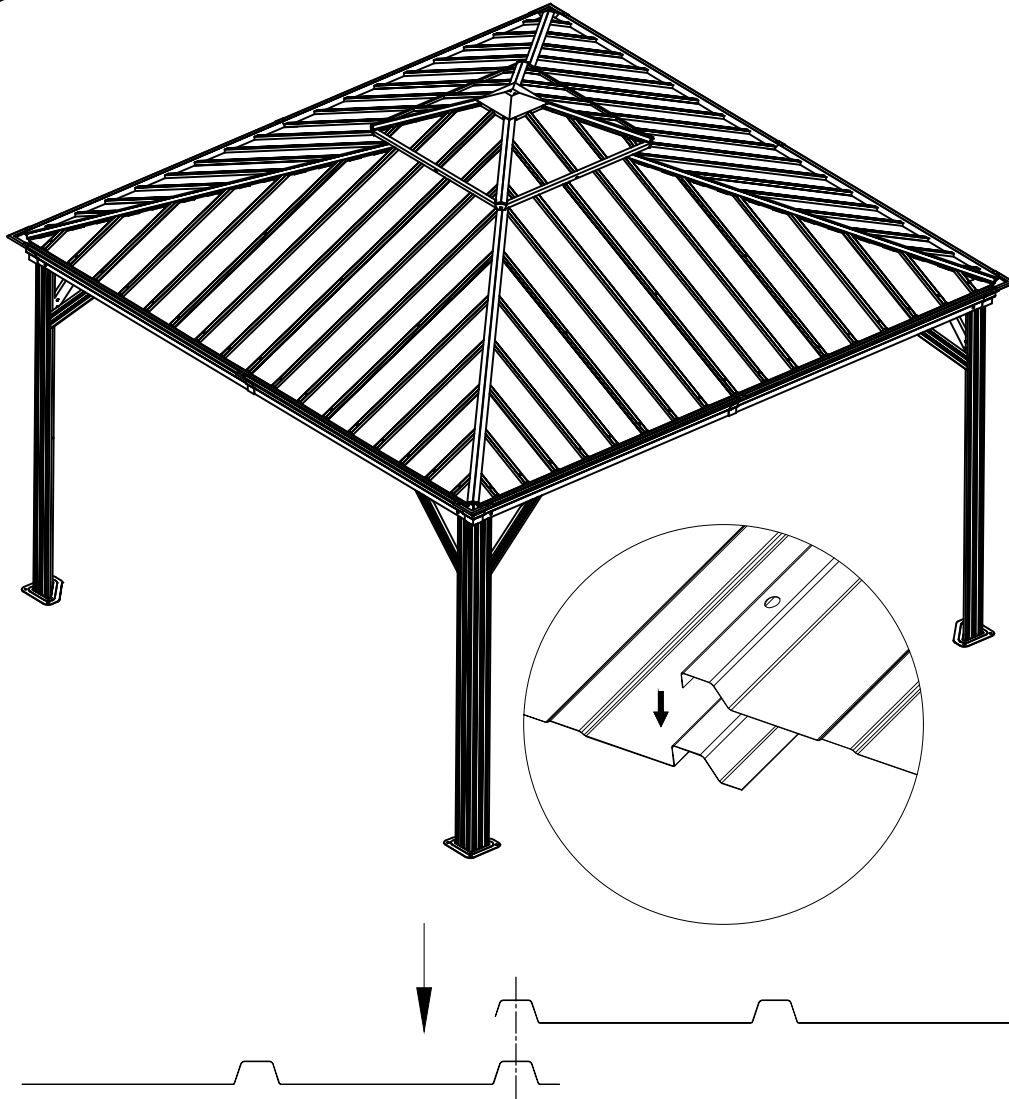
(W1) 4x



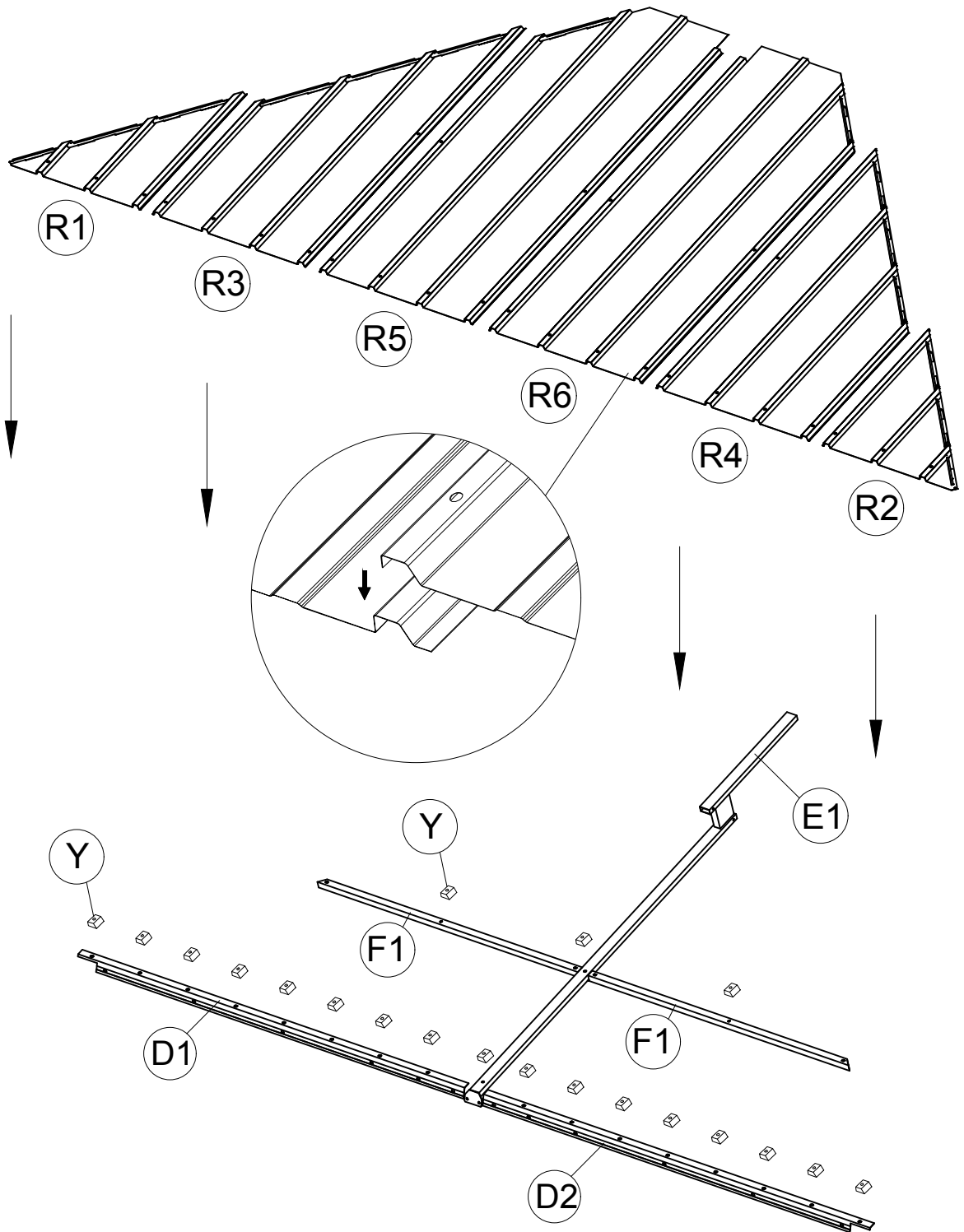
M6x15

(1) 24x

<15>



<16>





<17>

Y 80x

64x

M6x23

2 64x



M6x25

3 4x



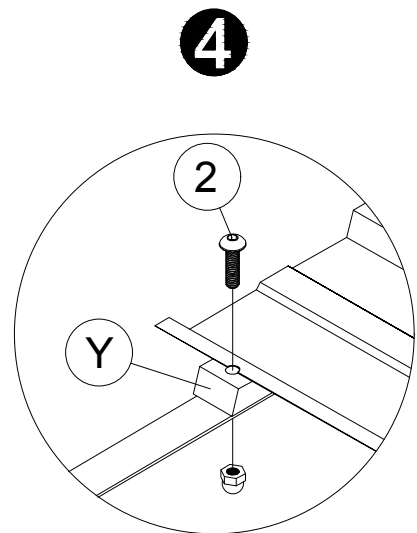
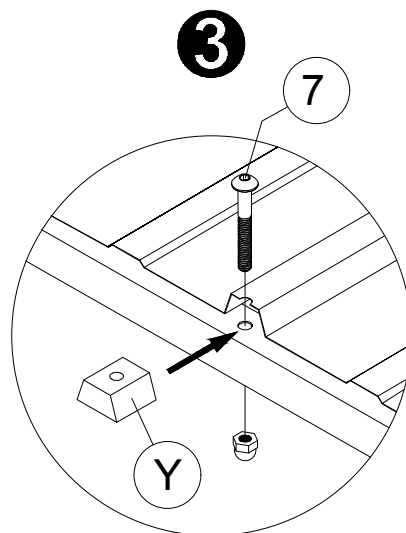
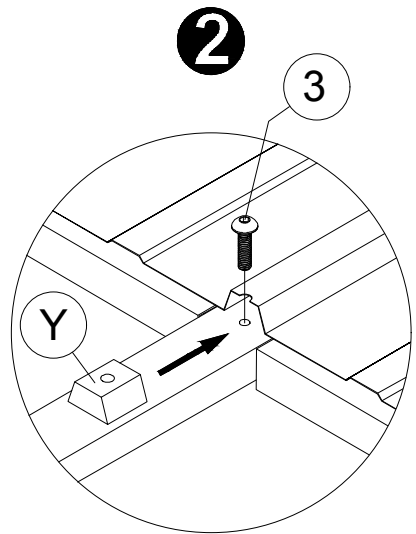
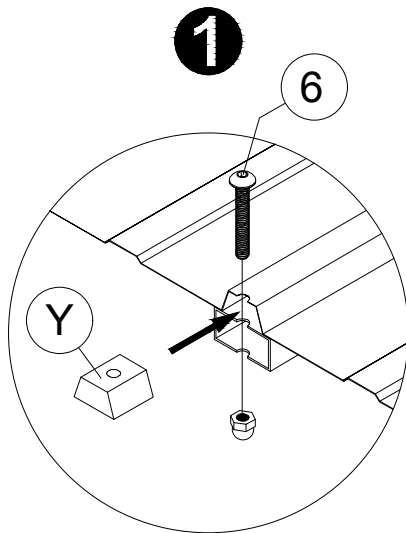
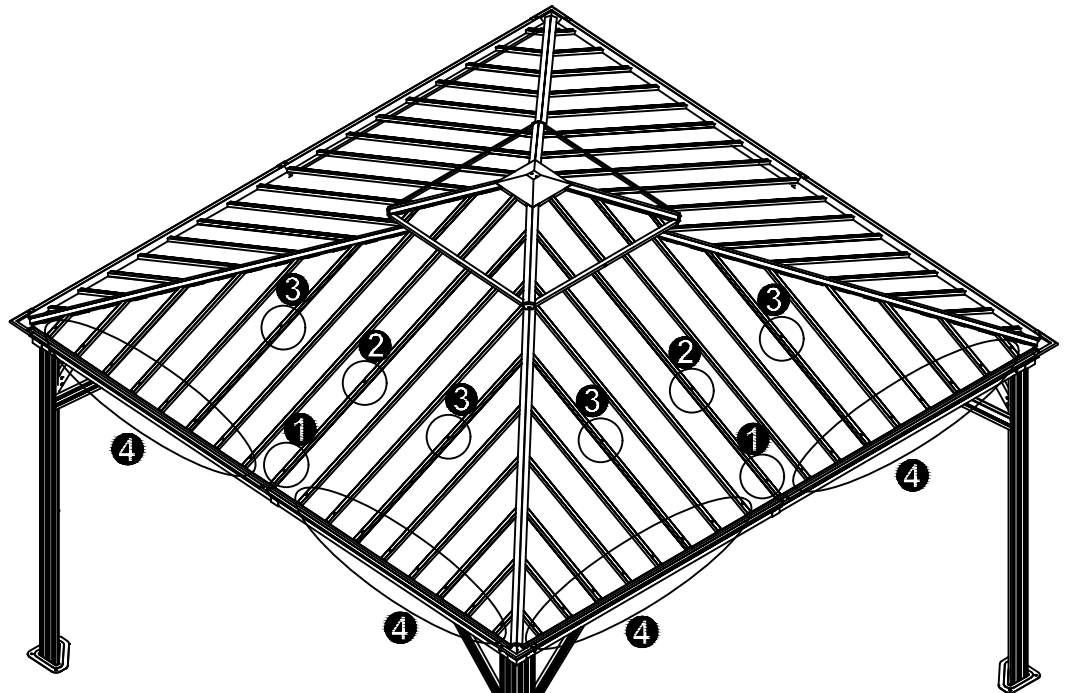
M6x42

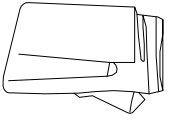
6 4x



M6x47

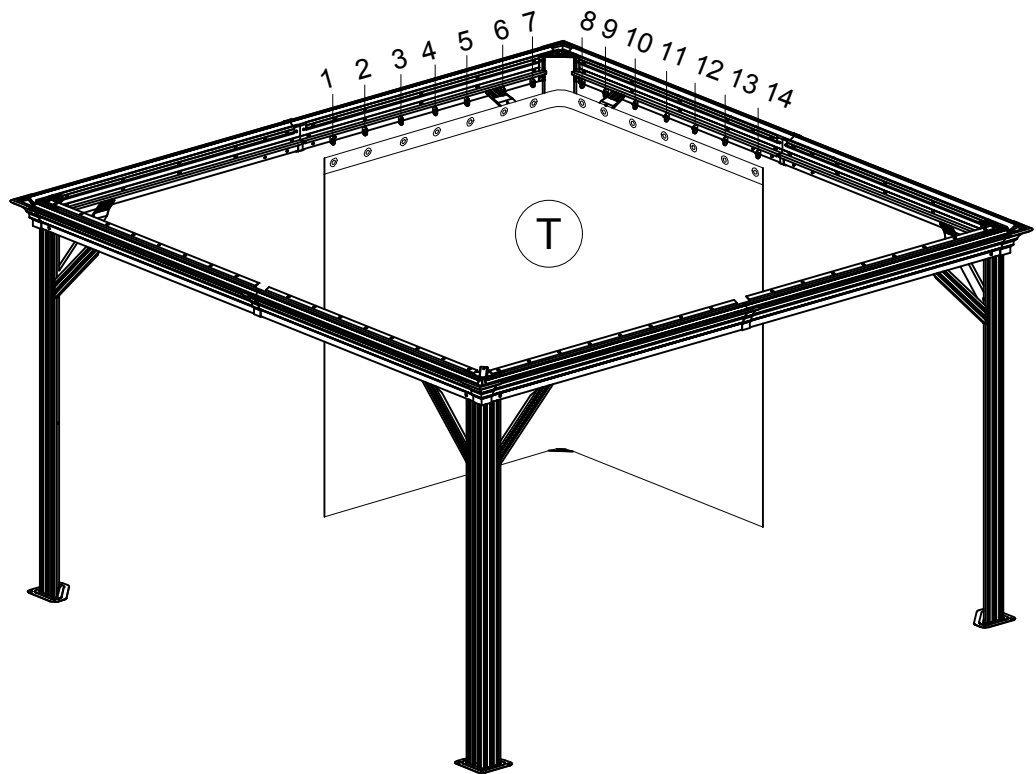
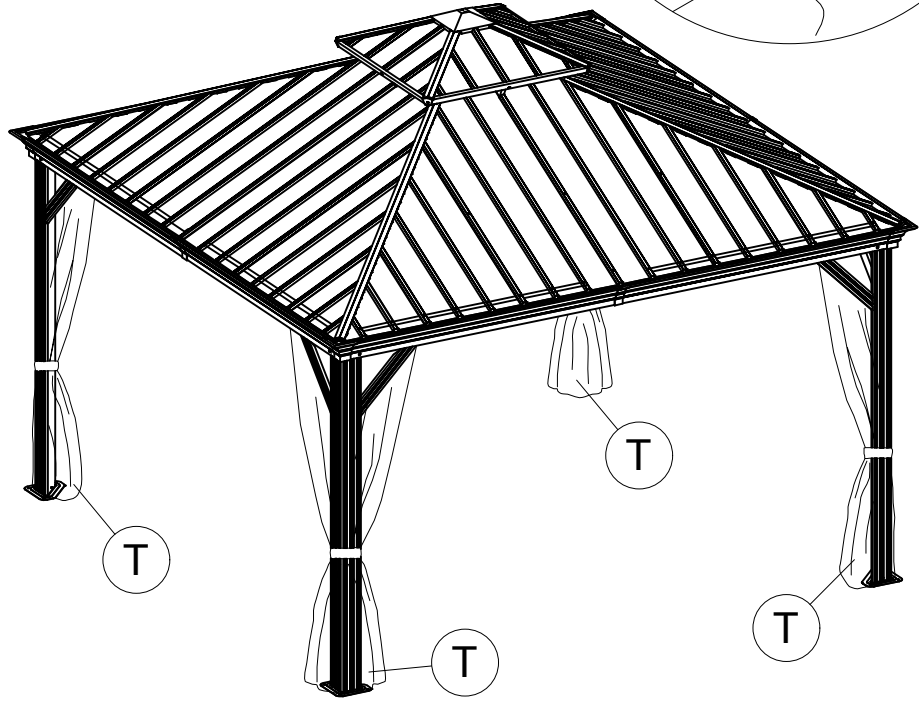
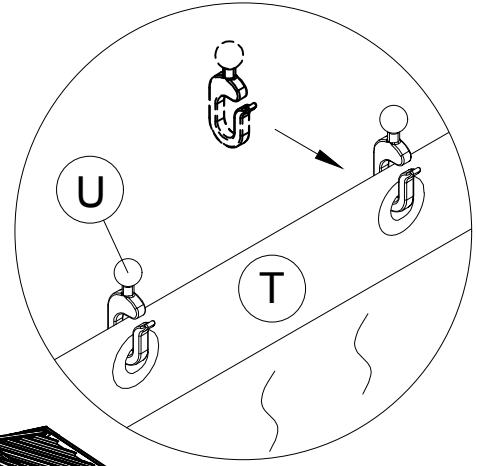
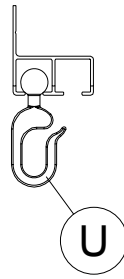
7 8x

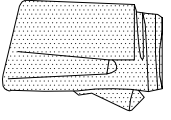




<18>

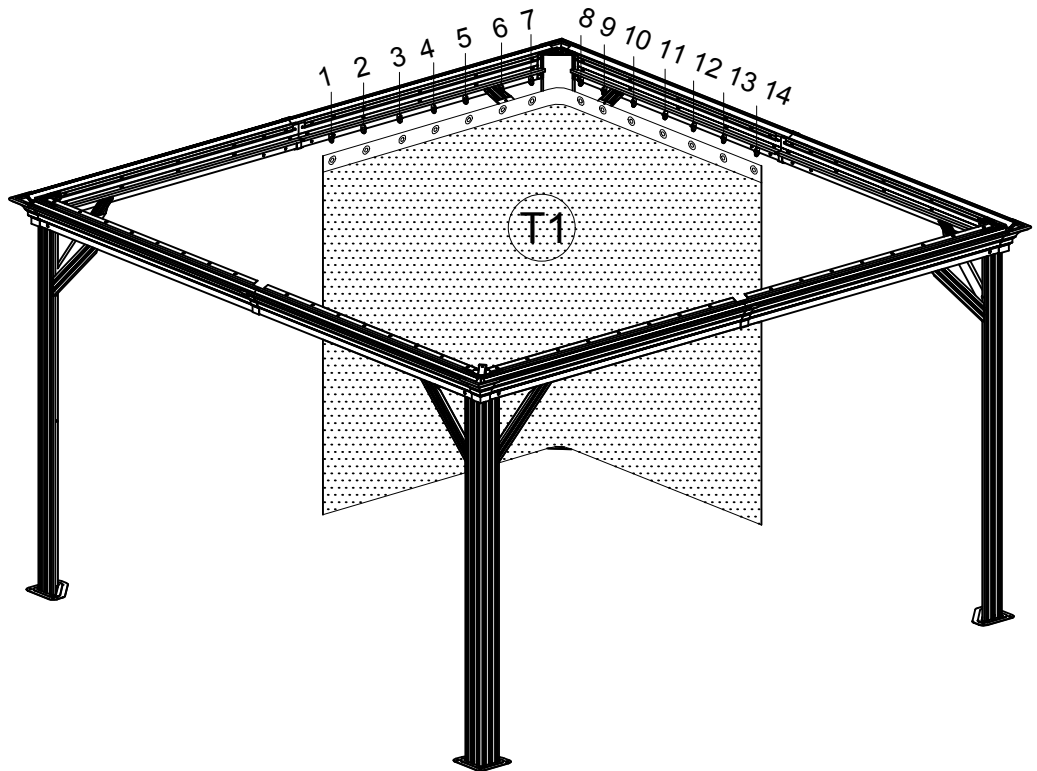
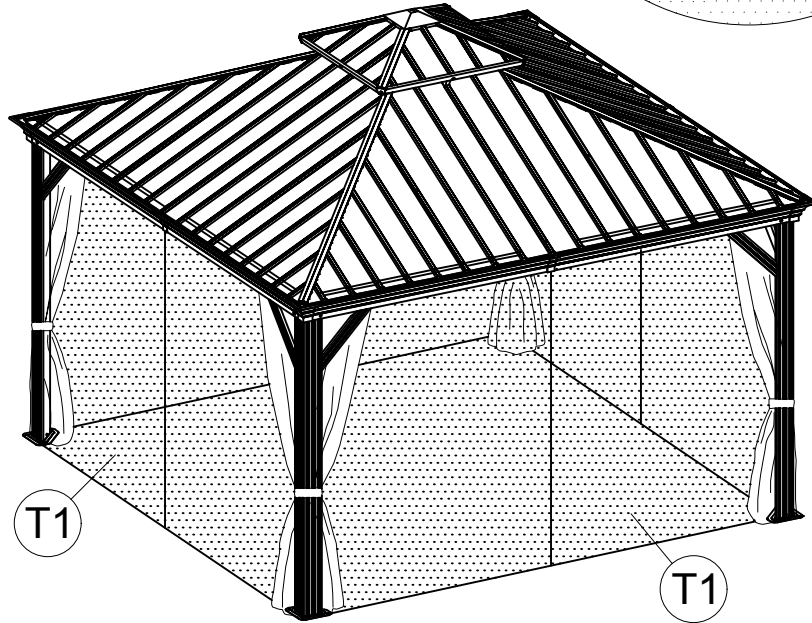
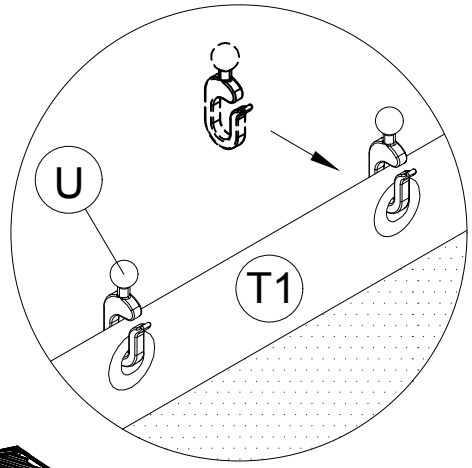
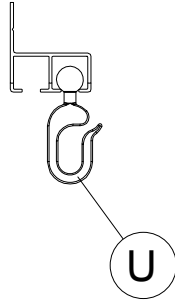
T 4x

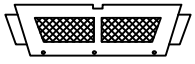




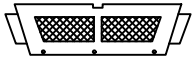
<19>

T1 4x





V1a 2x



V1b 2x



M6x10

9 8x

<20>

