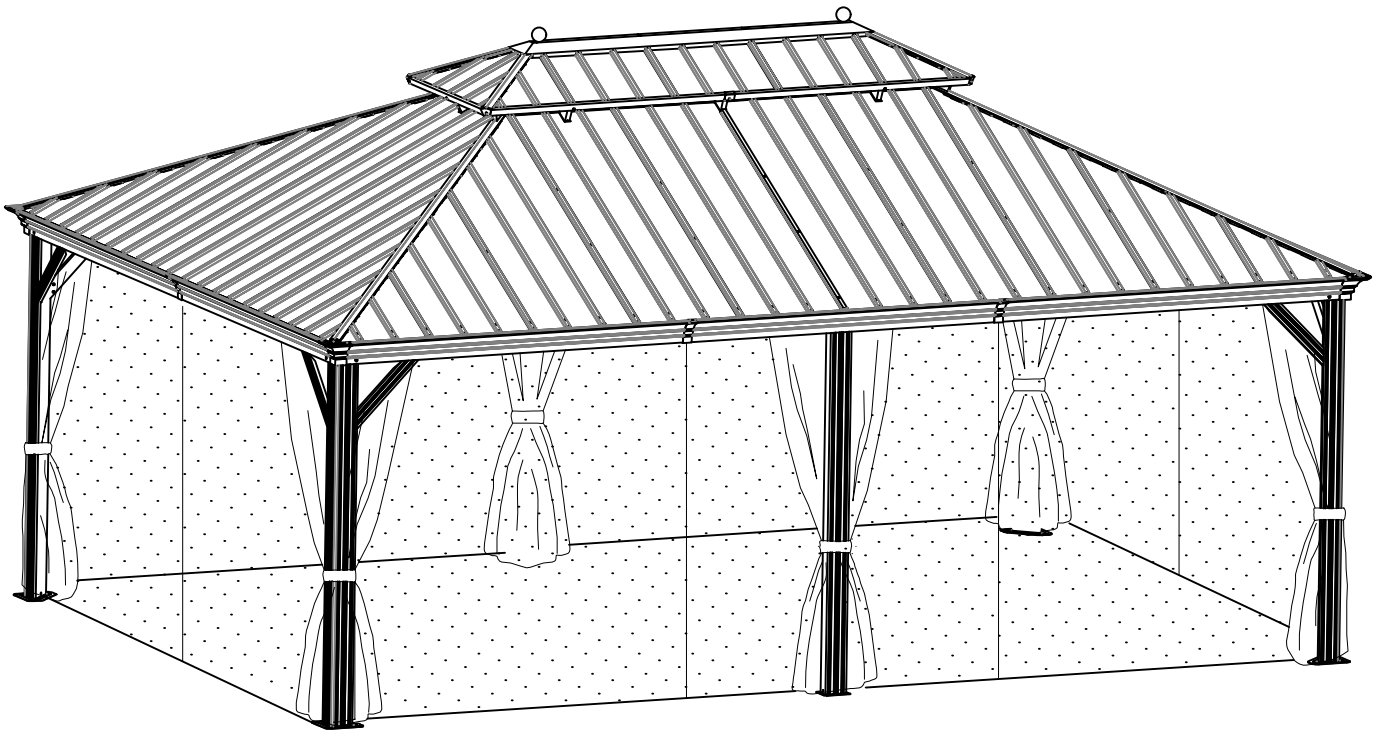


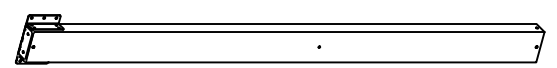
# 14 x 20FT

□ □ □ □ □ □ □ XWG - 250TN □ □ □ □ □ □ □ □





A 4x



A1 2x



B11 4x



B12 4x



B8 2x



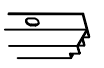
E4 4x



E5 4x



C3 4x



C4 4x



C11 2x



C12 2x



D11 2x



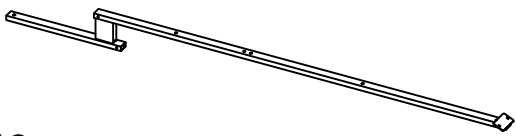
D12 2x



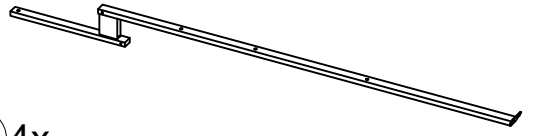
D13 4x



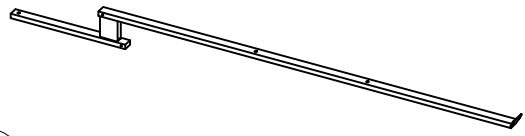
D14 4x



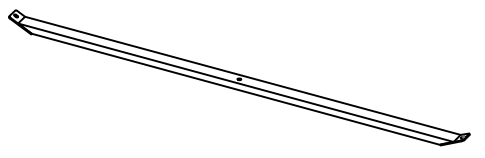
E6 2x



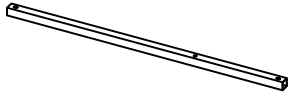
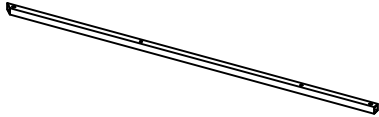
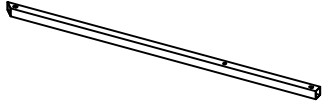
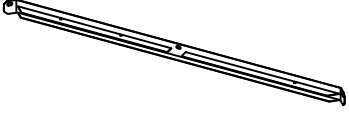
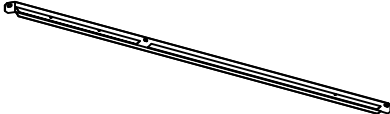

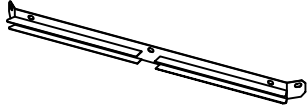


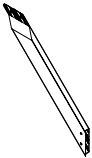

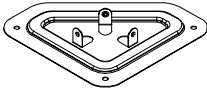
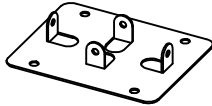

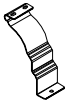
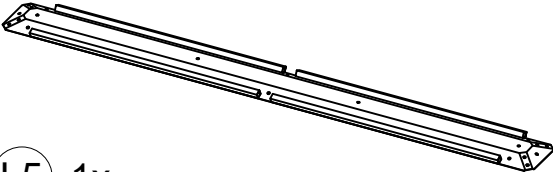
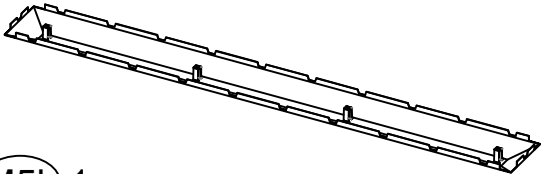

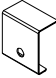
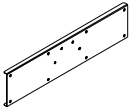
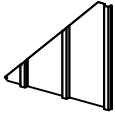
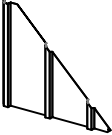
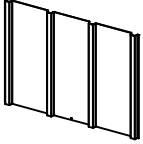
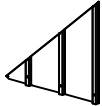
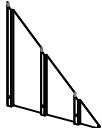
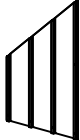

E7 4x






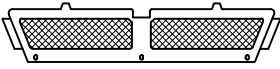


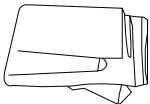
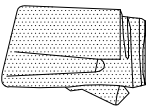

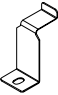
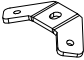
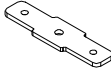
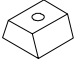

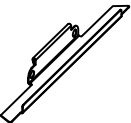
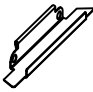
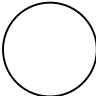











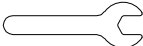



E8 2x



F8 3x

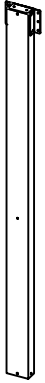
	 F4 8x	 F6 8x	 F7 8x
	 G1 2x	 G7 2x	 G8 2x
	 I1 2x	 I7 2x	 I8 2x
	 H 4x	 H1 4x	 J 4x
			 J1 2x
	 K 4x	 K1 6x	 L5 1x
	 M5b 1x	 N 8x	 N1 2x
	 P 6x	 S1 4x	 S2 4x
			 S3 6x
	 R1 4x	 R2 4x	 R3 4x
			 R4 4x

	 P5 4x	 P6 4x	 P7 2x	 P8 2x
	 P9 6x	 V1 2x	 V5a 2x	 V5b 2x
	 T 4x + 2x	 T1 4x + 2x	 U 160x	
	 V 6x	 W 8x	 W1 16x	 Y 134x
	 Z 72x	 Z1 16x	 Z2 8x	 Za 2x
	 1 394x M6x15	 2 96x M6x23	 3 2x M6x25	 4 28x ST 4.8x12
	 5 3x	 6 4x M6x42	 7 32x M6x47	 8 16x
	 9 12x M6x10	 10 20x	 12 2x 4mm	 14 1x
		 13 1x 6mm		

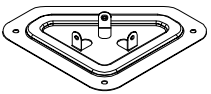
<1>



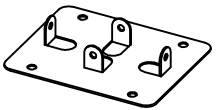
A 4x



A1 2x



J 4x

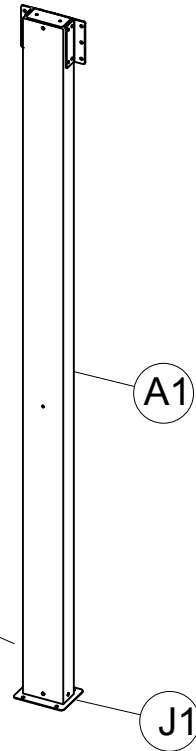
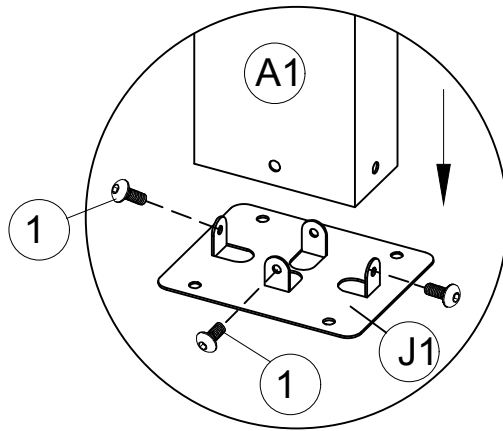
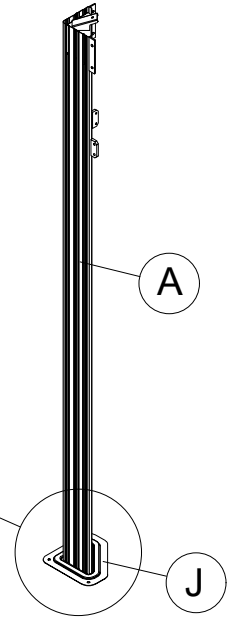
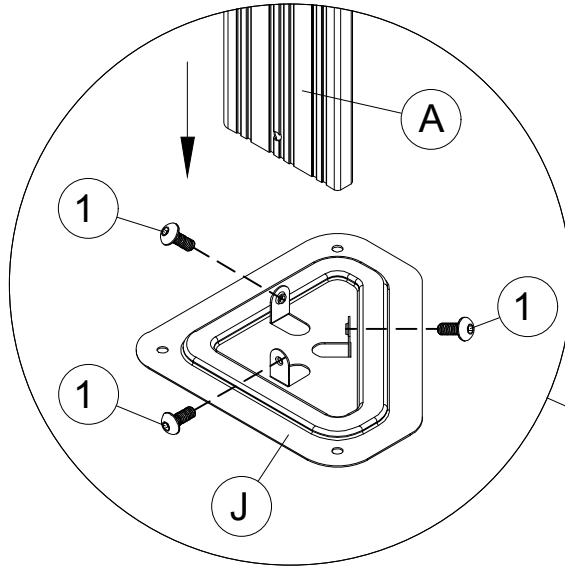


J1 2x

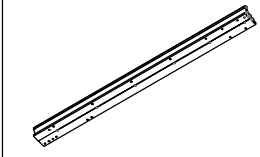


1 20x M6x15

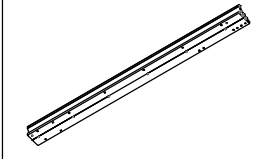
5



<2>



B11 2x



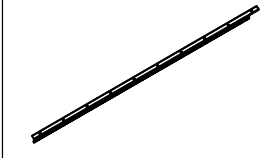
B12 2x



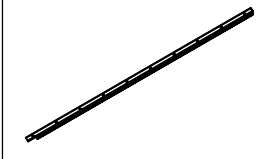
C3 2x



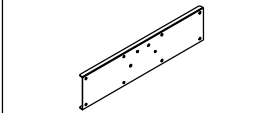
C4 2x



D13 2x



D14 2x

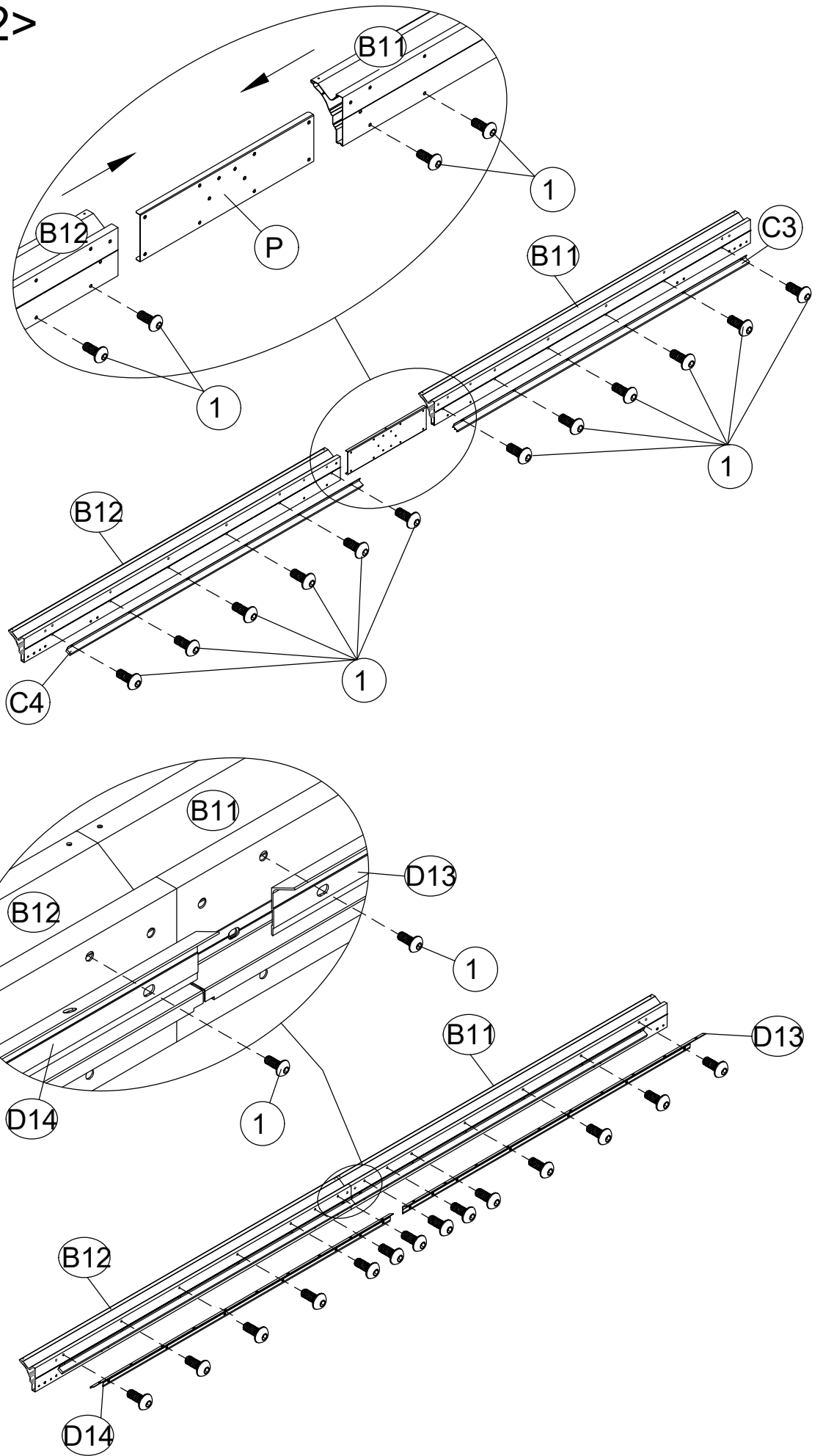


P 2x

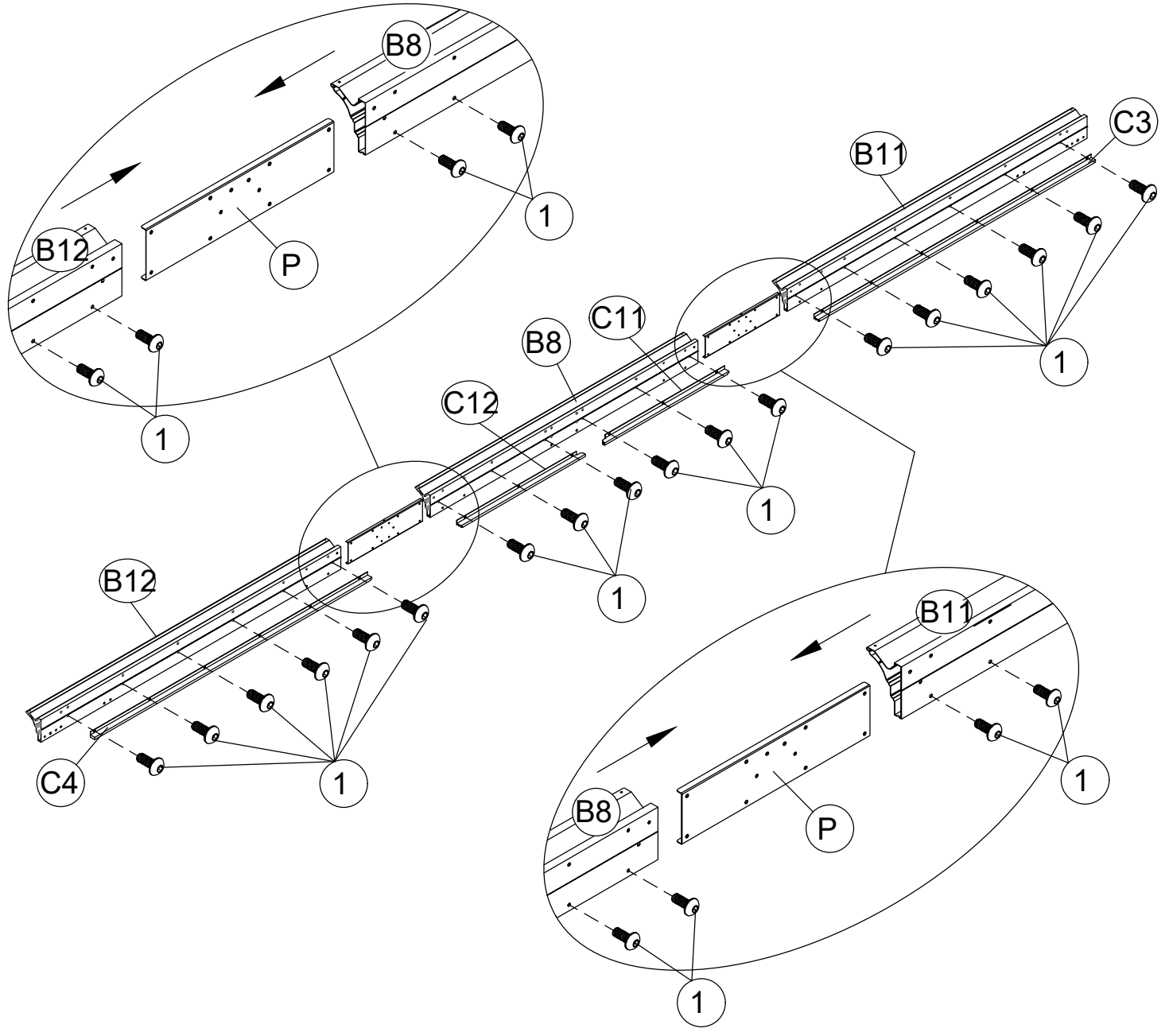


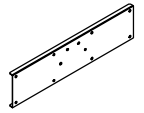

1 60x M6x15

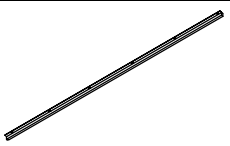
6

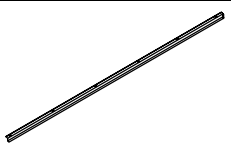



<3>






<b>P</b> 4x

<b>1</b> 52x M6x15
<b>7</b>



<b>C3</b> 2x

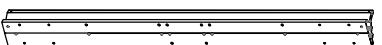

<b>C4</b> 2x


<b>C11</b> 2x

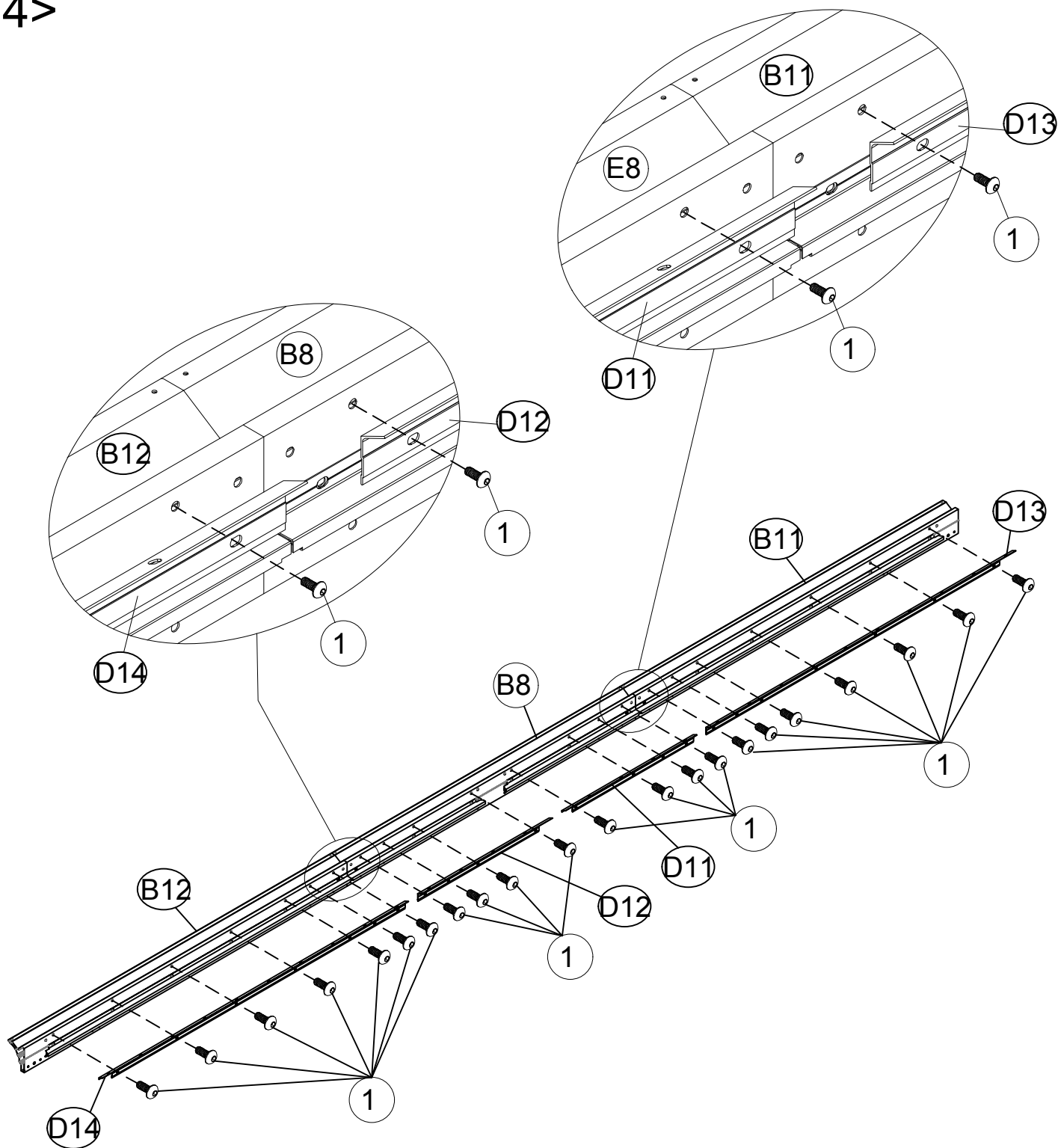

<b>C12</b> 2x







<b>B11</b> 2x


<b>B12</b> 2x


<b>B8</b> 2x

<4>



 1 44 M6x15	 D11 2x	 D12 2x
8	 D13 2x	 D14 2x



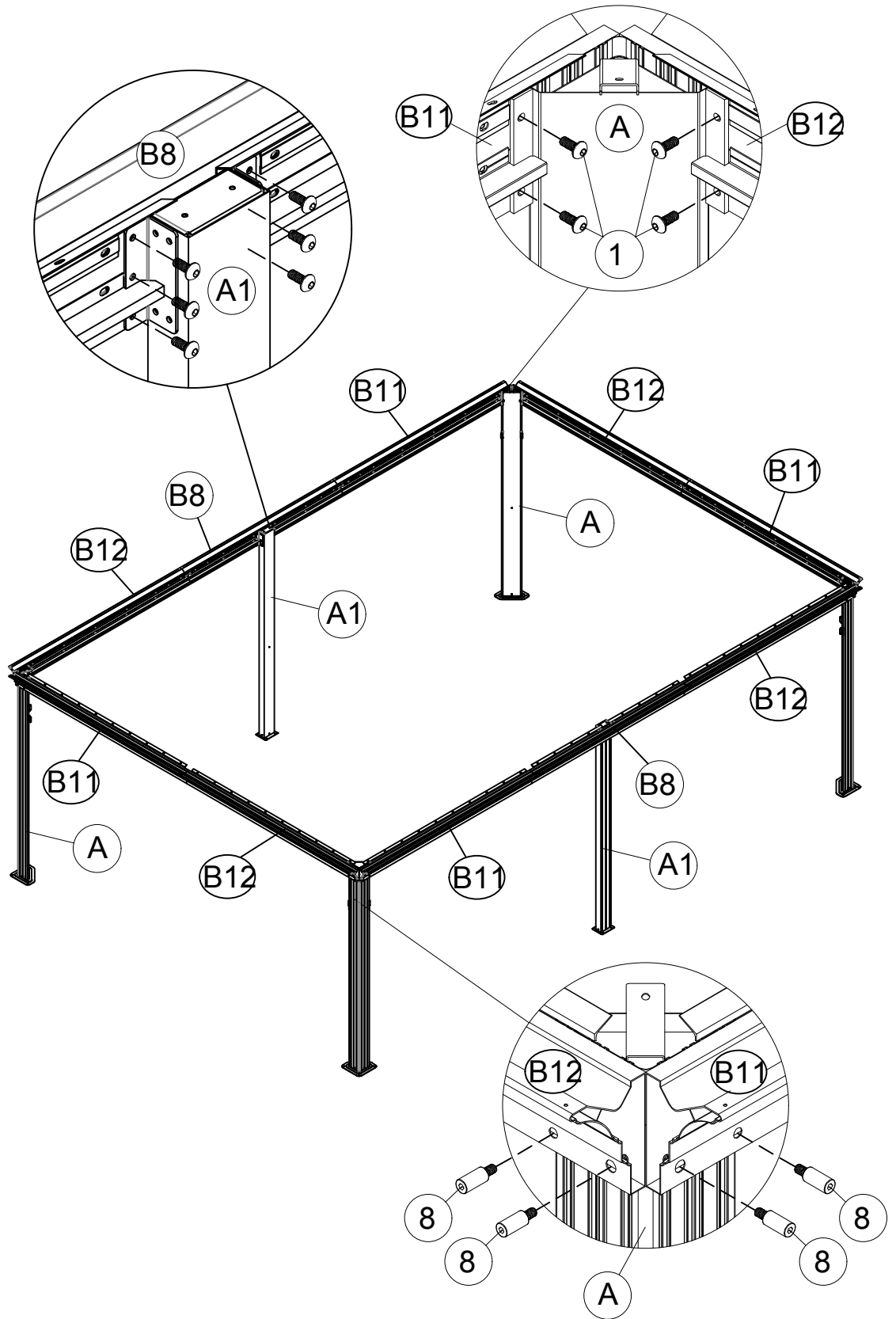


<5>

1 M6x15  
28x

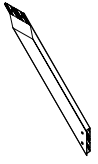


8 16x

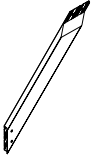


9

<6>



H 4x



H1 4x

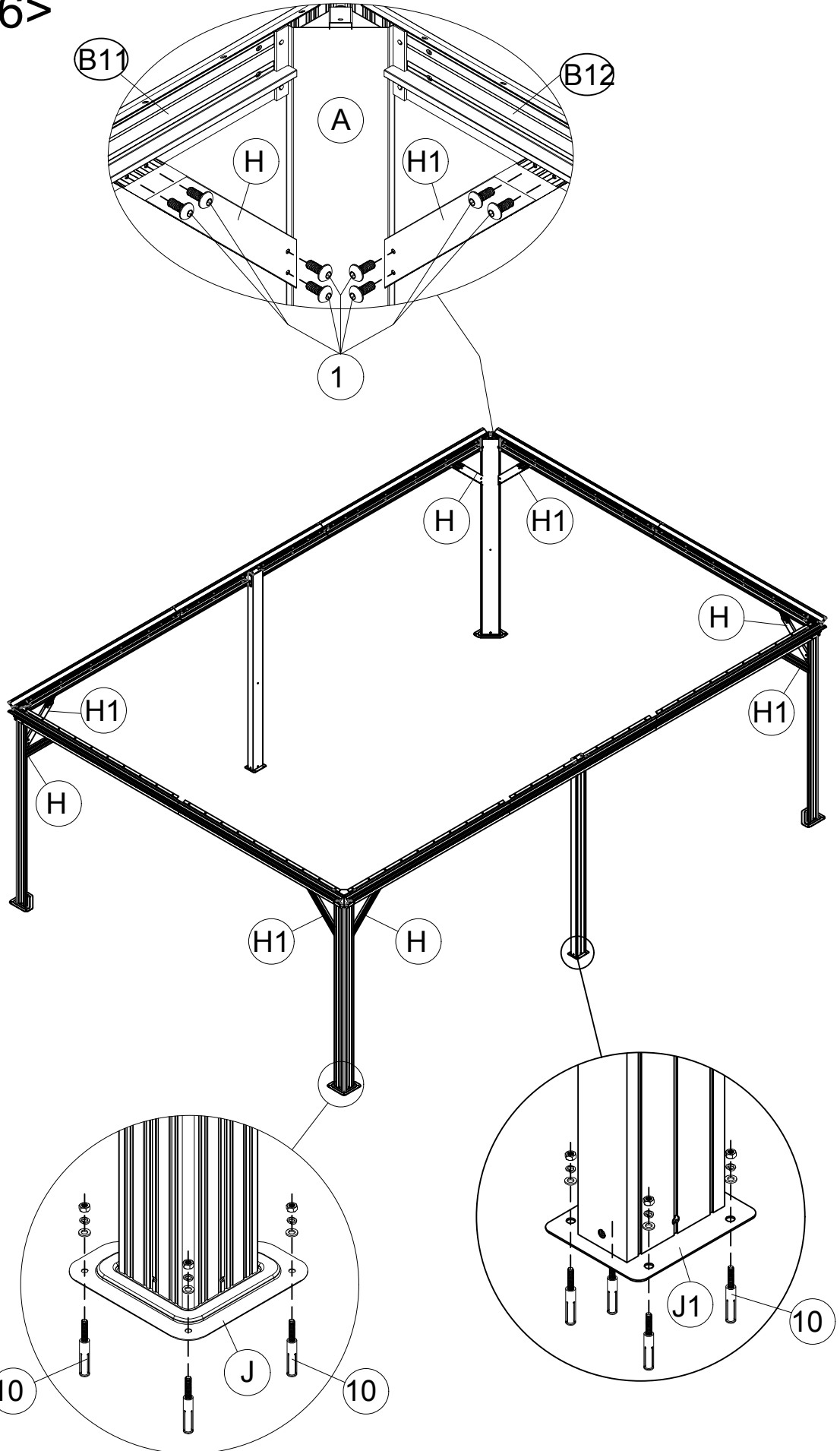


M6x15

1 32x

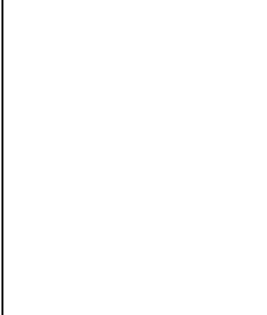
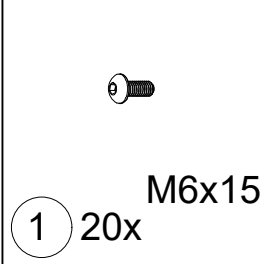
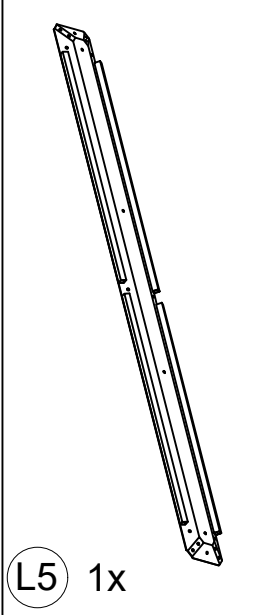
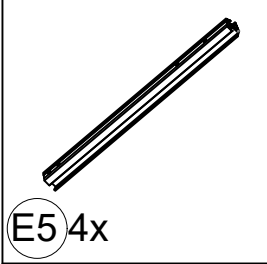
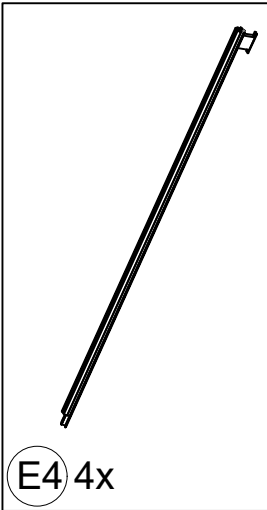


10 20x

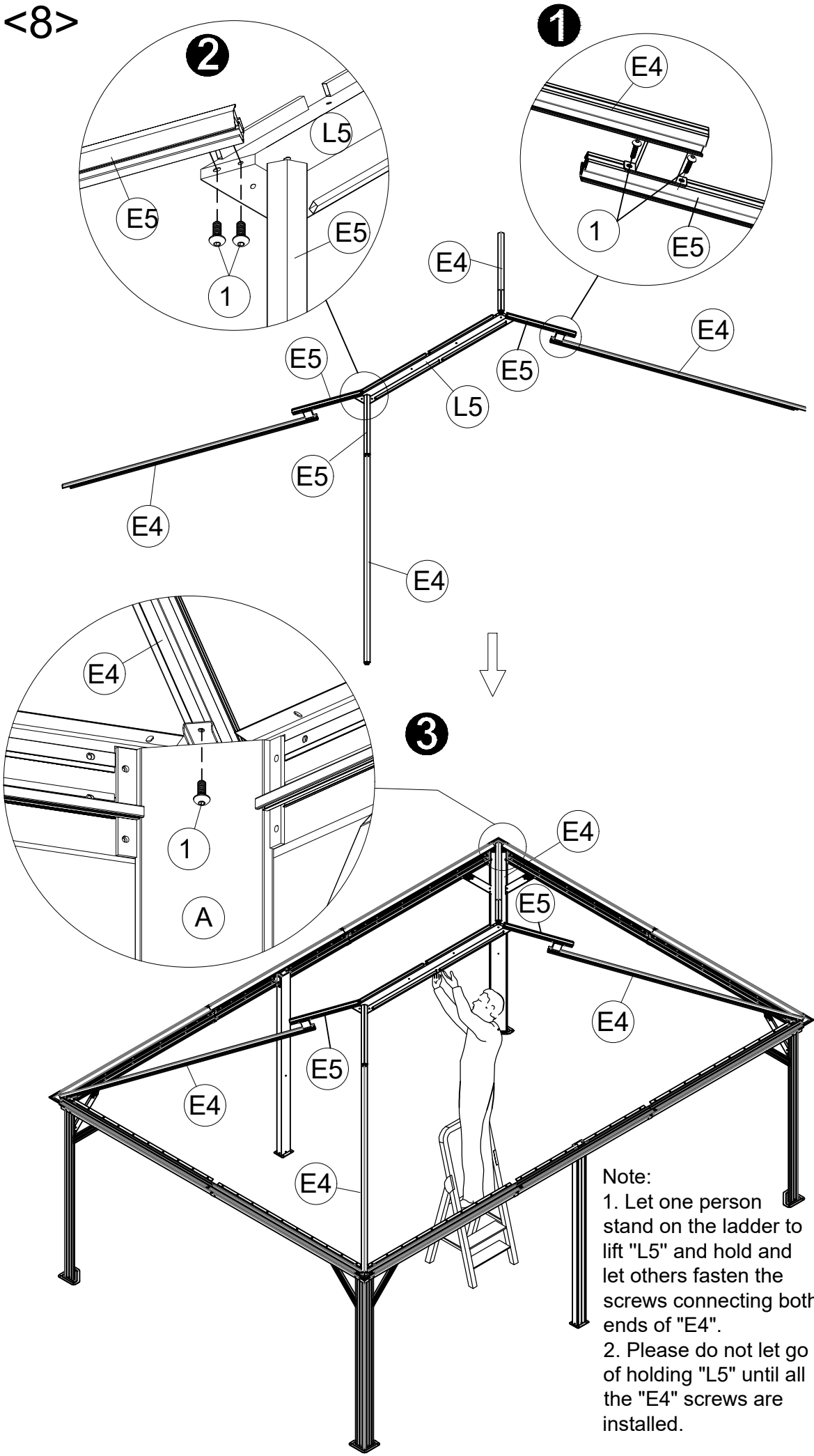


10





<8>



Note:  
1. Let one person stand on the ladder to lift "L5" and hold and let others fasten the screws connecting both ends of "E4".  
2. Please do not let go of holding "L5" until all the "E4" screws are installed.

<9>



E6 2x



E7 4x



E8 2x



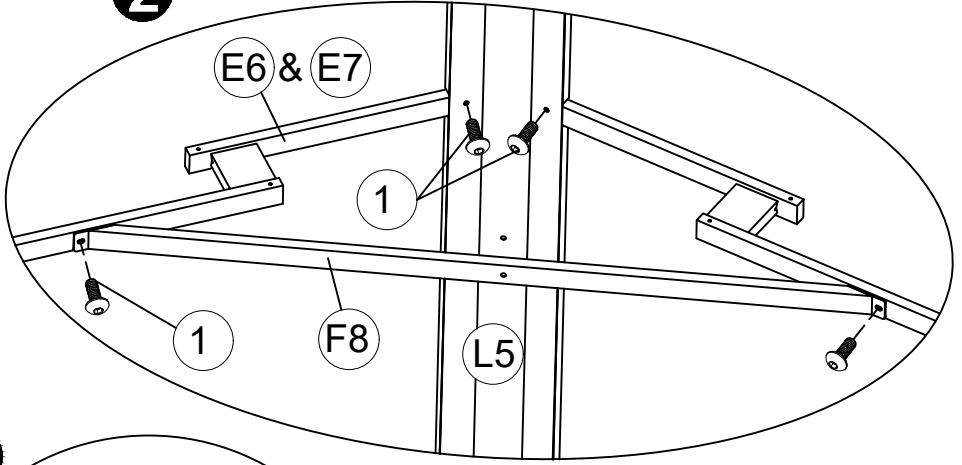
F8 3x



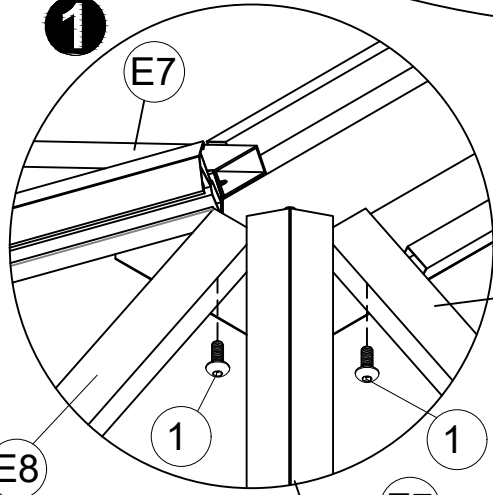
M6x15

1 30x

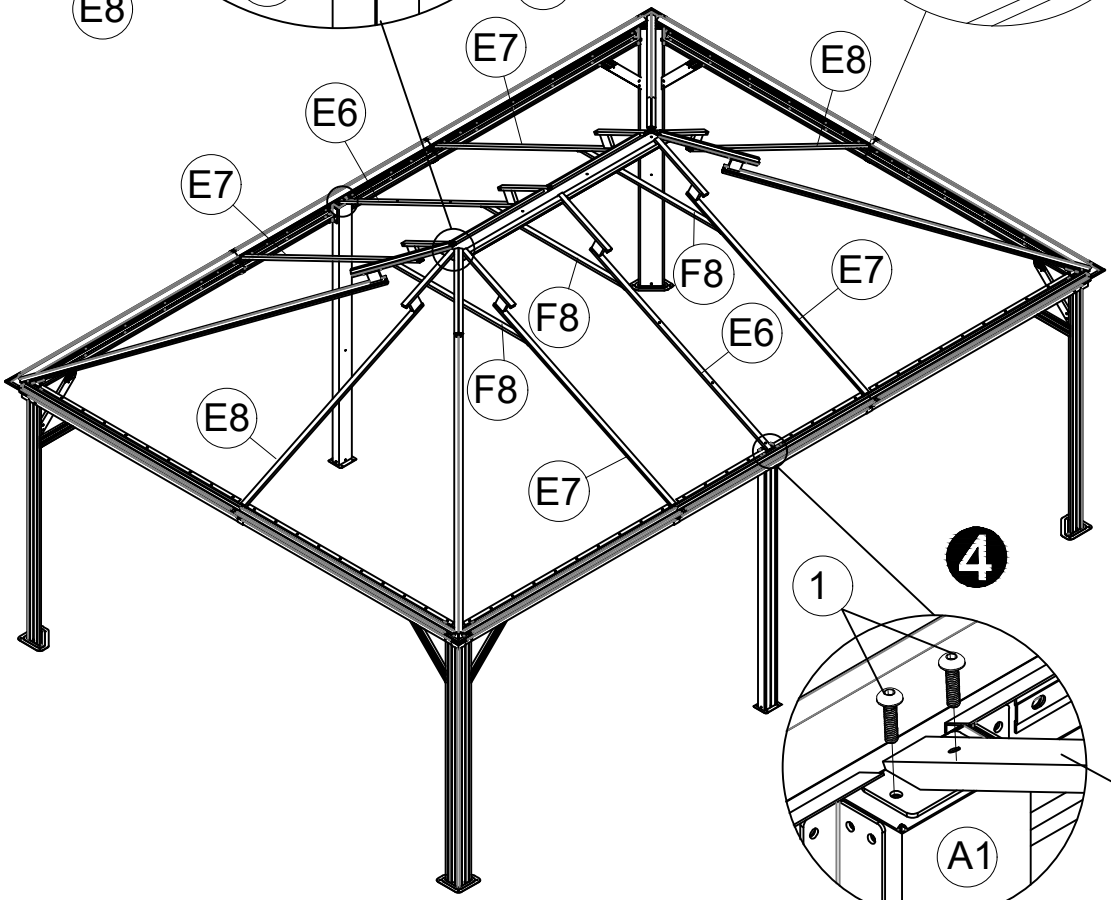
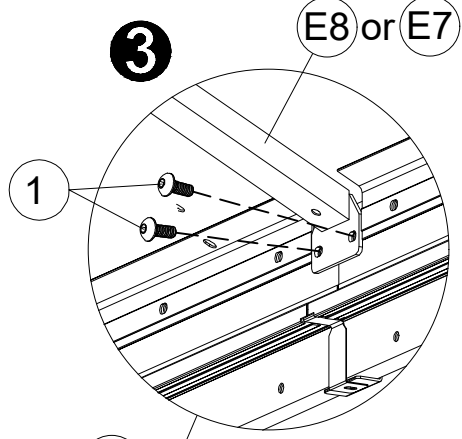
2



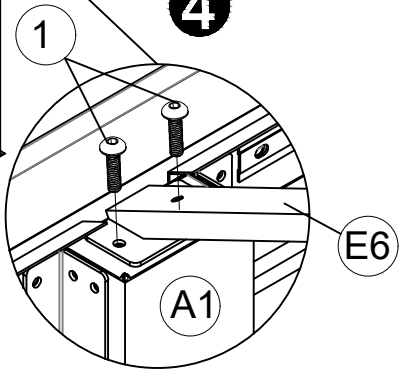
1



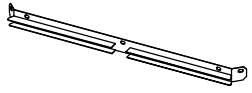
3



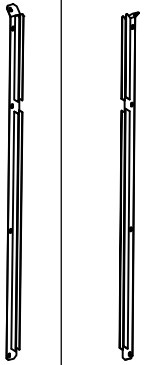
4



<10>



I1 2x



I7 2x

I8 2x



N 4x

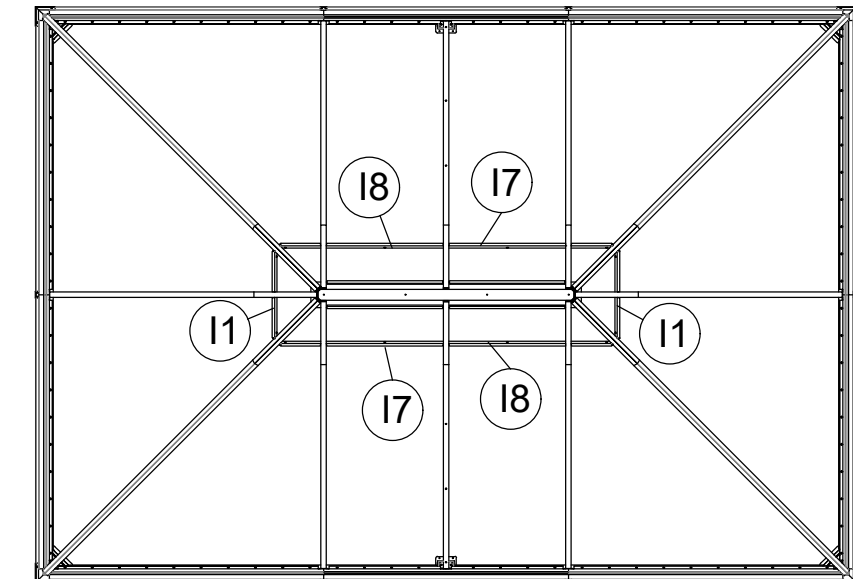
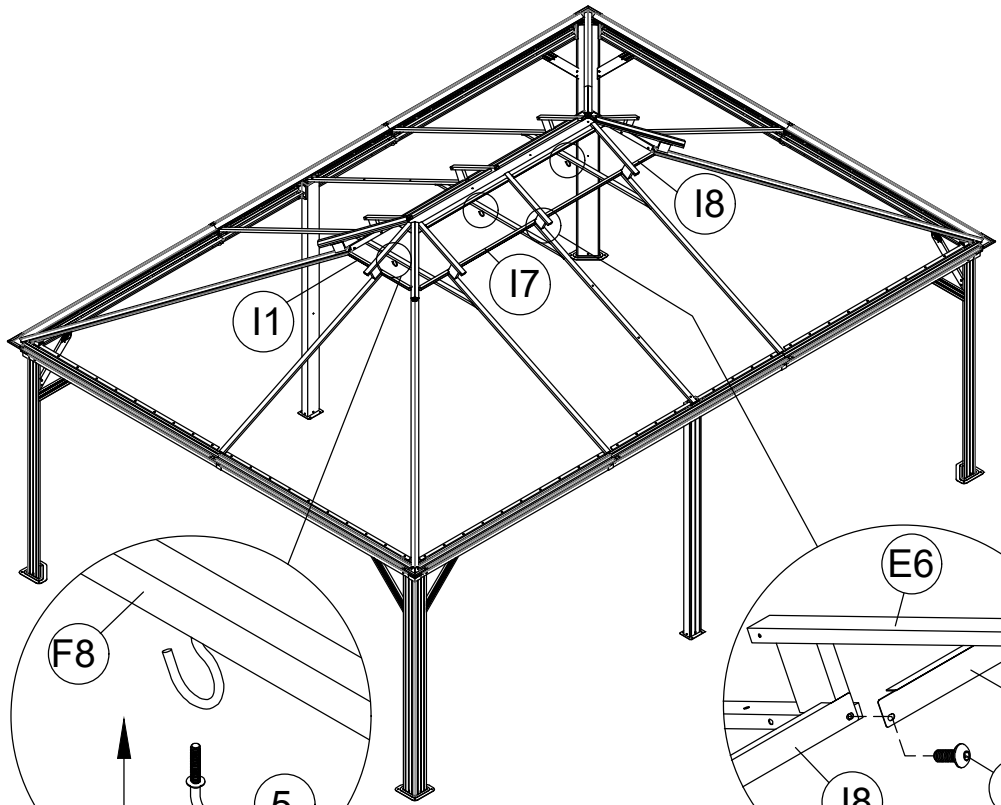
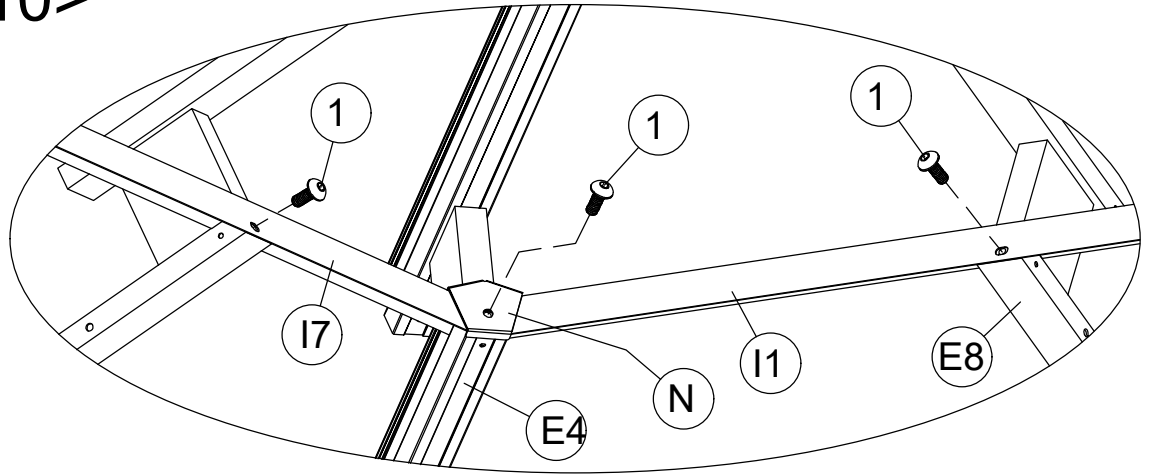


M6x15

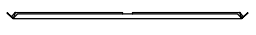
1 12x



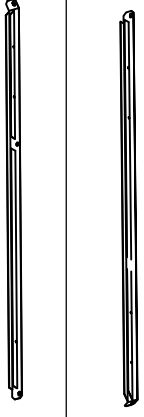
5 3x



<11>



G1 2x



G7 2x

G8 2x



N 4x



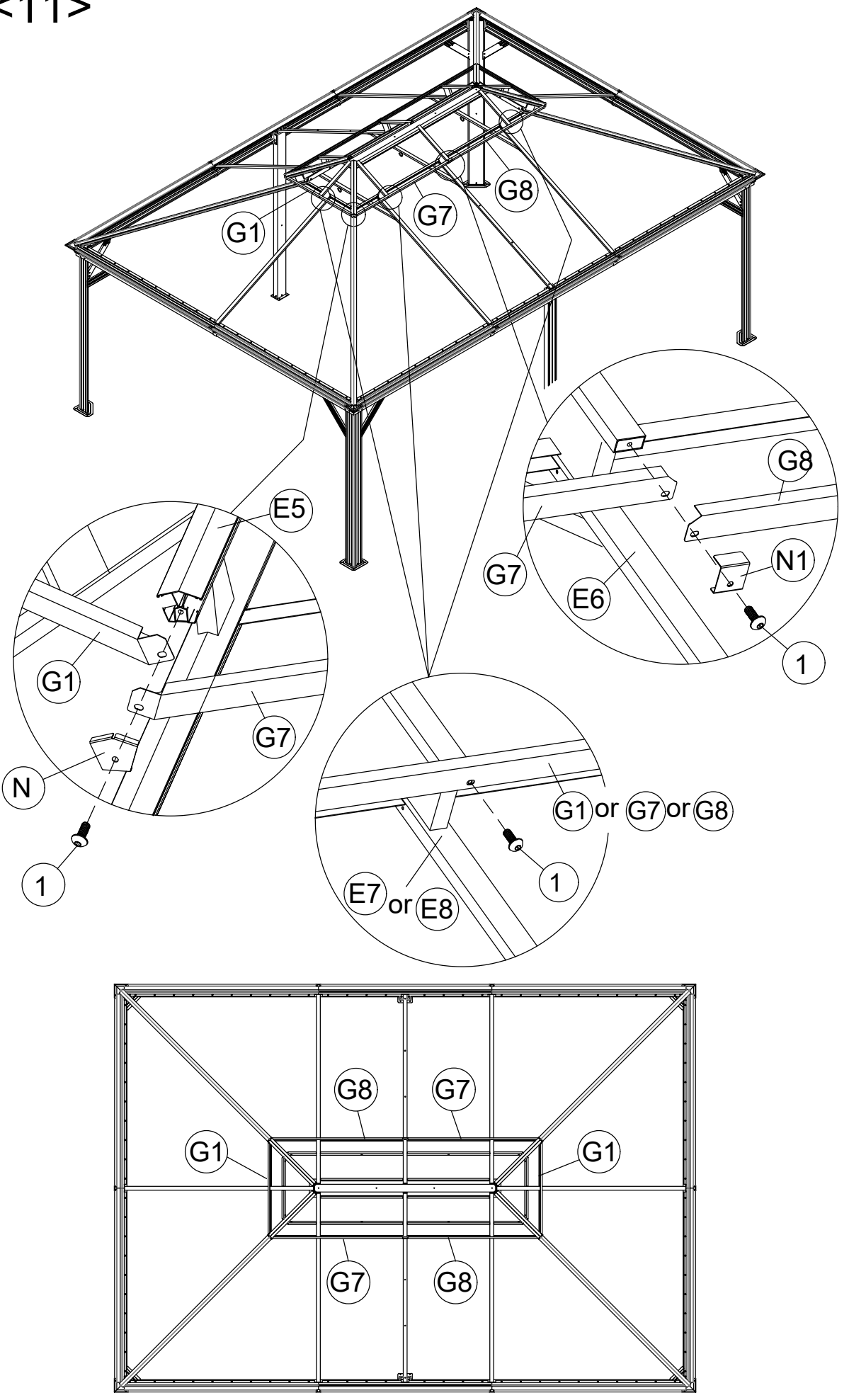
N1 2x



1 12x

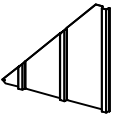
M6x15

15

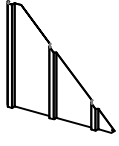


<12>

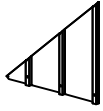
S1 2x



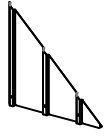
S2 2x



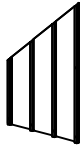
R1 2x



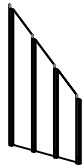
R2 2x



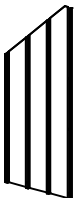
R3 2x



R4 2x



P5 2x



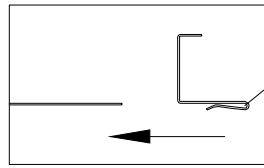
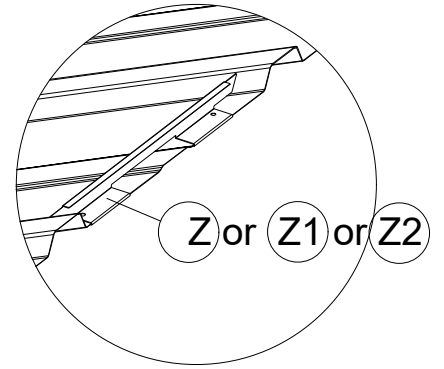
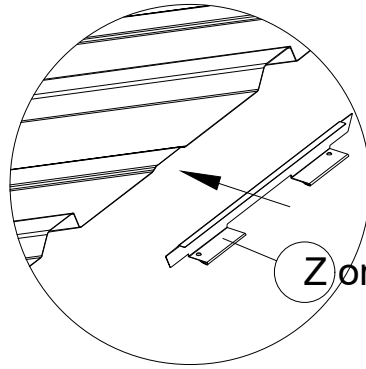
P6 2x



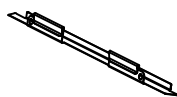
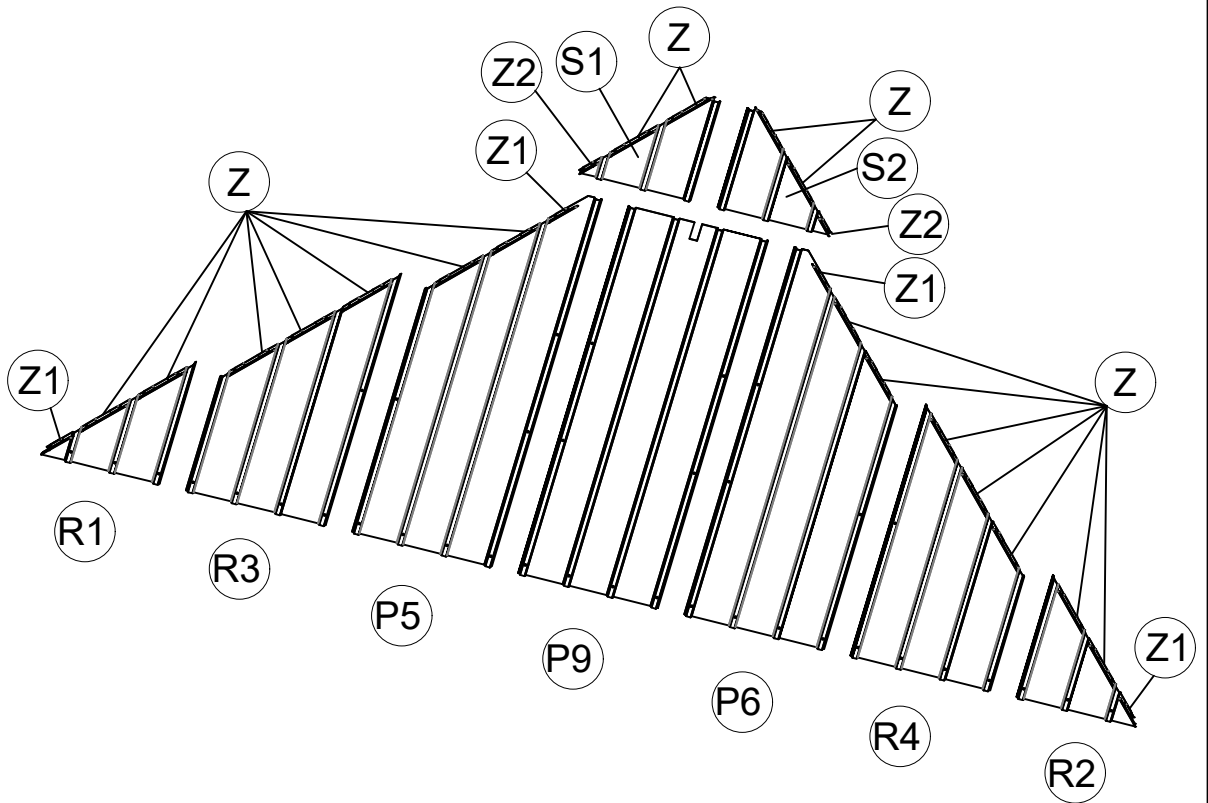
P9 2x



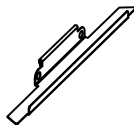
16



Z or Z1 or Z2



Z 36x



Z1 8x

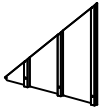


Z2 4x

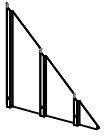


<13>

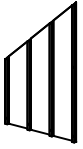
R1 2x



R2 2x



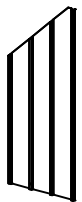
R3 2x



R4 2x



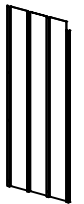
P5 2x



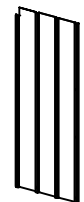
P6 2x



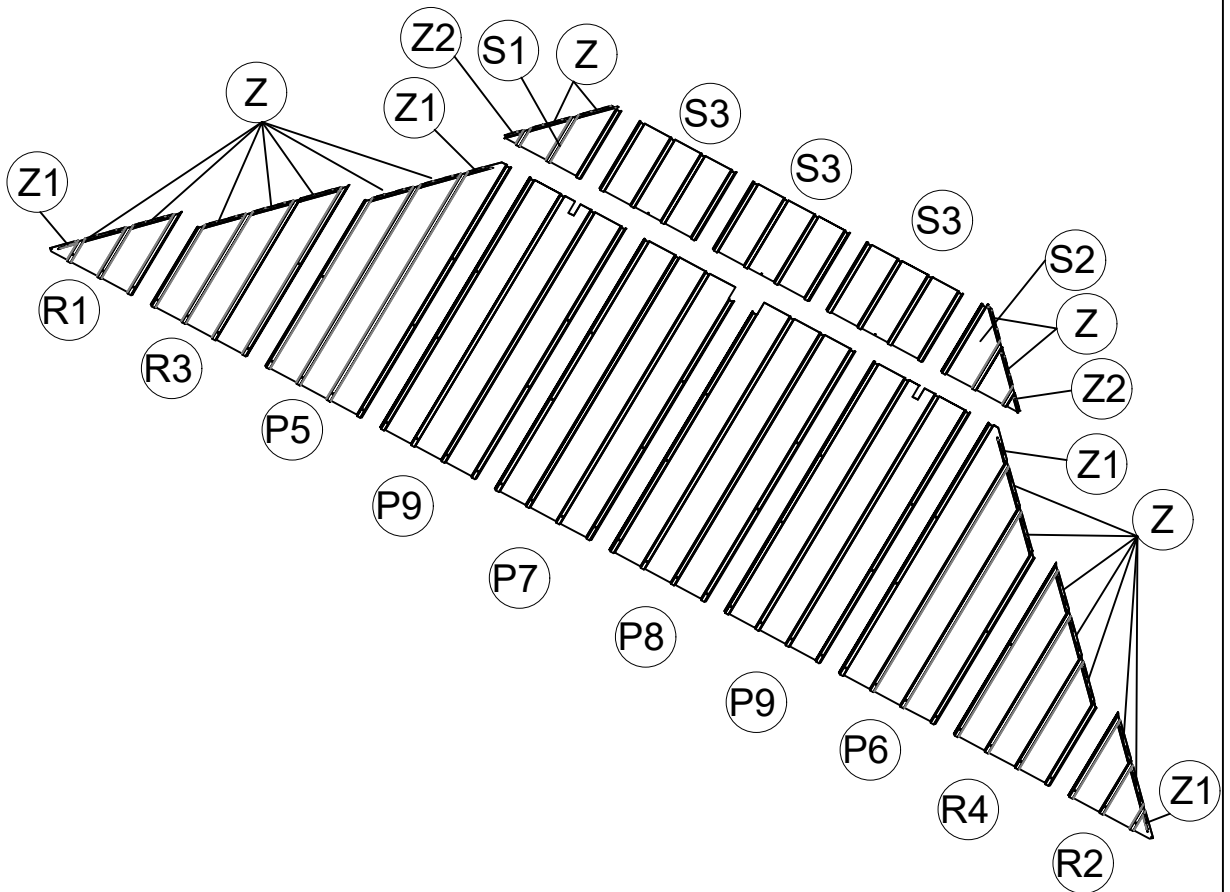
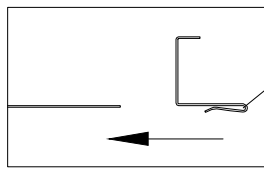
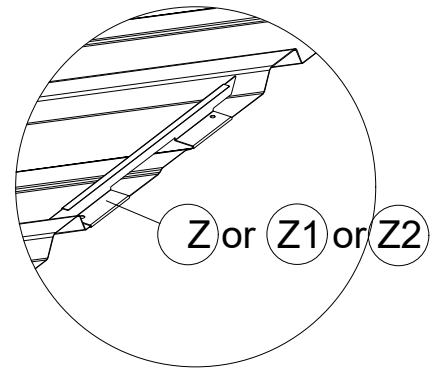
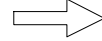
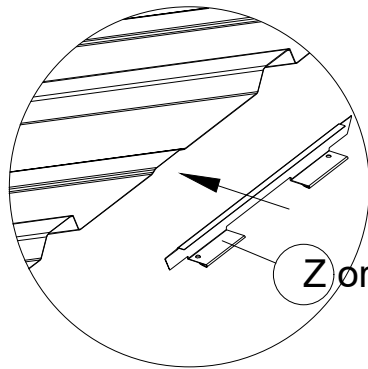
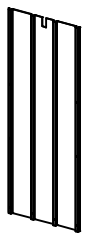
P7 2x



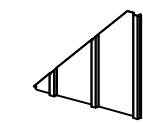
P8 2x



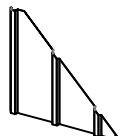
P9 4x



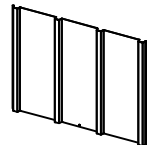
17



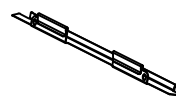
S1 2x



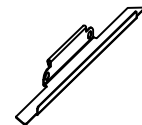
S2 2x



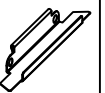
S3 6x



Z 36x

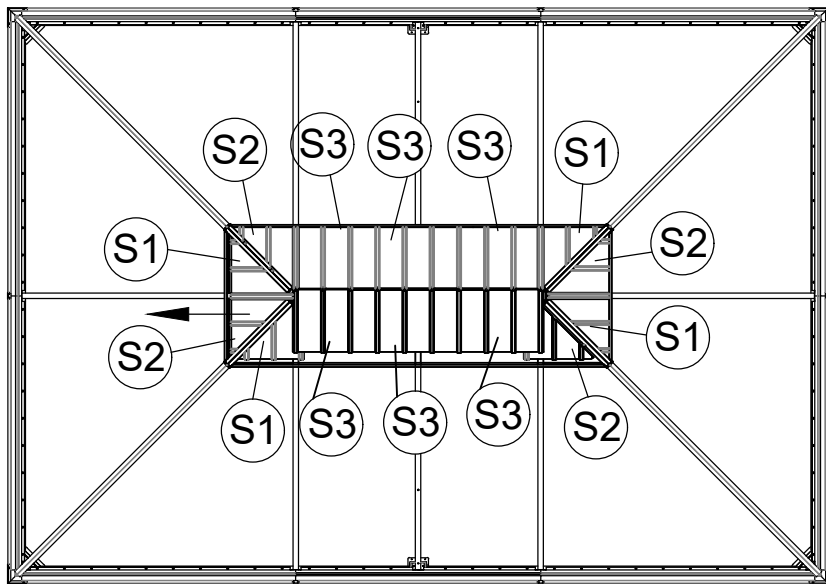
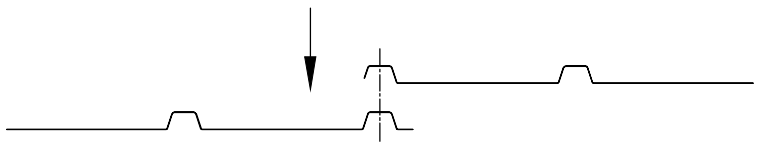
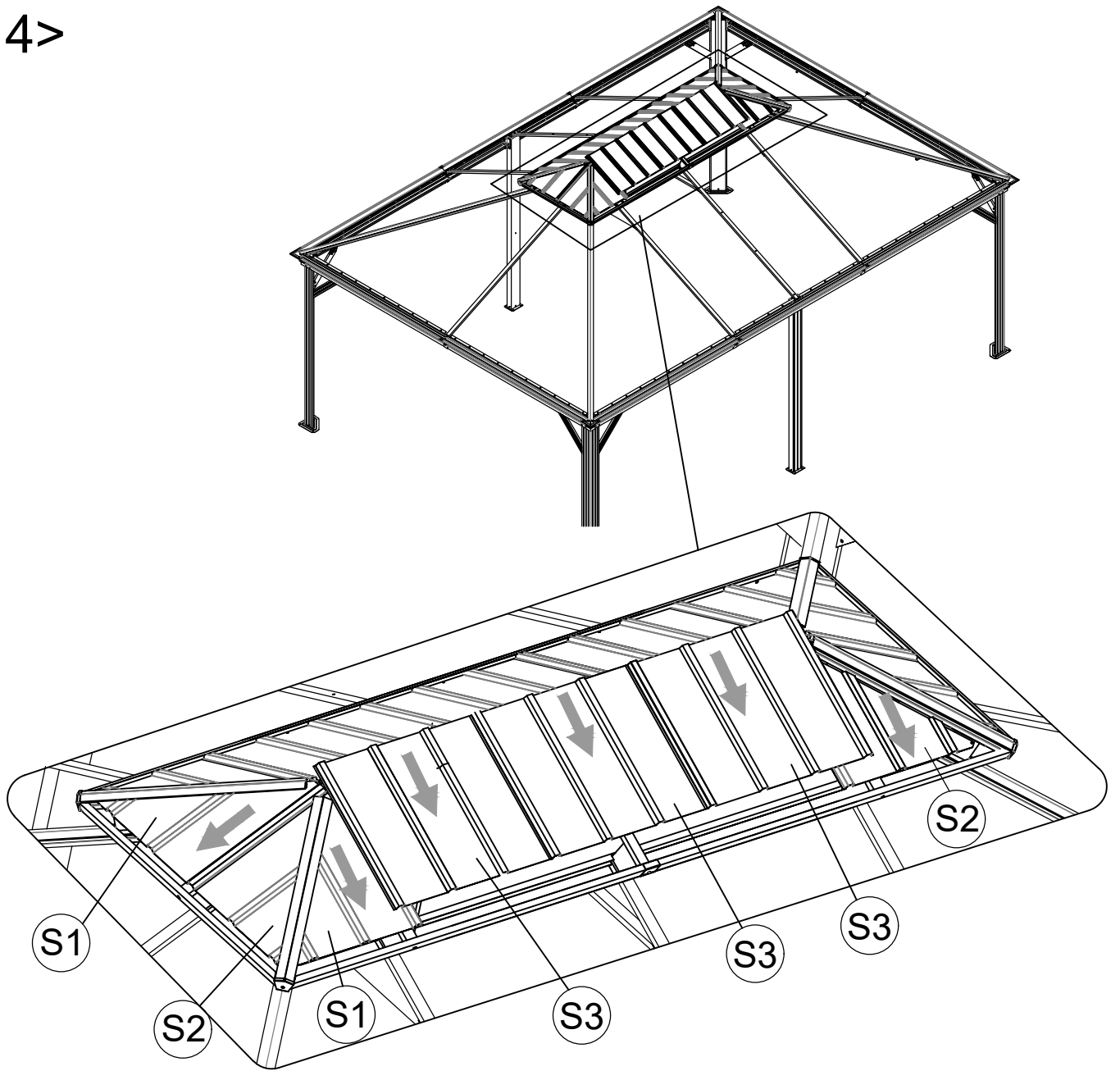


Z1 8x

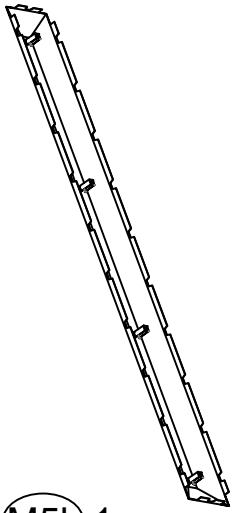


Z2 4x

<14>



<15>

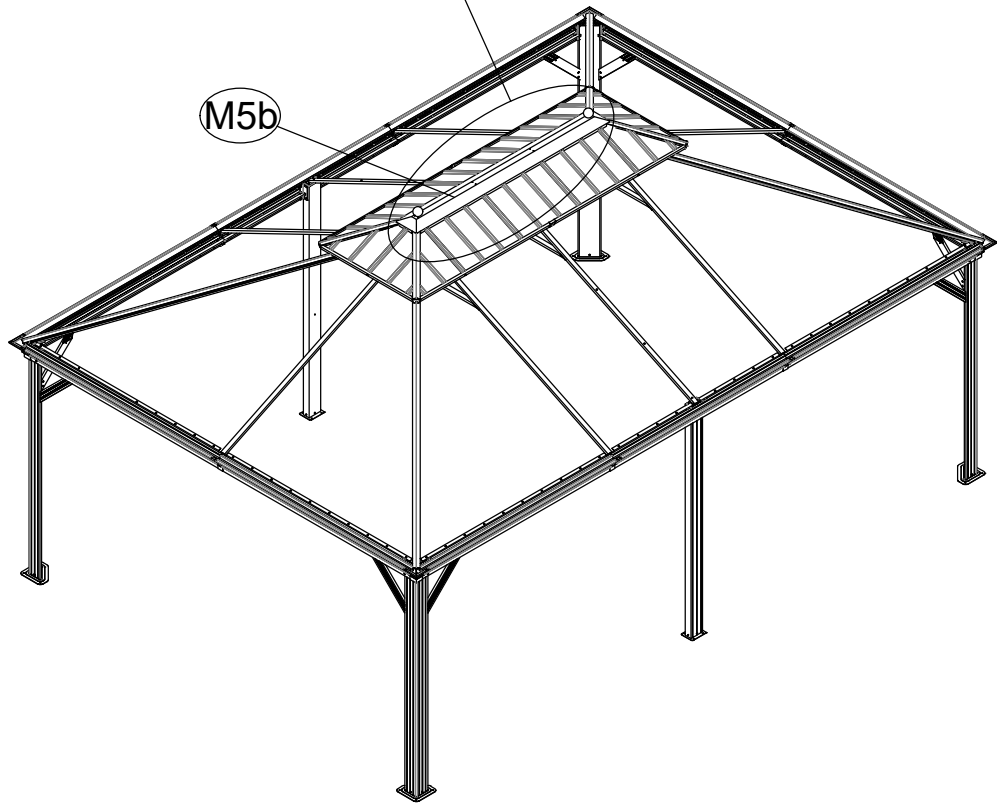
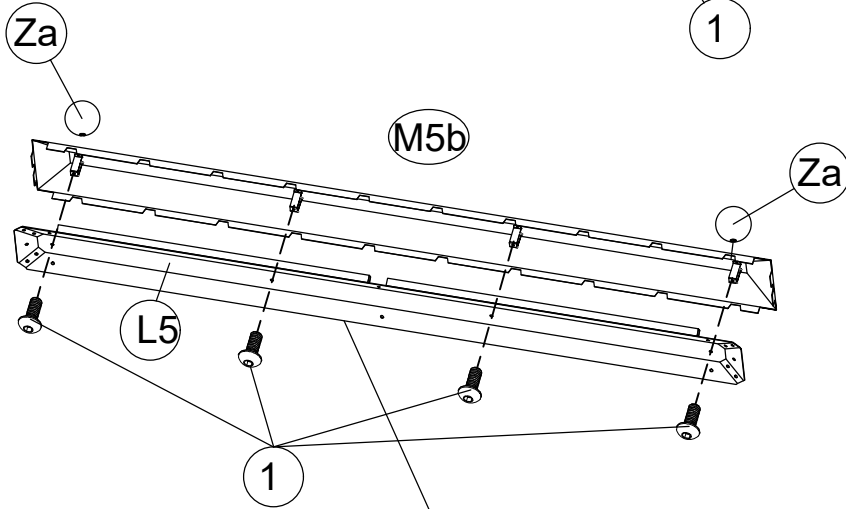
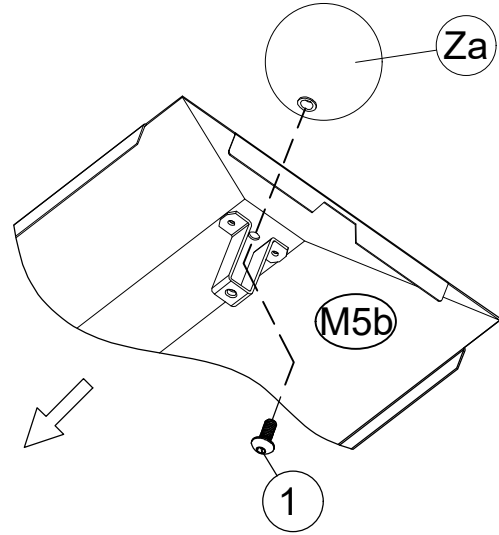


M6x15

1 6x

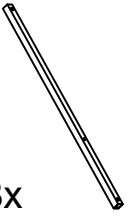


Za 2x

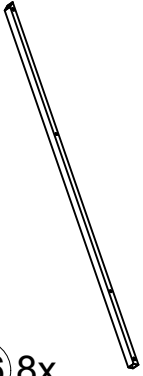


<16>

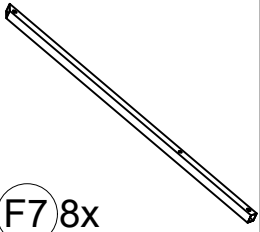
F4 8x



F6 8x



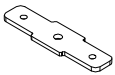
F7 8x



W 8x



W1 16x

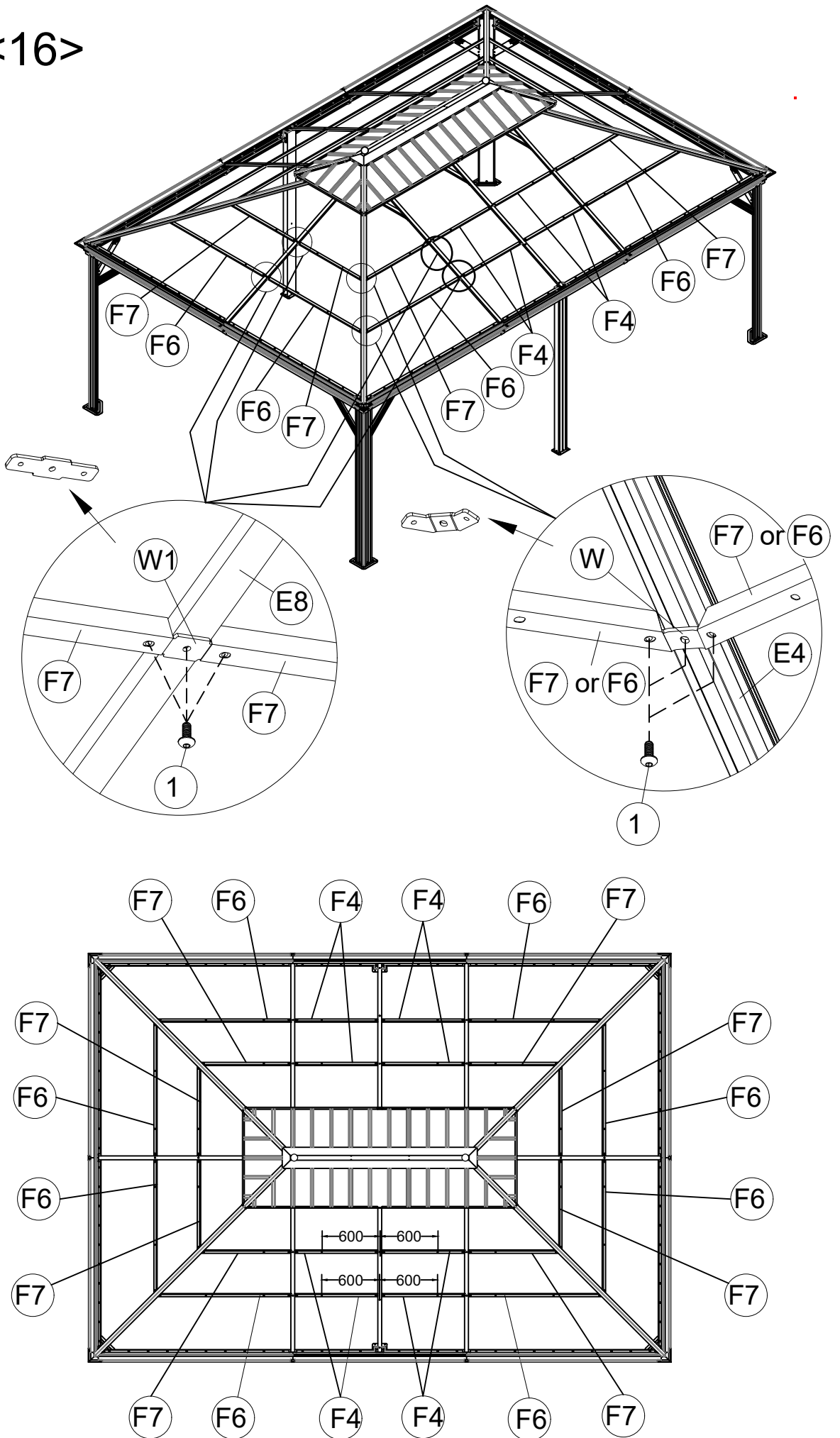


1 72x

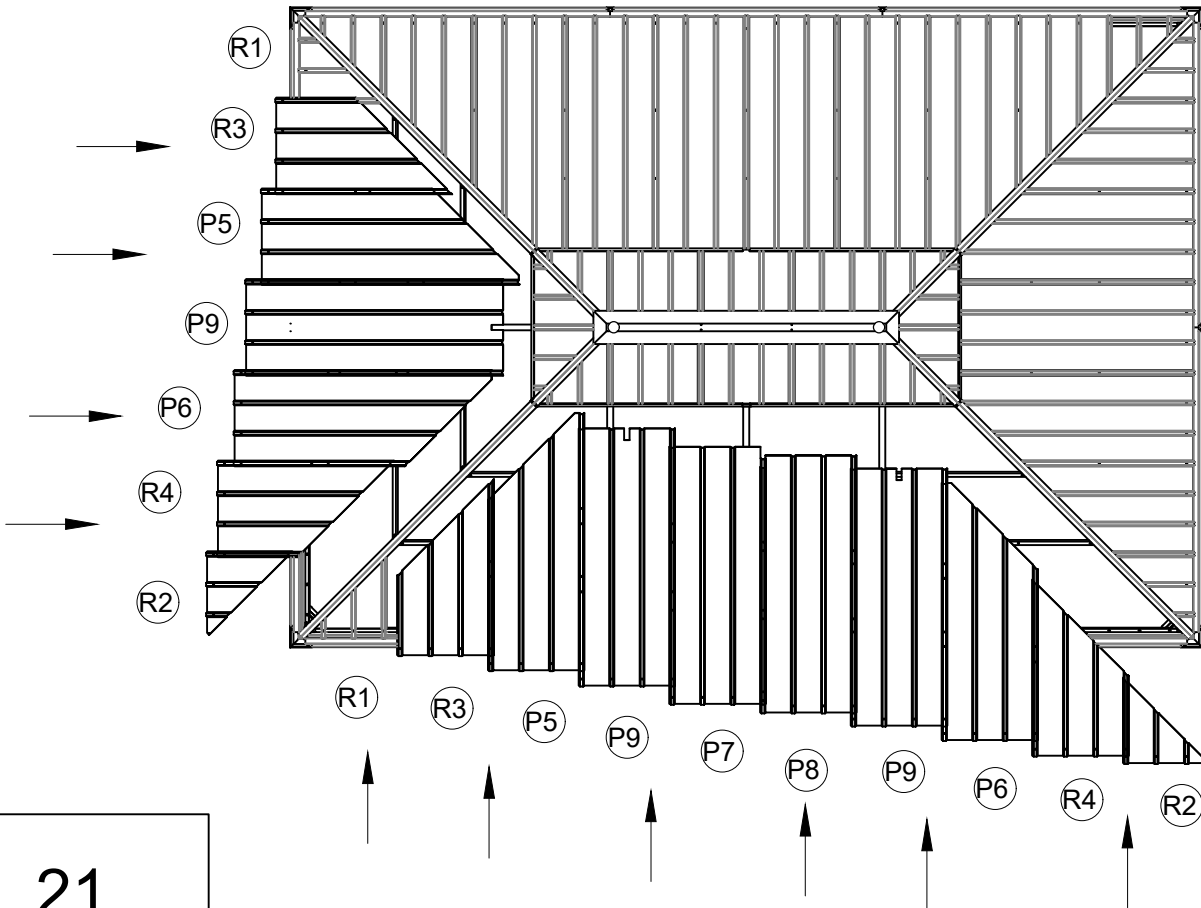
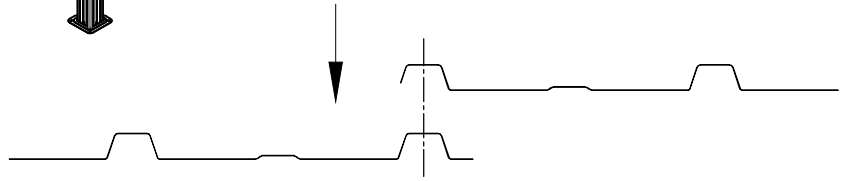
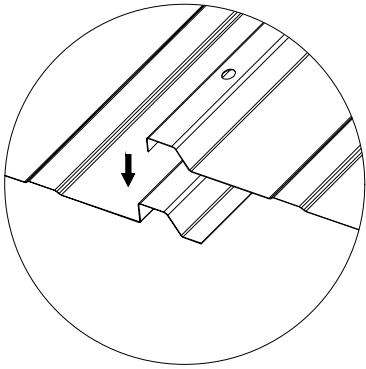
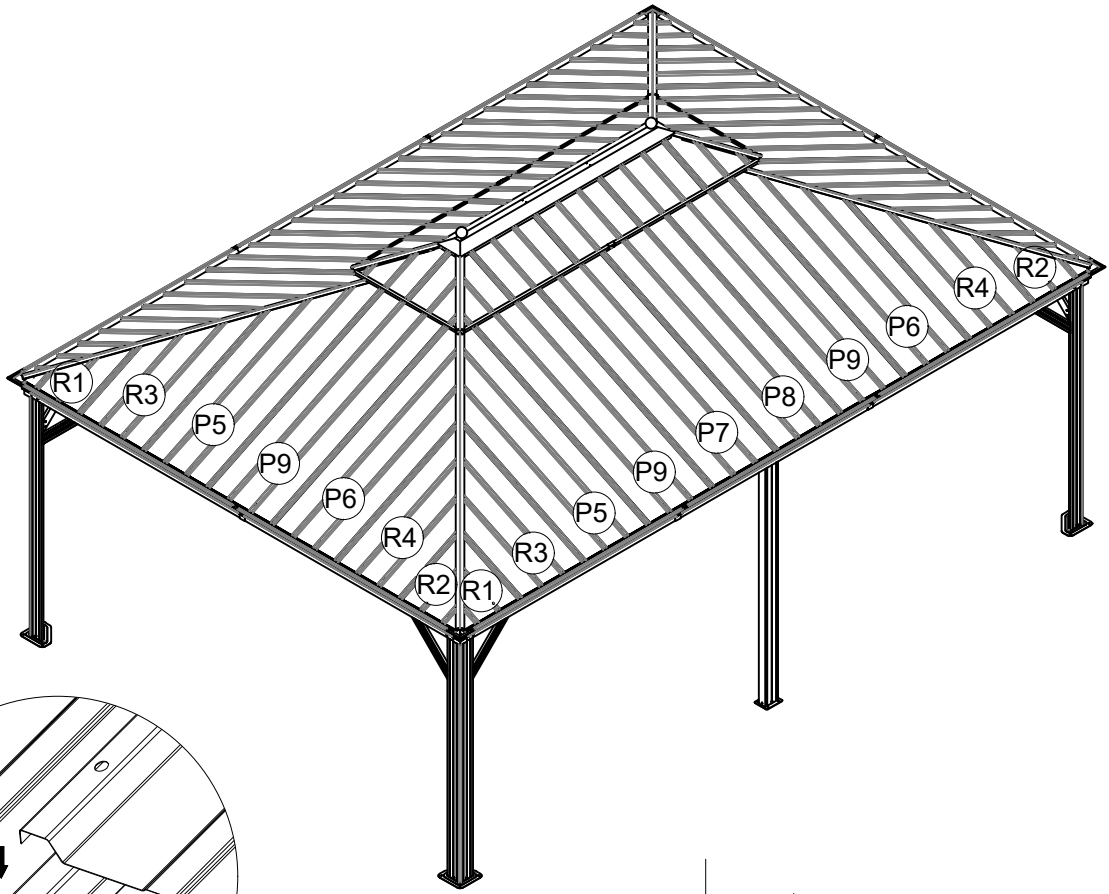


M6x15

20

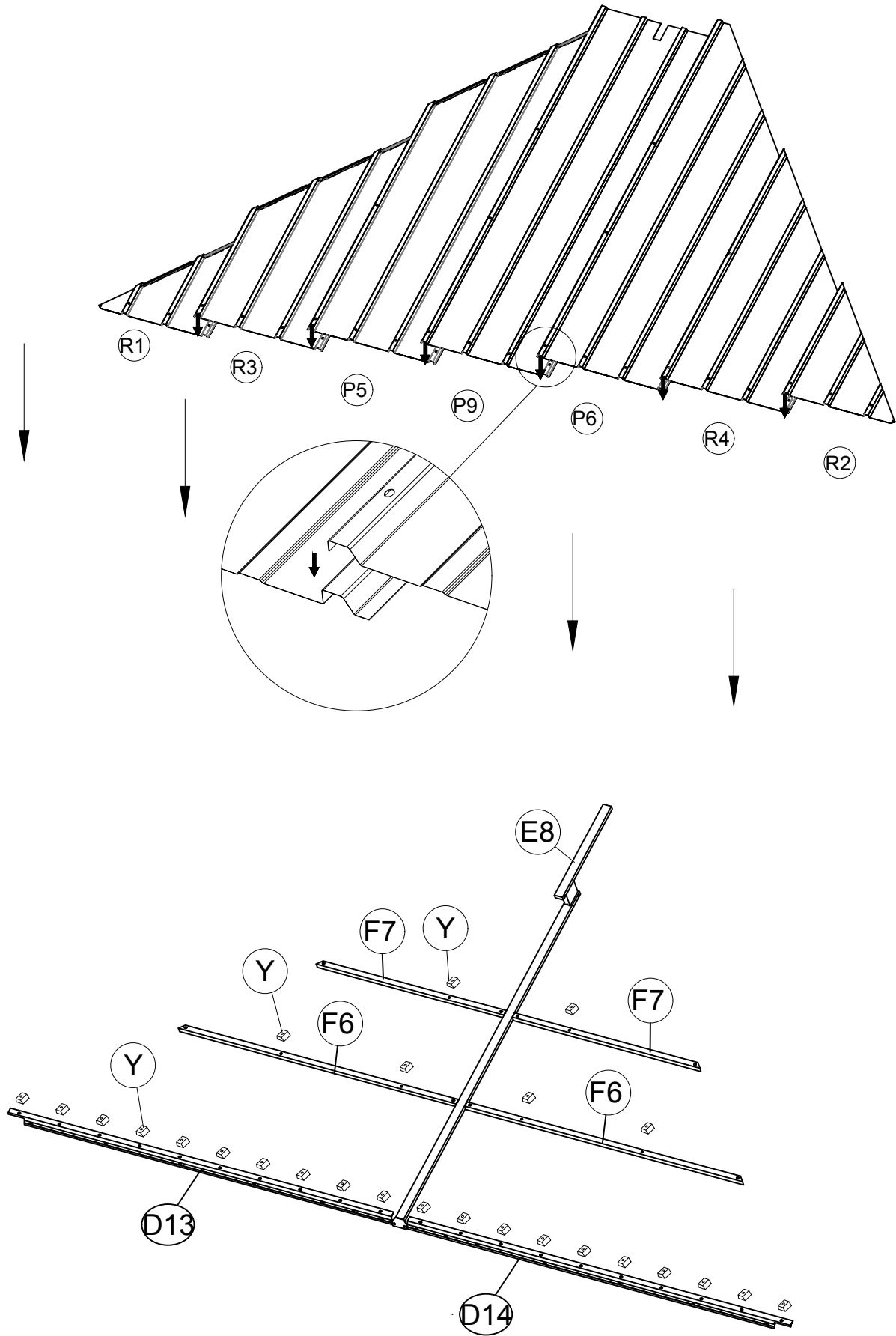


<17>

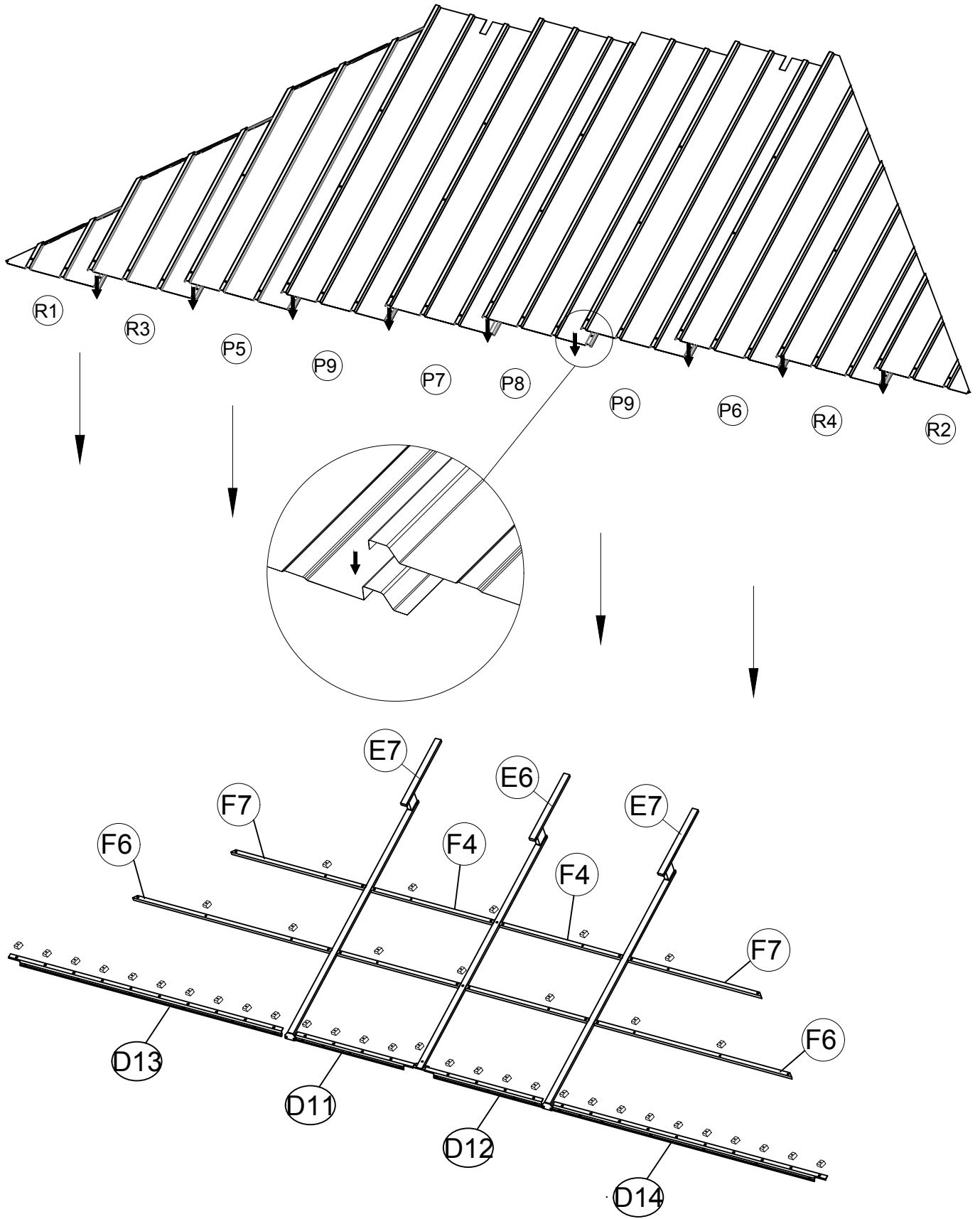


21

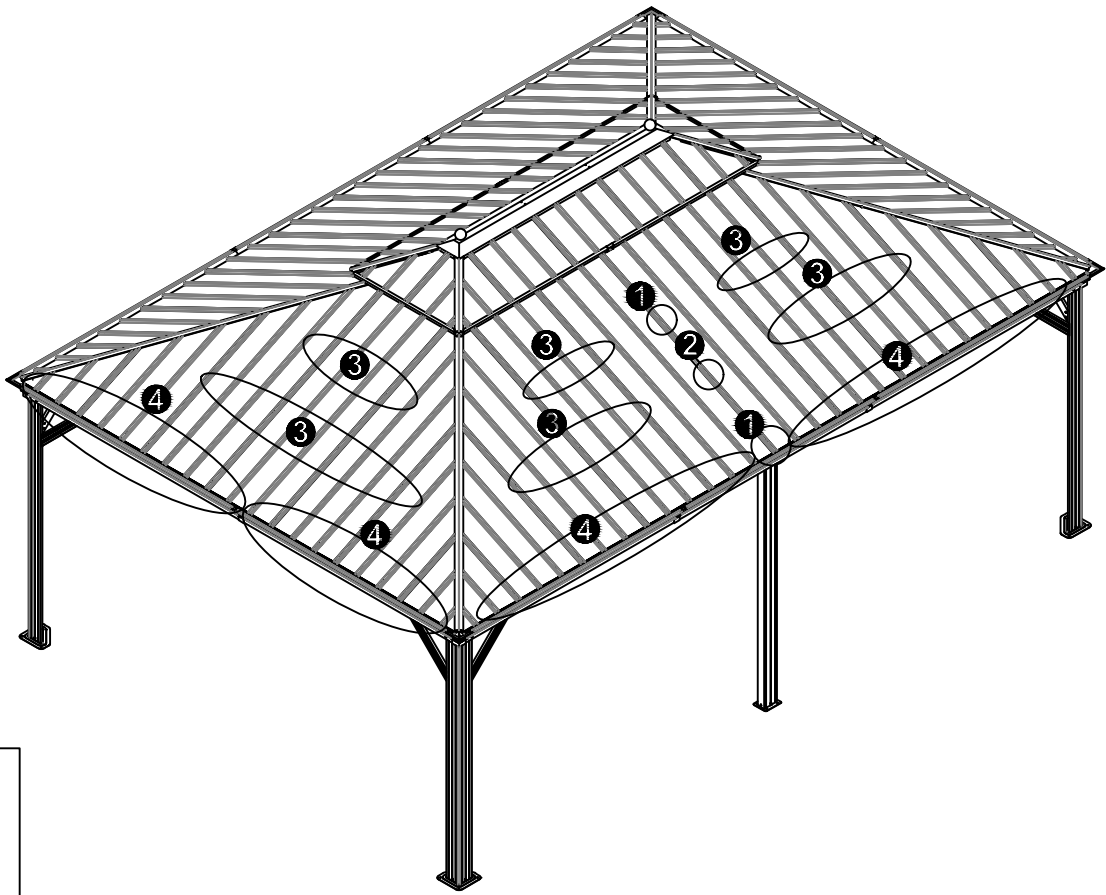
<18>



<19>



<20>



Y 134x



M6x25

3 2x



M6x23

2 96x



M6x42

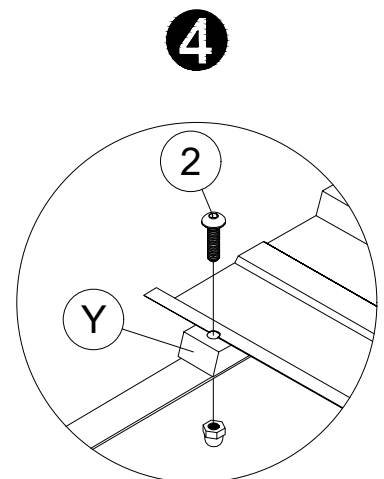
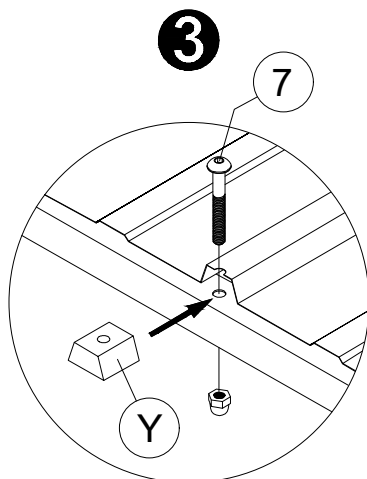
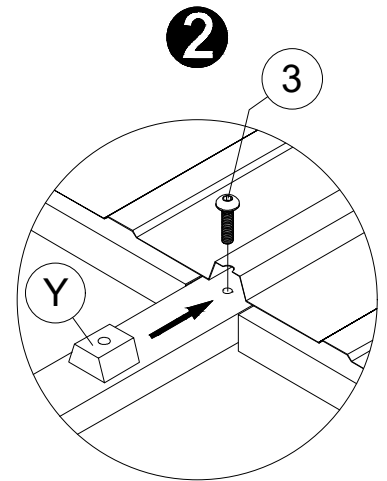
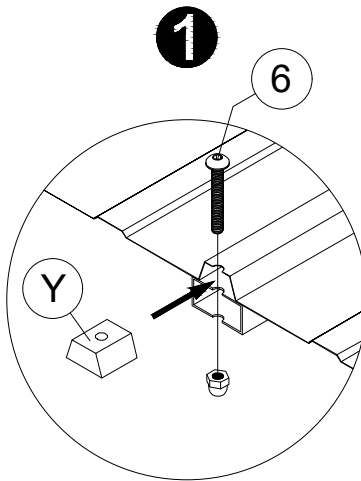
6 4x



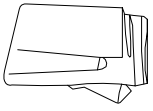
M6x47

7 32x

24

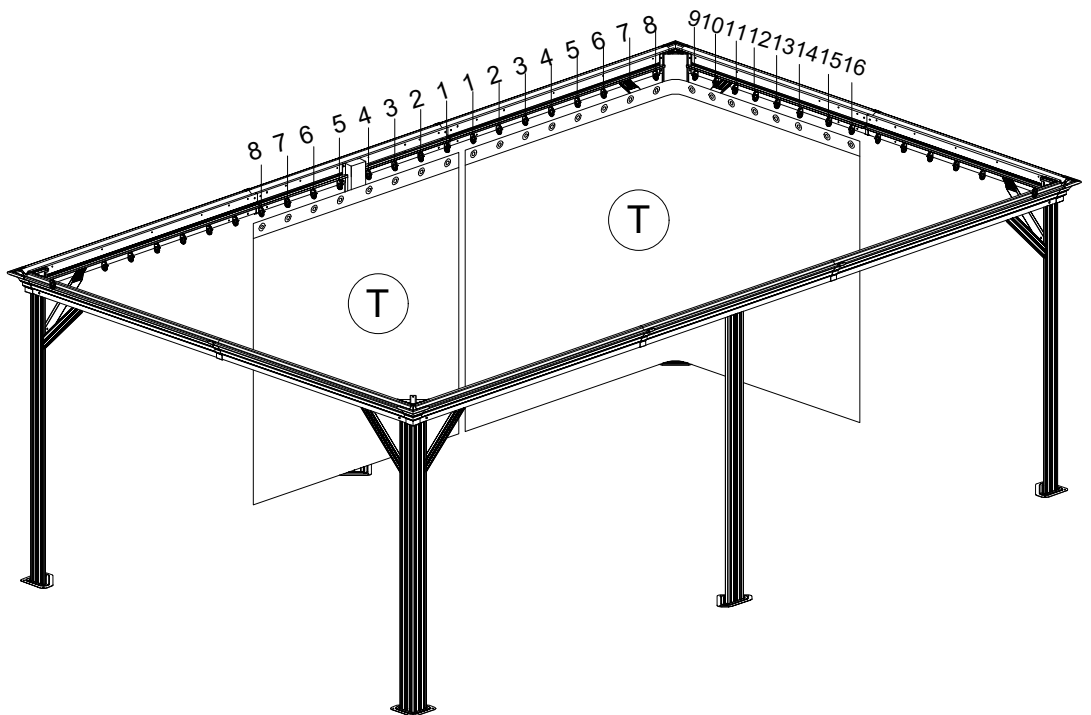
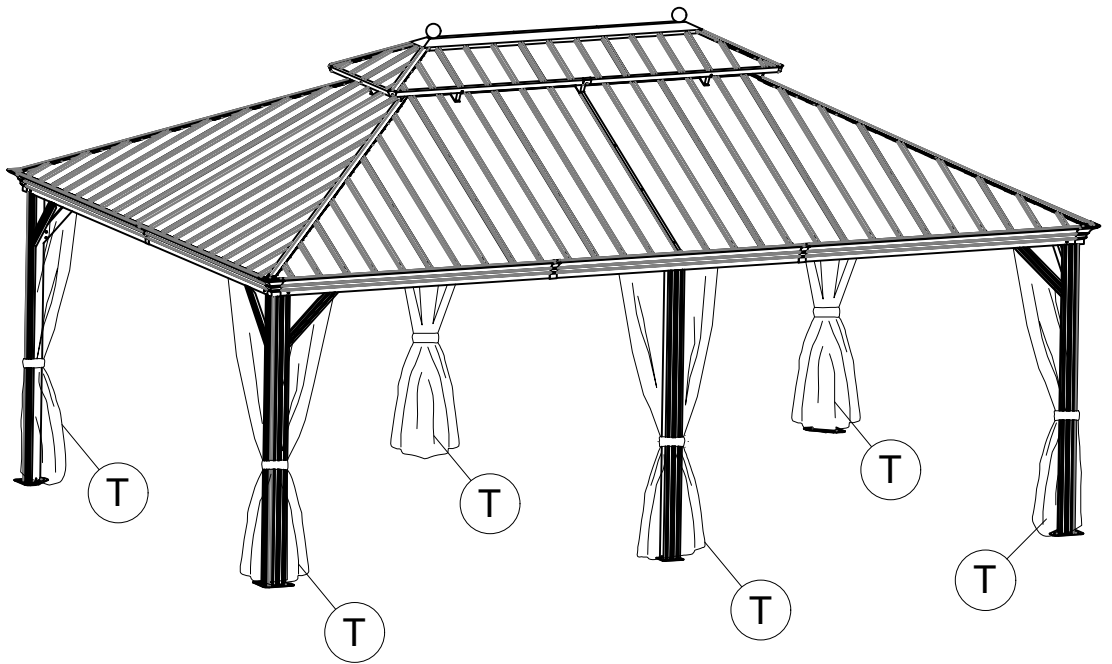
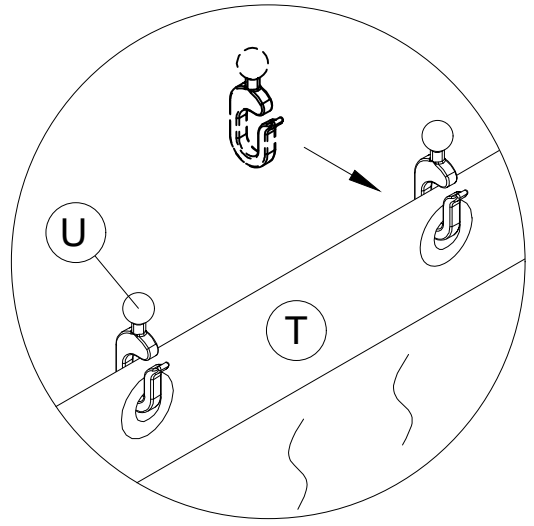
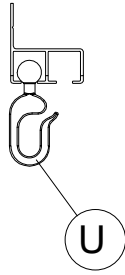


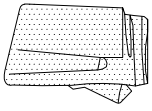




<21>

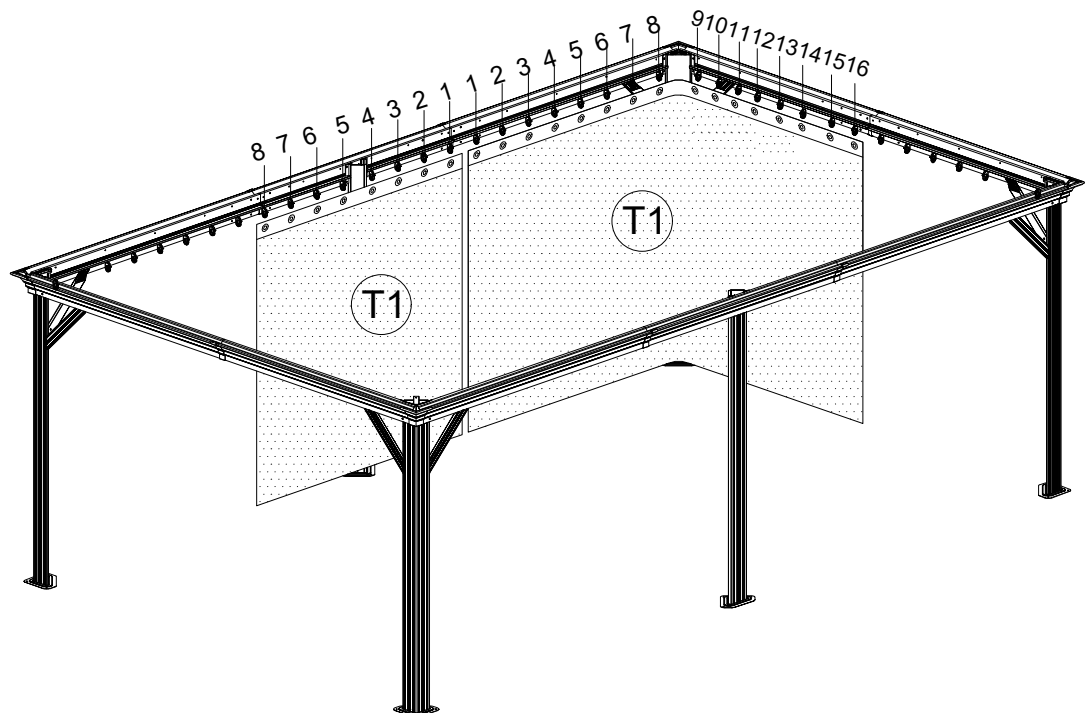
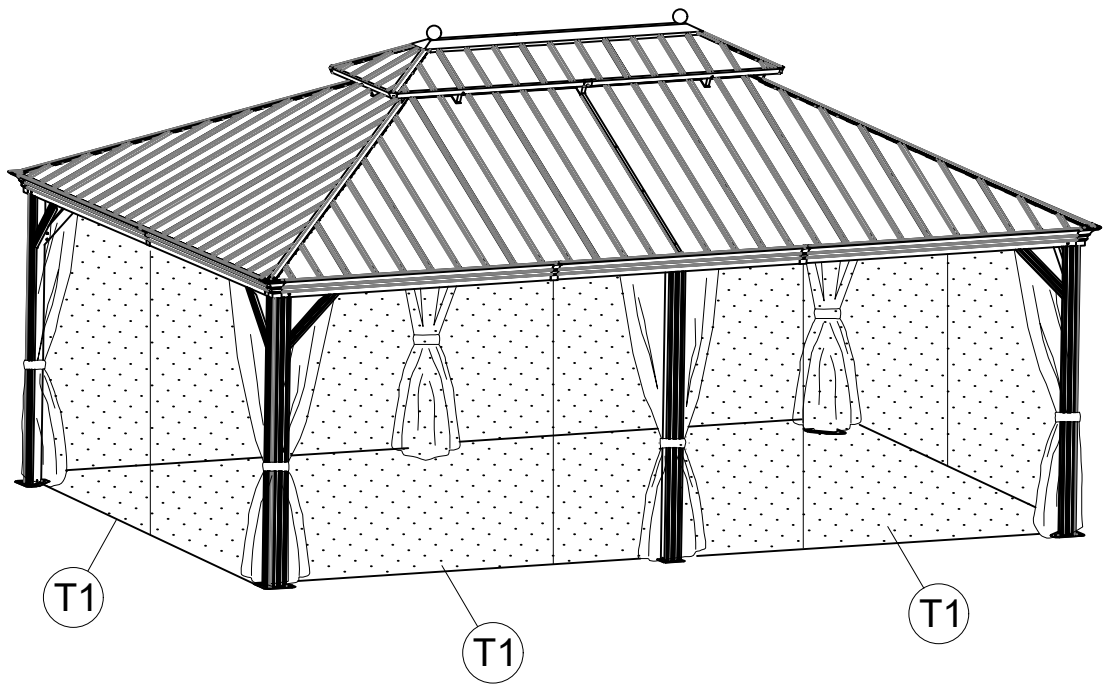
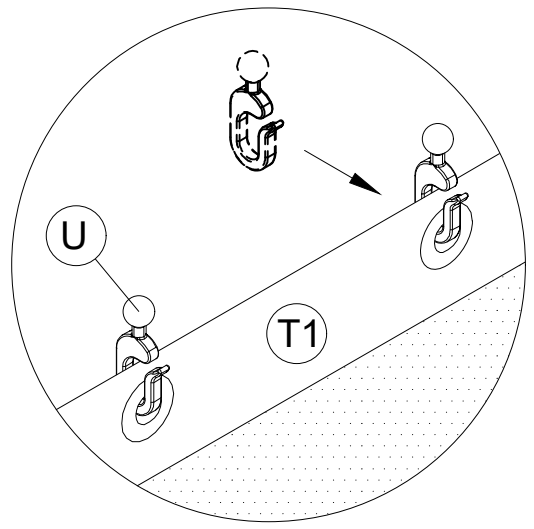
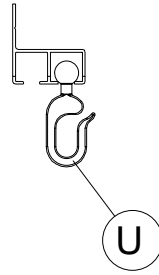
T 4x + 2x



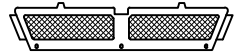


<22>

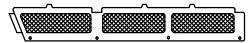
T1 4x + 2x



<23>



V1 2x



V5a 2X

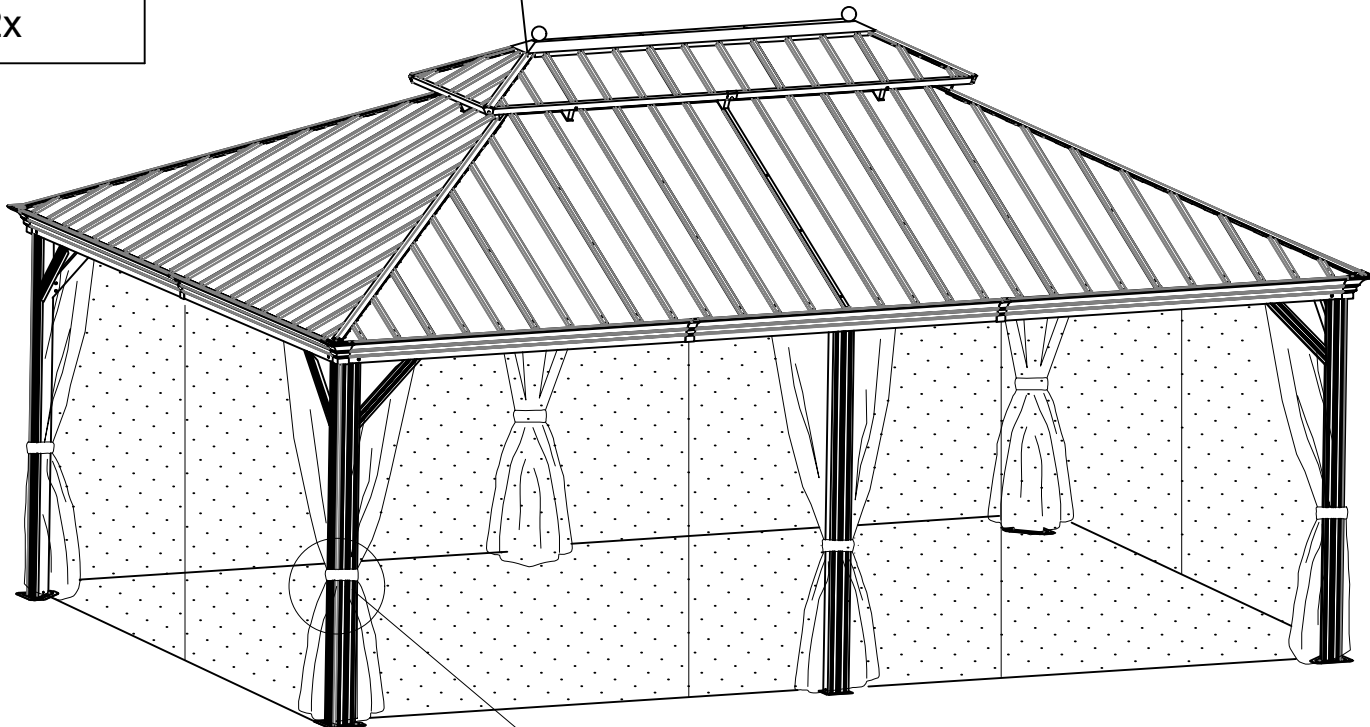
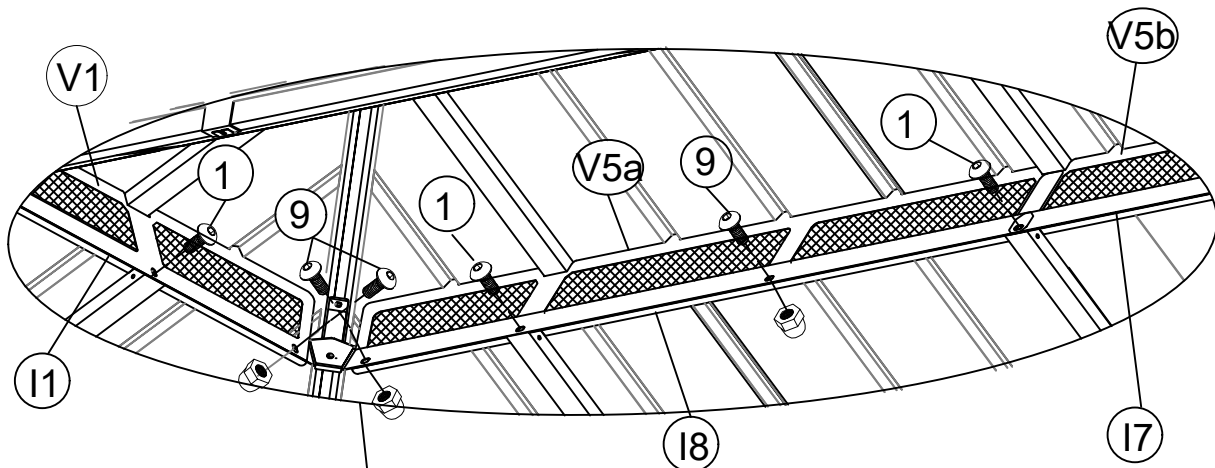


V5b 2x



M6x10

9 12x



Carton-1/6		Carton-3/6		Carton-4/6	
Part	Qty	Part	Qty	Part	Qty
A	4	E4	4	L5	1
A1	2	E6	2	M5b	1
B8	2	E7	4	E5	4
C3	4	E8	2	D13	4
C4	4	D11	2	D14	4
C11	2	D12	2	F6	8
C12	2	F4	8	H	4
F8	3	F7	8	H1	4
G7	2	G1	2	I1	2
G8	2	J	4	I7	2
J1	2	K1	6	I8	2
K	4	N	8	P	6
		N1	2		
		V	6	Carton-5/6	
		W	8	Part	Qty
		W1	16	P5	4
		Y	134	P6	4
		U	160	P7	2
		Z	72	P8	2
		Z1	16	R1	4
		Z2	8	R2	4
		T	4 + 2	Carton-6/6	
		T1	4 + 2	Part	Qty
		1.2.3.4.5.6.7.8. 9.10.12.13.14	1	P9	6
		Za	2	R3	4
				R4	4
				S1	4
				S2	4
				S3	6