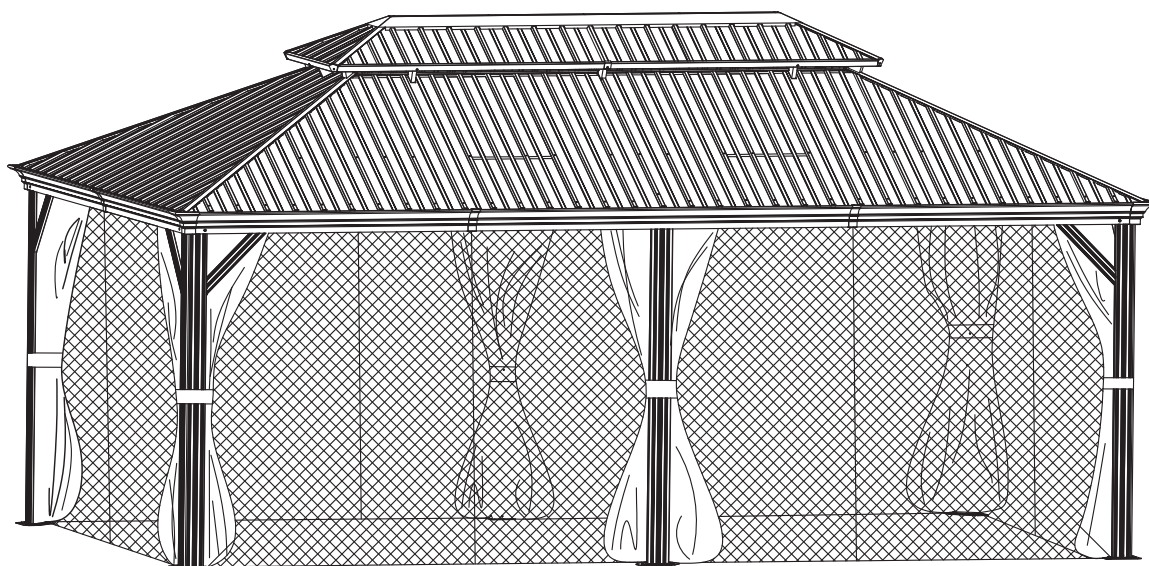


# INSTRUCTION MANUAL

## SKU: XWG-217MS-HS

### 12FT x 20FT GAZEBO



**Note: The gazebo needs to be installed in cooperation with four people. The following tools are not included and needed for assembly:**



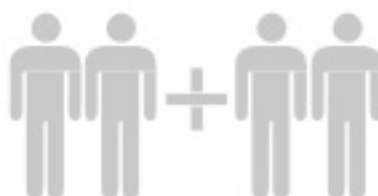
Pistol Drill



Tape Measure



2 m Adjustable Ladder










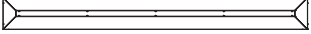


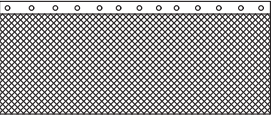
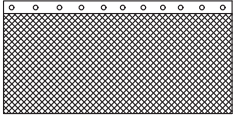
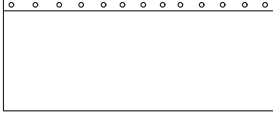
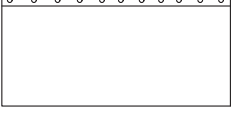


4 people


### Warning

1. Four person assembly is required for this gazebo.
2. Please take appropriate actions as heavy rain, wind and snow can damage the gazebo. If necessary please disassemble and store for later use.
3. In snowy conditions, please do not allow the thickness of the snow to be more than 5 inches on the roof, this should be cleared as soon as possible for your safety. When the wind speed reaches 61.2km/h, please take measures to avoid the wind.


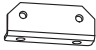

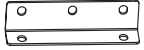
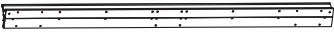
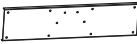







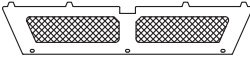




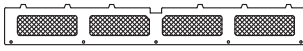





## PARTS LIST (BOX A)

<div style="border: 1px solid black; padding: 2px; width: fit-content;">C2a</div> 	<div style="border: 1px solid black; padding: 2px; width: fit-content;">C2b</div> 	<div style="border: 1px solid black; padding: 2px; width: fit-content;">D2</div> 	<div style="border: 1px solid black; padding: 2px; width: fit-content;">D3</div> 
2 PCS	2 PCS	2 PCS	2 PCS
<div style="border: 1px solid black; padding: 2px; width: fit-content;">E2</div> 	<div style="border: 1px solid black; padding: 2px; width: fit-content;">E3</div> 	<div style="border: 1px solid black; padding: 2px; width: fit-content;">J1</div> 	<div style="border: 1px solid black; padding: 2px; width: fit-content;">J2</div> 
2 PCS	2 PCS	4 PCS	4 PCS
<div style="border: 1px solid black; padding: 2px; width: fit-content;">K</div> 	<div style="border: 1px solid black; padding: 2px; width: fit-content;">K1</div> 	<div style="border: 1px solid black; padding: 2px; width: fit-content;">M</div> 	<div style="border: 1px solid black; padding: 2px; width: fit-content;">N</div> 
1 PC	1 PC	4 PCS	4 PCS
<div style="border: 1px solid black; padding: 2px; width: fit-content;">Y</div> 	<div style="border: 1px solid black; padding: 2px; width: fit-content;">Y1</div> 	<div style="border: 1px solid black; padding: 2px; width: fit-content;">Ya</div> 	<div style="border: 1px solid black; padding: 2px; width: fit-content;">Y1a</div> 
4 PCS	2 PCS	4 PCS	2 PCS



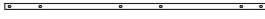
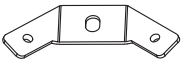
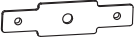


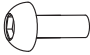
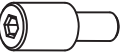

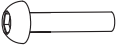

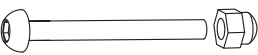

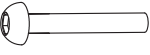



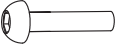


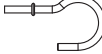
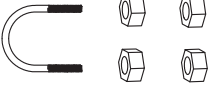




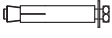

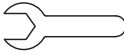
## PARTS LIST (BOX B)

<div style="border: 1px solid black; padding: 2px; width: fit-content;">A</div> 			
4 PCS			










## PARTS LIST (BOX C)

A1		A2		B		B1	
8 PCS		8 PCS		2 PCS		4 PCS	
C		F		G		H	
2 PCS		6 PCS		4 PCS		6 PCS	
H1		L		L1		N1	
6 PCS		4 PCS		2 PCS		4 PCS	
P		P1		Q1		Q2	
2 PCS		2 PCS		2 PCS		2 PCS	
Q3		Q4		Q5		R	
2 PCS		2 PCS		2 PCS		8 PCS	
R1		S		U1		U2	
2 PCS		160 PCS		2 PCS		2 PCS	


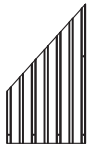
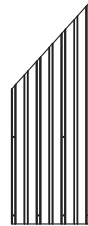

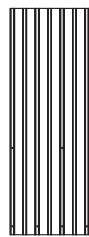
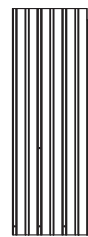
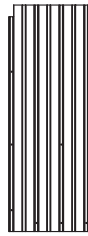
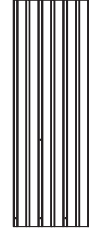
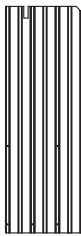
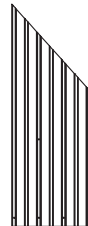
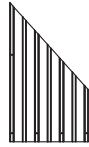

## PARTS LIST (BOX C)

<b>U3</b>	<b>U4</b>	<b>U5</b>	<b>U6</b>
			
2 PCS	2 PCS	4 PCS	4 PCS
<b>U7</b>	<b>Z</b>	<b>Z1</b>	<b>1#</b>
			 M6x16
8 PCS	68 PCS	20 PCS	311 PCS
<b>2#</b>	<b>3#</b>	<b>4#</b>	<b>5#</b>
6x20			  M6x23
28 PCS	16 PCS	152 PCS	100 PCS
<b>6#</b>	<b>7#</b>	<b>8#</b>	<b>9#</b>
  M6x47	  M6x42	 M5x16	 ST4.8x13
48 PCS	8 PCS	40 PCS	28 PCS
<b>10#</b>	<b>11#</b>	<b>12#</b>	<b>13#</b>
 M6x23	  M6x10		    
4 PCS	20 PCS	2 PCS	1 PC
<b>14#</b>			
 M6x50			
18 PCS	2 PCS	1 PC	

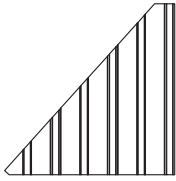
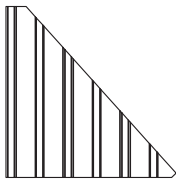
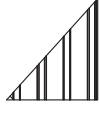
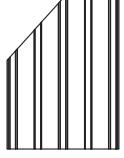
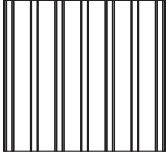
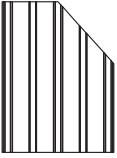


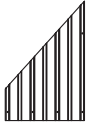
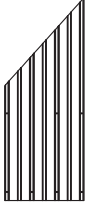
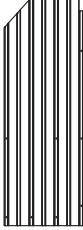
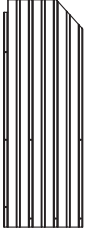
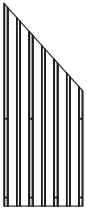
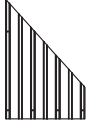

## PARTS LIST (BOX D)

C1a 	C1b 	D 	D1 
2 PCS	2 PCS	4 PCS	4 PCS
E 	E1 	T 	T1 
4 PCS	4 PCS	2 PCS	2 PCS
T2 			
2 PCS			

## PARTS LIST (BOX E)

X1 	X2 	X3 	X4 
2 PCS	2 PCS	2 PCS	2 PCS
X5 	X6 	X7 	X8 
2 PCS	2 PCS	2 PCS	2 PCS
X9 	X10 	X11 	X12 
2 PCS	2 PCS	2 PCS	2 PCS

## PARTS LIST (BOX F)

V1		V2		V3		V4	
2 PCS		2 PCS		2 PCS		2 PCS	
V5		V6		V7		W1	
8 PCS		2 PCS		2 PCS		2 PCS	
W2		W3		W4		W5	
2 PCS		2 PCS		2 PCS		2 PCS	
W6		W7		W8			
2 PCS		2 PCS		2 PCS			

STEP 01



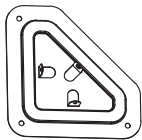
A x4



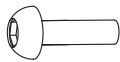
A1 x8



A2 x8



L x4



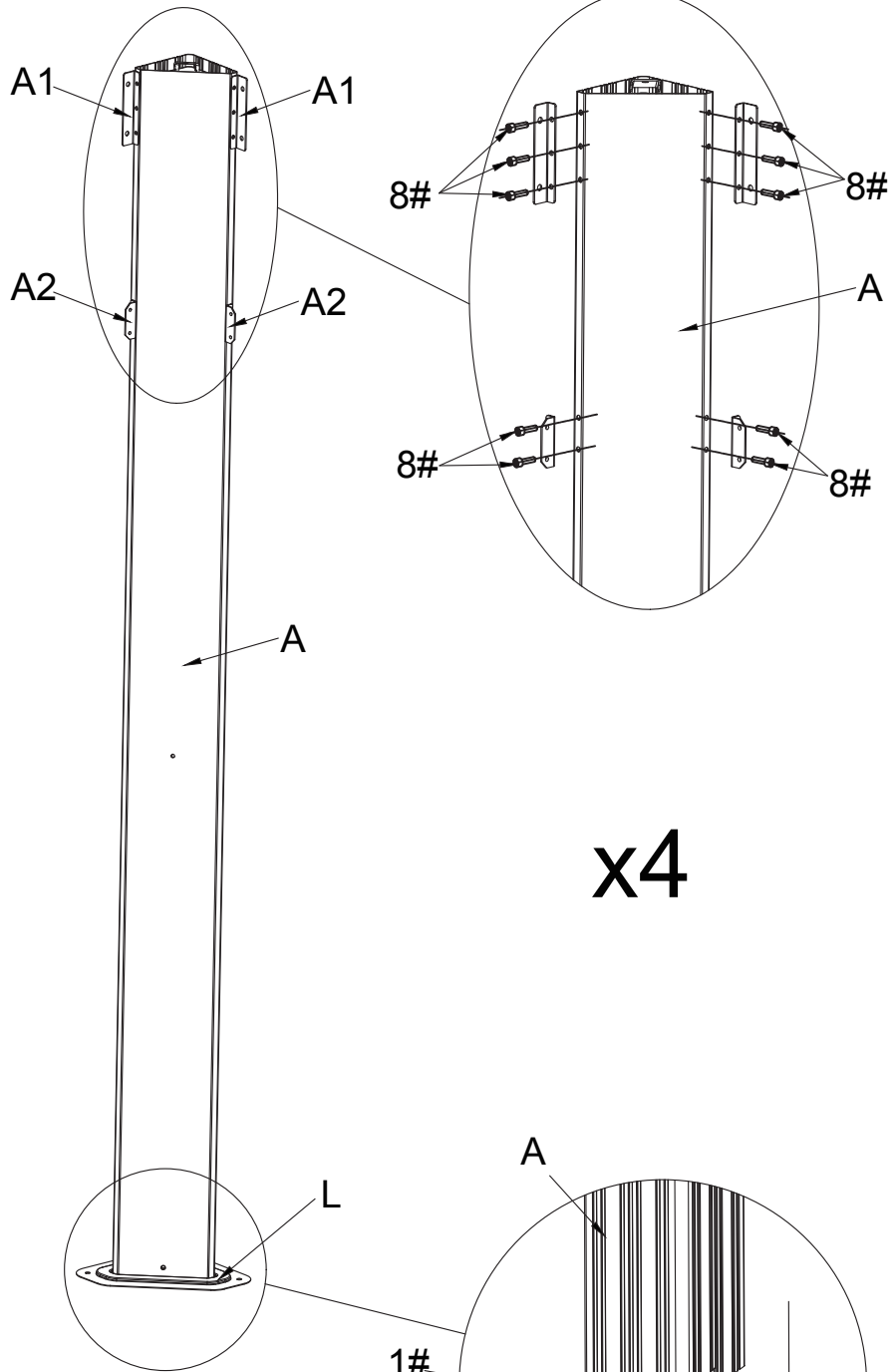
M6 x16

1# x12

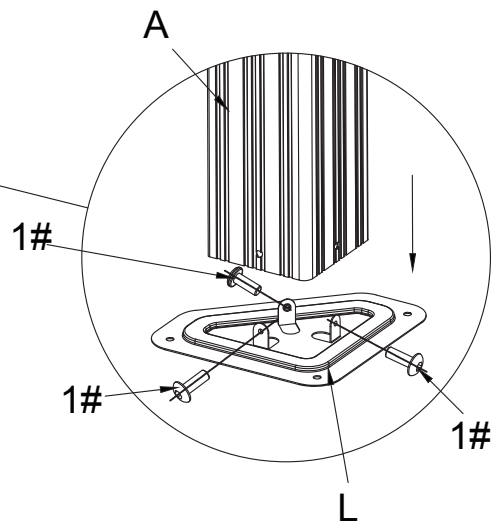


M5 x16

8# x40



x4

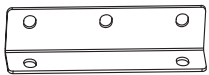




STEP 02



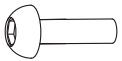
B x2



B1 x4

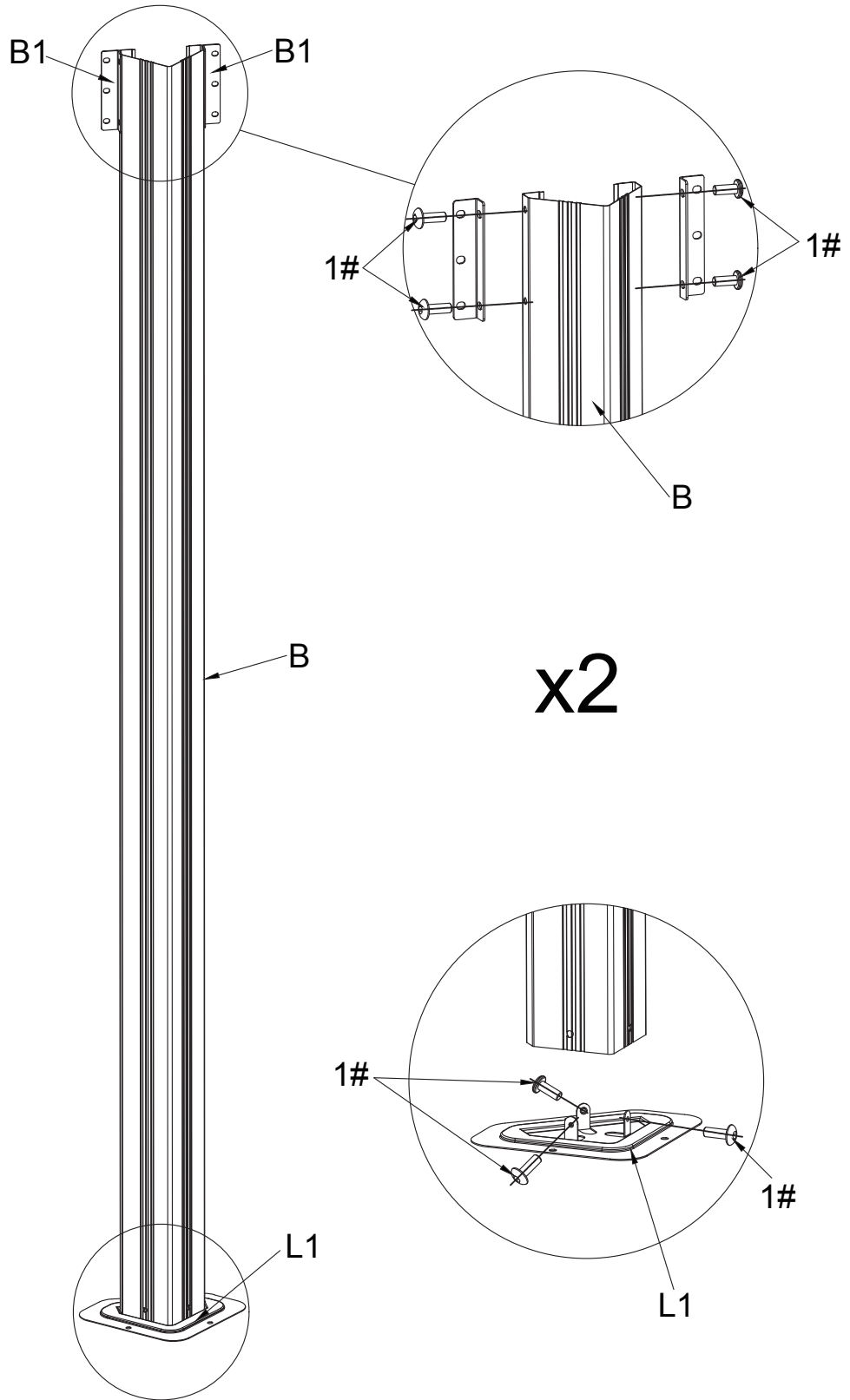


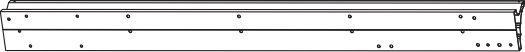

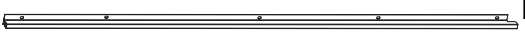





L1 x2



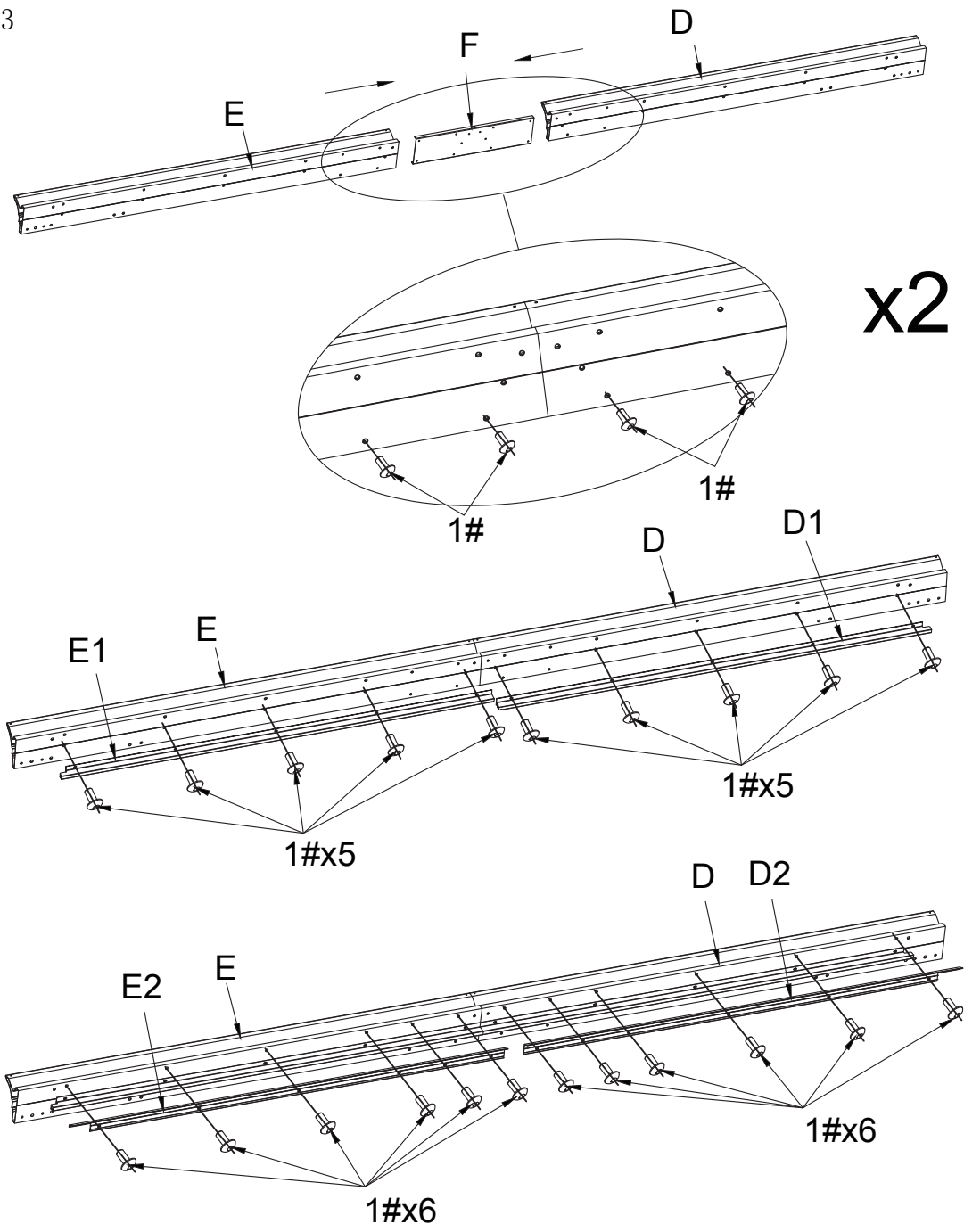
M6 x16

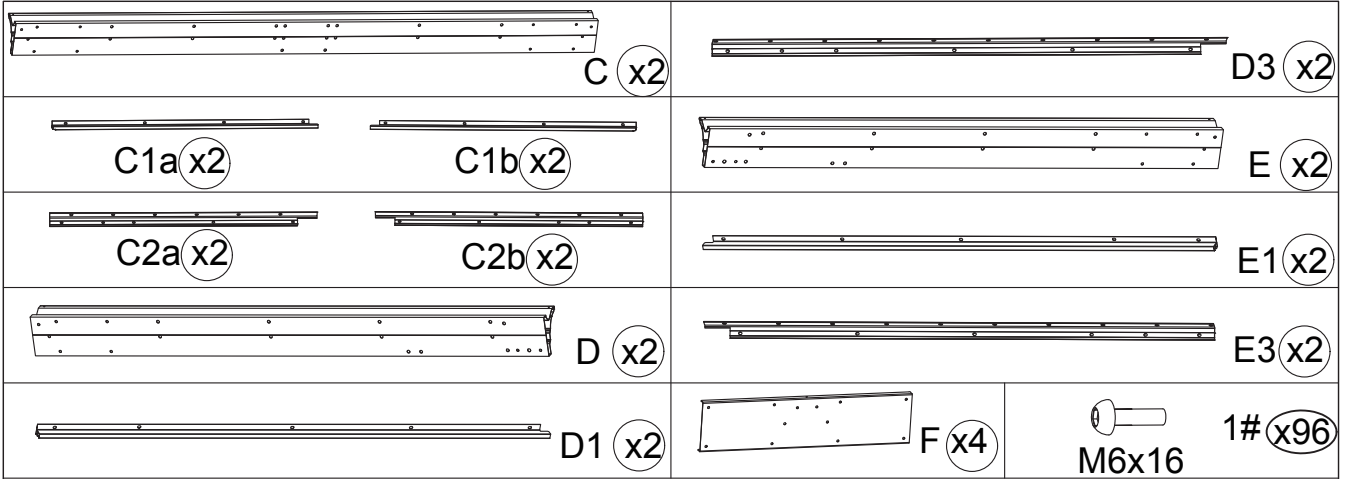
1# x14



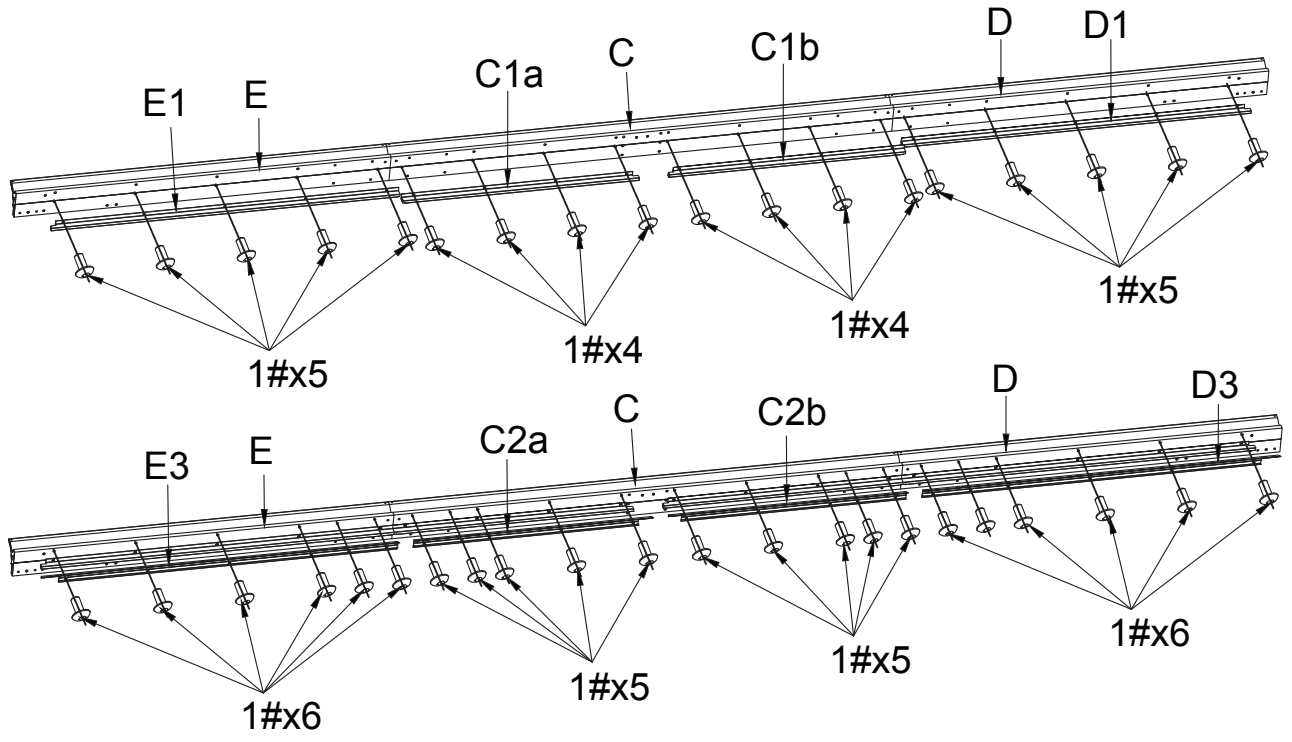
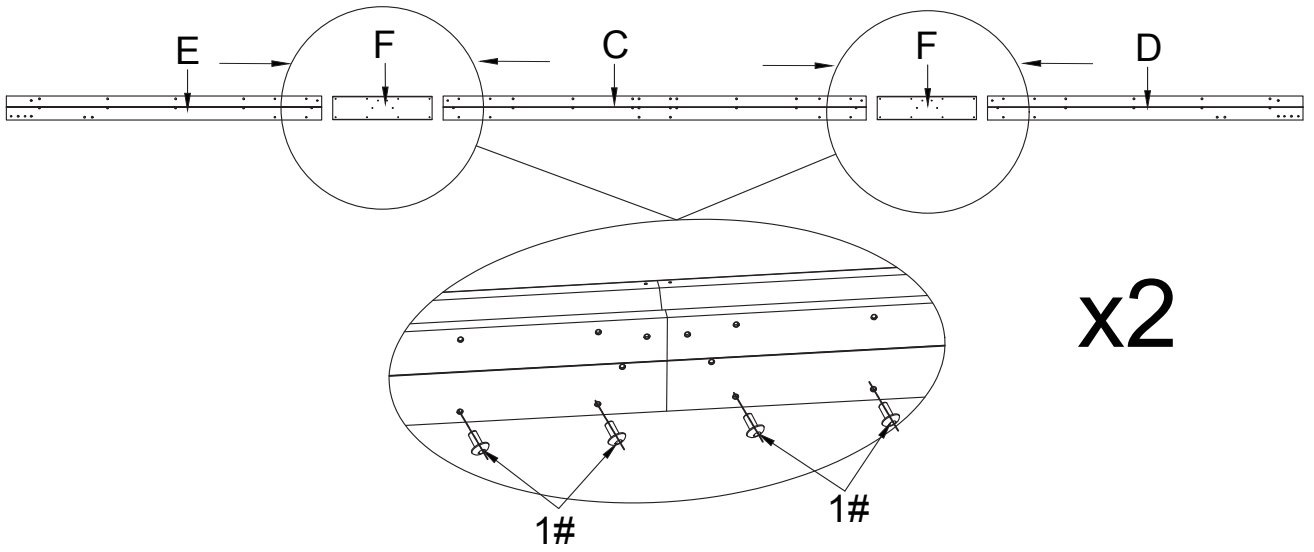
 D (x2)	 E1 (x2)
 D1 (x2)	 E2 (x2)
 D2 (x2)	 F (x2)
 E (x2)	 M6x16 1# (x52)

STEP 03

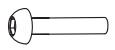




STEP 04

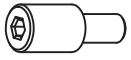


STEP 05



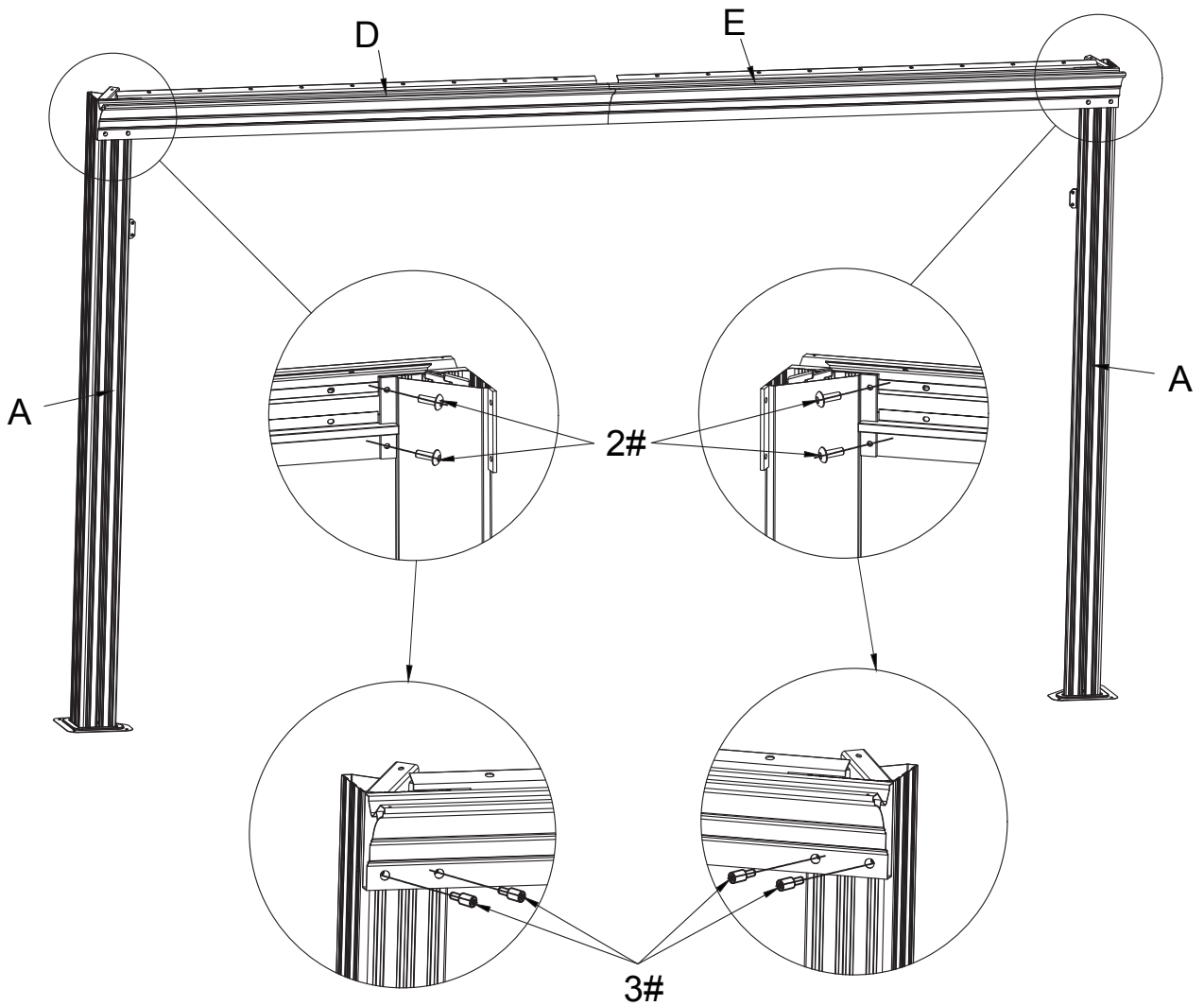
M6x20

2# (x8)

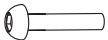
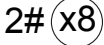




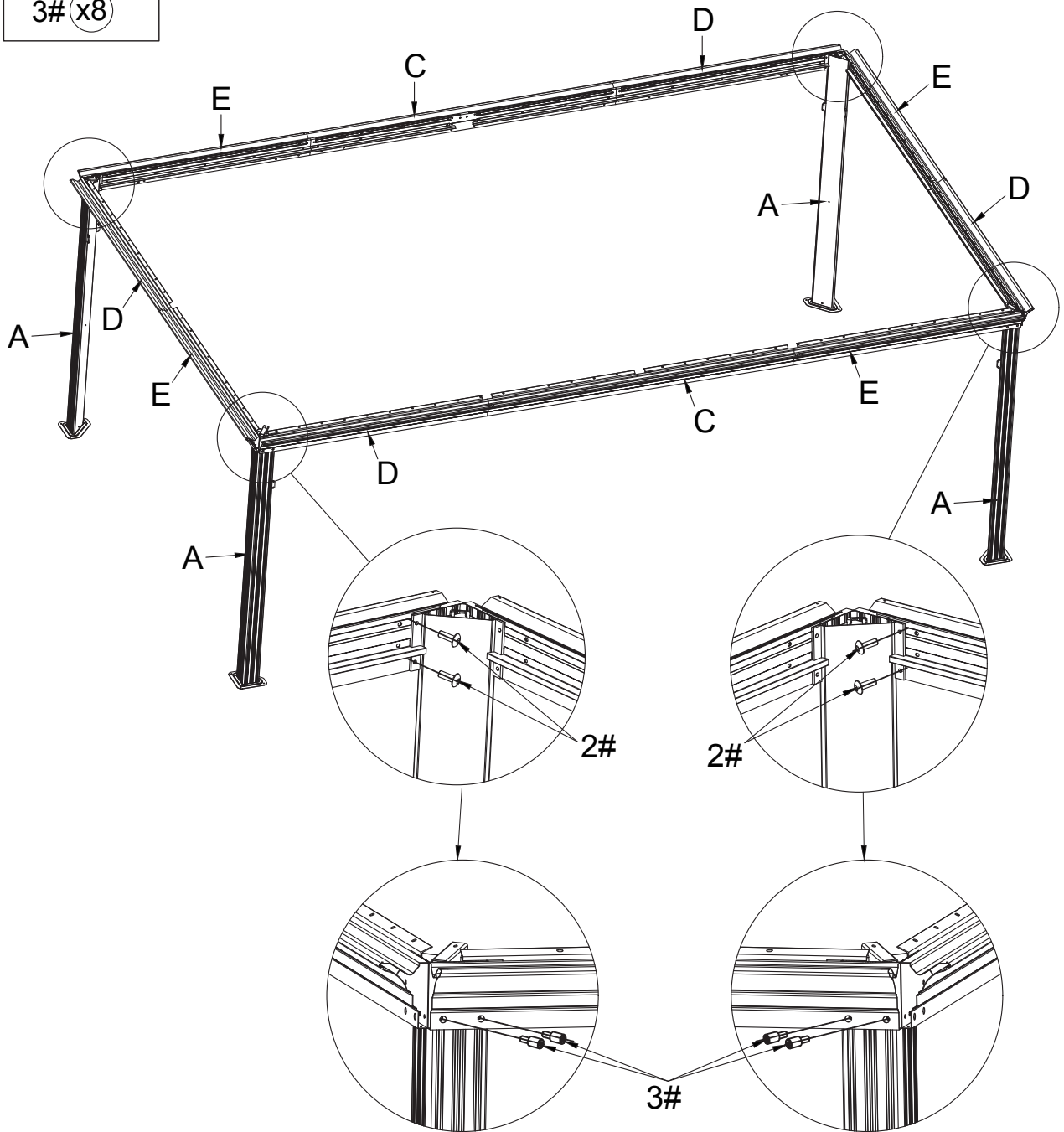
3# (x8)

x2





STEP 06

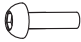
-  M6x20
-  2# x8
-  3# x8
-  3# x8




STEP 07

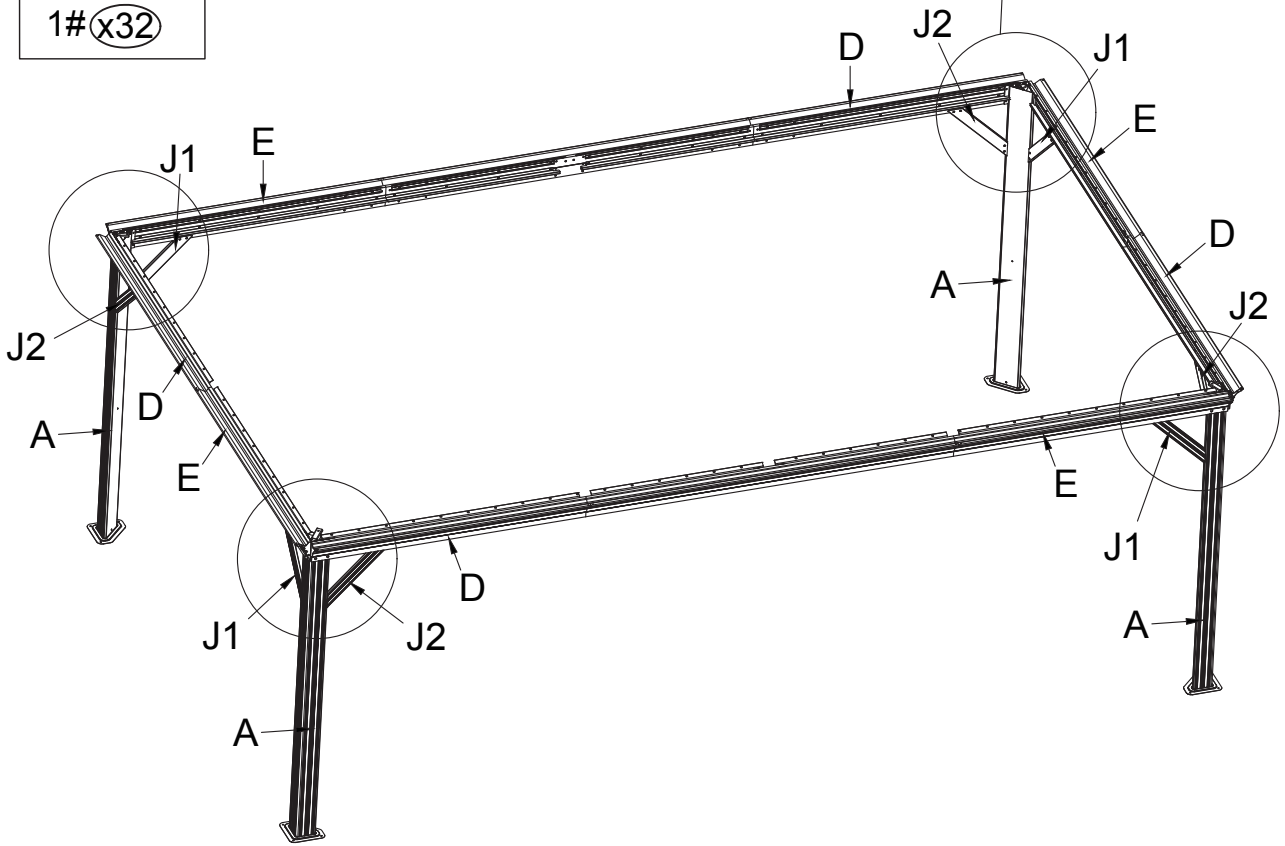
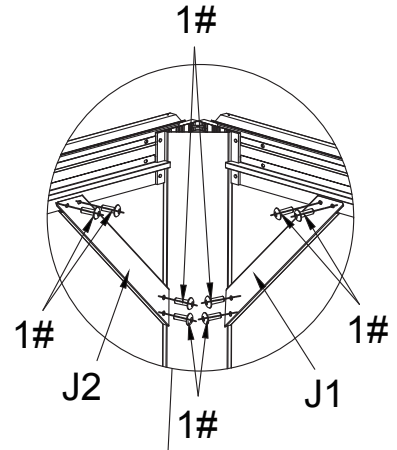
- 

J1 (x4)
- 

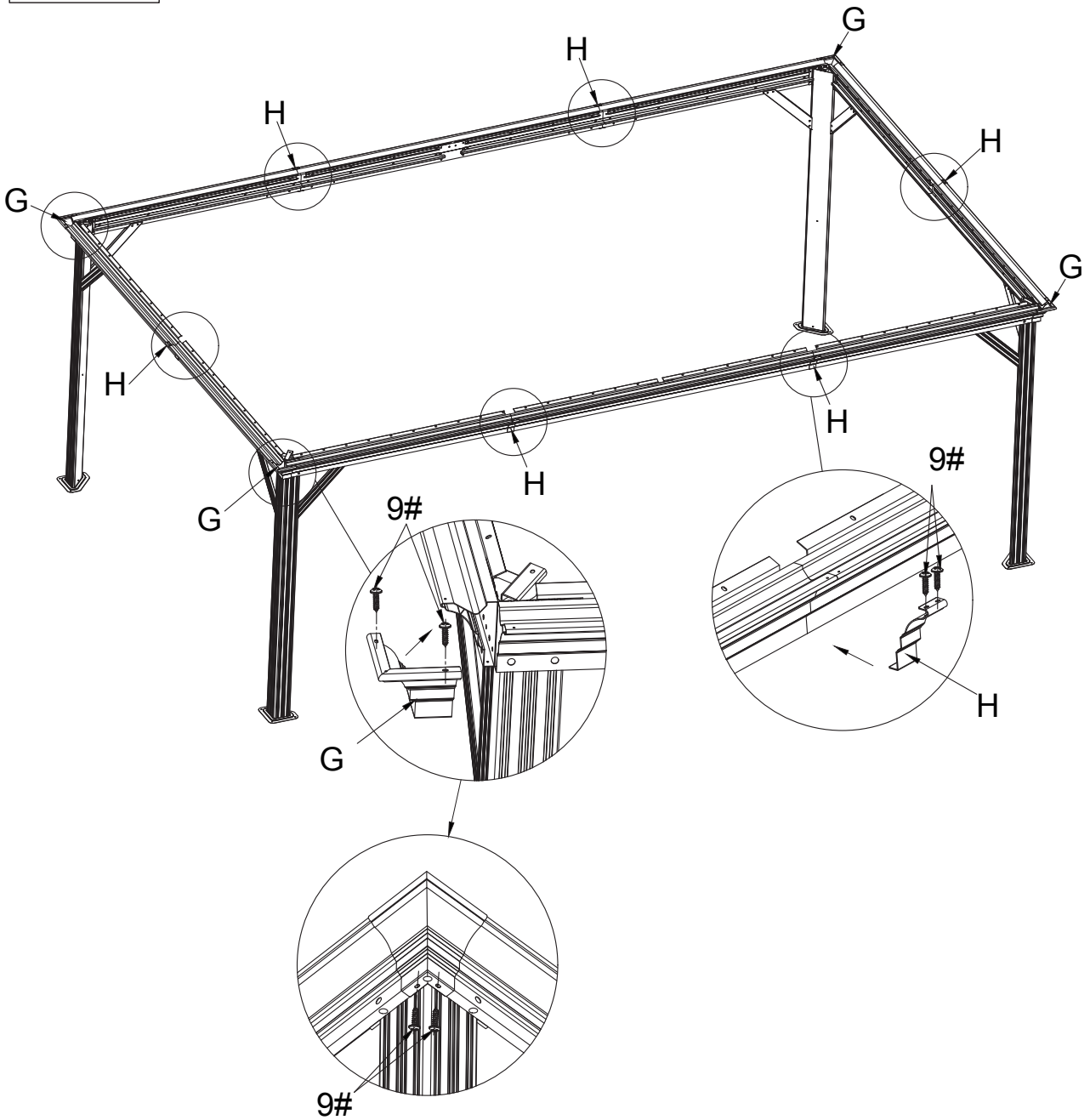
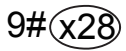
J2 (x4)
- 

M6x16
- 

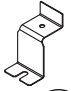


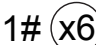
1# (x32)

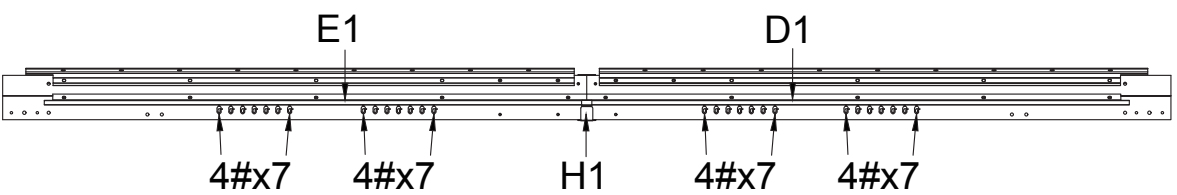
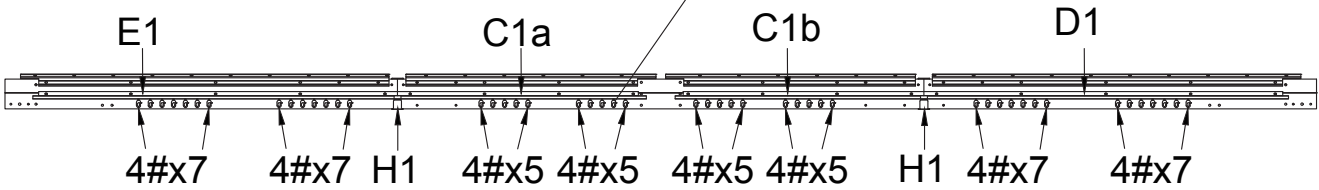
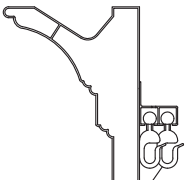
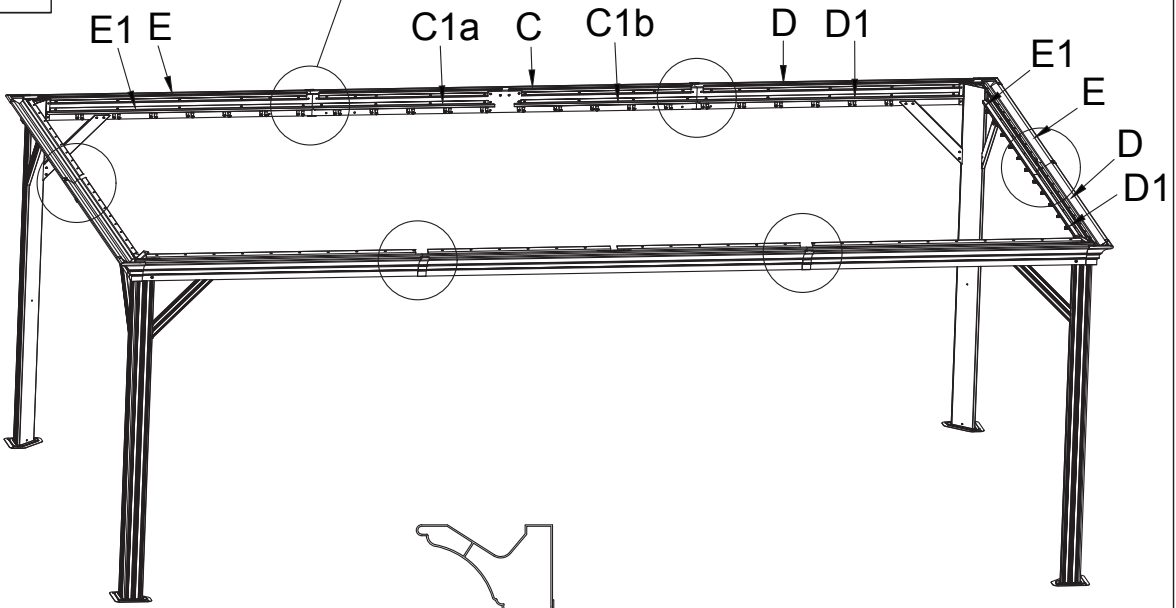
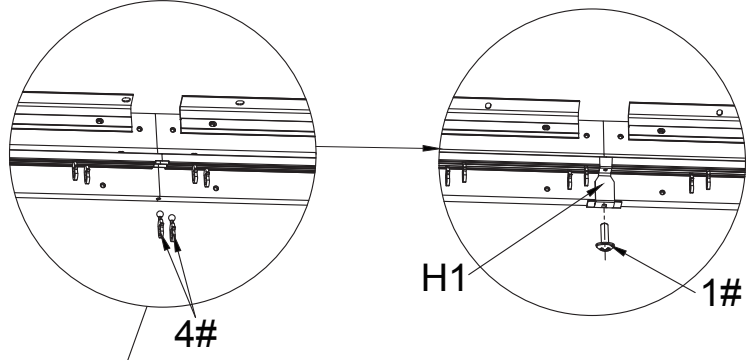


STEP 08

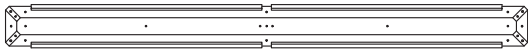


STEP 09

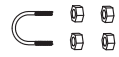
-  H1 x6
-  4# x152
-  M6x16
-  1# x6





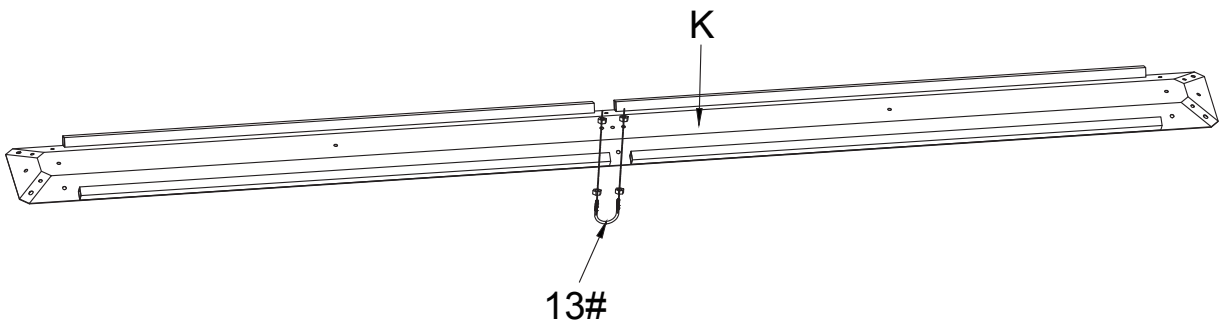


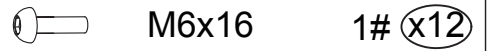
K x1



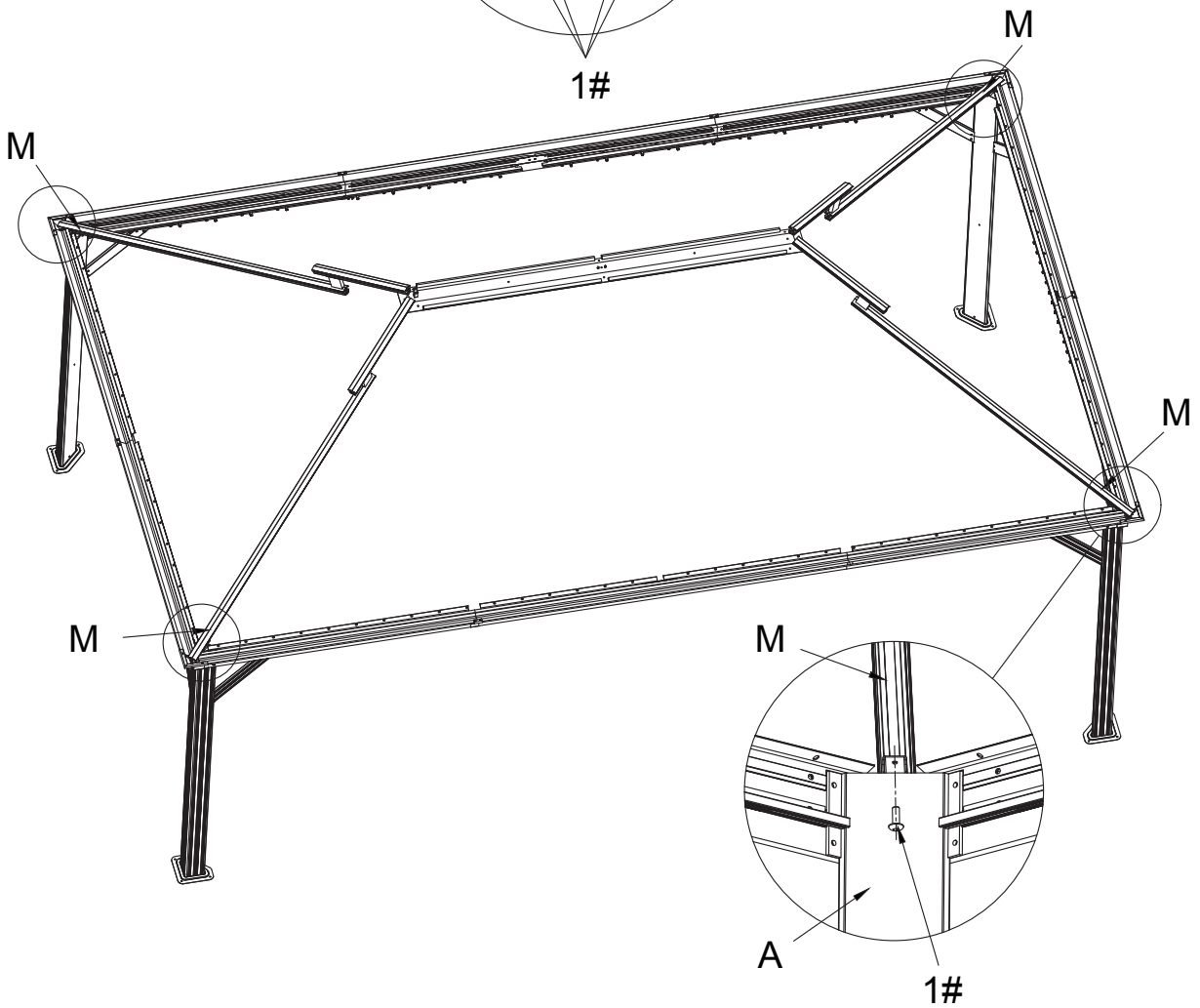
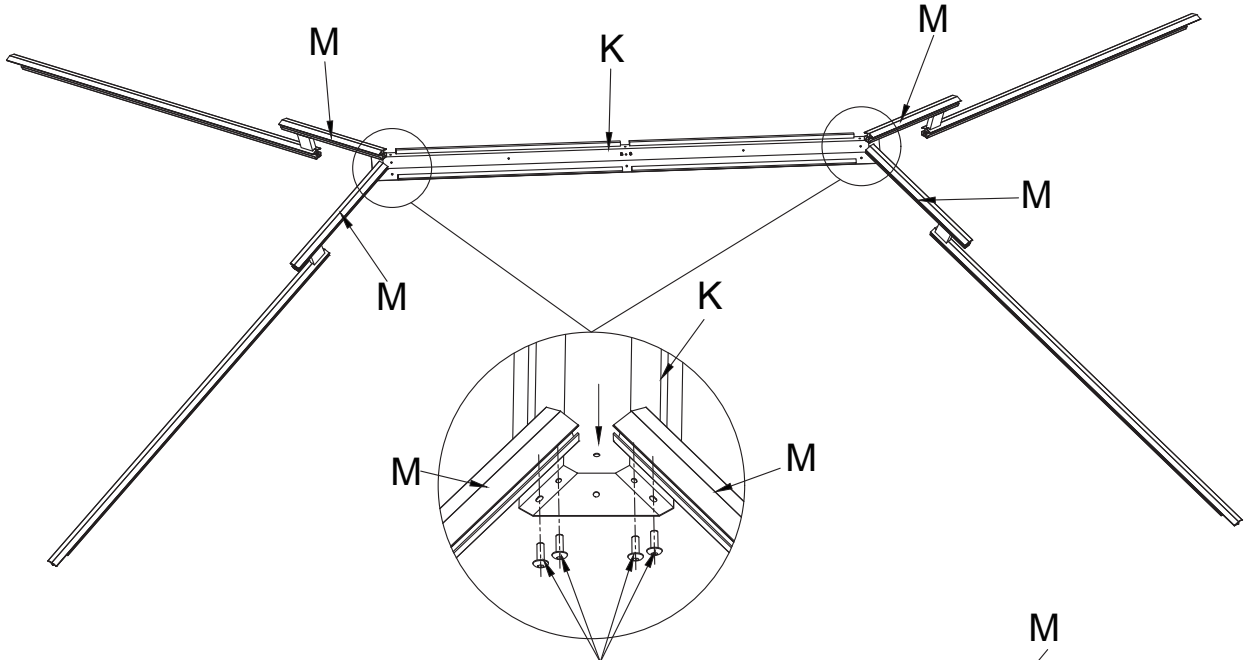
13# x1

STEP 10





STEP 11





N (x4)



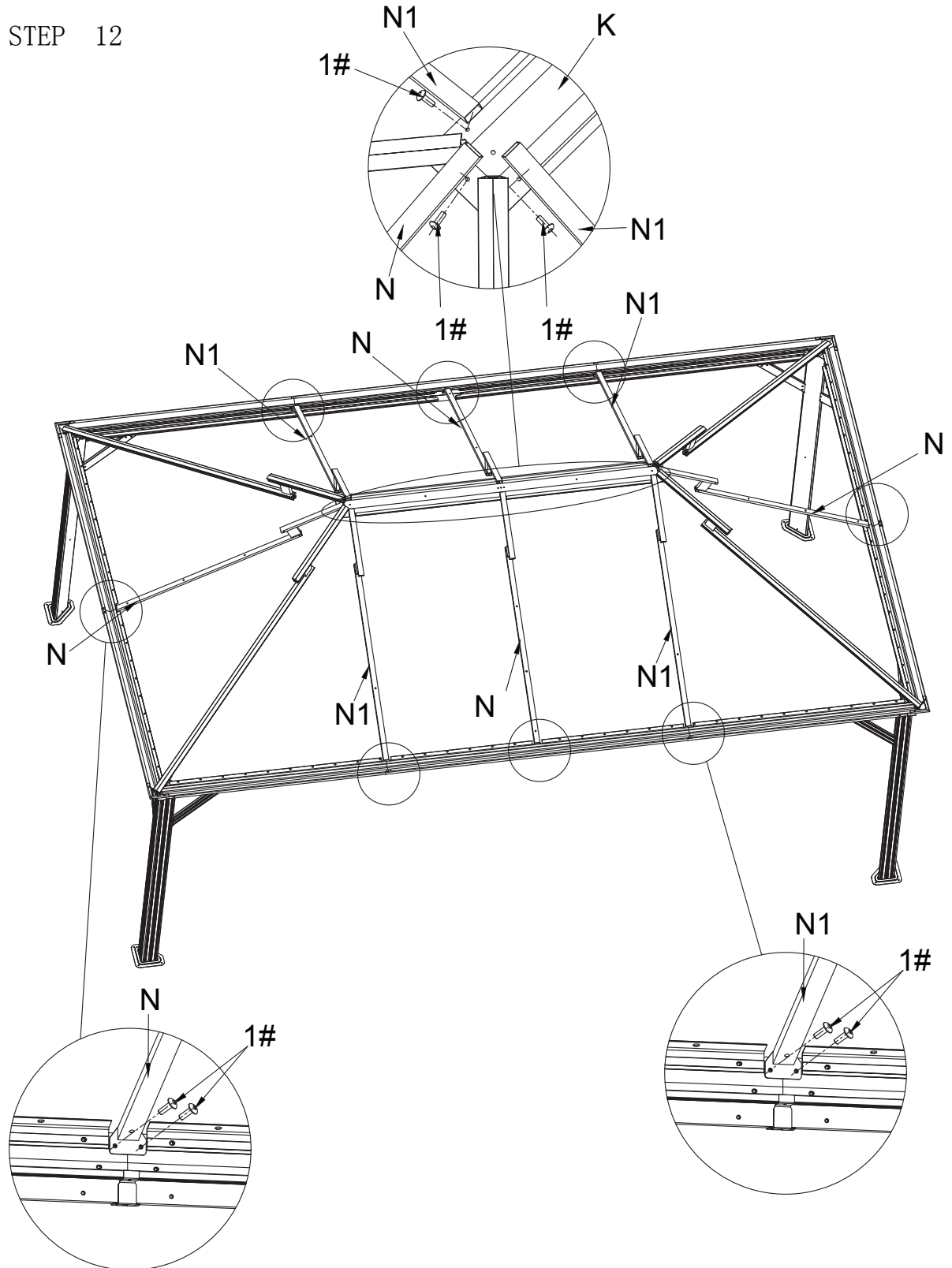
M6x16

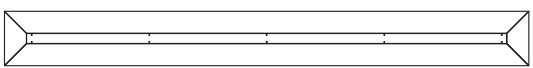
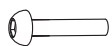
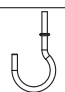
1# (x24)



N1 (x4)

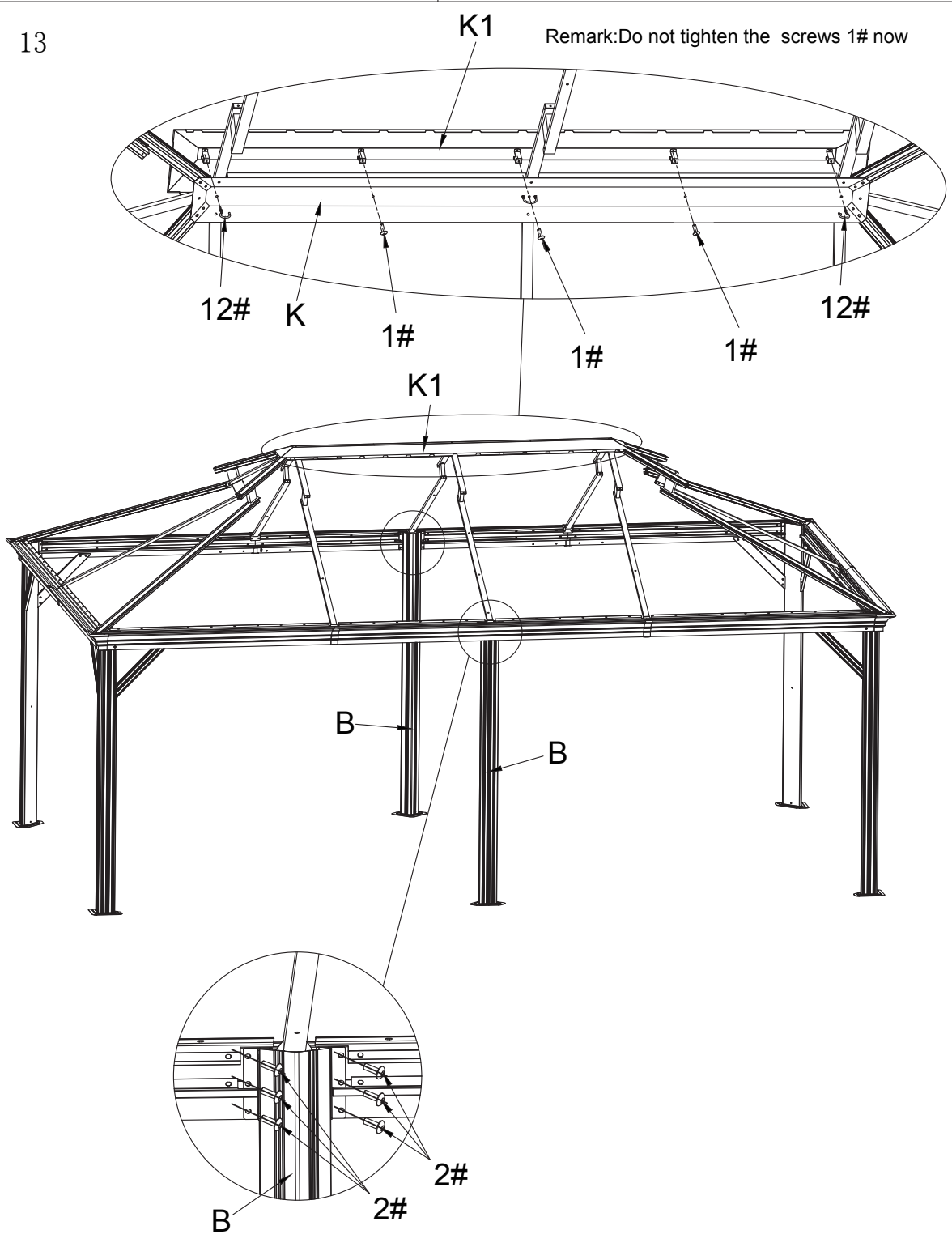
STEP 12



 K1 (x1)	 M6x20	2# (x12)
 M6x16	1# (x3)	 12# (x2)

STEP 13

Remark: Do not tighten the screws 1# now





P (x2)



R (x4)



Q1 (x2)



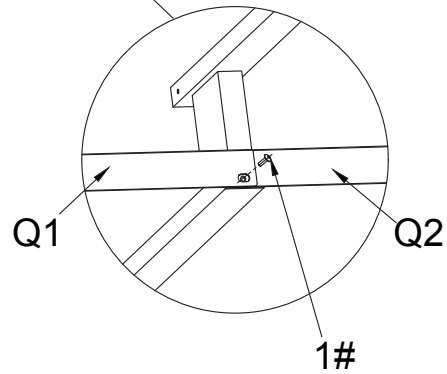
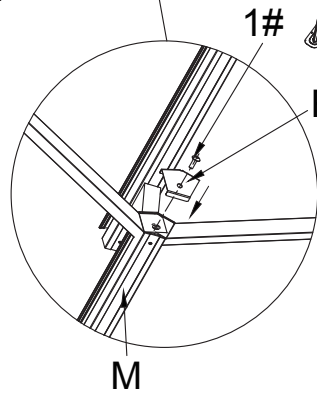
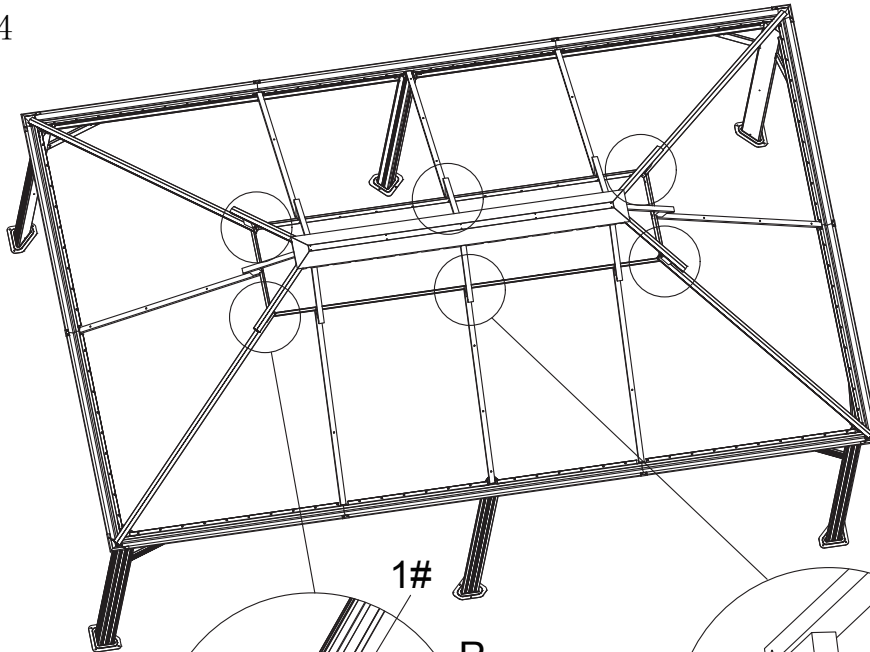
M6x16

1# (x6)

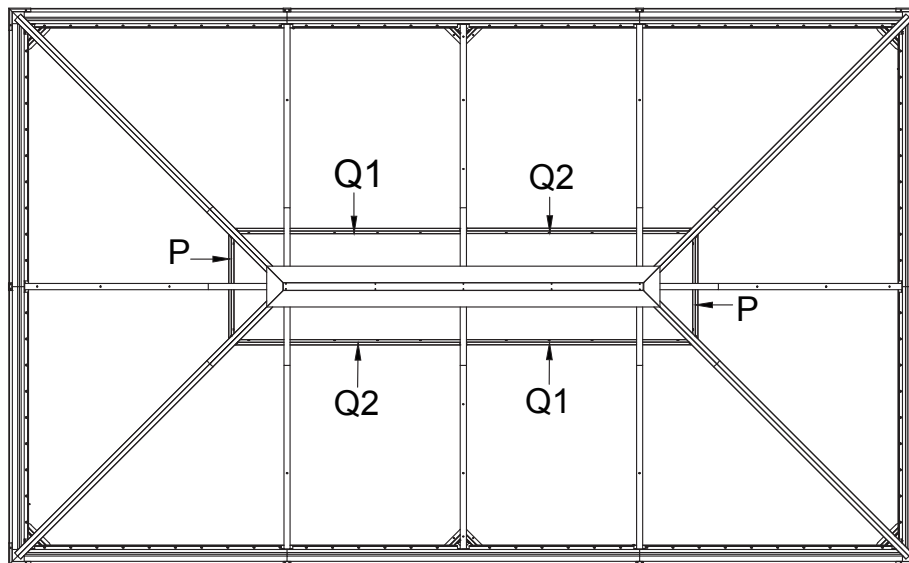


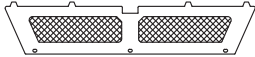
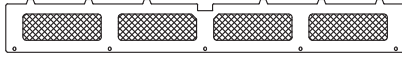
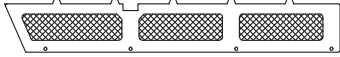

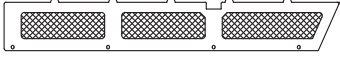

Q2 (x2)

STEP 14

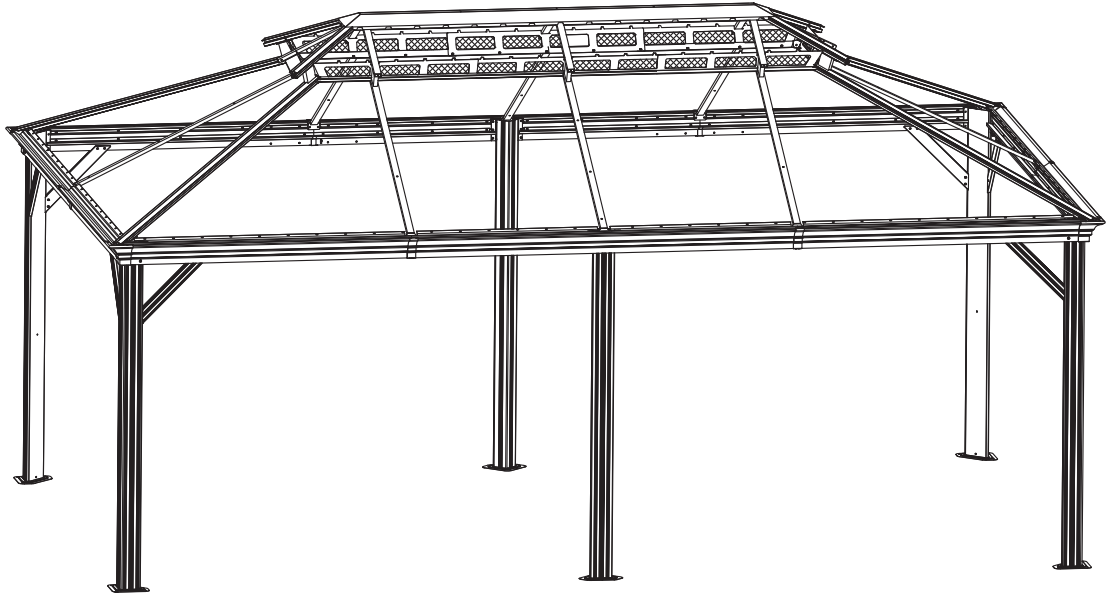


Remark: Do not tighten the screws now

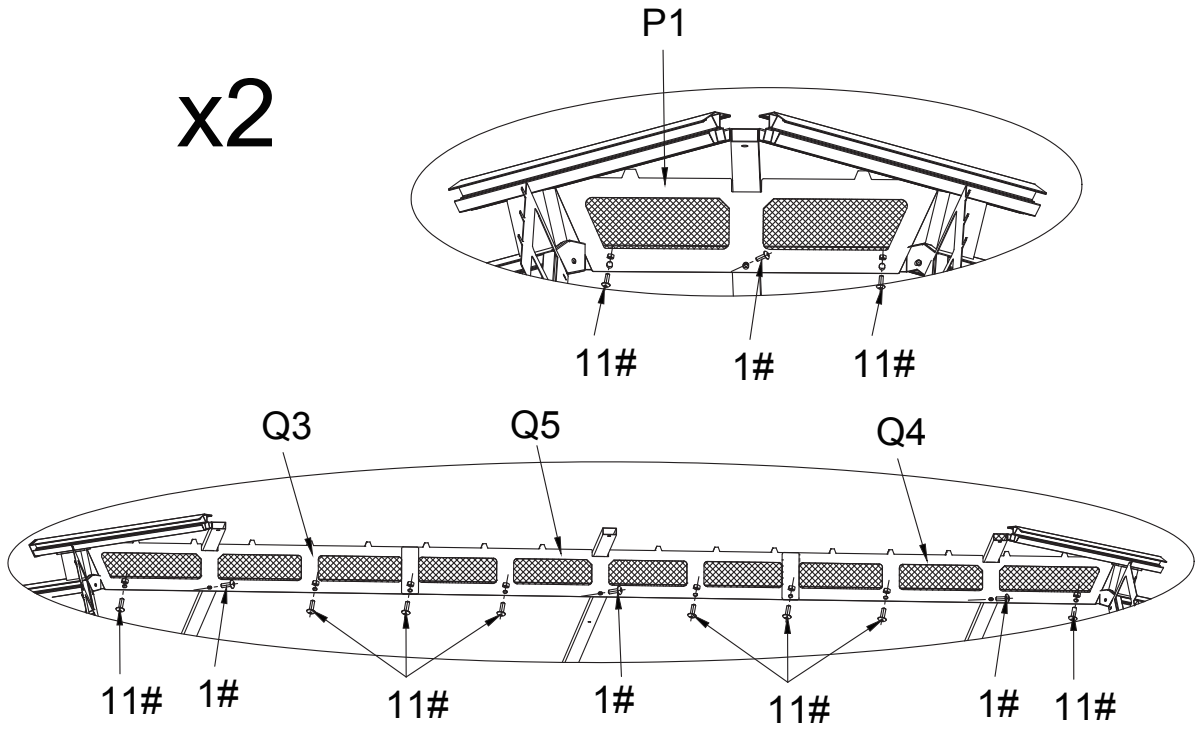


	P1 (x2)		Q5 (x2)
	Q3 (x2)		1# (x6)
	Q4 (x2)		11# (x20)






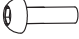
STEP 15



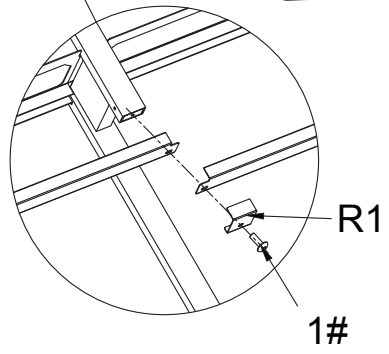
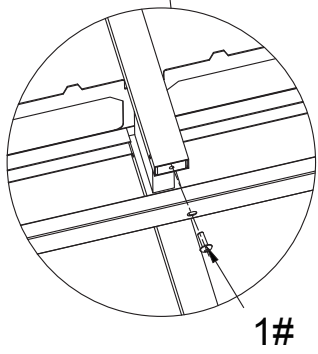
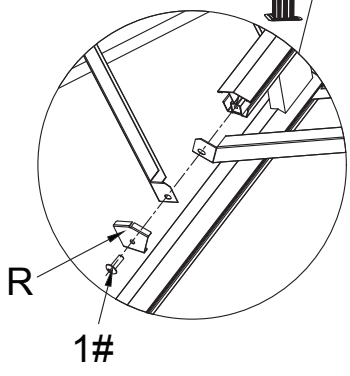
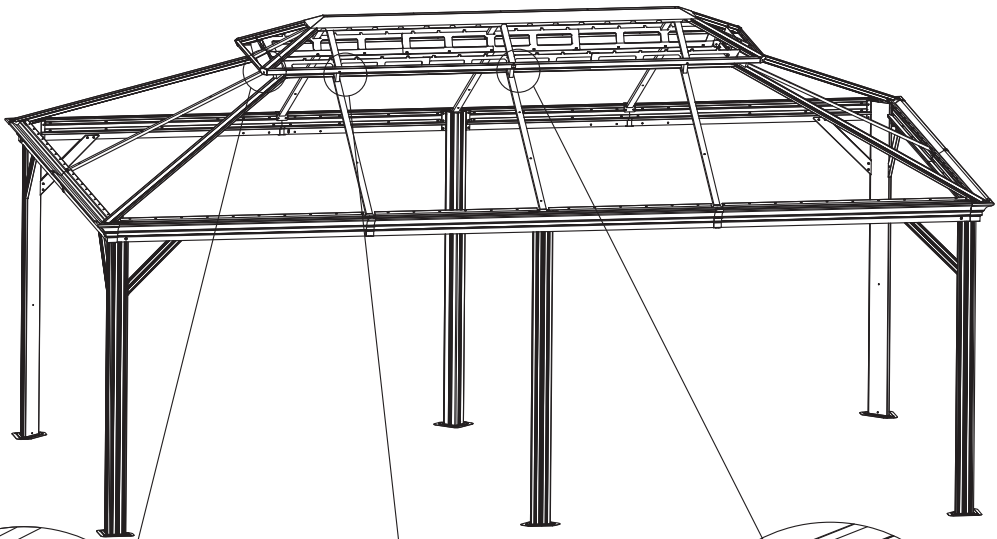
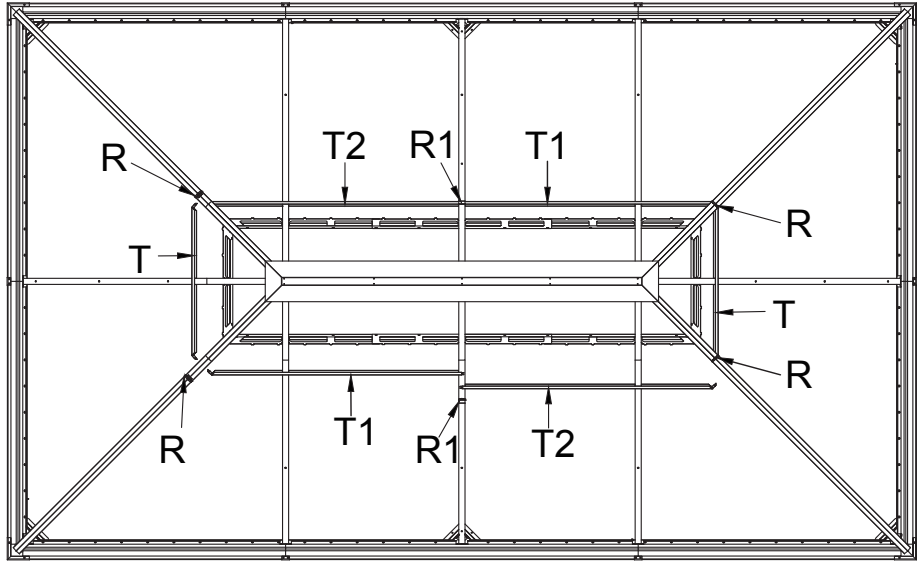
x2












Remark: Loose the screw 1#, put into Q3, Q4 and Q5, then tight the screws 1#.

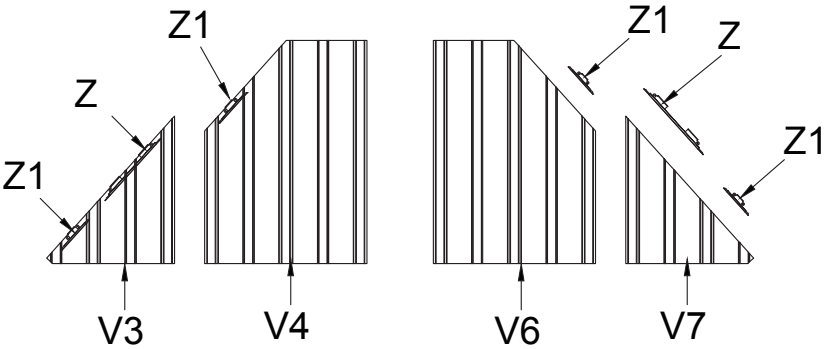
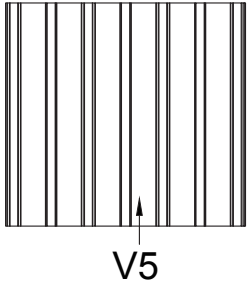
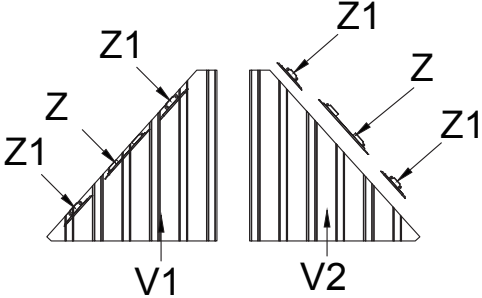
	T (x2)		R (x4)
	T1 (x2)		R1 (x2)
	T2 (x2)		M6x16 1# (x12)

STEP 16



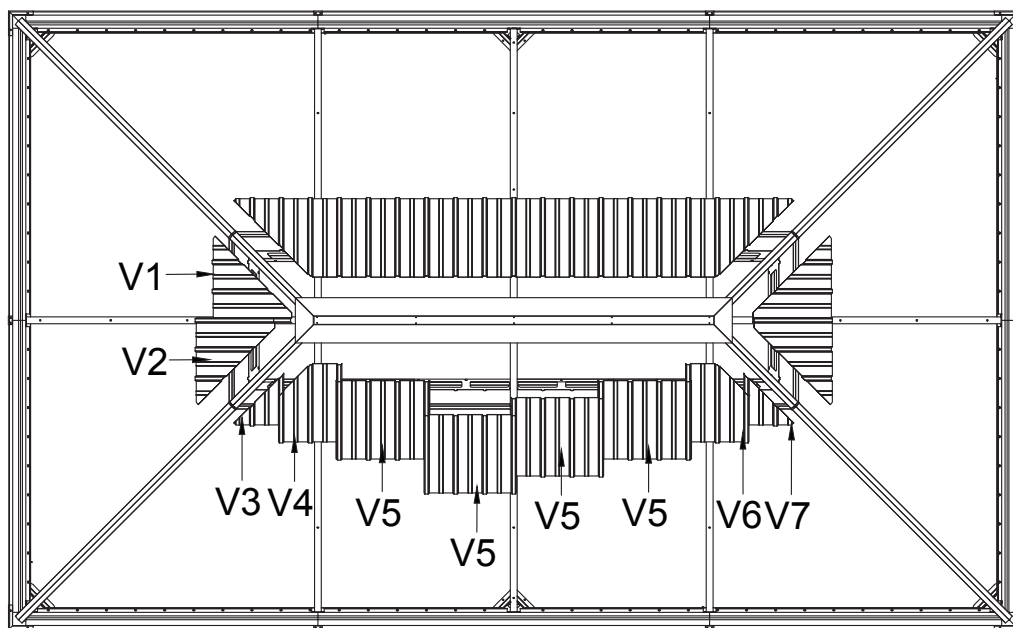
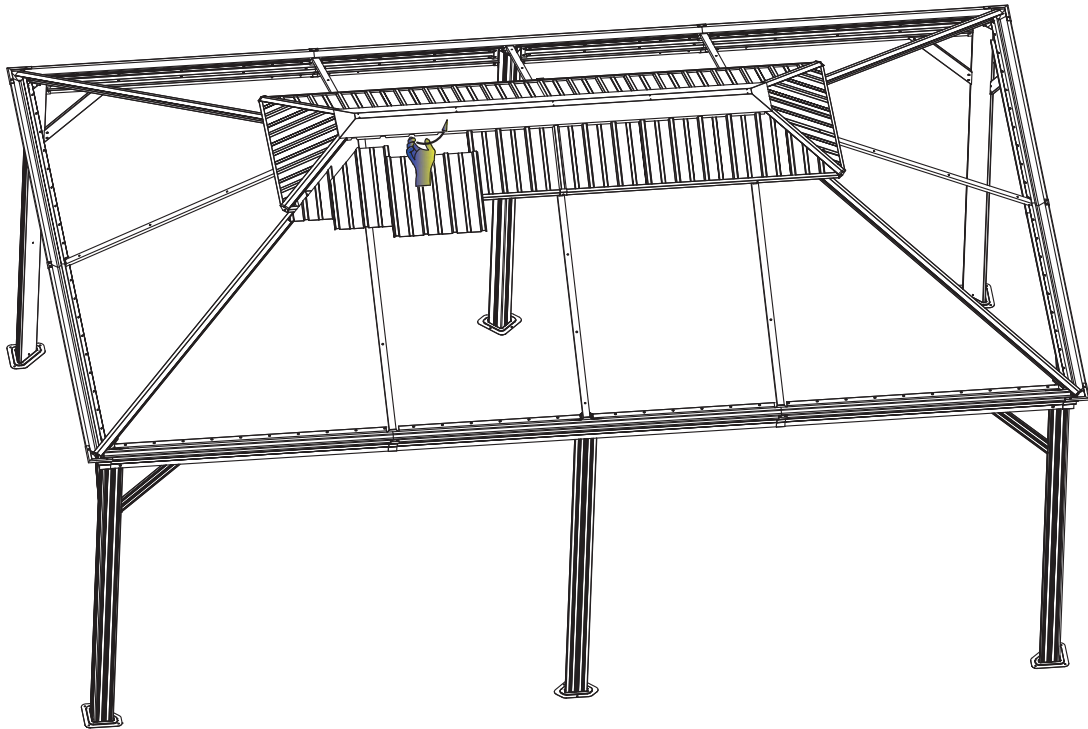
	V1 (x2)		V6 (x2)
	V2 (x2)		V7 (x2)
	V3 (x2)		Z (x8)
	V4 (x2)		Z1 (x16)
	V5 (x8)		

STEP 17



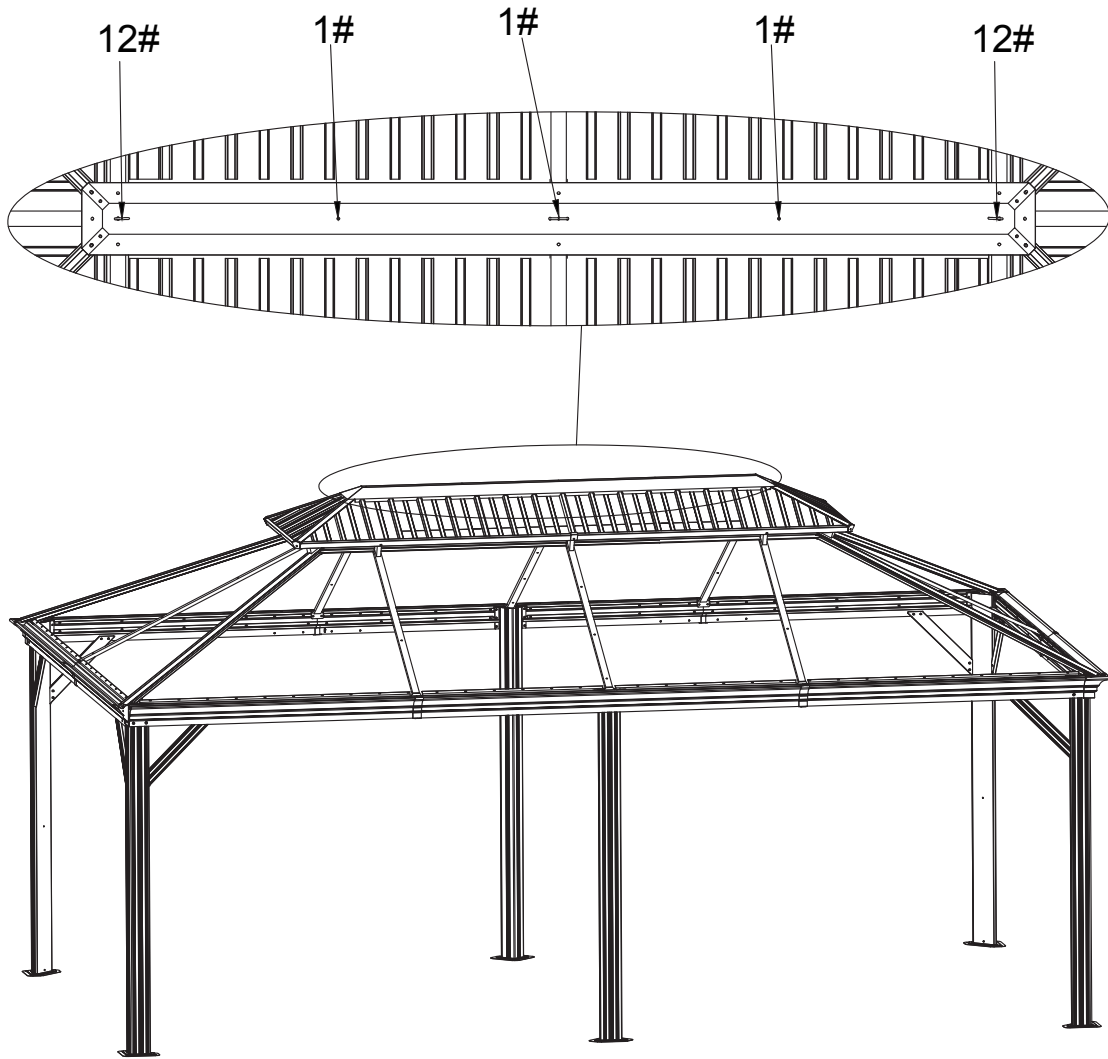




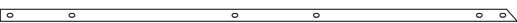


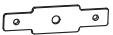


STEP 18



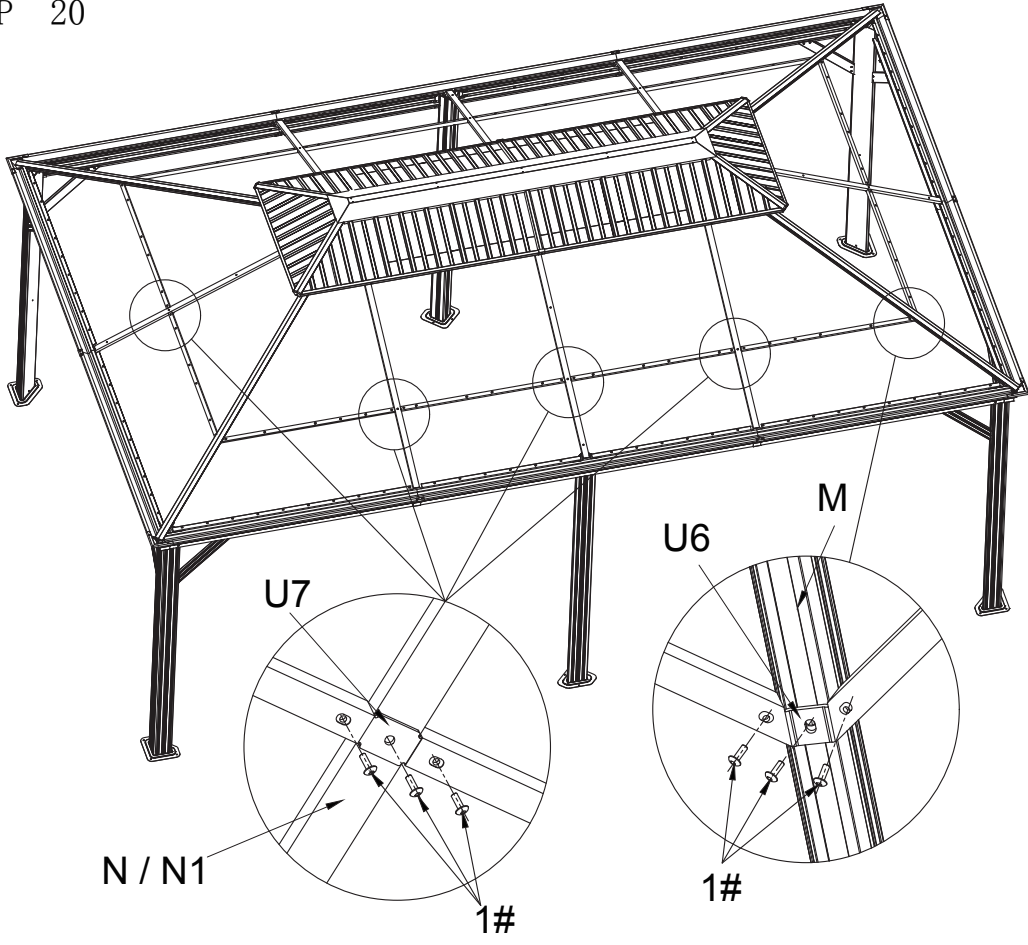
STEP 19

Remark: Tight the screw 1# and 12#



 U1 (x2)	 U5 (x4)
 U2 (x2)	 U6 (x4)
 U3 (x2)	 U7 (x8)
 U4 (x2)	 M6x16 1# (x36)

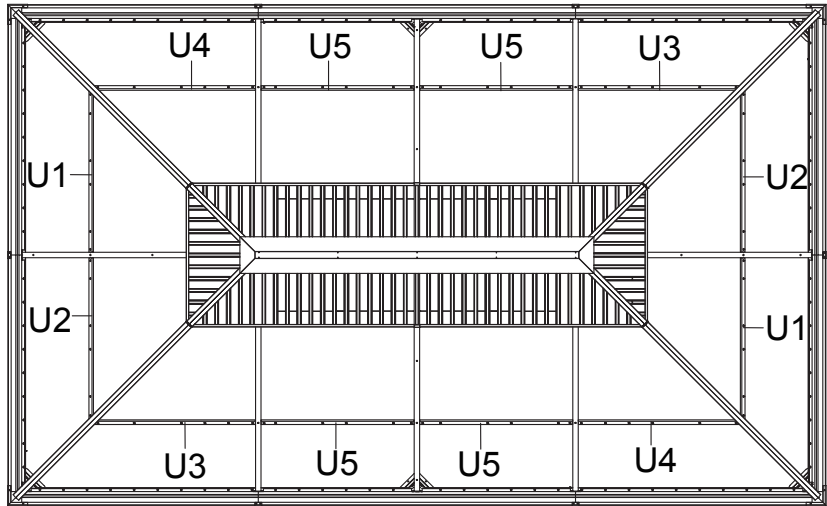
STEP 20












N / N1

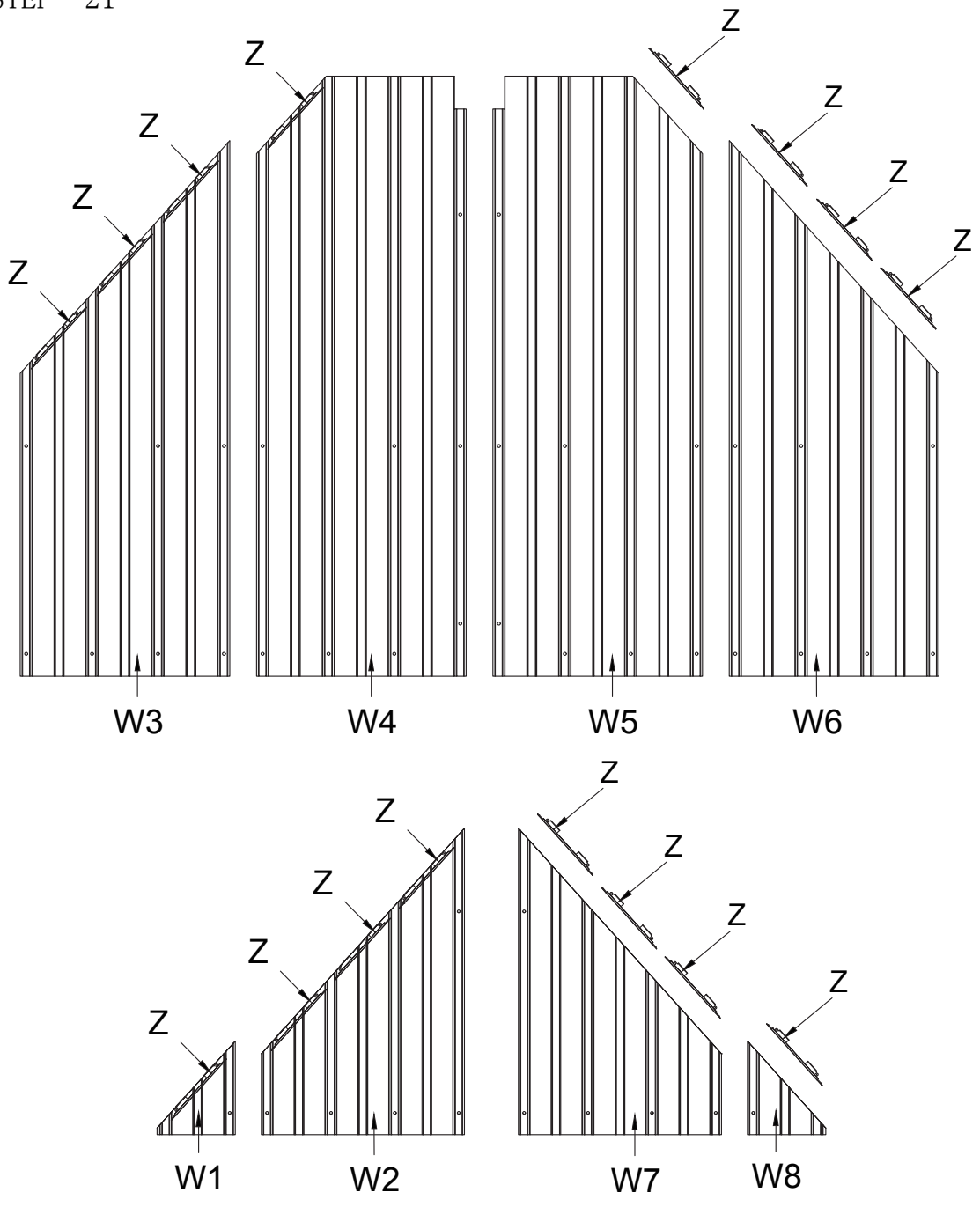
1#















1#



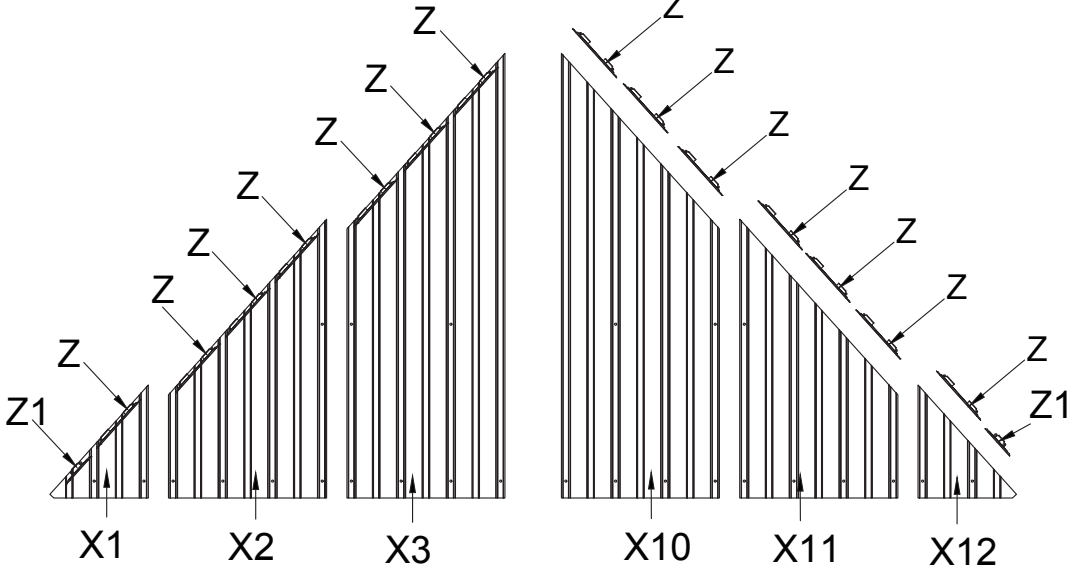
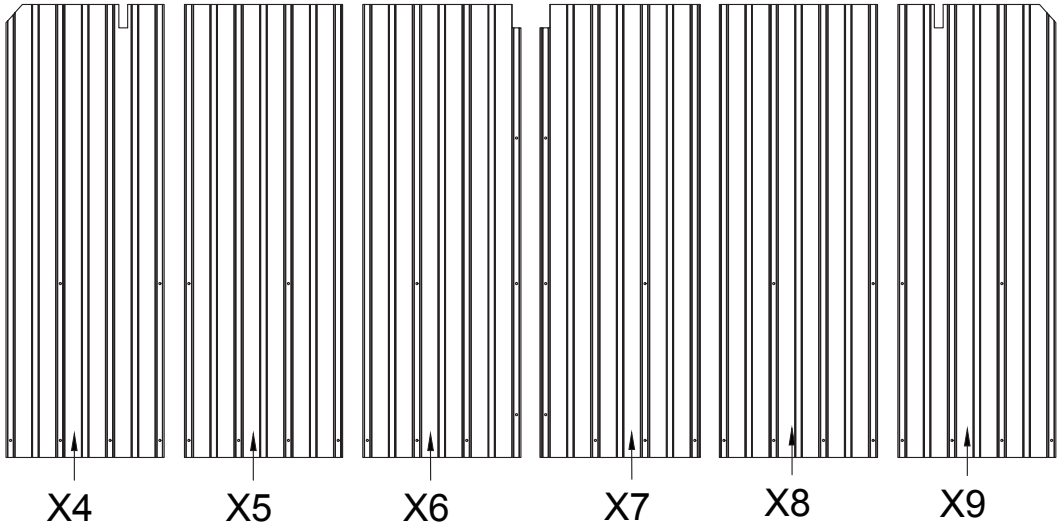
	W1(x2)		W6(x2)
	W2(x2)		W7(x2)
	W3(x2)		W8(x2)
	W4(x2)		Z(x32)
	W5(x2)		

STEP 21

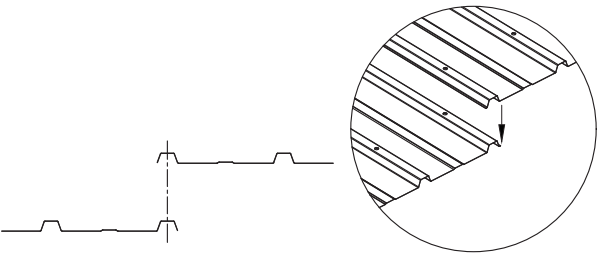
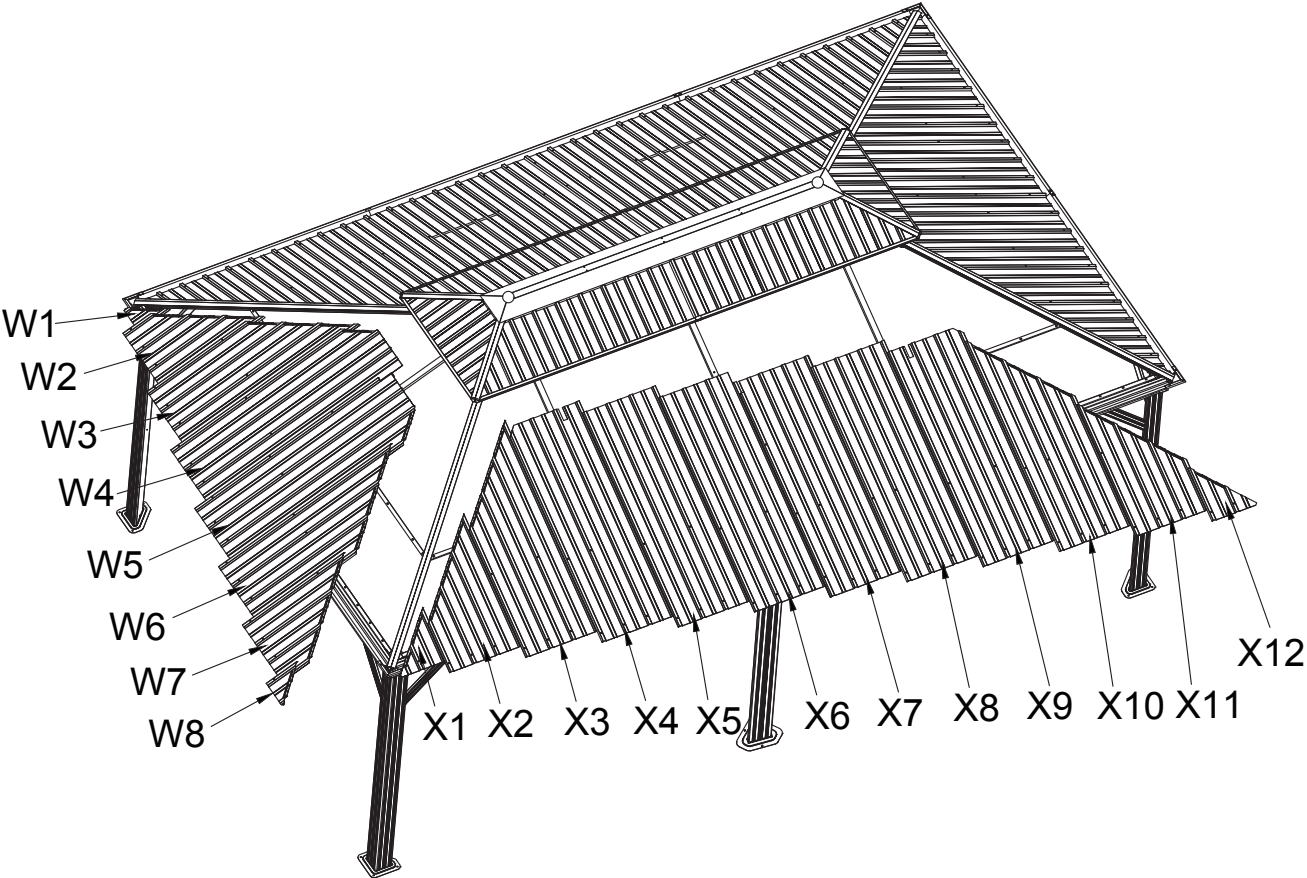


	X1 (x2)		X8 (x2)
	X2 (x2)		X9 (x2)
	X3 (x2)		X10 (x2)
	X4 (x2)		X11 (x2)
	X5 (x2)		X12 (x2)
	X6 (x2)		Z (x28)
	X7 (x2)		Z1 (x4)

STEP 22



STEP 23



STEP 24

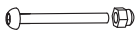


S x160



M6x23

5# x100



M6x47

6# x48



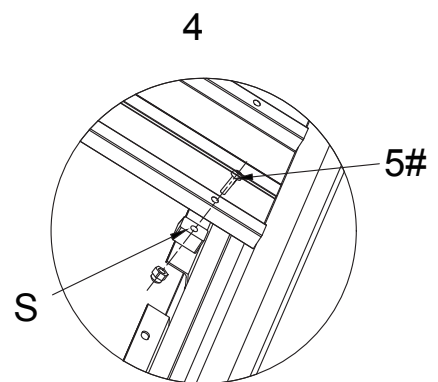
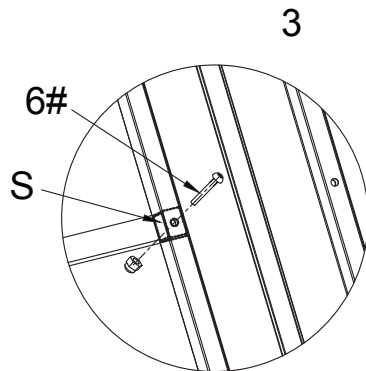
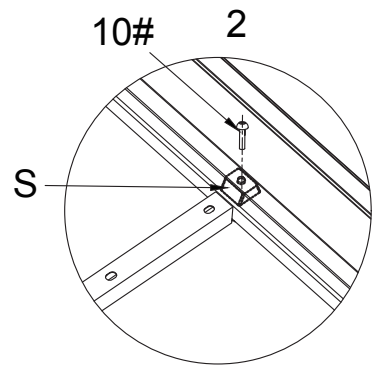
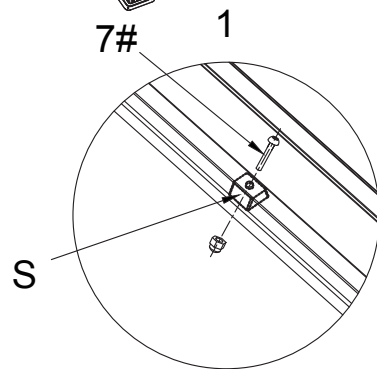
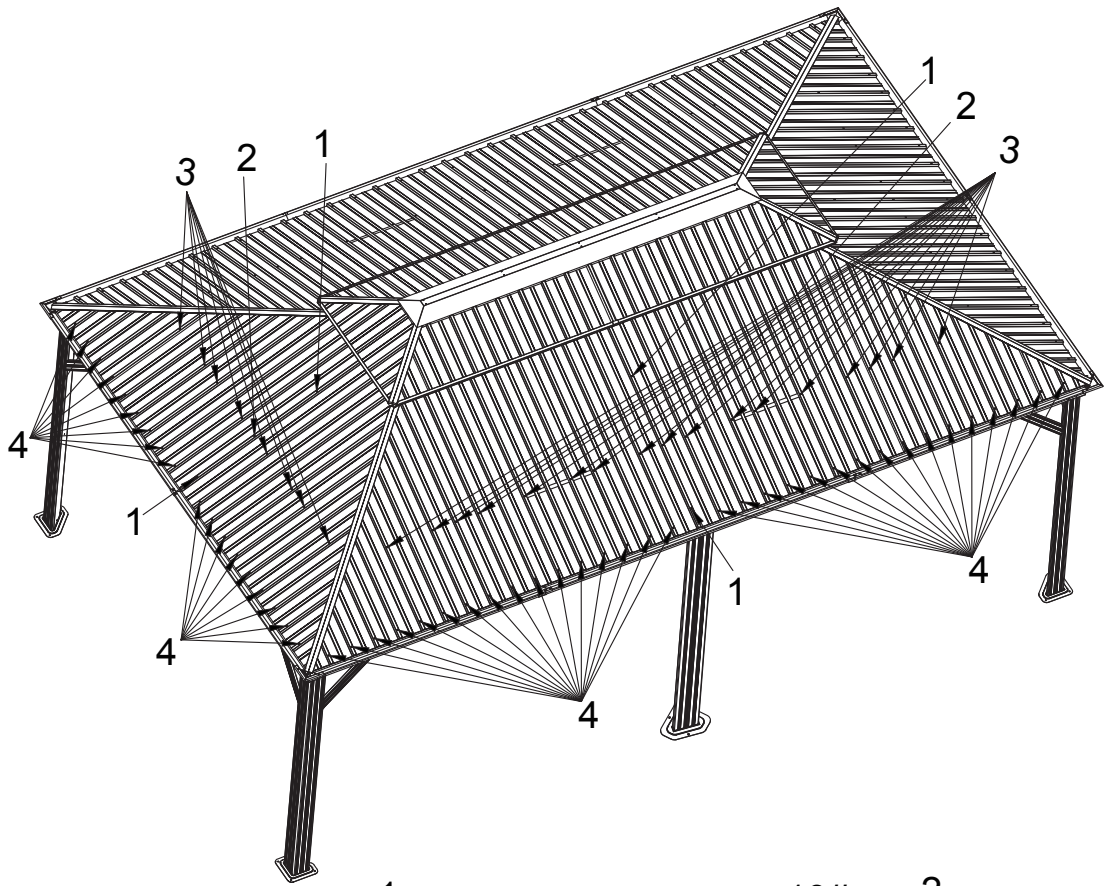
M6x42

7# x8

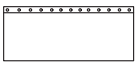
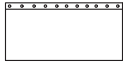


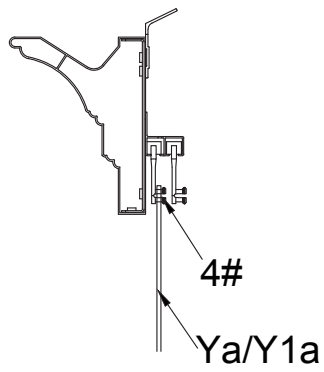
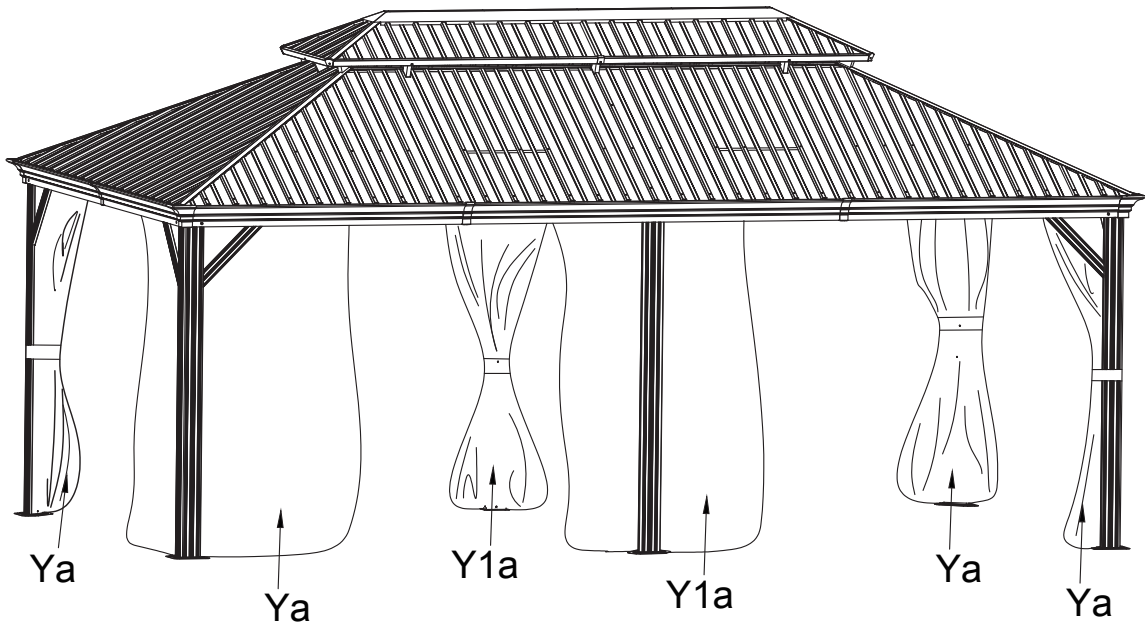
M6x23

10# x4



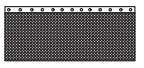
STEP 25


Ya (x4)

Y1a (x2)

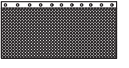




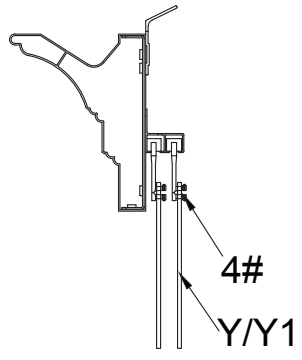
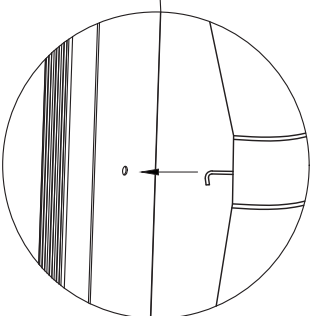
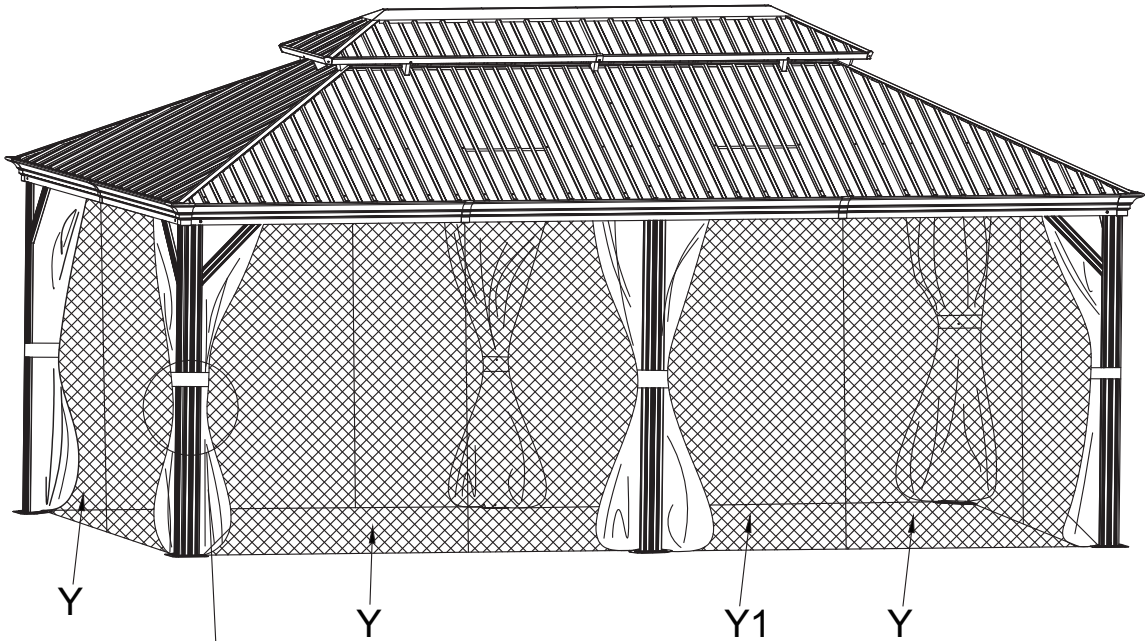
STEP 26

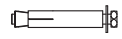


Y (x4)



Y1 (x2)





M6x50

14# x18

STEP 27

