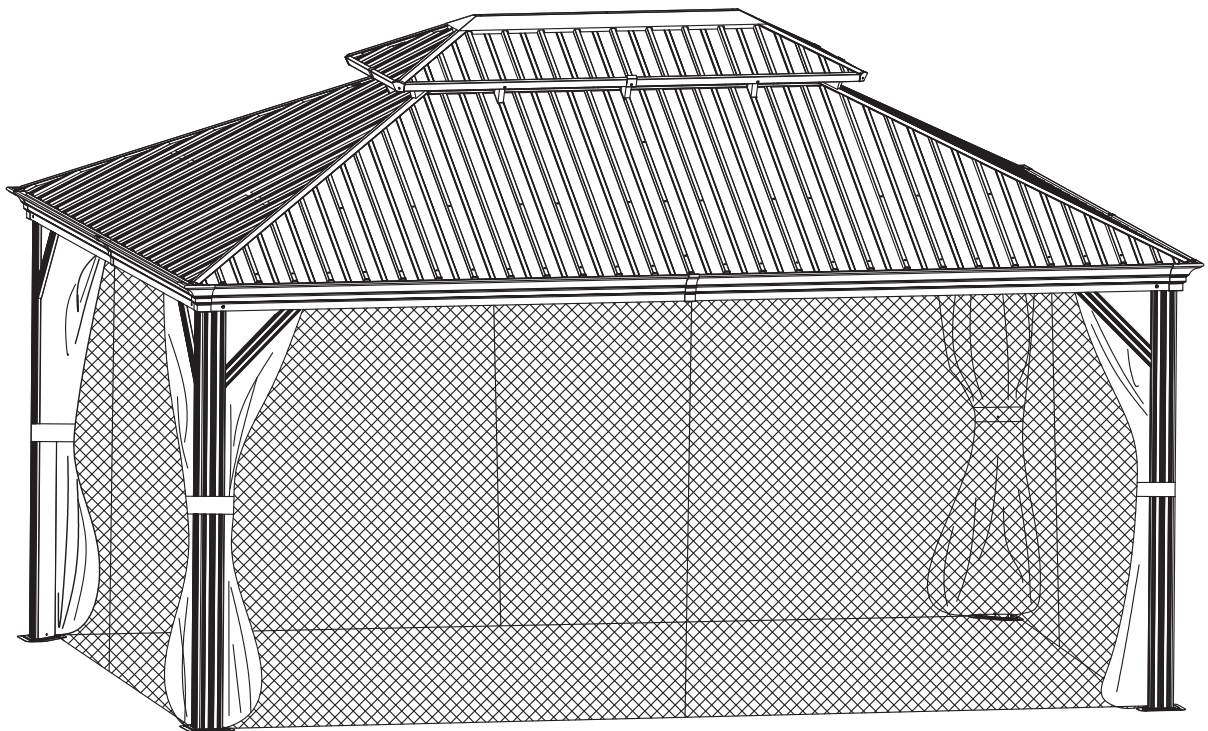


INSTRUCTION MANUAL

SKU: XWG-216MS-HS

12FT x 16FT GAZEBO



Note: The gazebo needs to be installed in cooperation with four people. The following tools are not included and needed for assembly:



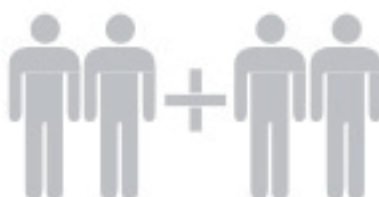
Pistol Drill



Tape Measure



2 m Adjustable Ladder







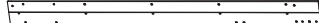

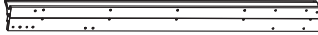

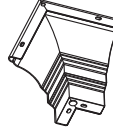


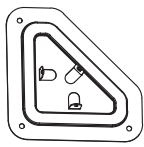



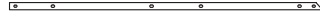





4 people


Warning

1. Four person assembly is required for this gazebo.
2. Please take appropriate actions as heavy rain, wind and snow can damage the gazebo. If necessary please disassemble and store for later use.
3. In snowy conditions, please do not allow the thickness of the snow to be more than 5 inches on the roof, this should be cleared as soon as possible for your safety. When the wind speed reaches 61.2km/h, please take measures to avoid the wind.


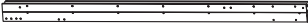
PARTS LIST (BOX A)

<p>B1</p>  <p style="text-align: center;">2 PCS</p>	<p>B2</p>  <p style="text-align: center;">2 PCS</p>	<p>B3</p>  <p style="text-align: center;">2 PCS</p>	<p>C1</p>  <p style="text-align: center;">2 PCS</p>
<p>C2</p>  <p style="text-align: center;">2 PCS</p>	<p>C3</p>  <p style="text-align: center;">2 PCS</p>	<p>D</p>  <p style="text-align: center;">2 PCS</p>	<p>D2</p>  <p style="text-align: center;">2 PCS</p>
<p>E</p>  <p style="text-align: center;">2 PCS</p>	<p>E2</p>  <p style="text-align: center;">2 PCS</p>	<p>G</p>  <p style="text-align: center;">4 PCS</p>	<p>J1</p>  <p style="text-align: center;">4 PCS</p>
<p>J2</p>  <p style="text-align: center;">4 PCS</p>	<p>L</p>  <p style="text-align: center;">4 PCS</p>	<p>M</p>  <p style="text-align: center;">4 PCS</p>	<p>N</p>  <p style="text-align: center;">4 PCS</p>
<p>U1</p>  <p style="text-align: center;">2 PCS</p>	<p>U2</p>  <p style="text-align: center;">2 PCS</p>	<p>U3</p>  <p style="text-align: center;">2 PCS</p>	<p>U4</p>  <p style="text-align: center;">2 PCS</p>
<p>U5</p>  <p style="text-align: center;">2 PCS</p>			

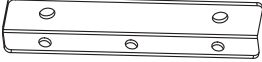



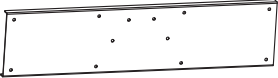
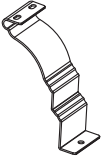
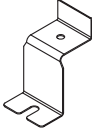
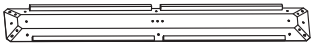
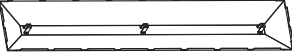


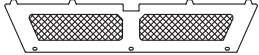
PARTS LIST (BOX B)

A			
			
4 PCS			



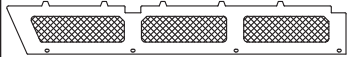
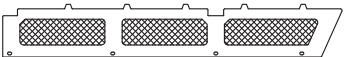

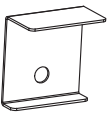
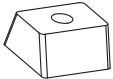



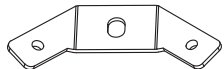

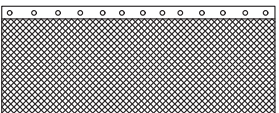
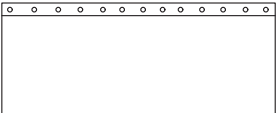


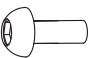




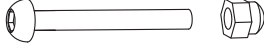


PARTS LIST (BOX C)

B	C		
			
2 PCS	2 PCS		


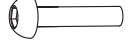

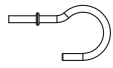
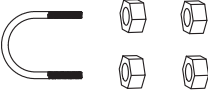
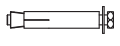

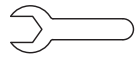
PARTS LIST (BOX D)

A1	A2	D1	E1
			
8 PCS	8 PCS	2 PCS	2 PCS
F	H	H1	K
			
4 PCS	4 PCS	4 PCS	1 PC
K1	N1	P	P1
			
1 PC	4 PCS	2 PCS	2 PCS


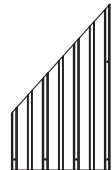
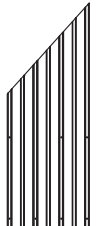
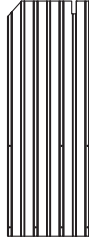
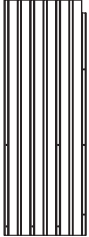
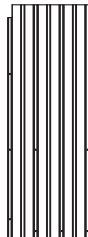
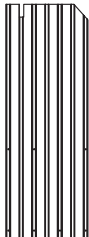
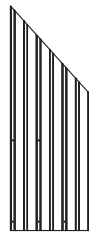
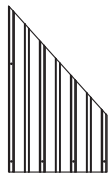

PARTS LIST (BOX D)

Q1	Q2	Q3	Q4
			
2 PCS	2 PCS	2 PCS	2 PCS
R	R1	S	T
			
8 PCS	2 PCS	136 PCS	2 PCS
T1	T2	U6	U7
			
2 PCS	2 PCS	4 PCS	6 PCS
Y	Ya	Z	Z1
			
4 PCS	4 PCS	72 PCS	16 PCS
1#	2#	3#	4#
 M6x16	 M6x20		
261 PCS	16 PCS	16 PCS	128 PCS
5#	6#	7#	8#
 M6x23	 M6x47	 M6x42	 M5x16
84 PCS	40 PCS	8 PCS	40 PCS

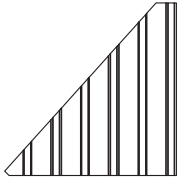
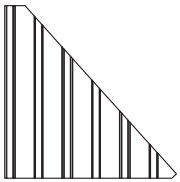

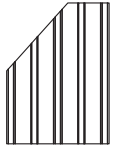
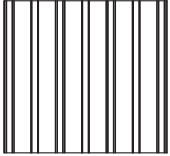
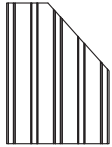


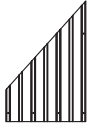
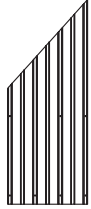
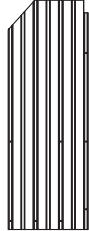
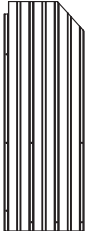

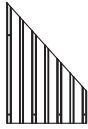

PARTS LIST (BOX D)

9#  ST4.8x12 24 PCS	10#  M6x23 4 PCS	11#  M6x10 12 PCS	12#  2 PCS
13#  1 PC	14#  M6x50 12 PCS	 2 PCS	 1 PC




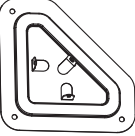
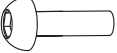

PARTS LIST (BOX E)

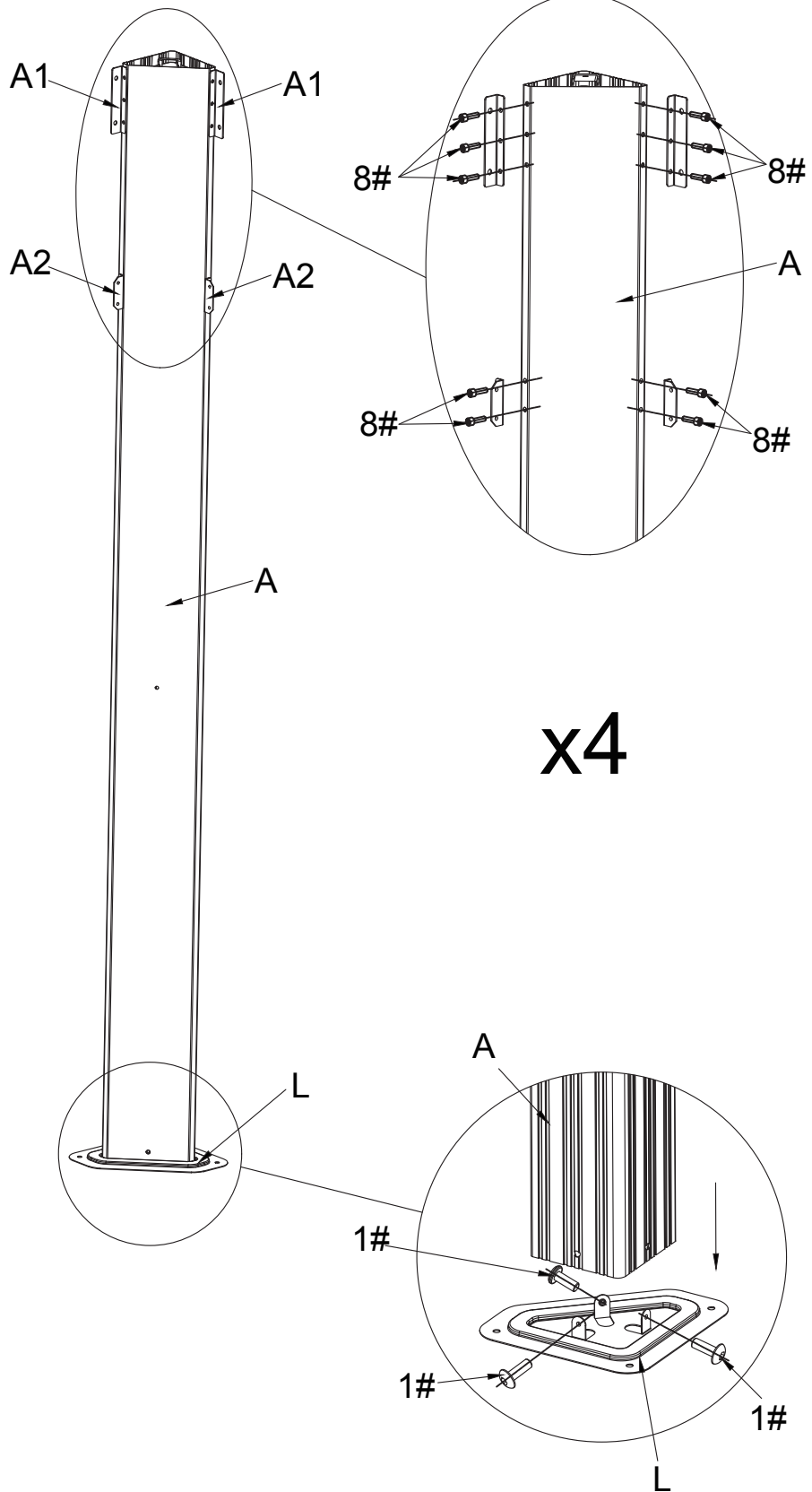
X1  2 PCS	X2  2 PCS	X3  2 PCS	X4  2 PCS
X5  2 PCS	X6  2 PCS	X7  2 PCS	X8  2 PCS
X9  2 PCS	X10  2 PCS		









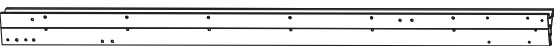
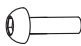
PARTS LIST (BOX F)

V1  2 PCS	V2  2 PCS	V3  2 PCS	V4  2 PCS
V5  4 PCS	V6  2 PCS	V7  2 PCS	W1  2 PCS
W2  2 PCS	W3  2 PCS	W4  2 PCS	W5  2 PCS
W6  2 PCS	W7  2 PCS	W8  2 PCS	

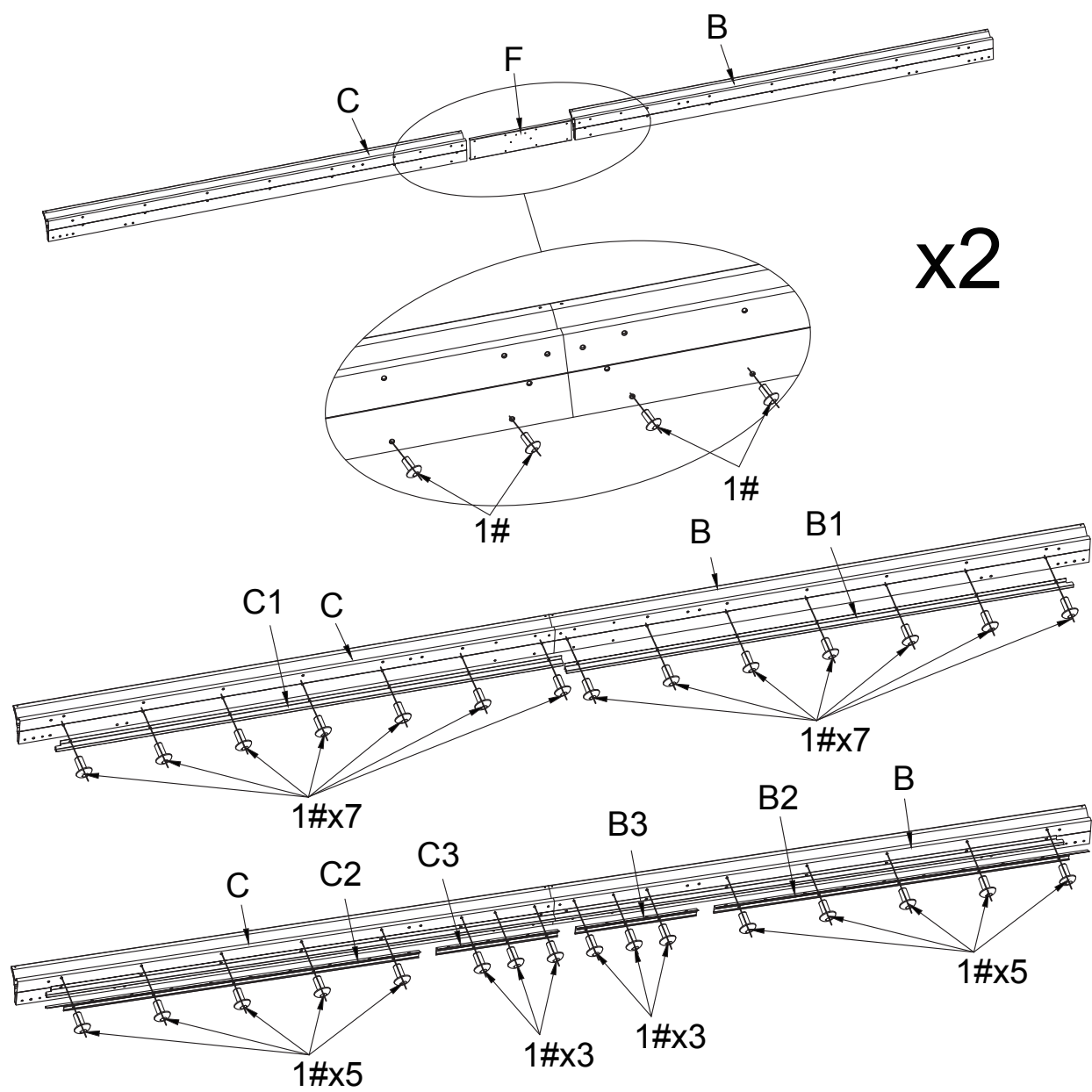
STEP 01

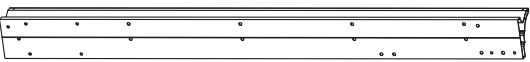





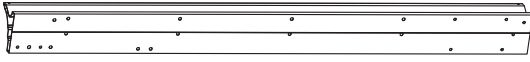
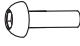
- 
A x4
- 
A1 x8
- 
A2 x8
- 
L x4
- 
M6 x16
1#
x12
- 
M5 x10
8#
x40



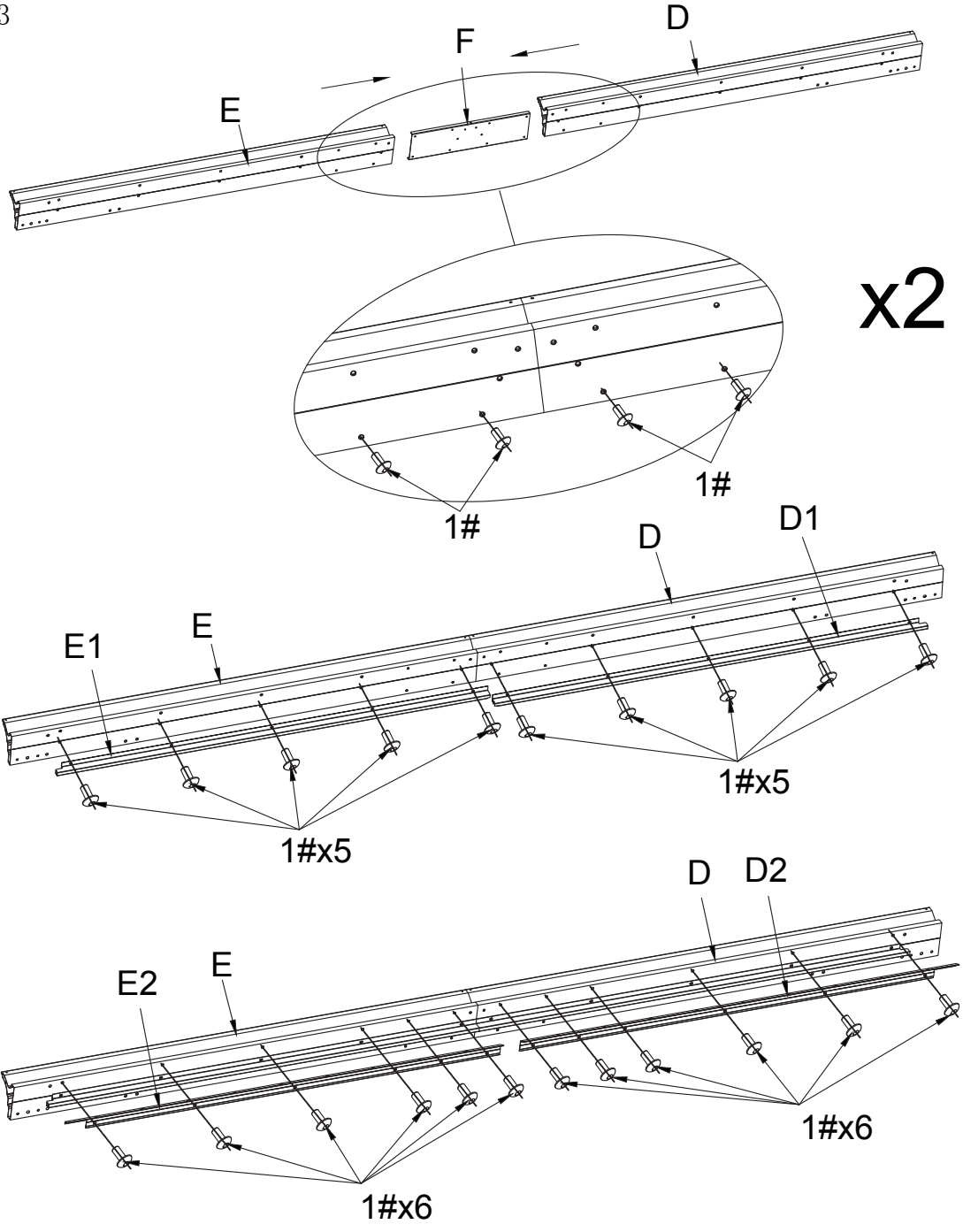
 B (x2)	 C1 (x2)
 B1 (x2)	 C2 (x2)
 B2 (x2)	 C3 (x2)
 B3 (x2)	 F (x2)
 C (x2)	 M6x16 1# (x68)

STEP 02



 D (x2)	 E1 (x2)
 D1 (x2)	 E2 (x2)
 D2 (x2)	 F (x2)
 E (x2)	 M6x16 1# (x52)

STEP 03

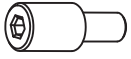


STEP 04



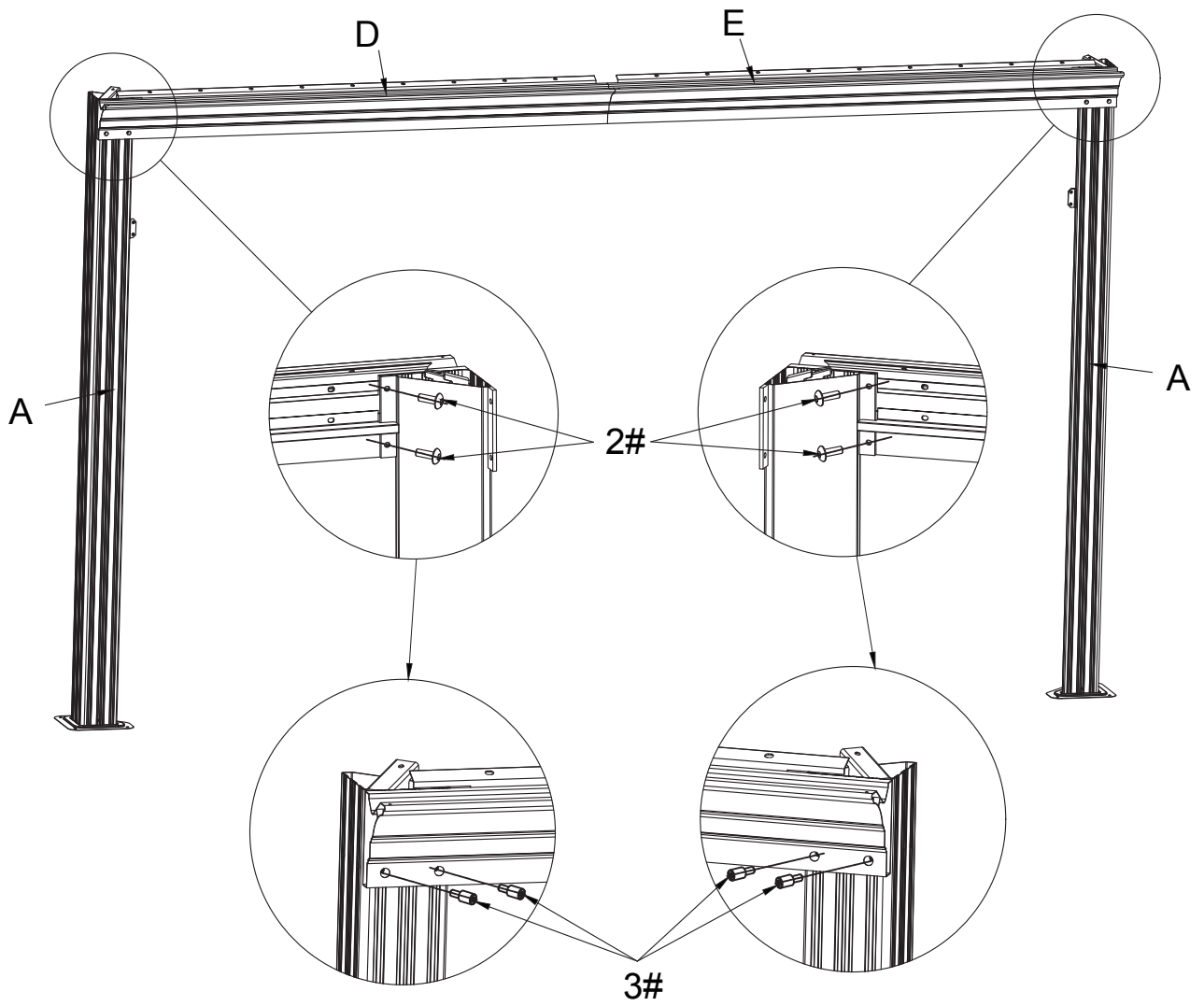
M6x20

2#(x8)

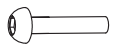


3#(x8)

x2

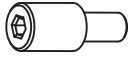


STEP 05

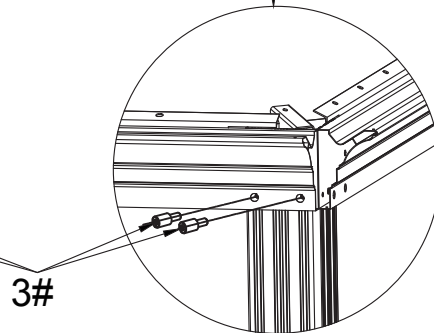
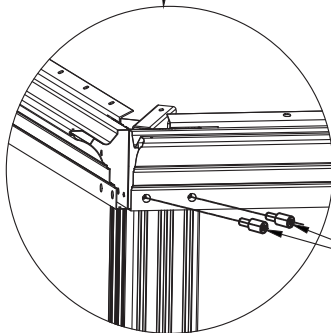
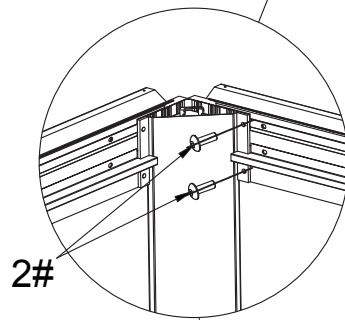
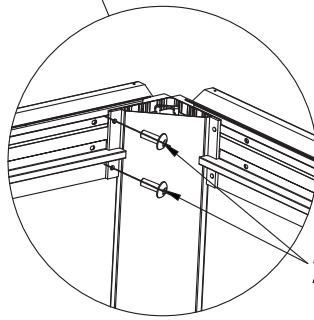
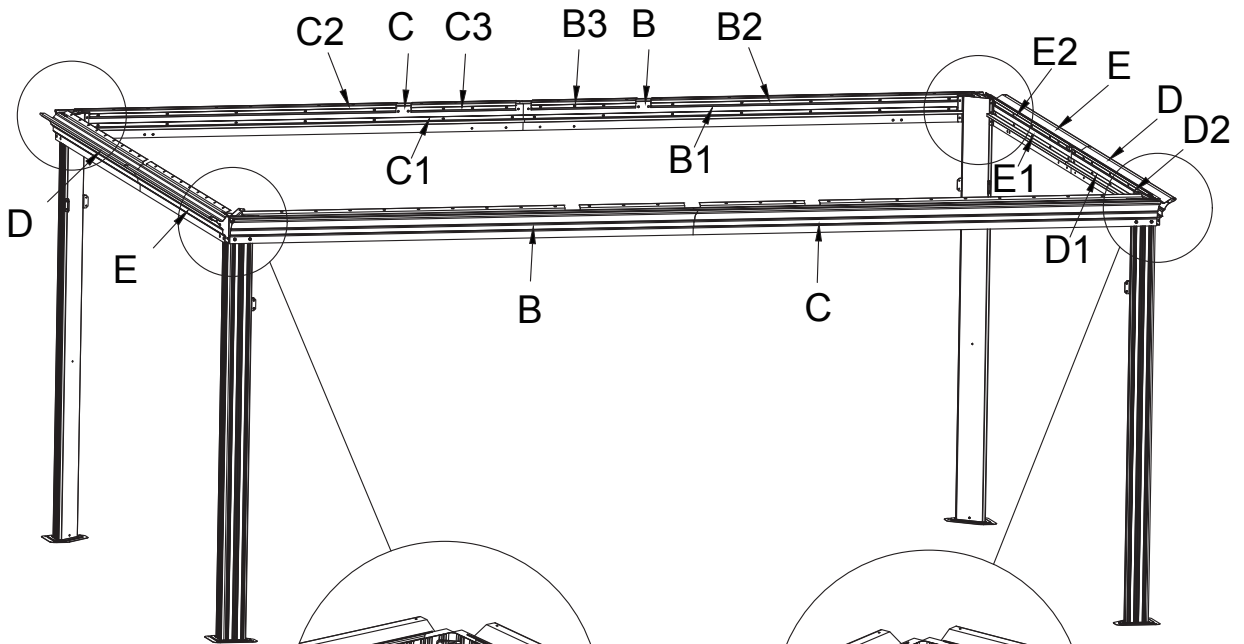


M6x20

2#x8



3#x8



STEP 06



J1 (x4)

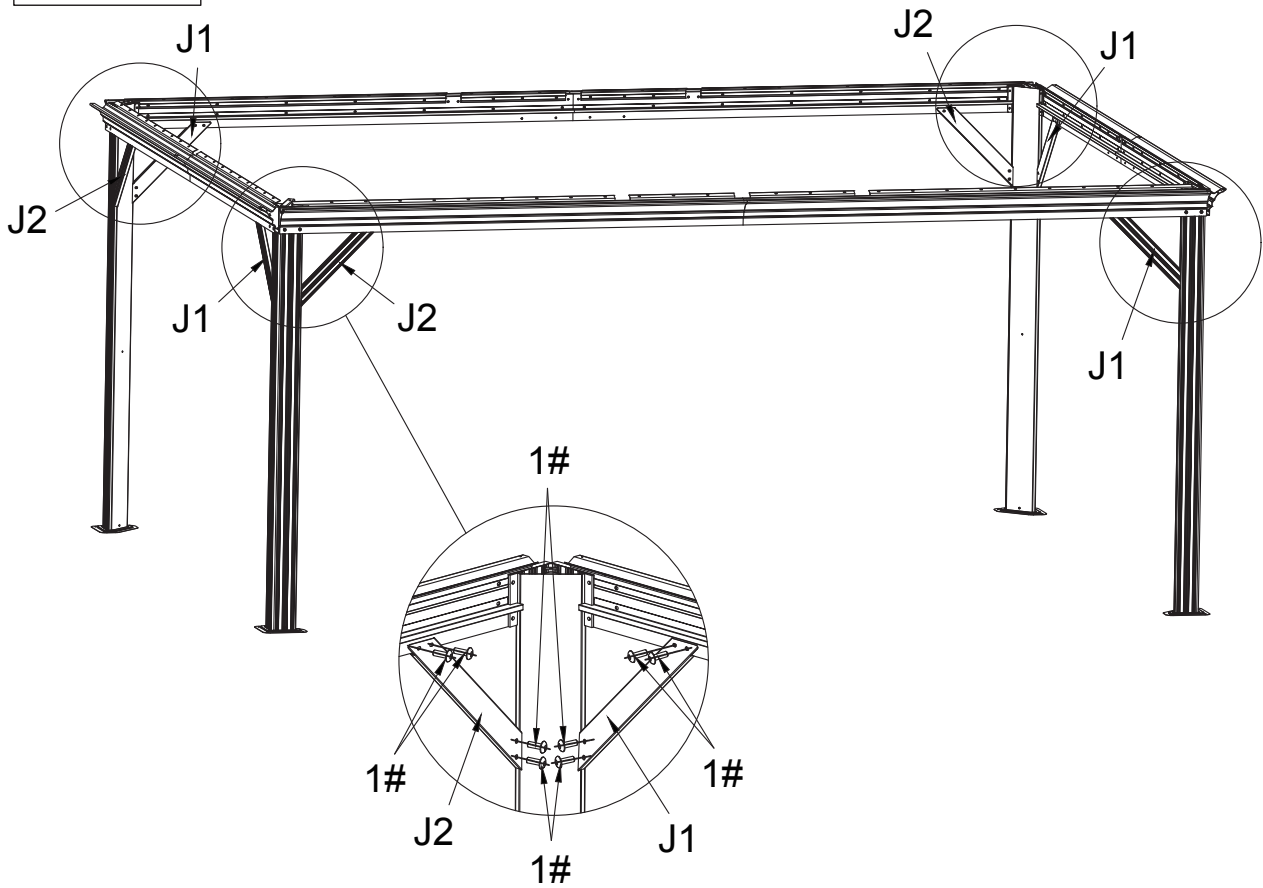


J2 (x4)

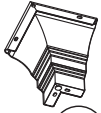


M6x16

1# (x32)



STEP 07



G x4

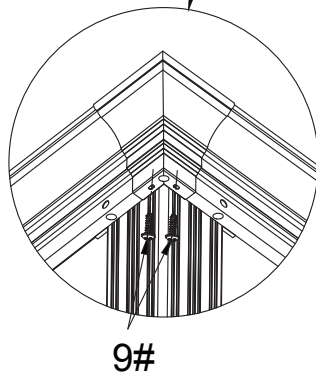
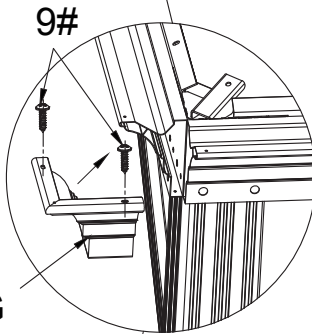
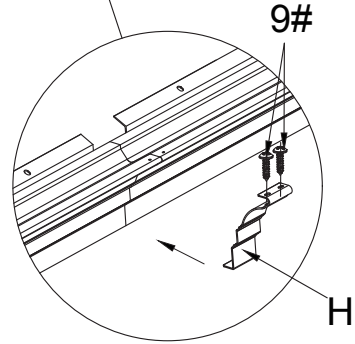
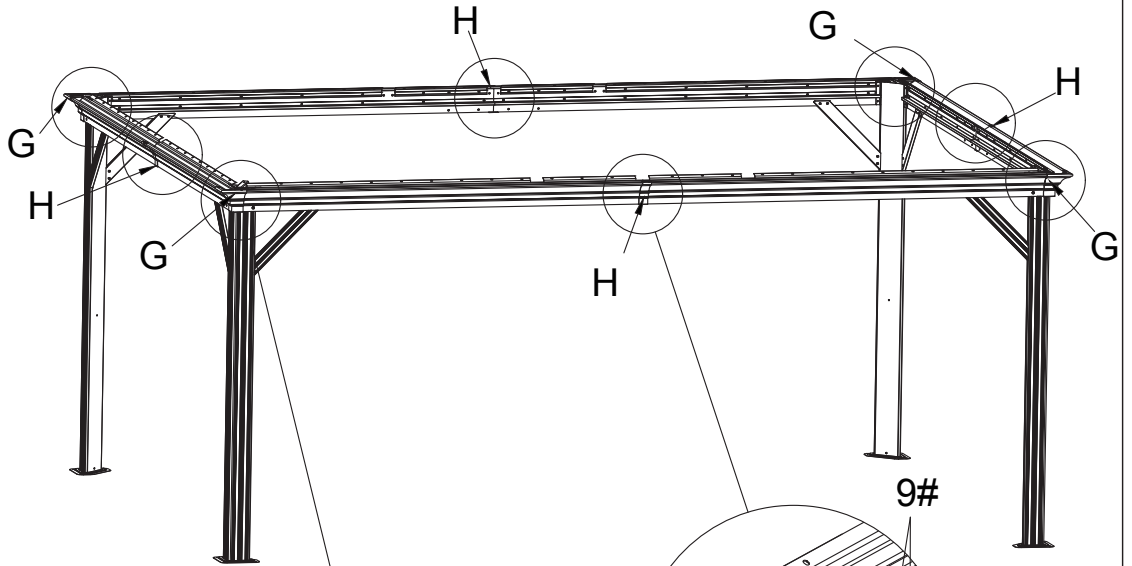


H x4

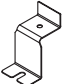


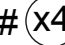


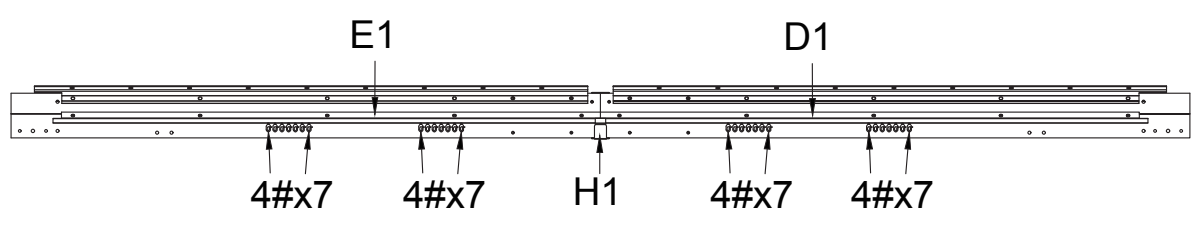
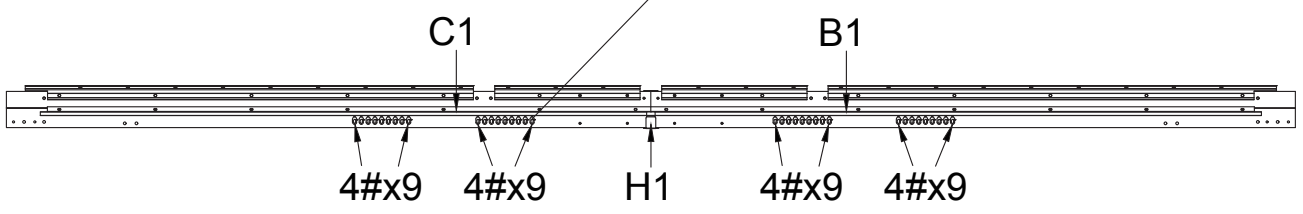
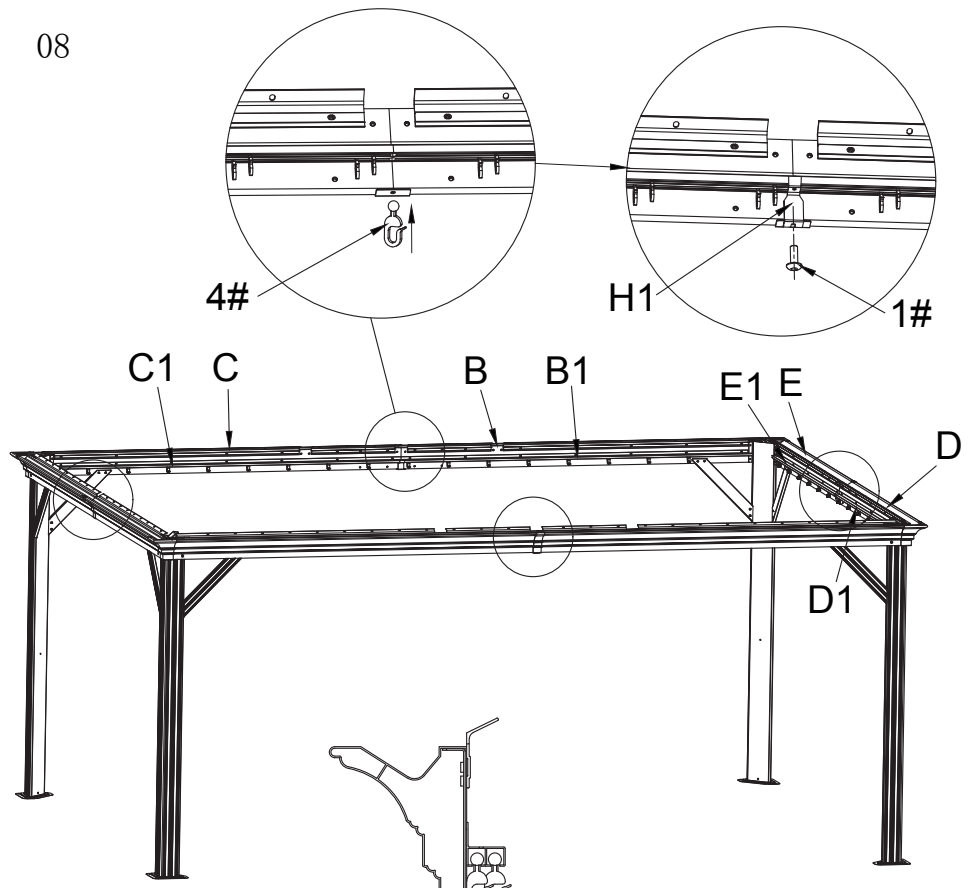
ST4.8x12

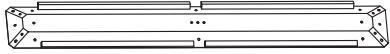
9# x24



STEP 08

-  H1 x4
-  4# x128
-  M6x16
-  1# x4



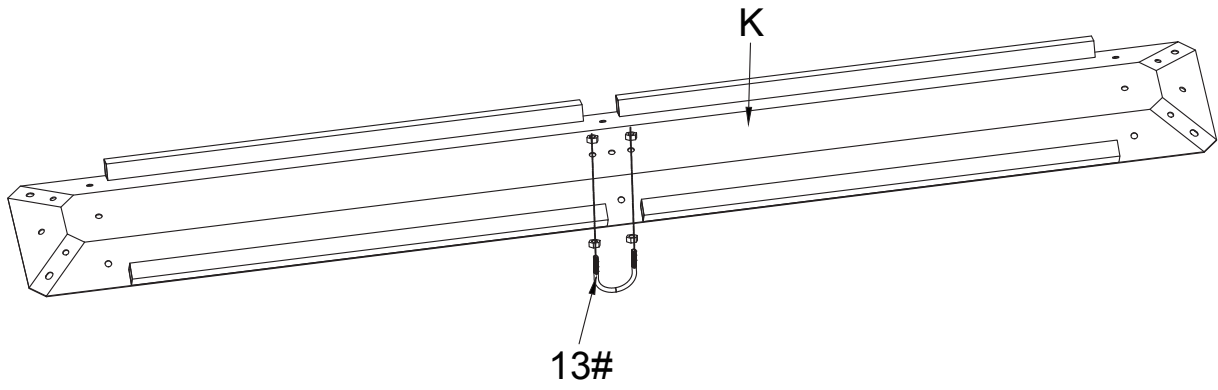


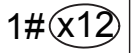
K x1



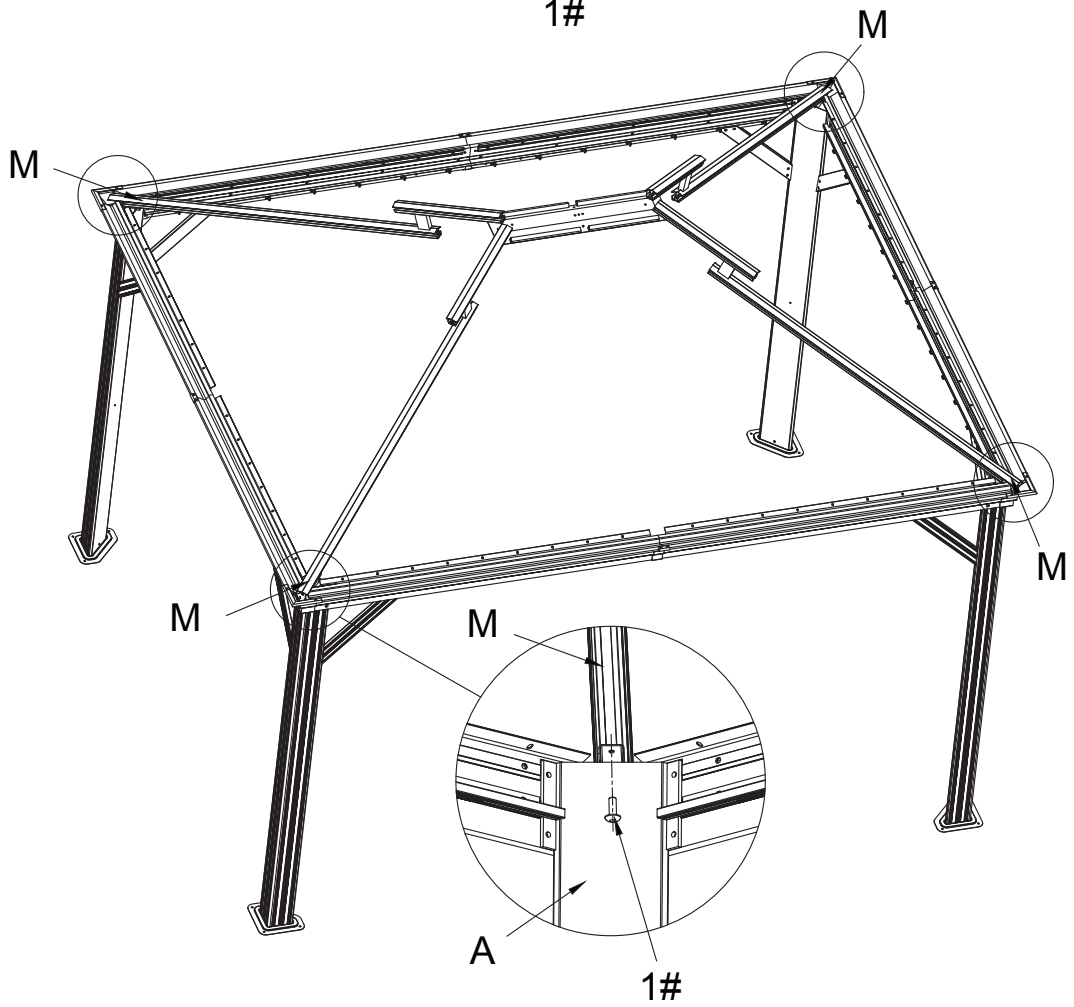
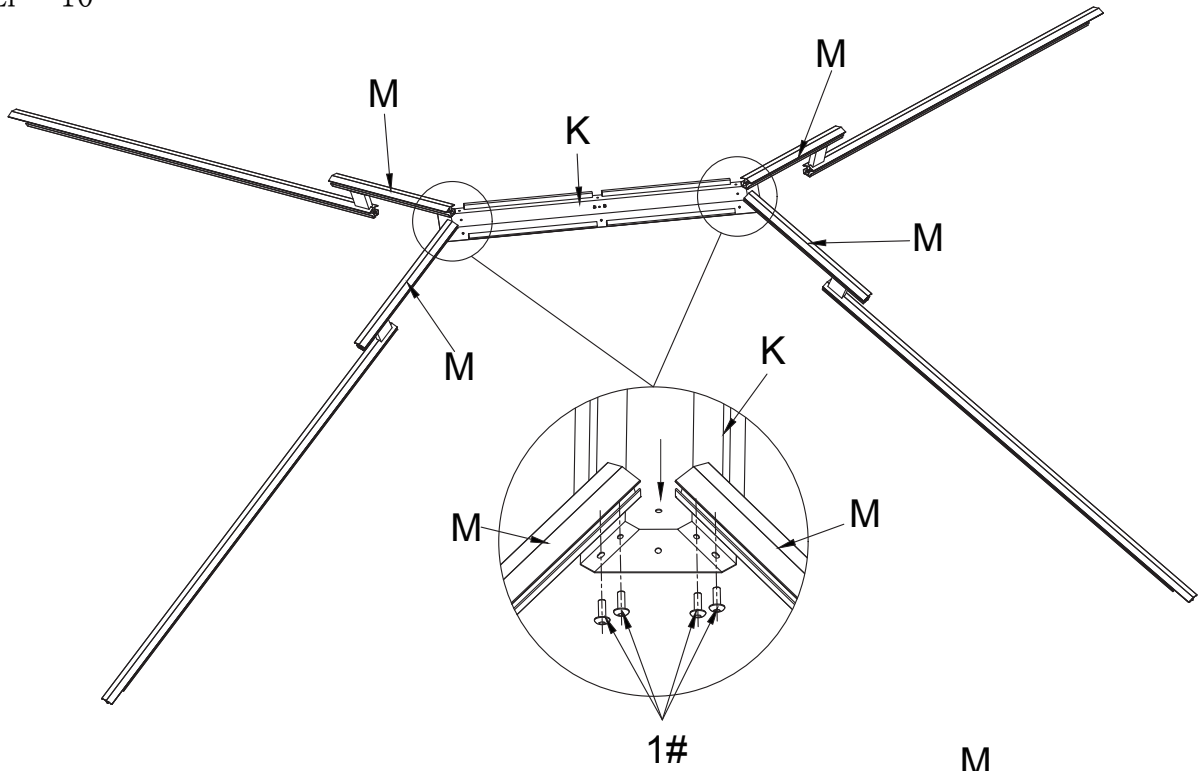
13# x1

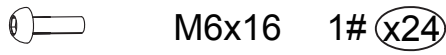
STEP 09



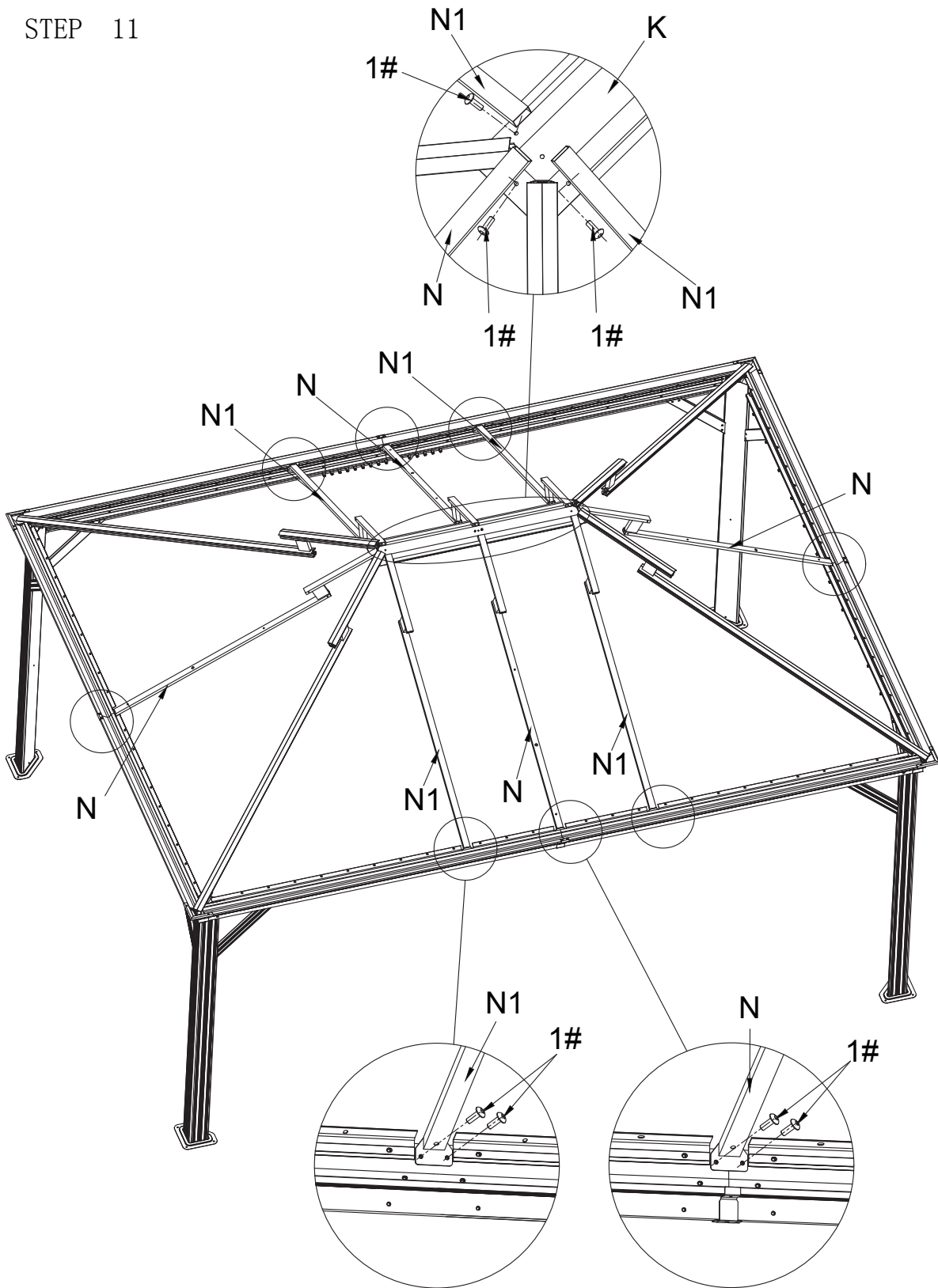


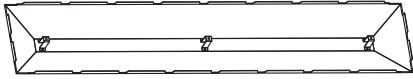
STEP 10





STEP 11





K1 (x1)



12# (x2)

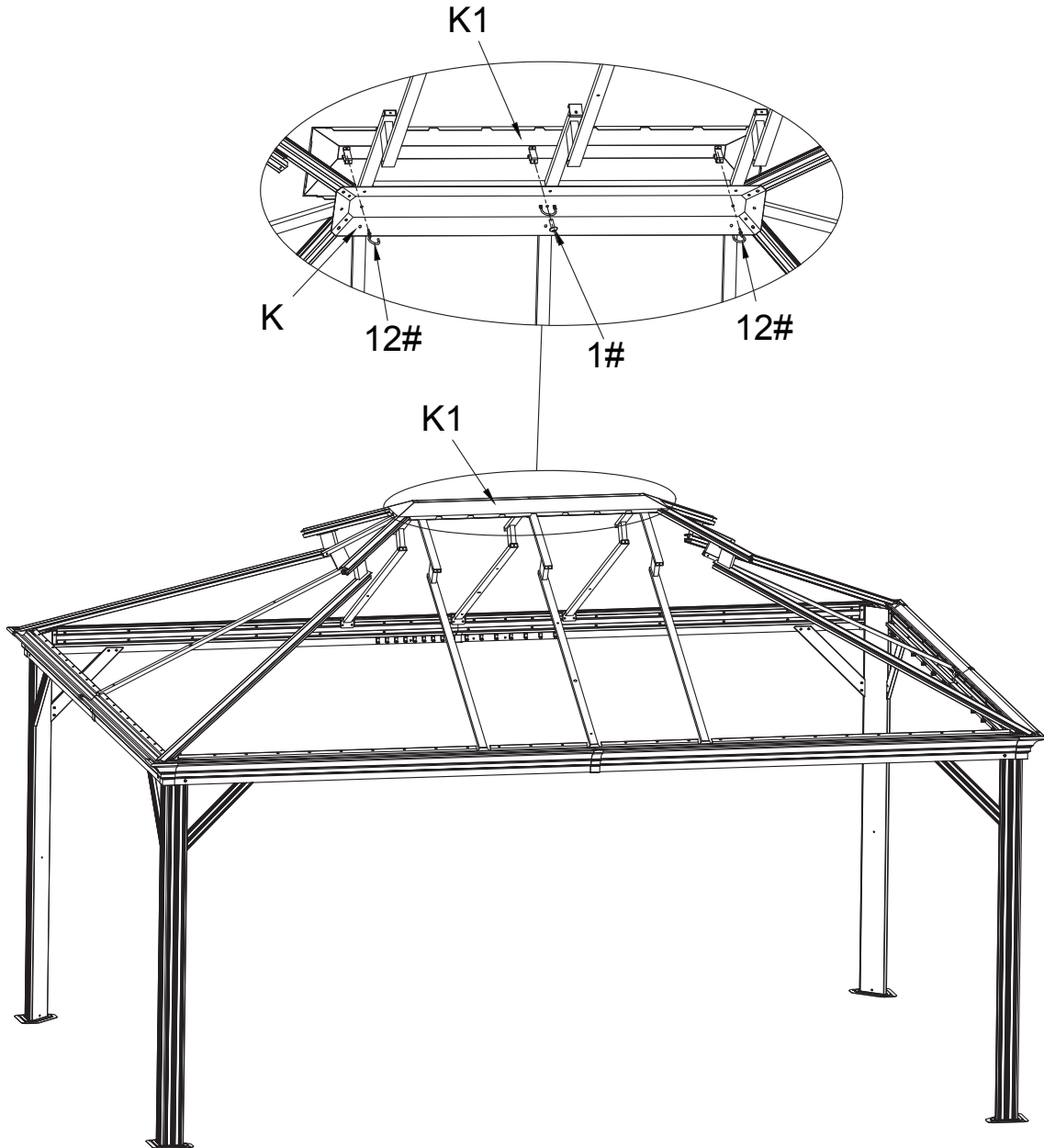


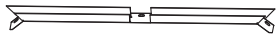
M6x16

1# (x1)

STEP 12

Remark: Do not tighten the screws 1# now





P (x2)



R (x4)



Q1 (x2)



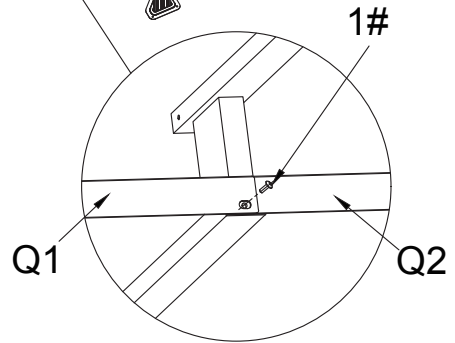
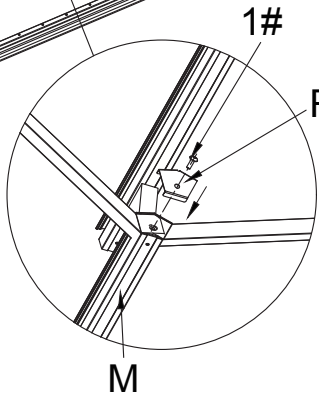
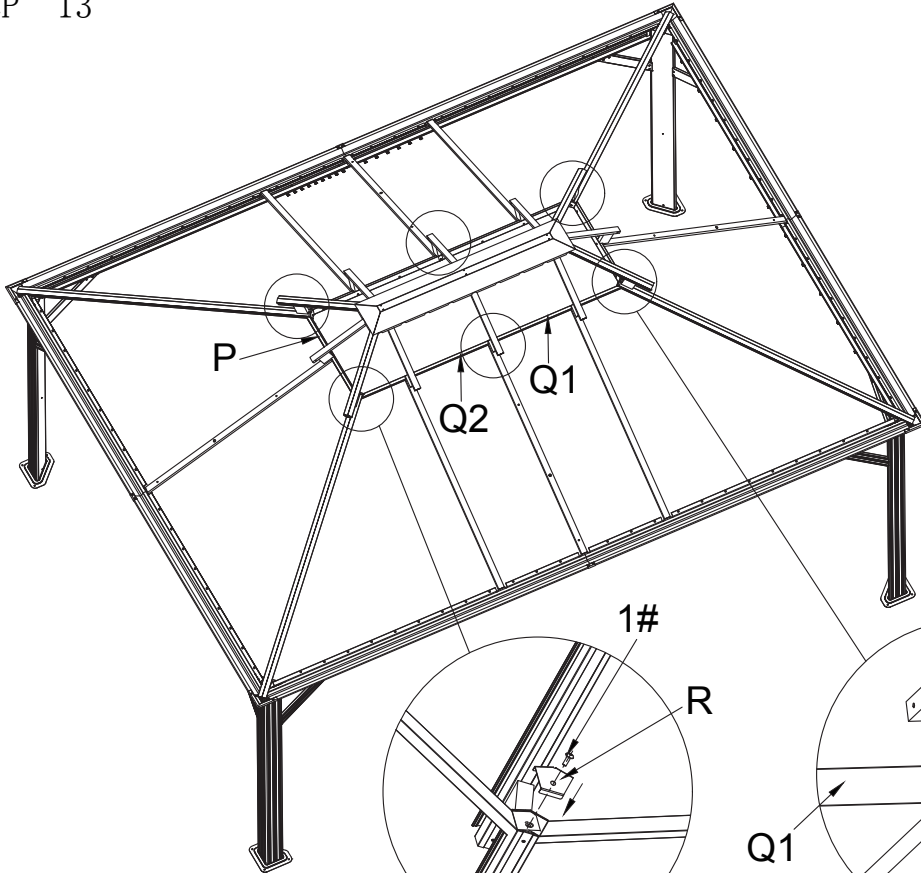
M6x16

1# (x6)

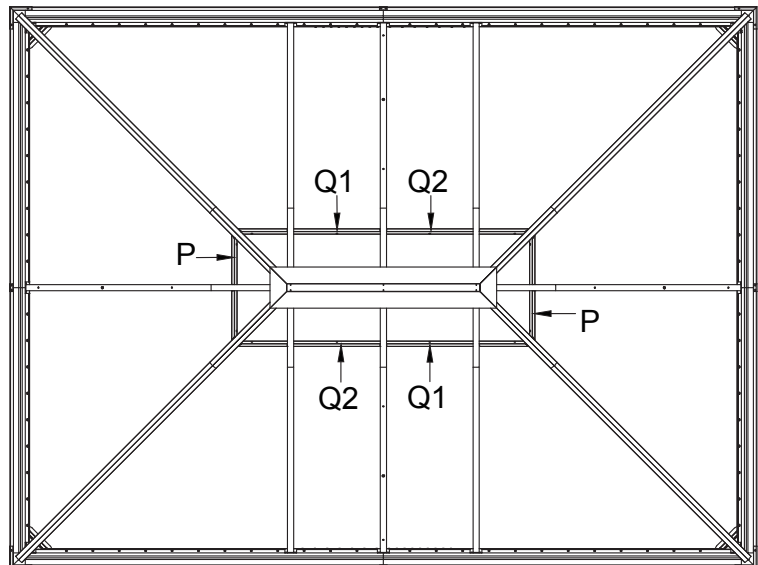


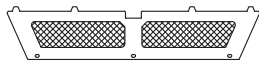
Q2 (x2)

STEP 13



Remark: Do not tighten the screws now



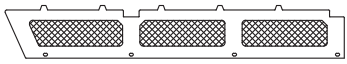


P1(x2)

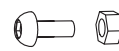


M6x16

1# (x6)

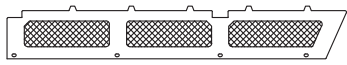


Q3(x2)



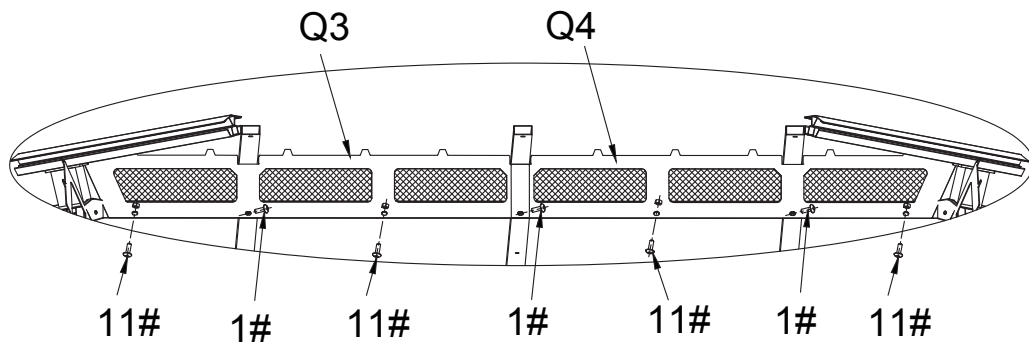
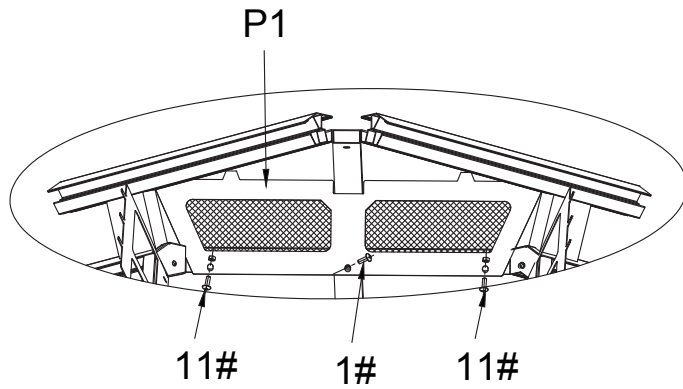
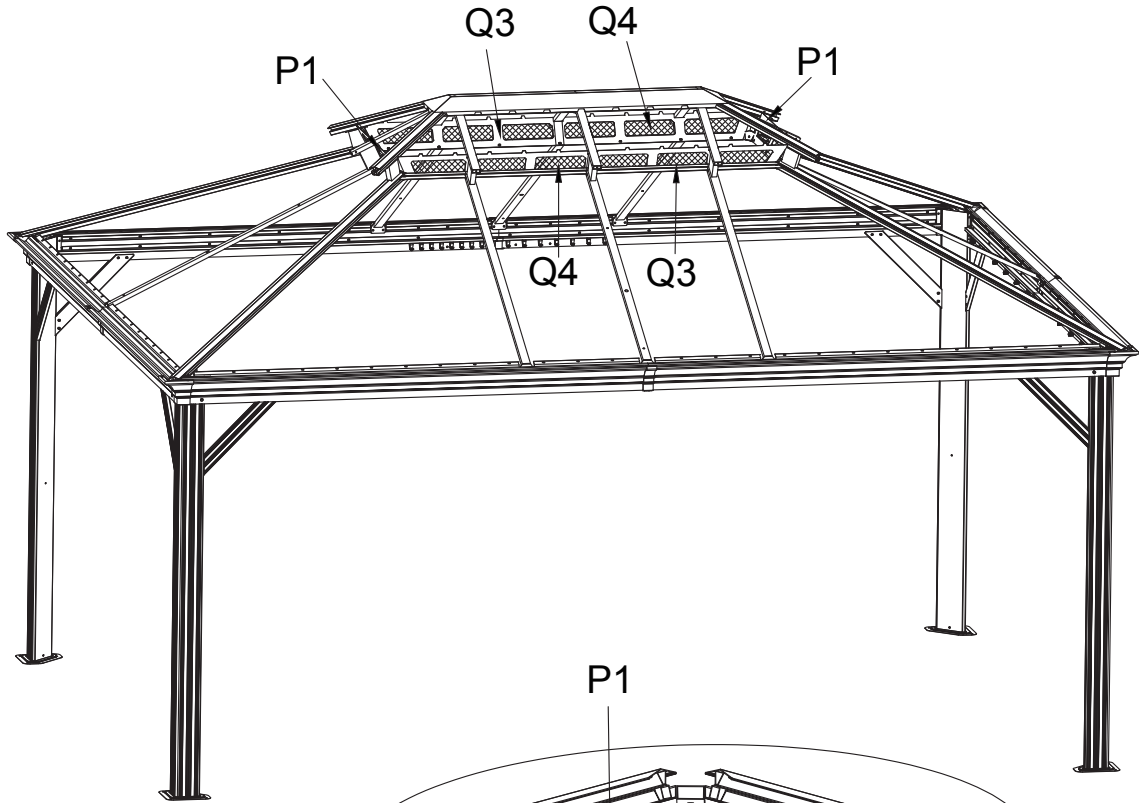
M6x10

11#(x12)






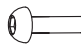


Q4(x2)

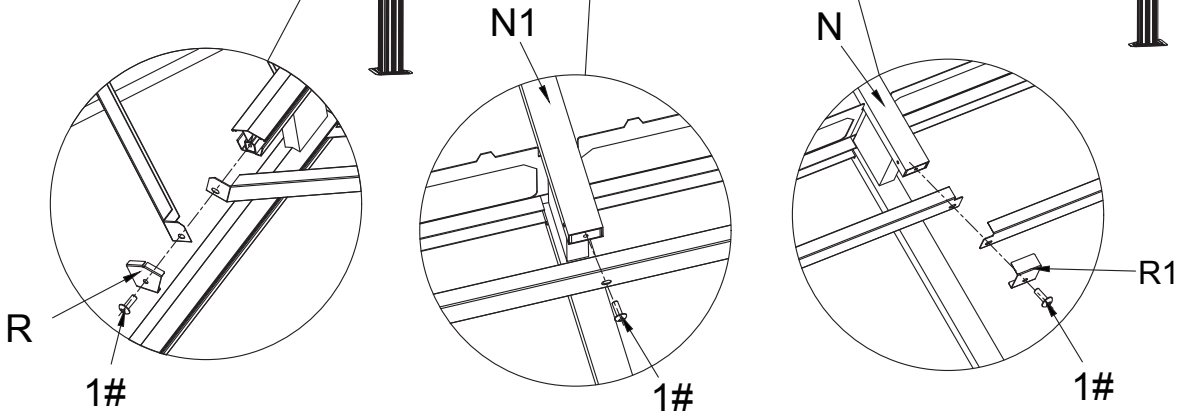
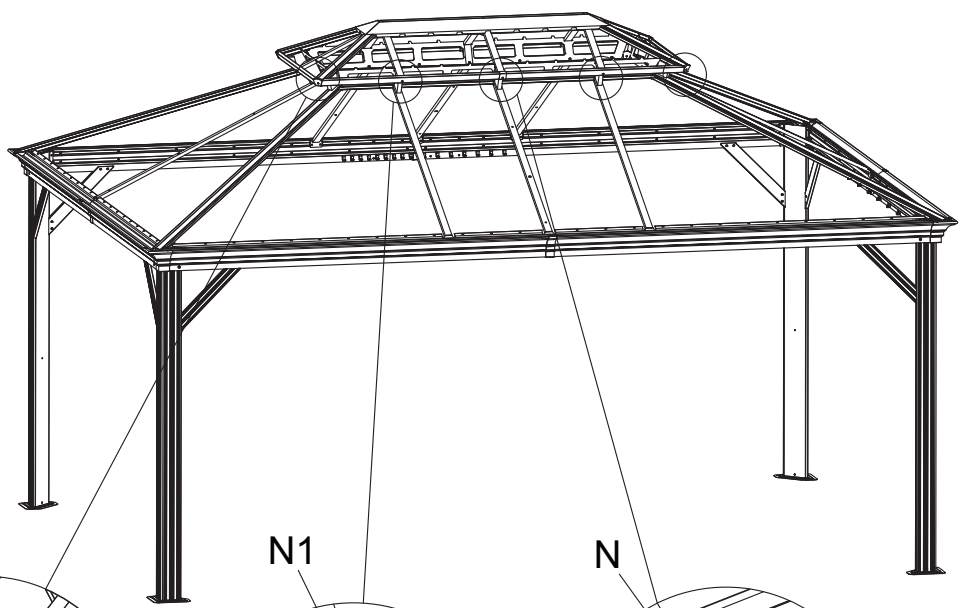
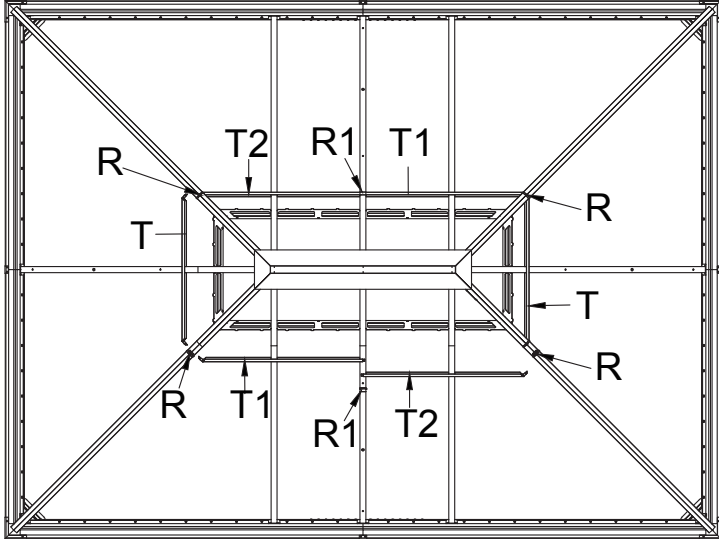
STEP 14












Remark:Loose the screw 1#, put into Q3,Q4 and Q5,then tight the screws 1#.

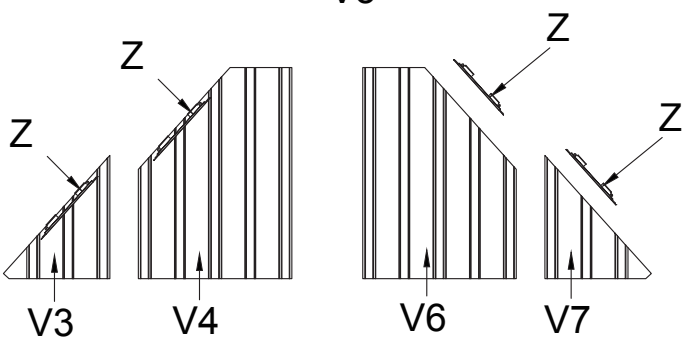
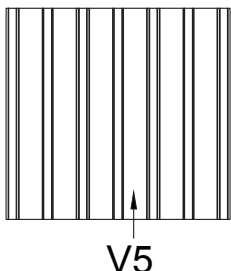
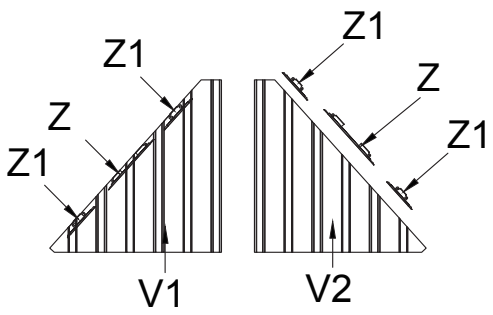
	T (x2)		R (x4)
	T1 (x2)		R1 (x2)
	T2 (x2)		M6x16 1# (x12)

STEP 15

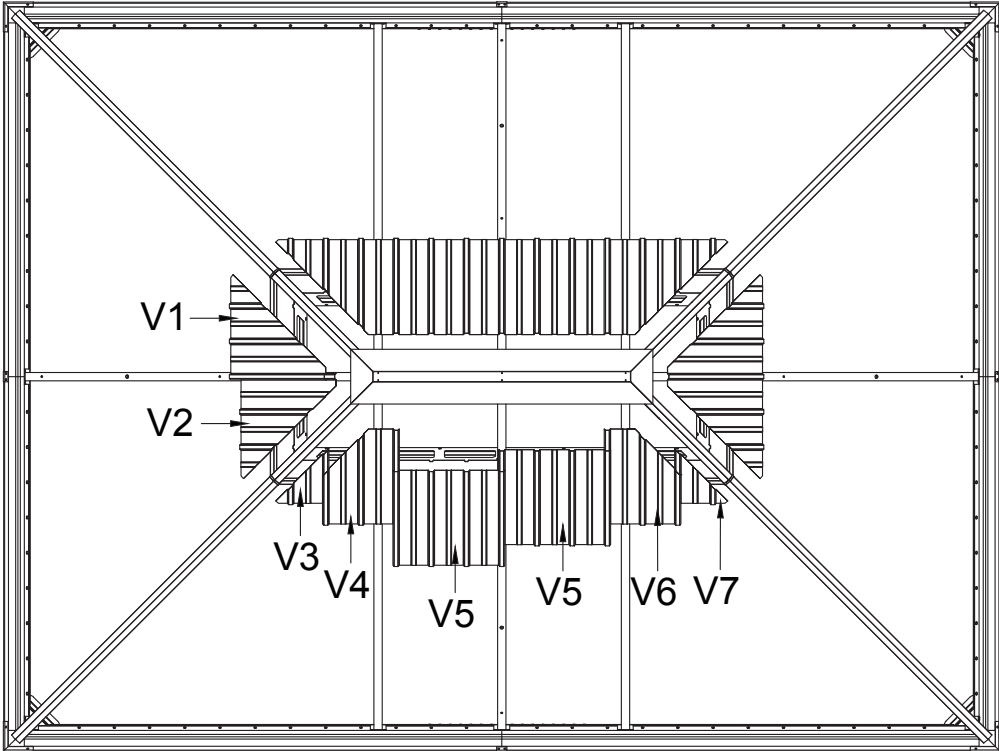
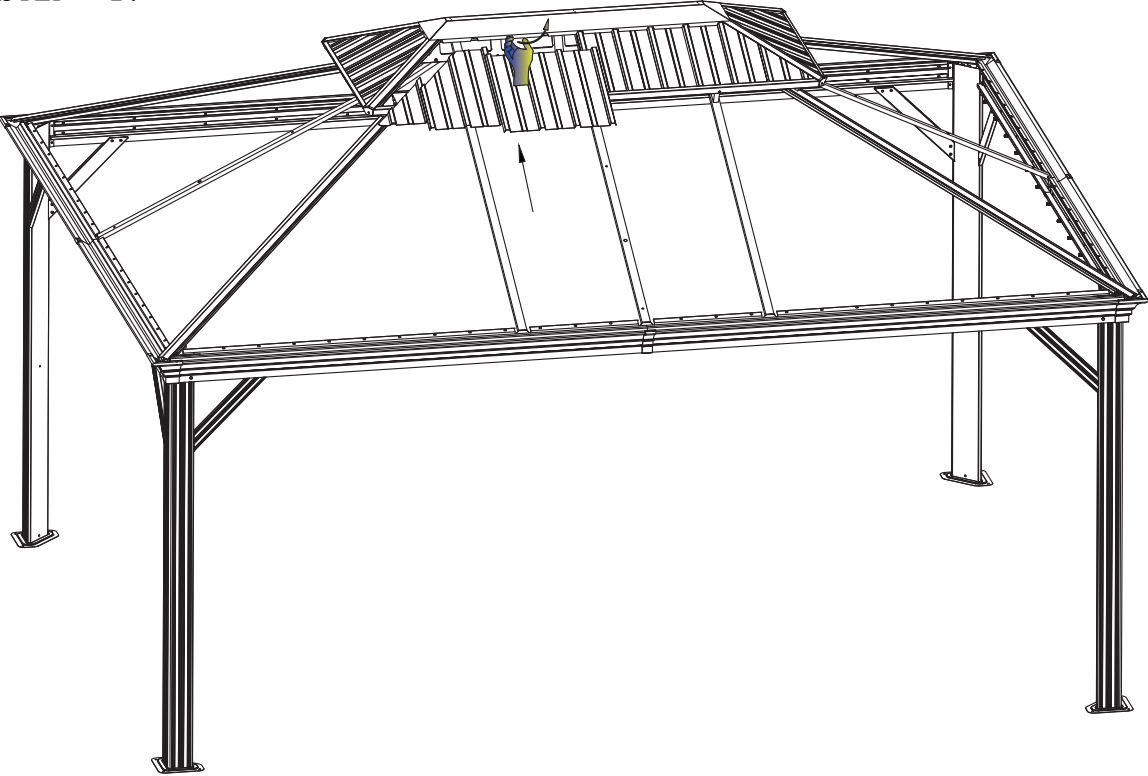


	V1 (x2)		V6 (x2)
	V2 (x2)		V7 (x2)
	V3 (x2)		Z (x12)
	V4 (x2)		Z1 (x8)
	V5 (x2)		

STEP 16

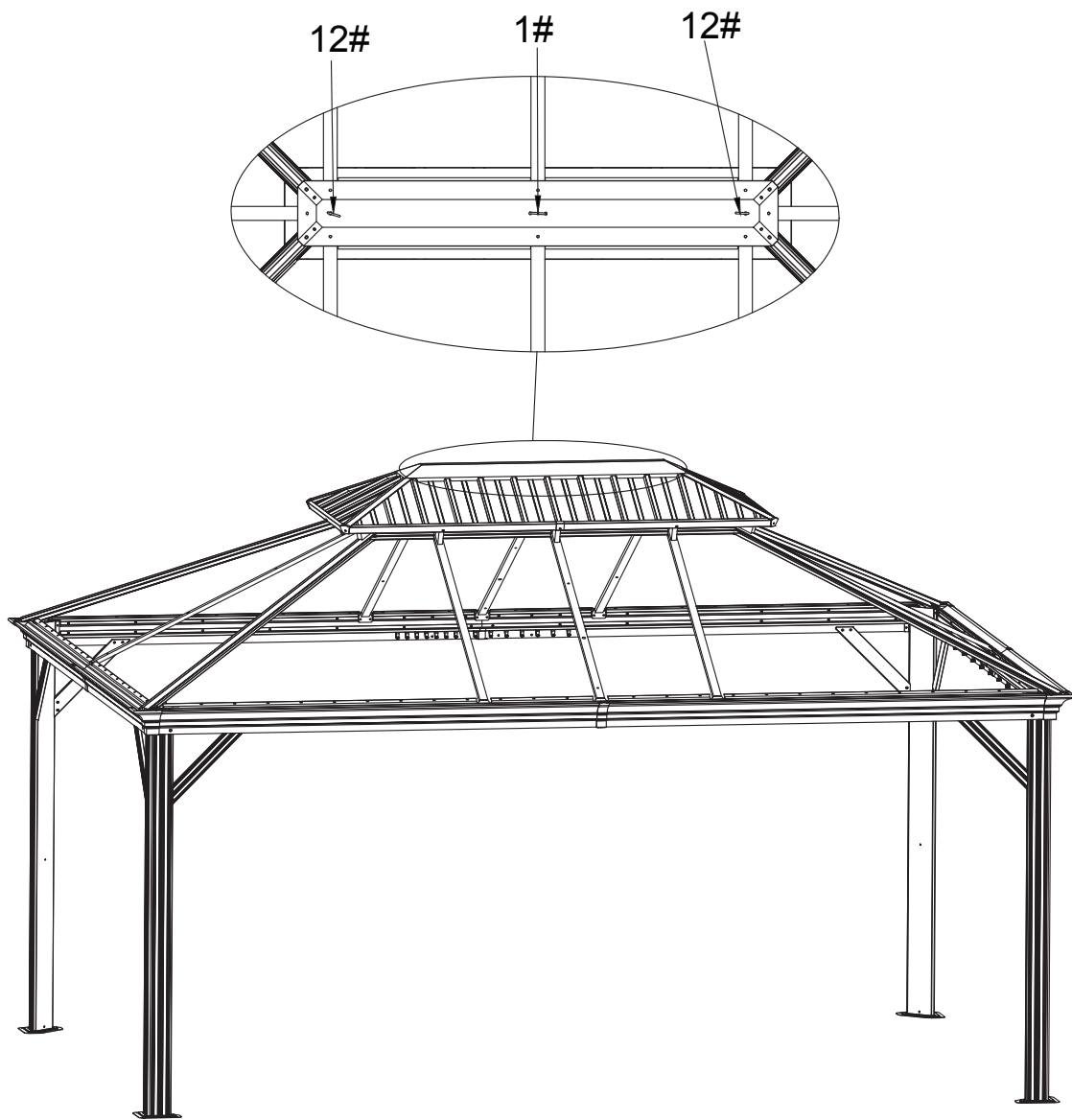




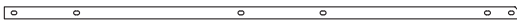
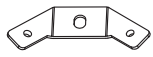

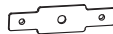
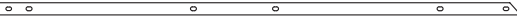

STEP 17



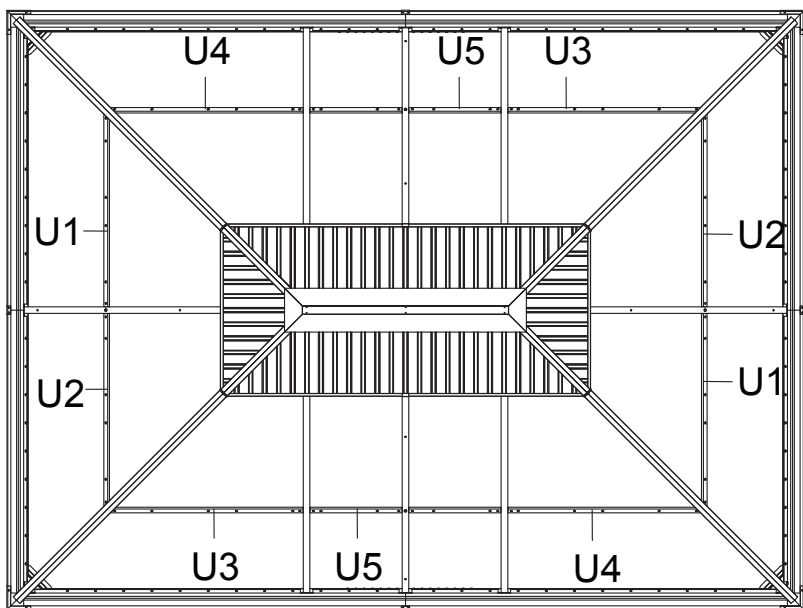
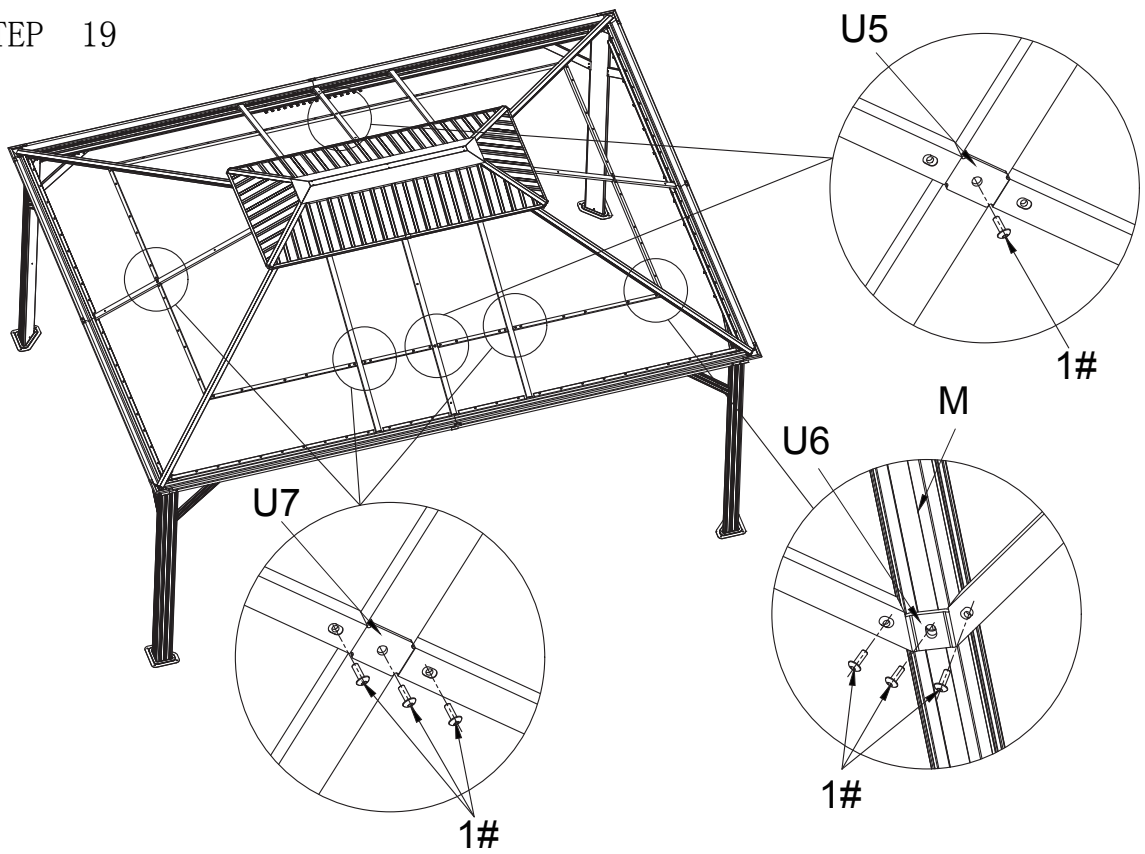
STEP 18










Remark: Tight the screw 1# and 12#



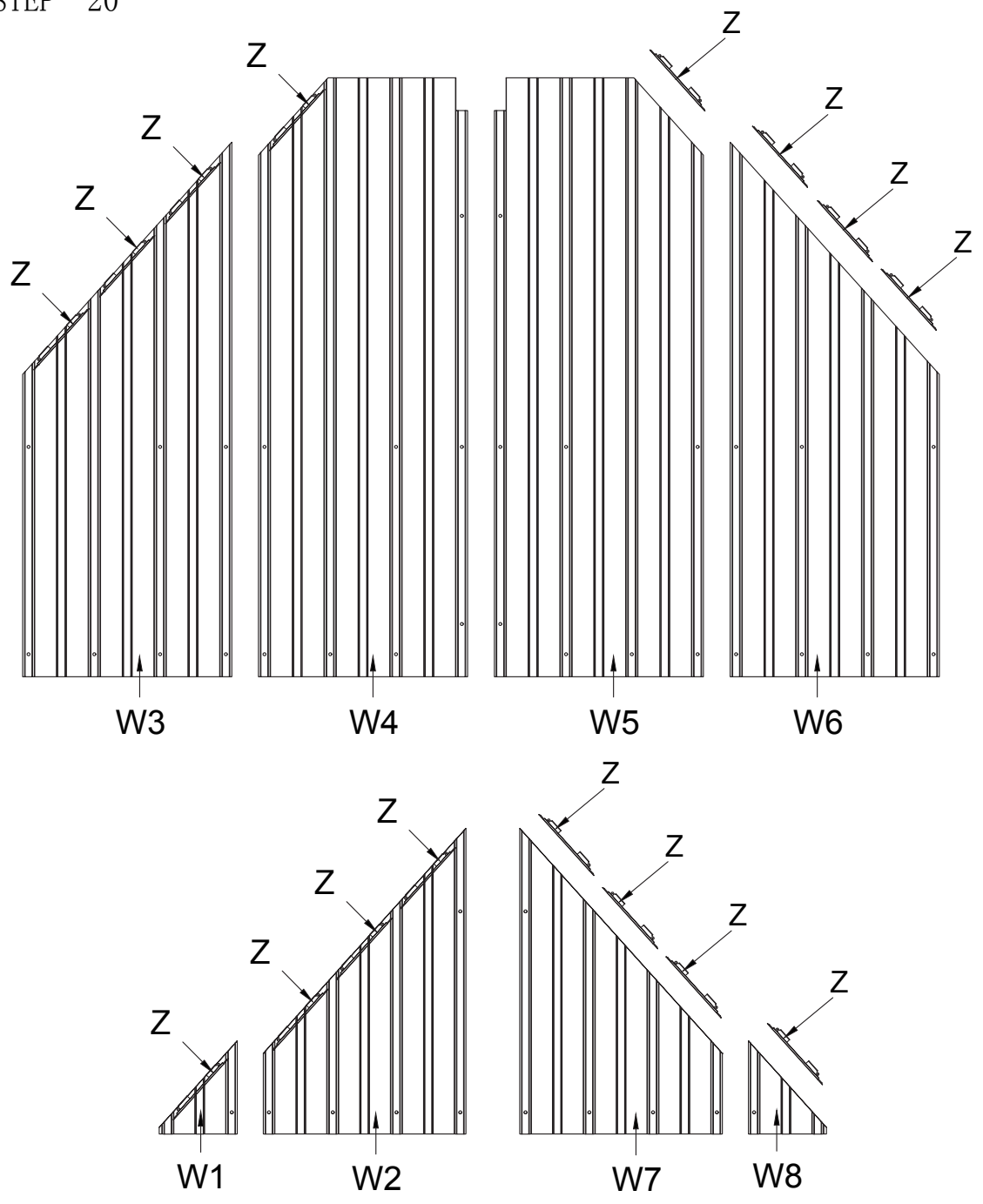
 U1 (x2)	 U5 (x2)
 U2 (x2)	 U6 (x4)
 U3 (x2)	 U7 (x6)
 U4 (x2)	 M6x16 1# (x32)













STEP 19



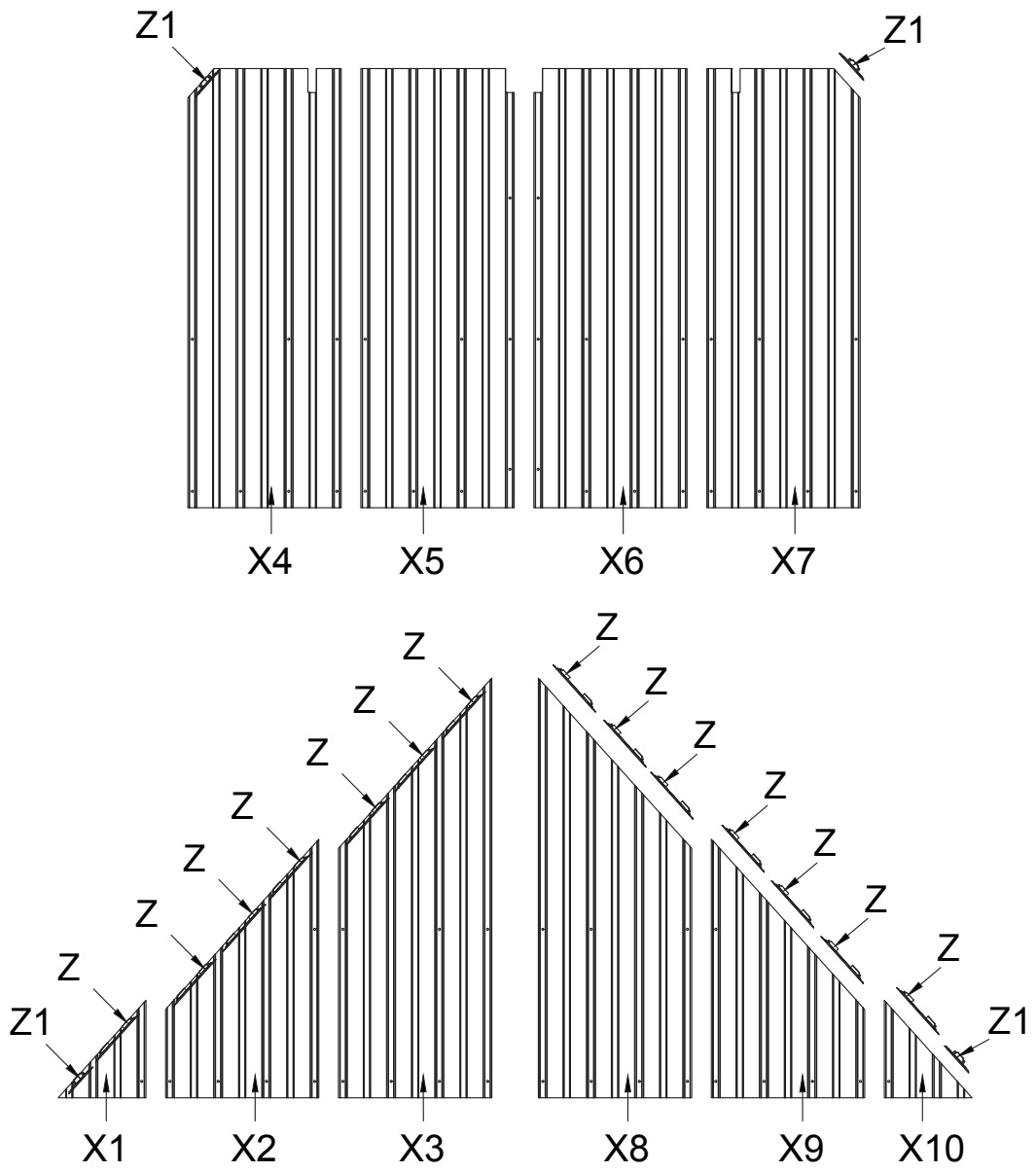
	W1 (x2)		W6 (x2)
	W2 (x2)		W7 (x2)
	W3 (x2)		W8 (x2)
	W4 (x2)		Z (x32)
	W5 (x2)		

STEP 20

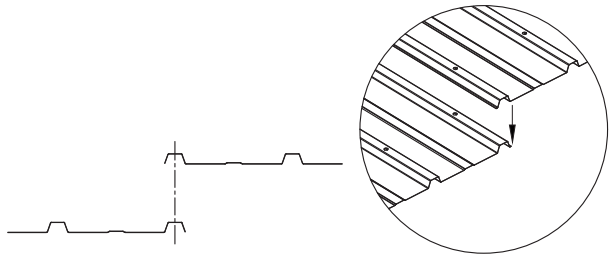
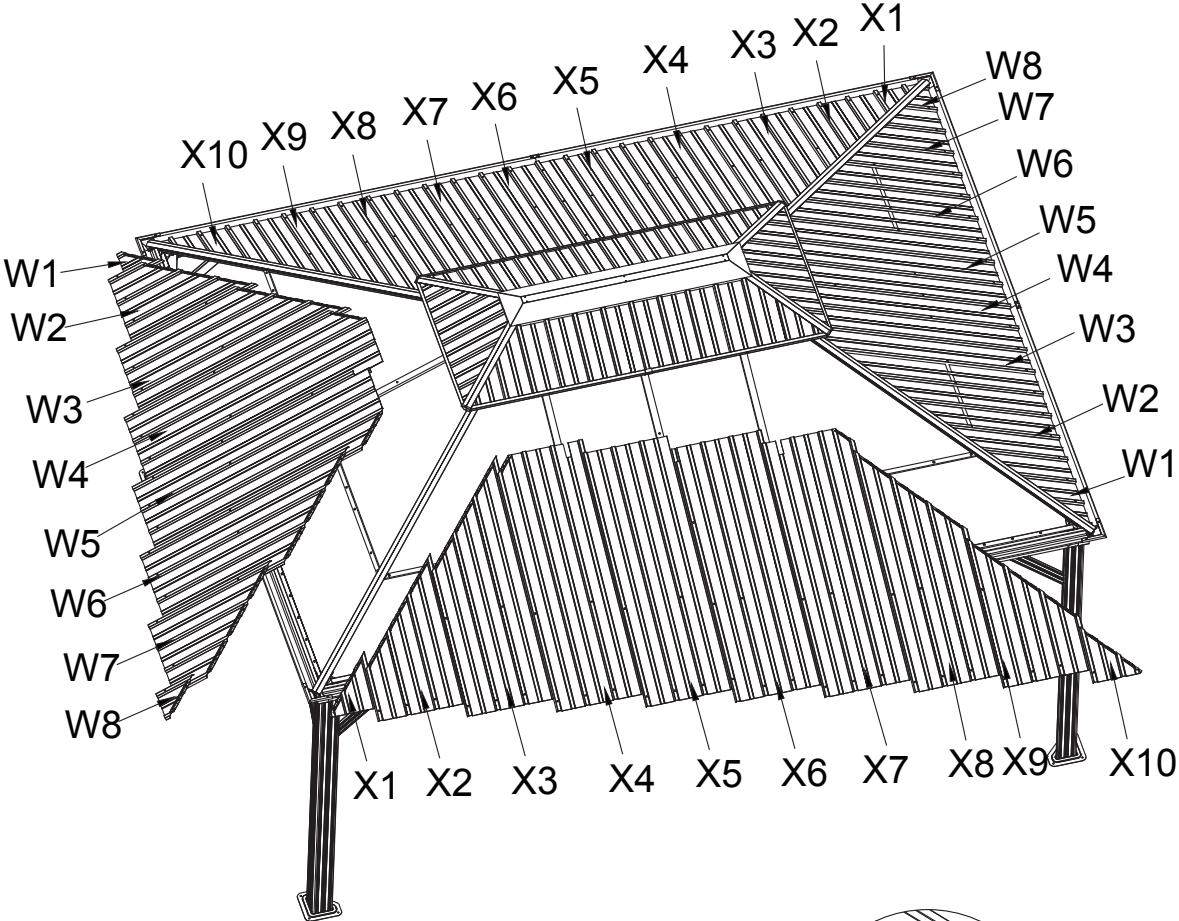


	X1 (x2)		X7 (x2)
	X2 (x2)		X8 (x2)
	X3 (x2)		X9 (x2)
	X4 (x2)		X10 (x2)
	X5 (x2)		Z (x28)
	X6 (x2)		Z1 (x8)

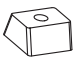


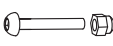


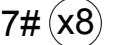


STEP 21

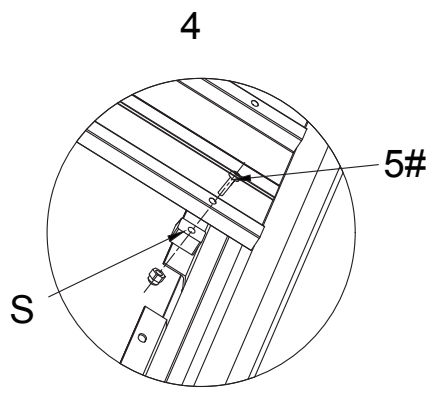
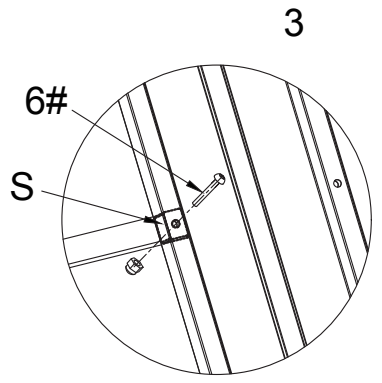
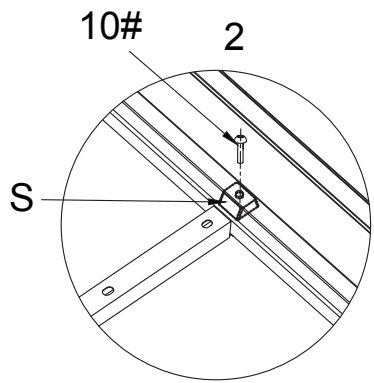
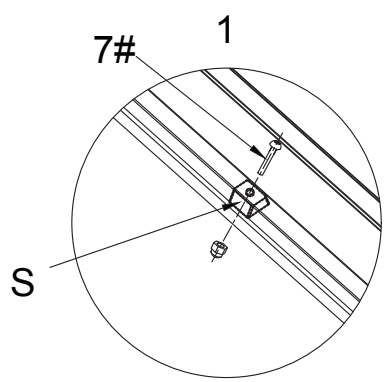
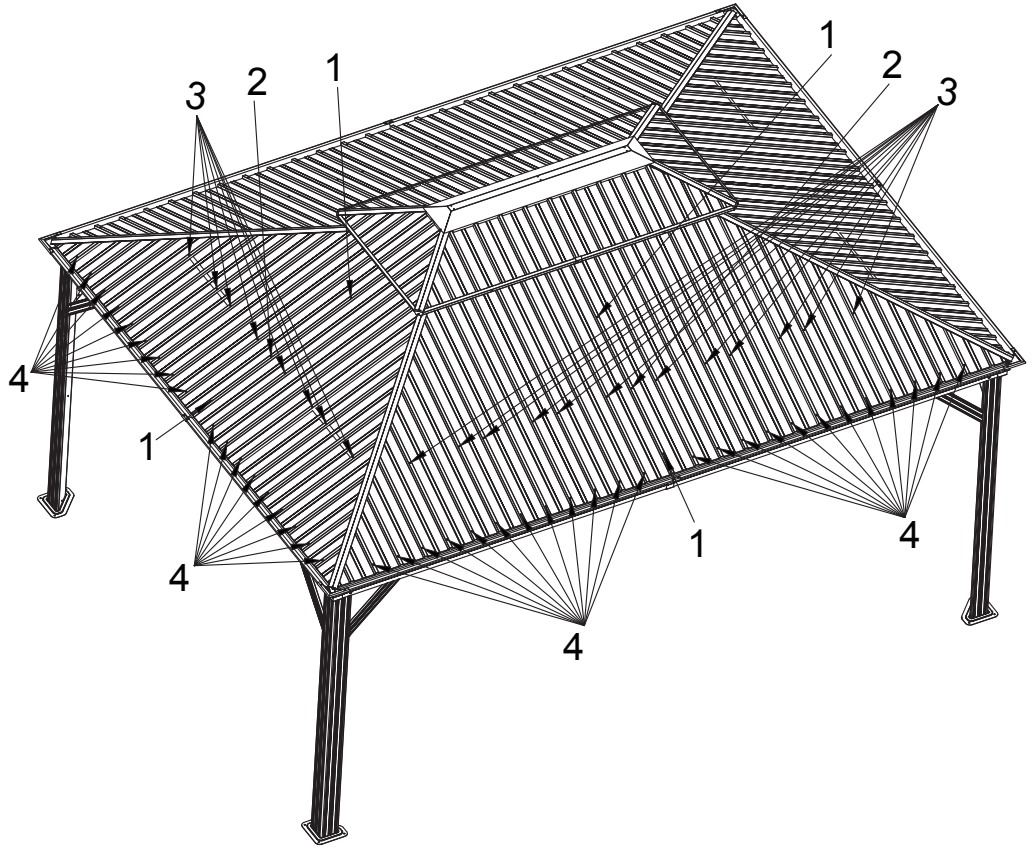


STEP 22

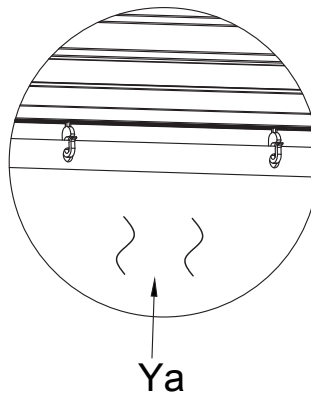
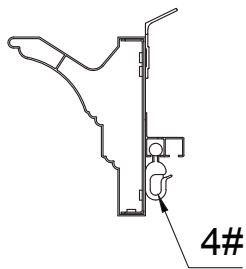
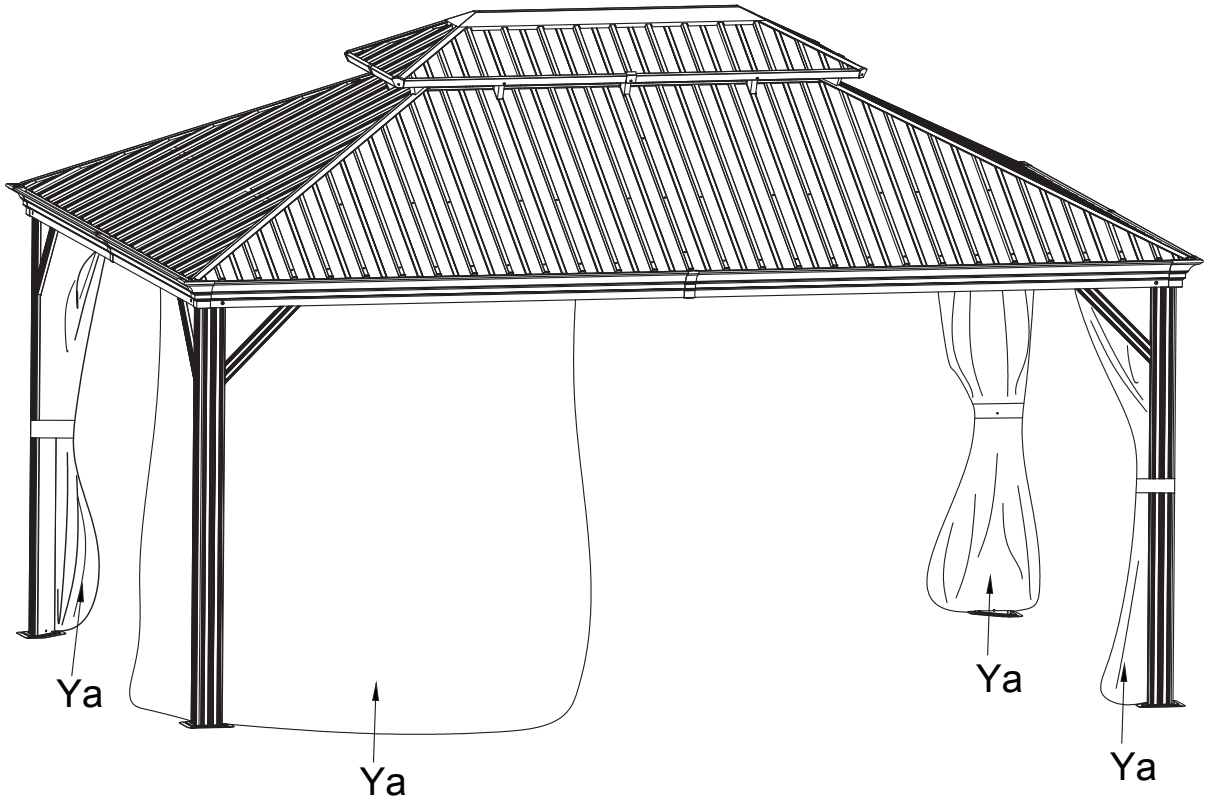
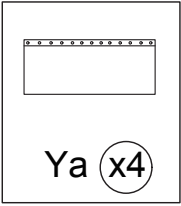


STEP 23

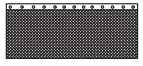
- 
S x136
- 
M6x23
- 
5#x84
- 
M6x47
- 
6#x40
- 
M6x42
- 
7#x8
- 
M6x23
- 
10#x4



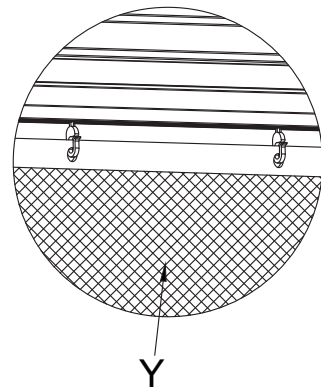
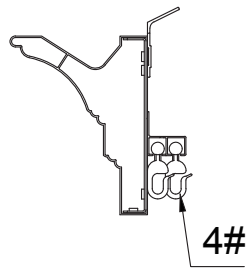
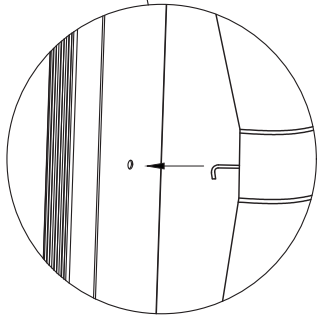
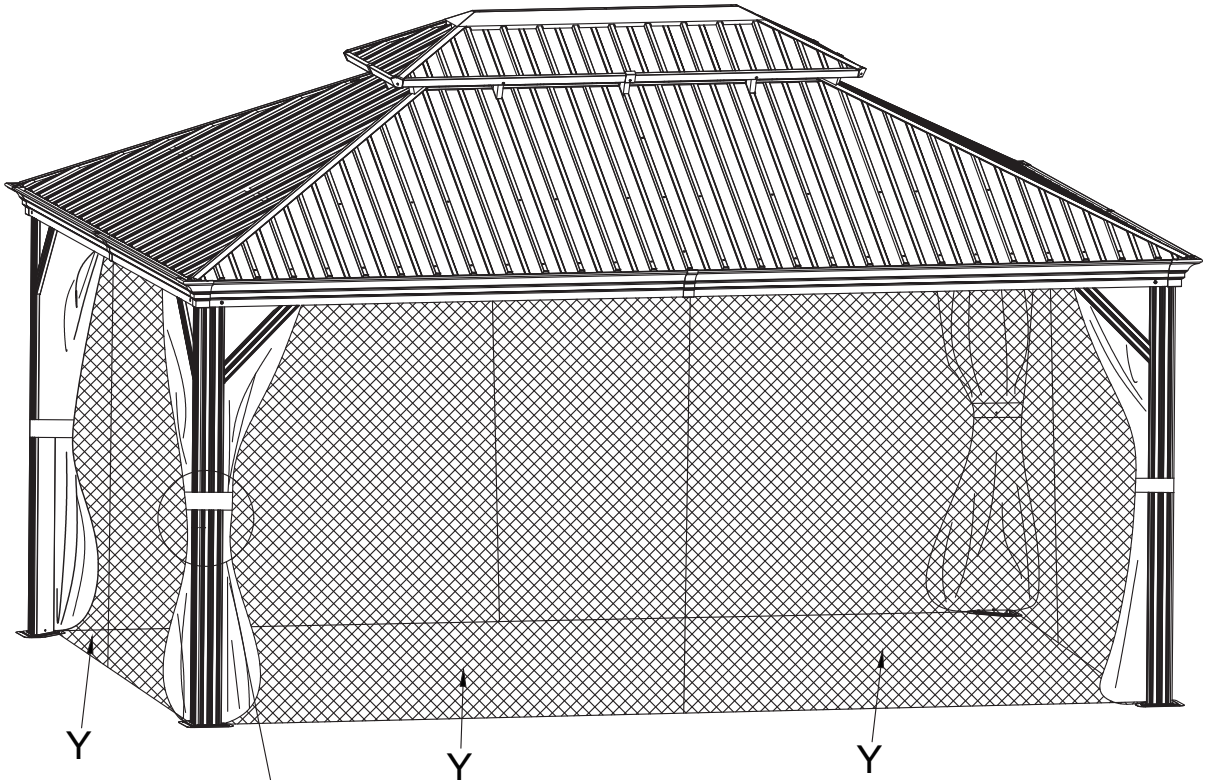
STEP 24




STEP 25



Y (x4)




M6x70
14#x12

STEP 26

