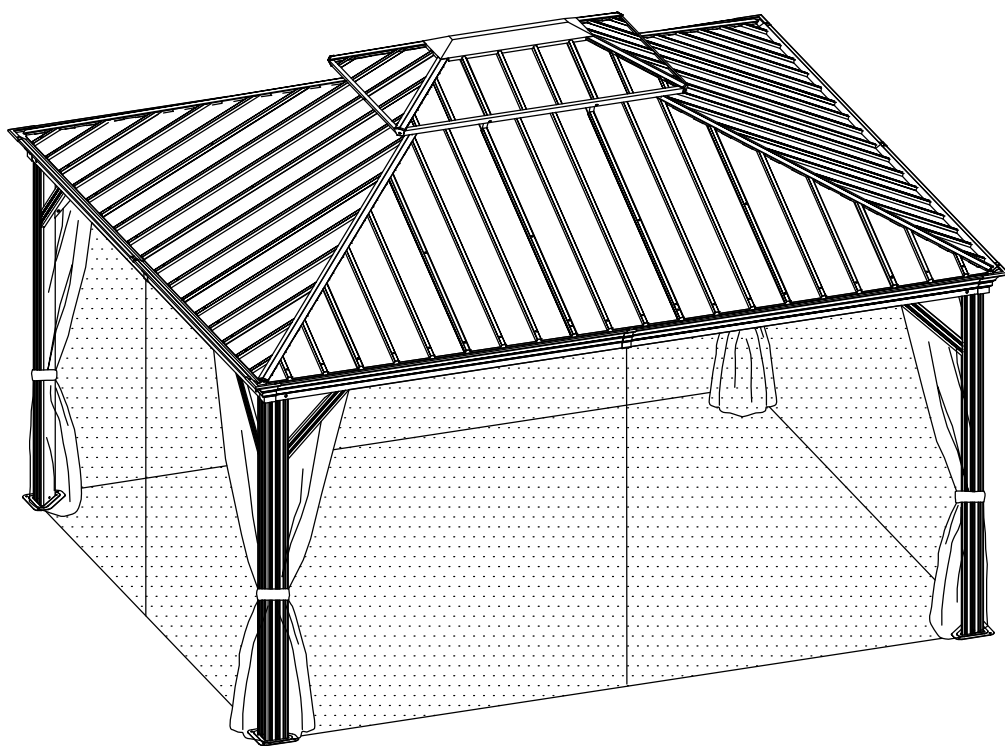


# 12 x 14FT

|| || || || || || || || XWG-215MS-1 || || || || || || || ||





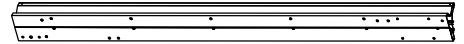
A 4x



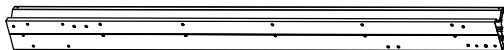
B1 2x



B2 2x



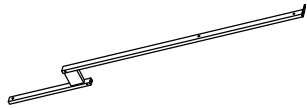
B3 2x



B4 2x



E 4x



E1 6x



C1 2x



C2 2x



C3 2x



C4 2x



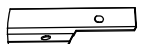
D 2x



D1 2x



D2 2x



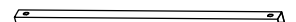
D3 2x



D4 2x



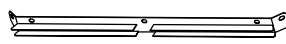
F1 8x



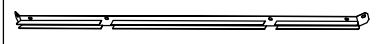
F2 2x



E5 4x



I1 2x



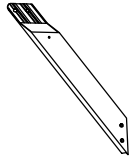
I2 2x



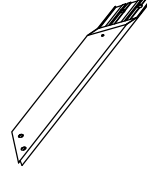
G1 2x



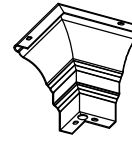
G2 2x



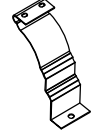
H 4x



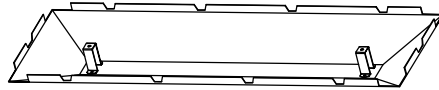
H1 4x



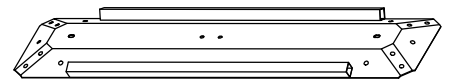
K 4x



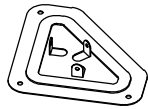
K1 4x



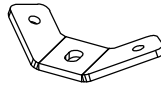
M2 1x



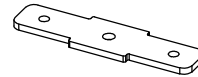
L2 1x



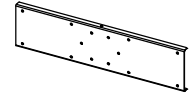
J 4x



W 4x



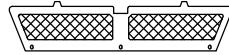
W1 6x



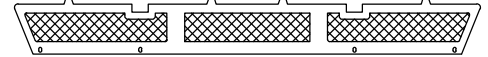
P 4x



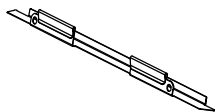
V 4x



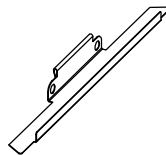
V1 2x



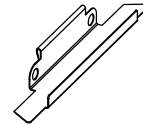
V2 2x



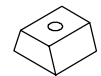
Z 64x



Z1 8x



Z2 8x



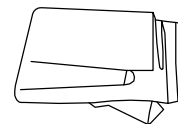
Y 88x



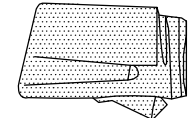
U 120x



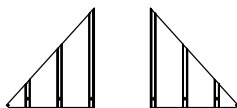
N 8x



T 4x

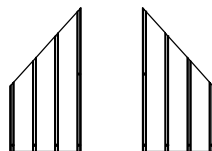


T1 4x



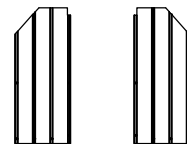
R1 4x

R2 4x



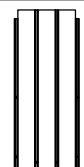
R3 4x

R4 4x

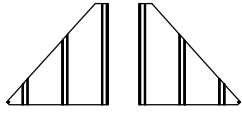


R5 4x

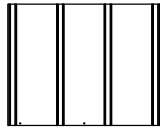
R6 4x



R7 2x



S1 4x S2 4x



S3 2x



M6x15

1 264x



M6x23

2 68x



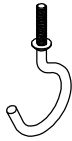
M6x25

3 6x



ST 4.8x12

4 24x



5 2x



M6x42

6 6x



M6x47

7 8x



8 16x

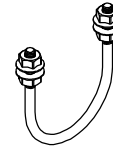


M6x10

9 8x



10 12x



11 1x



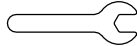
4mm

12 2x



6mm

13 1x



14 1x

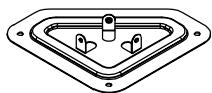


A 4x



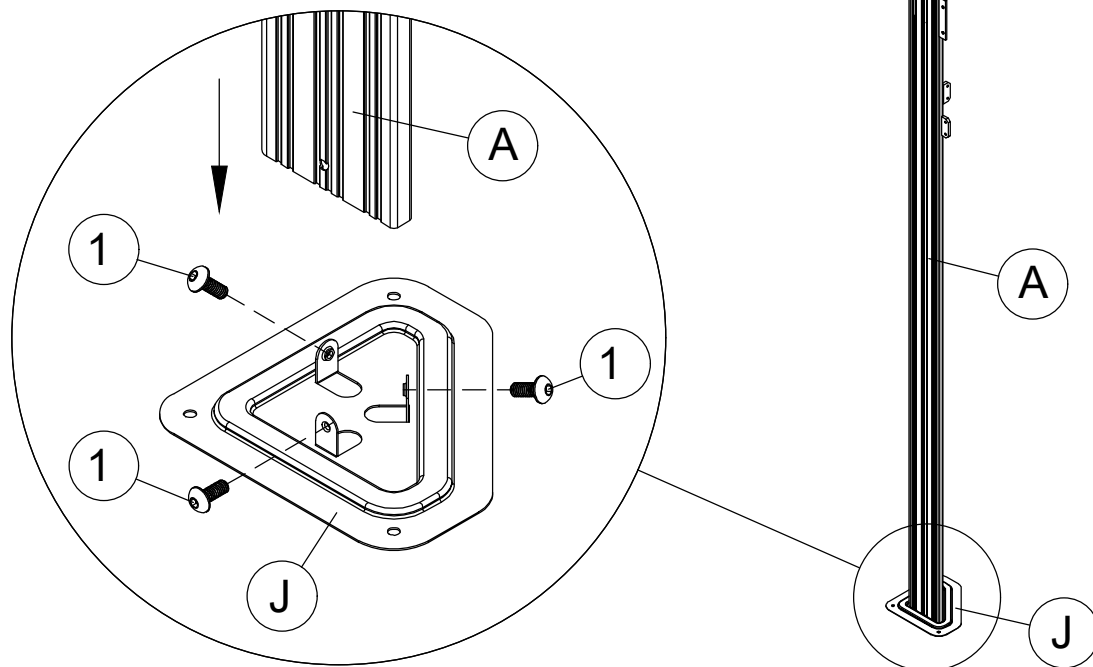
M6x15

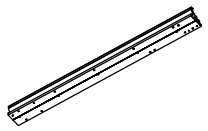
1 12x



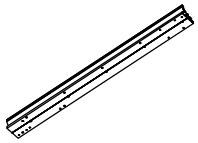
J 4x

<1>





B1 2x



B2 2x



C1 2x



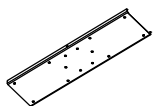
C2 2x



D1 2x



D2 2x



P 2x

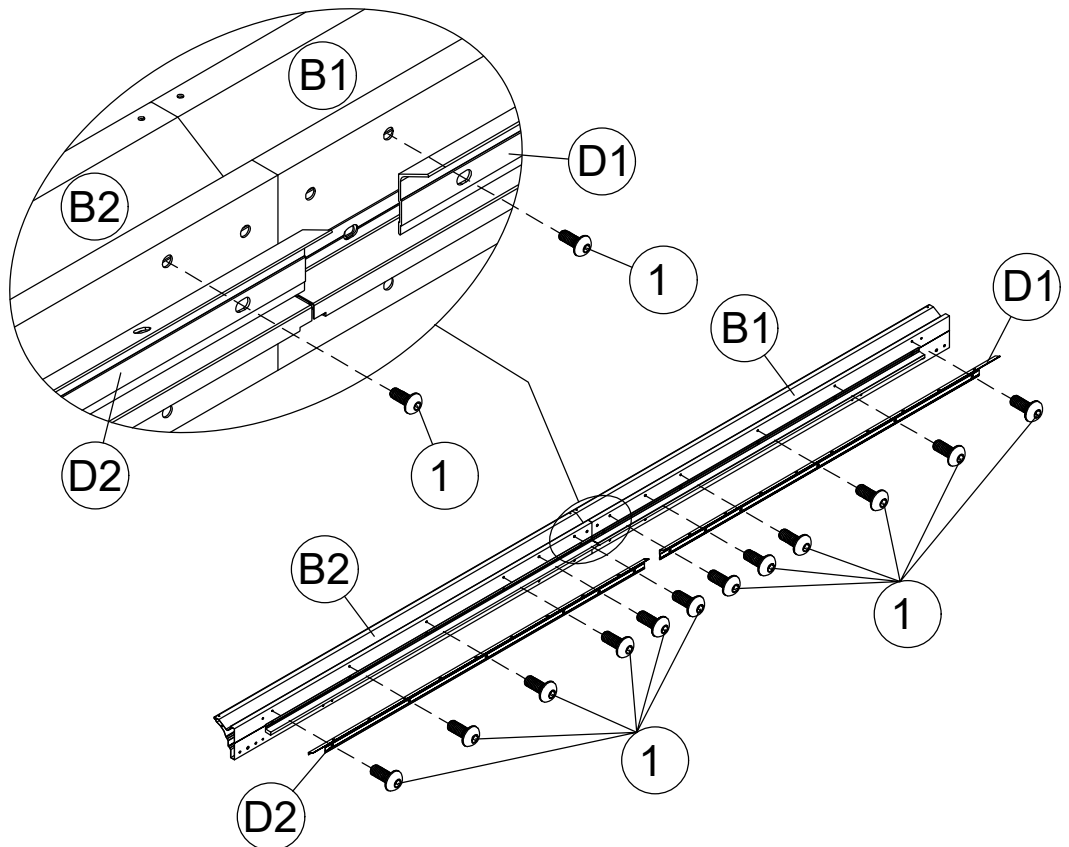
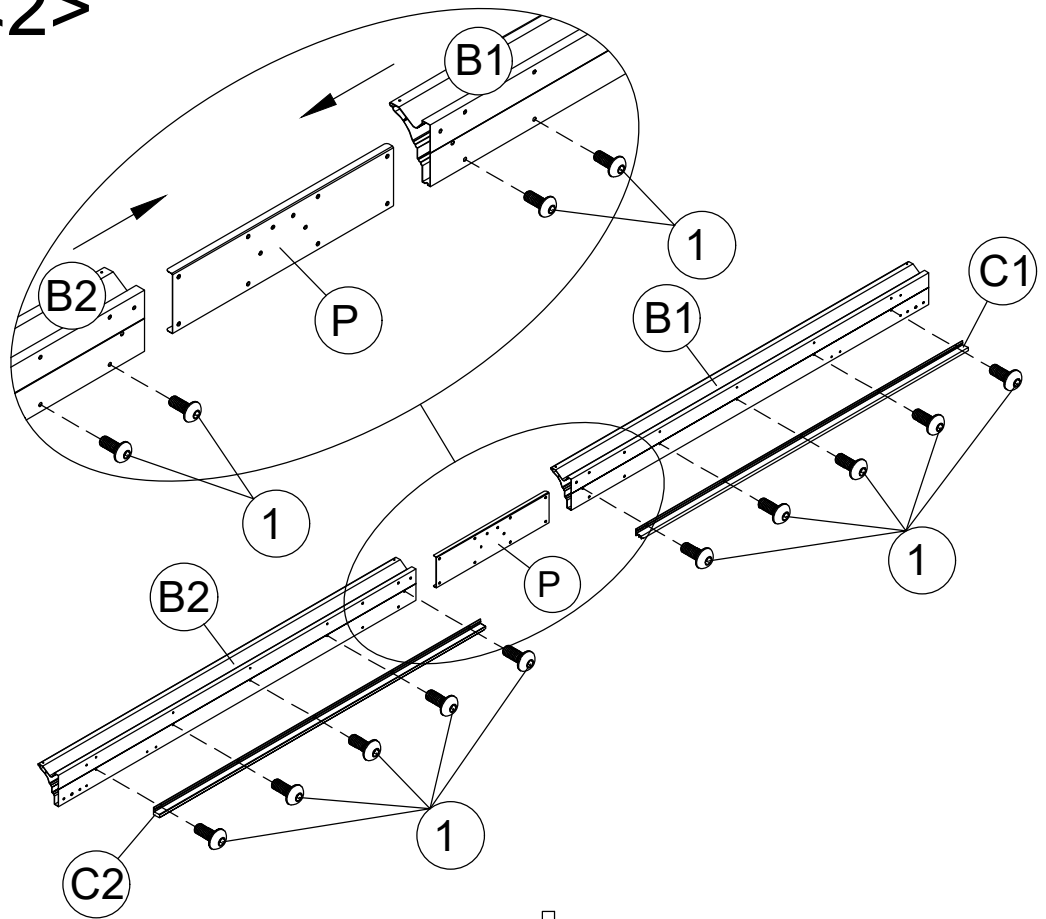


M6x15

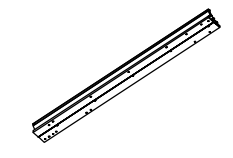
1 52x

6

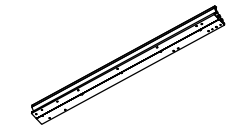
<2>



<3>



B3 2x



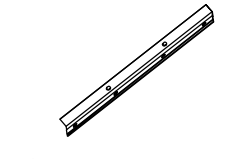
B4 2x



C3 2x



C4 2x



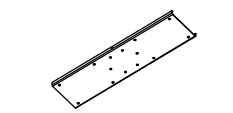
D 2x



D3 2x



D4 2x



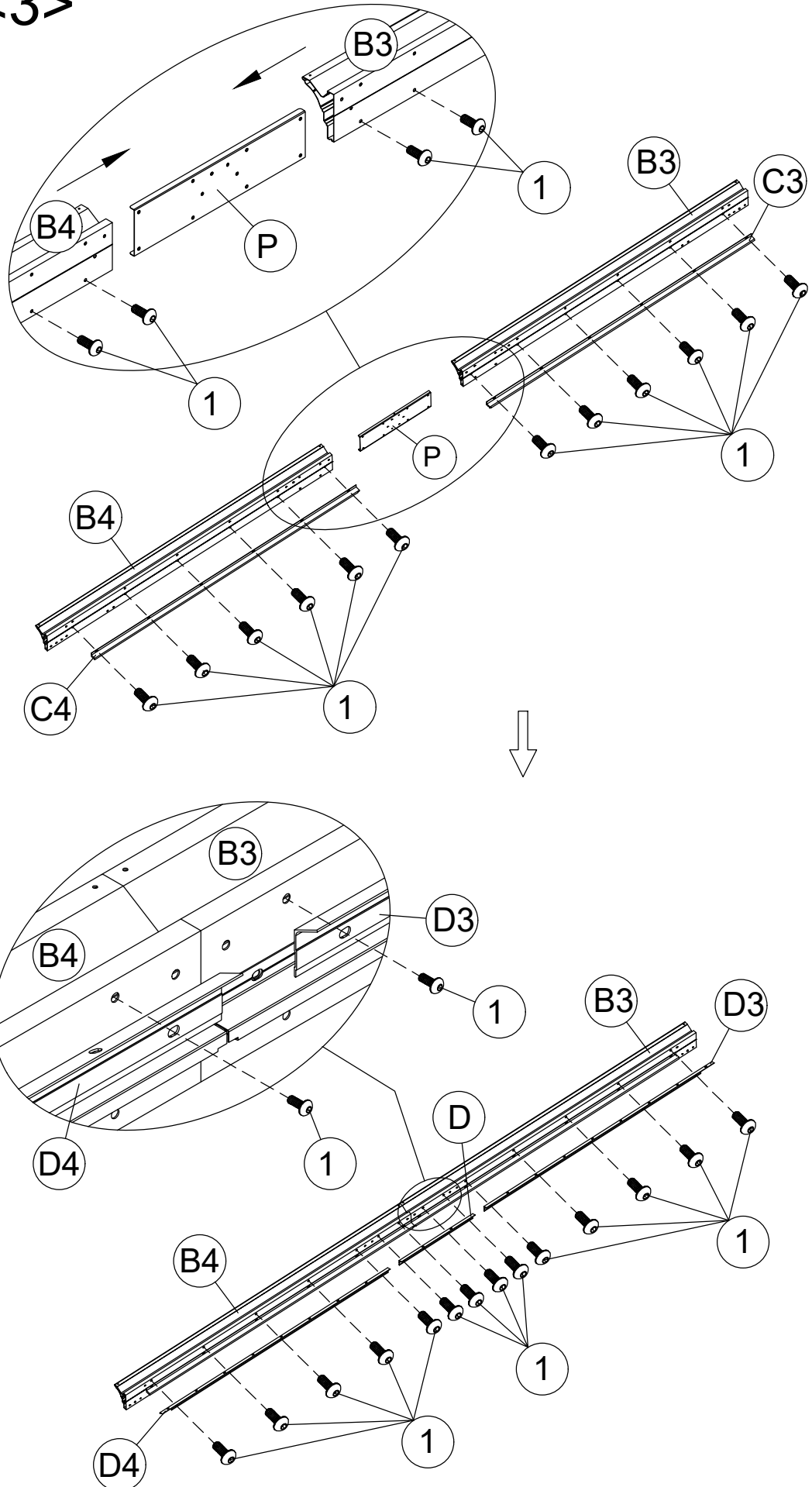
P 2x



M6x15

1 60x

7





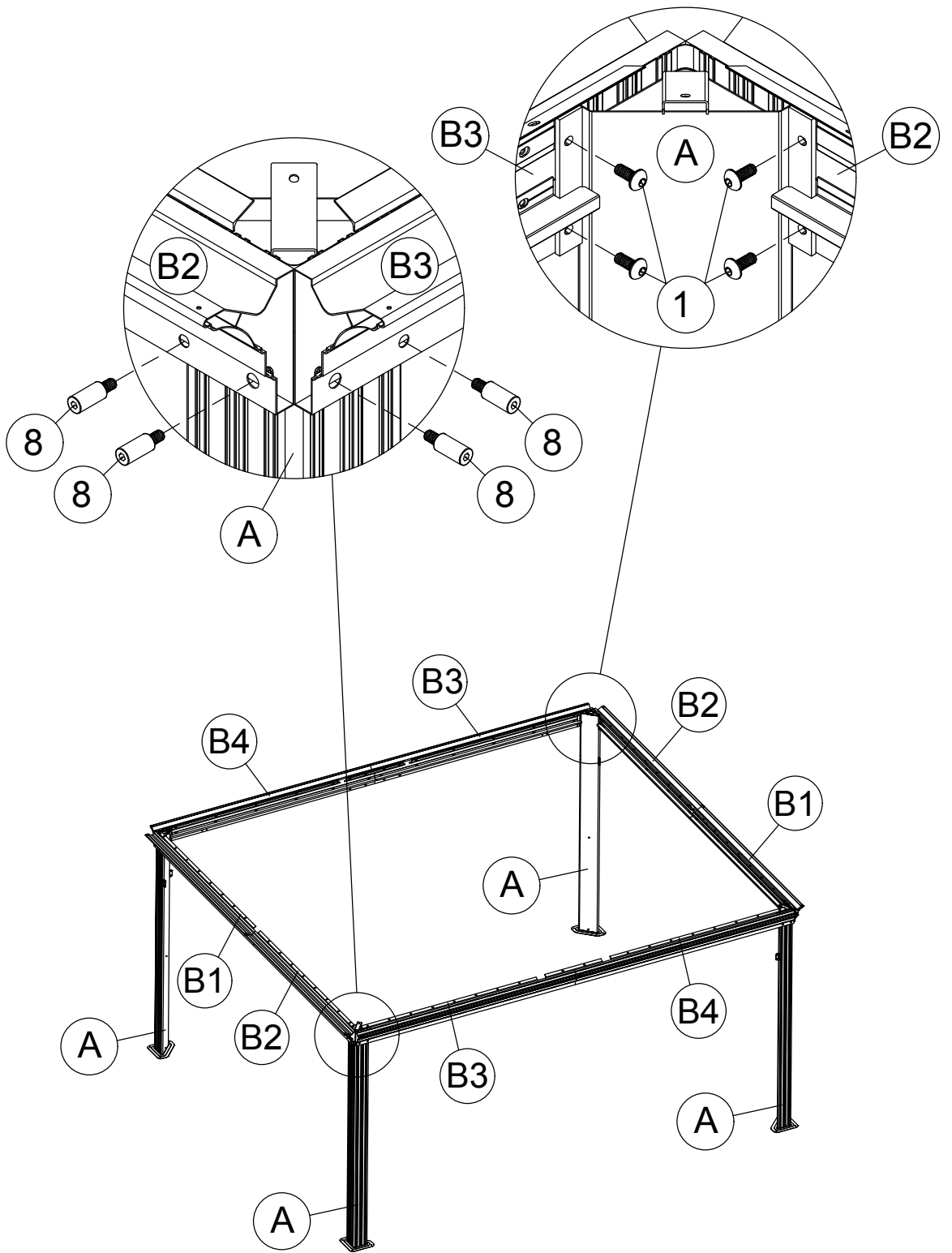
M6x15

1 16x

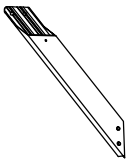


8 16x

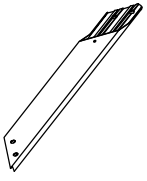
<4>







H 4x



H1 4x



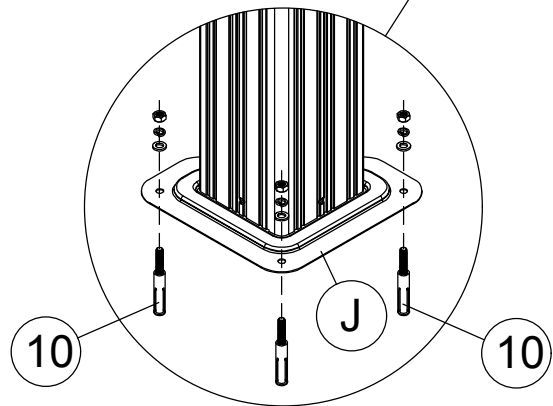
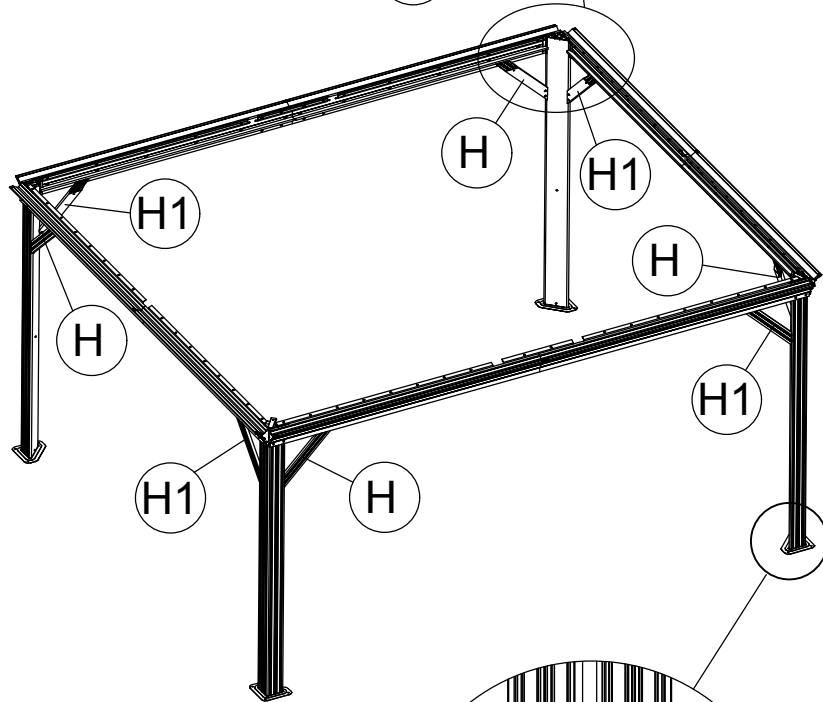
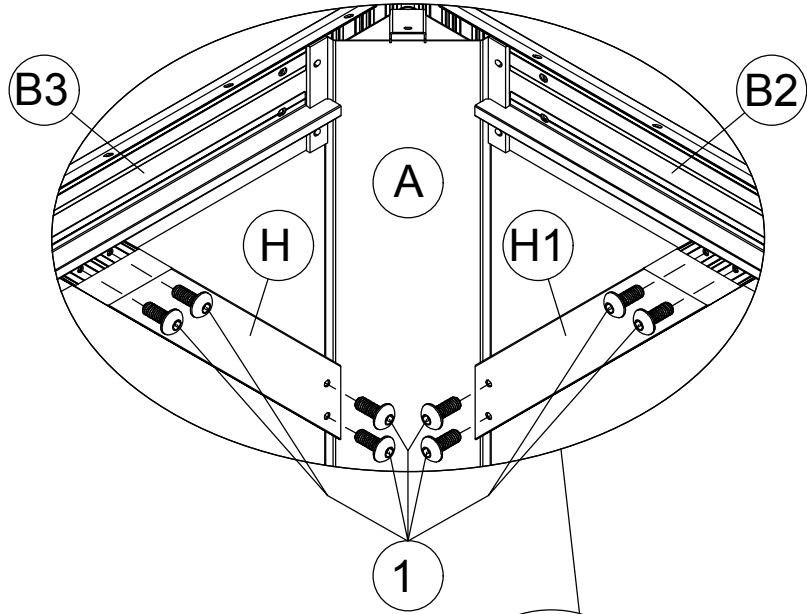
M6x15

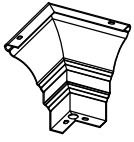
1 32x



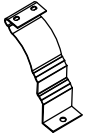
10 12x

<5>





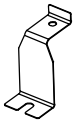
**K** 4x



**K1** 4x



**U** 120x



**V** 4x



M6x15

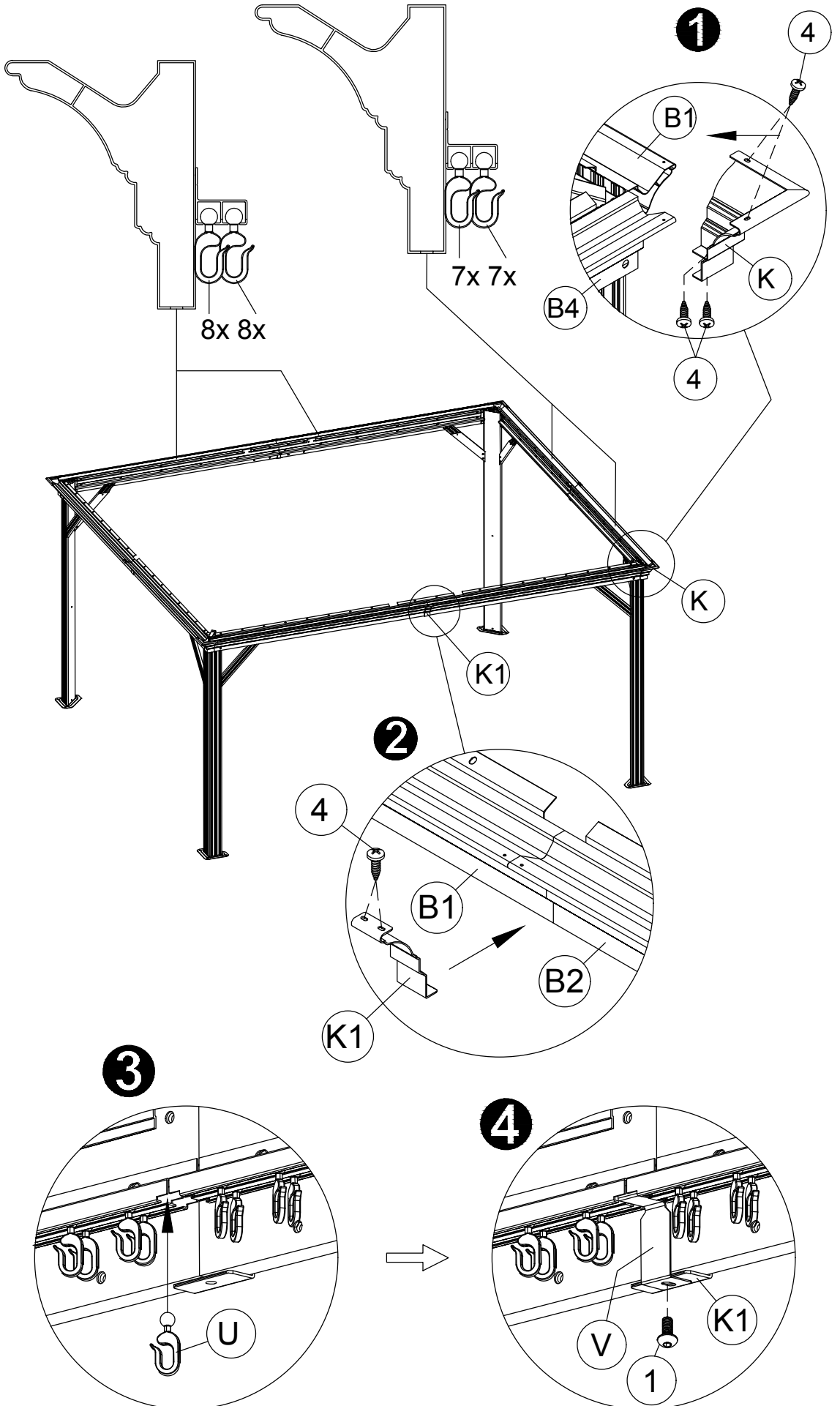
**1** 4x

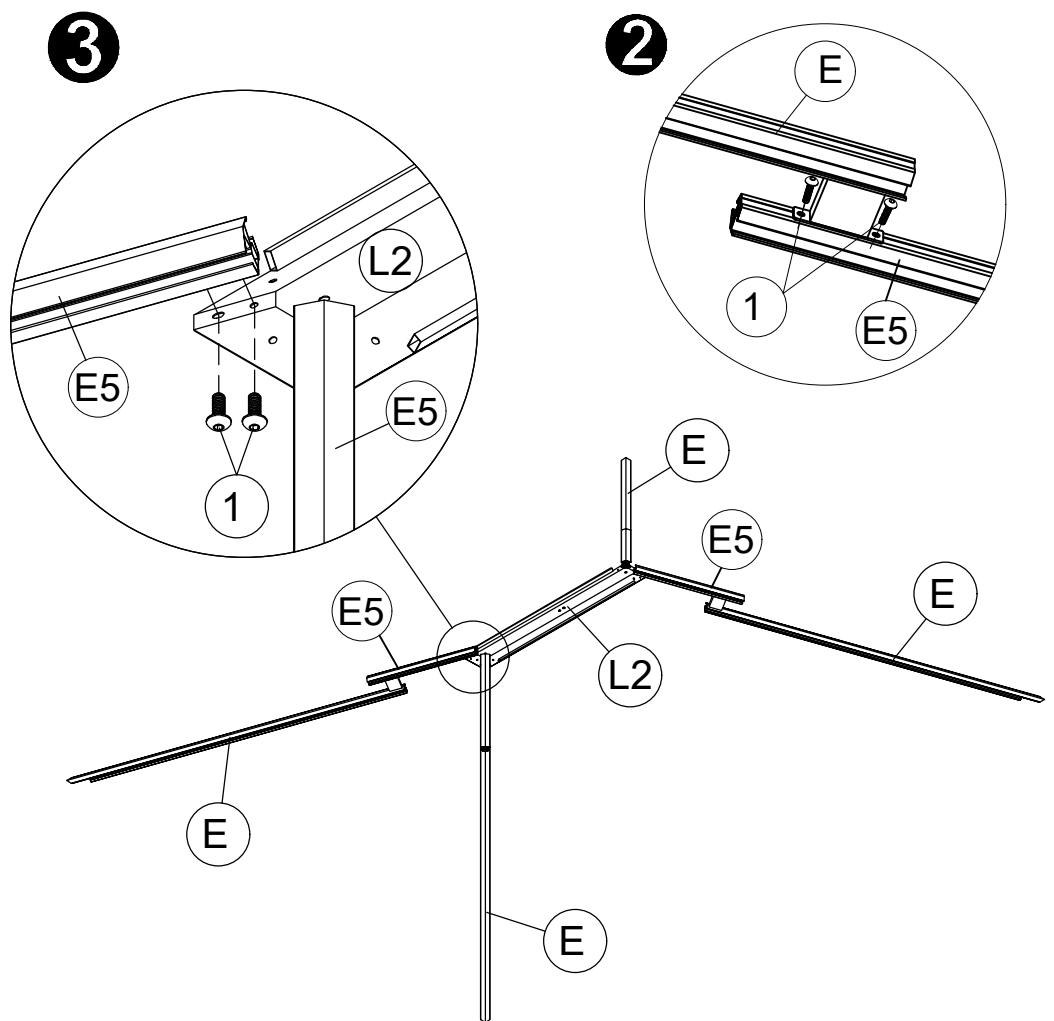
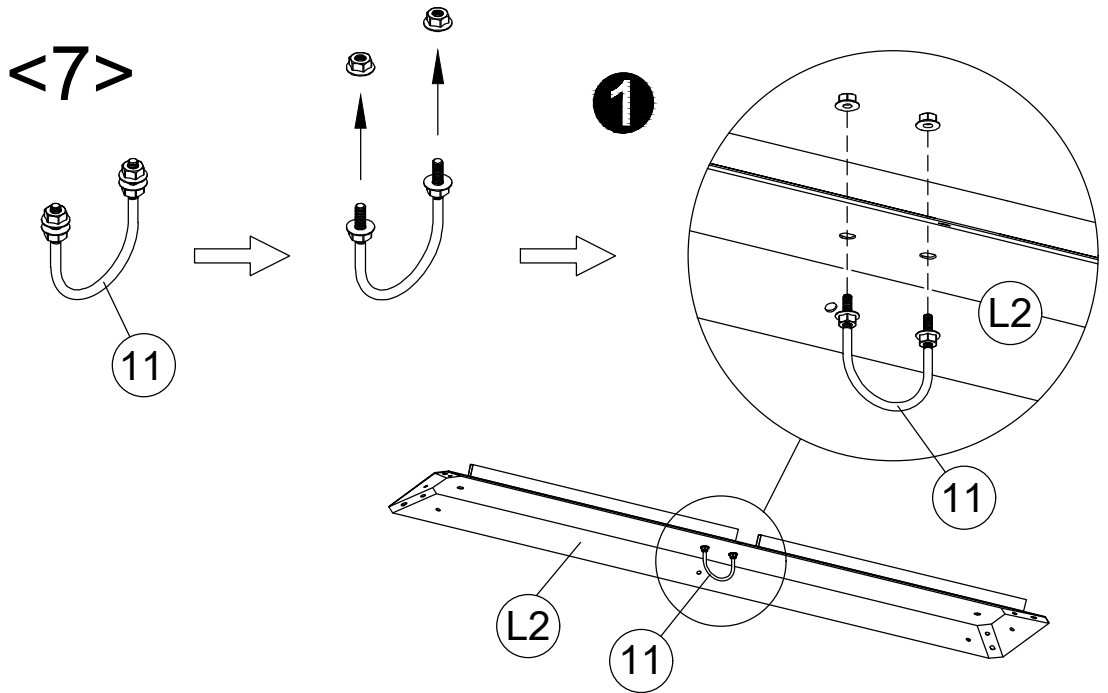
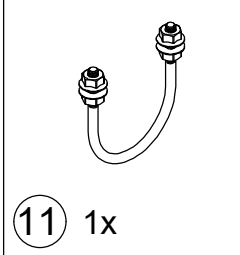
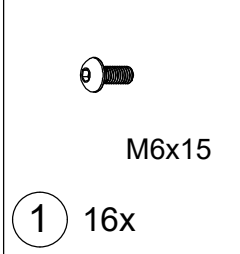
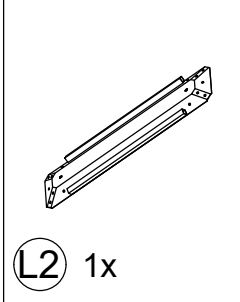
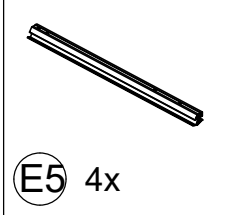
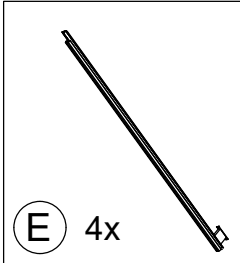


ST 4.8x12

**4** 24x

<6>



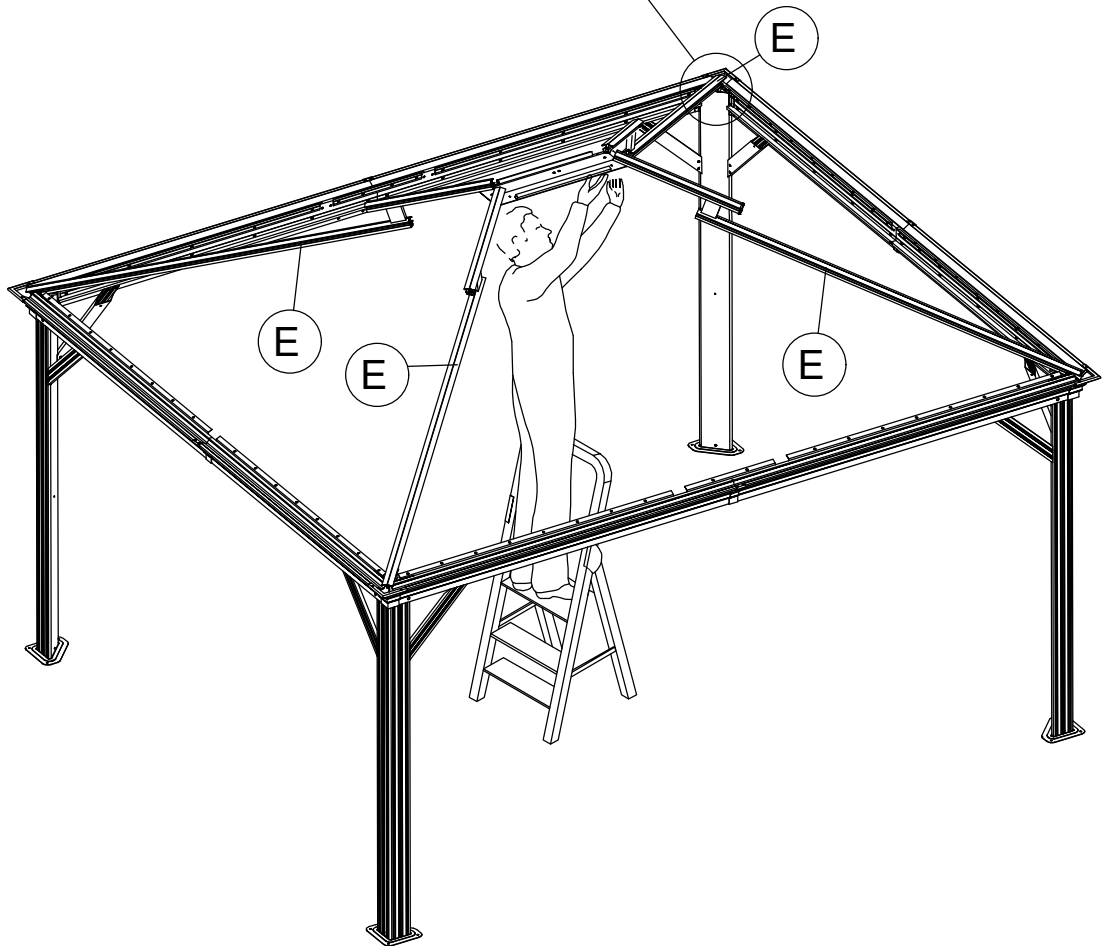
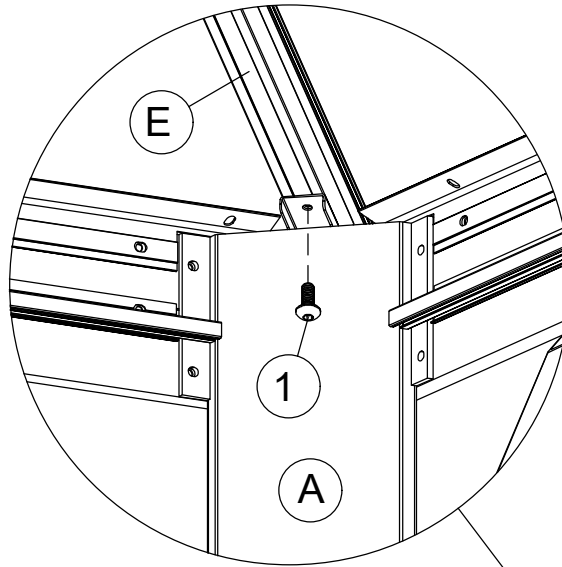




M6x15

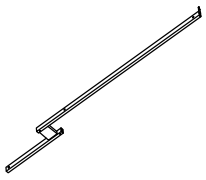
1 4x

<8>



Note:

1. Let one person stand on the ladder to lift "L2" and hold and let others fasten the screws connecting both ends of "E".
2. Please do not let go of holding "L2" until all the "E" screws are installed.



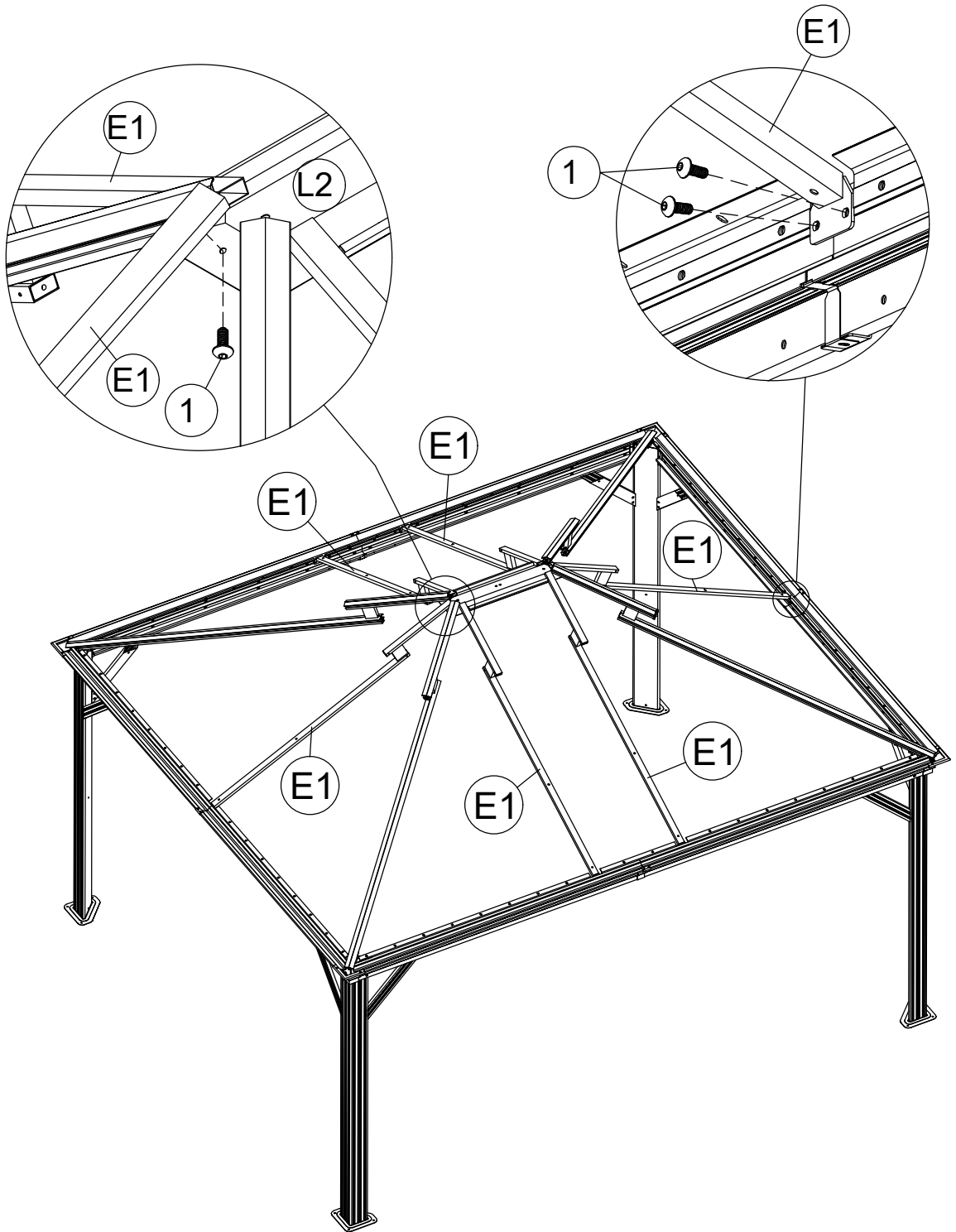
E1 6x

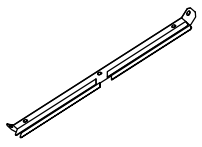


M6x15

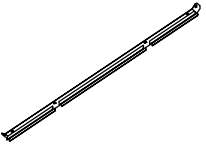
1 18x

<9>





I1 2x



I2 2x



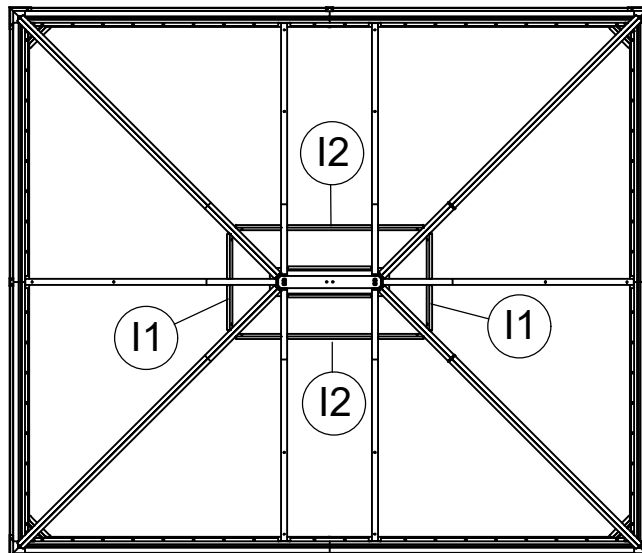
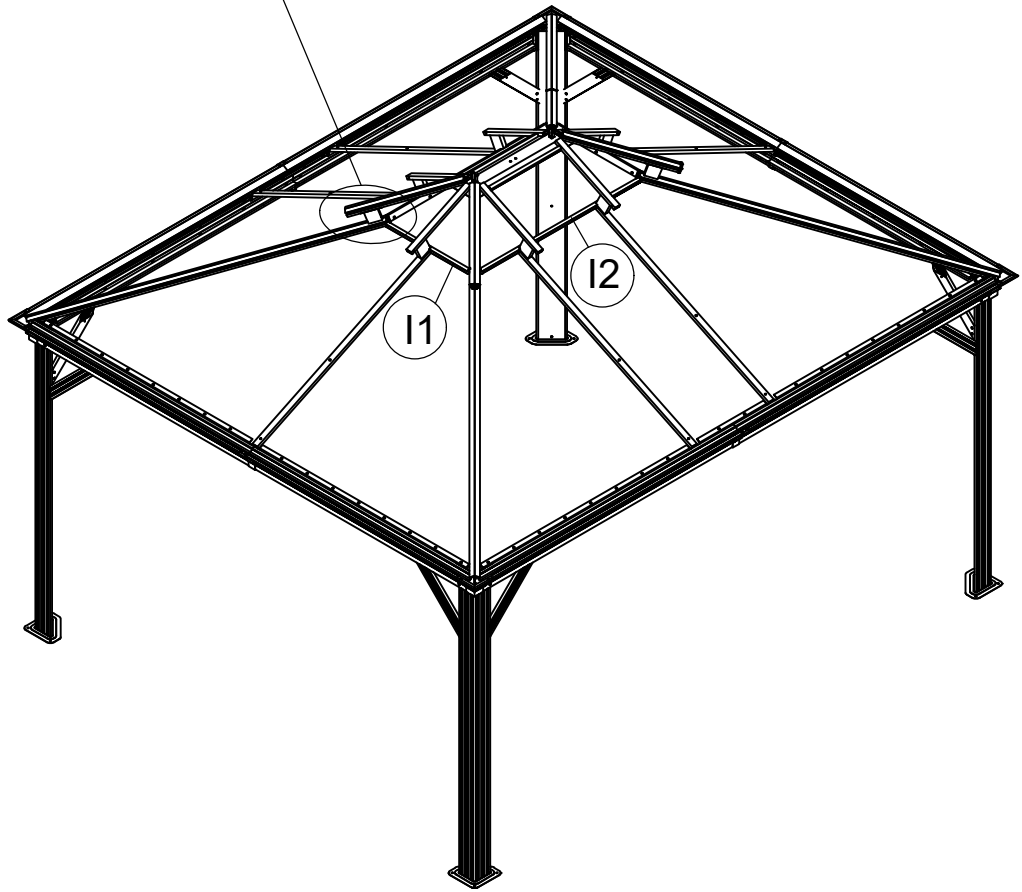
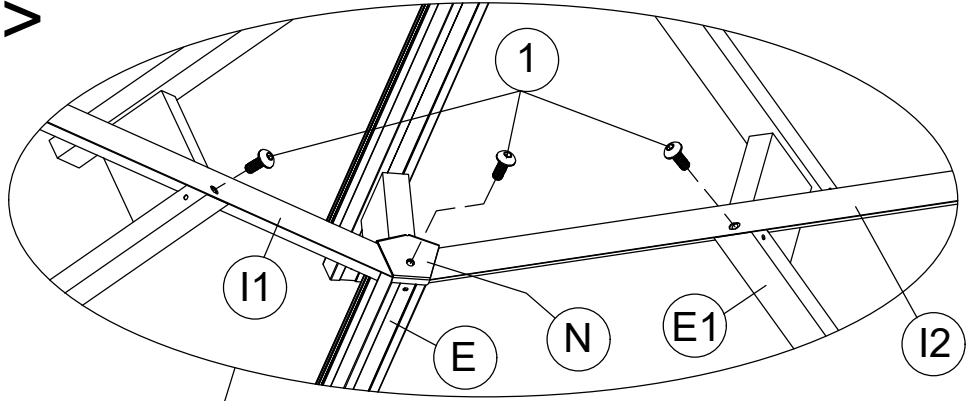
N 4x



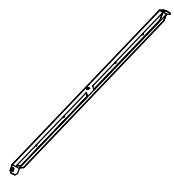
M6x15

1 10x

<10>



<11>



G1 2x



G2 2x

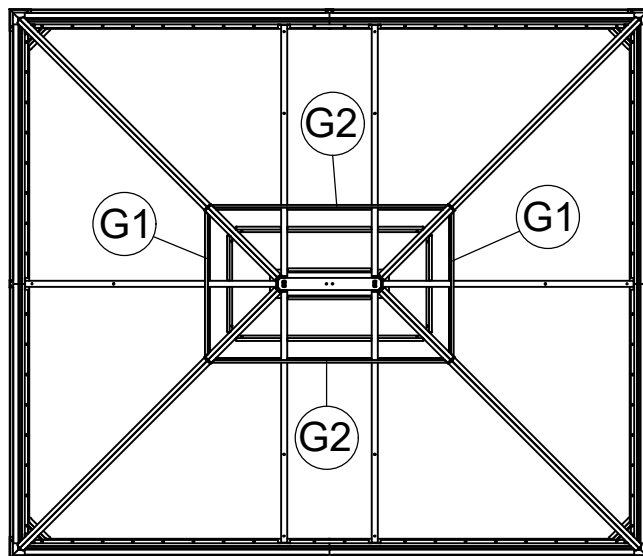
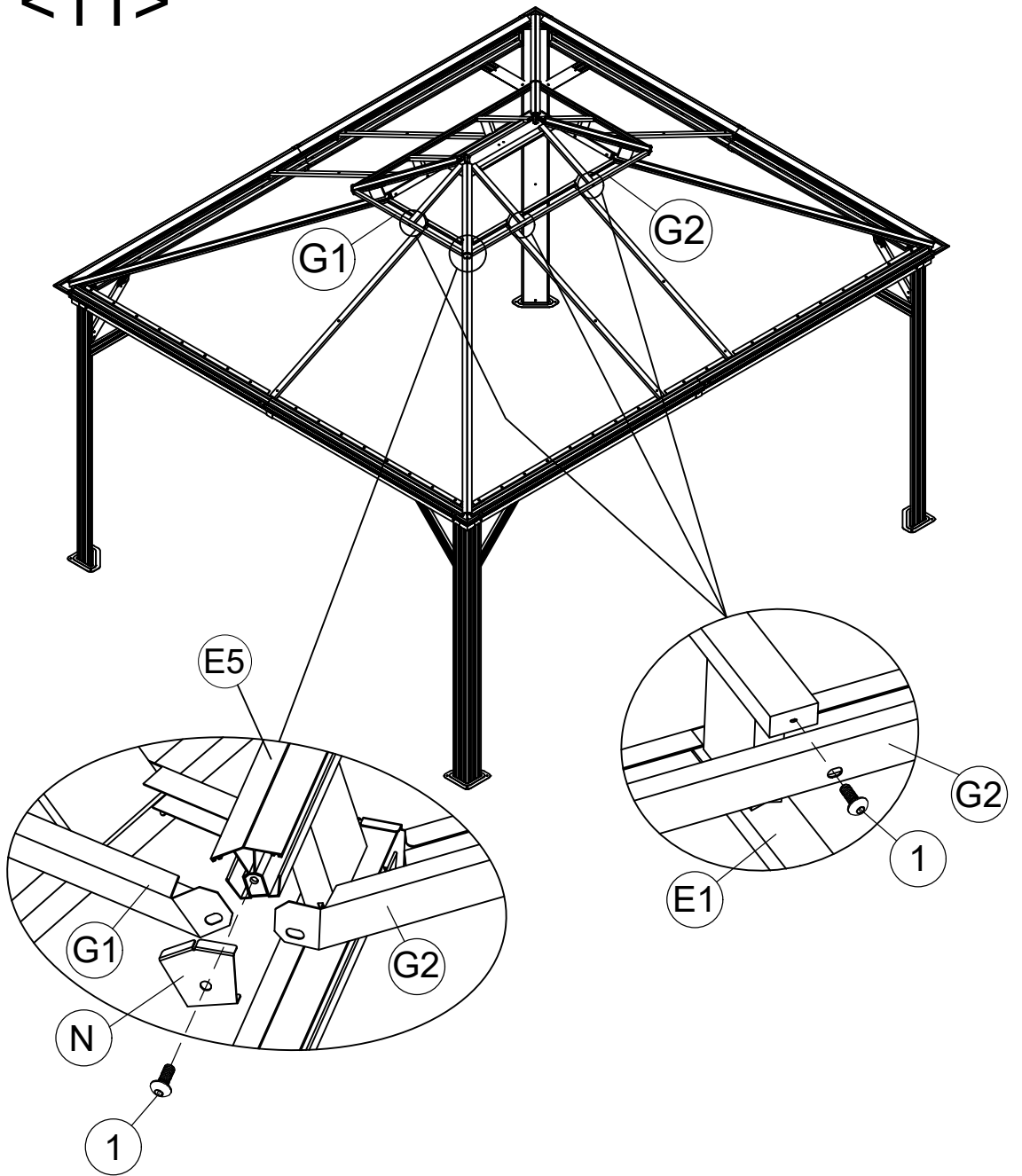


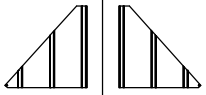
N 4x



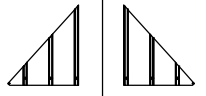
M6x15

1 10x

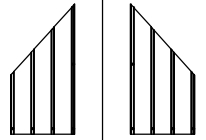




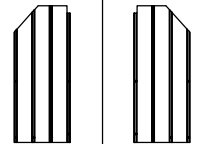
(S1) 2x (S2) 2x



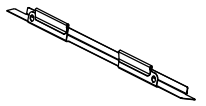
(R1) 2x (R2) 2x



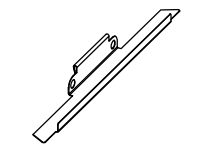
(R3) 2x (R4) 2x



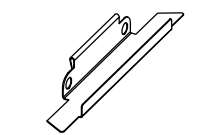
(R5) 2x (R6) 2x



(Z) 32x

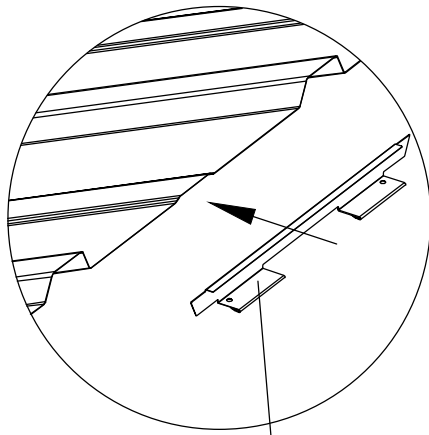


(Z1) 4x

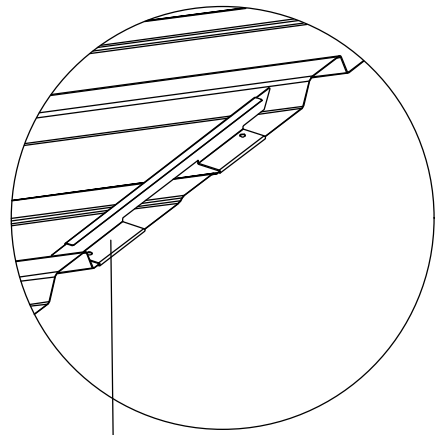
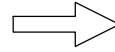


(Z2) 4x

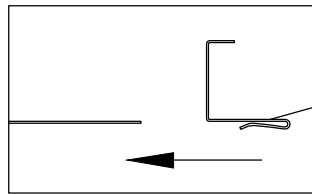
<12>



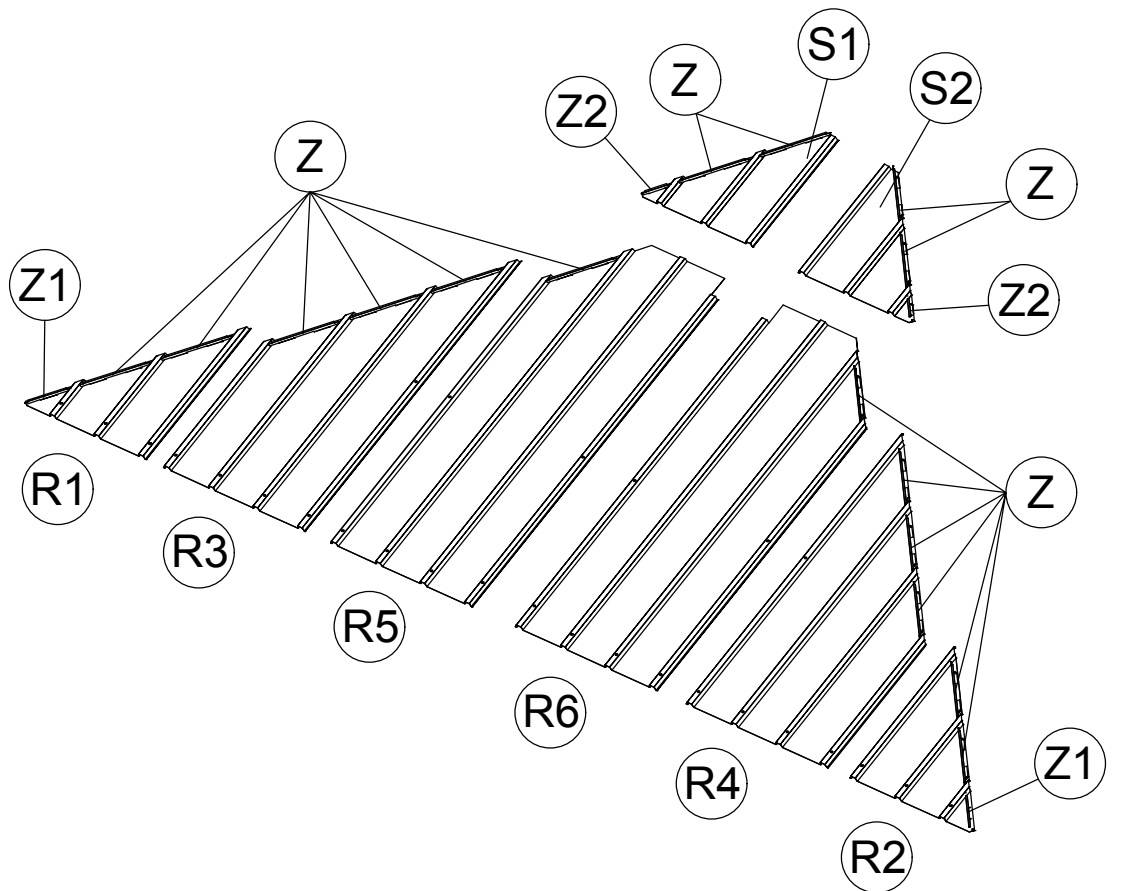
(Z) or (Z1) or (Z2)



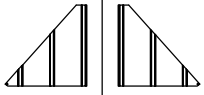
(Z) or (Z1) or (Z2)



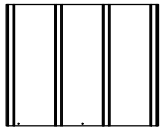
(Z) or (Z1) or (Z2)



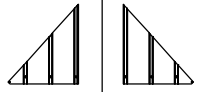




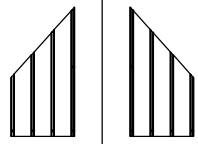
(S1) 2x (S2) 2x



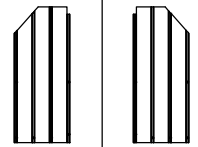
(S3) 2x



(R1) 2x (R2) 2x



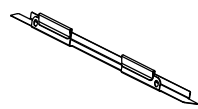
(R3) 2x (R4) 2x



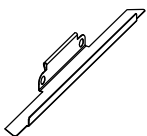
(R5) 4x (R6) 4x



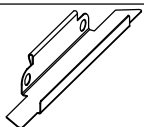
(R7) 2x



(Z) 32x

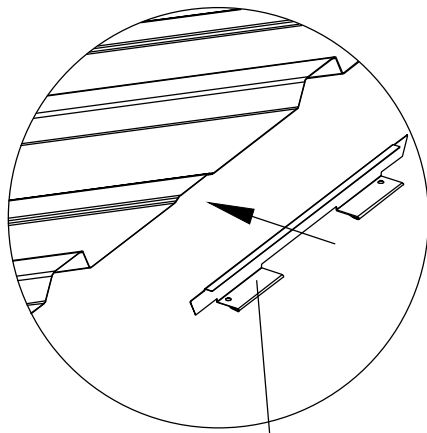


(Z1) 4x

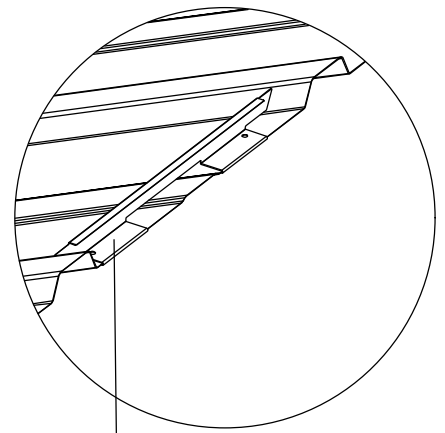
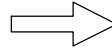


(Z2) 4x

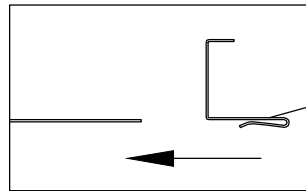
<13>



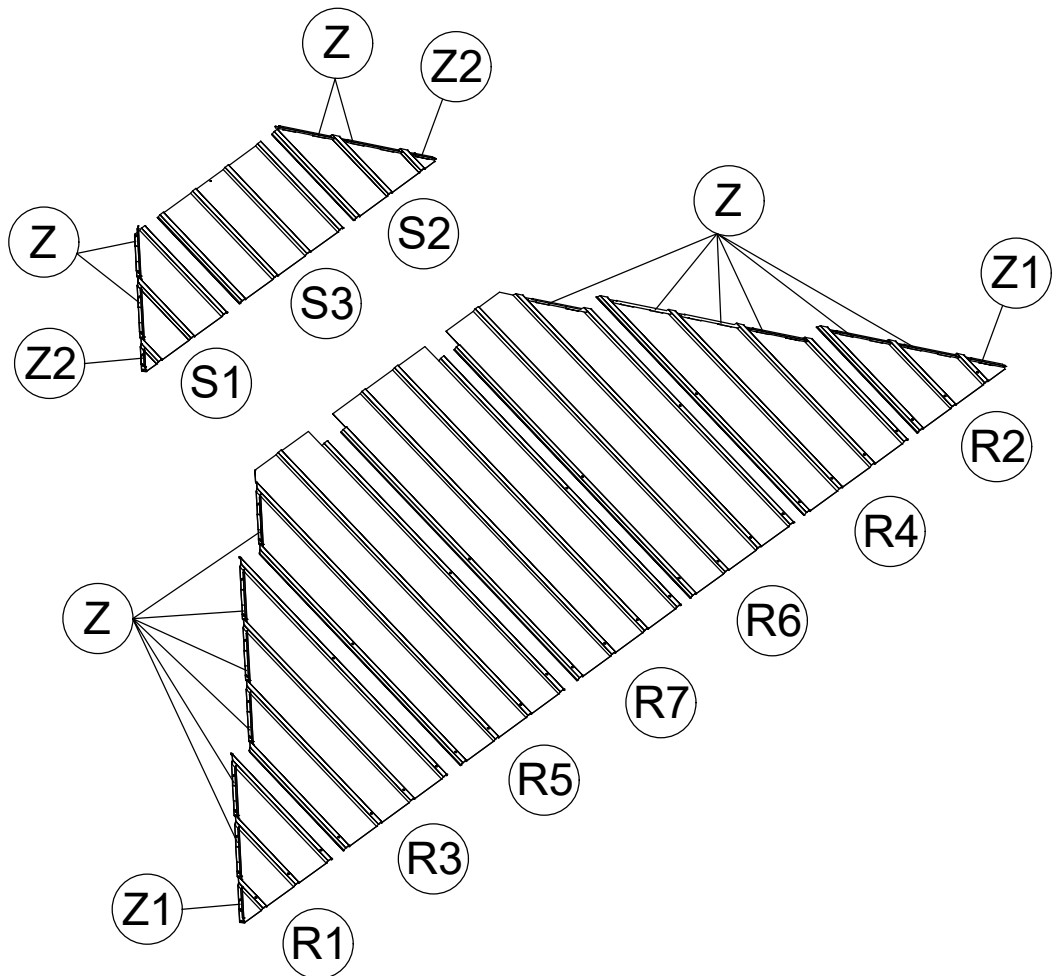
(Z) or (Z1) or (Z2)



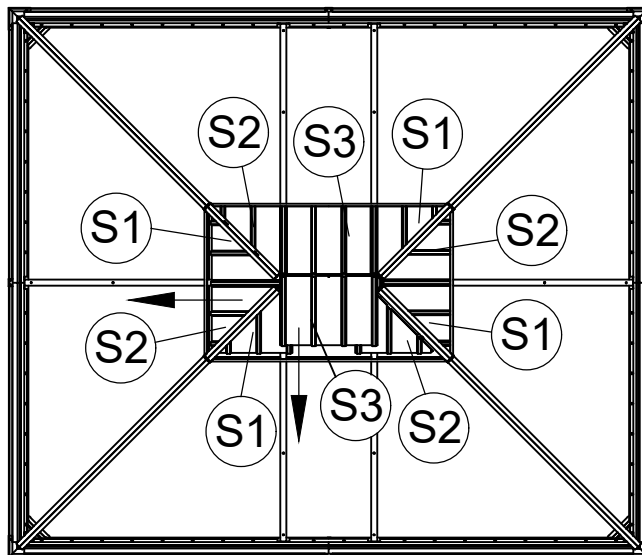
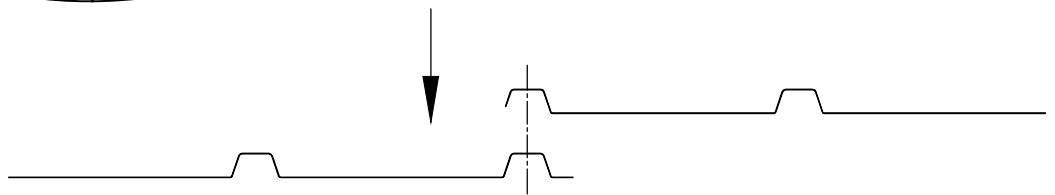
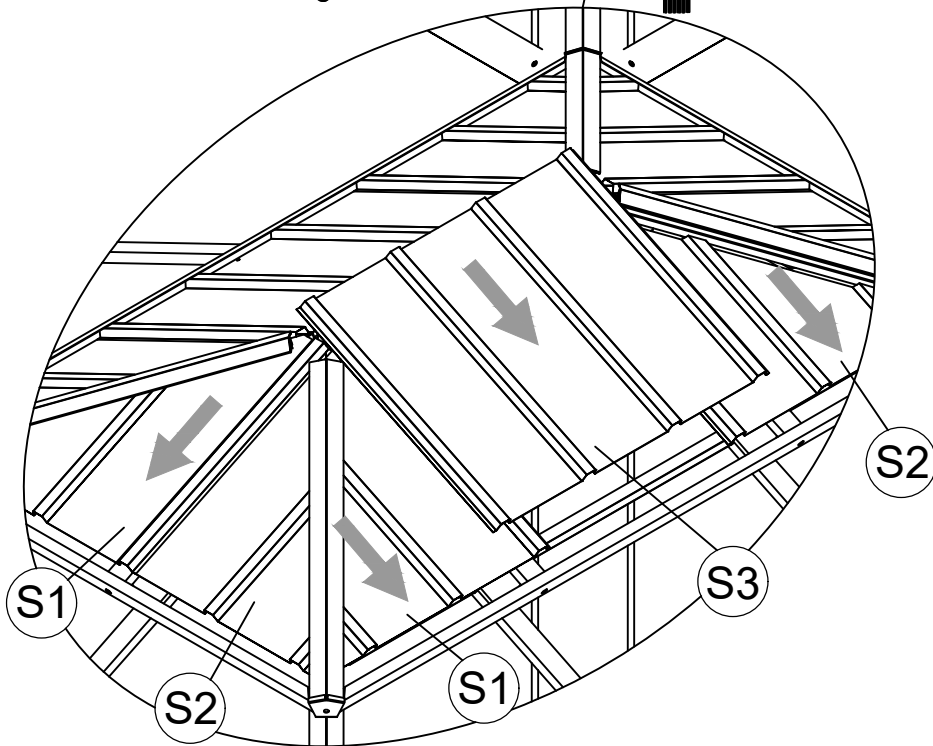
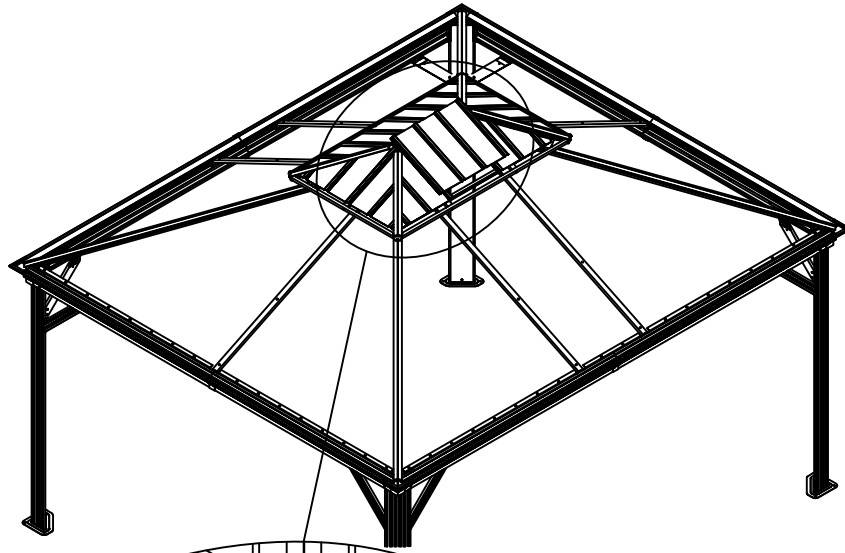
(Z) or (Z1) or (Z2)

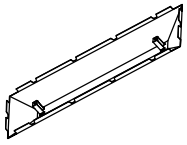


(Z) or (Z1) or (Z2)



<14>



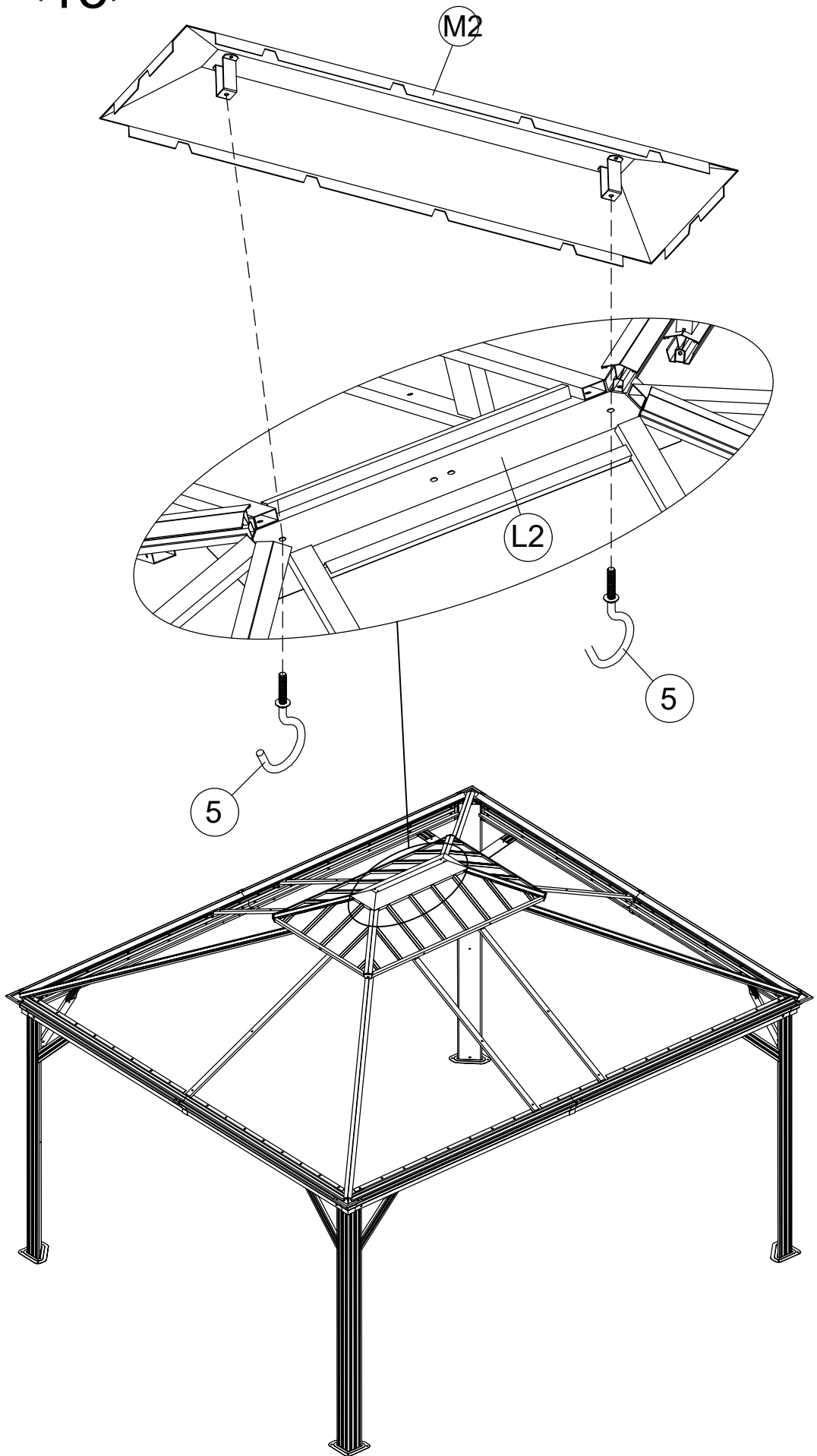


M2 1x



5 2x

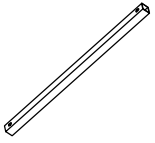
<15>



<16>



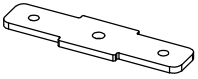
F1 8x



F2 2x



W 4x

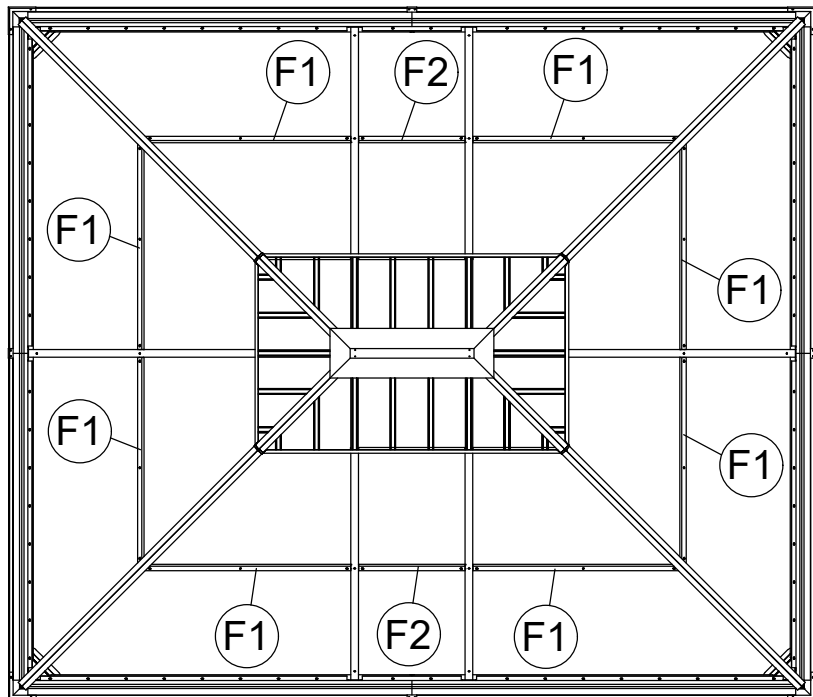
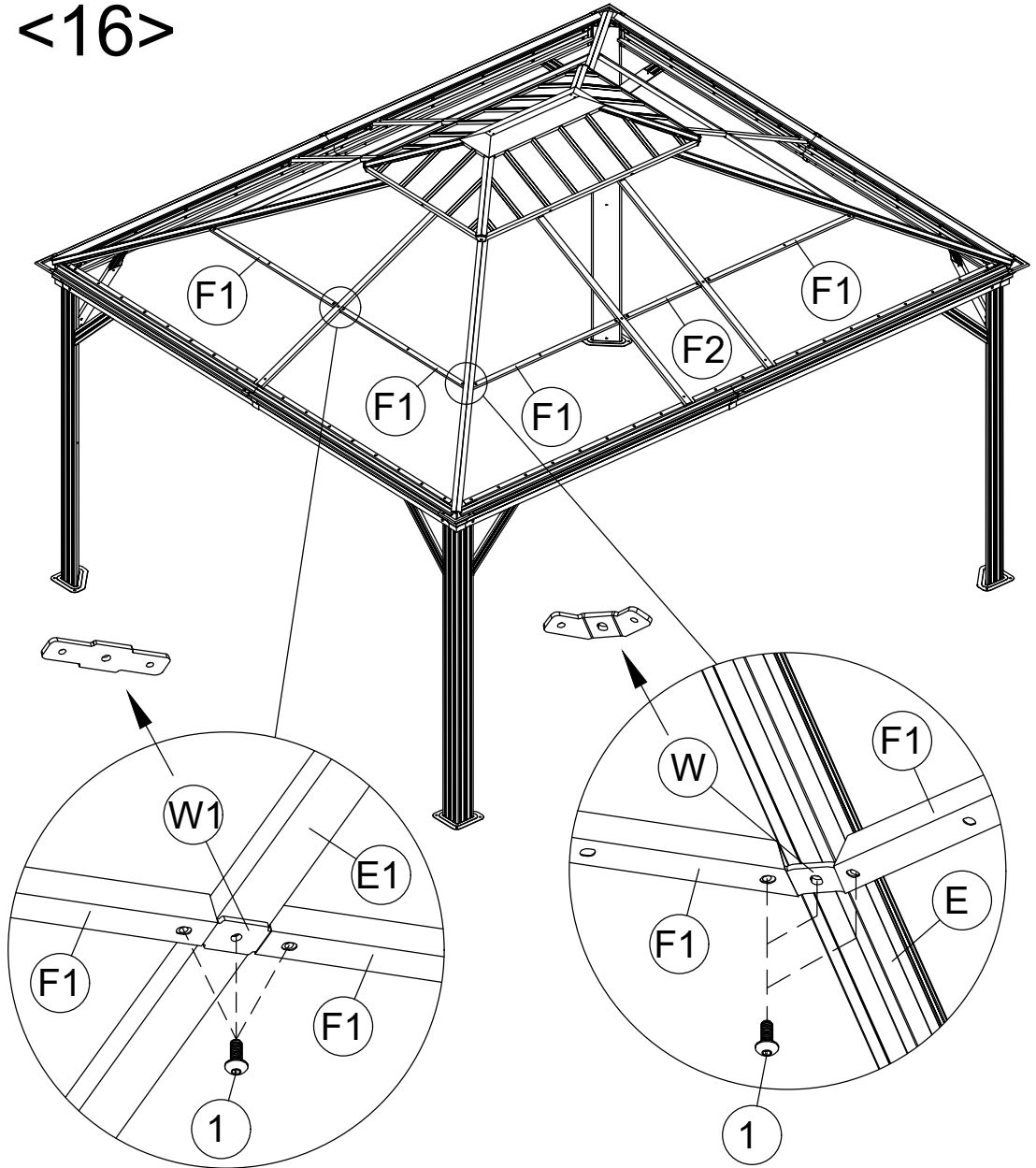


W1 6x

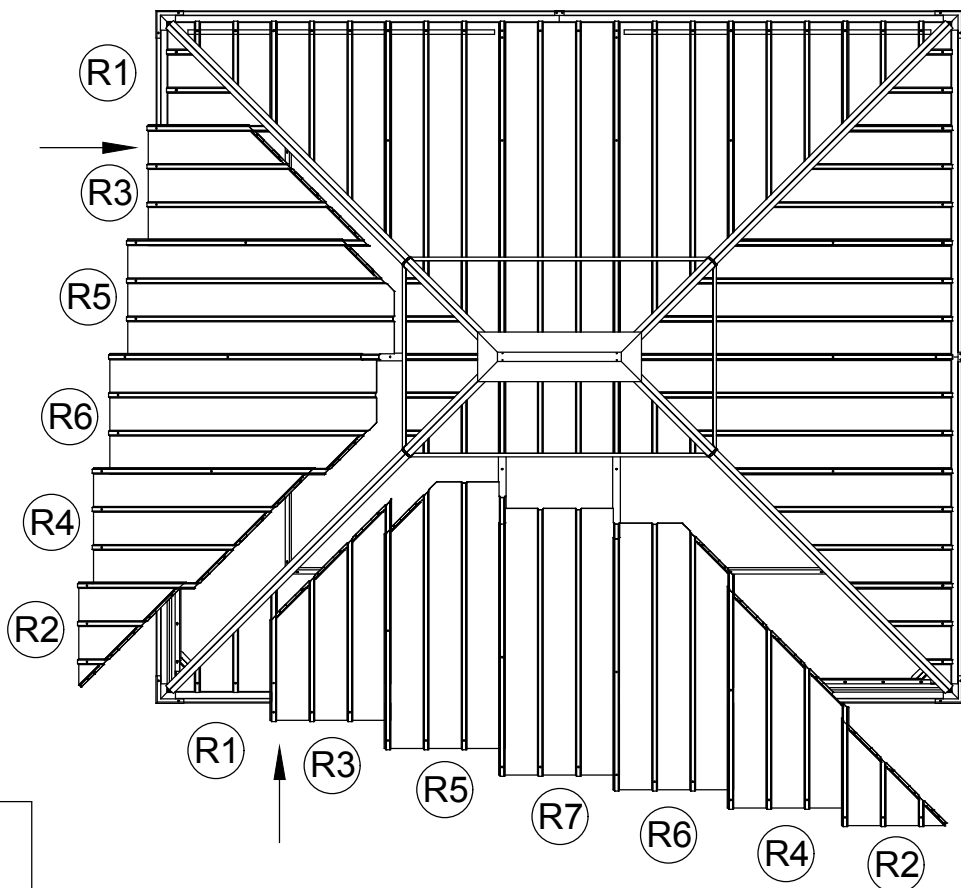
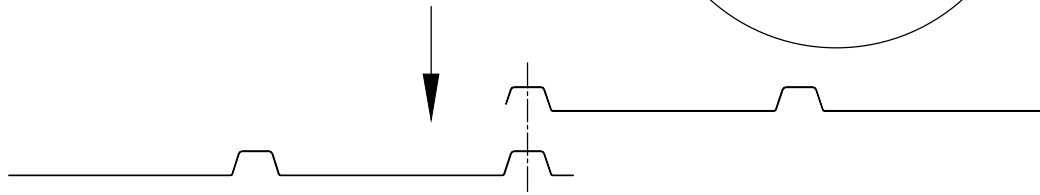
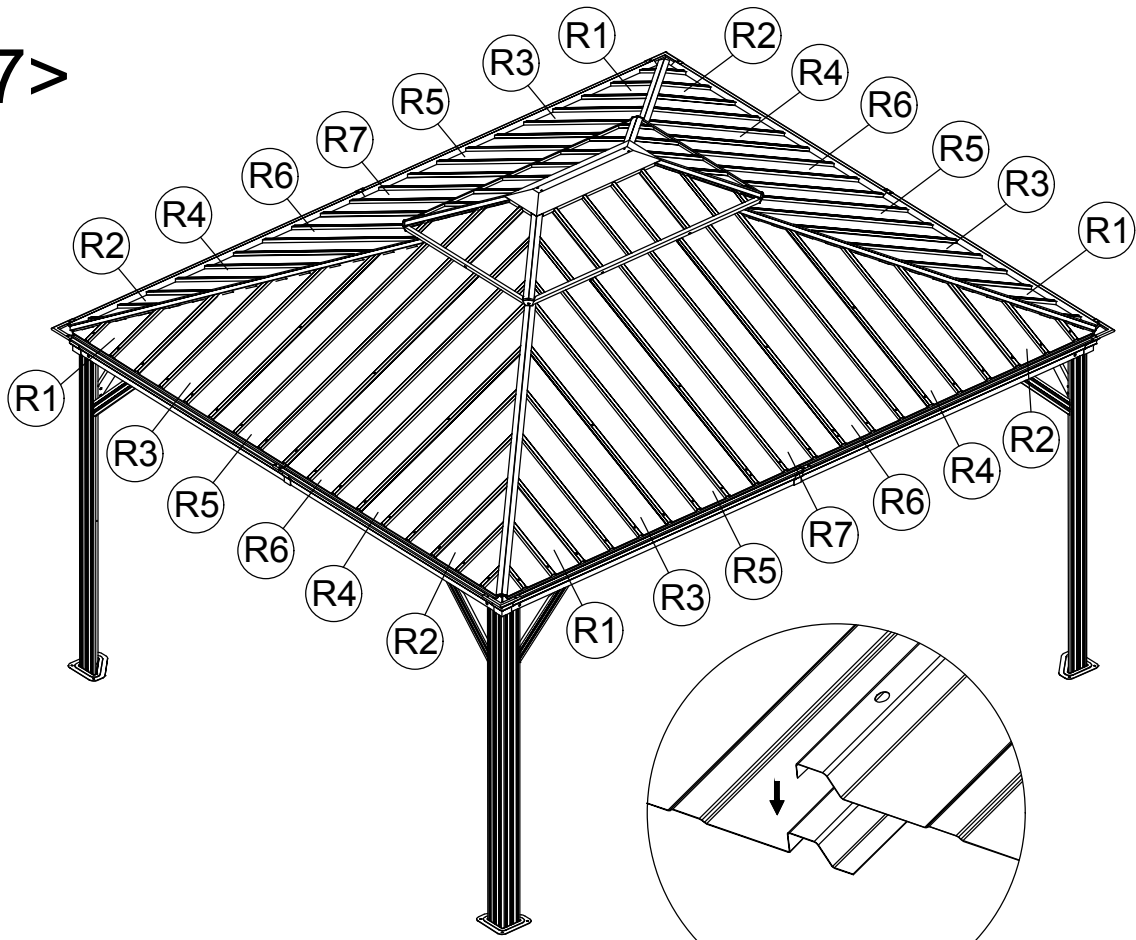


M6x15

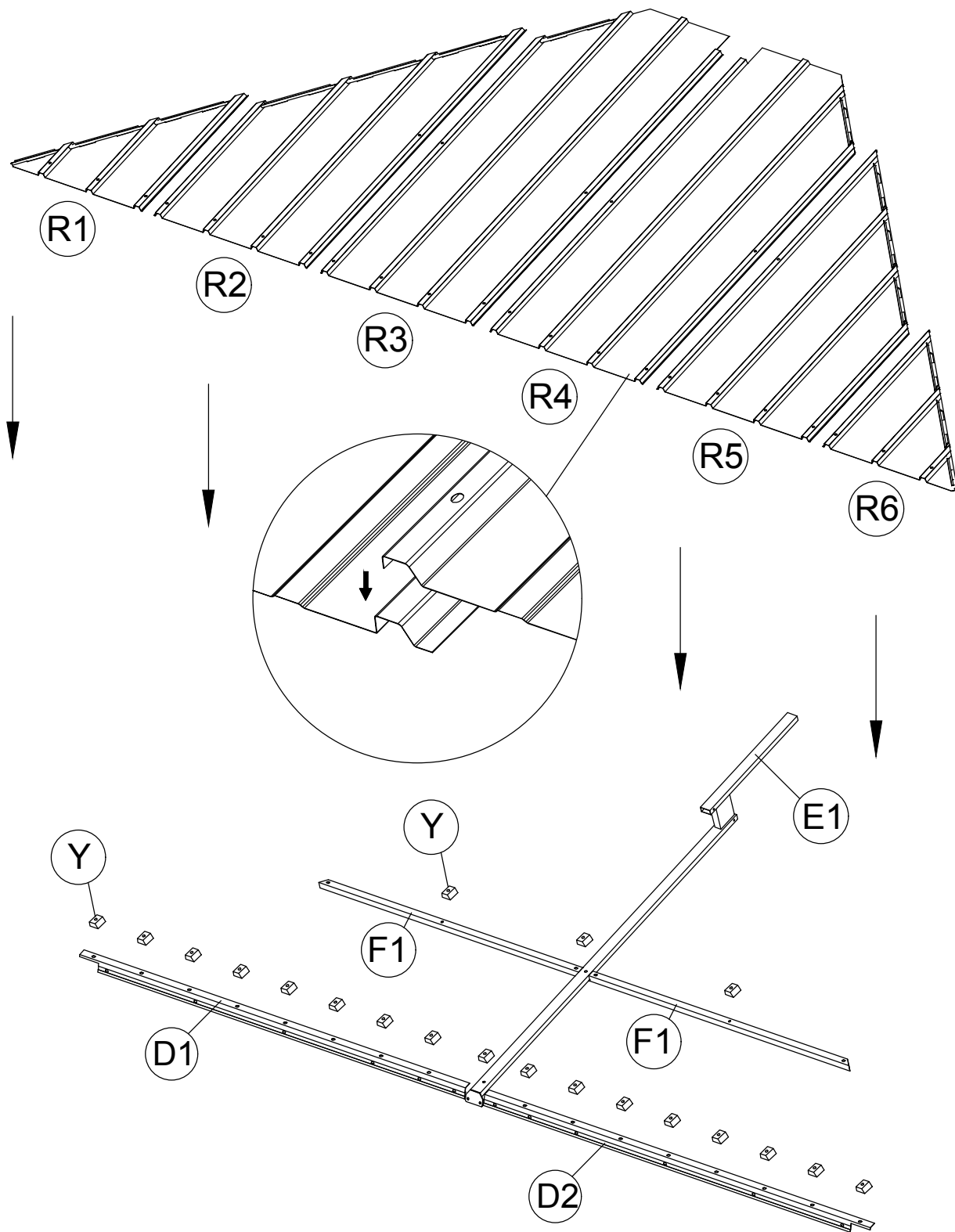
1 30x



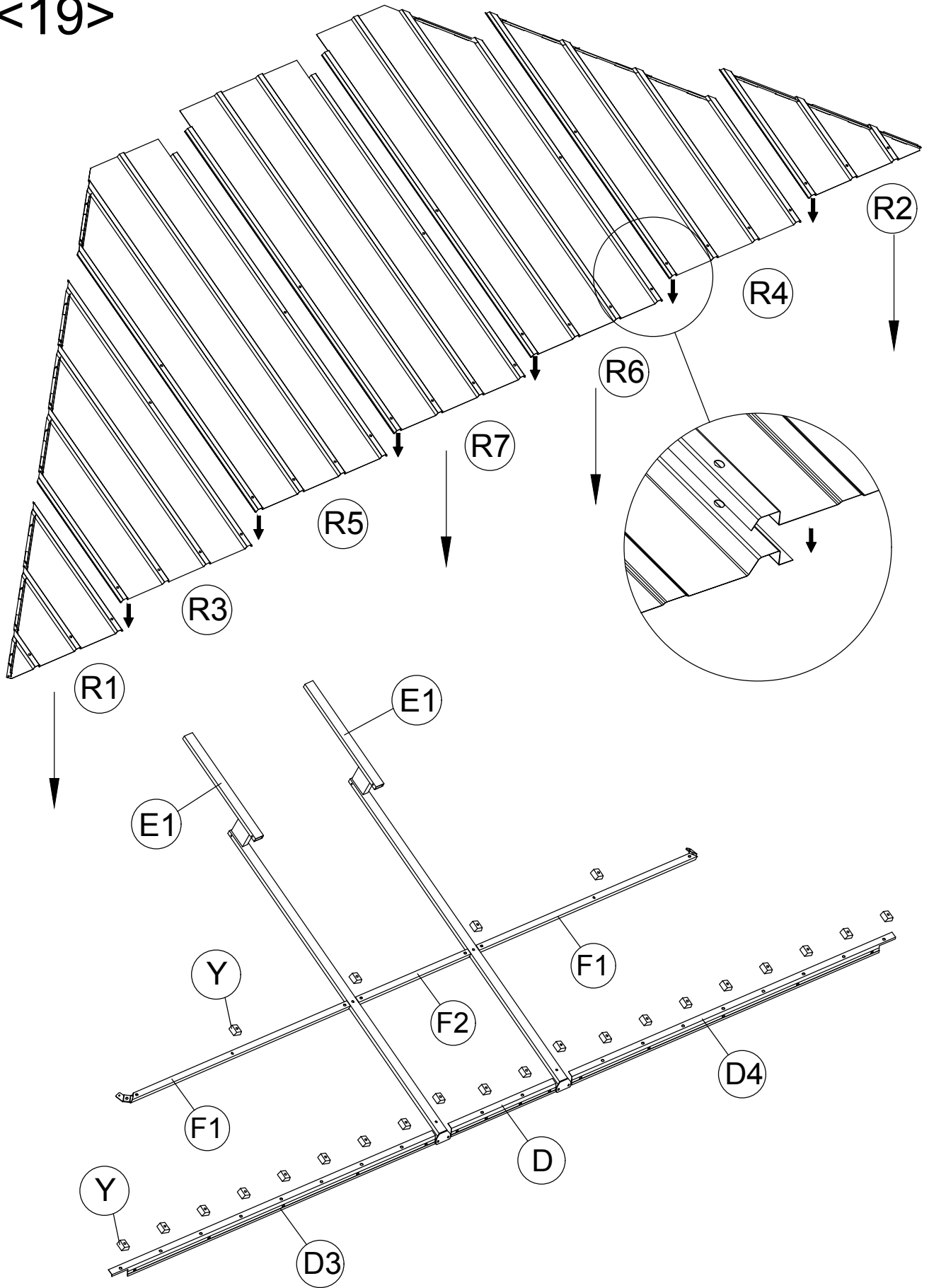
<17>



<18>



<19>





<20>

Y 88x



M6x23

2 68x



M6x25

3 6x



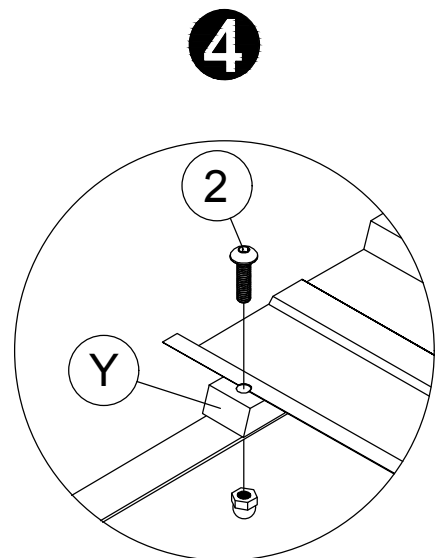
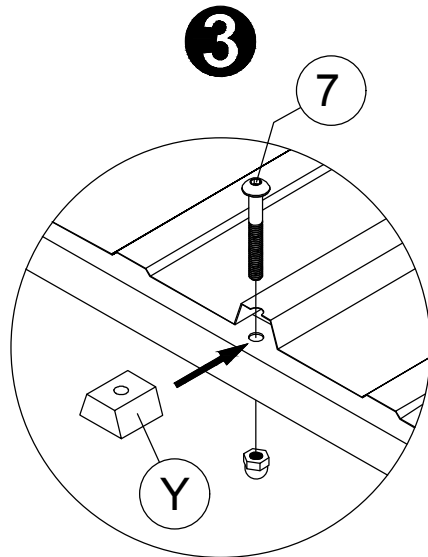
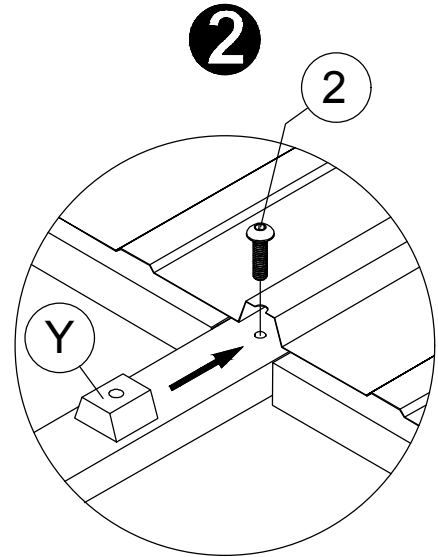
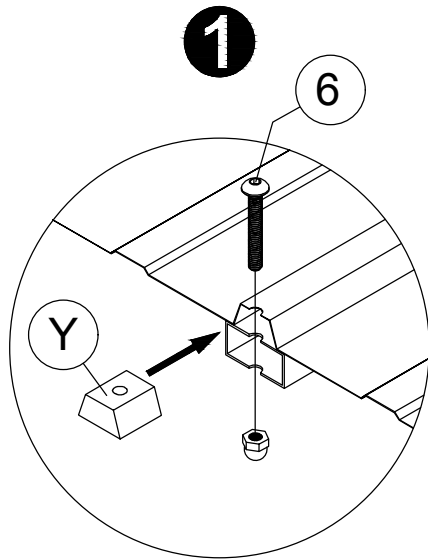
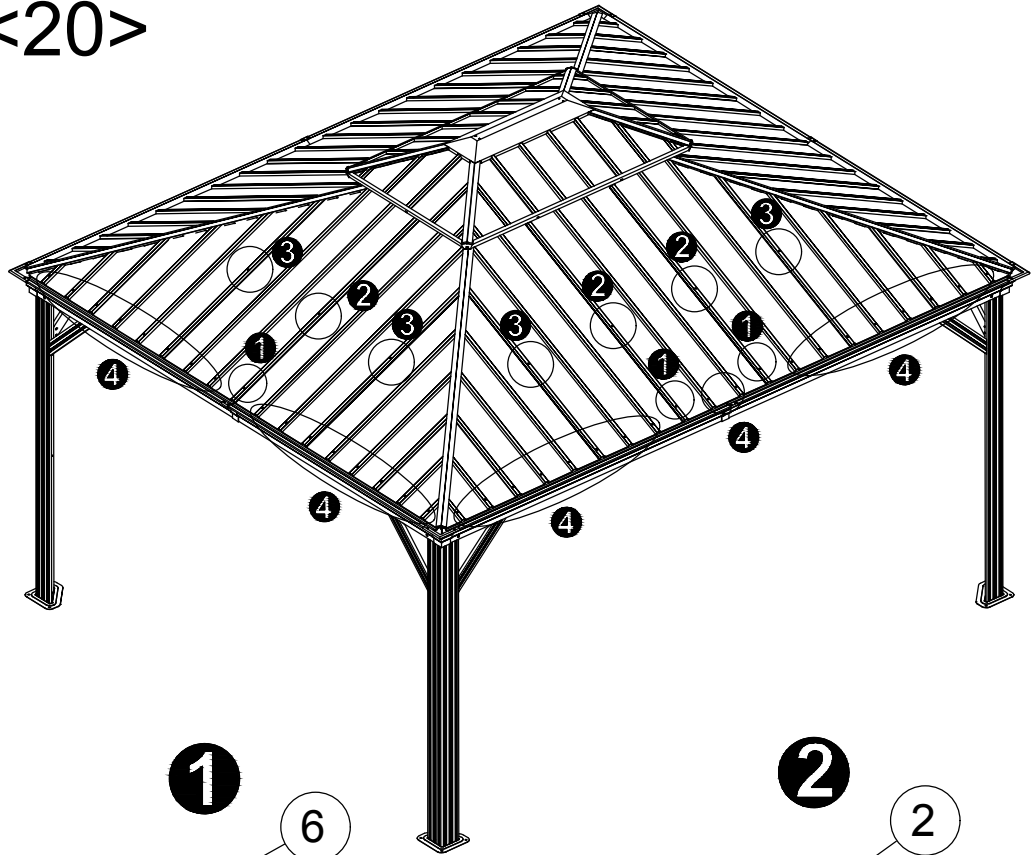
M6x42

6 6x

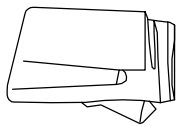


M6x47

7 8x

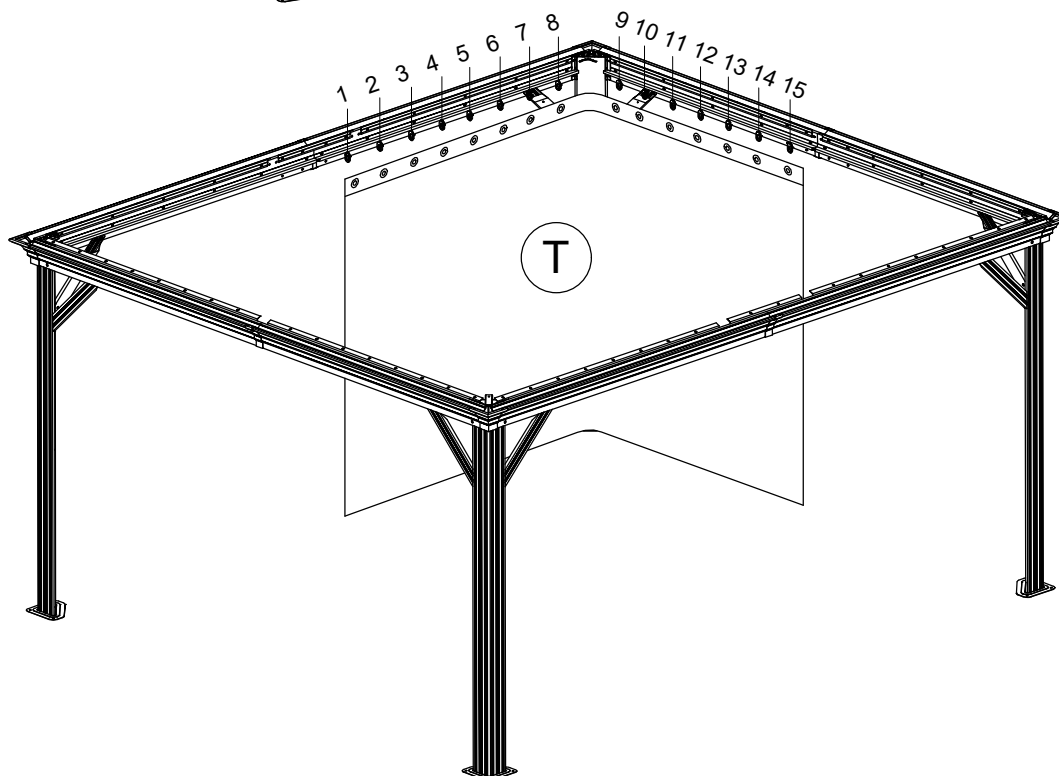
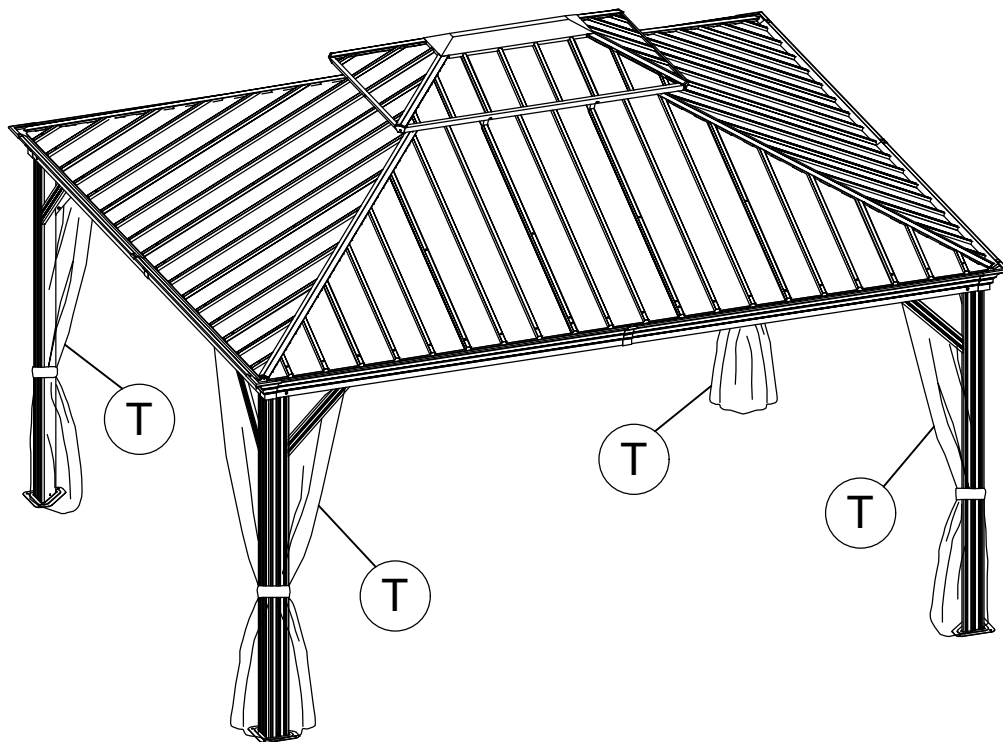
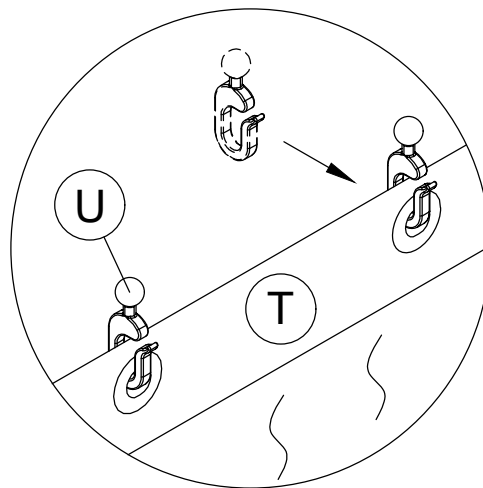
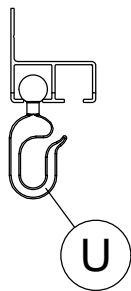


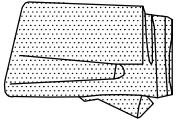




<21>

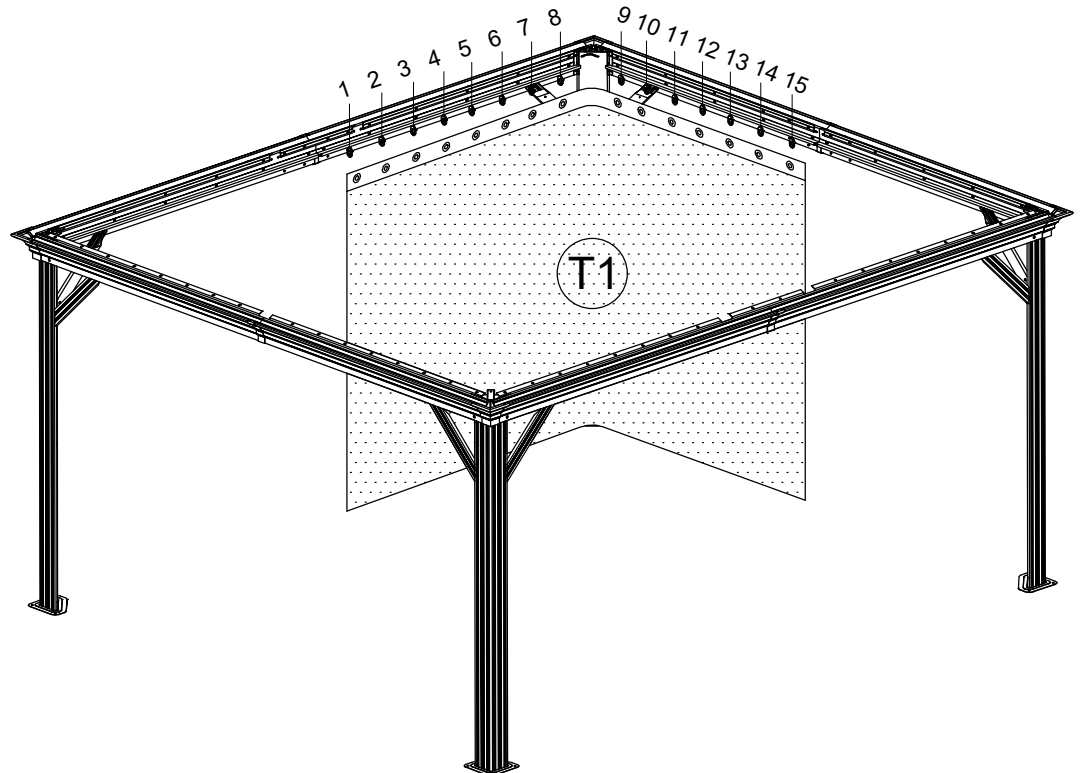
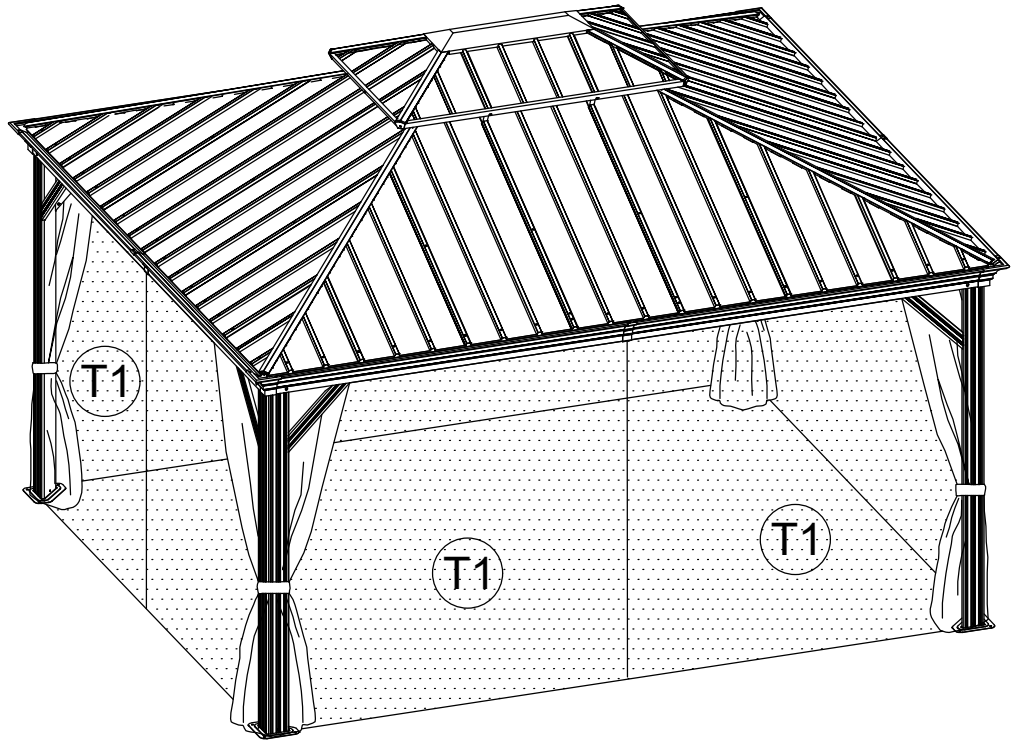
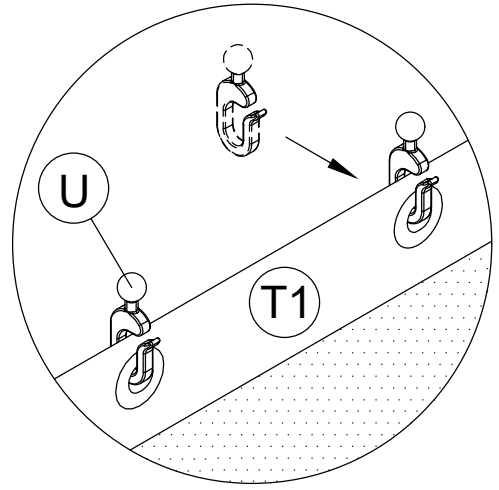
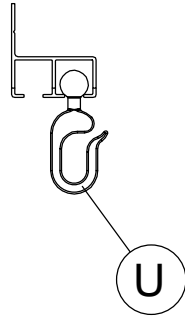
T 4x

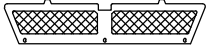




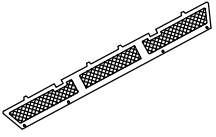
<22>

T1 4x





V1 2x



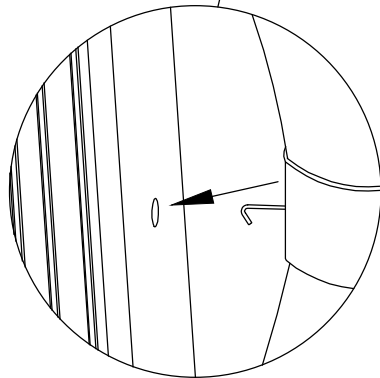
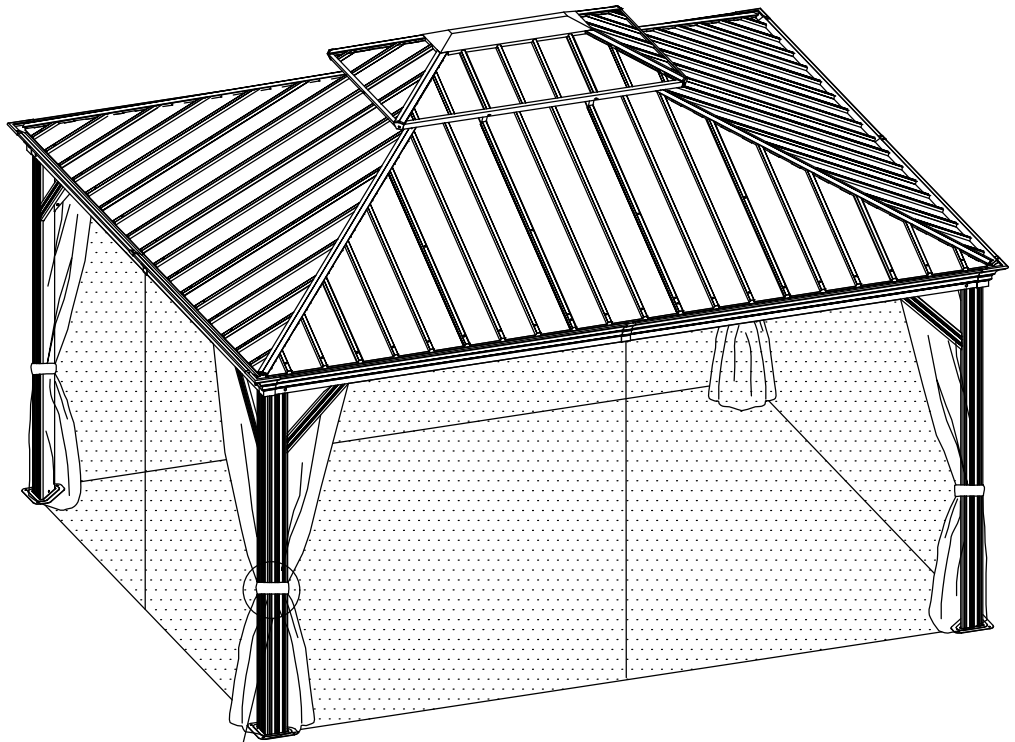
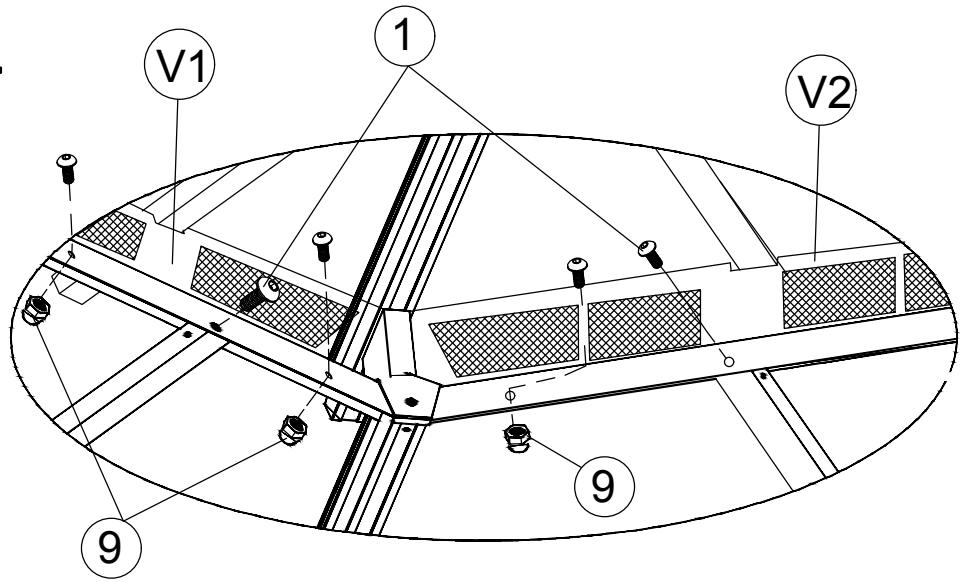
V2 2x



M6x10

9 8x

<23>



Carton-1/4		Carton-3/4		Carton-4/4	
Part	Qty	Part	Qty	Part	Qty
A	4	E	4	R1	4
C1	2	E5	4	R2	4
C2	2	E1	6	R3	4
C3	2	D	2	R4	4
C4	2	F2	2	R5	4
D1	2	G1	2	R6	4
D2	2	I1	2	R7	2
D3	2	L2	1	S1	4
D4	2	M2	1	S2	4
F1	8	K1	4	S3	2
G2	2	J	4		
I2	2	W	4		
H	4	W1	6		
H1	4	V	4		
Z	64	Y	88		
Z1	8	U	120		
Z2	8	N	8		
P	4	T	4		
		T1	4		
		1.2.3.4.5.6.7.8. 9.10.11.12.13.14	1		
Carton-2/4					
Part	Qty				
B1	2				
B2	2				
B3	2				
B4	2				
K	4				
V1	2				
V2	2				