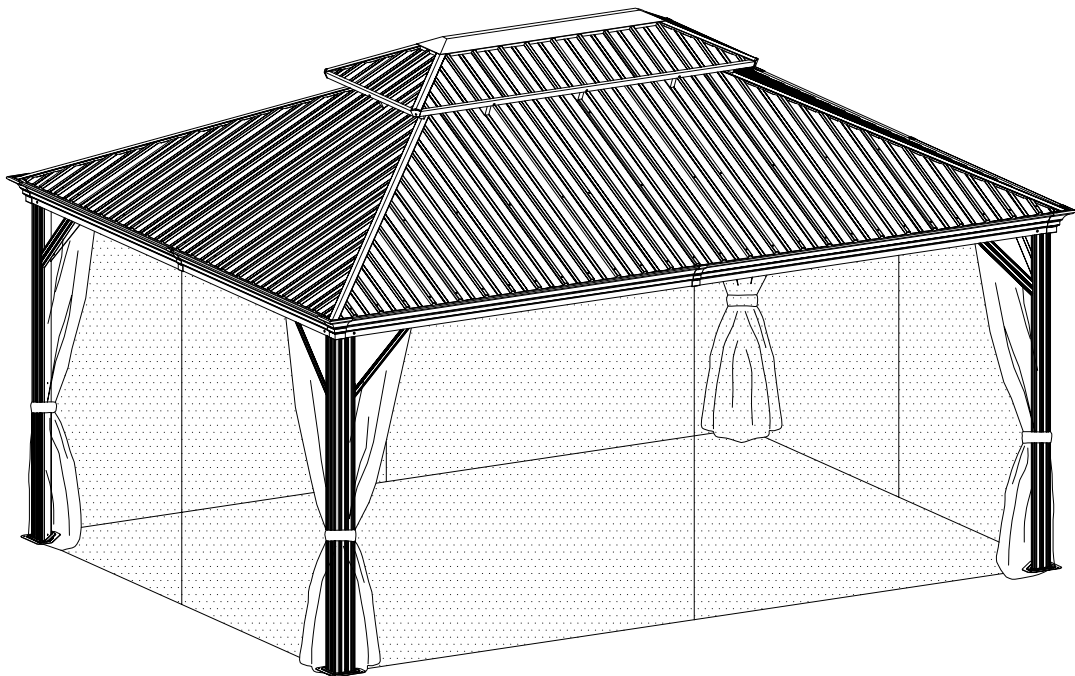


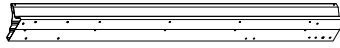
3.65 x 4.25 M

□ □ □ □ □ □ □ □ XWG - 215MS □ □ □ □ □ □ □ □

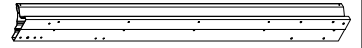




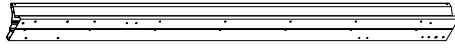
A 4x



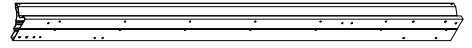
B 2x



B1 2x



B2 2x



B3 2x



C 2x



C1 2x



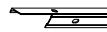
C2 2x



C3 2x



D 2x



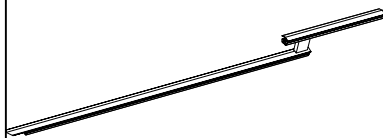
D1 2x



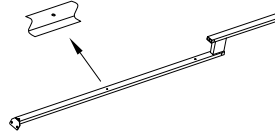
D2 2x



D3 2x



E 4x



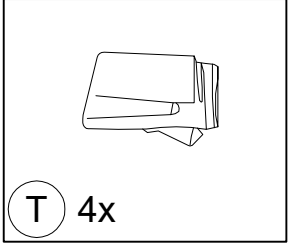
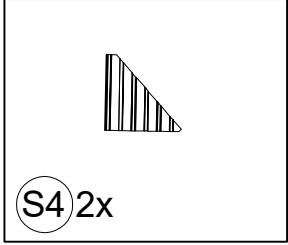
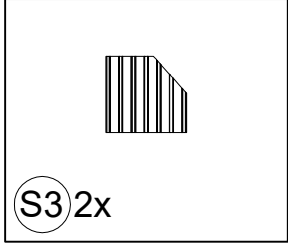
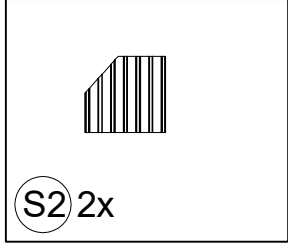
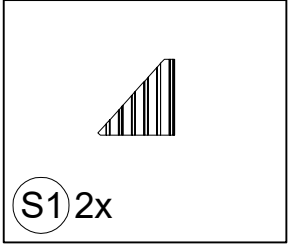
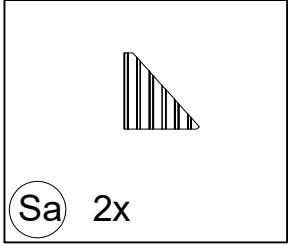
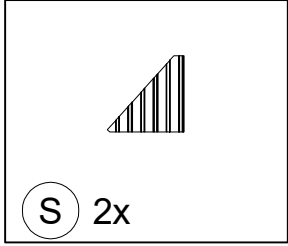
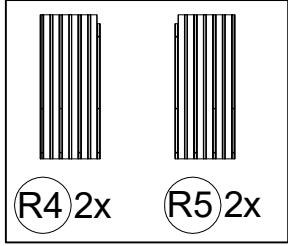
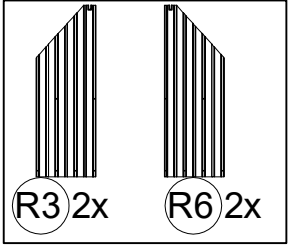
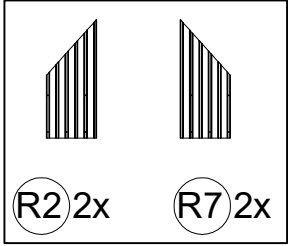
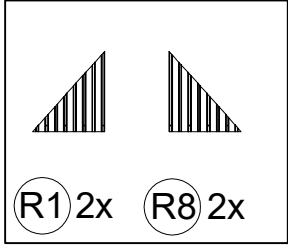
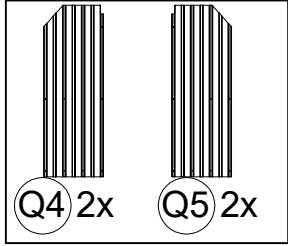
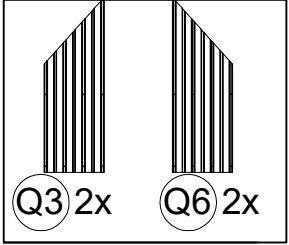
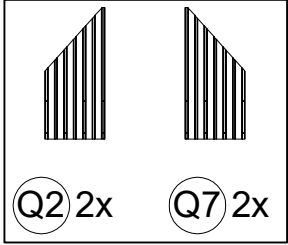
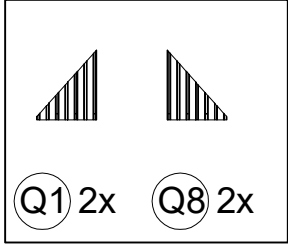
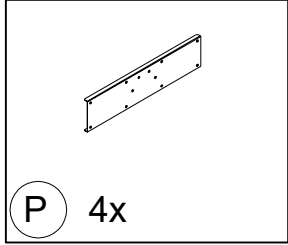
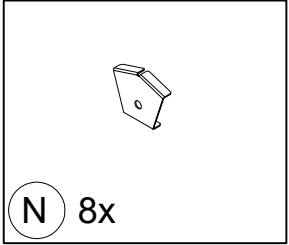
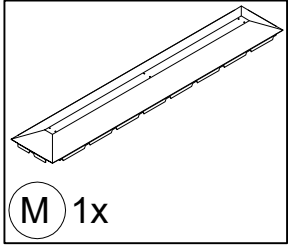
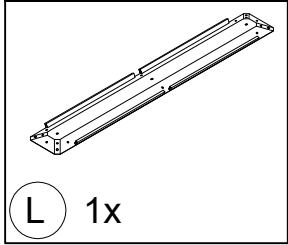
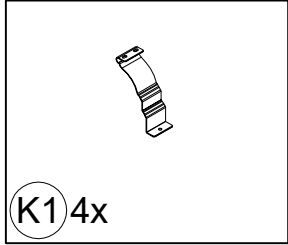
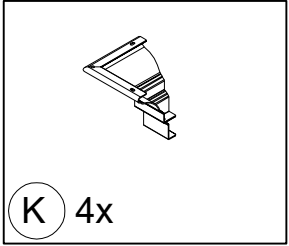
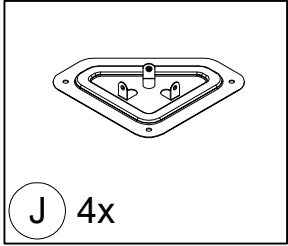
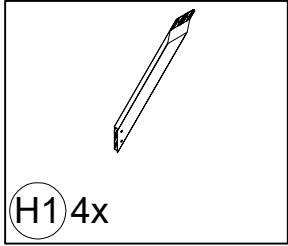
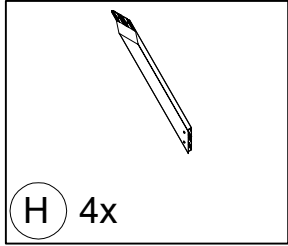
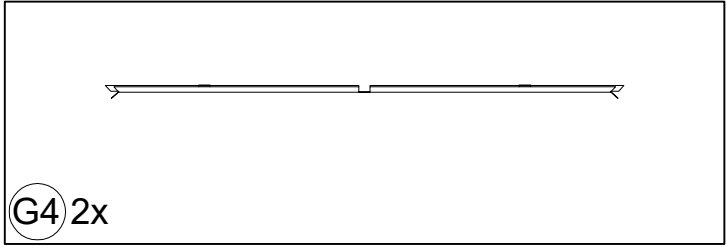
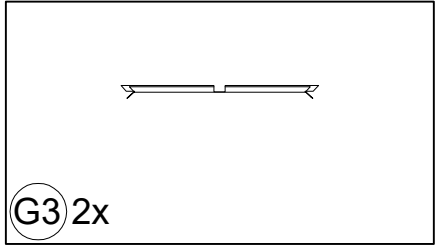
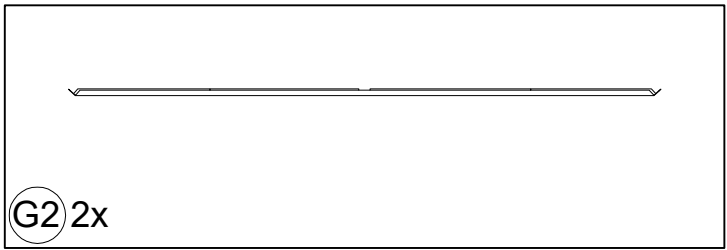
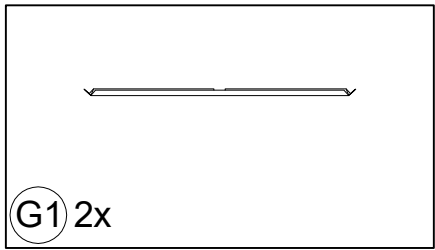
E1 4x

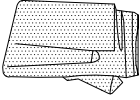

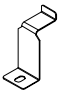
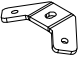
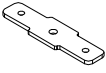
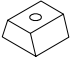
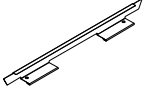


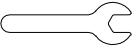
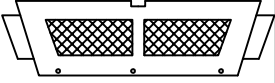
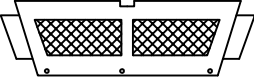









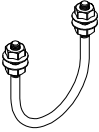



F1 4x



F2 4x



 T1 4x	 U 120x	 V 4x	 W 4x
 W1 4x	 Y 128x	 Z 72x	 Z1 12x
 1x  1x	 V1 2x	 V2 2x	
 M6x16 1 240x	 M6x23 2 80x	 M6x25 3 4x	 ST 4.8x12 4 24x
 M6x10 5 8x	 M6x42 6 8x	 M6x47 7 36x	 8 16x
 9 12x	 10 1x	 11 2x	

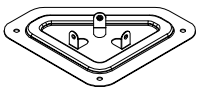


<1>

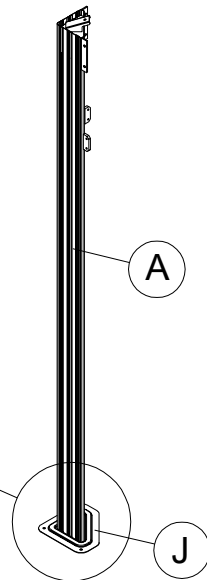
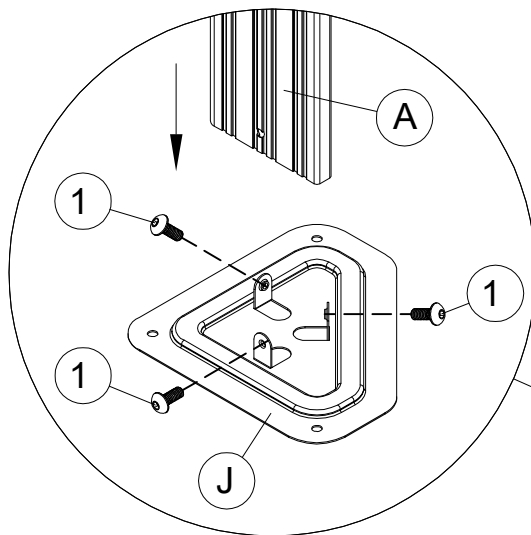
A 4x



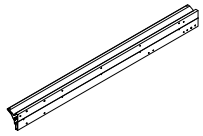
1 12x M6x15



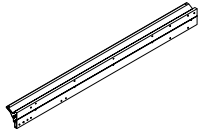
J 4x



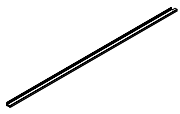
<2>



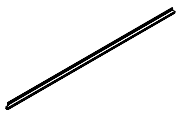
B 2x



B1 2x



C 2x



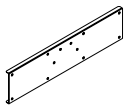
C1 2x



D 2x



D1 2x

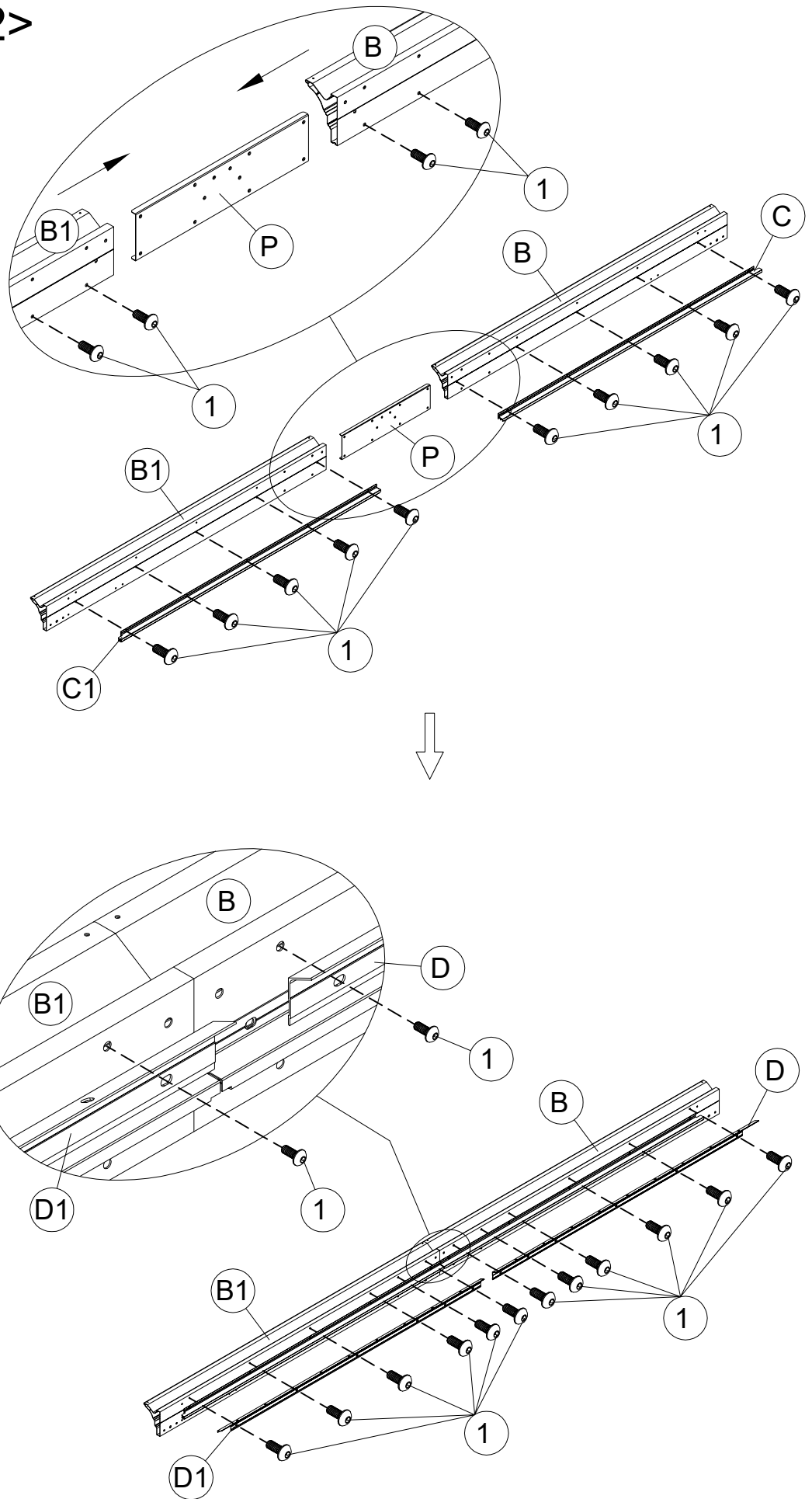


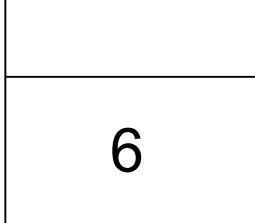
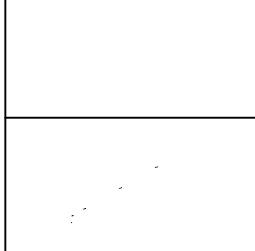
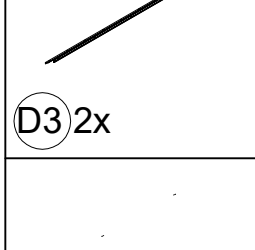
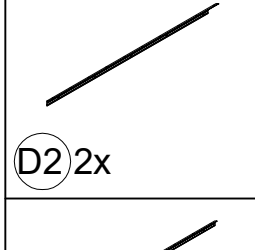
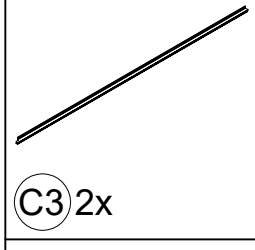
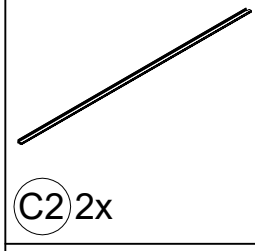
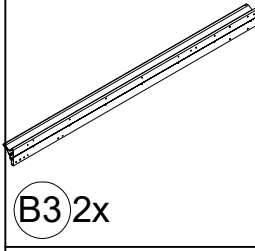
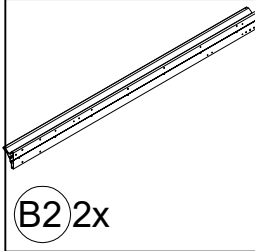
P 2x



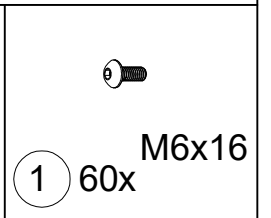
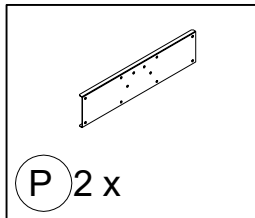
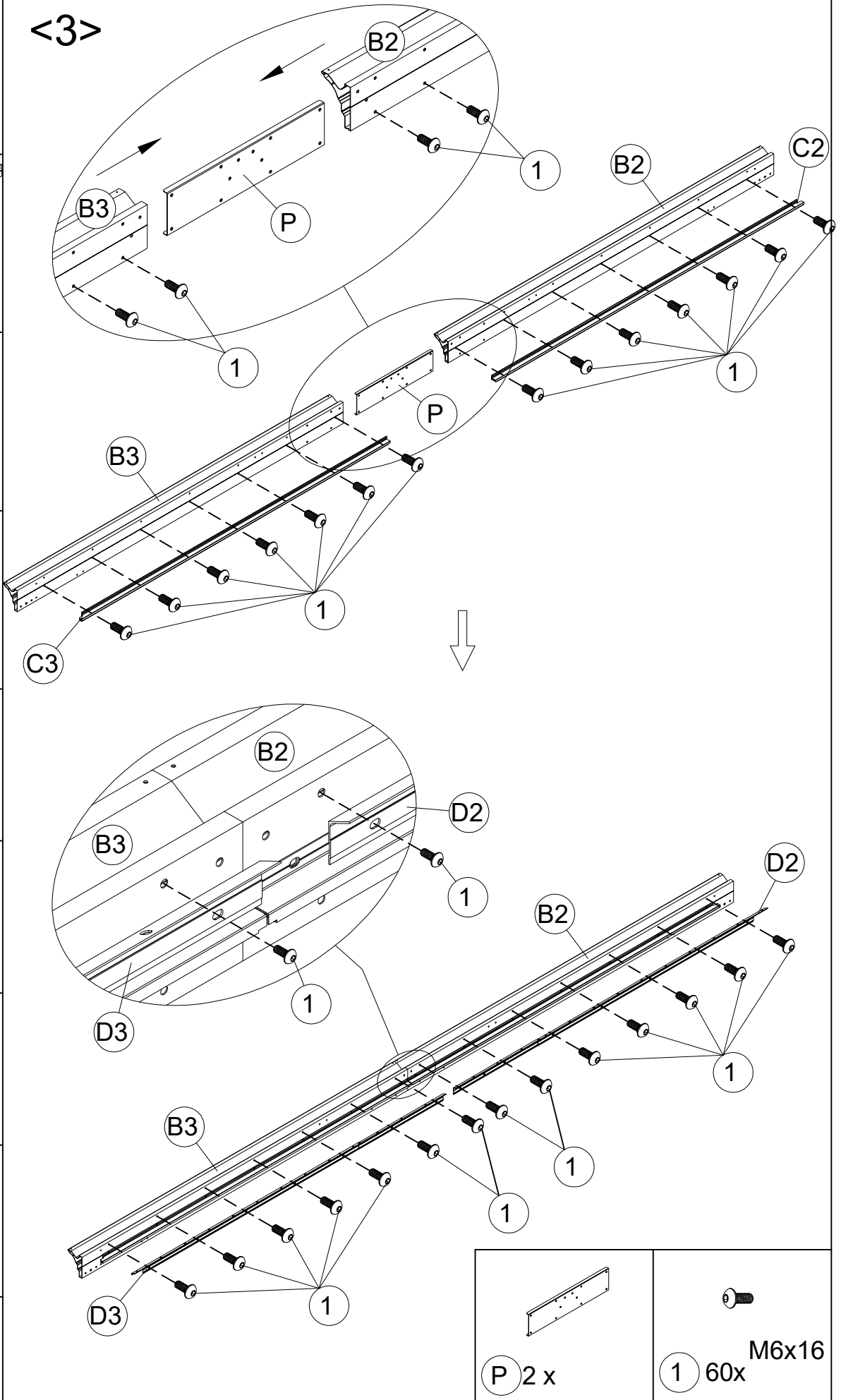
1 52x M6x16

5





<3>



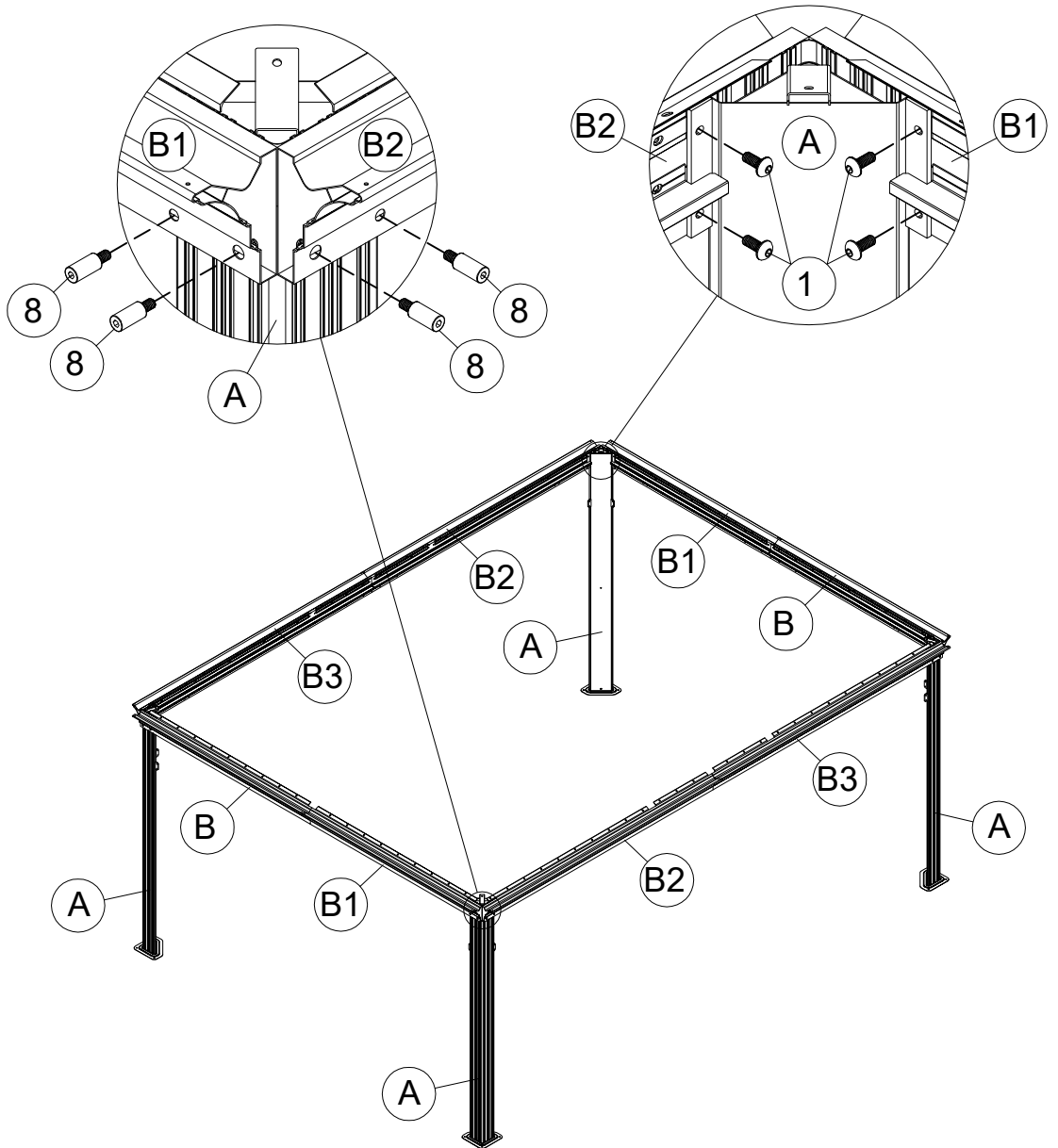


<4>

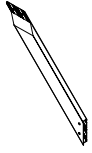
1 M6x15
16x



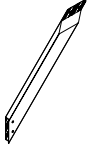
8 16x



7



H 4x

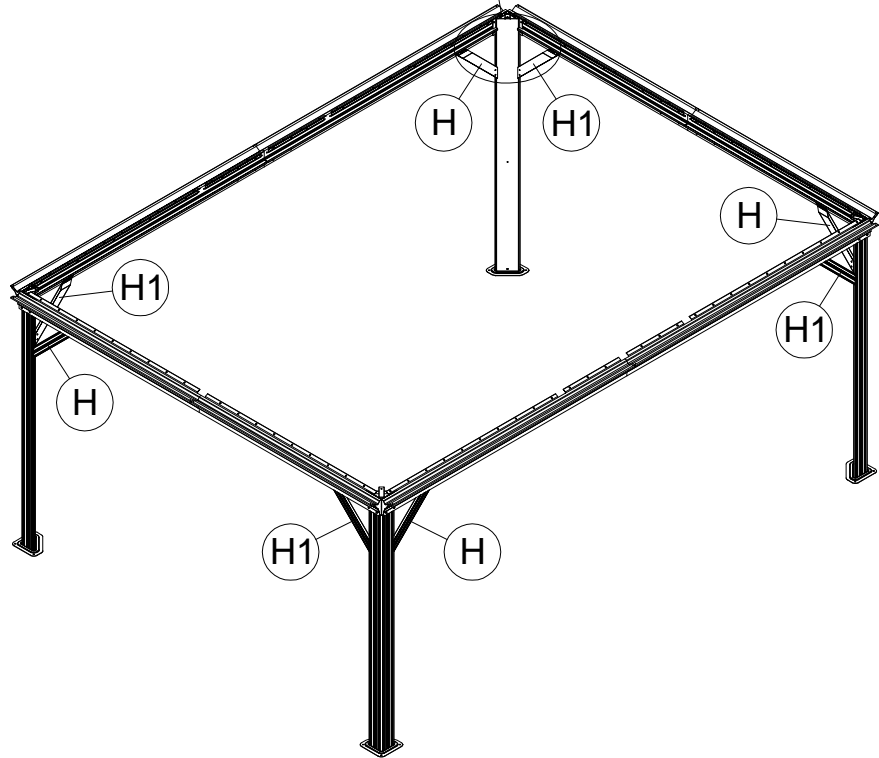
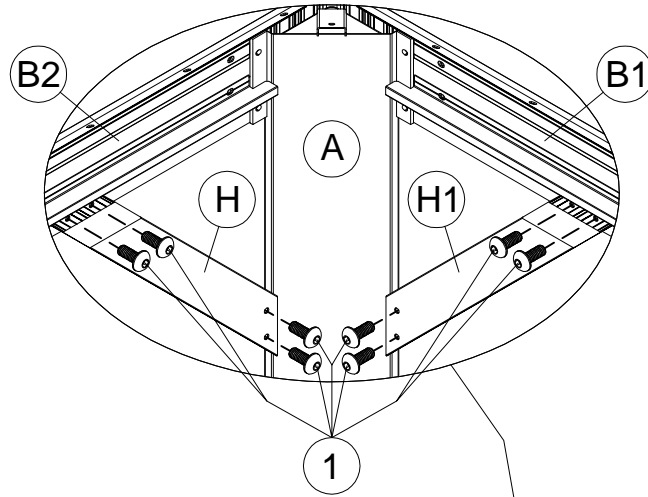


H1 4x

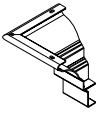


1 32x M6x15

<5>



<6>



K 4x



K1 4x



U 120x



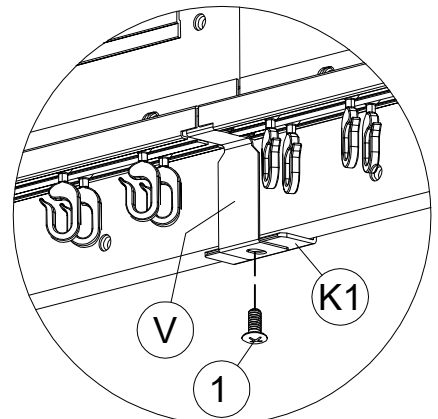
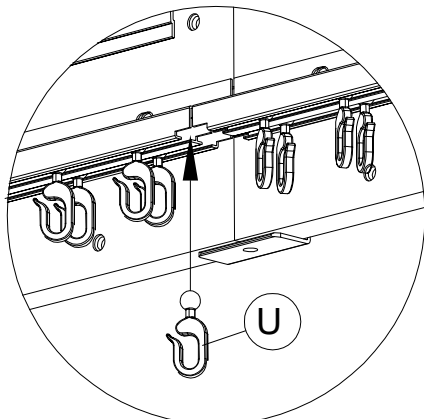
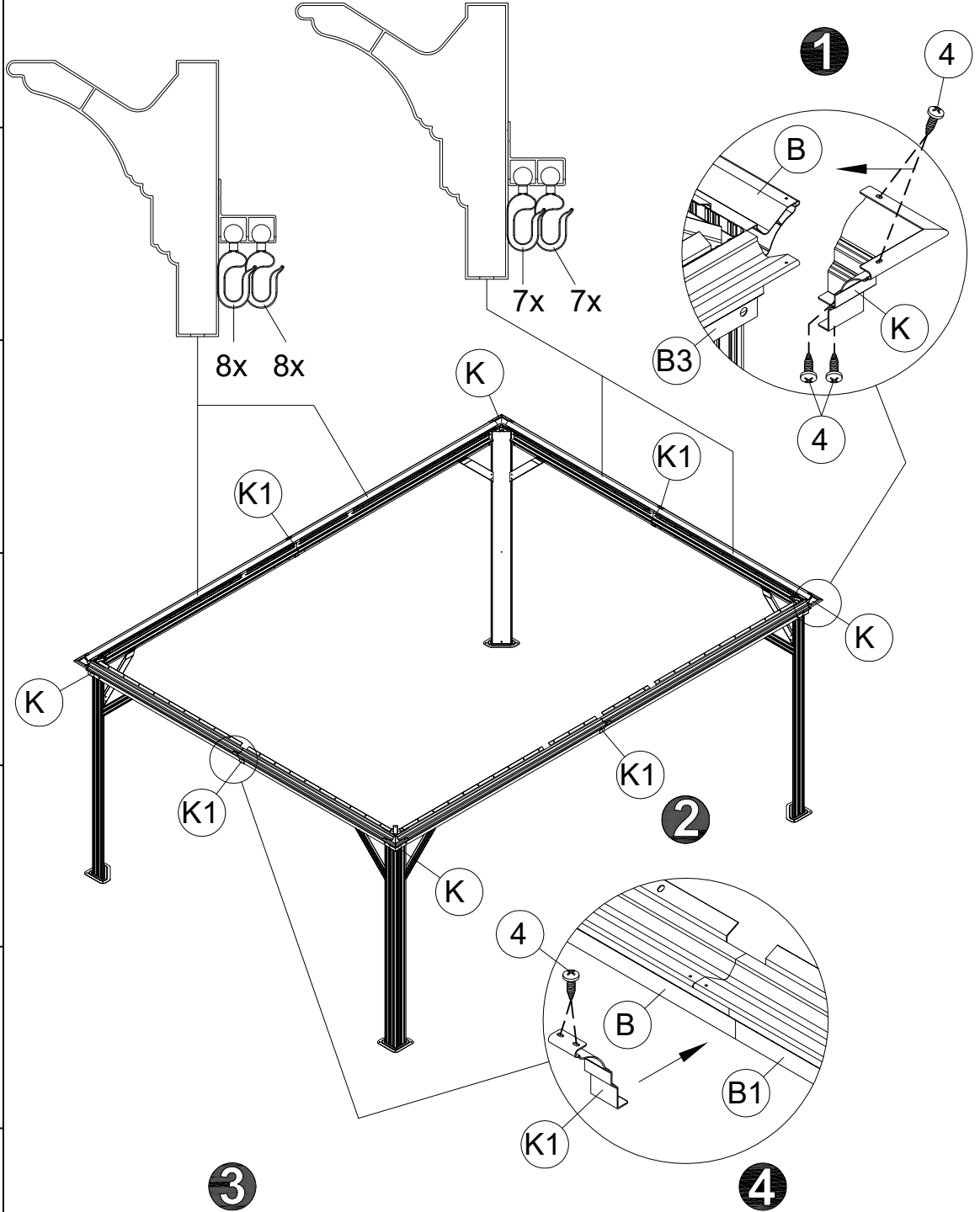
V 4x



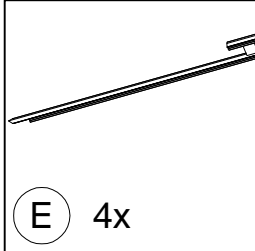
1 4x M6x16



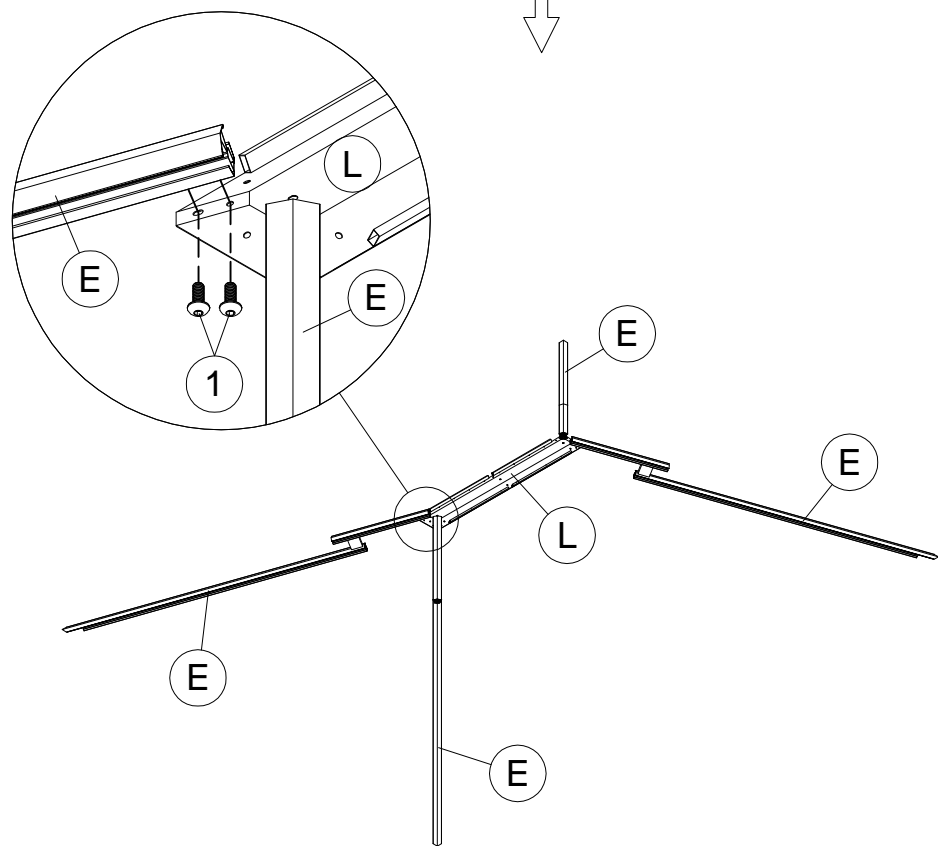
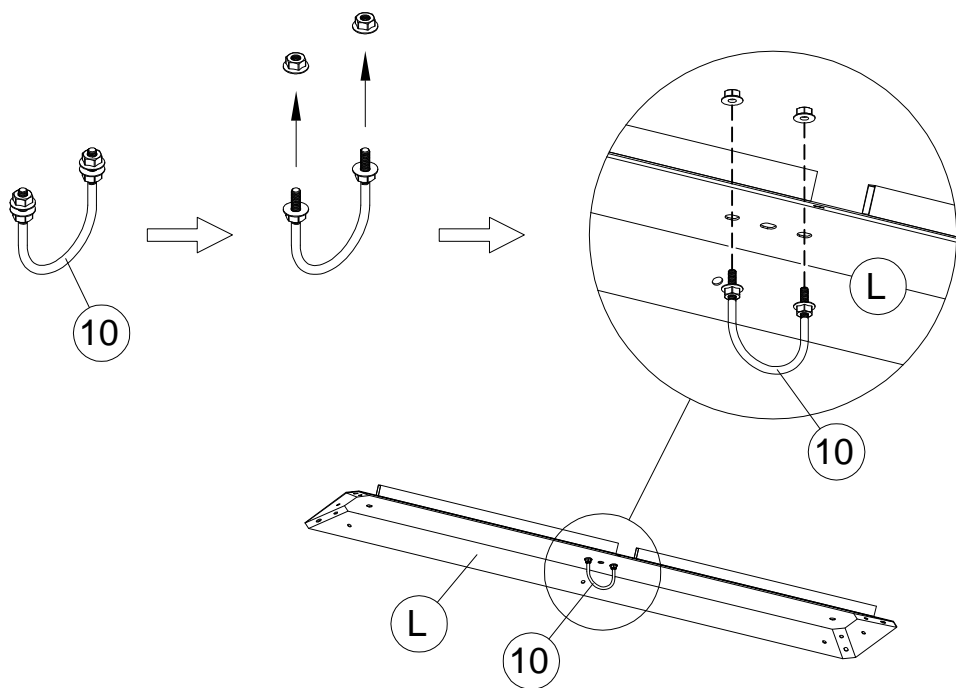
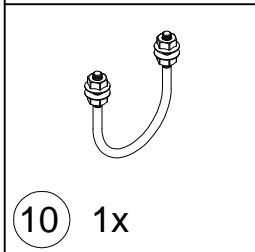
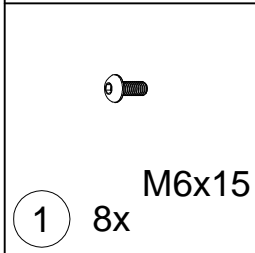
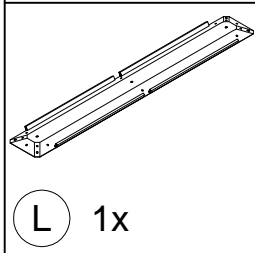
4 24x ST4.8x12



9



<7>



10

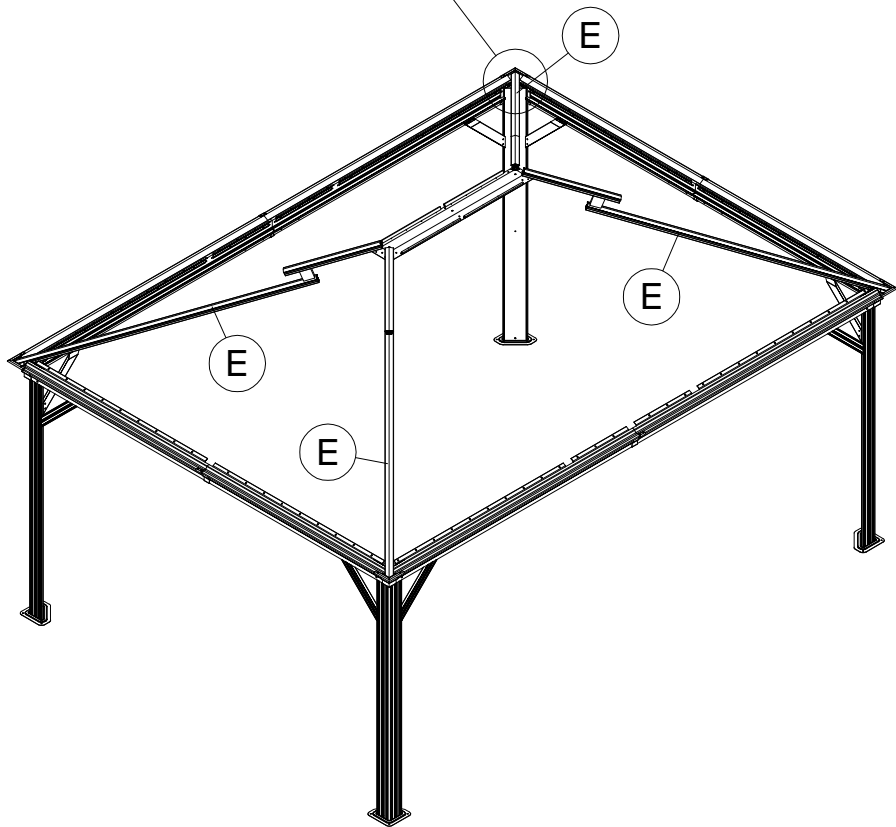
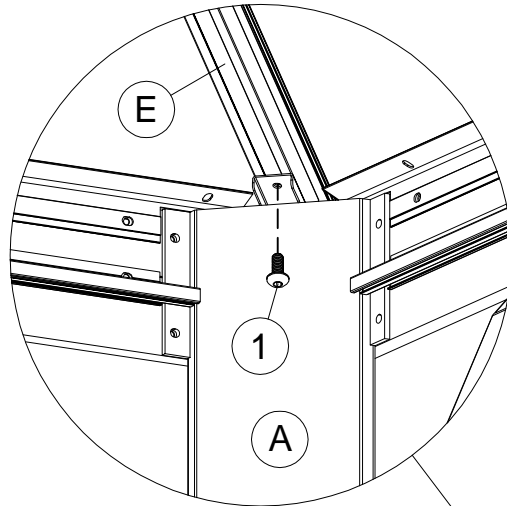


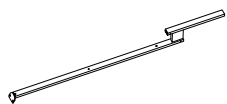
<8>

1

4x

M6x15





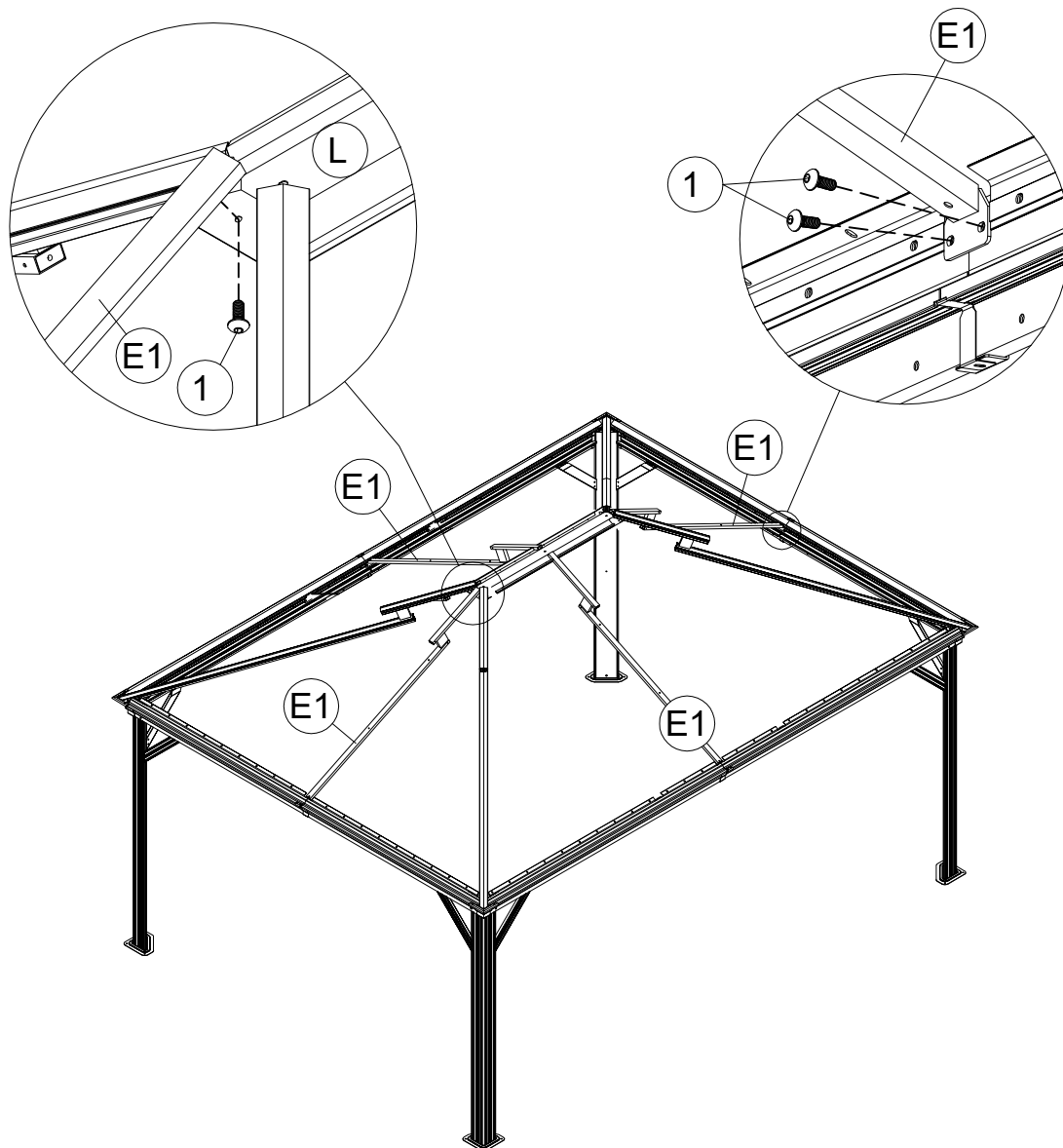
<9>

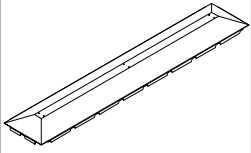
E1 4x



M6x15

1 12x



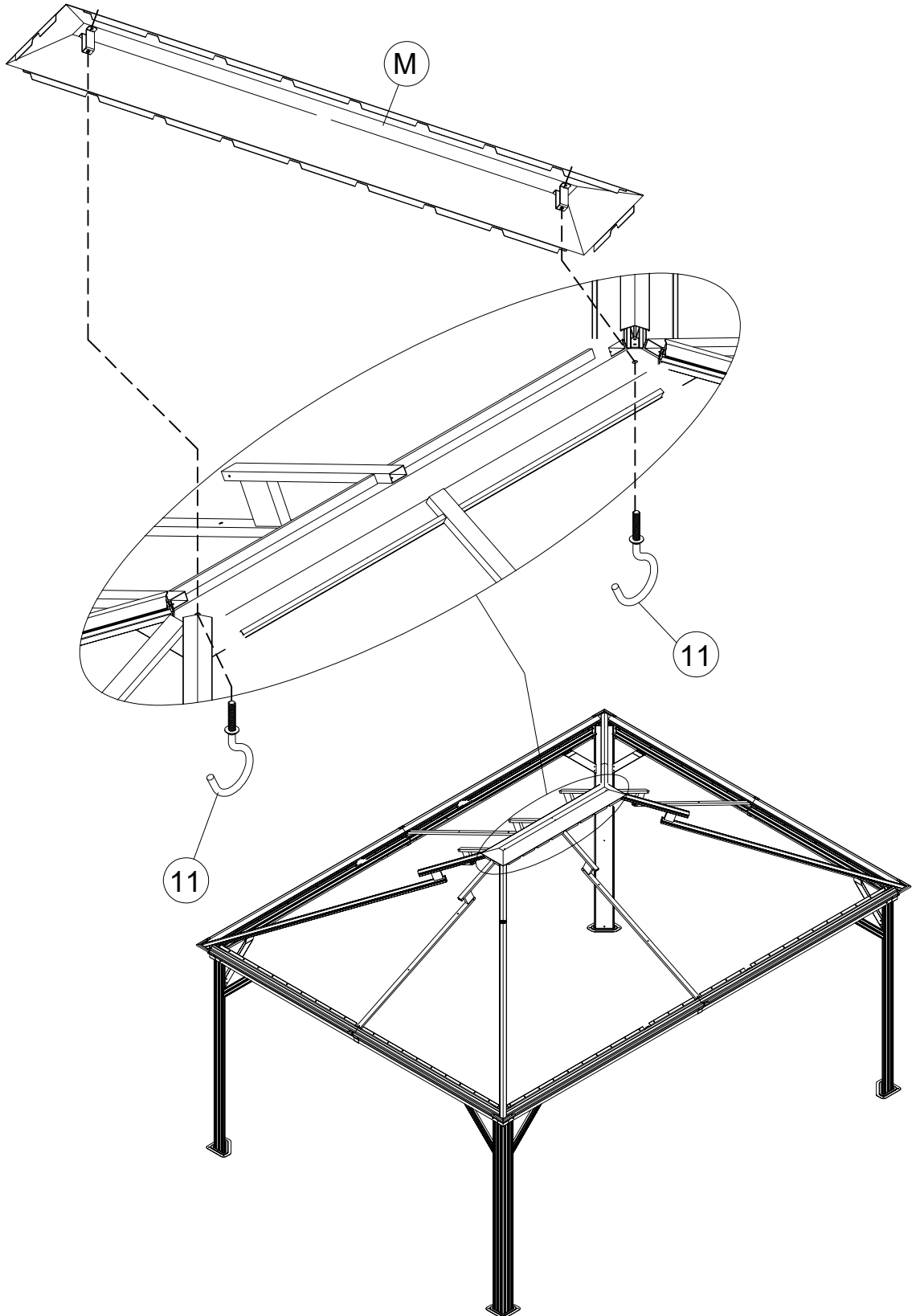


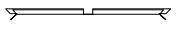
<10>

(M) 1x



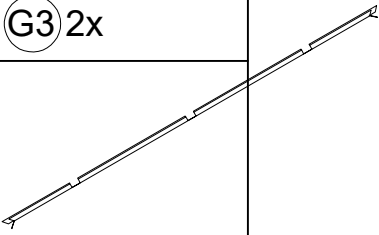
(11) 2x





<11>

G3 2x



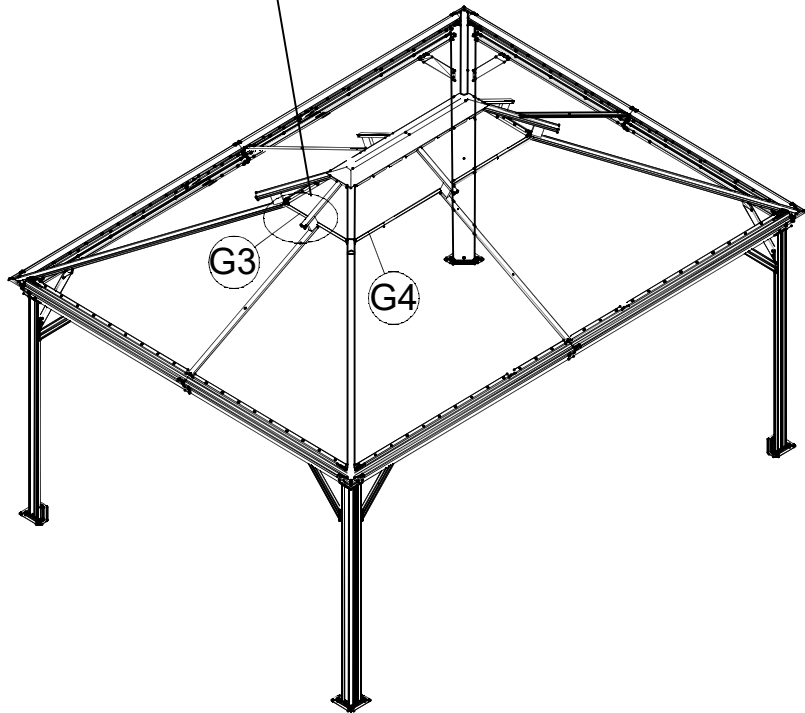
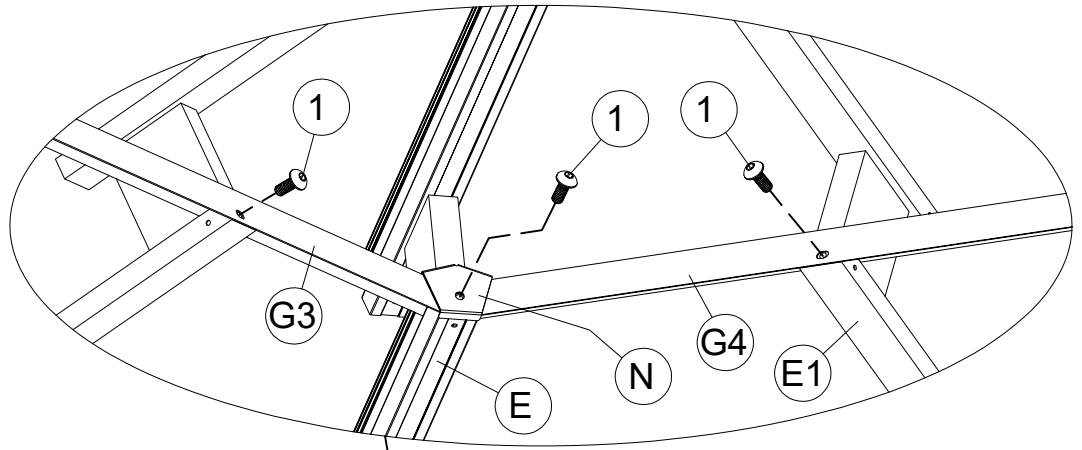
G4 2x



N 4x



1 8x M6x15



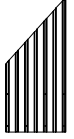
<12>



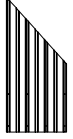
Q1 2x



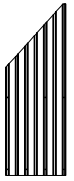
Q8 2x



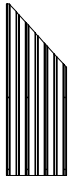
Q2 2x



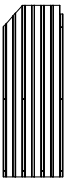
Q7 2x



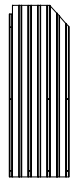
Q3 2x



Q6 2x



Q4 2x



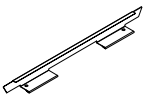
Q5 2x



S 2x



Sa 2x

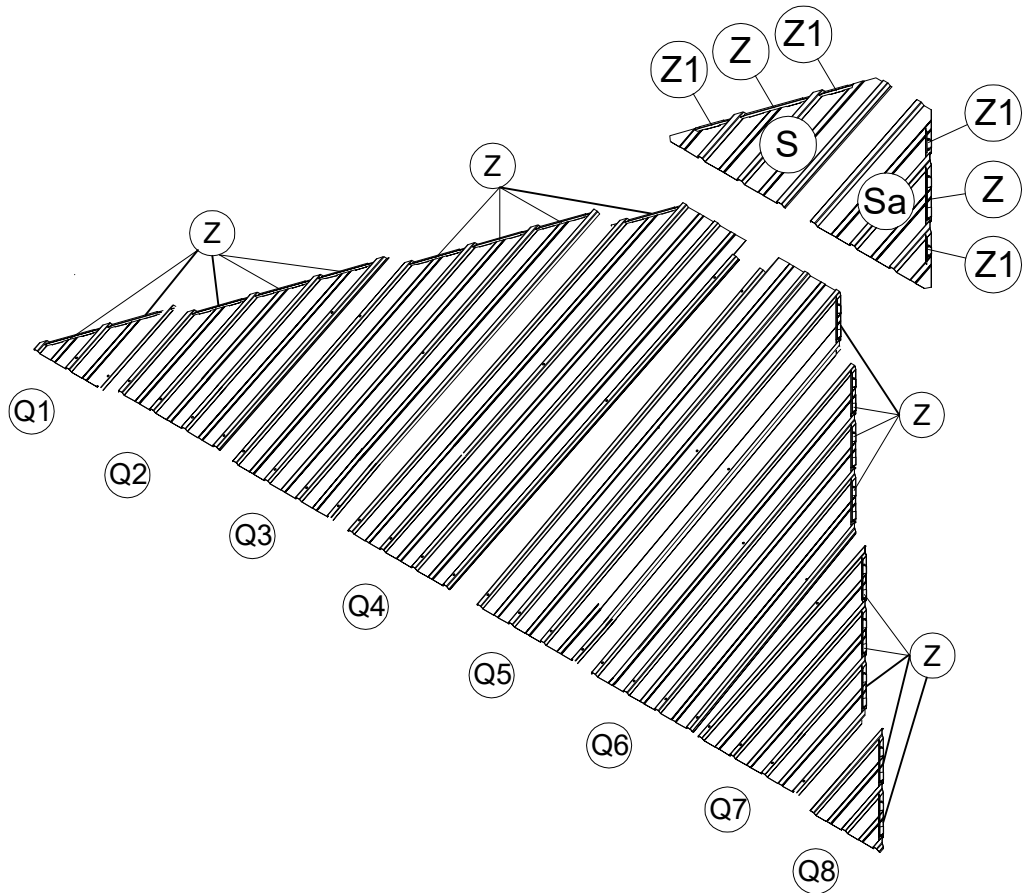
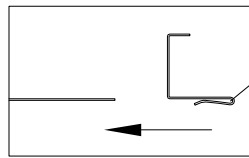
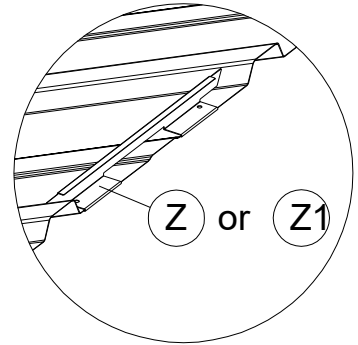
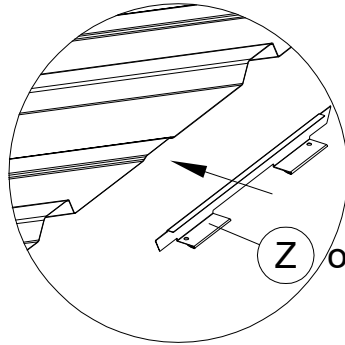


Z 36x



Z1 8x

15



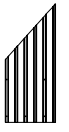
<13>



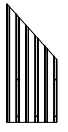
R1 2x



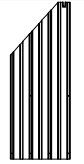
R8 2x



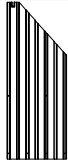
R2 2x



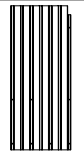
R7 2x



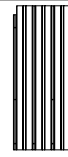
R3 2x



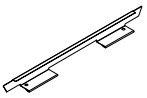
R6 2x



R4 2x



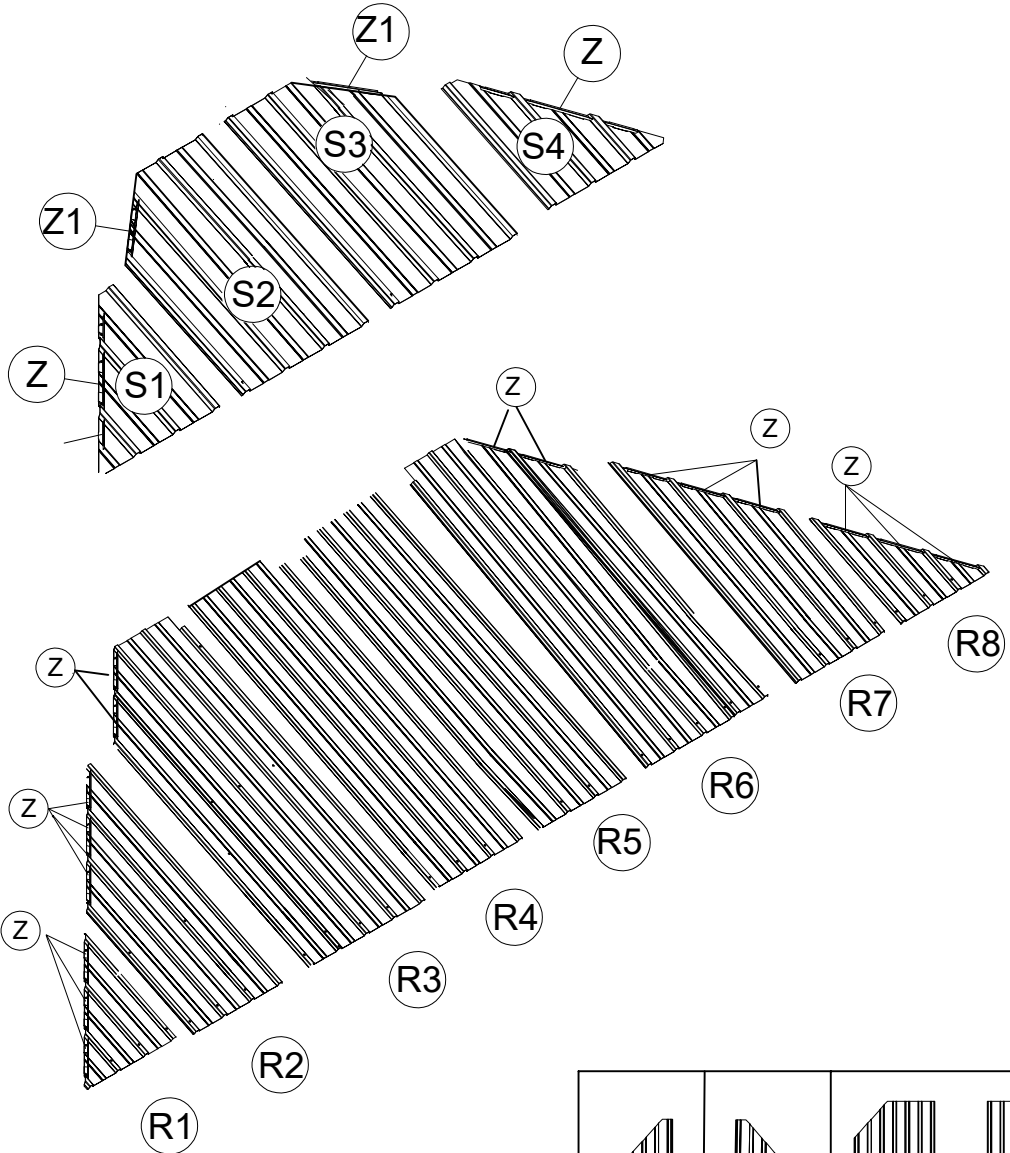
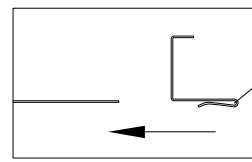
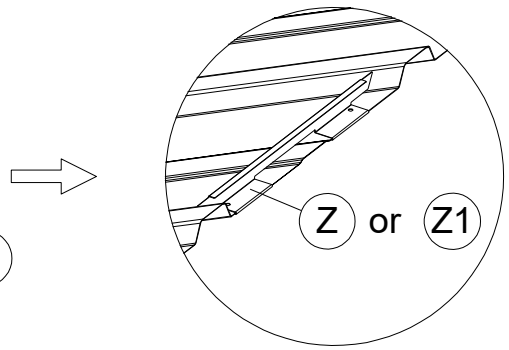
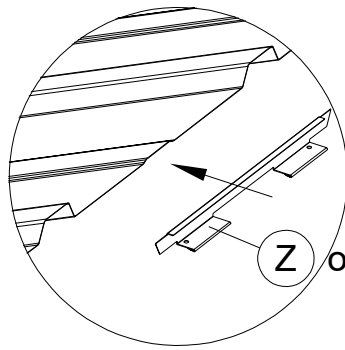
R5 2x



Z 36x



Z1 4x



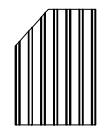
16



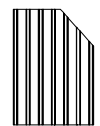
S1 2x



S4 2x

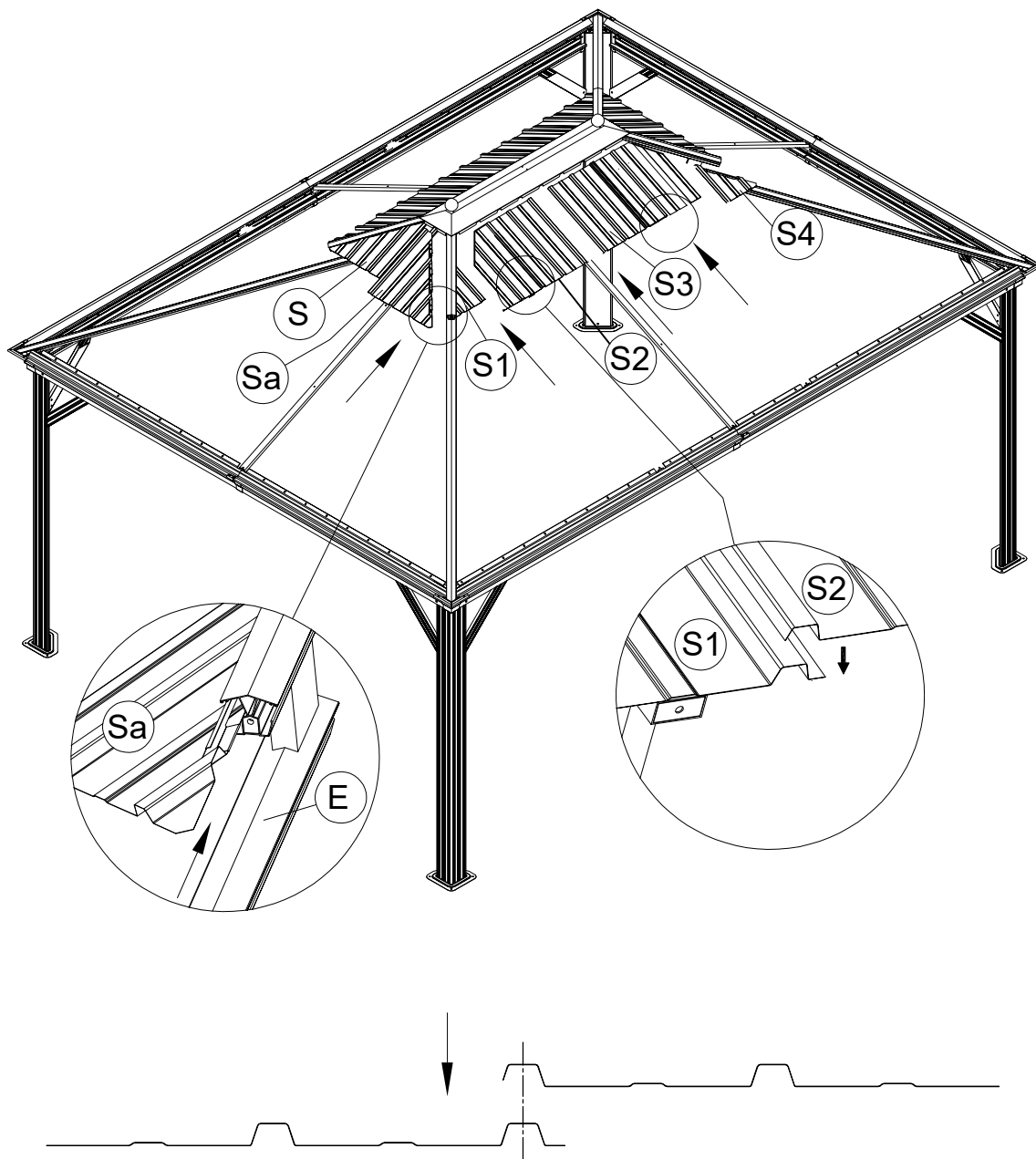


S2 2x



S3 2x

<14>



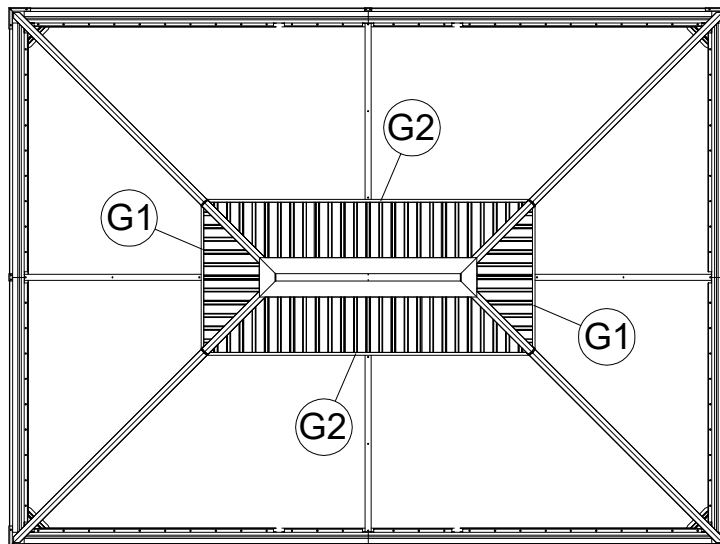
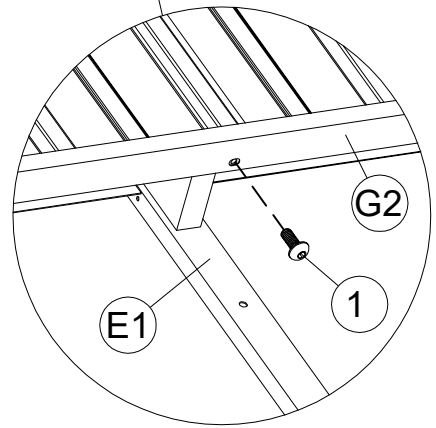
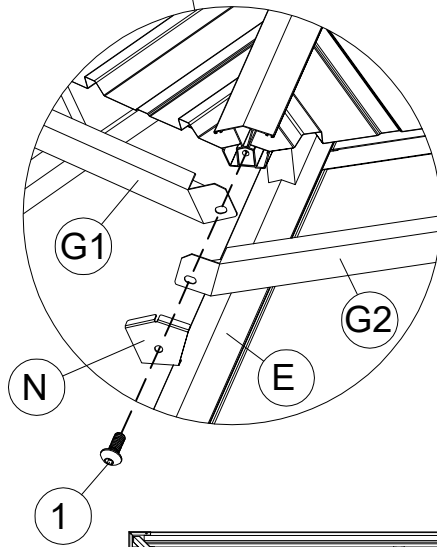
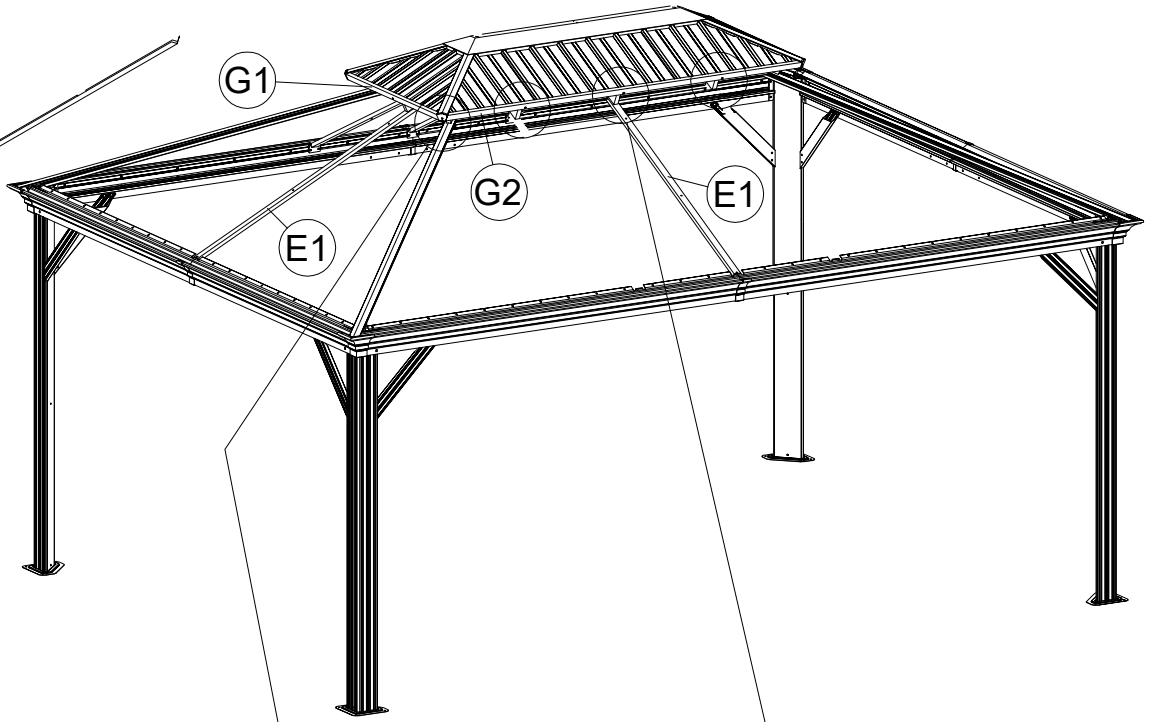
<15>

G1 2x

G2 2x

N 4x

1 8x M6x15



<16>

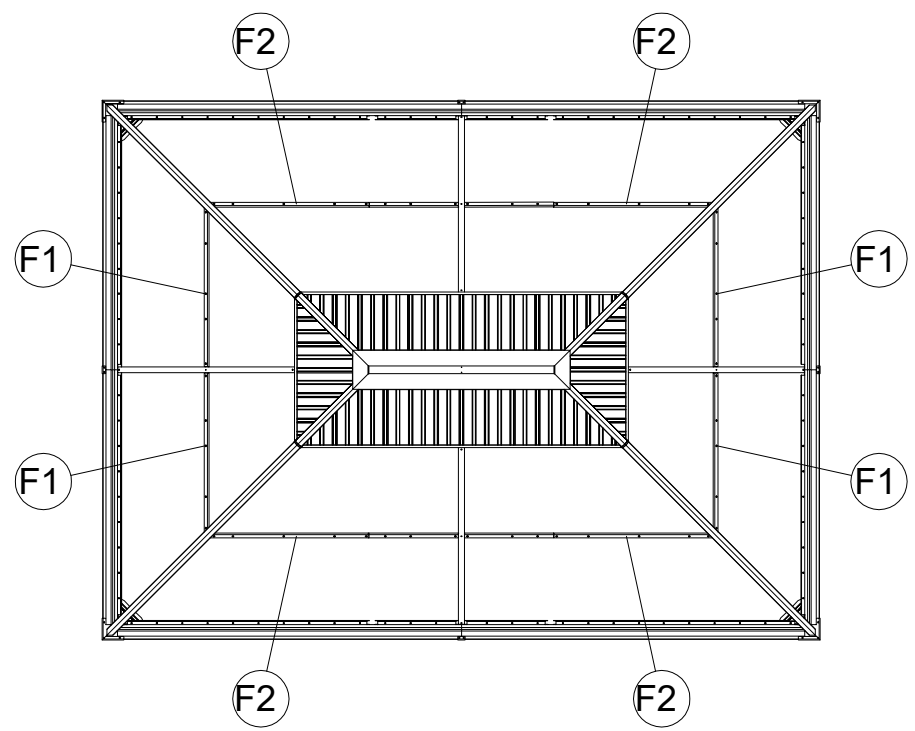
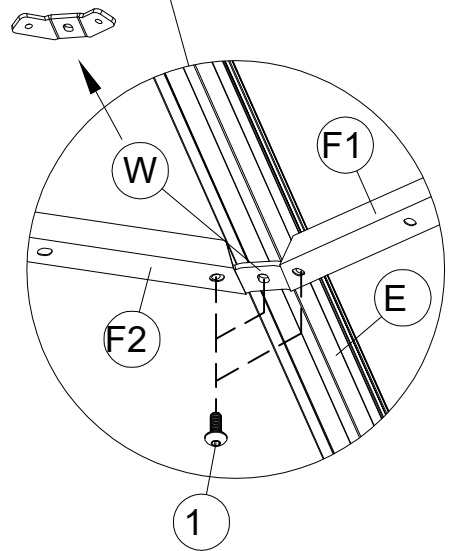
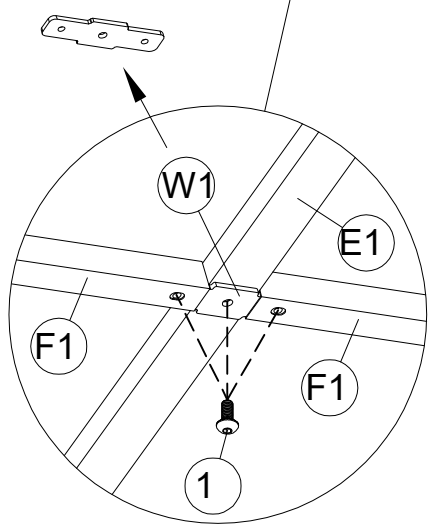
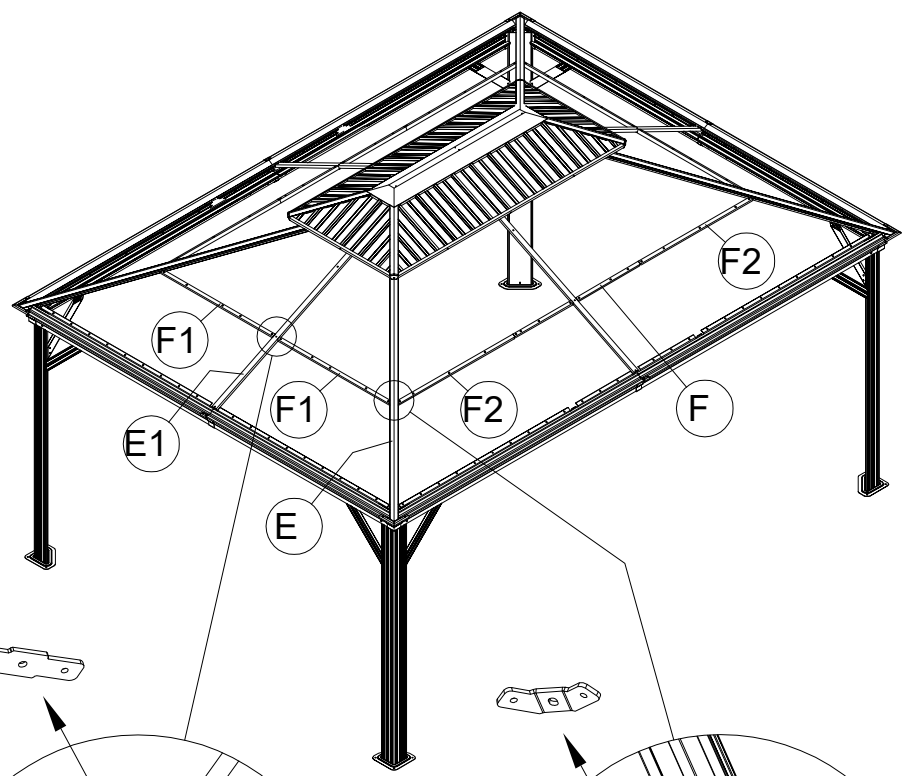
F1 4x

F2 4x

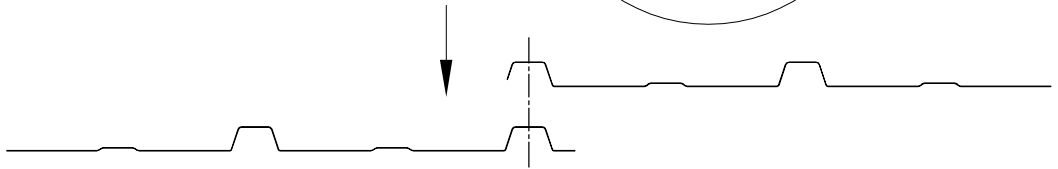
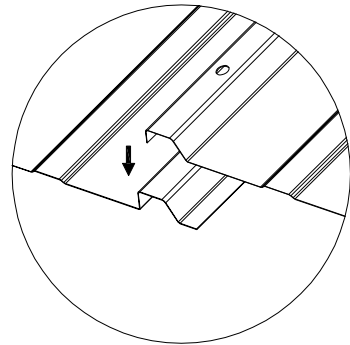
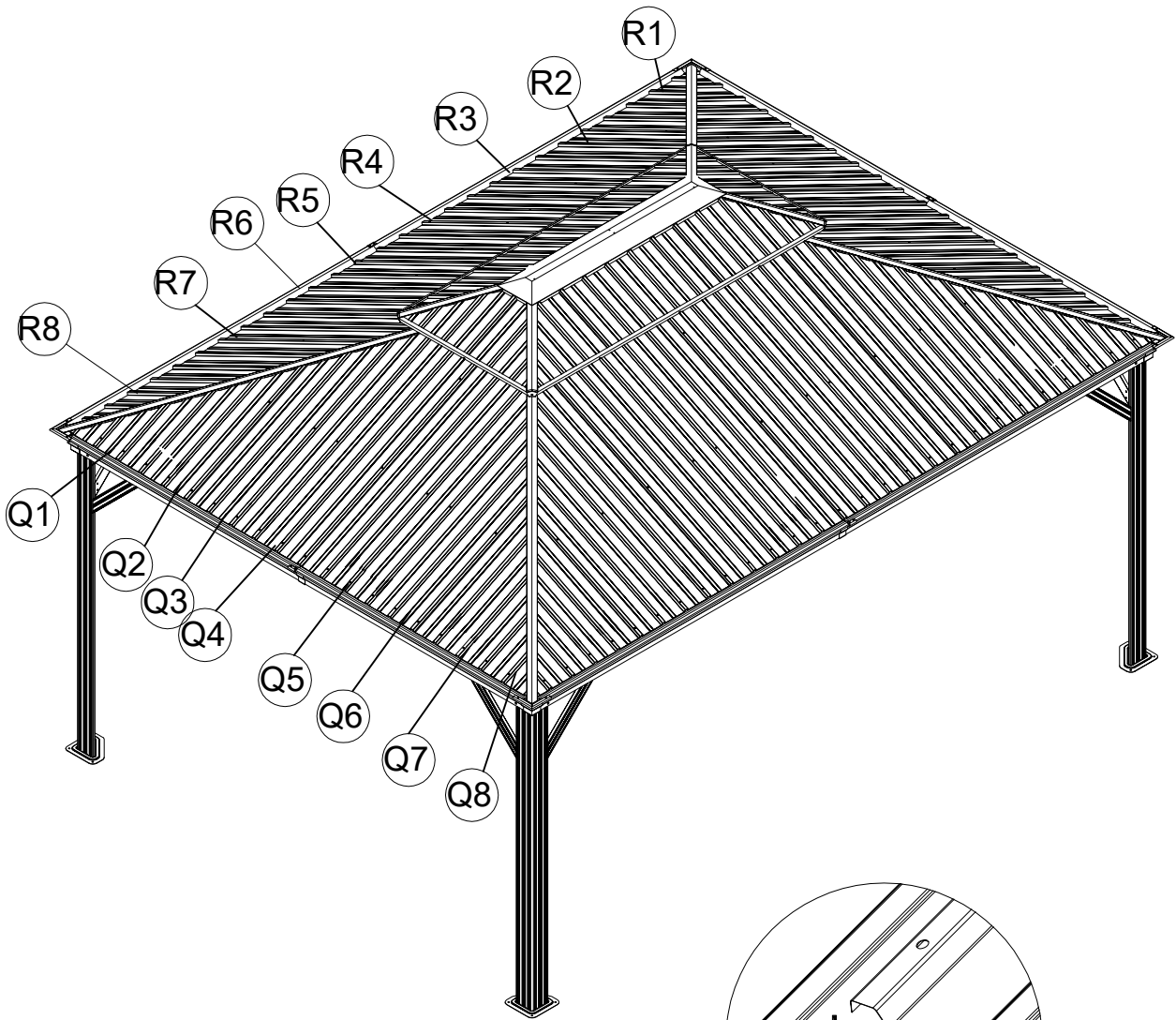
W 4x

W1 4x

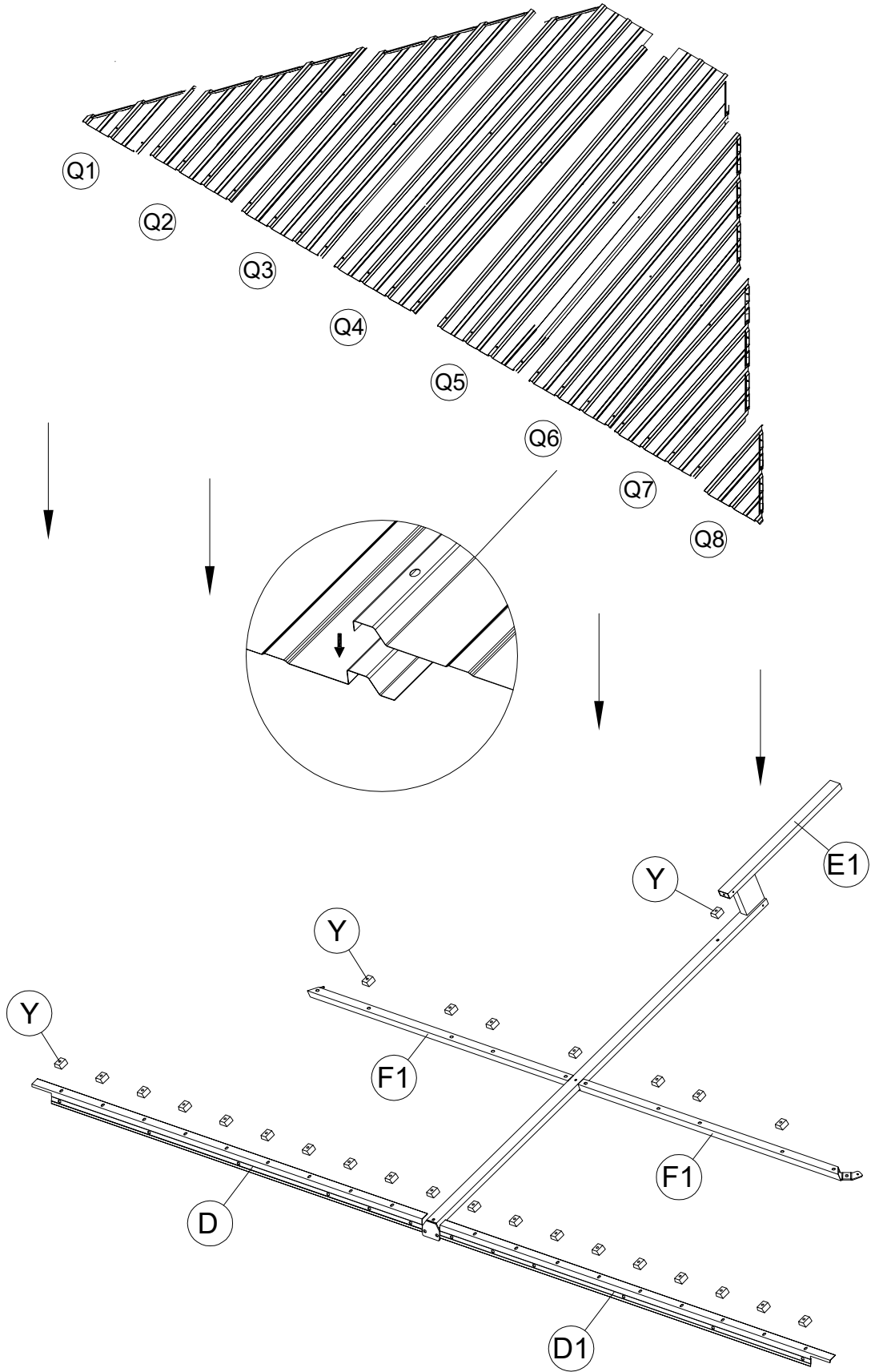
1 24x M6x15



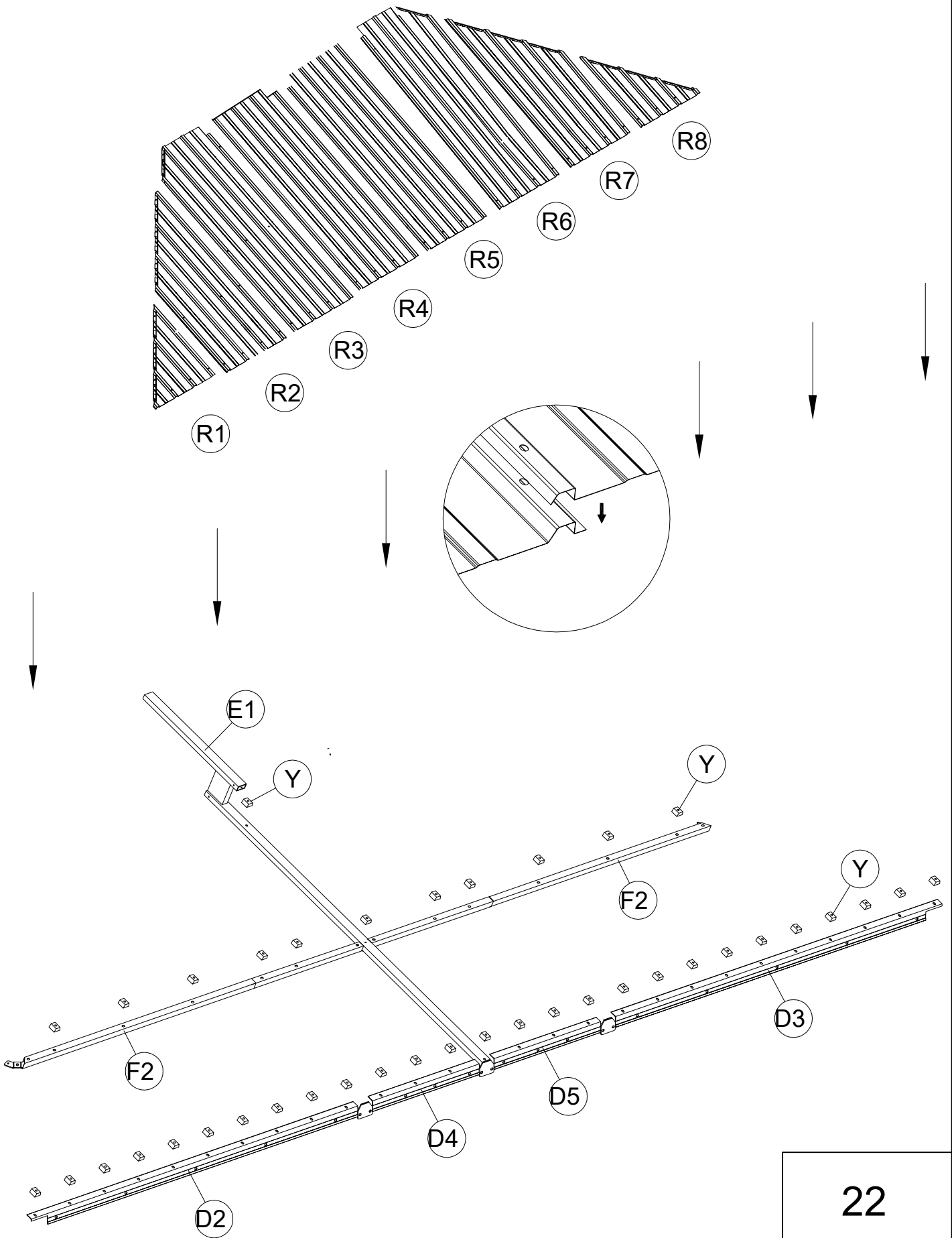
<17>



<18>



<19>





<20>

Y 128x



2 80x M6x23



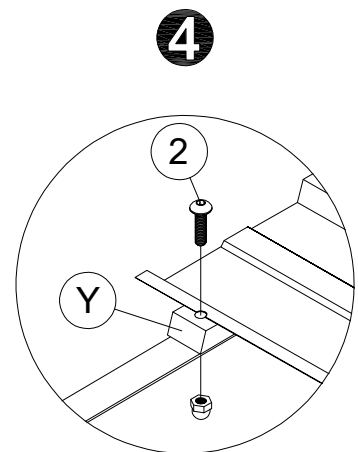
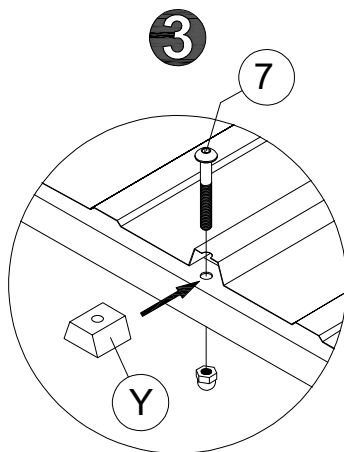
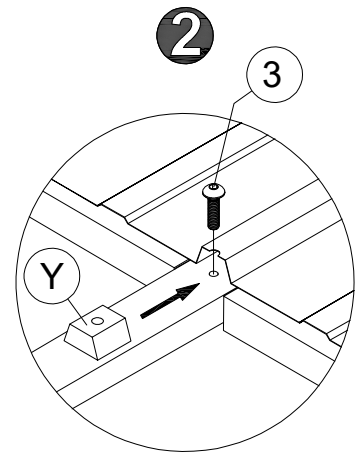
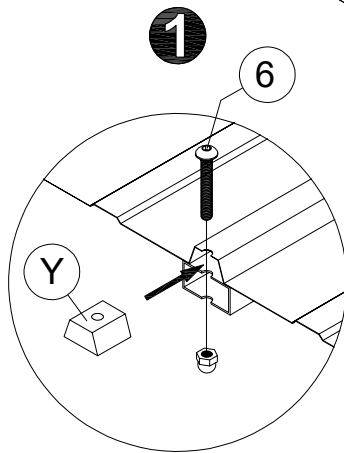
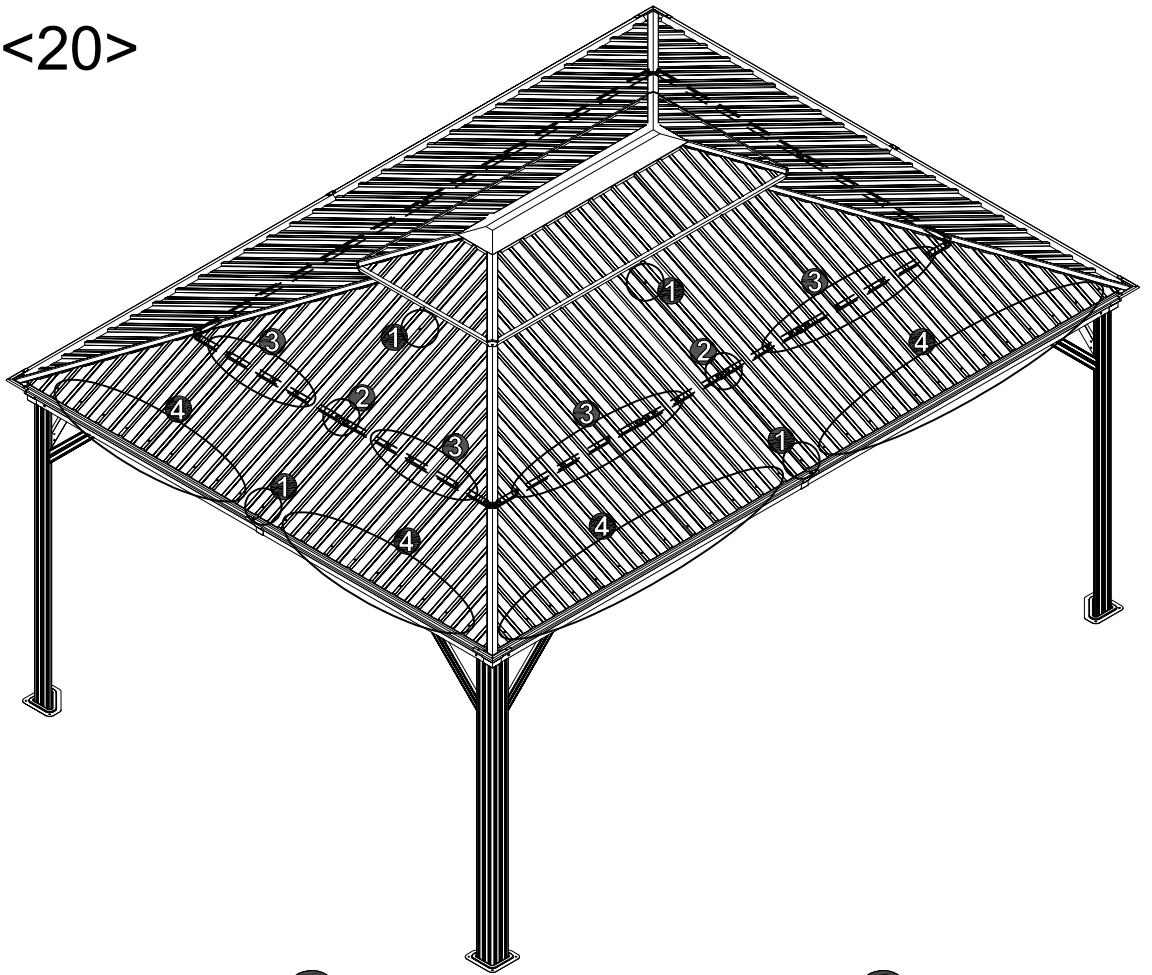
6 8x M6x42

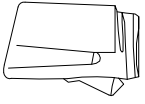


7 36x M6x47



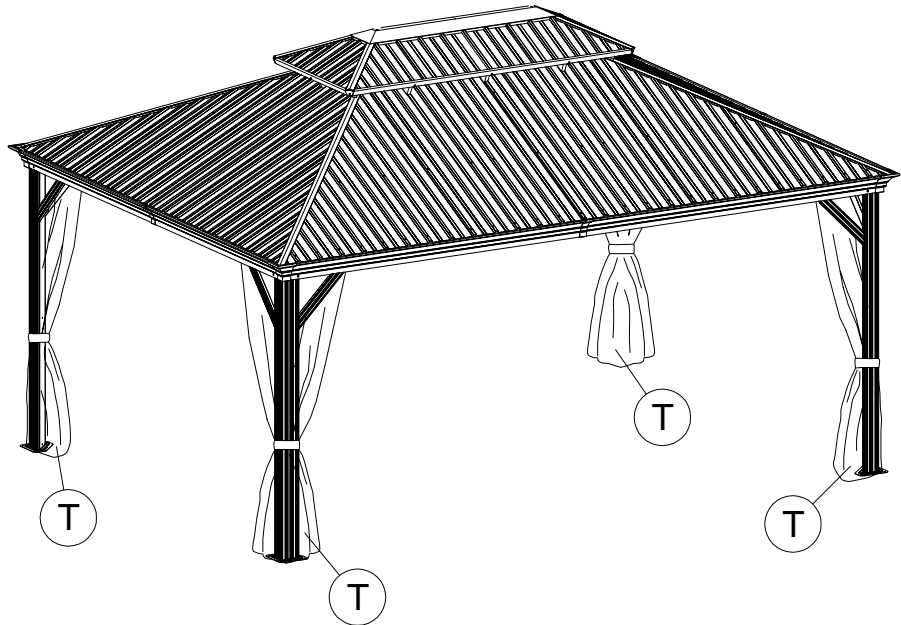
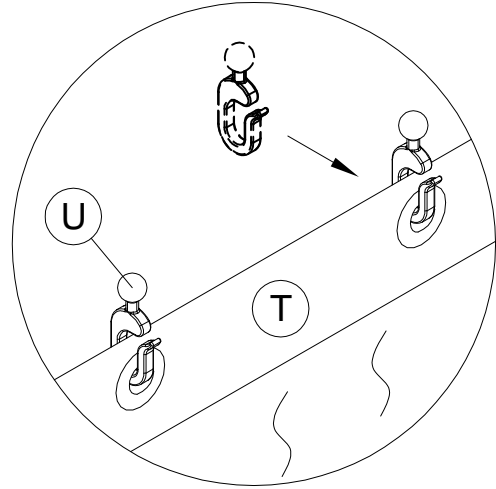
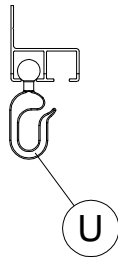
3 4x M6x25

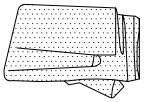




<21>

T 4x



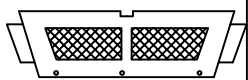


<22>

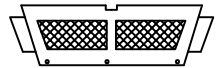
T1 4x



9 12x



V1 2x

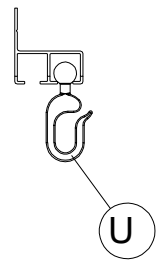


V2 2x

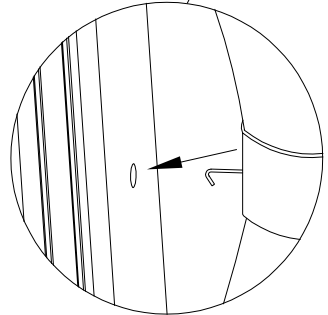
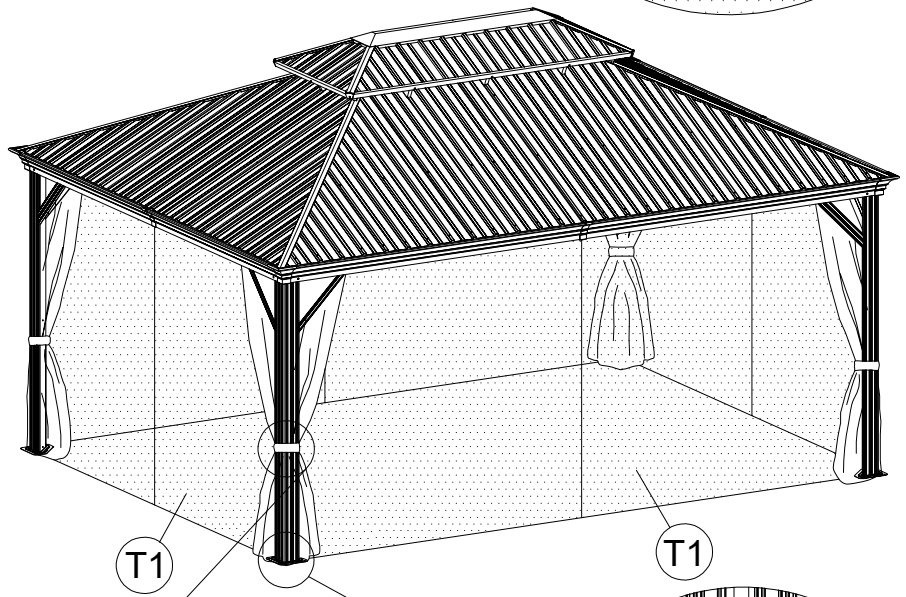
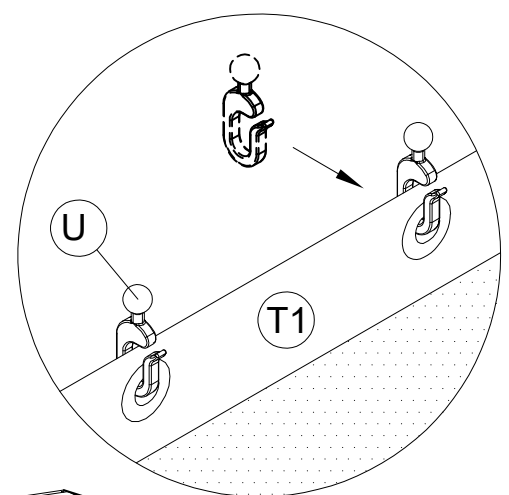


M6x10

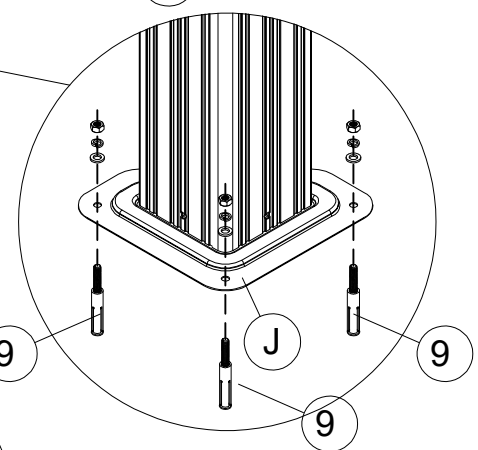
5 8x



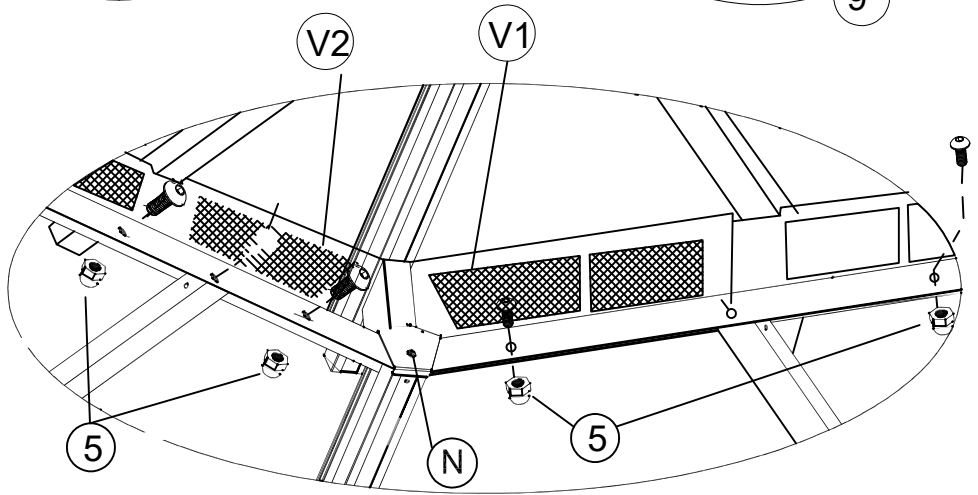
3



1



2



25

Box A		Box B		Box C	
Part #	Qty	Part #	Qty	Part #	Qty
A	4	K1	4	Q1	2
B	2	L	1	Q2	2
B1	2	M	1	Q3	2
C	2	N	8	Q4	2
C1	2	U	120	Q5	2
C2	2	Y	128	Q6	2
C3	2	Z	72	Q7	2
D	2	Z1	12	Q8	2
D1	2	W	4	R1	2
D2	2	W1	4	R2	2
D3	2	T1	4	R3	2
F1	4	V1	2	R4	2
F2	4	V2	2	R5	2
G1	2	①	240	R6	2
G2	2	②	80	R7	2
G3	2	③	4	R8	2
G4	2	④	24	S	2
J	4	⑤	8	Sa	2
T	4	⑥	8	S1	2
Box B		⑦	36	S2	2
		⑧	16	S3	2
E	4	⑨	12	S4	2
E1	4	⑩	1		
B2	2	⑪	2		
B3	2	V	4		
H	4				
H1	4				
P	4				
K	4				