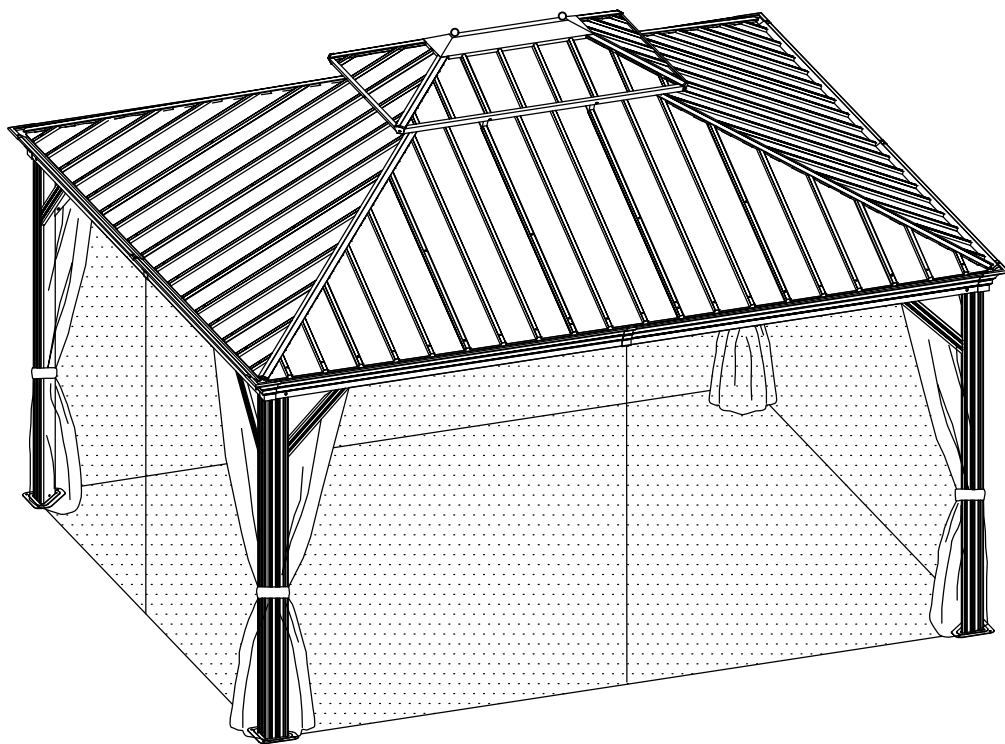


12 x 14FT

|| || || || || || || || XWG-214TN-1 || || || || || || || ||





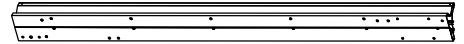
A 4x



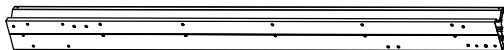
B1 2x



B2 2x



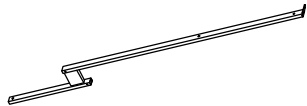
B3 2x



B4 2x



E 4x



E1 6x



C1 2x



C2 2x



C3 2x



C4 2x



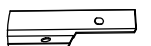
D 2x



D1 2x



D2 2x



D3 2x



D4 2x



F1 8x



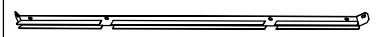
F2 2x



E5 4x



I1 2x



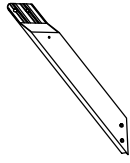
I2 2x



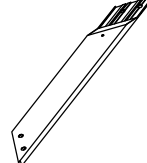
G1 2x



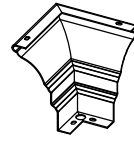
G2 2x



H 4x



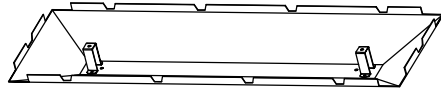
H1 4x



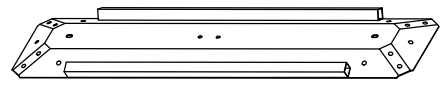
K 4x



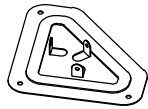
K1 4x



M2b 1x



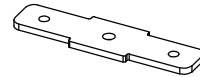
L2 1x



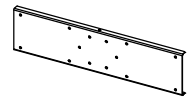
J 4x



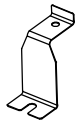
W 4x



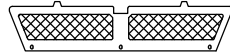
W1 6x



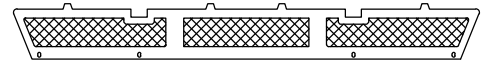
P 4x



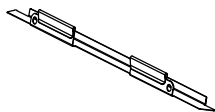
V 4x



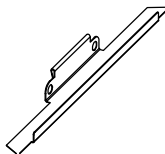
V1 2x



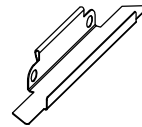
V2 2x



Z 64x



Z1 8x



Z2 8x



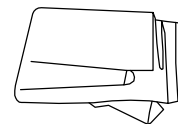
Y 88x



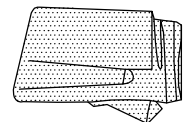
U 120x



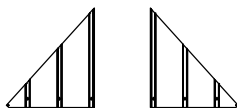
N 8x



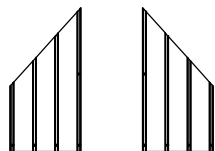
T 4x



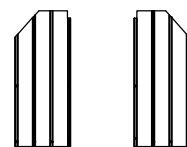
T1 4x



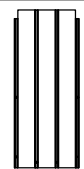
R1 4x R2 4x



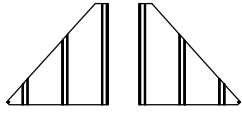
R3 4x R4 4x



R5 4x R6 4x

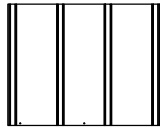


R7 2x

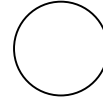


S1 4x

S2 4x



S3 2x



Za 2x



M6x15

1 266x



M6x23

2 68x



M6x25

3 6x



ST 4.8x12

4 24x



5 2x



M6x42

6 6x



M6x47

7 8x



8 16x

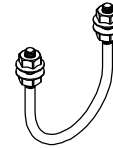


M6x10

9 8x



10 12x



11 1x



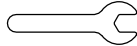
4mm

12 2x



6mm

13 1x



14 1x

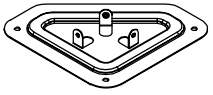


A 4x



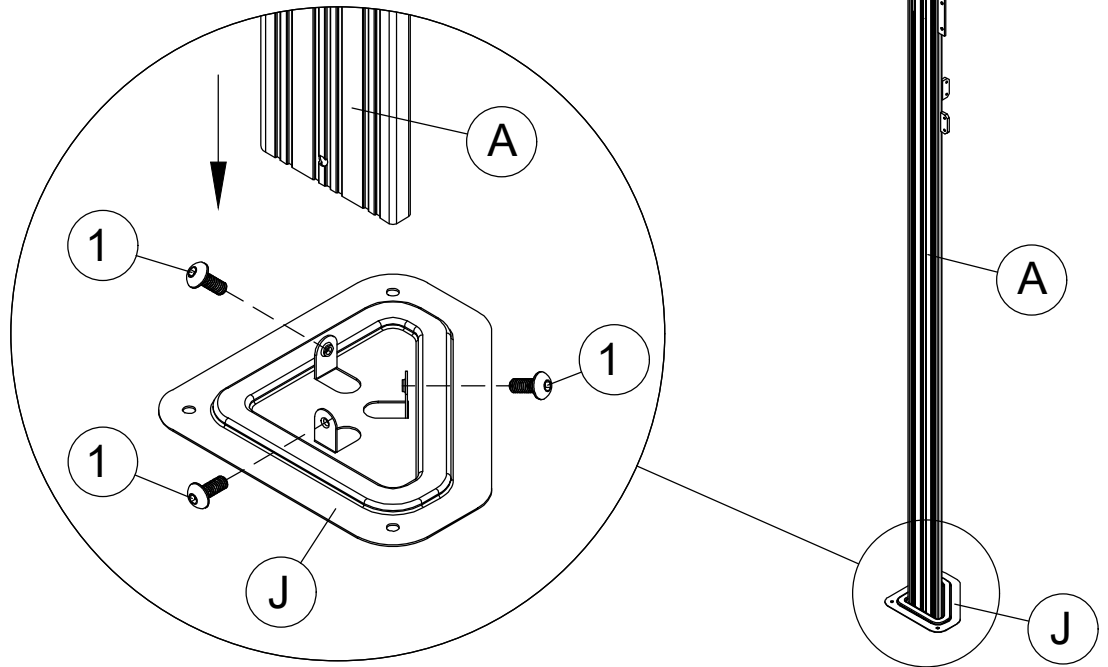
M6x15

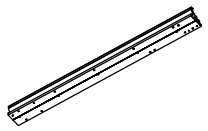
1 12x



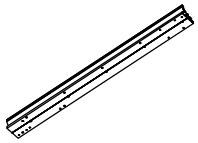
J 4x

<1>





B1 2x



B2 2x



C1 2x



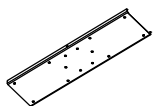
C2 2x



D1 2x



D2 2x



P 2x

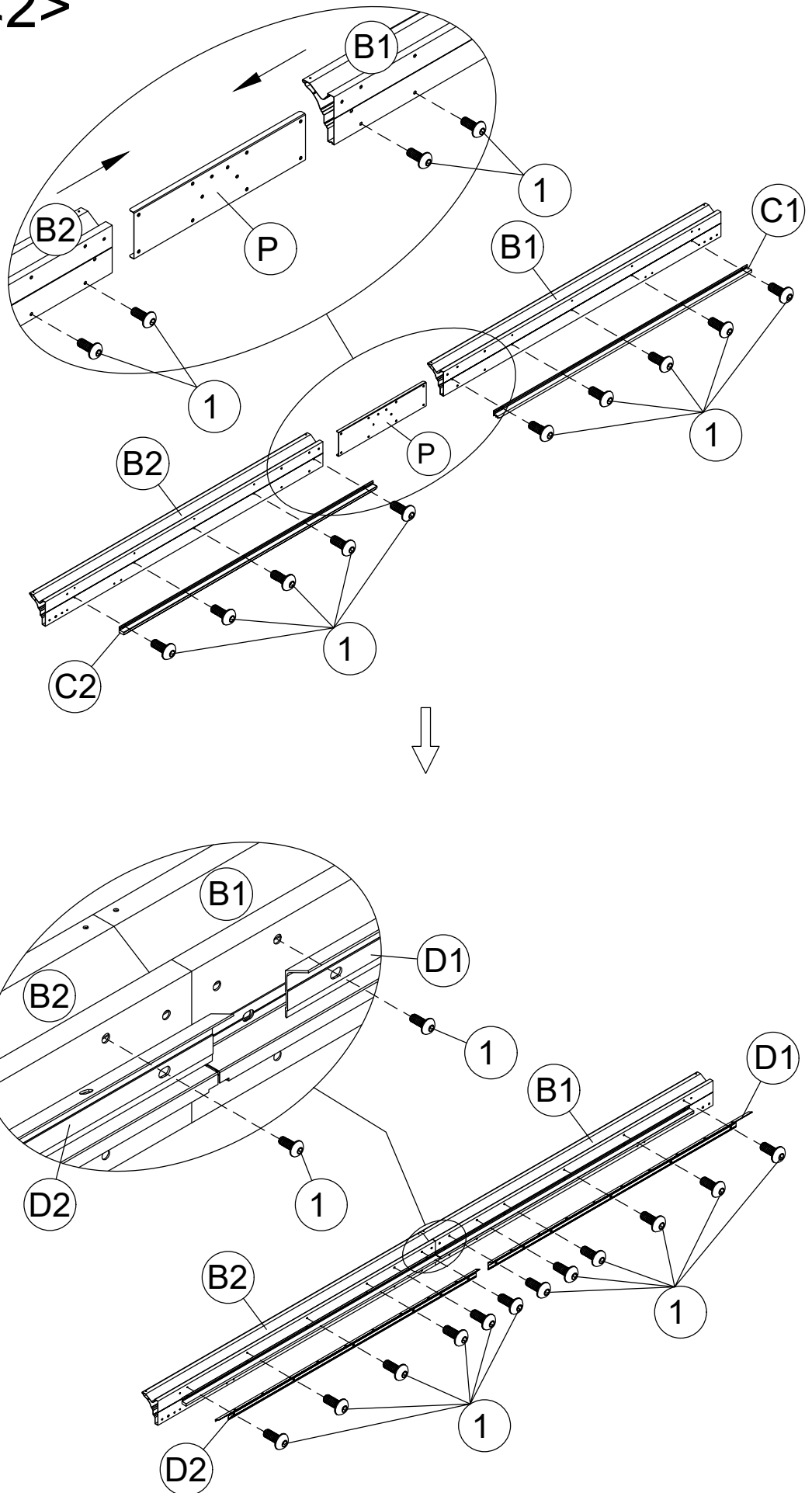


M6x15

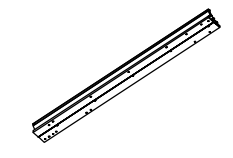
1 52x

6

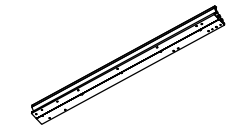
<2>



<3>



B3 2x



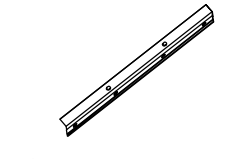
B4 2x



C3 2x



C4 2x



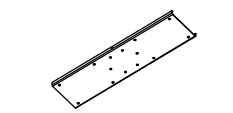
D 2x



D3 2x



D4 2x

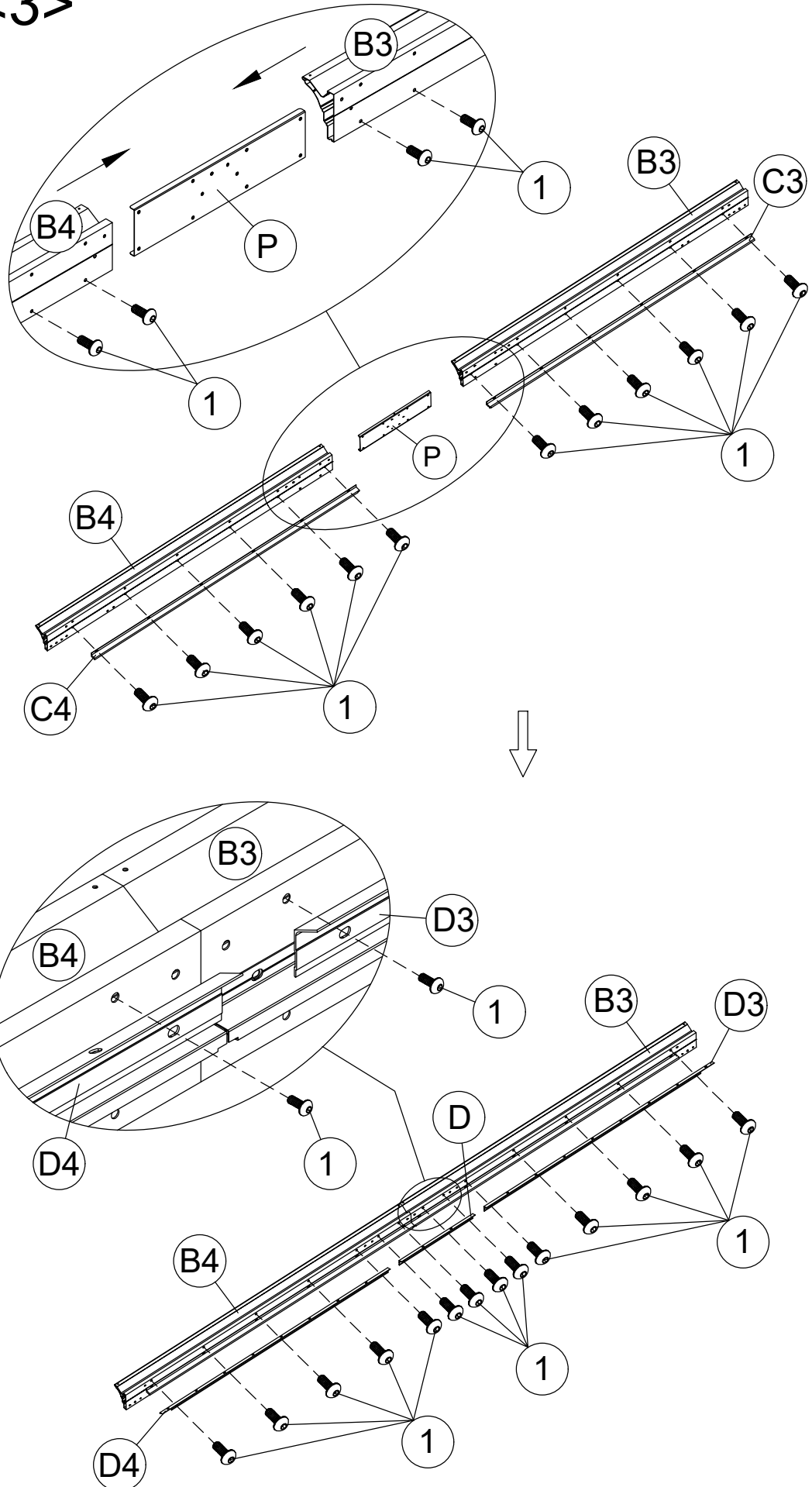


P 2x



M6x15

1 60x





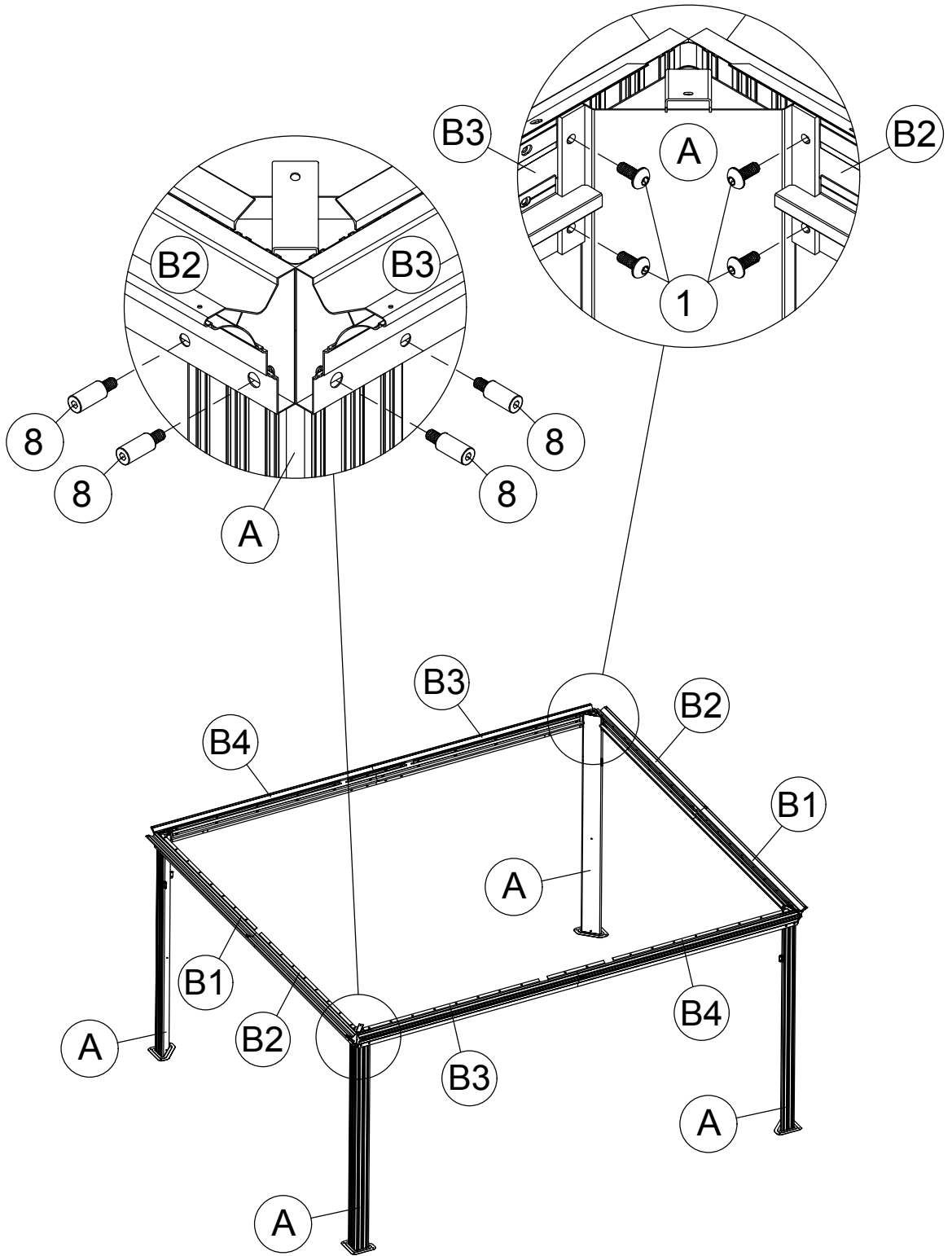
M6x15

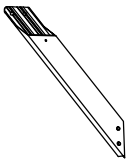
1 16x



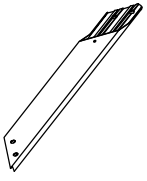
8 16x

<4>





H 4x



H1 4x



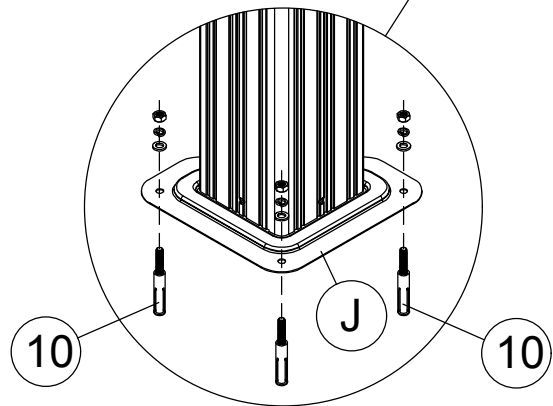
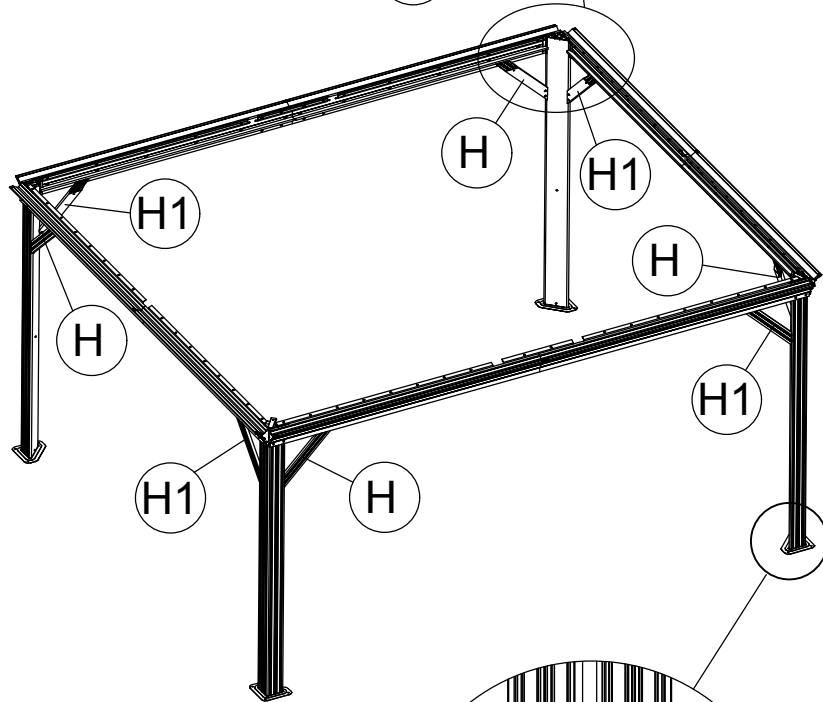
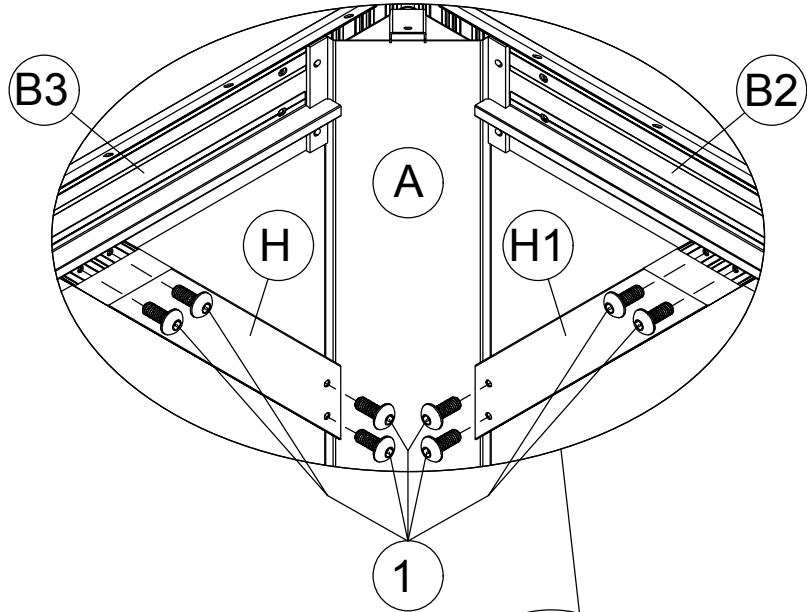
M6x15

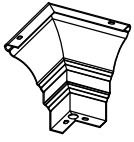
1 32x



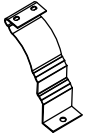
10 12x

<5>





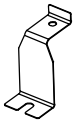
K 4x



K1 4x



U 120x



V 4x



M6x15

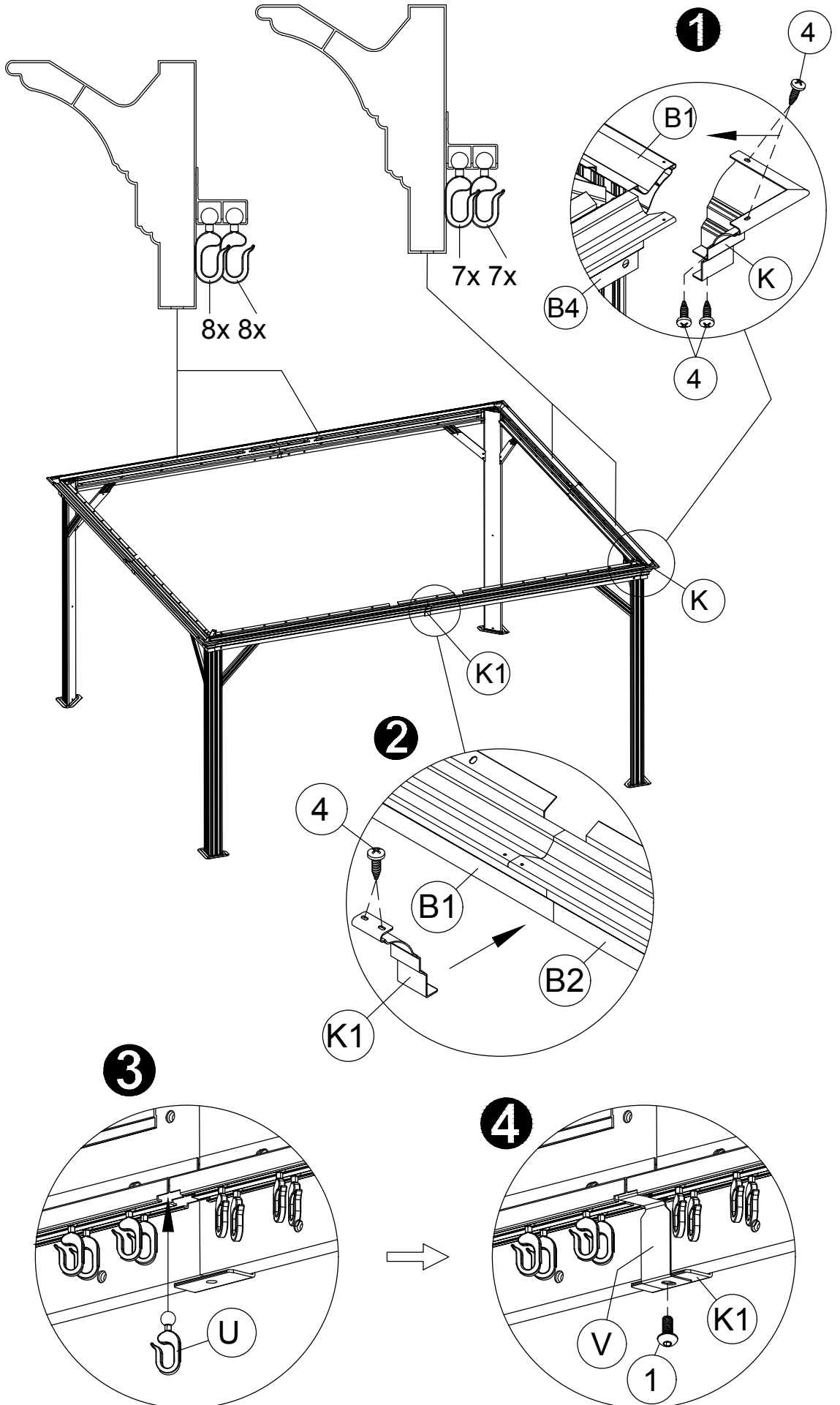
1 4x

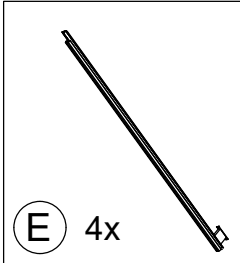


ST 4.8x12

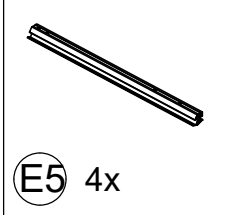
4 24x

<6>

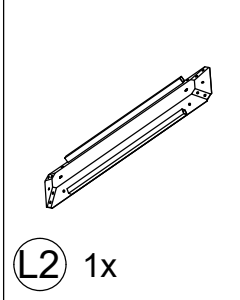




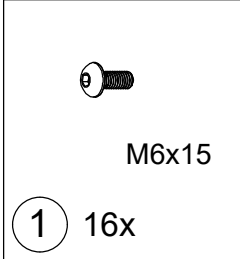
E 4x



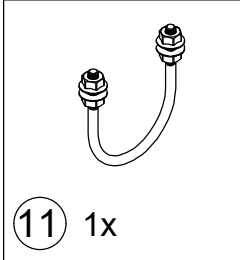
E5 4x



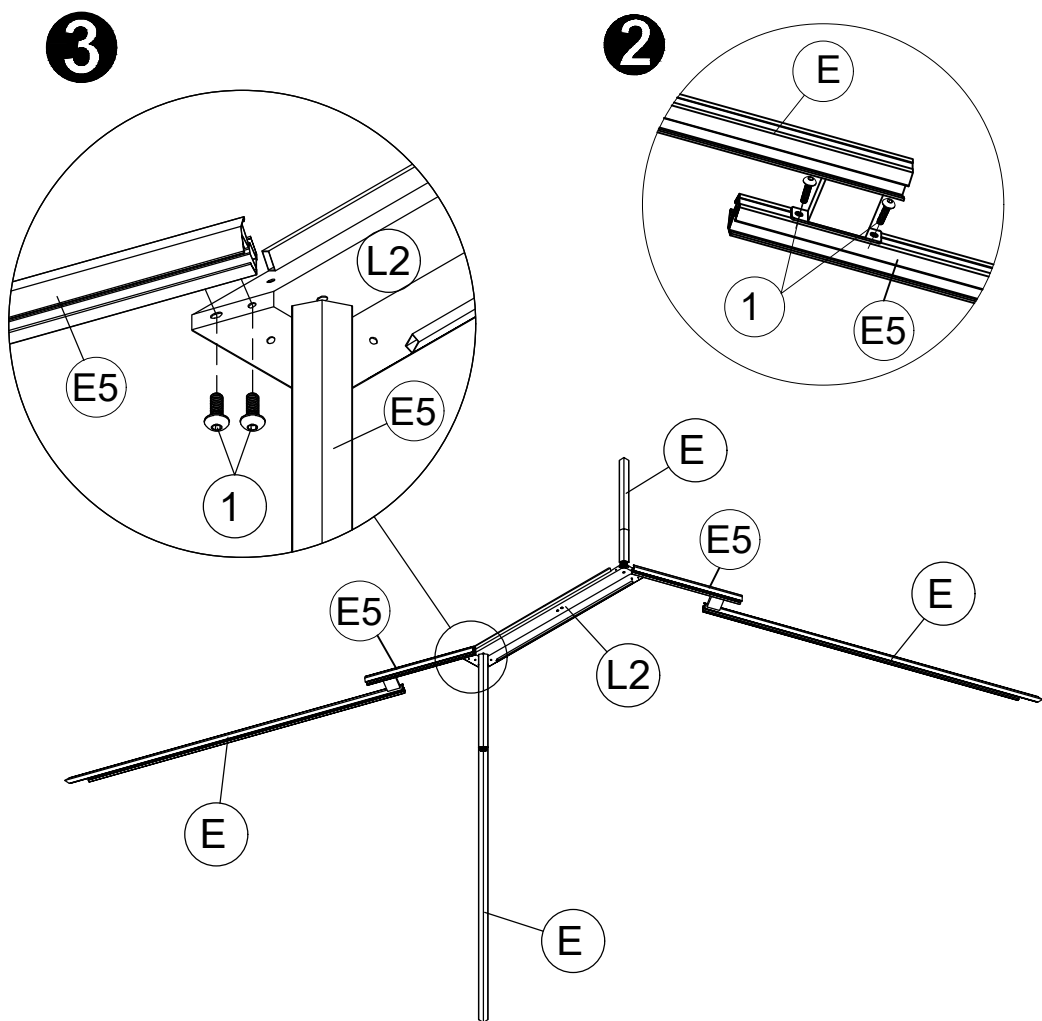
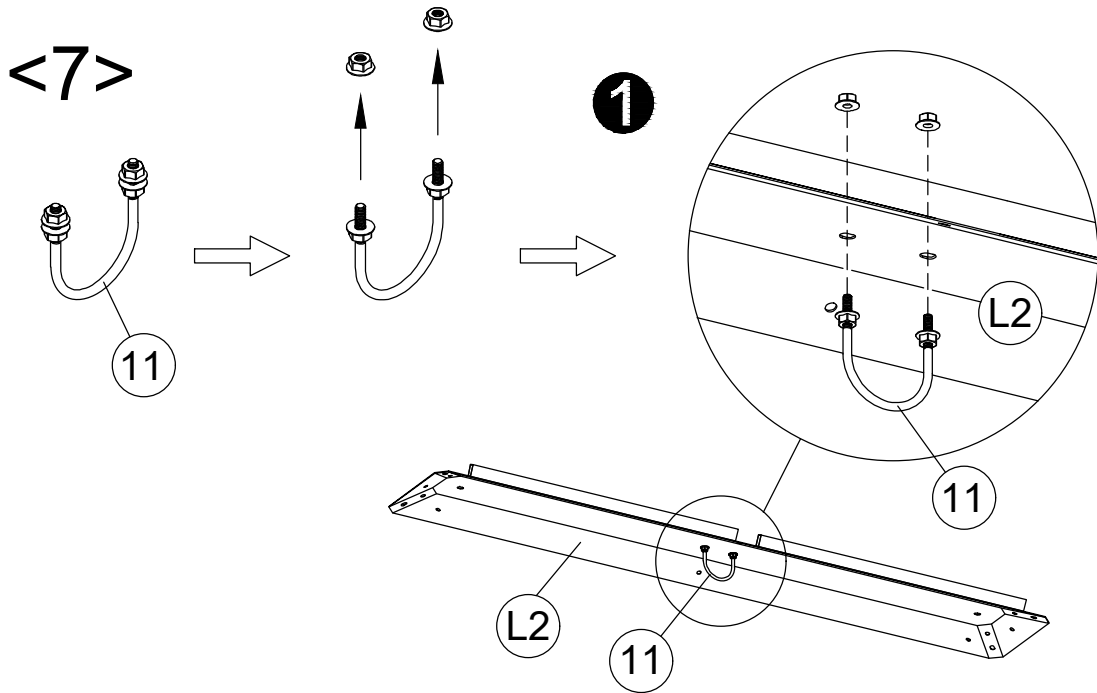
L2 1x



1 16x



11 1x

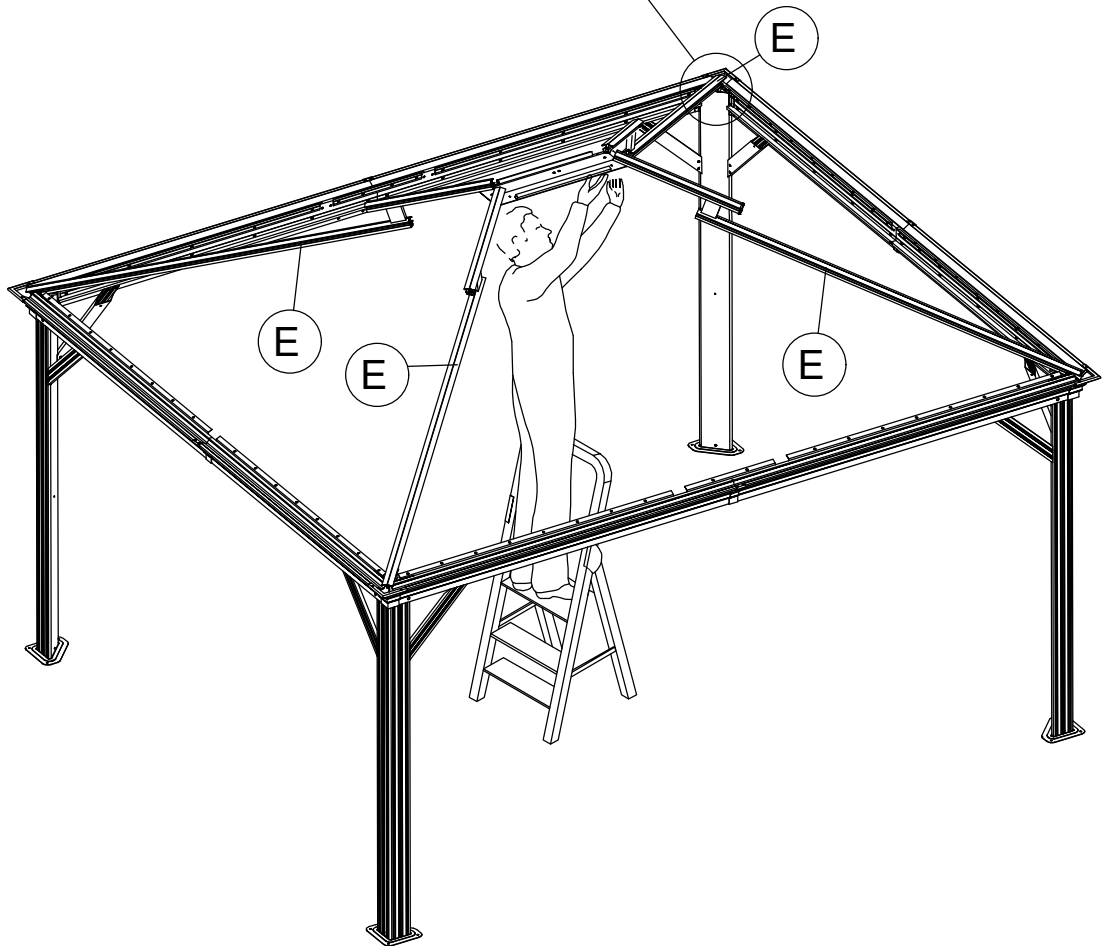
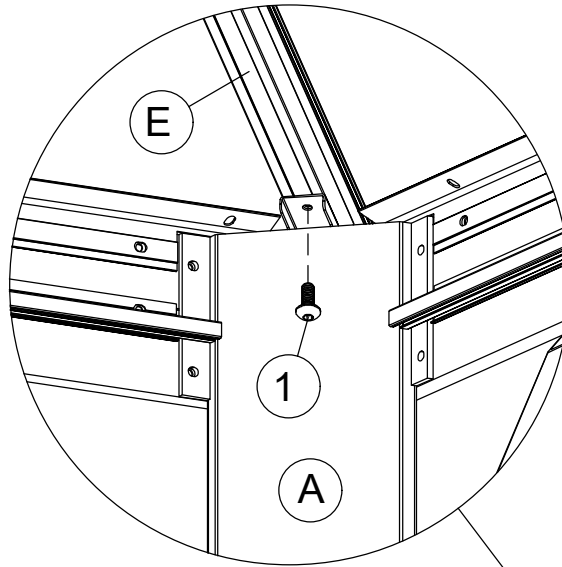




M6x15

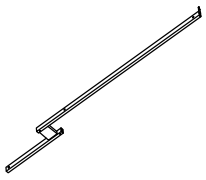
1 4x

<8>



Note:

1. Let one person stand on the ladder to lift "L2" and hold and let others fasten the screws connecting both ends of "E".
2. Please do not let go of holding "L2" until all the "E" screws are installed.



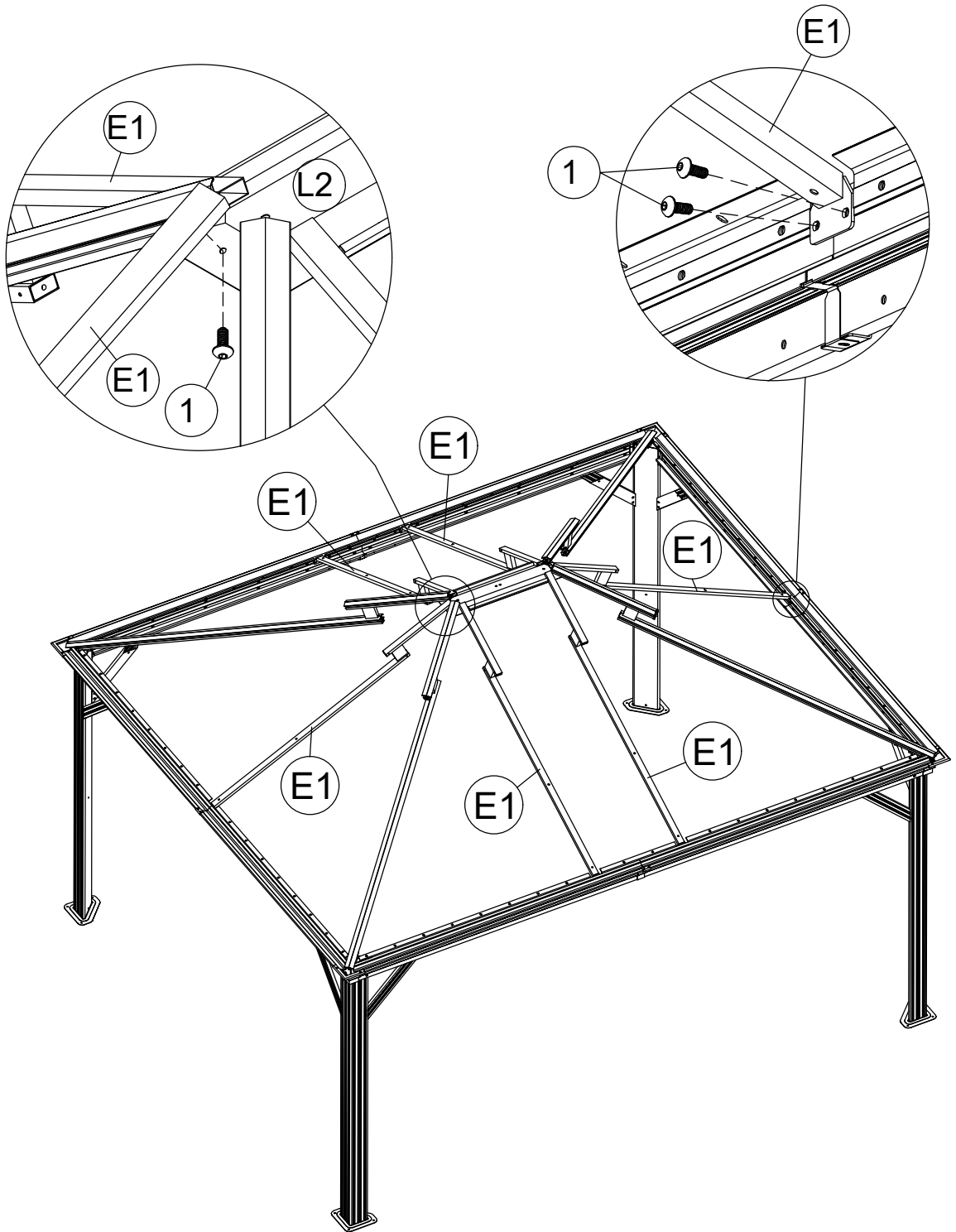
E1 6x

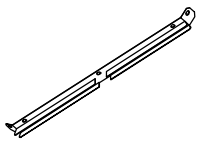


M6x15

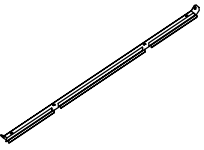
1 18x

<9>





I1 2x



I2 2x



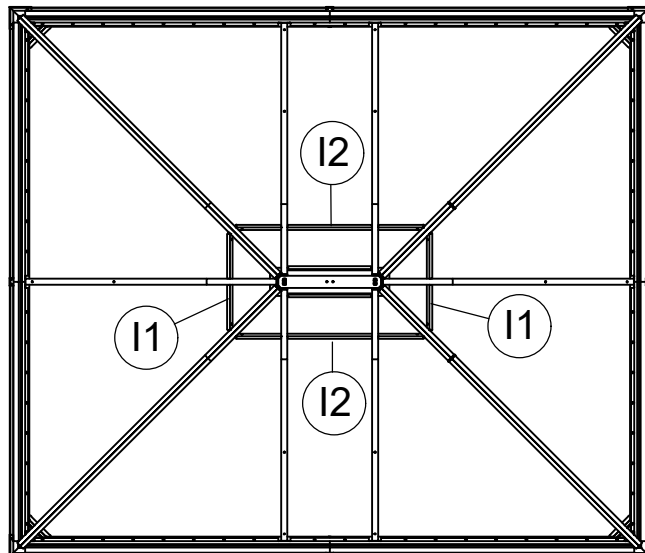
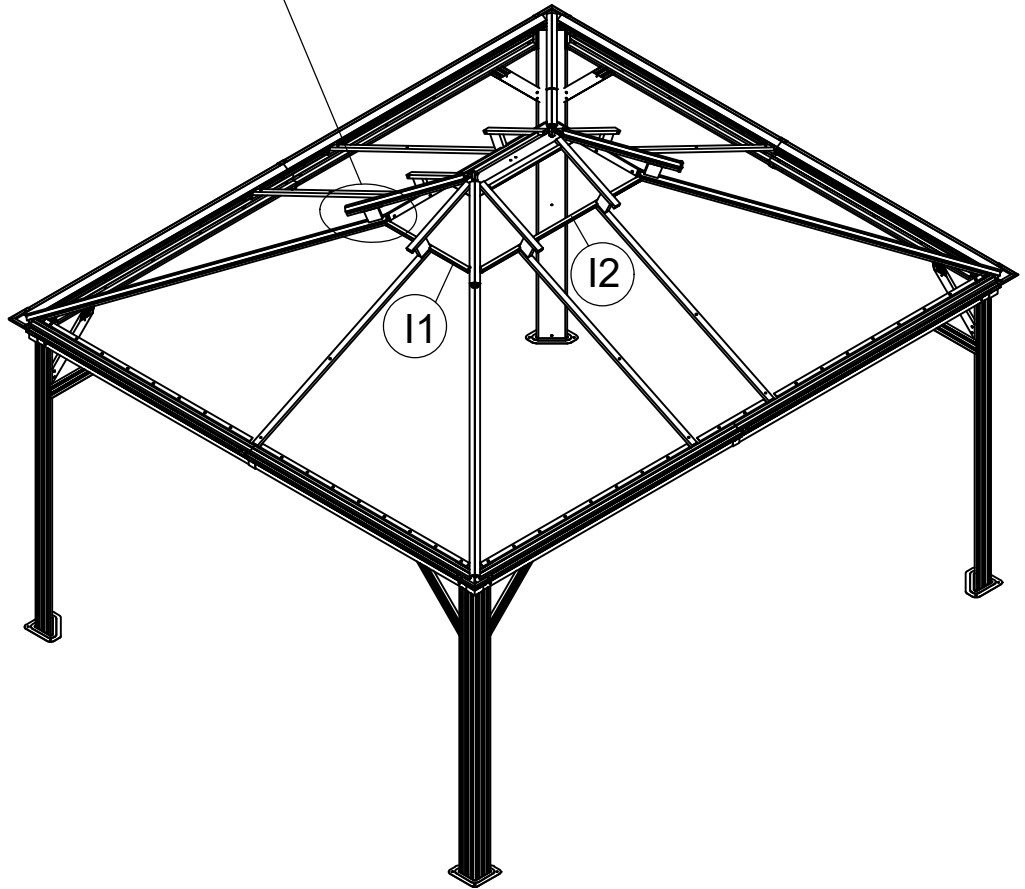
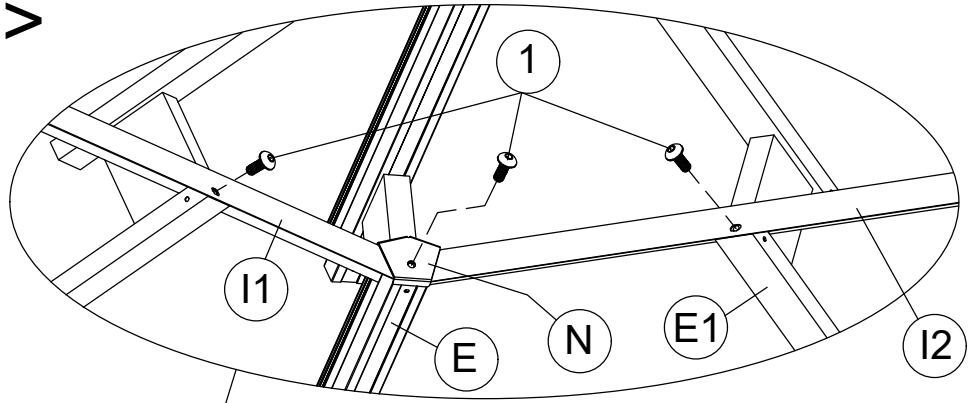
N 4x



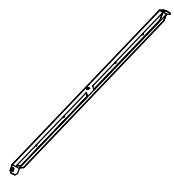
M6x15

1 10x

<10>



<11>



G1 2x



G2 2x

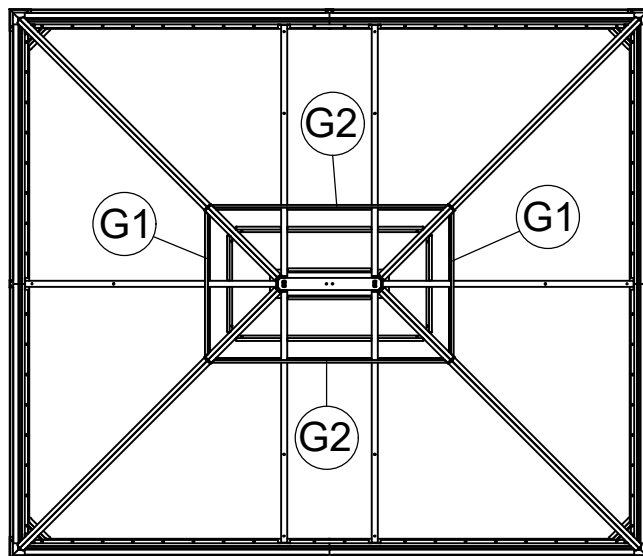
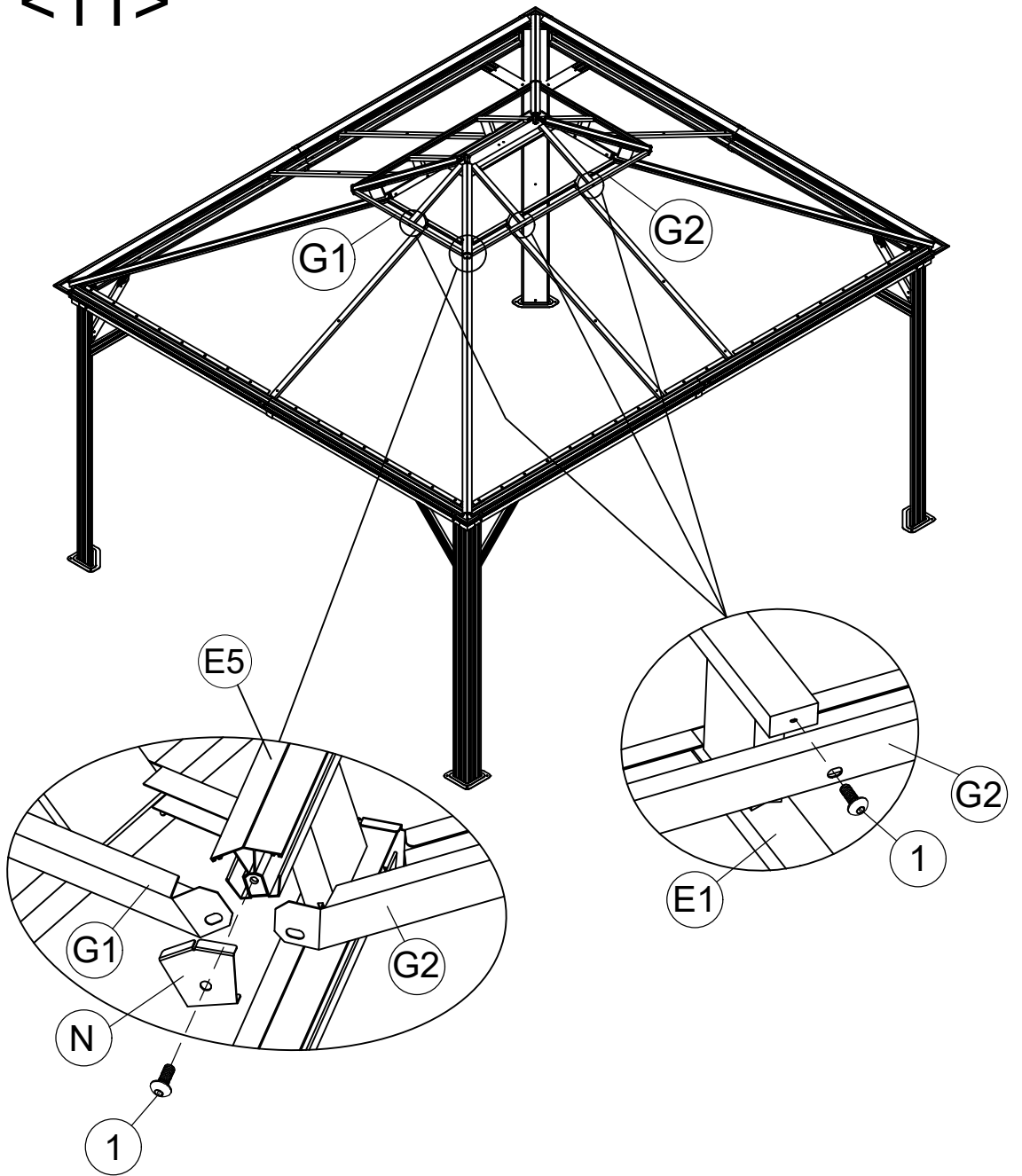


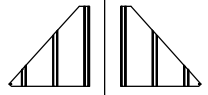
N 4x



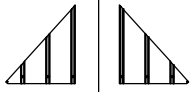
M6x15

1 10x

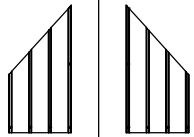




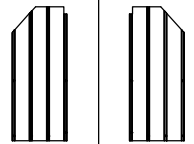
S1 2x S2 2x



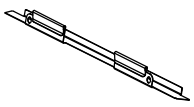
R1 2x R2 2x



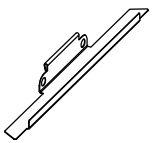
R3 2x R4 2x



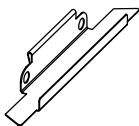
R5 2x R6 2x



Z 32x

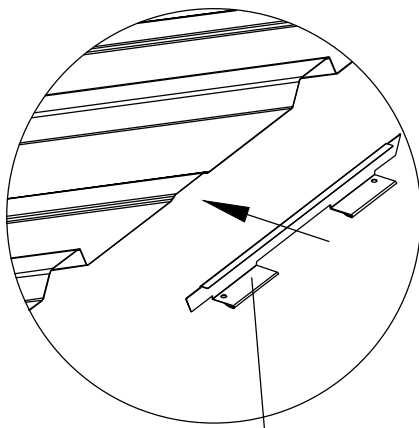


Z1 4x

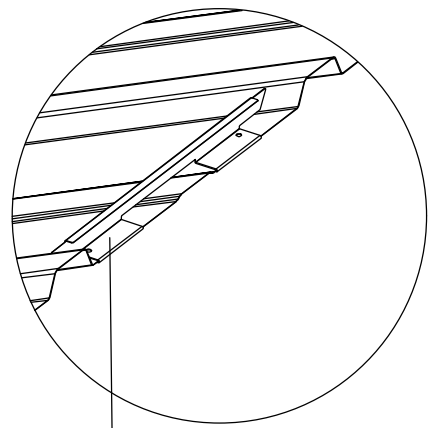
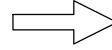


Z2 4x

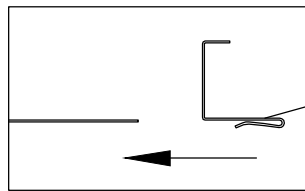
<12>



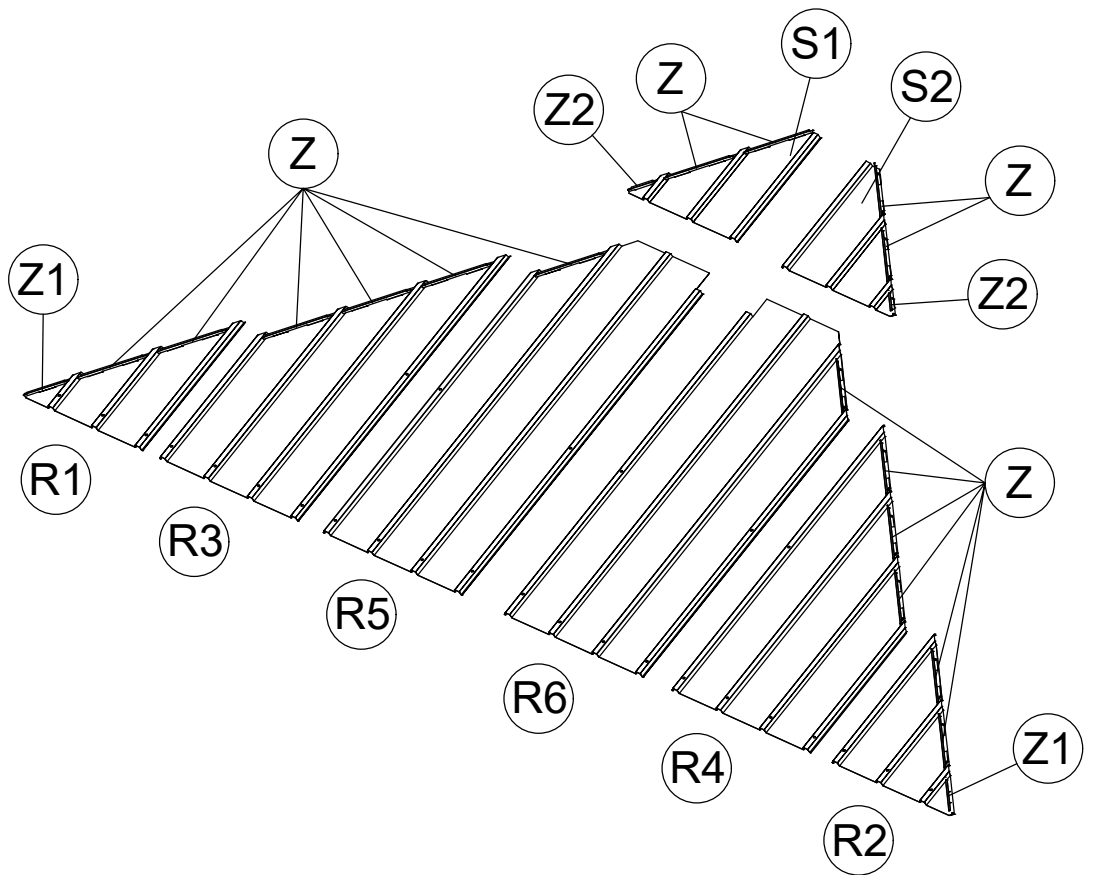
Z or Z1 or Z2



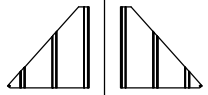
Z or Z1 or Z2



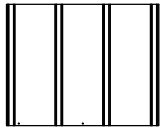
Z or Z1 or Z2



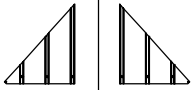
<13>



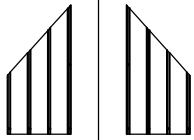
S1 2x S2 2x



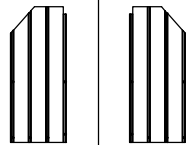
S3 2x



R1 2x R2 2x



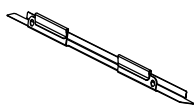
R3 2x R4 2x



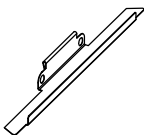
R5 4x R6 4x



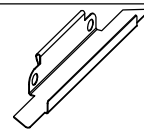
R7 2x



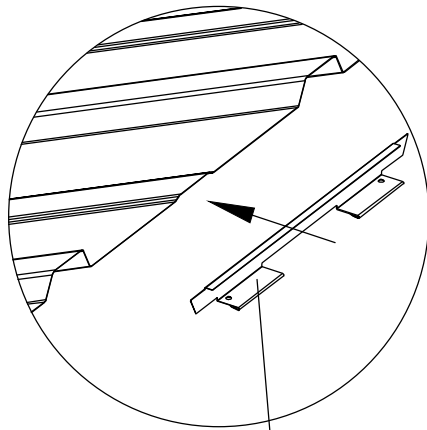
Z 32x



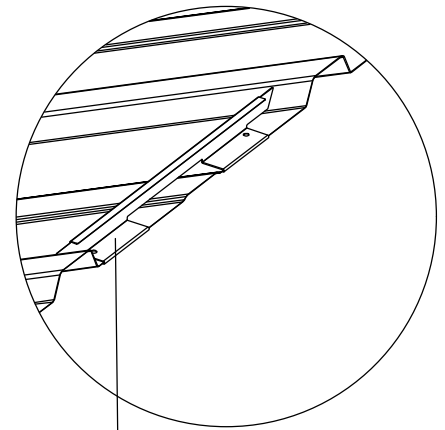
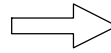
Z1 4x



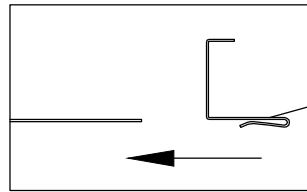
Z2 4x



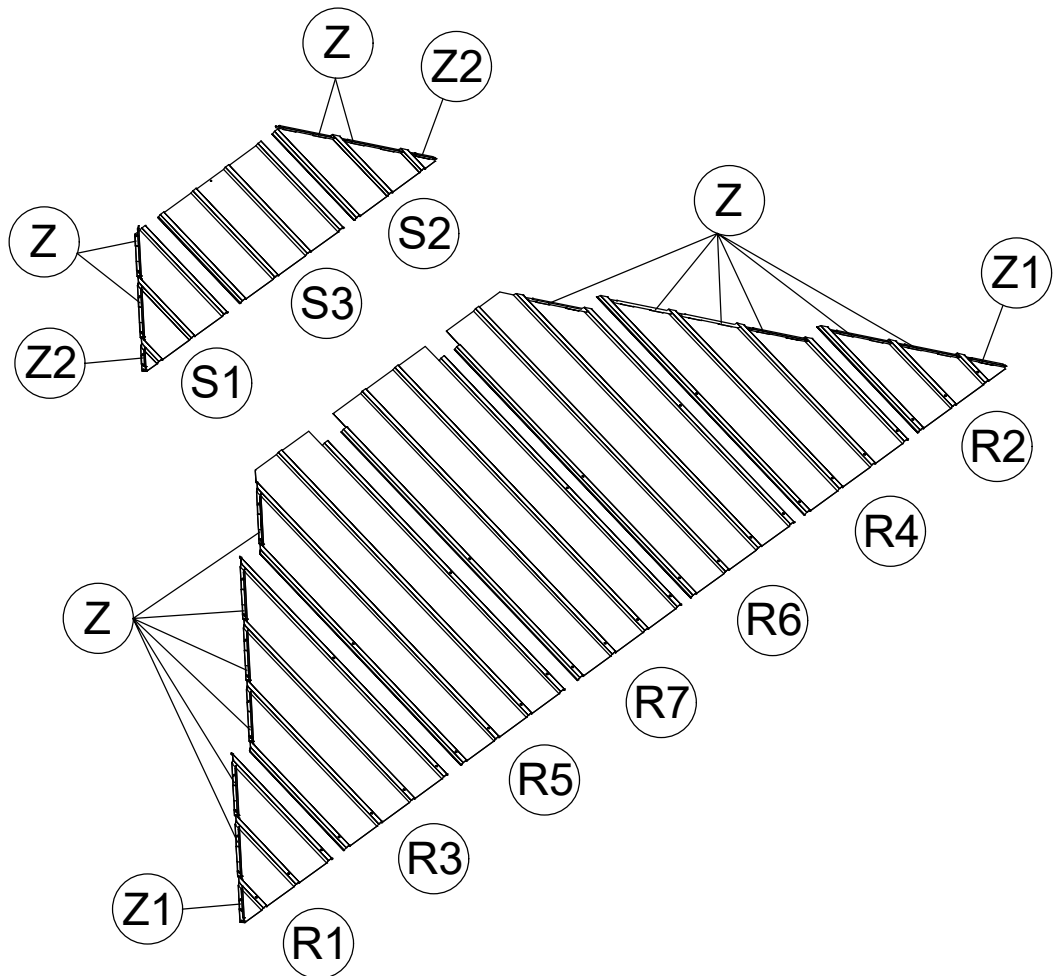
Z or Z1 or Z2



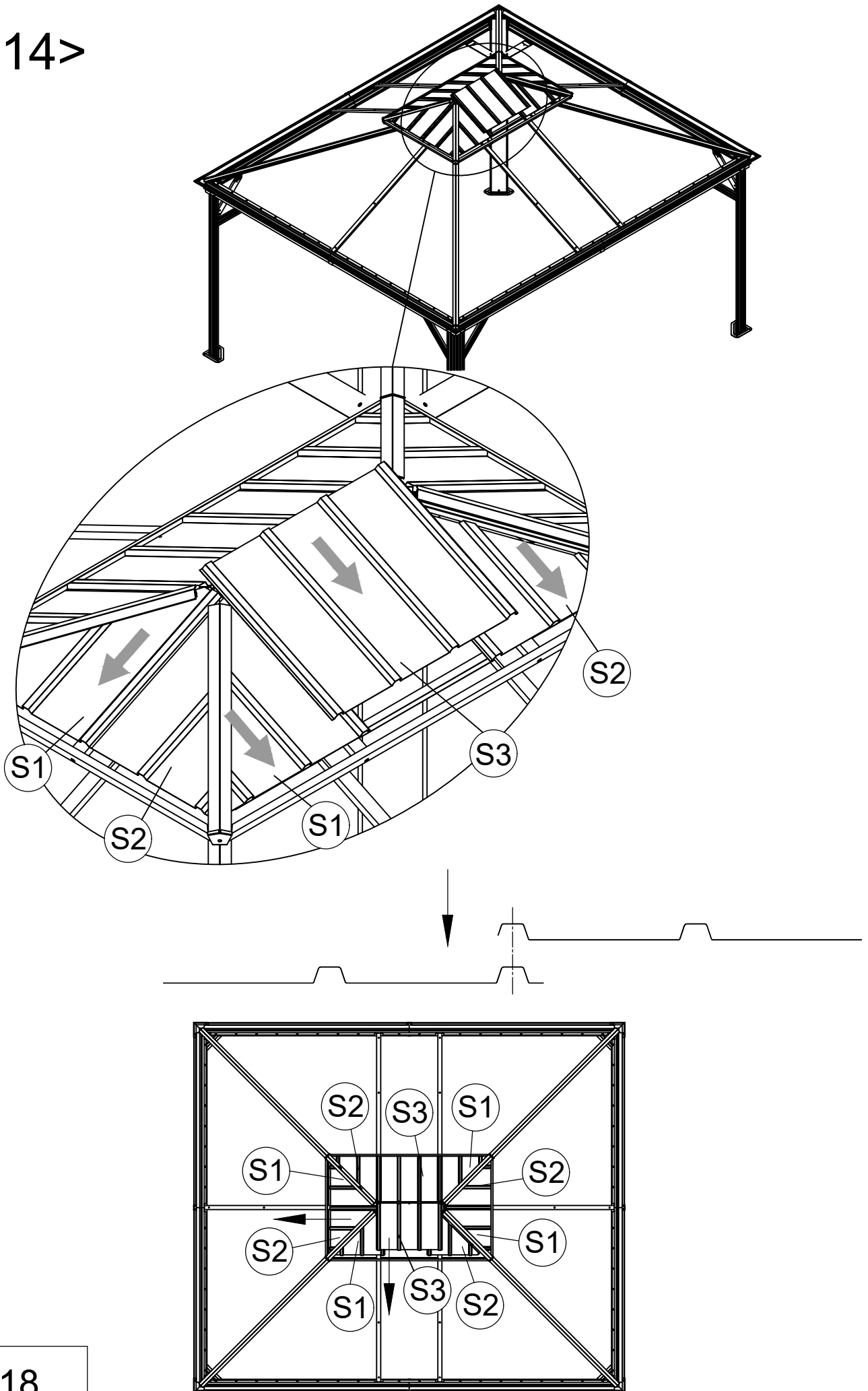
Z or Z1 or Z2

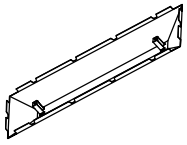


Z or Z1 or Z2



<14>





M2b 1x



5 2x



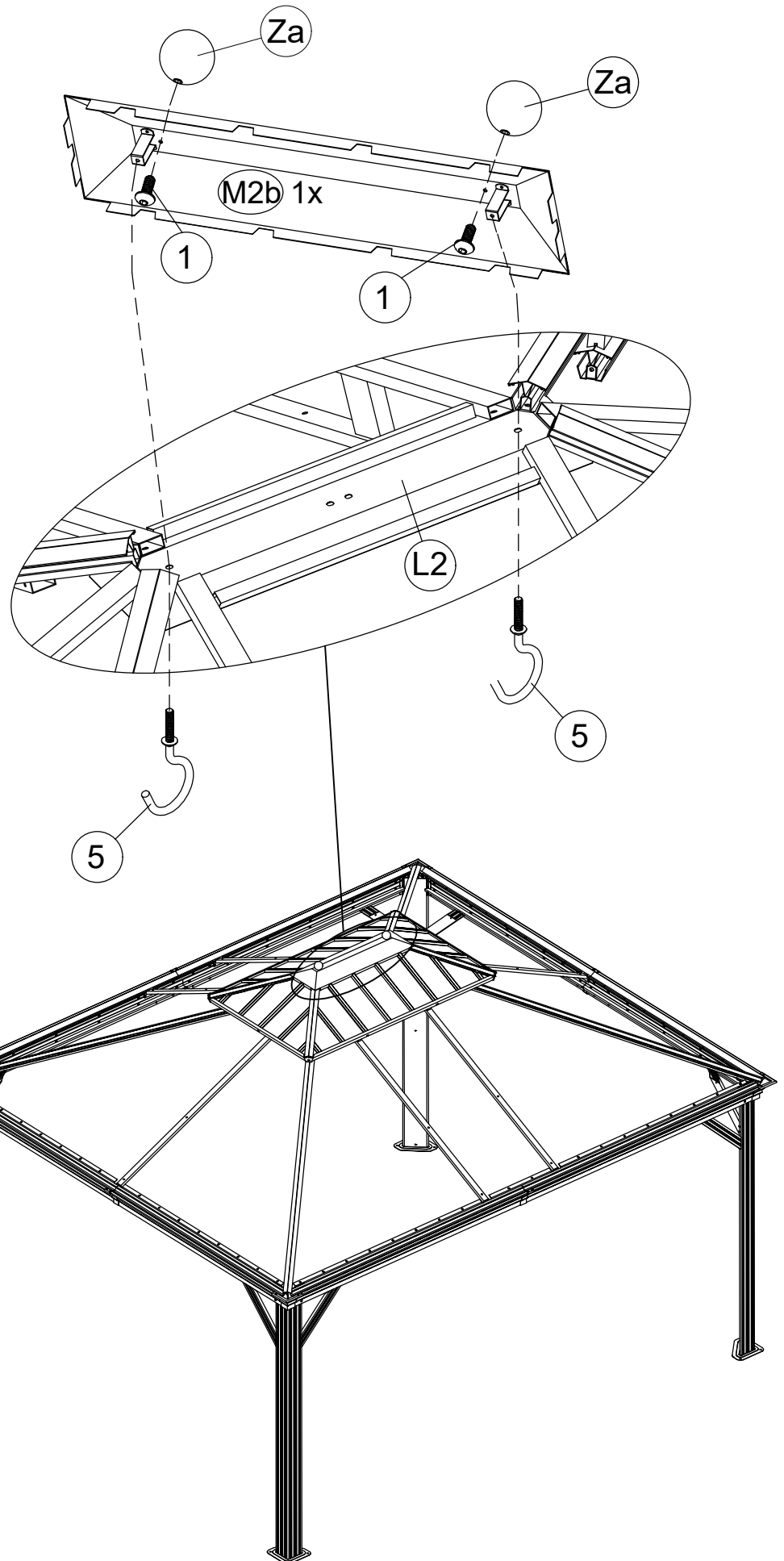
M6x15

1 2x



Za 2x

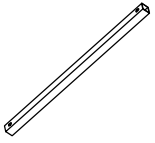
<15>



<16>



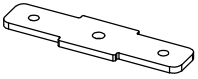
F1 8x



F2 2x



W 4x

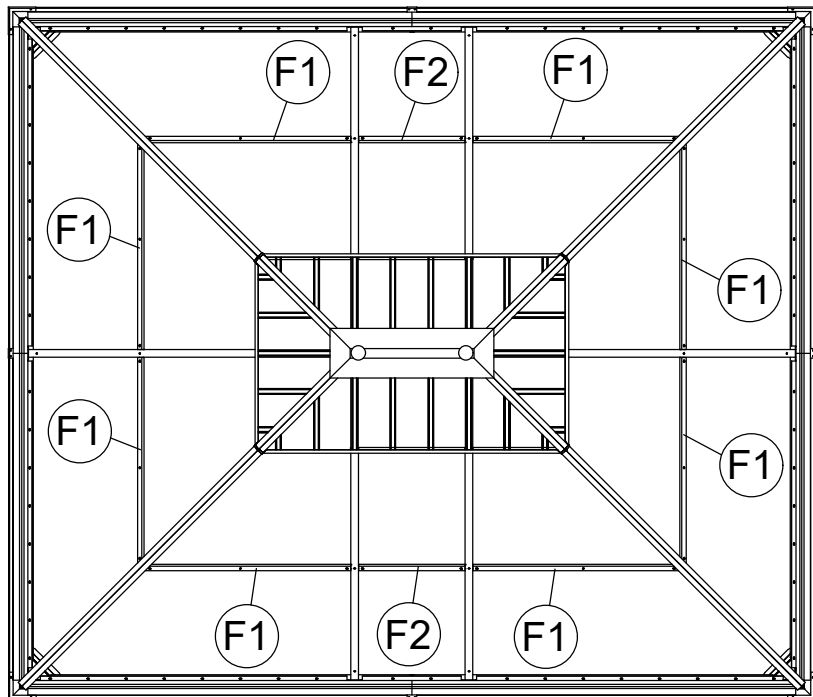
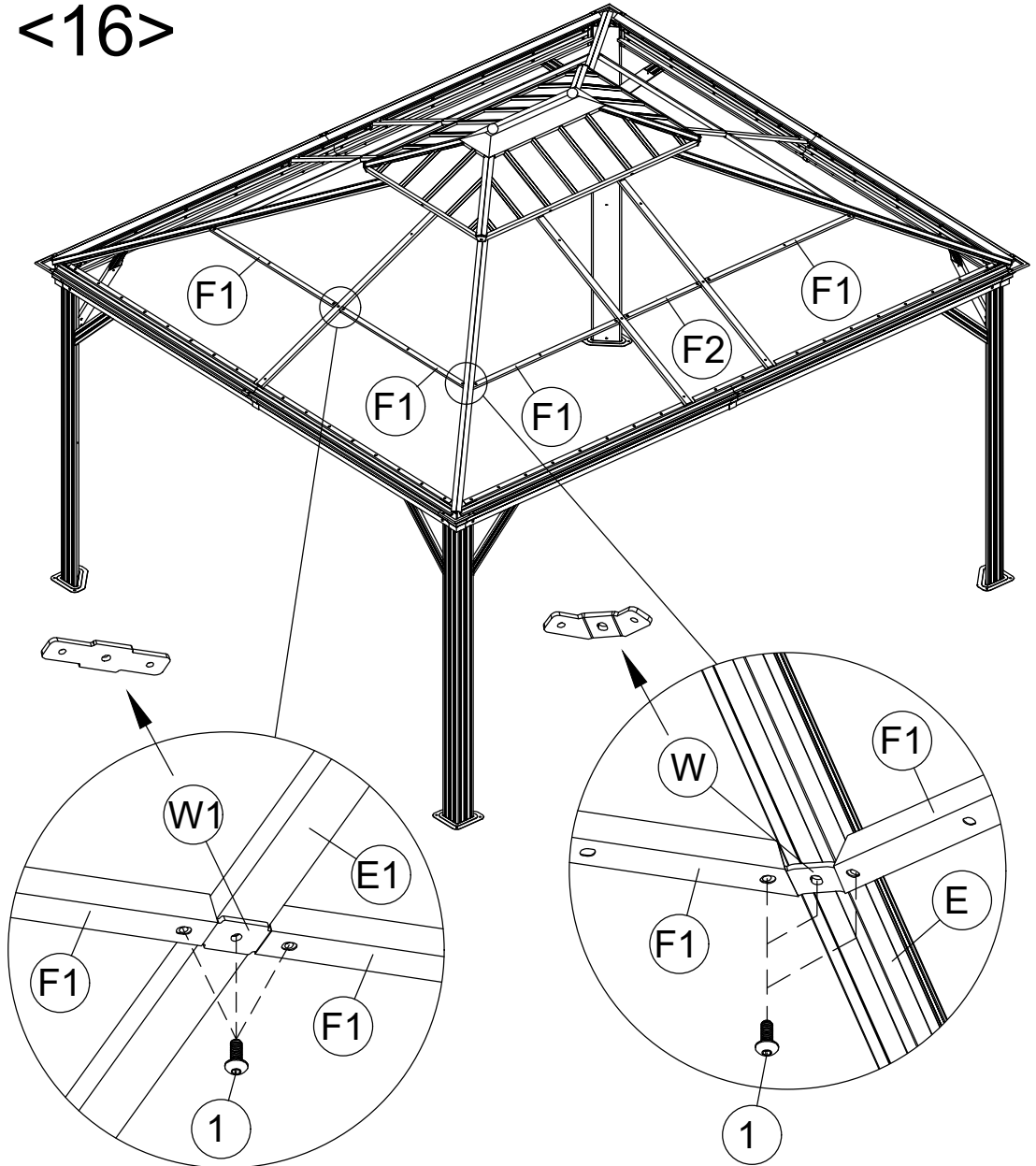


W1 6x

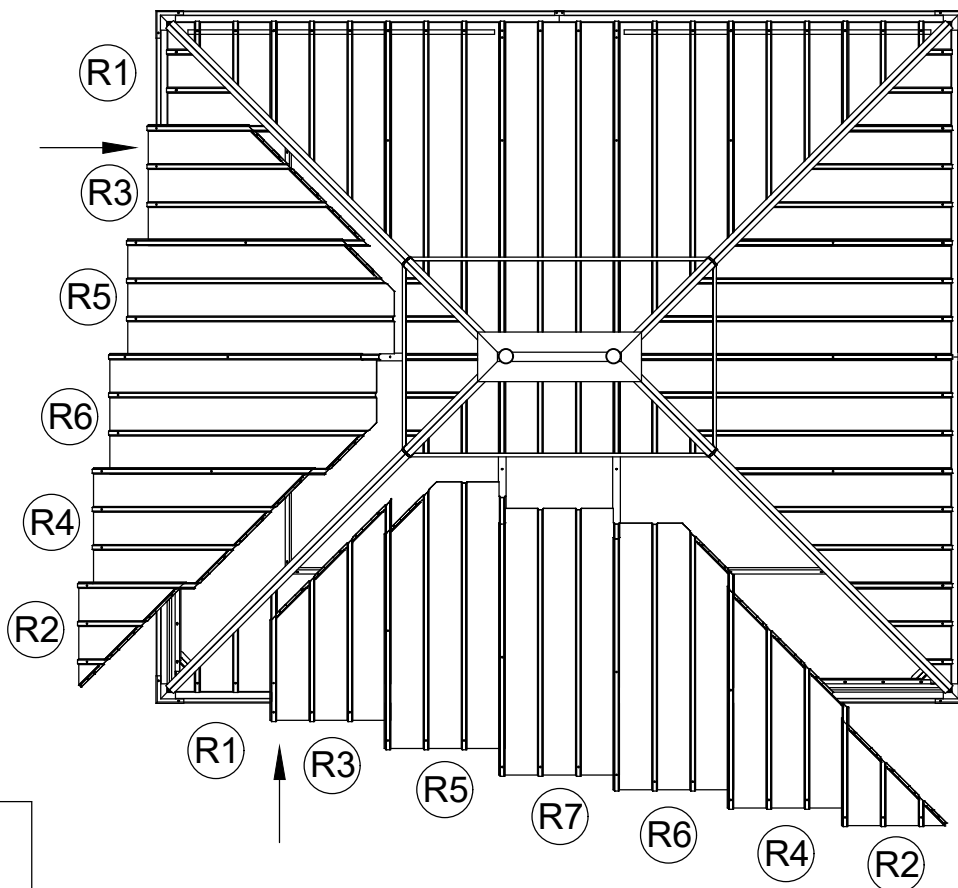
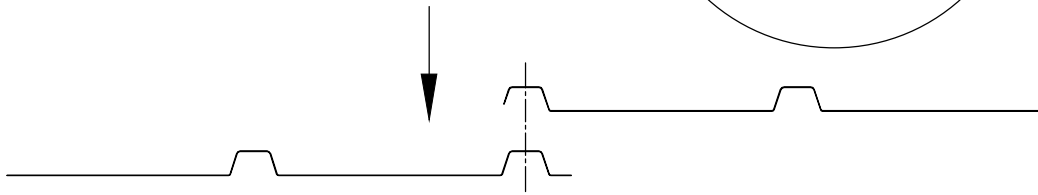
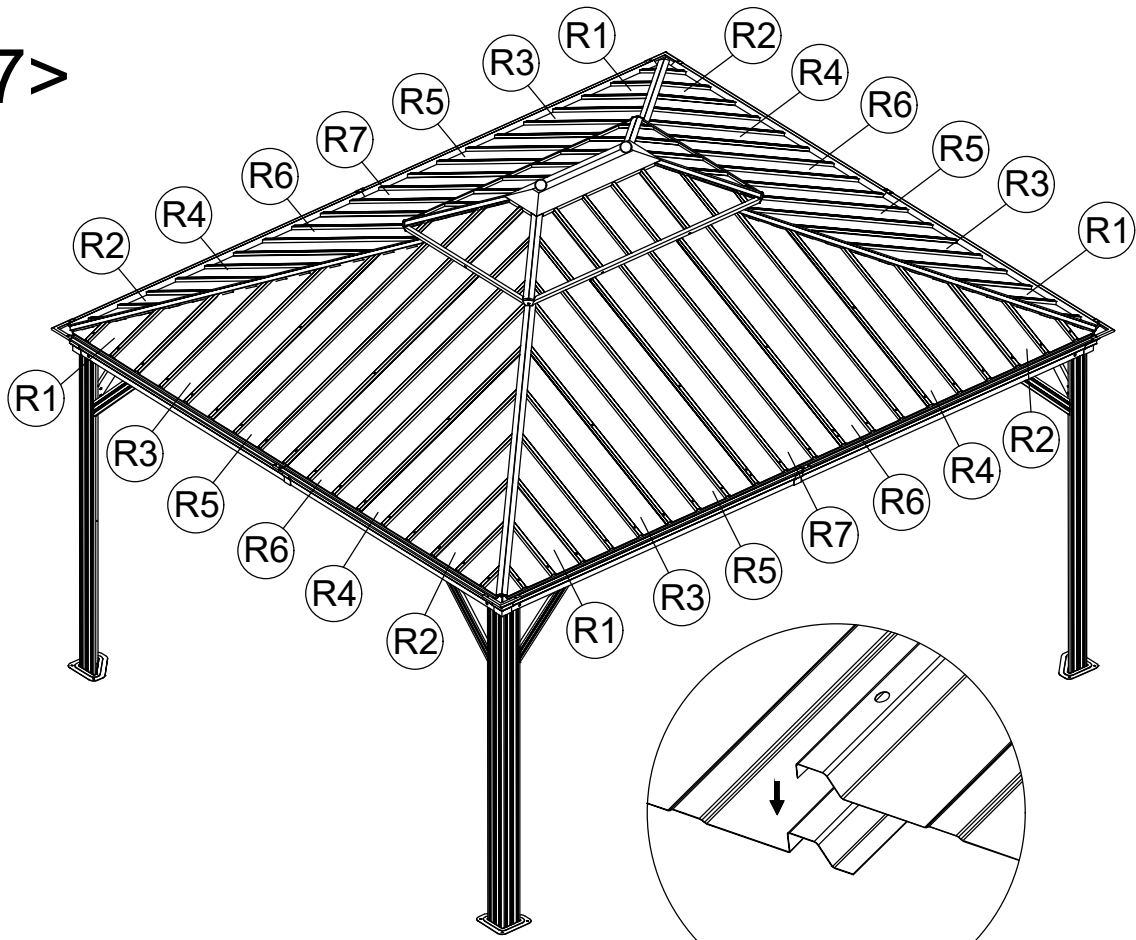


M6x15

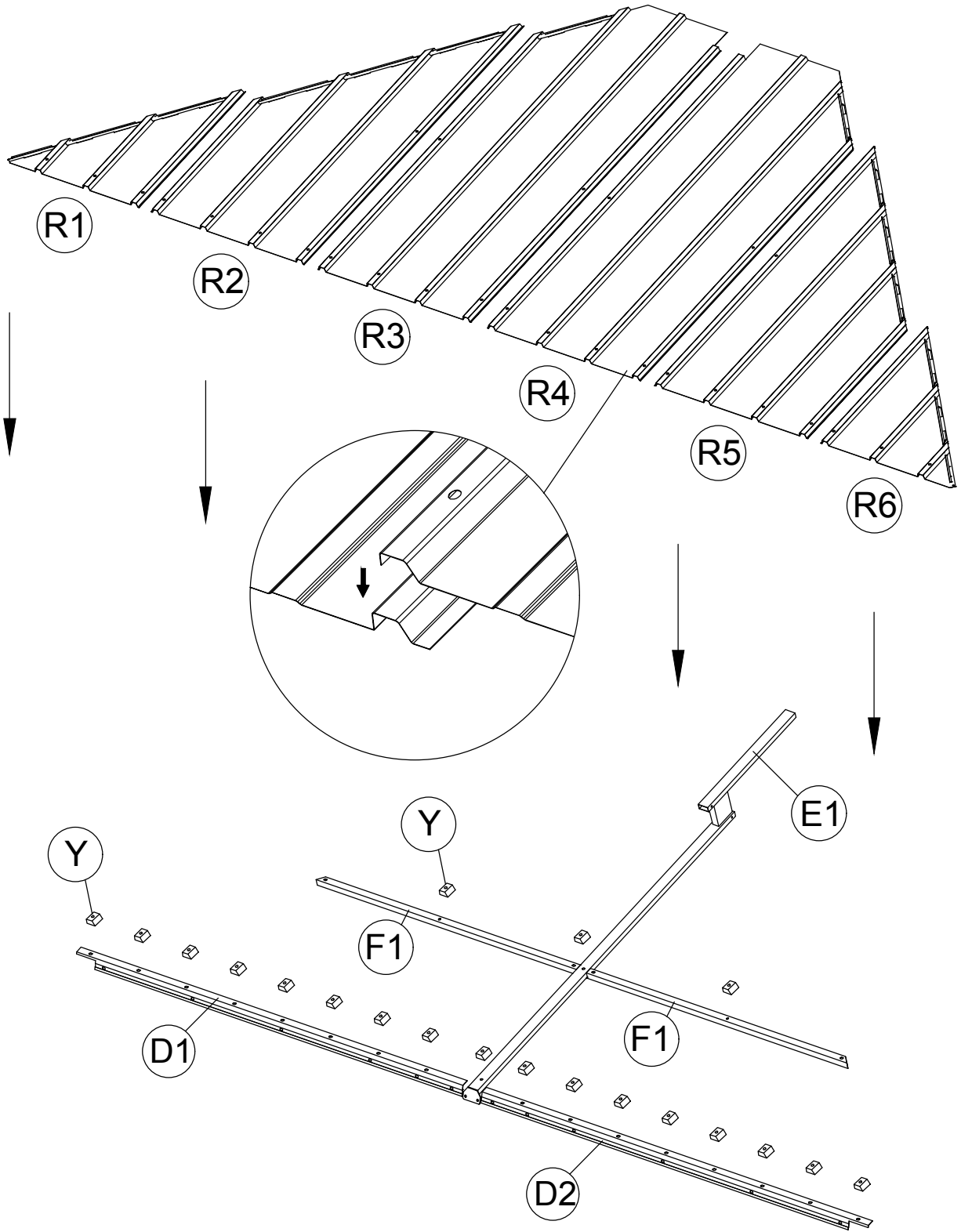
1 30x



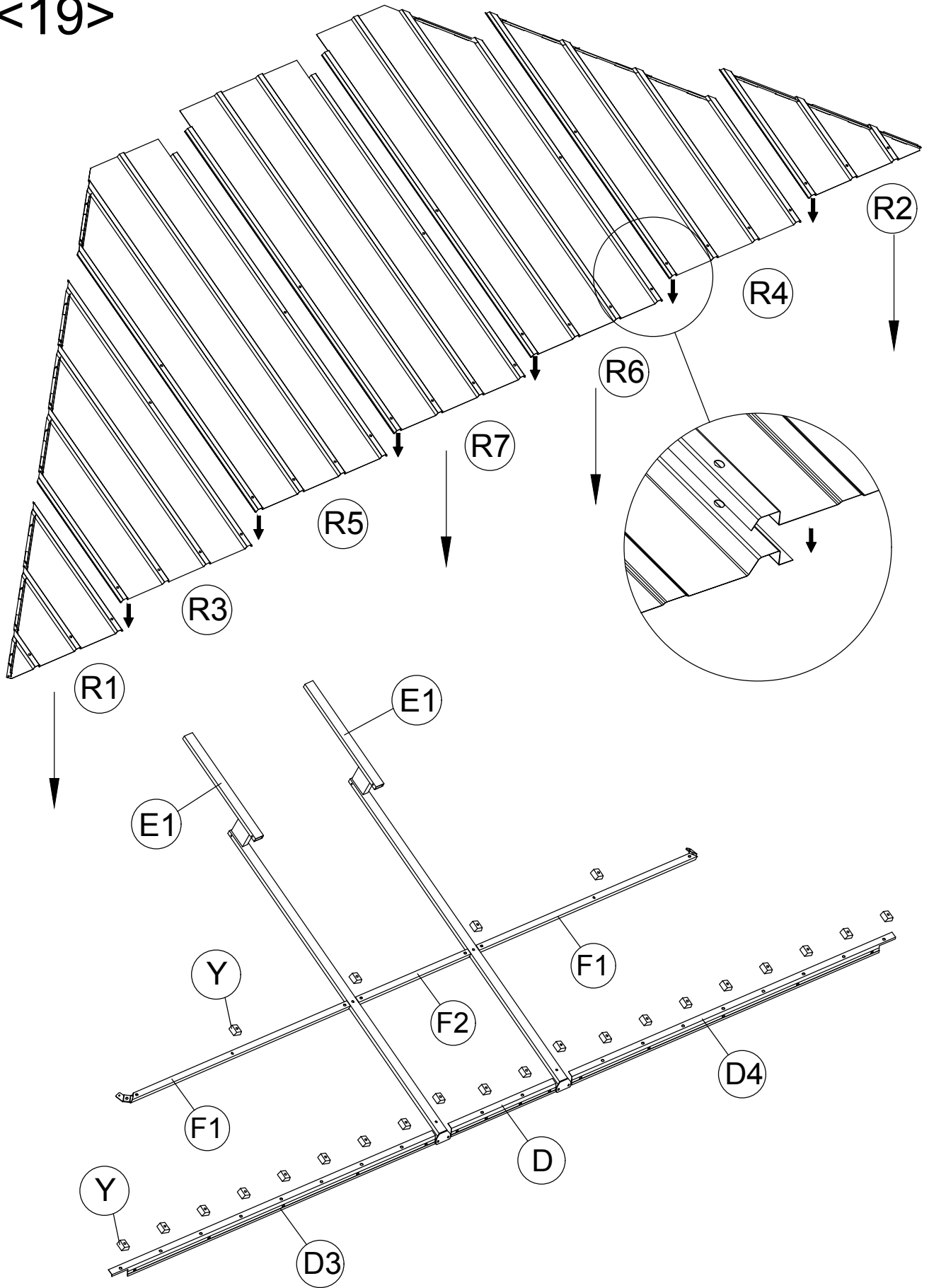
<17>



<18>



<19>





<20>

Y 88x



M6x23

2 68x



M6x25

3 6x



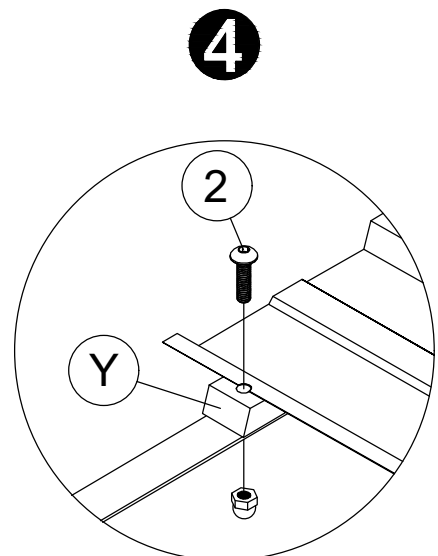
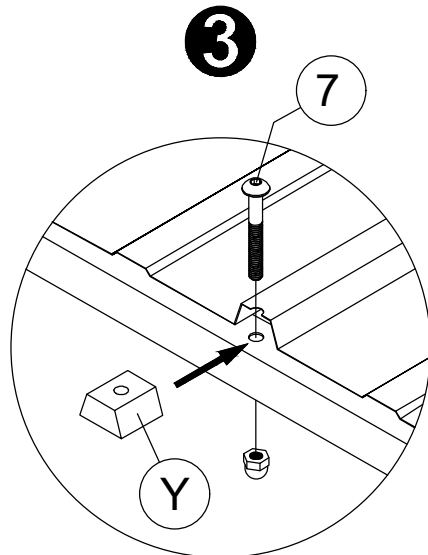
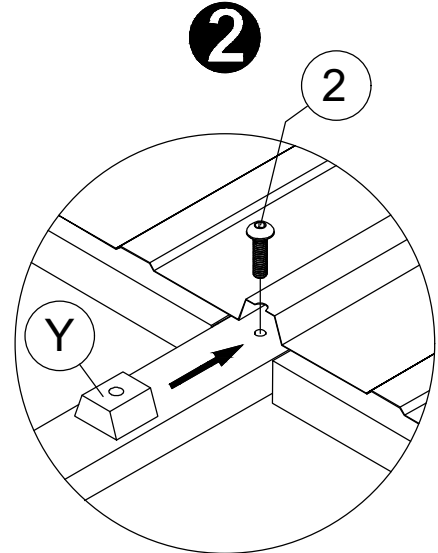
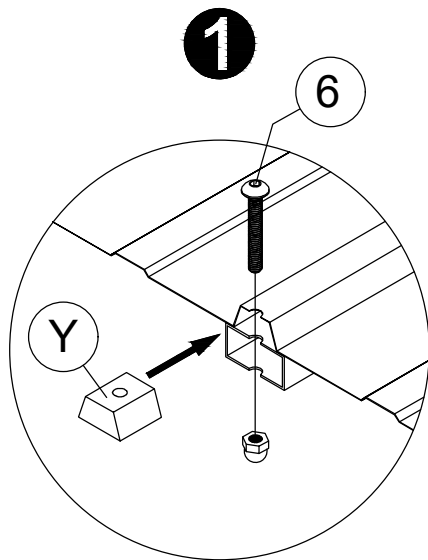
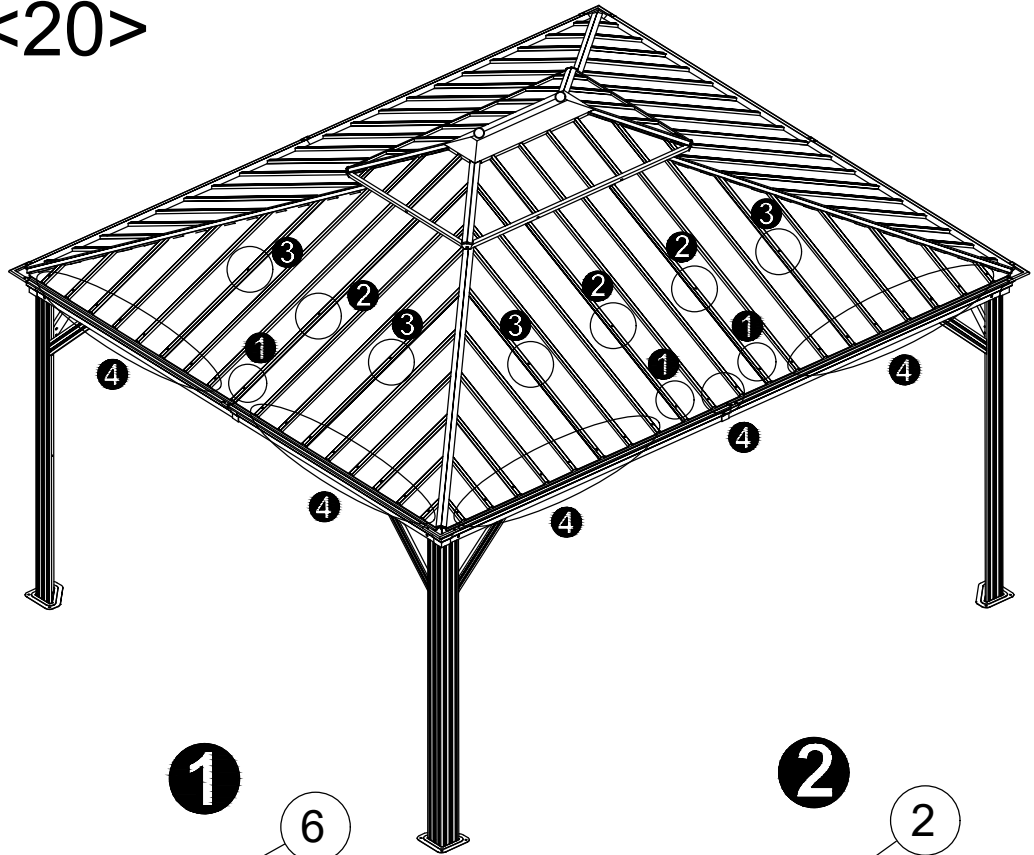
M6x42

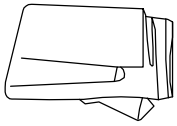
6 6x



M6x47

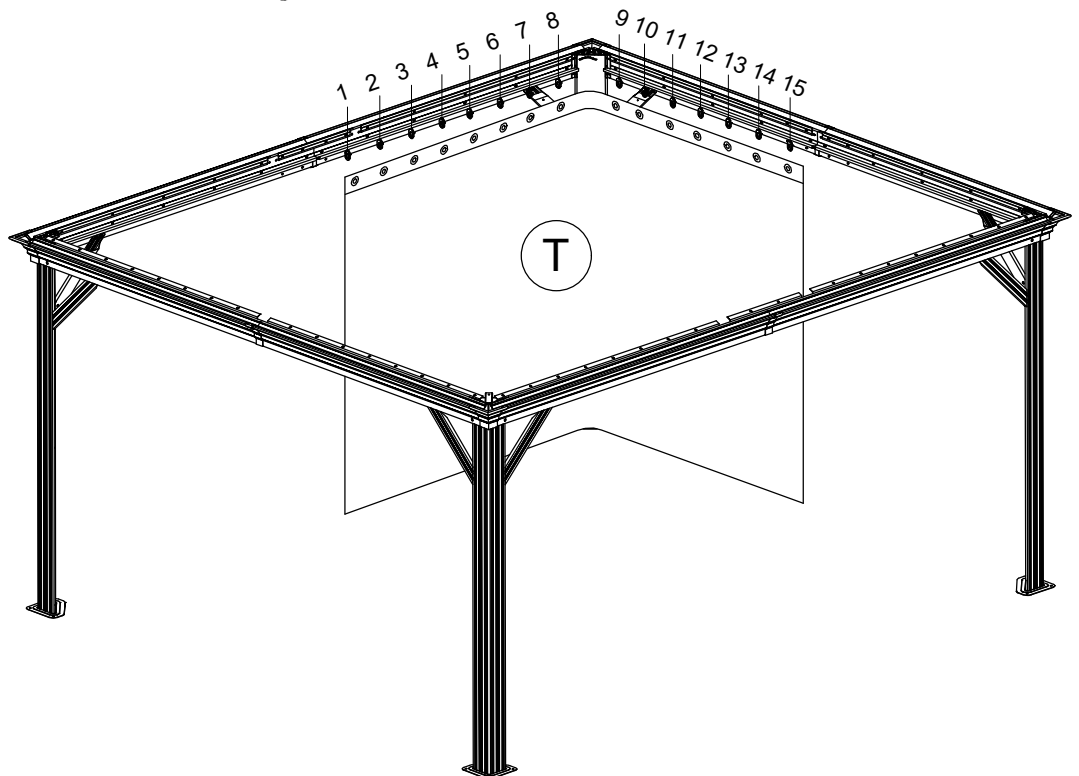
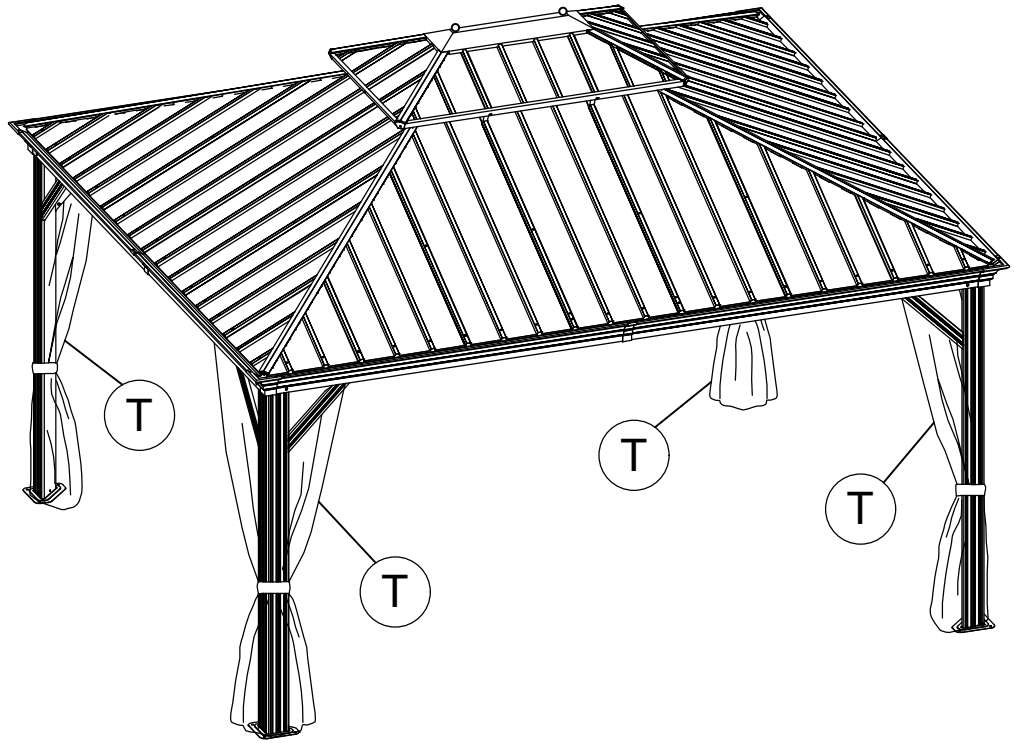
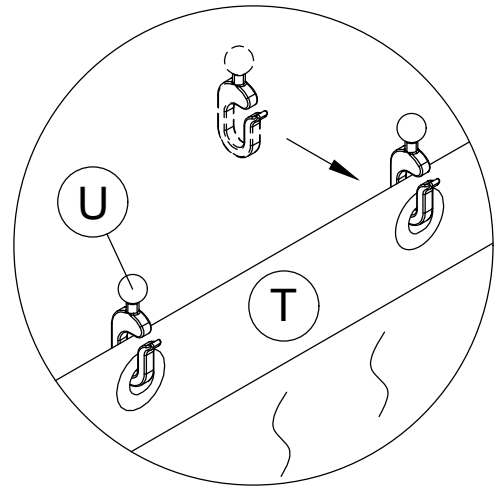
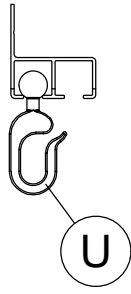
7 8x

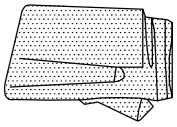




<21>

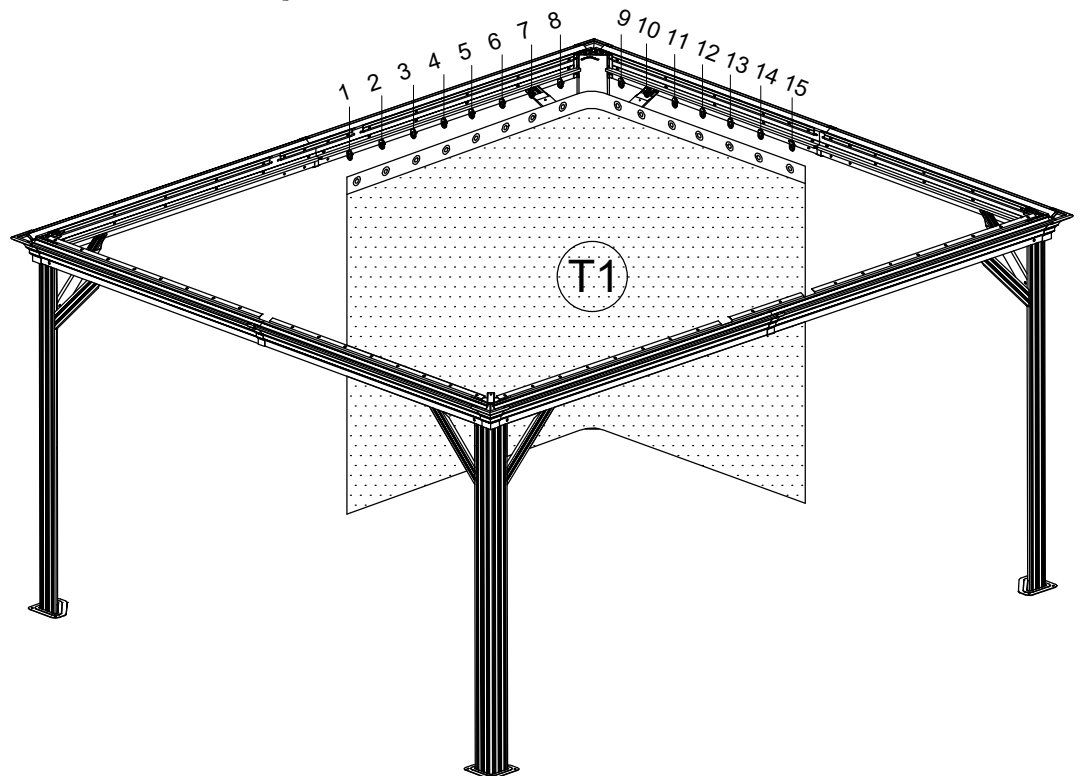
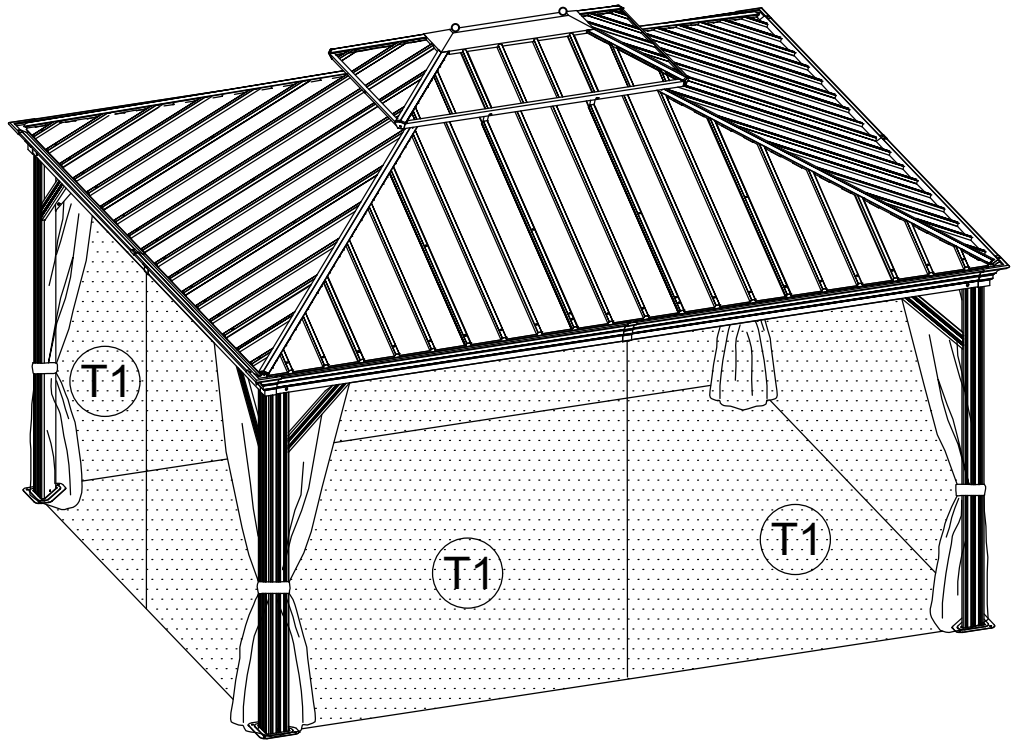
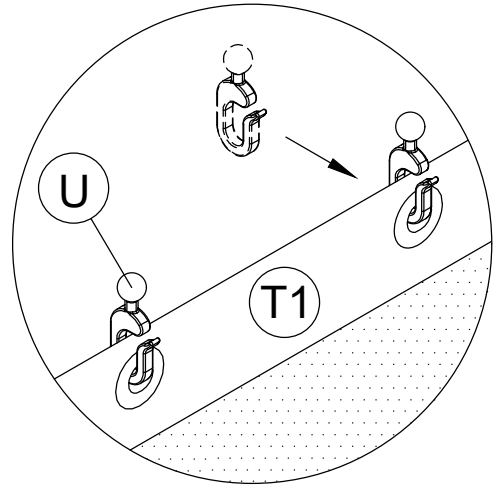
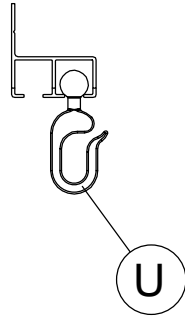
T 4x

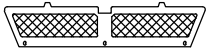




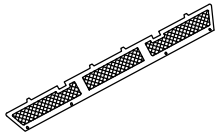
<22>

T1 4x





V1 2x



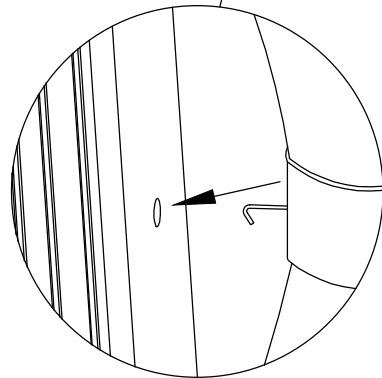
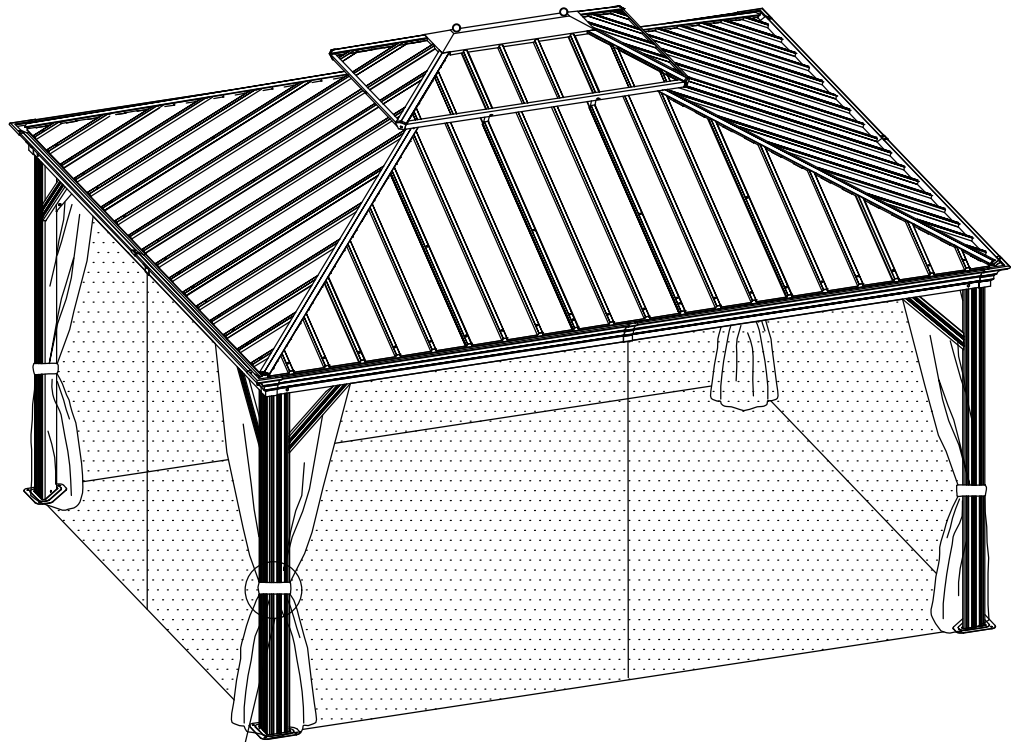
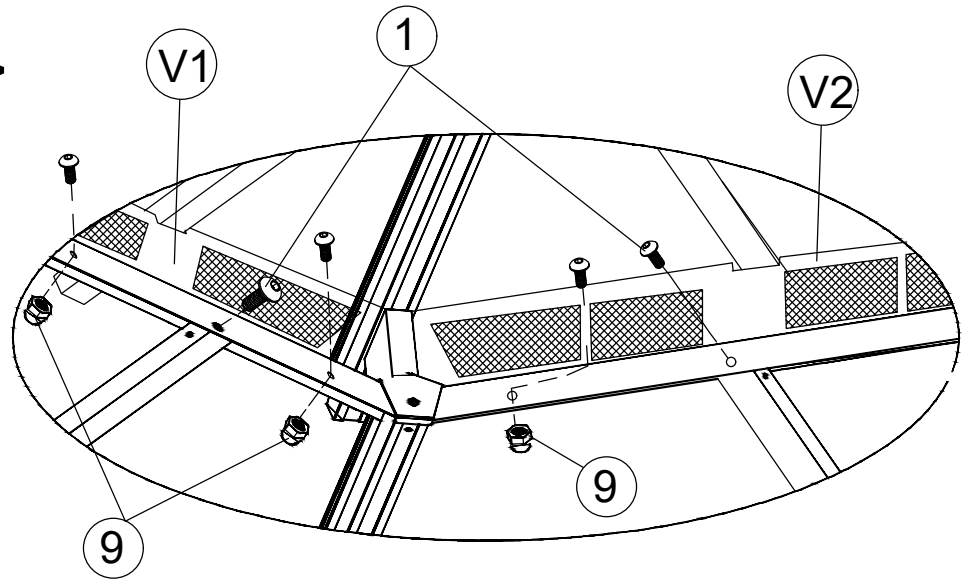
V2 2x



M6x10

9 8x

<23>



Carton-1/4		Carton-3/4		Carton-4/4	
Part	Qty	Part	Qty	Part	Qty
A	4	E	4	R1	4
C1	2	E5	4	R2	4
C2	2	E1	6	R3	4
C3	2	D	2	R4	4
C4	2	F2	2	R5	4
D1	2	G1	2	R6	4
D2	2	I1	2	R7	2
D3	2	L2	1	S1	4
D4	2	M2b	1	S2	4
F1	8	K1	4	S3	2
G2	2	J	4		
I2	2	W	4		
H	4	W1	6		
H1	4	V	4		
Z	64	Y	88		
Z1	8	U	120		
Z2	8	N	8		
P	4	T	4		
		T1	4		
		Za	2		
Carton-2/4		1.2.3.4.5.6.7.8. 9.10.11.12.13.14	1		
Part	Qty				
B1	2				
B2	2				
B3	2				
B4	2				
K	4				
V1	2				
V2	2				