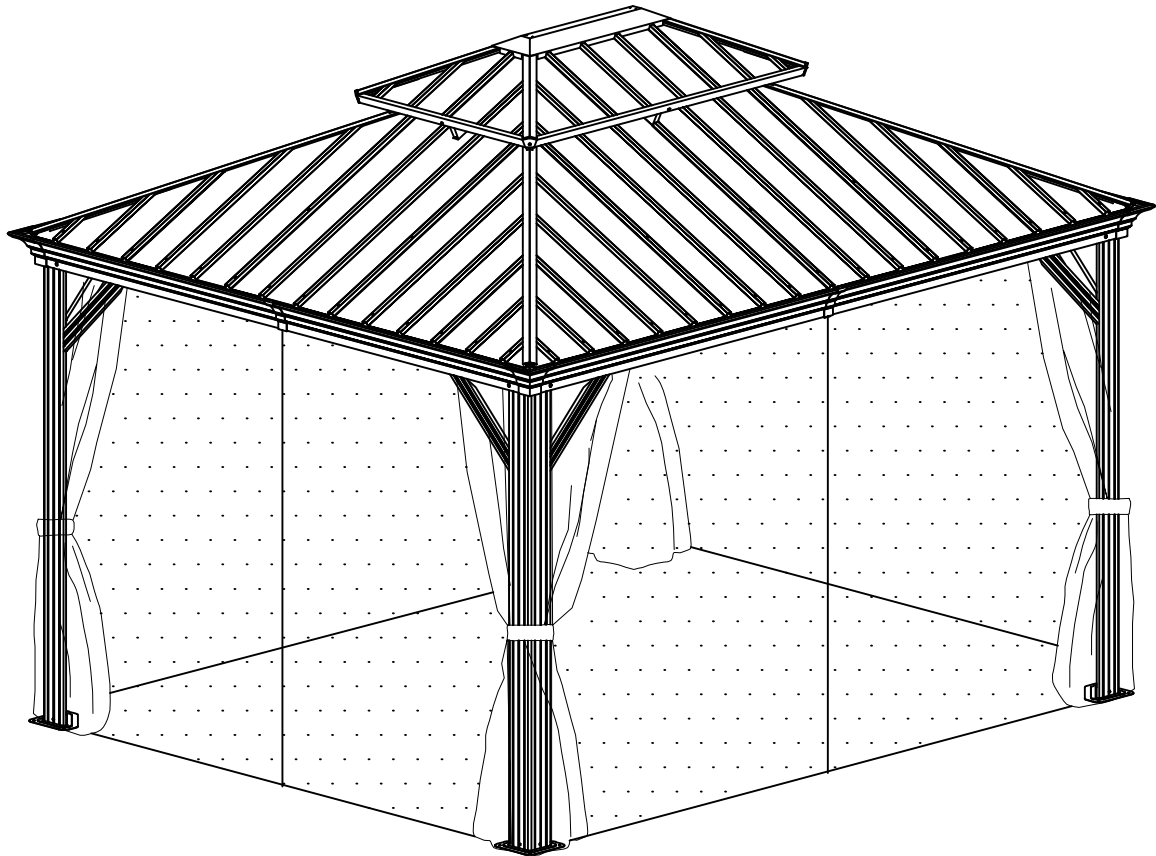


10 x 12FT

▣ ▣ ▣ ▣ ▣ ▣ ▣ ▣ XWG-213MS-1 ▣ ▣ ▣ ▣ ▣ ▣ ▣ ▣





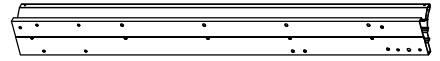
(A) 4x



(B1) 2x



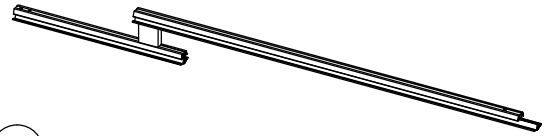
(B2) 2x



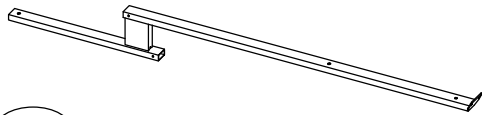
(B9) 2x



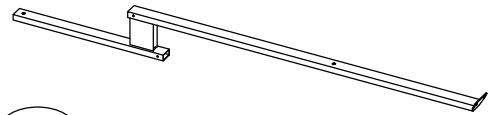
(B10) 2x



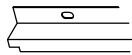
(E9) 4x



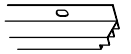
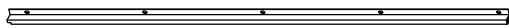
(E10) 2x



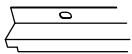
(E11) 2x



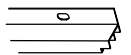
(C1) 2x



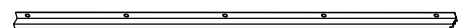
(C2) 2x



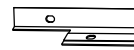
(C9) 2x



(C10) 2x



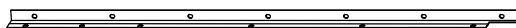
(D1) 2x



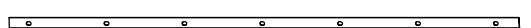
(D2) 2x

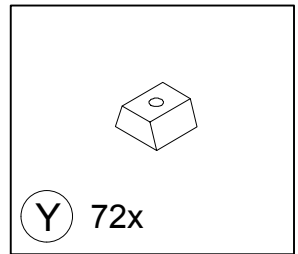
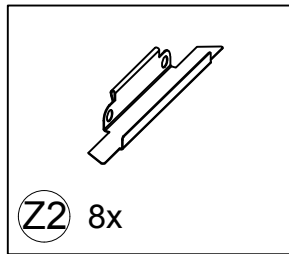
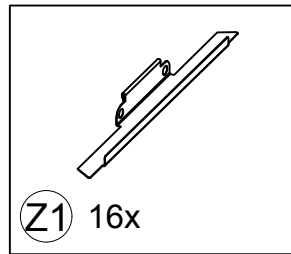
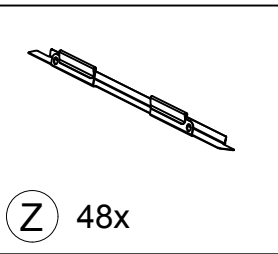
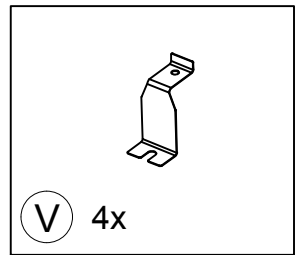
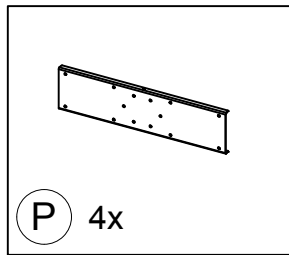
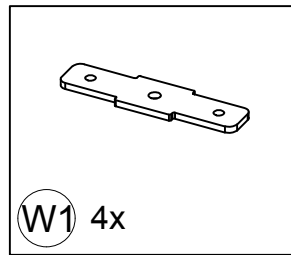
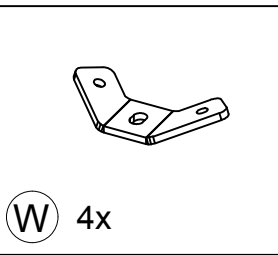
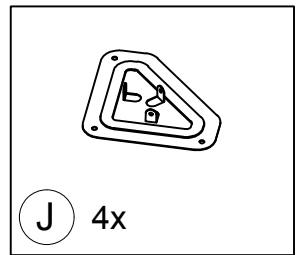
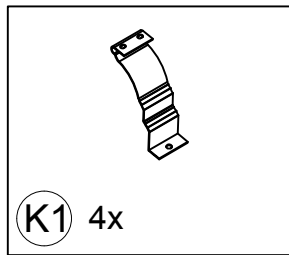
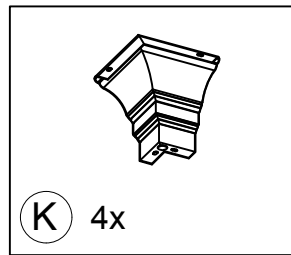
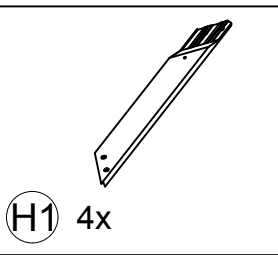
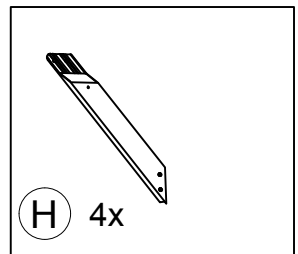
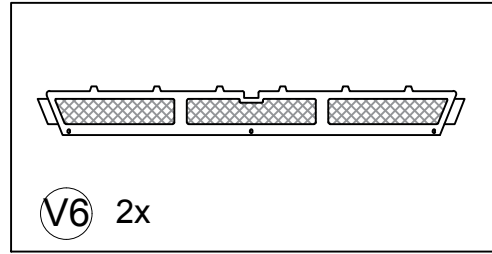
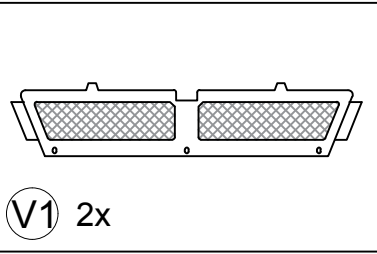
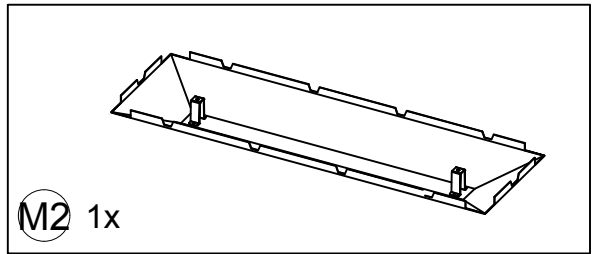
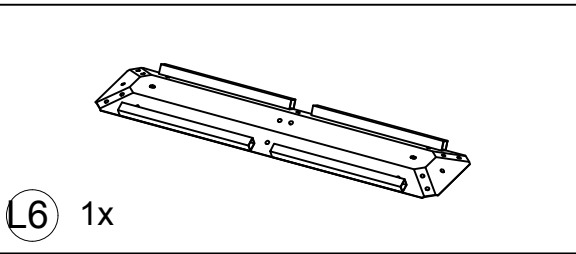
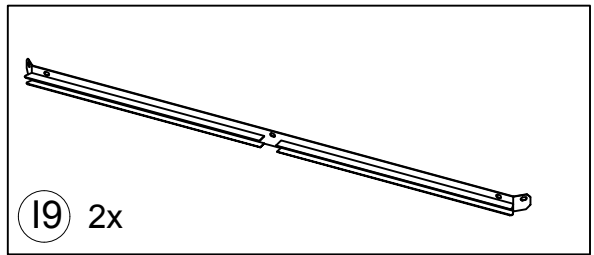
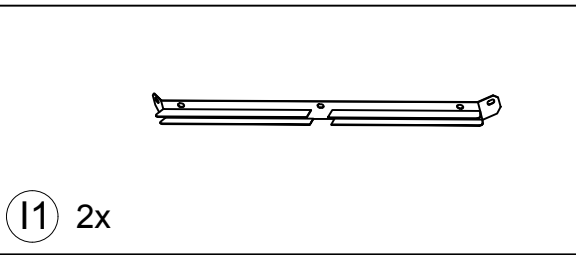
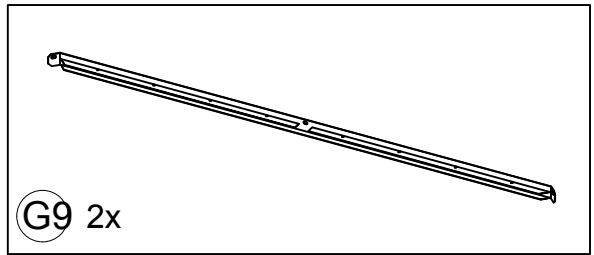
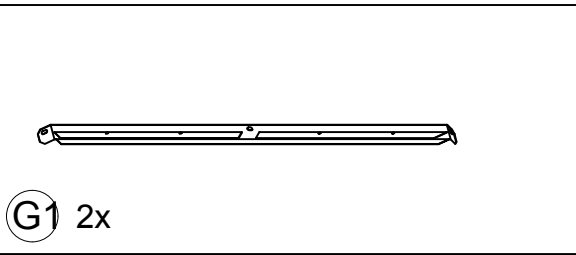
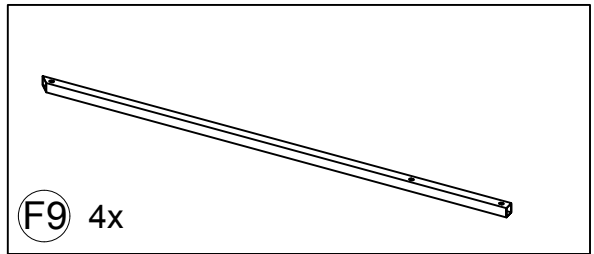
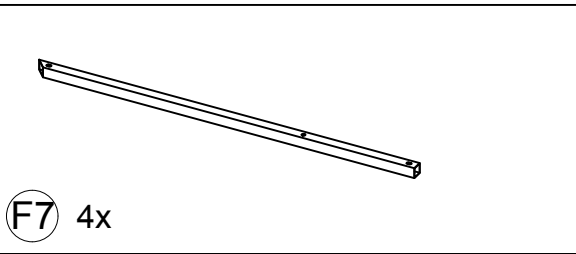


(D9) 2x



(D10) 2x



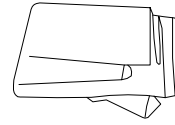




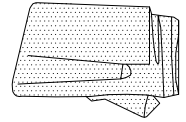
U 104x



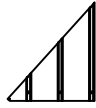
N 8x



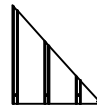
T 4x



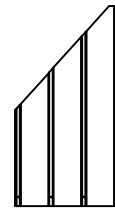
T1 4x



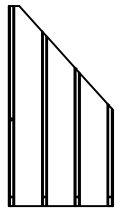
R1 4x



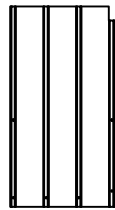
R2 4x



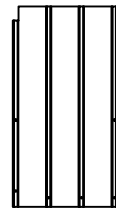
Q3 4x



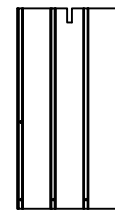
Q4 4x



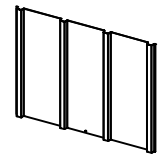
Q5 2x



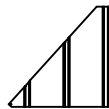
Q6 2x



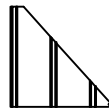
Q7 2x



S3 2x



S1 4x



S2 4x



M6x15

1 232x



M6x23

2 60x



M6x25

3 2x



ST 4.8x12

4 24x



5 2x



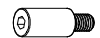
M6x42

6 2x



M6x47

7 8x



8 16x

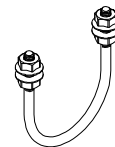


M6x10

9 8x



10 12x



11 1x



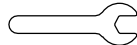
12 2x

4mm



6mm

13 1x



14 1x

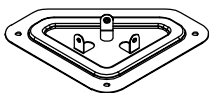


A 4x



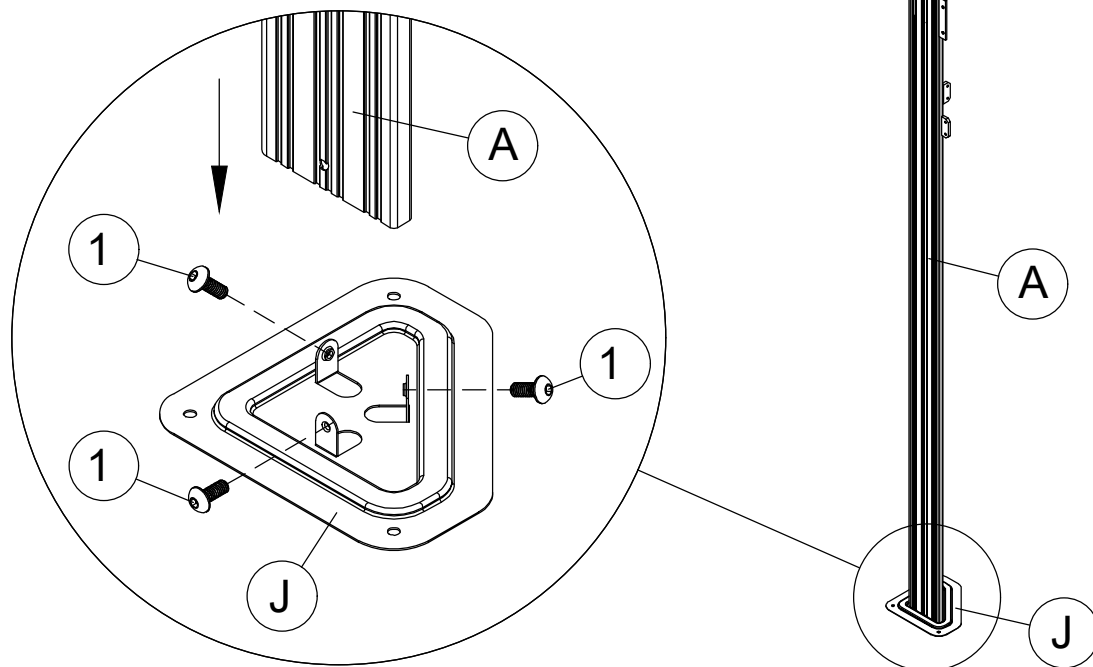
M6x15

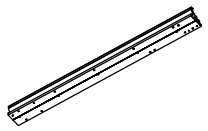
1 12x



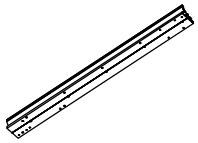
J 4x

<1>





B1 2x



B2 2x



C1 2x



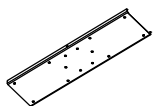
C2 2x



D1 2x



D2 2x



P 2x

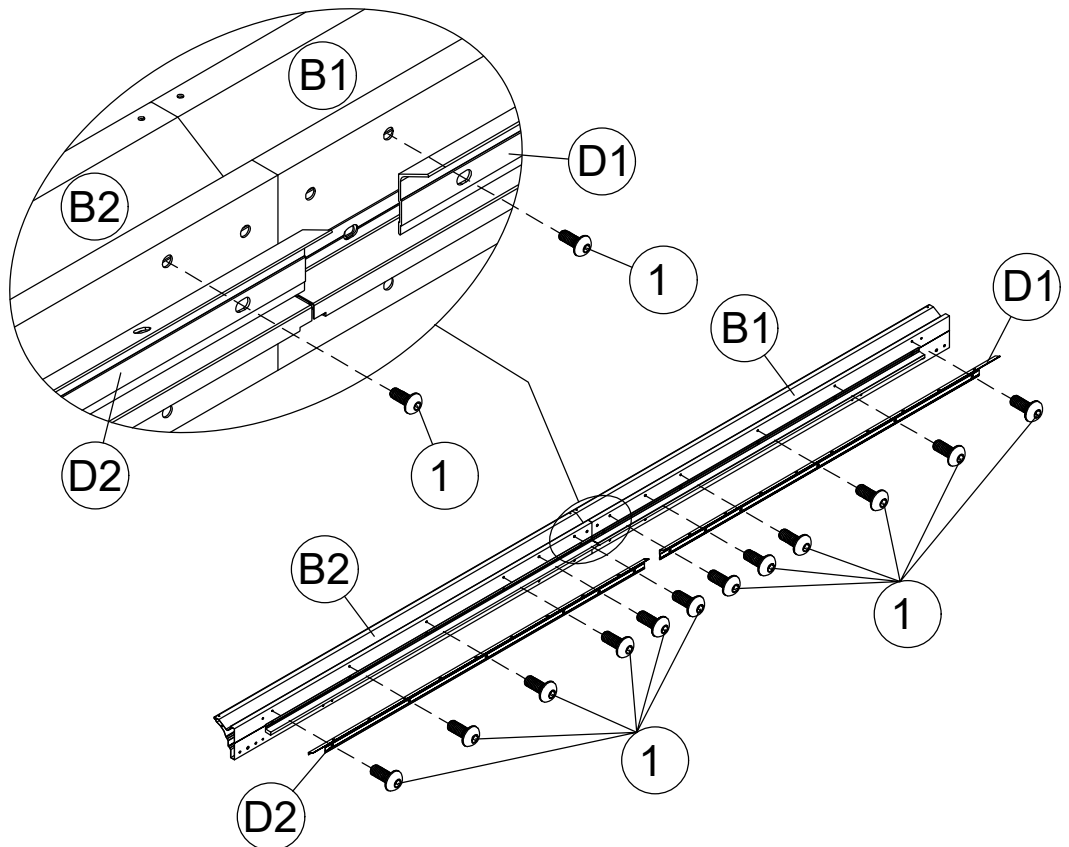
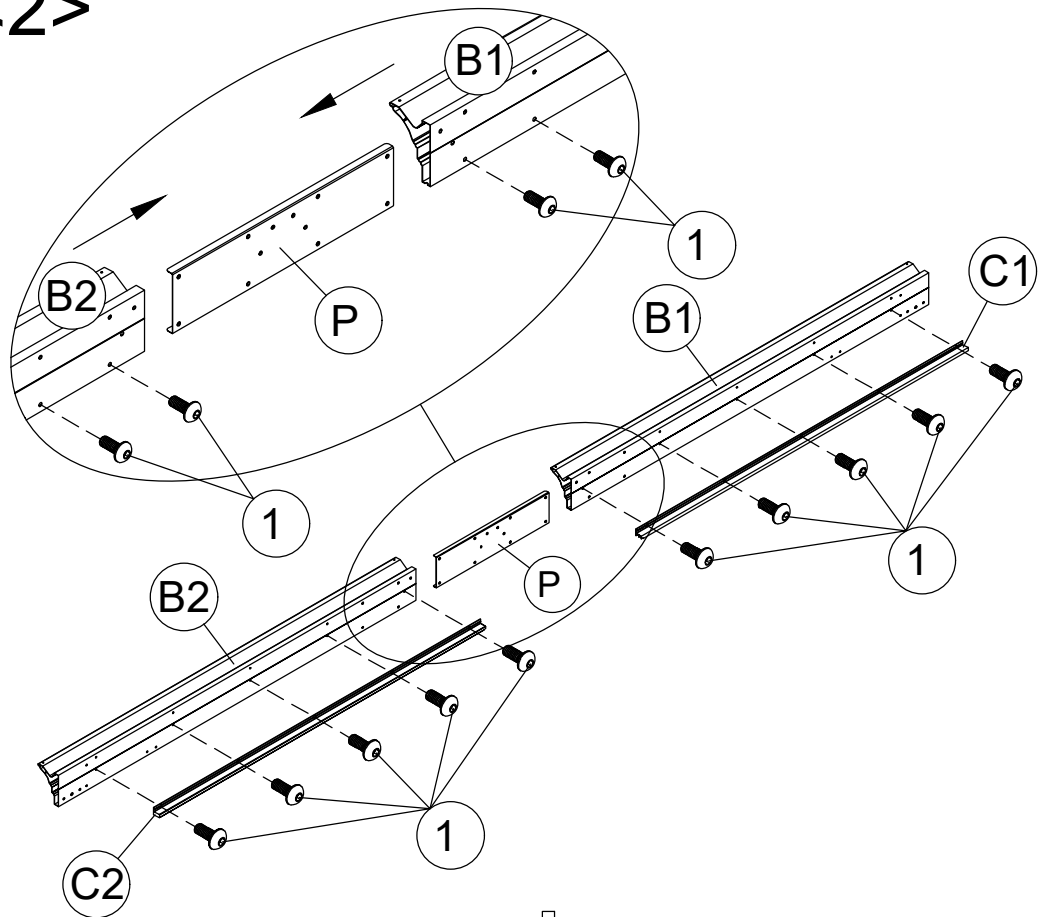


M6x15

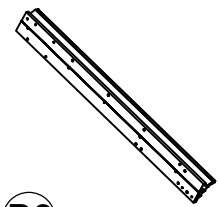
1 52x

6

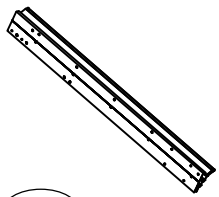
<2>



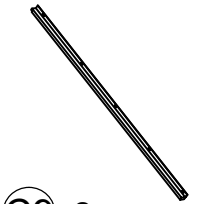
<3>



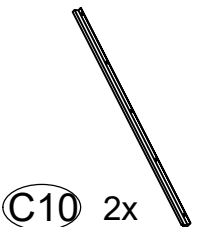
B9 2x



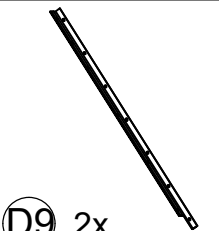
B10 2x



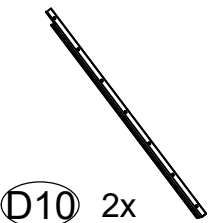
C9 2x



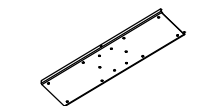
C10 2x



D9 2x



D10 2x



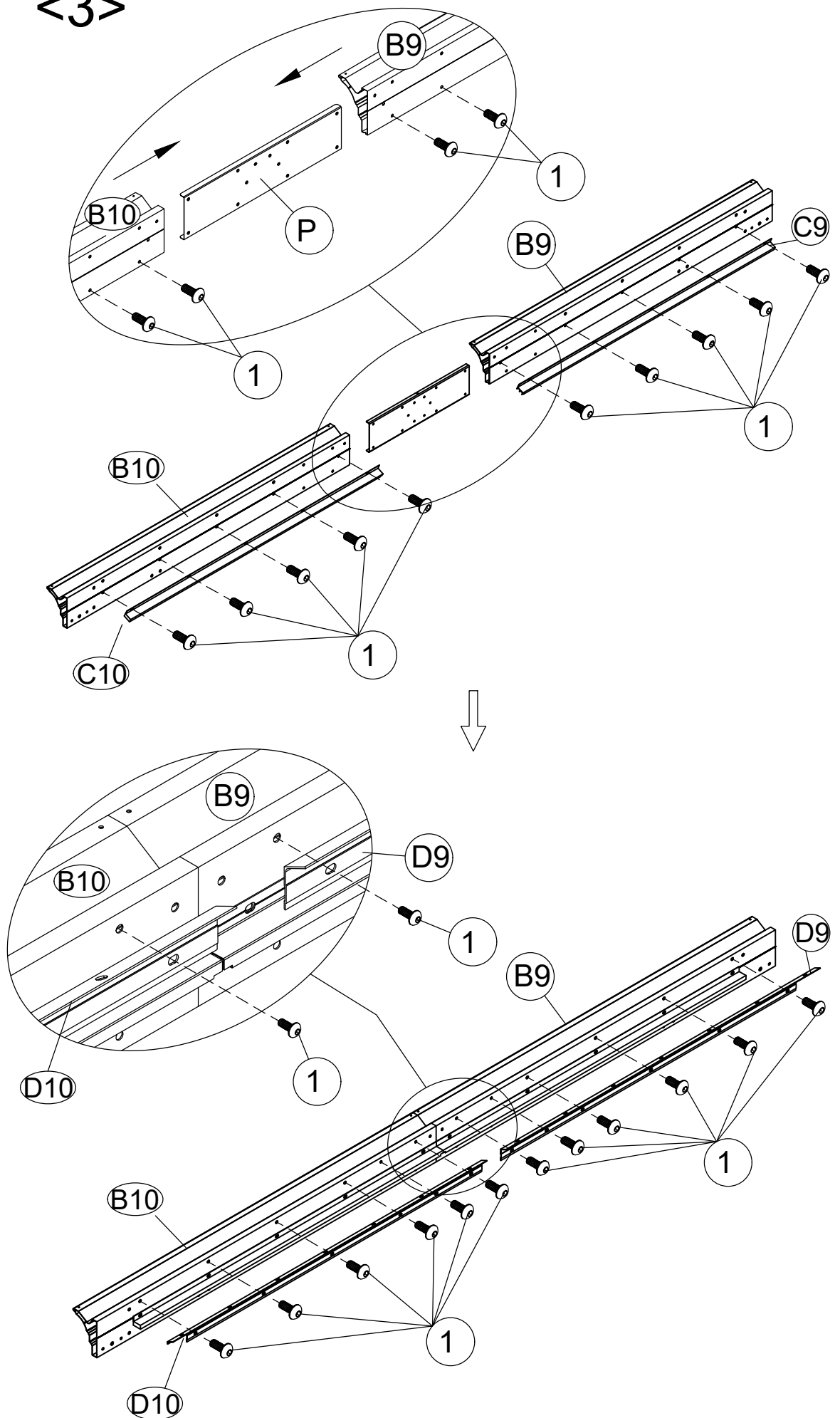
P 2x



M6x15

1 52x

7





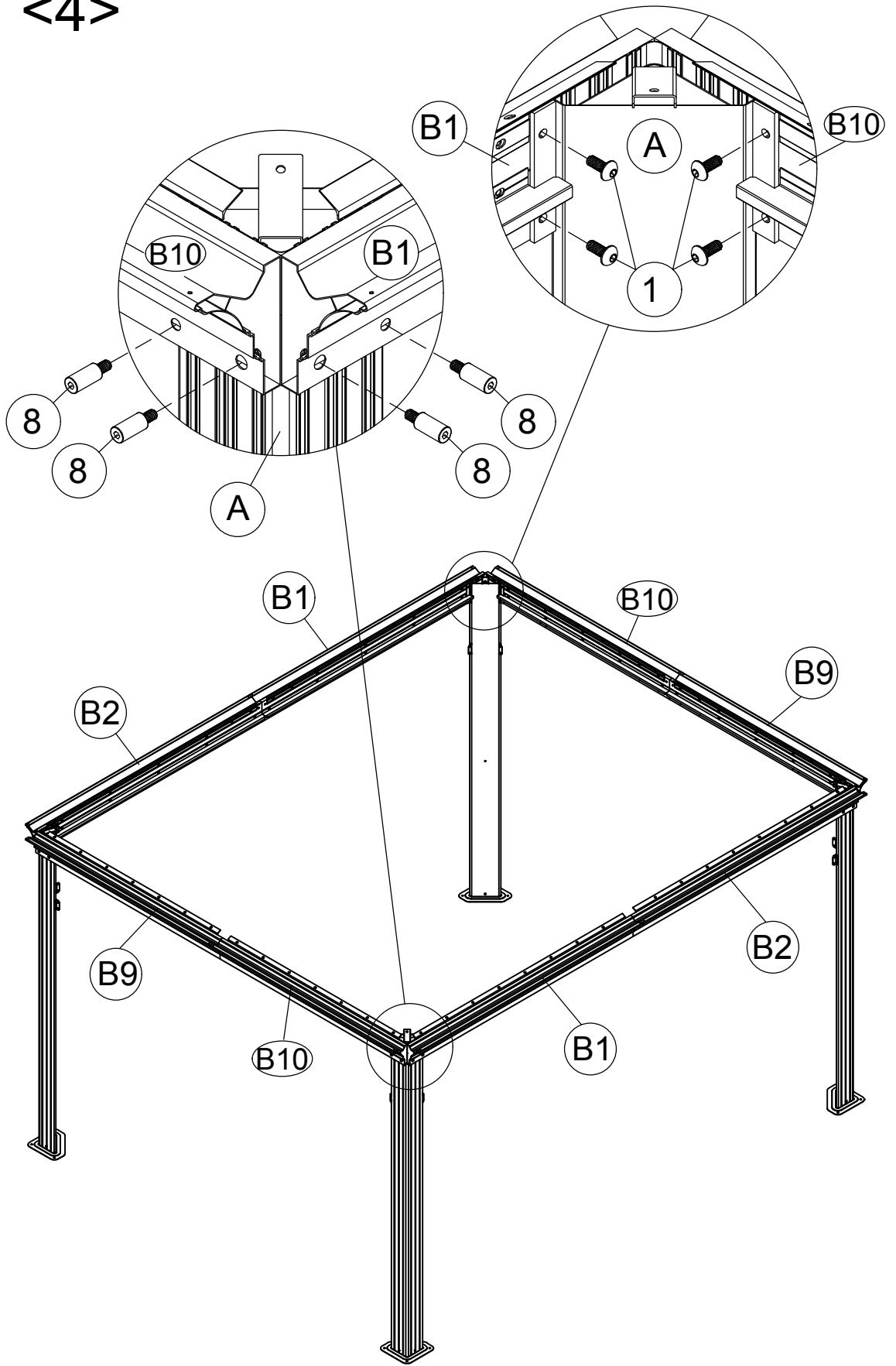
M6x15

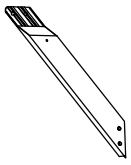
1 16x



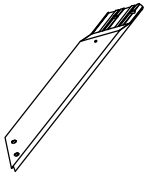
8 16x

<4>





(H) 4x



(H1) 4x



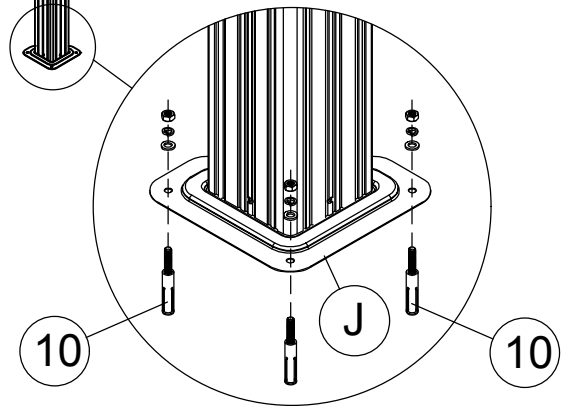
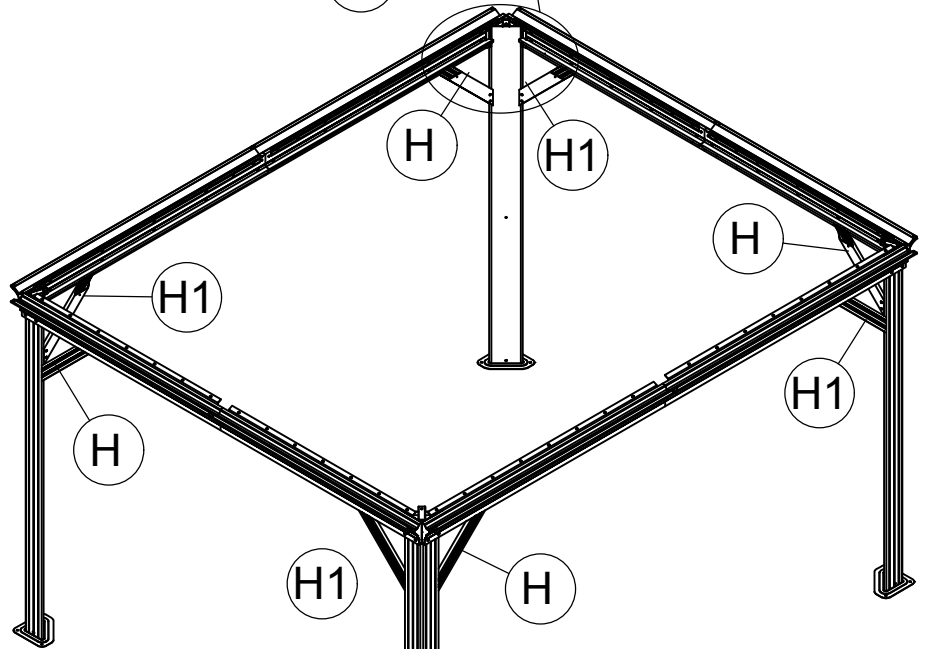
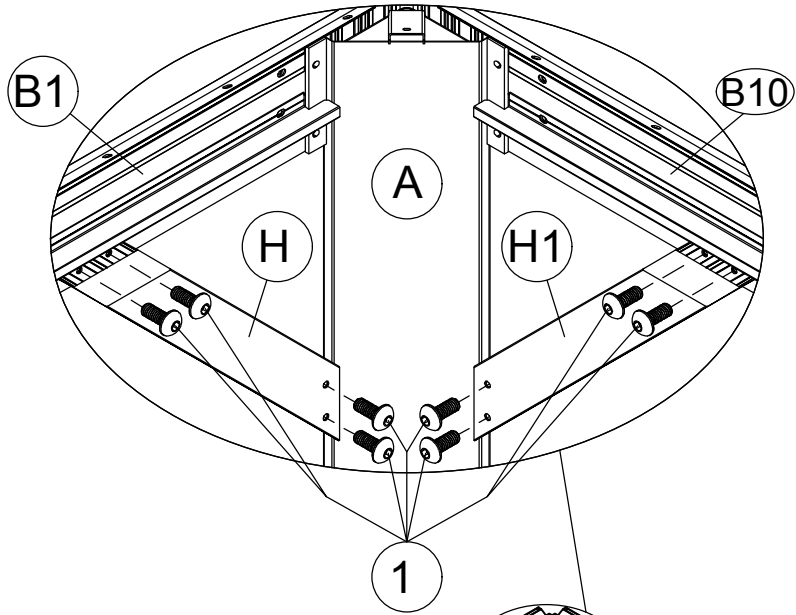
M6x15

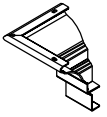
(1) 32x



(10) 12x

<5>





(K) 4x



(K1) 4x



(U) 104x



(V) 4x

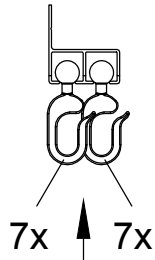


(1) 4x M6x15

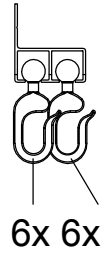


(4) 24x ST4.8x12

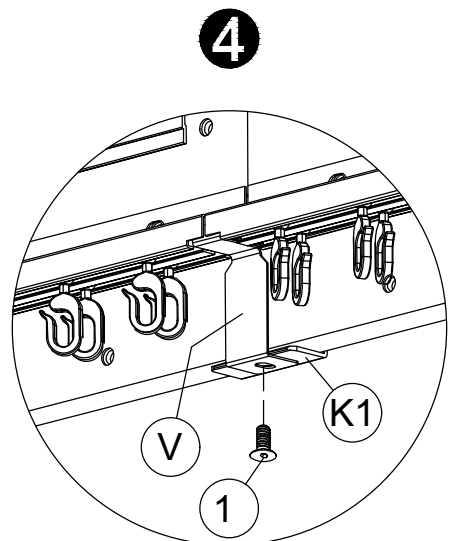
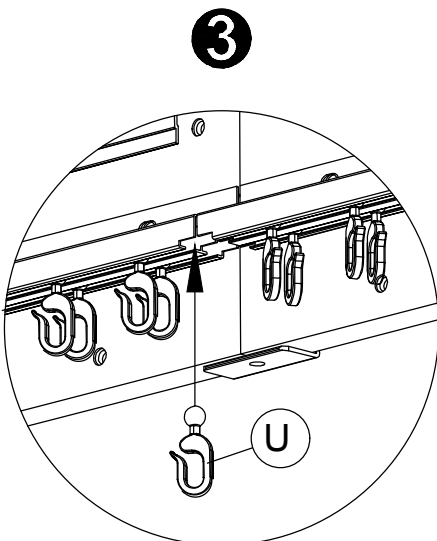
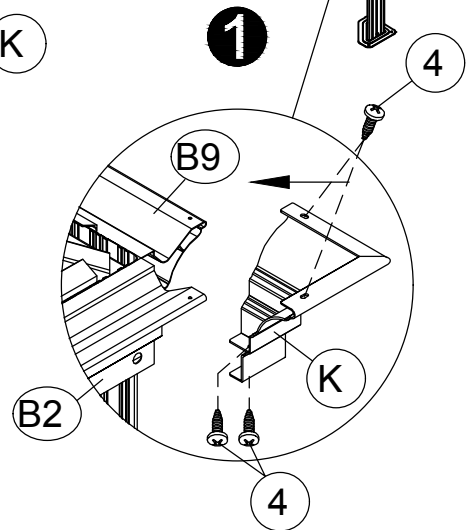
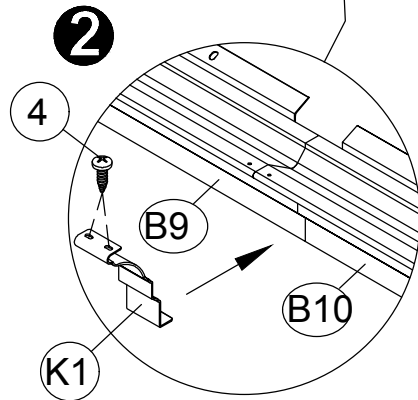
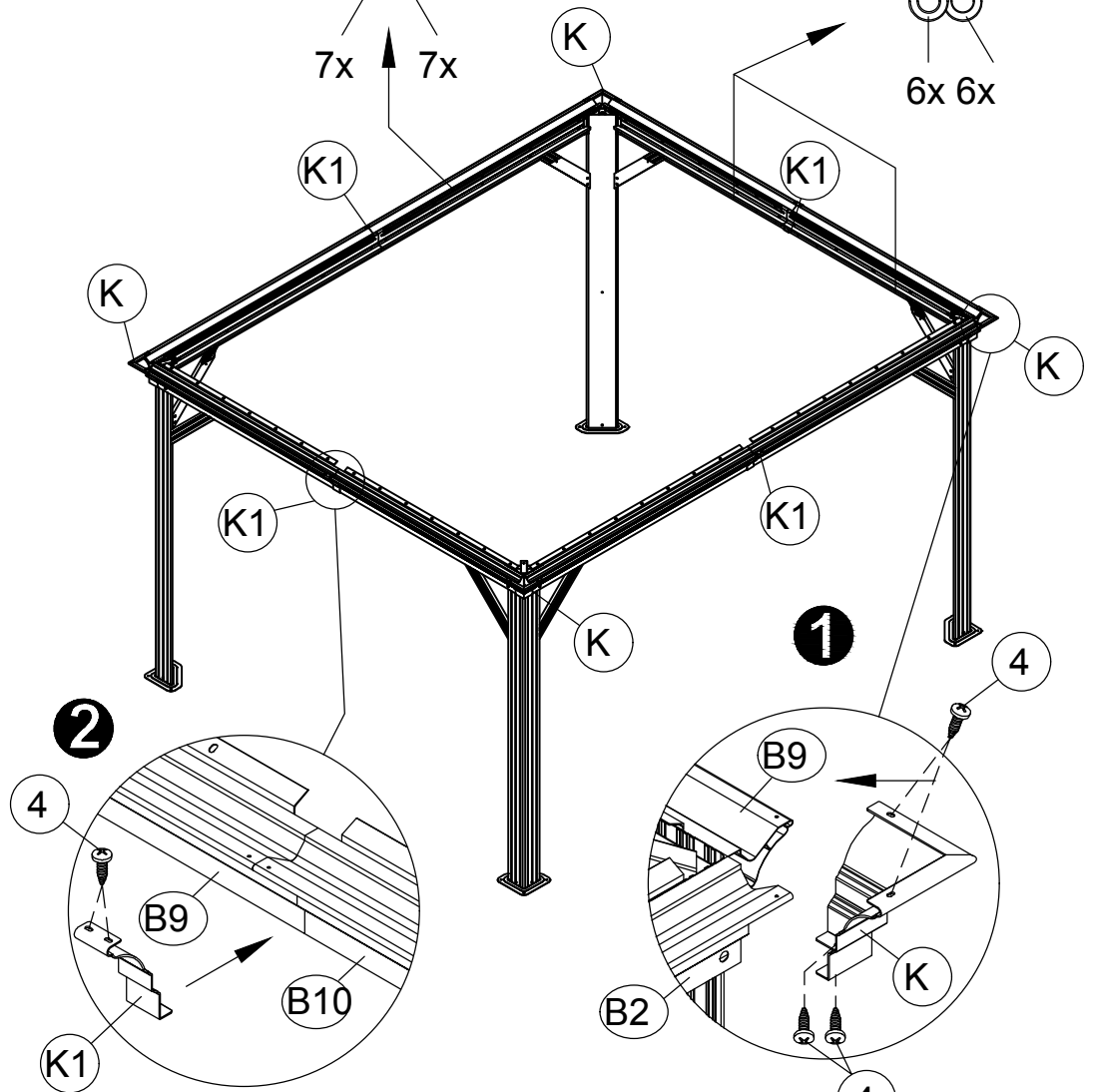
<6>

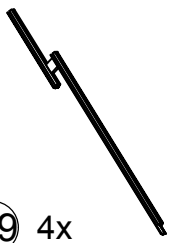


7x 7x

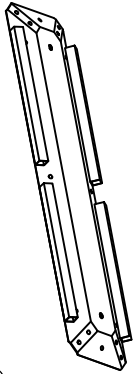


6x 6x





E9 4x

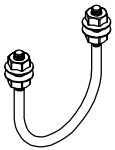


L6 1x



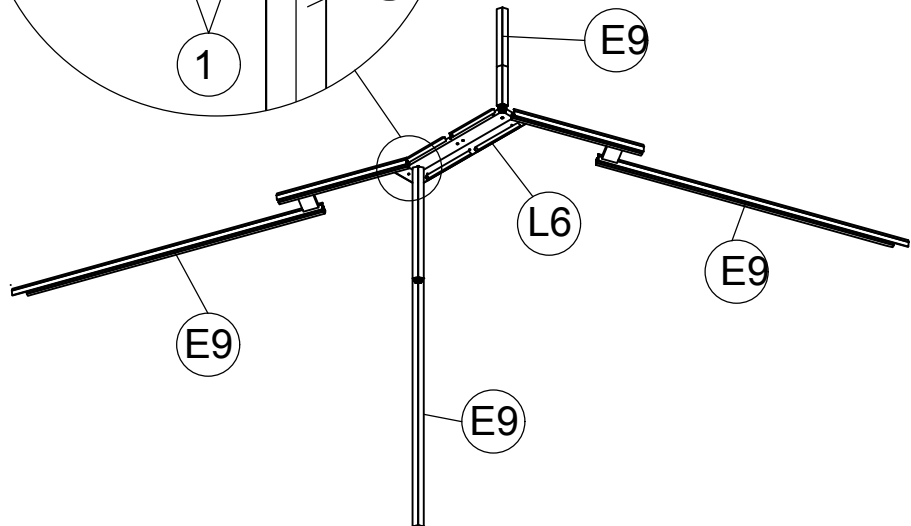
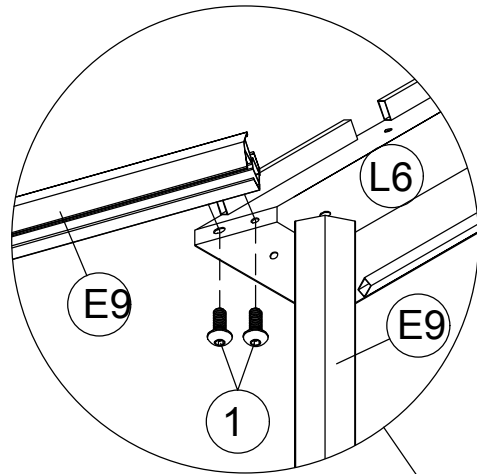
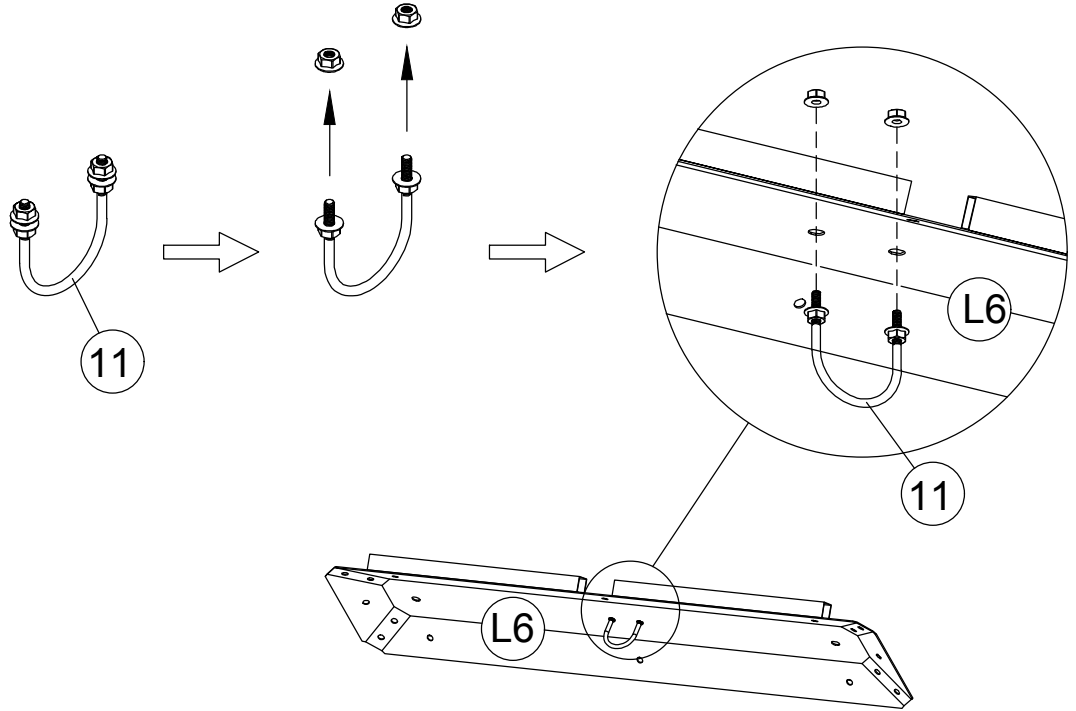
M6x15

1 8x



11 1x

<7>

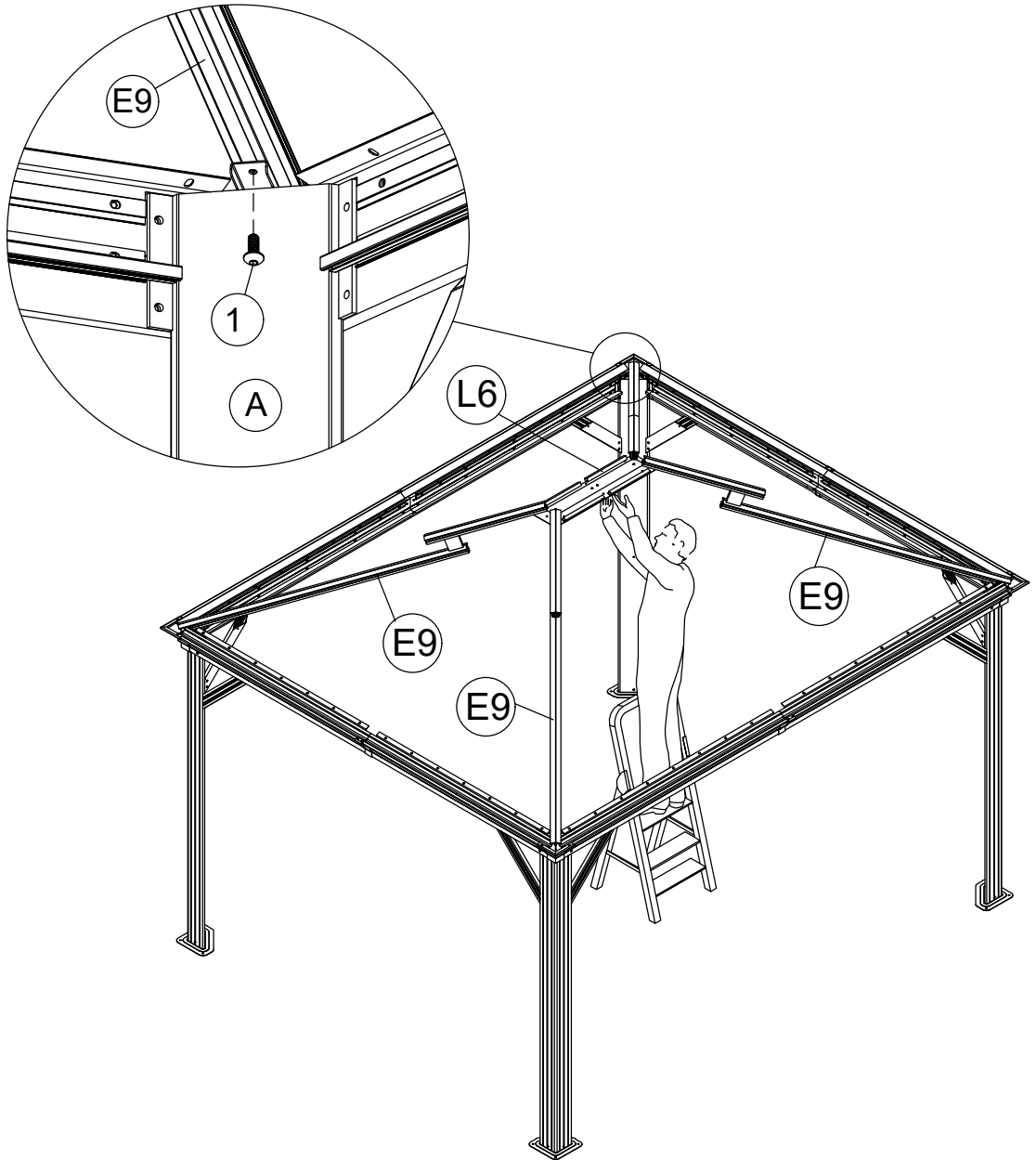




M6x15

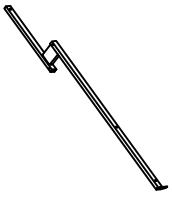
1 4x

<8>

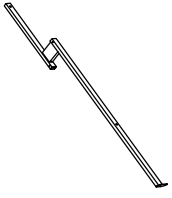


Note:

1. Let one person stand on the ladder to lift "L6" and hold and let others fasten the screws connecting both ends of "E9".
2. Please do not let go of holding "L6" until all the "E9" screws are installed.



E10 2x



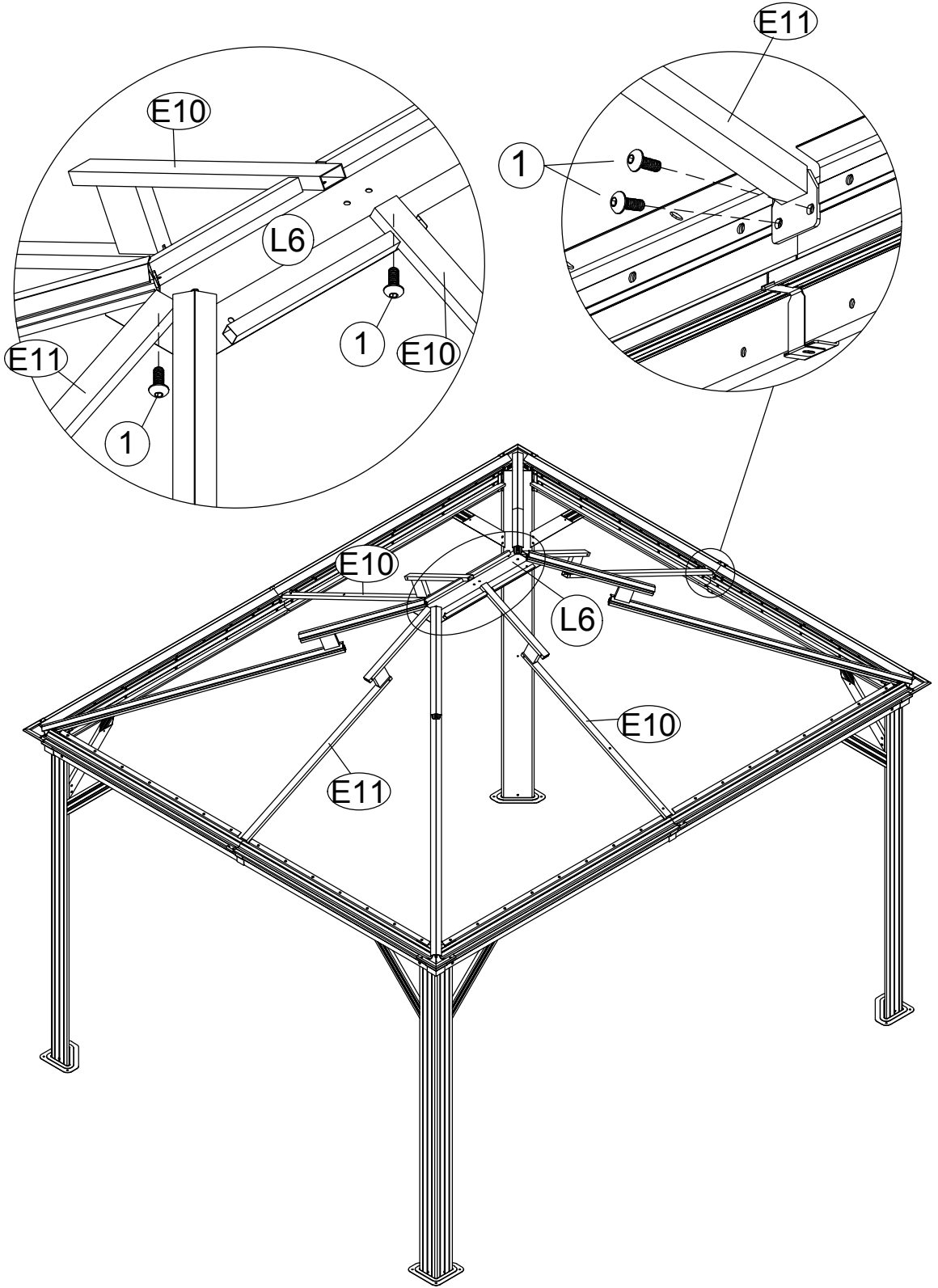
E11 2x

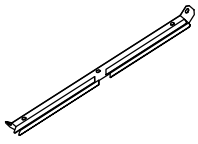


M6x15

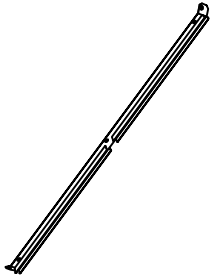
1 12x

<9>





I1 2x



I9 2x



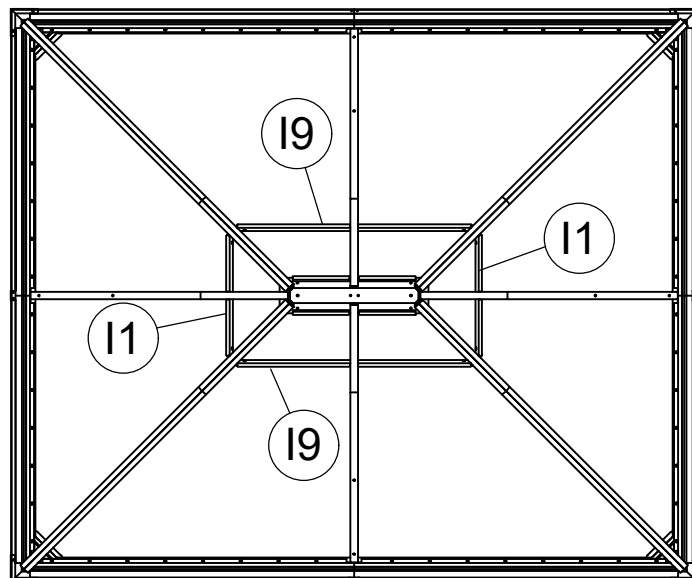
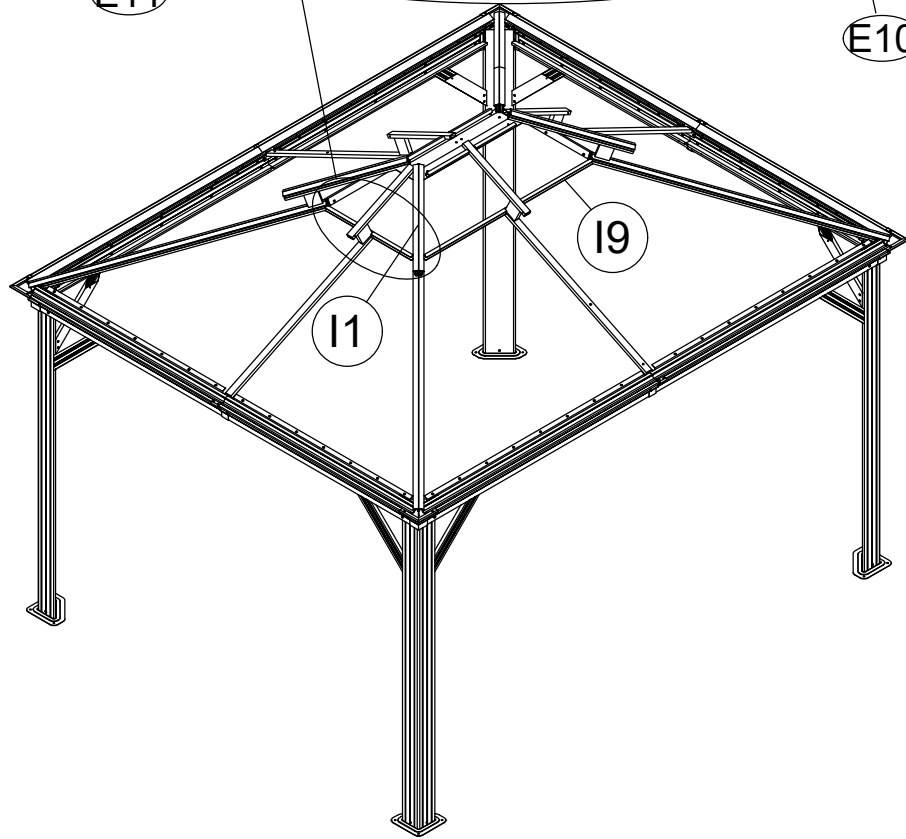
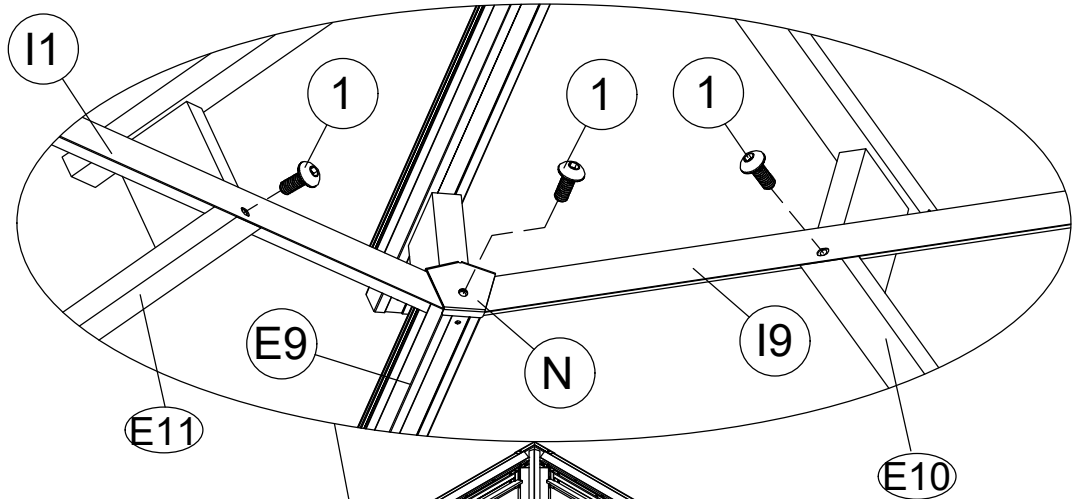
N 4x



M6x15

1 8x

<10>



<11>



G1 2x



G9 2x

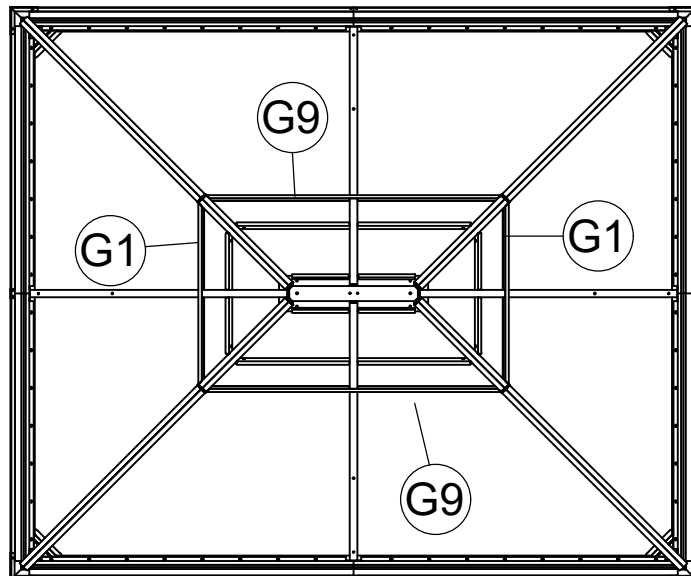
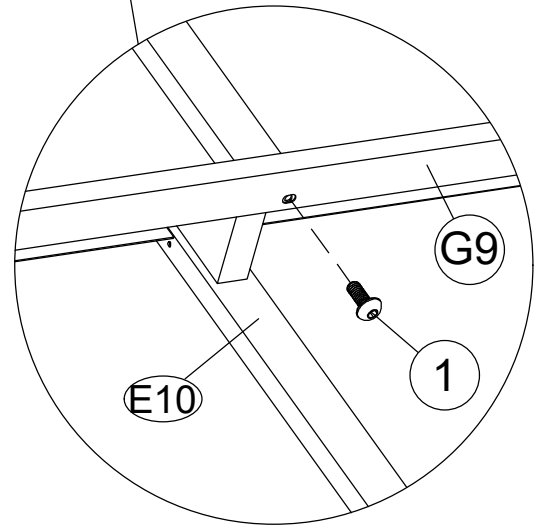
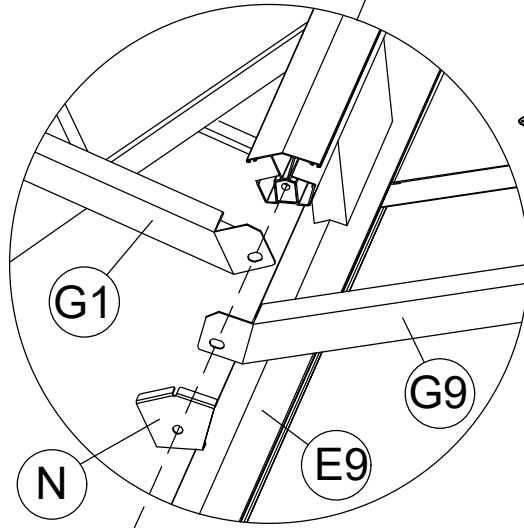
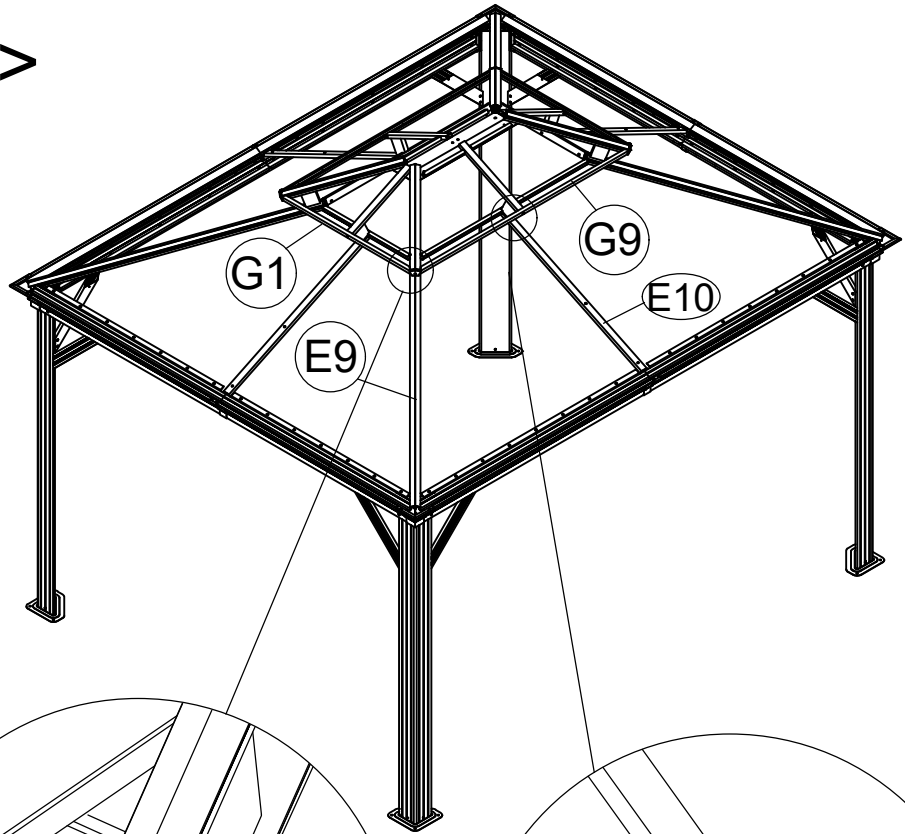


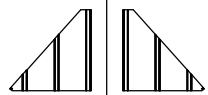
N 4x



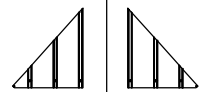
M6x15

1 8x

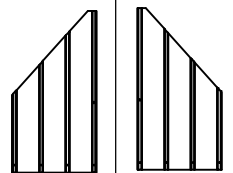




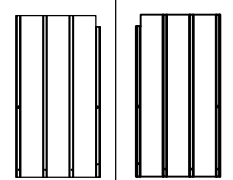
S1 2x S2 2x



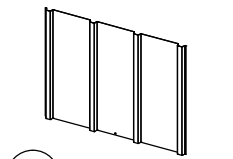
R1 2x R2 2x



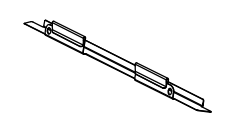
Q3 2x Q4 2x



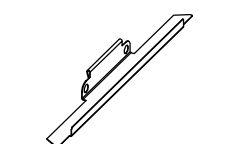
Q5 2x Q6 2x



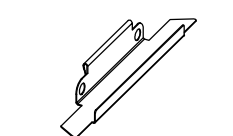
S3 2x



Z 24x



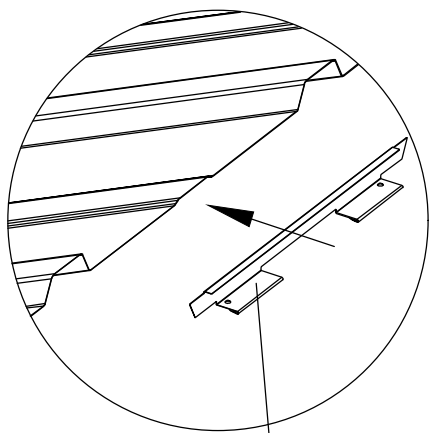
Z1 8x



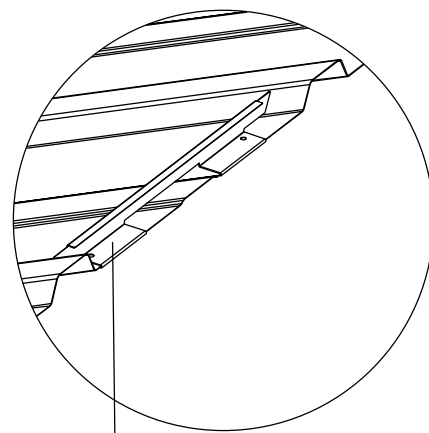
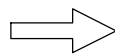
Z2 4x

16

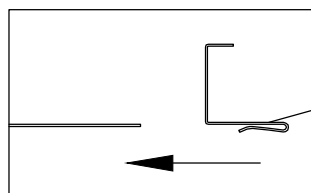
<12>



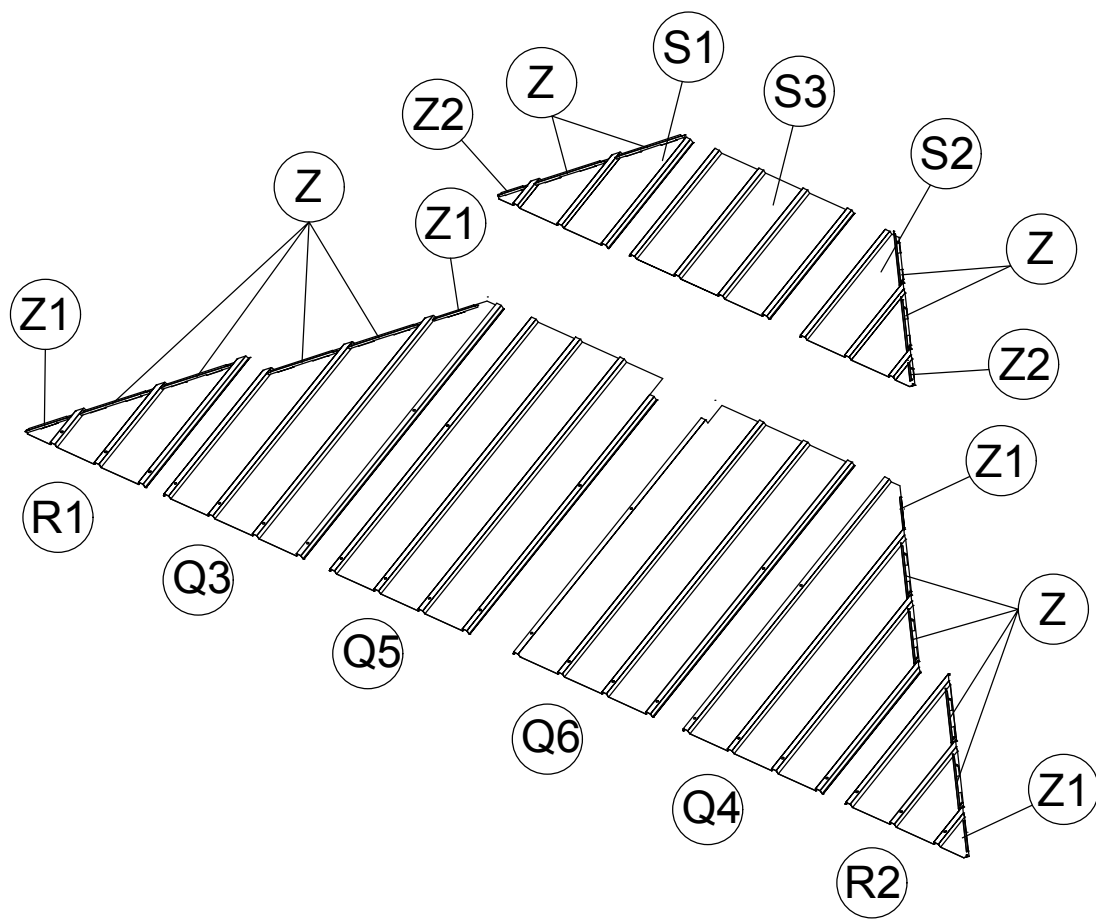
Z or Z1 or Z2



Z or Z1 or Z2

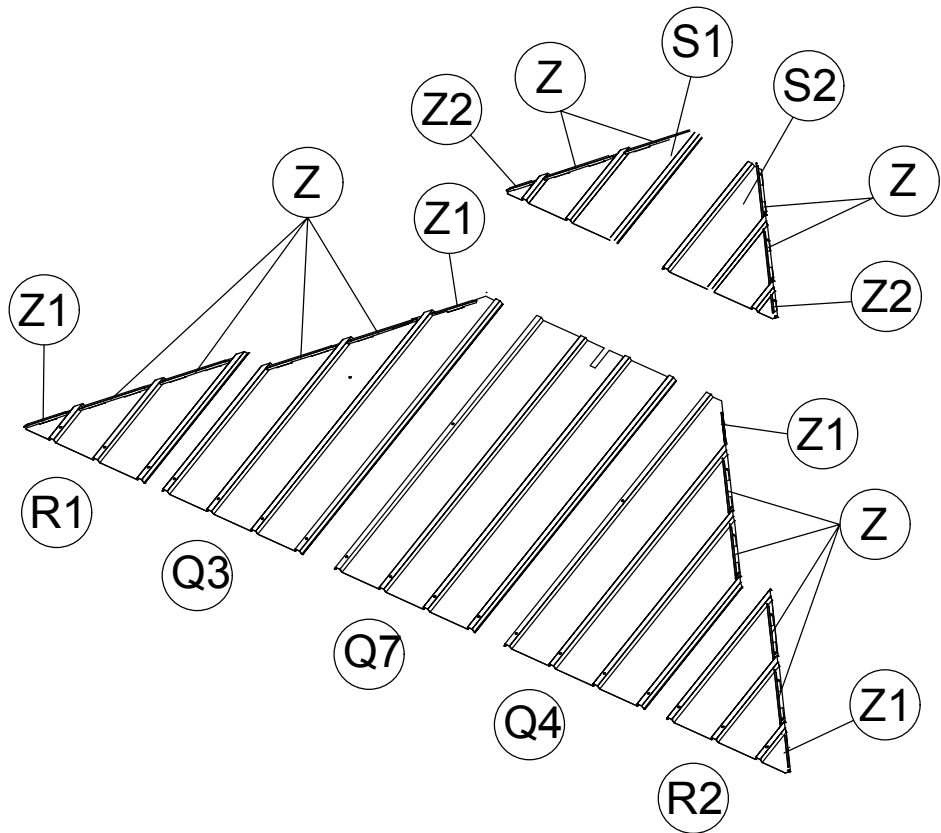
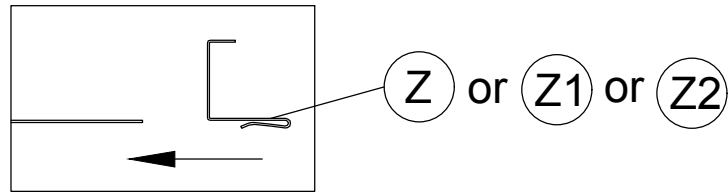
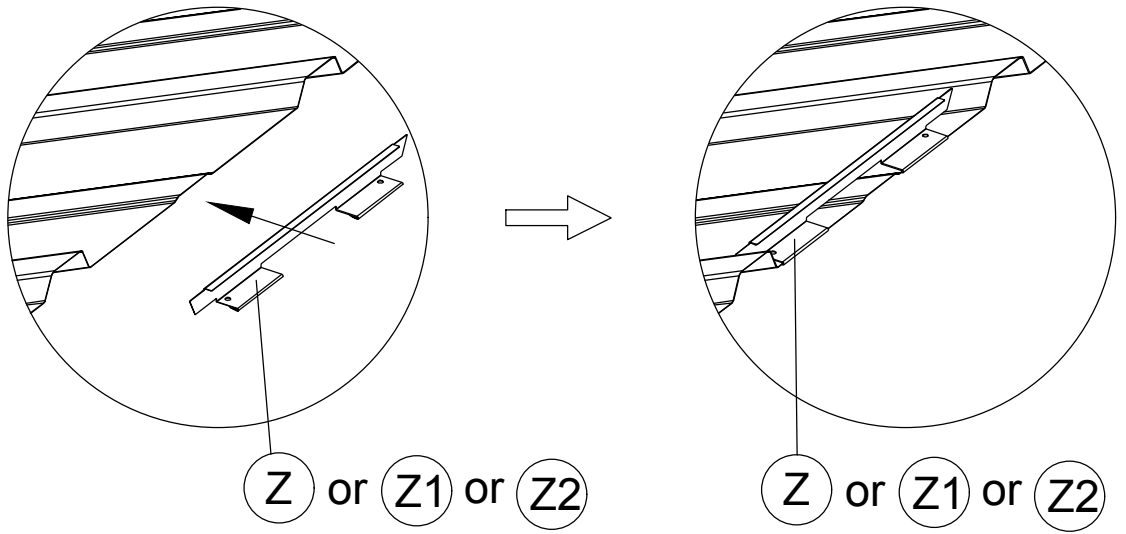


Z or Z1 or Z2

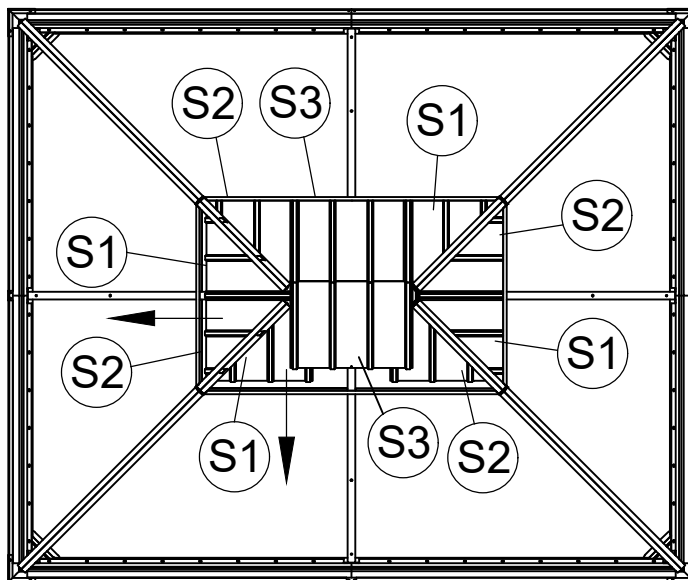
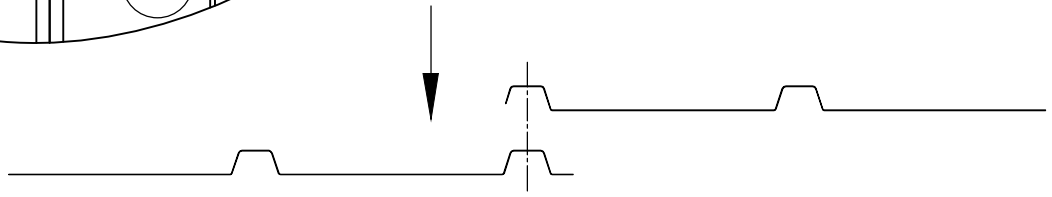
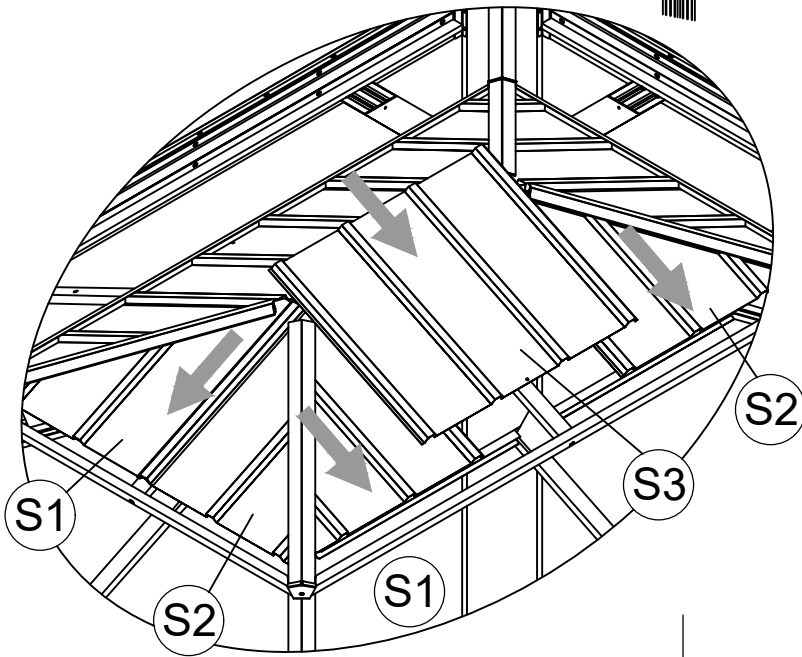
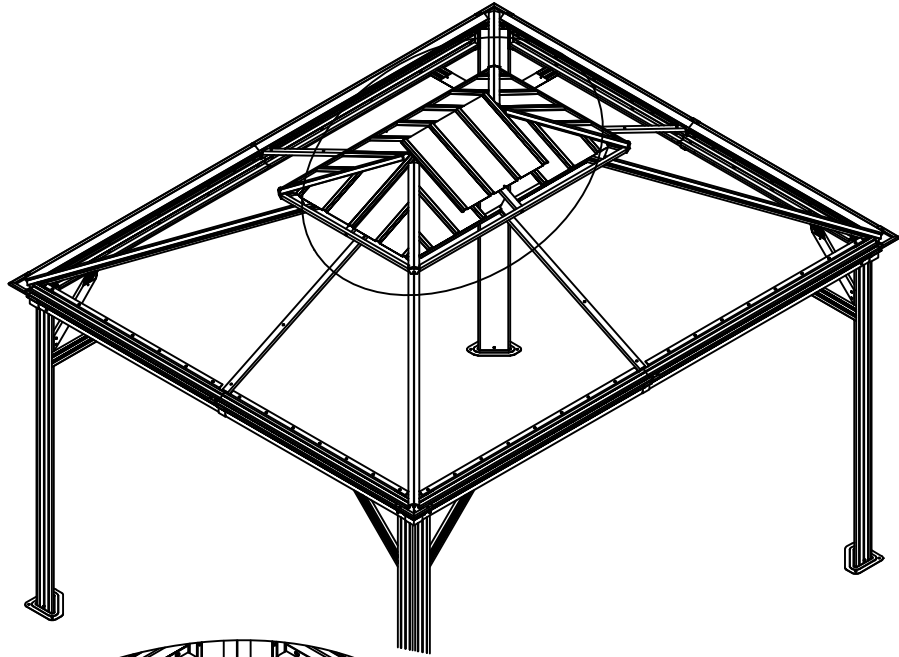


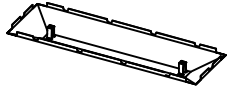
	S1 2x S2 2x
	R1 2x R2 2x
	Q3 2x Q4 2x
	Q7 2x
	Z 24x
	Z1 8x
	Z2 4x
17	

<13>



<14>



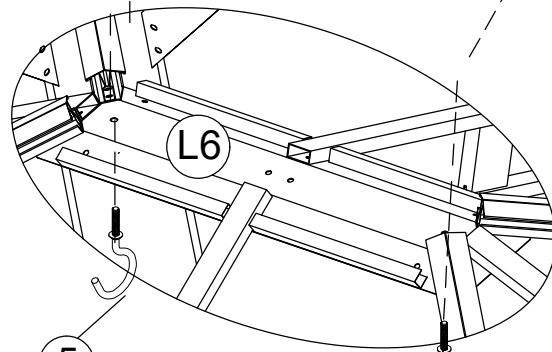
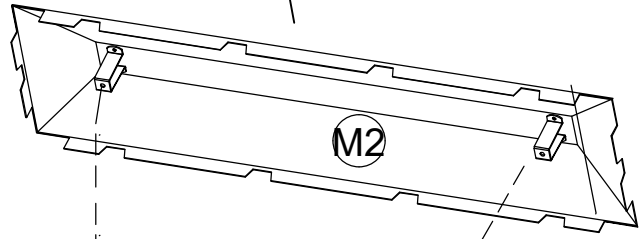
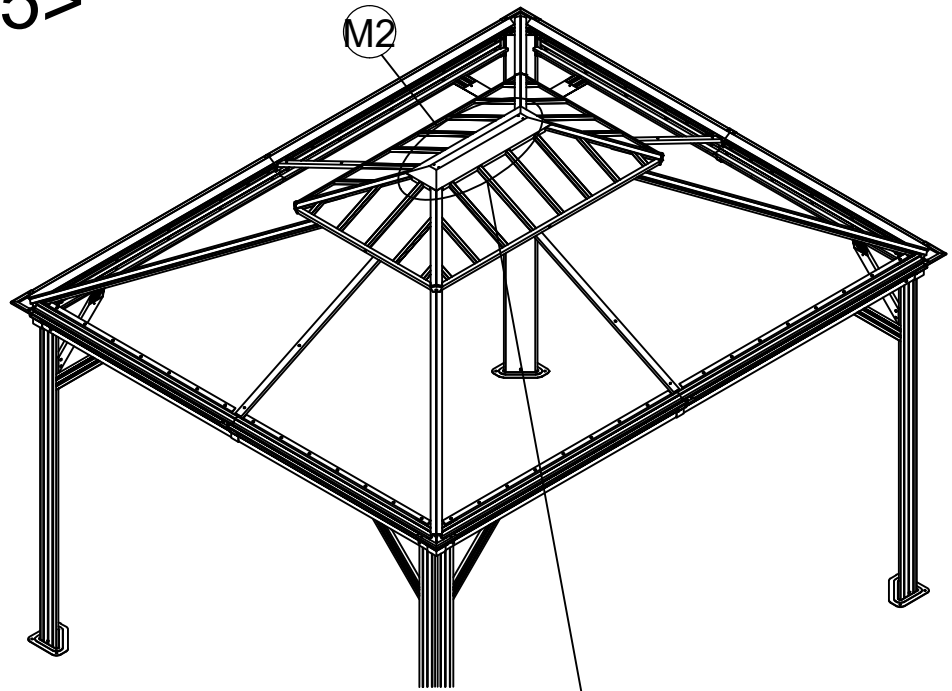


M2 1x



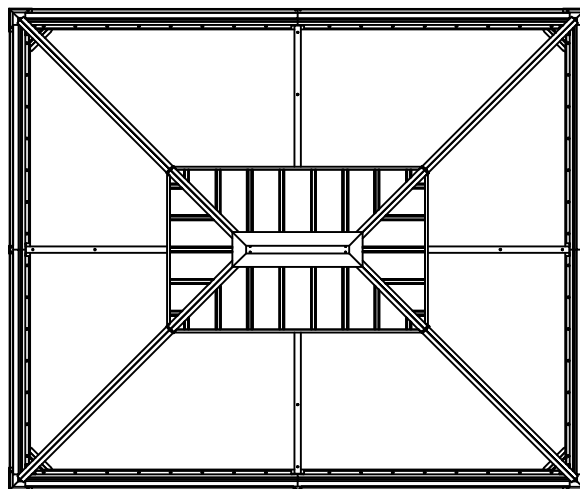
5 2x

<15>

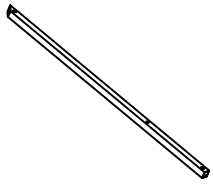


5

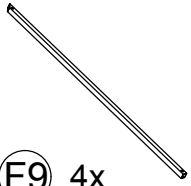
5



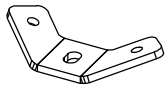
<16>



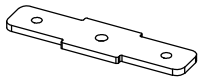
F7 4x



F9 4x



W 4x

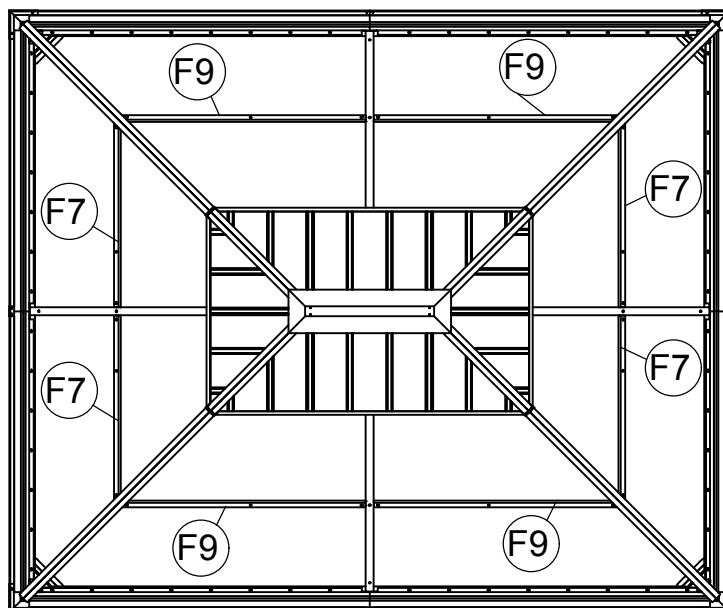
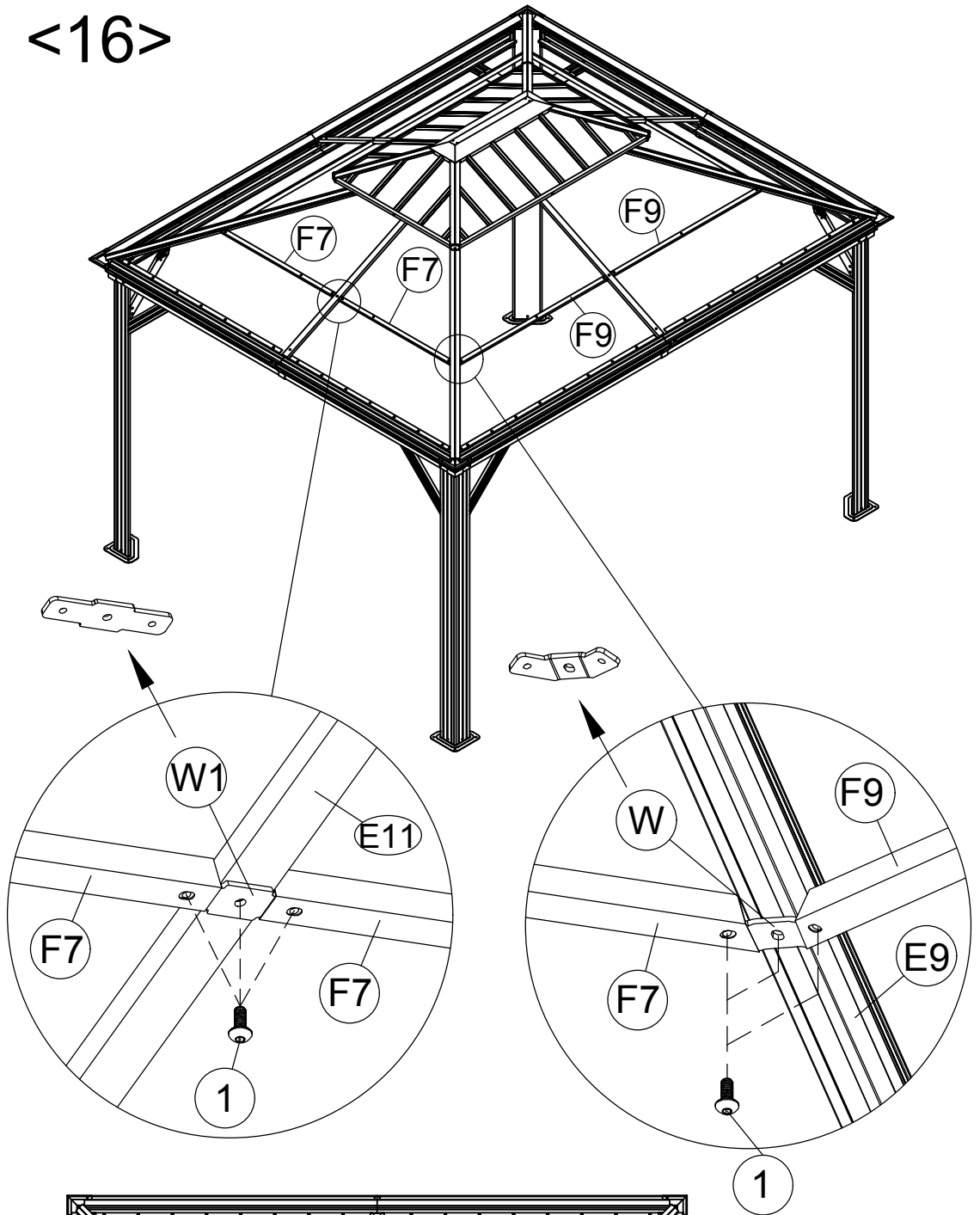


W1 4x

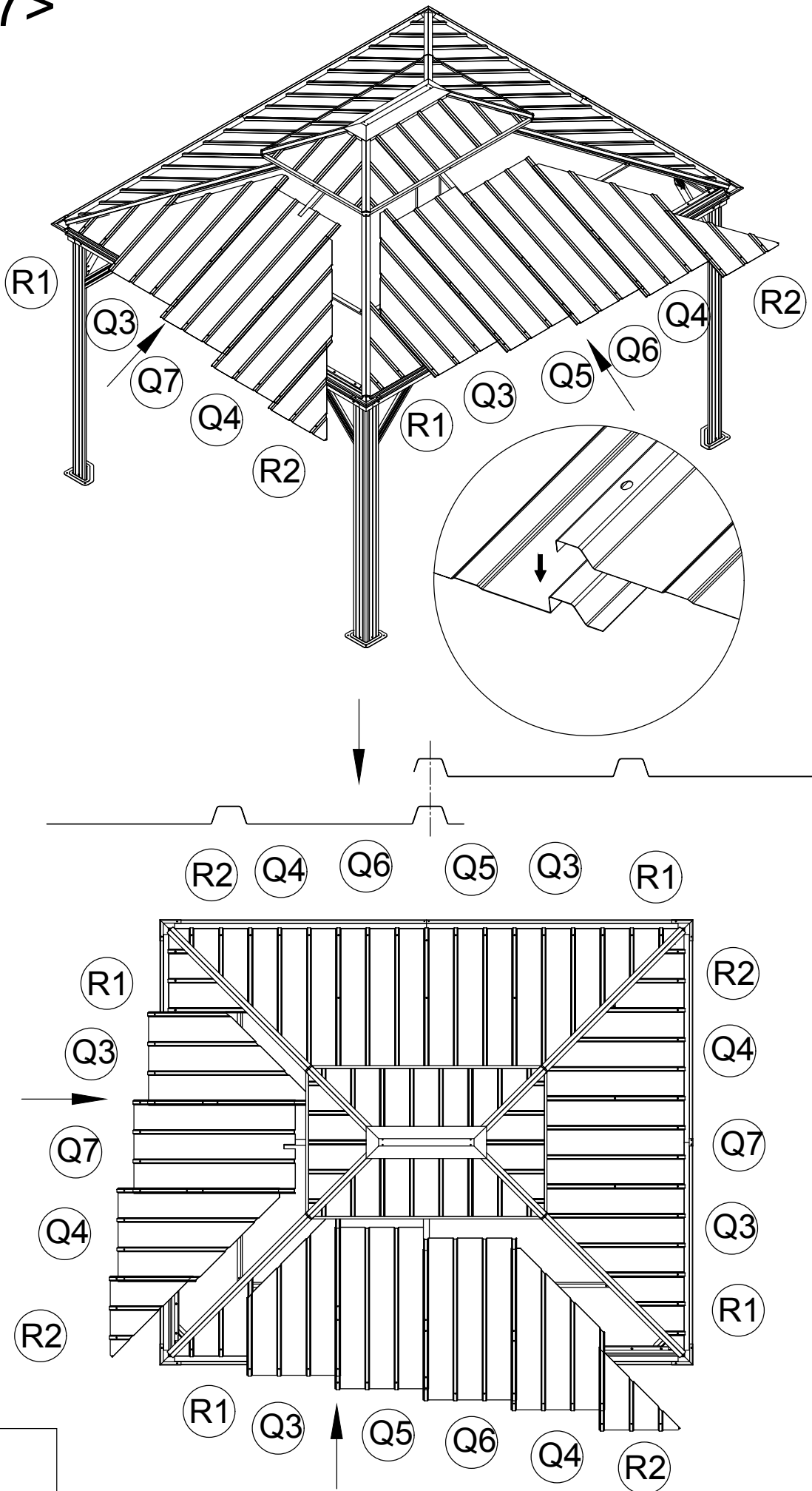


M6x15

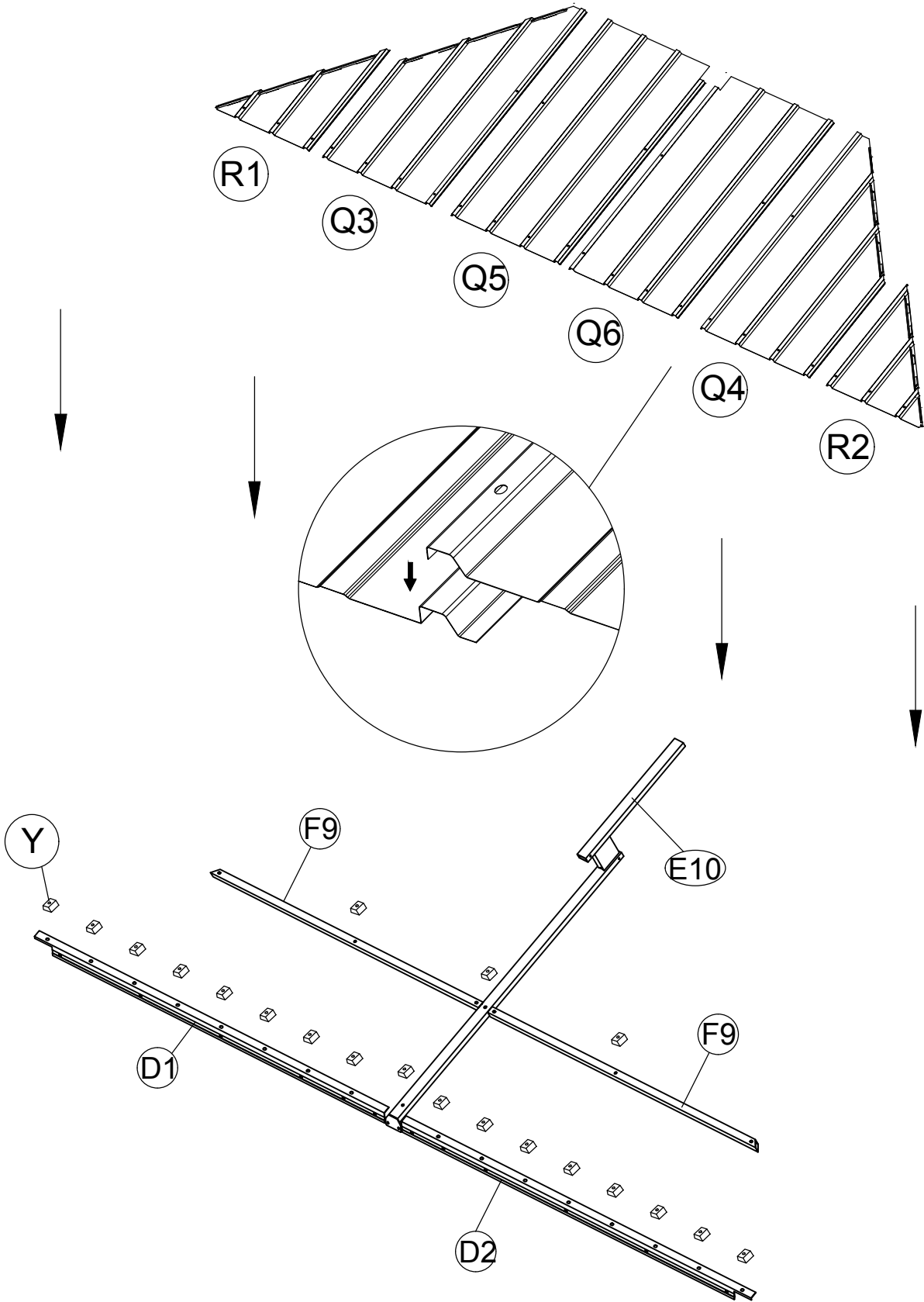
1 24x



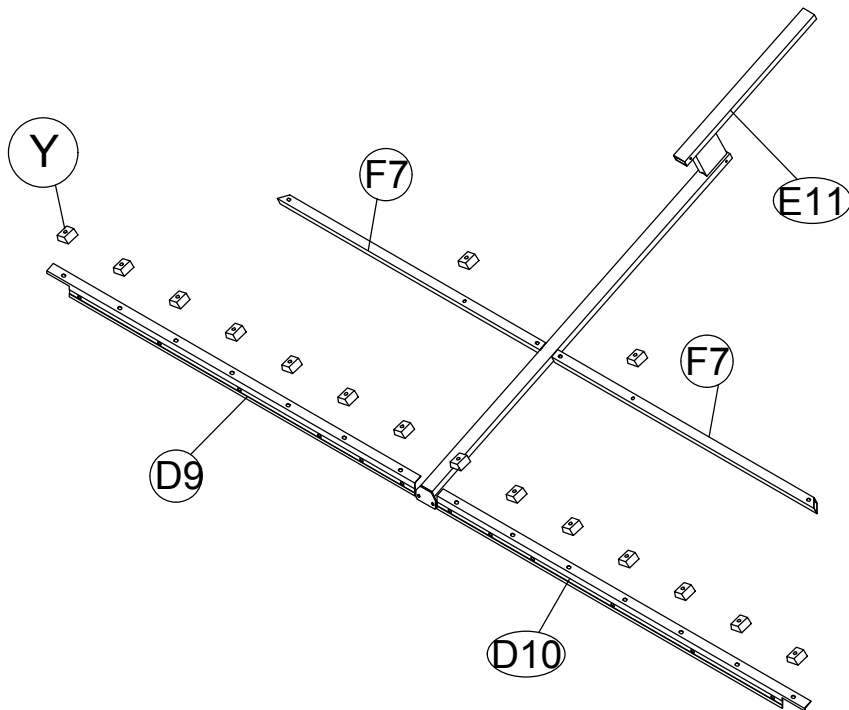
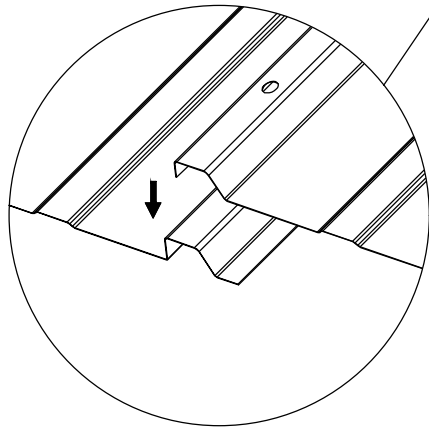
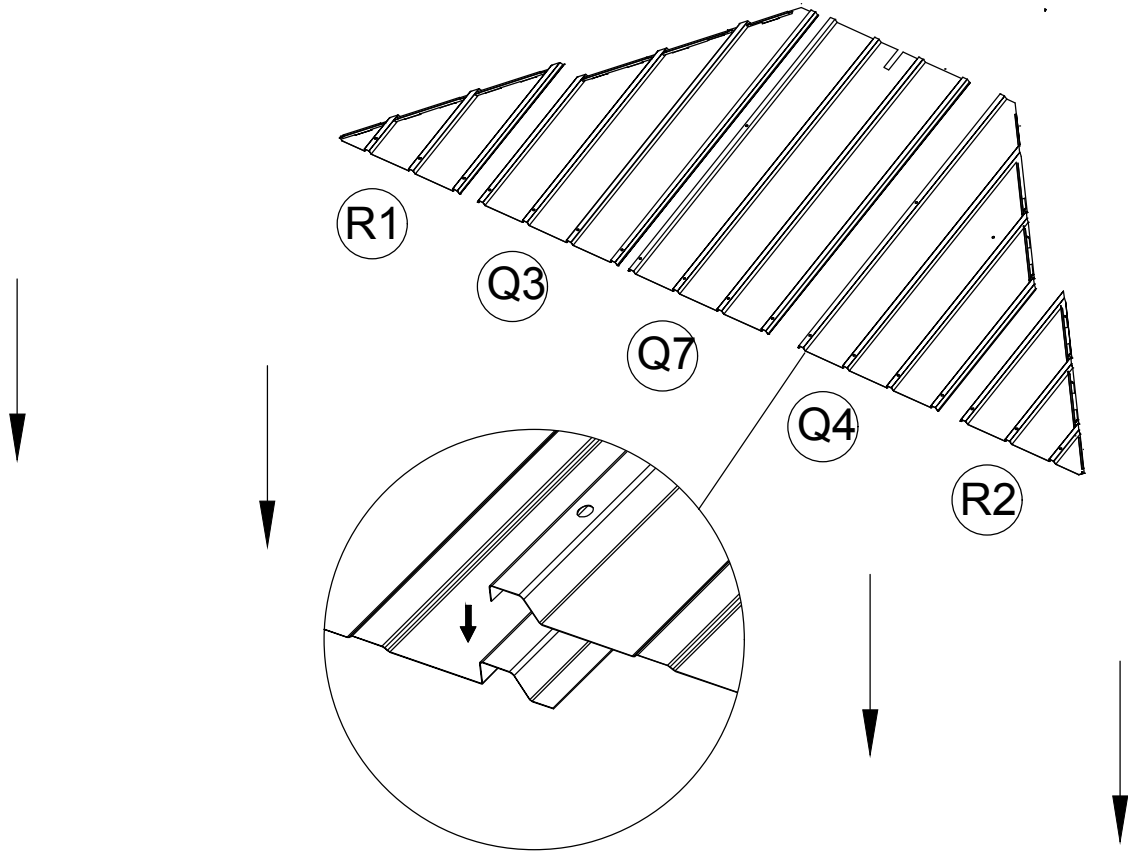
<17>



<18>



<19>





<20>

Y 72x



M6x23

2 60x



M6x25

3 2x



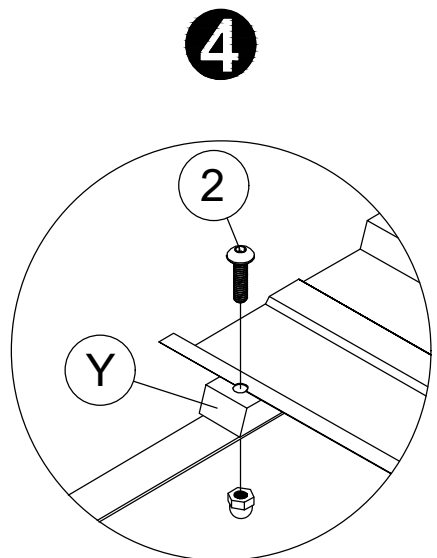
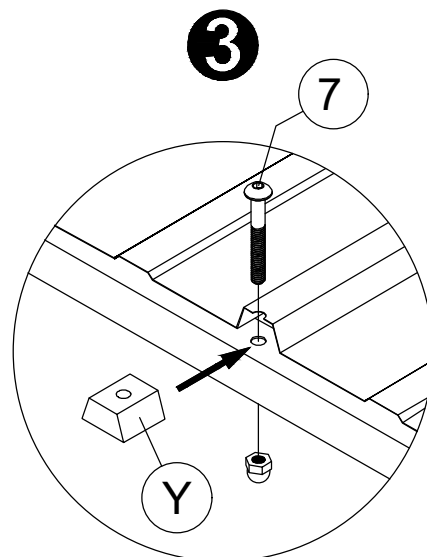
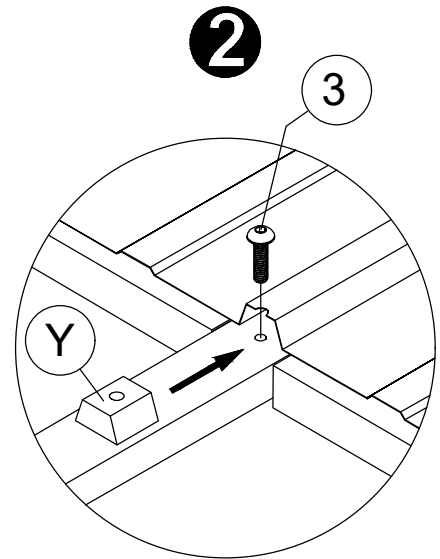
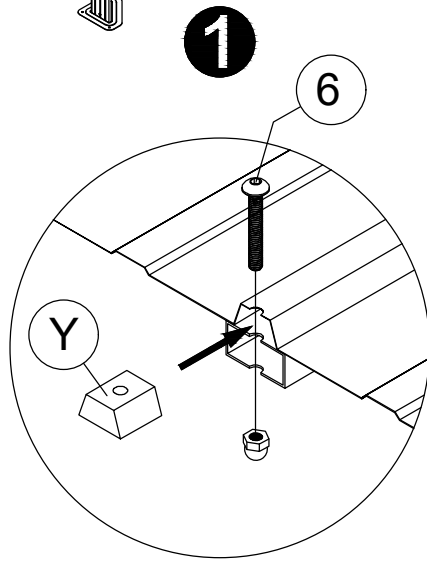
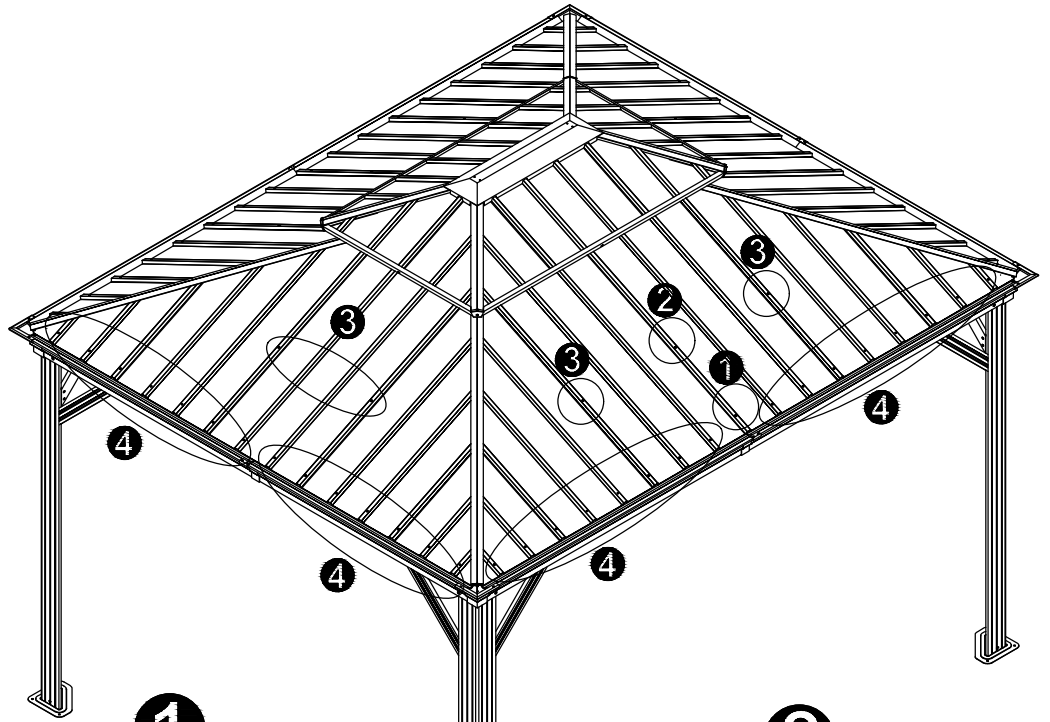
M6x42

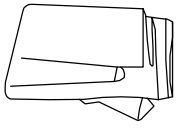
6 2x



M6x47

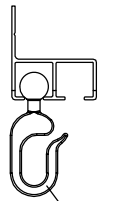
7 8x



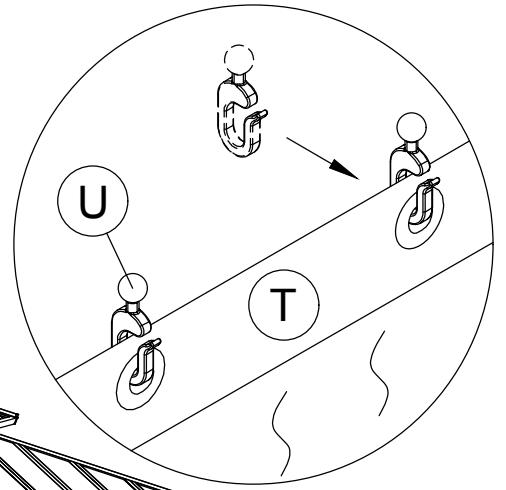


T 4x

<21>

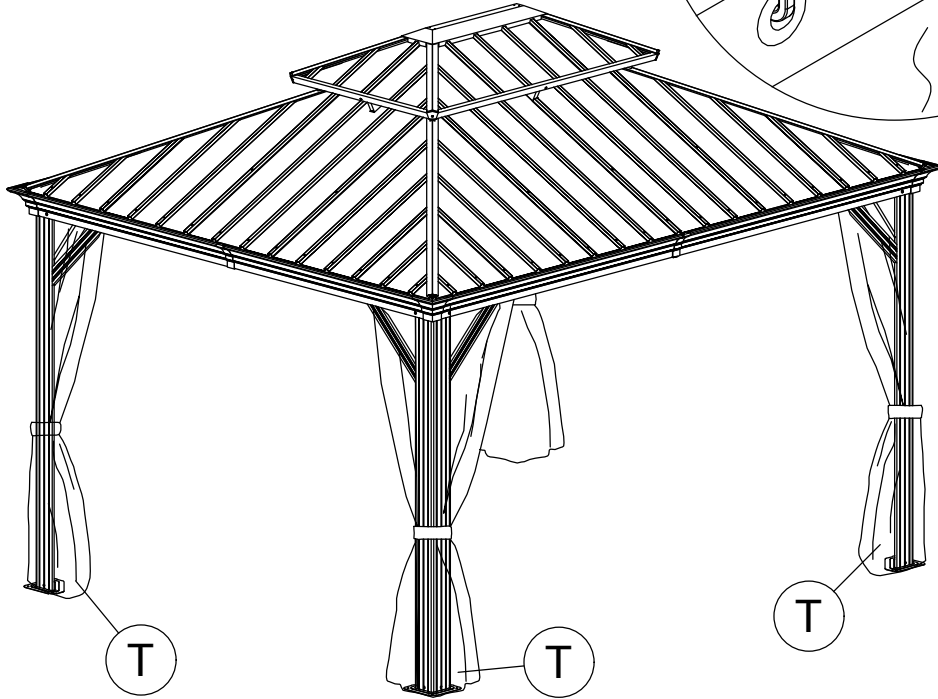


U



U

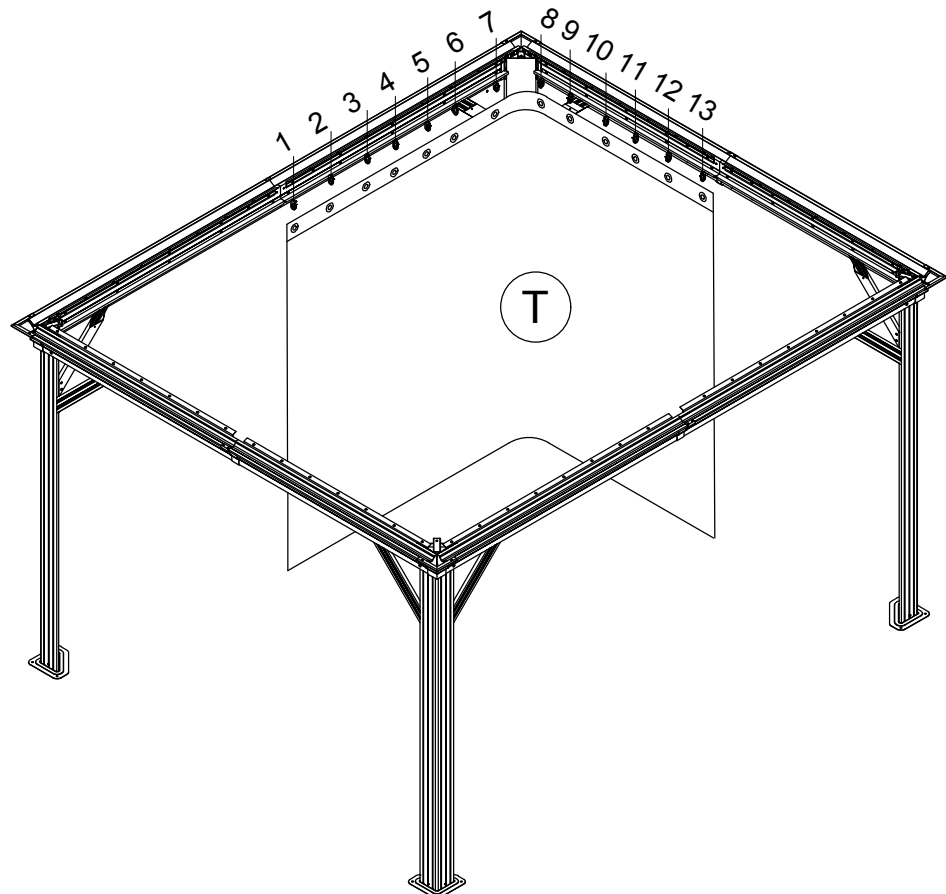
T



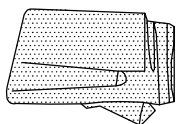
T

T

T

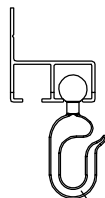


T

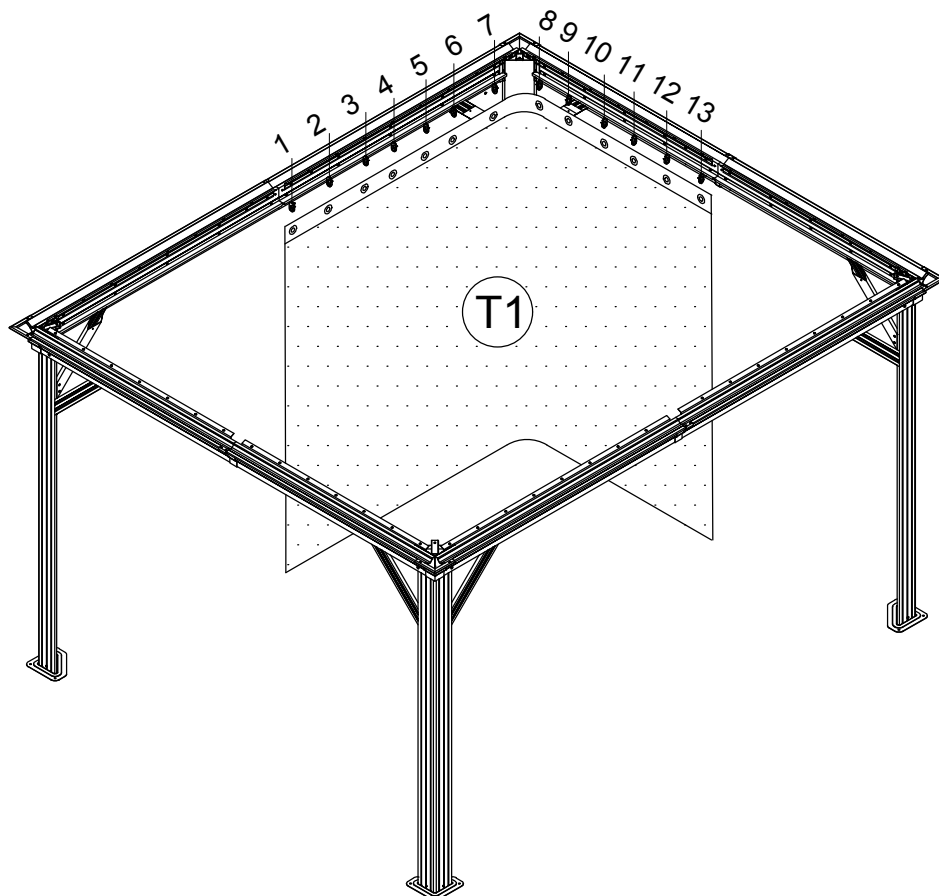
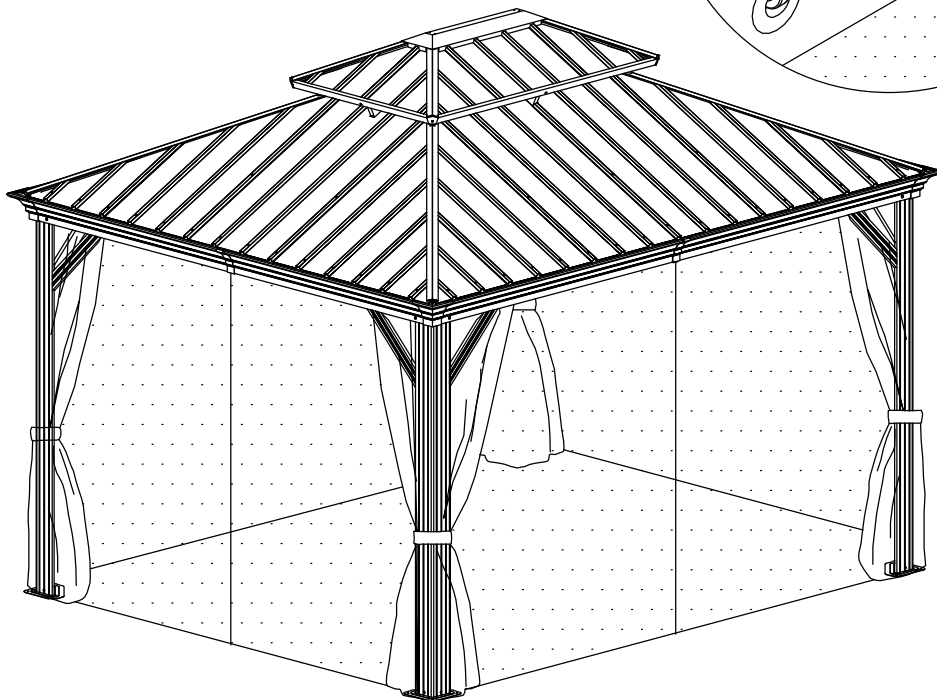
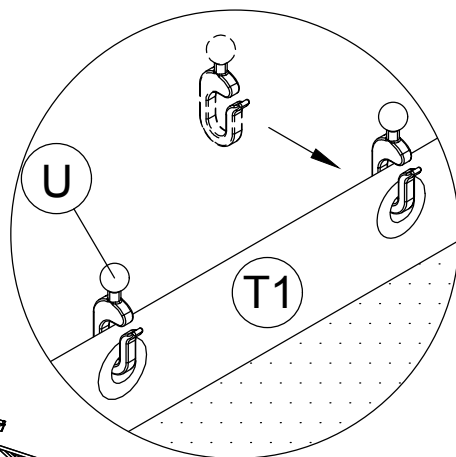


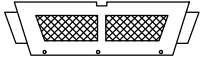
T1 4x

<22>



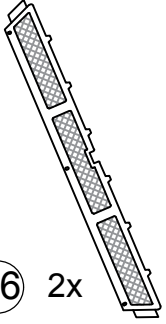
U





<23>

V1 2x



V6 2x



M6x10

9 8x

