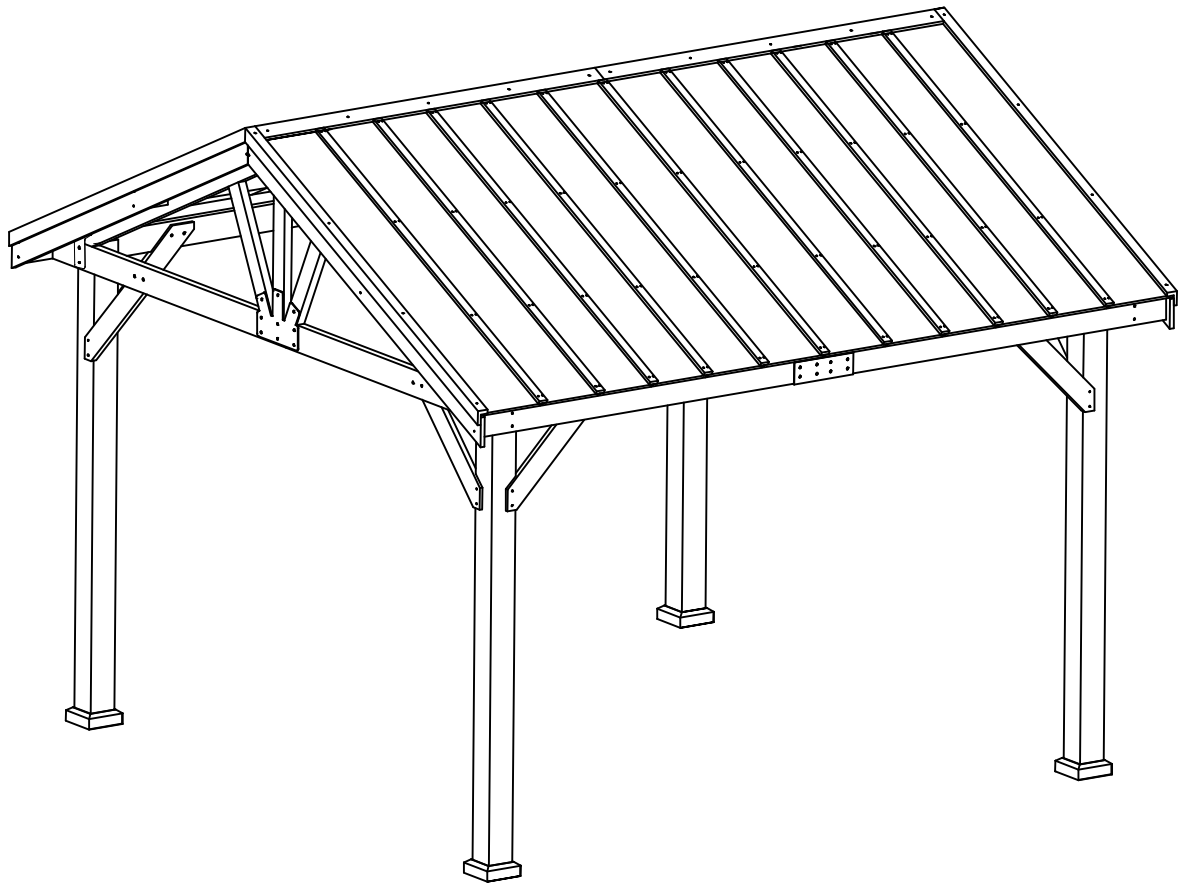


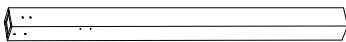
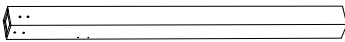








# Assembling Instruction

ITEM#: XWG209

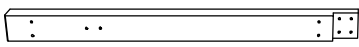


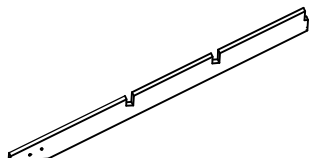
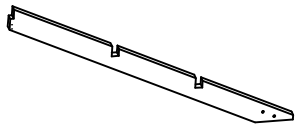
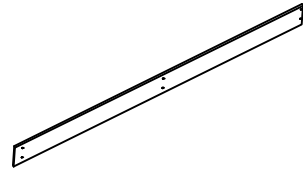
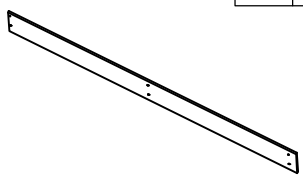


# SKU: XWG209

- ATTENTION:
1. Please check the manual carefully and make sure you have received all the parts.
  2. If there is any missing, please let us know the letter of the parts you need.
  3. If there is any damage, please send clear photos to us, we will check and offer you best solution soon.

| Parts List (Box A)   |   |  |
|--|---|--|
| <div data-bbox="451 786 571 846" data-label="Text">AA x2</div>      | <div data-bbox="887 786 1007 846" data-label="Text">BB x2</div>      | <div data-bbox="1326 786 1445 846" data-label="Text">EE x4</div>      |
| Parts List (Box B)   |   |  |
| <div data-bbox="451 1279 571 1339" data-label="Text">II x2</div>  | <div data-bbox="898 1279 1018 1339" data-label="Text">JJ x2</div>  | <div data-bbox="1337 1279 1457 1339" data-label="Text">KK x2</div>  |
| <div data-bbox="459 1536 579 1597" data-label="Text">LL x1</div>  | <div data-bbox="898 1536 1018 1597" data-label="Text">MM x1</div>  | <div data-bbox="1337 1536 1457 1597" data-label="Text">NN x2</div>  |
| <div data-bbox="459 1794 579 1854" data-label="Text">VV x2</div>  |   |  |

Parts List (Box C)

|  |  |  |
|--|--|--|
| <p>FF X4</p>  | <p>LL X1</p>  | <p>MM X1</p>  |
| <p>OO X2</p>  | <p>PP X2</p>  | <p>QQ X2</p>  |
| <p>RR X2</p>  |  |  |

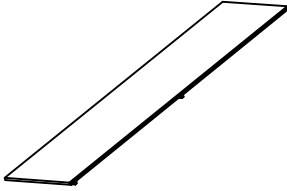
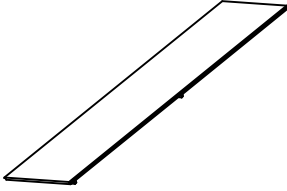
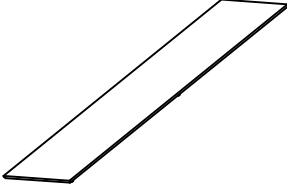
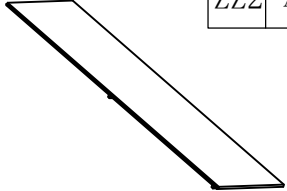
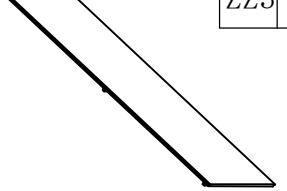
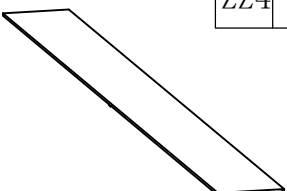
Parts List (Box D)

|  |  |  |
|--|--|--|
| <p>ZZ X8</p>  |  |  |
|--|--|--|

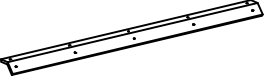
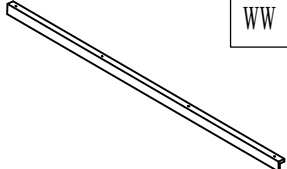
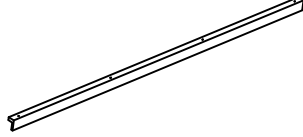

Parts List (Box E)

|   |  |  |
|---|--|--|
| <p>ZZ3 X8</p>  |  |  |
|---|--|--|


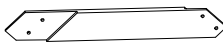
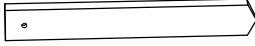
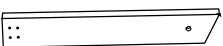
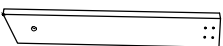


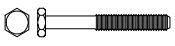
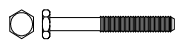
Parts List (Box F)



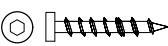
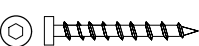
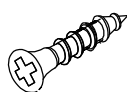
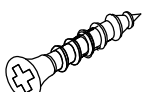
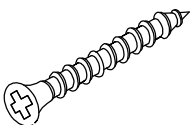
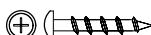
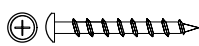
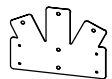
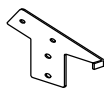

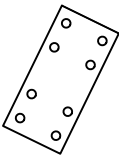
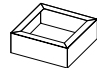



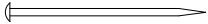
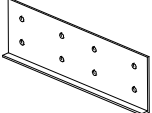

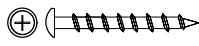
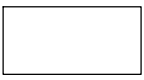
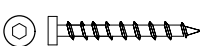
|   |   |   |
|---|---|---|
|  <p>YY x1</p>  |  <p>ZZ x2</p>  |  <p>ZZ1 x1</p> |
|  <p>ZZ2 x1</p> |  <p>ZZ3 x2</p> |  <p>ZZ4 x1</p> |

Parts List (Box G)

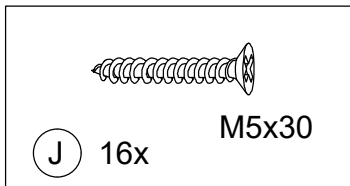
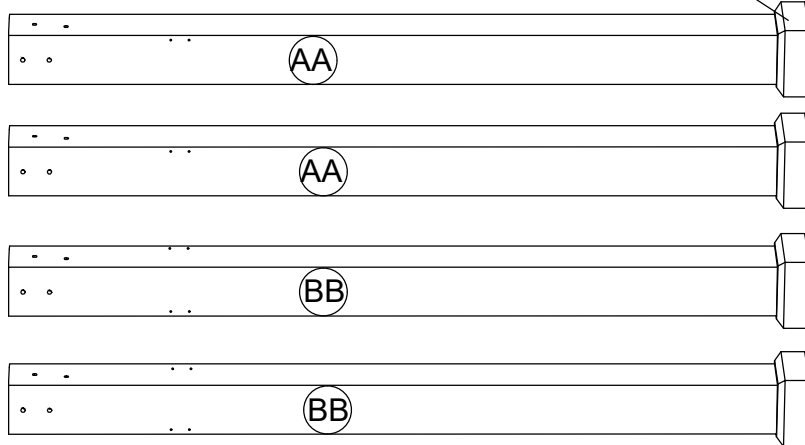
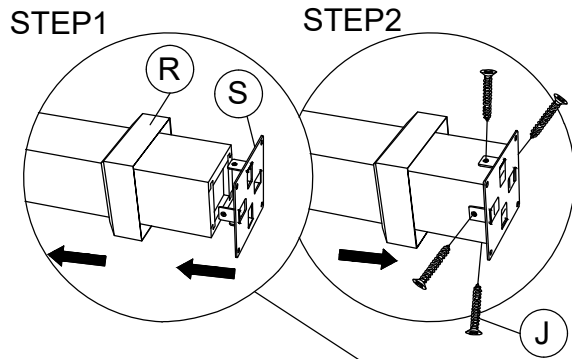
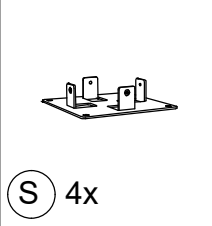
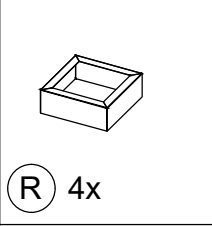
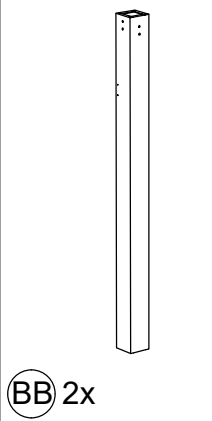
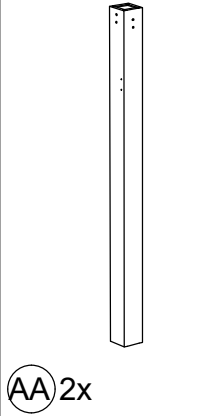
|   |   |   |
|---|---|---|
|  <p>UU x2</p>   |  <p>WW x2</p> |  <p>XX x2</p> |
|  <p>HH x22</p> |   |   |






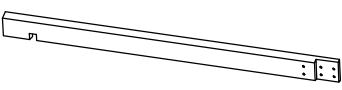

Parts List (Box H)

|   |   |  |
|---|---|--|
|  <p>CC x4</p>          |  <p>DD x4</p>                  |  <p>GG x2</p>                   |
|  <p>SS x2</p>          |  <p>TT x2</p>                  |  <p>A x16+ (1)<br/>M8*175mm</p> |
|  <p>B x8<br/>ø8*30</p> |  <p>C x98+ (2)<br/>M8*55mm</p> |  <p>D x16+ (1)<br/>M8*65mm</p>  |

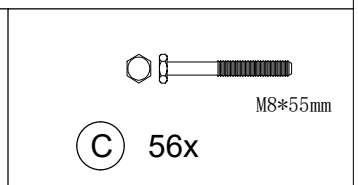
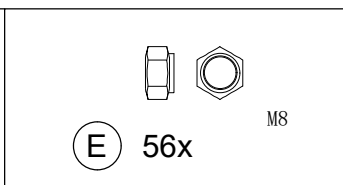
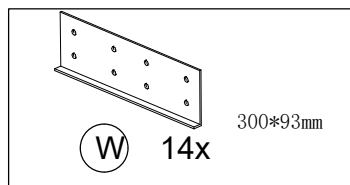
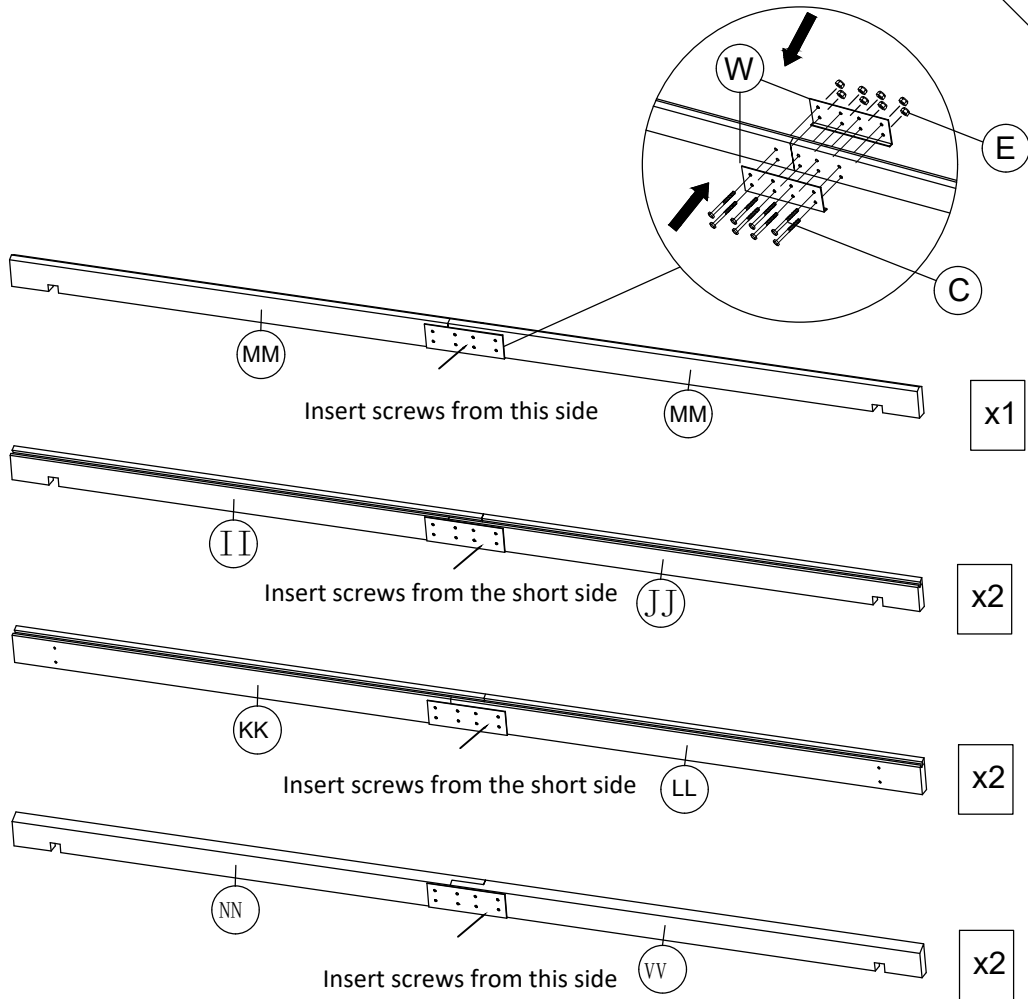
|  |          |          |         |  |   |   |         |           |  |  |    |         |           |  |   |   |          |           |  |
|--|----------|----------|---------|--|---|---|---------|-----------|--|--|----|---------|-----------|--|---|---|----------|-----------|--|
| <table border="1"> <tr> <td>E</td> <td>x130+(2)</td> </tr> <tr> <td colspan="2">M8</td> </tr> </table>        | E        | x130+(2) | M8      |  | <table border="1"> <tr> <td>F</td> <td>x82+(2)</td> </tr> <tr> <td colspan="2">ø20*1.4mm</td> </tr> </table>                   | F | x82+(2) | ø20*1.4mm |  | <table border="1"> <tr> <td>G</td> <td>x16+(1)</td> </tr> <tr> <td colspan="2">M6*40mm</td> </tr> </table>     | G  | x16+(1) | M6*40mm   |  | <table border="1"> <tr> <td>H</td> <td>x8+(1)</td> </tr> <tr> <td colspan="2">M6*65mm</td> </tr> </table>    | H | x8+(1)   | M6*65mm   |  |
| E  | x130+(2) |          |         |  |   |   |         |           |  |  |    |         |           |  |   |   |          |           |  |
| M8   |          |          |         |  |   |   |         |           |  |  |    |         |           |  |   |   |          |           |  |
| F  | x82+(2)  |          |         |  |   |   |         |           |  |  |    |         |           |  |   |   |          |           |  |
| ø20*1.4mm  |          |          |         |  |   |   |         |           |  |  |    |         |           |  |   |   |          |           |  |
| G  | x16+(1)  |          |         |  |   |   |         |           |  |  |    |         |           |  |   |   |          |           |  |
| M6*40mm  |          |          |         |  |   |   |         |           |  |  |    |         |           |  |   |   |          |           |  |
| H  | x8+(1)   |          |         |  |   |   |         |           |  |  |    |         |           |  |   |   |          |           |  |
| M6*65mm  |          |          |         |  |   |   |         |           |  |  |    |         |           |  |   |   |          |           |  |
| <table border="1"> <tr> <td>I</td> <td>x48+(2)</td> </tr> <tr> <td colspan="2">M4*20mm</td> </tr> </table>    | I        | x48+(2)  | M4*20mm |  | <table border="1"> <tr> <td>J</td> <td>x16+(1)</td> </tr> <tr> <td colspan="2">M5*30mm</td> </tr> </table>                     | J | x16+(1) | M5*30mm   |  | <table border="1"> <tr> <td>K</td> <td>x10+(1)</td> </tr> <tr> <td colspan="2">M5*80mm</td> </tr> </table>     | K  | x10+(1) | M5*80mm   |  | <table border="1"> <tr> <td>L</td> <td>x136+(2)</td> </tr> <tr> <td colspan="2">M4*25mm</td> </tr> </table>  | L | x136+(2) | M4*25mm   |  |
| I  | x48+(2)  |          |         |  |   |   |         |           |  |  |    |         |           |  |   |   |          |           |  |
| M4*20mm  |          |          |         |  |   |   |         |           |  |  |    |         |           |  |   |   |          |           |  |
| J  | x16+(1)  |          |         |  |   |   |         |           |  |  |    |         |           |  |   |   |          |           |  |
| M5*30mm  |          |          |         |  |   |   |         |           |  |  |    |         |           |  |   |   |          |           |  |
| K  | x10+(1)  |          |         |  |   |   |         |           |  |  |    |         |           |  |   |   |          |           |  |
| M5*80mm  |          |          |         |  |   |   |         |           |  |  |    |         |           |  |   |   |          |           |  |
| L  | x136+(2) |          |         |  |   |   |         |           |  |  |    |         |           |  |   |   |          |           |  |
| M4*25mm  |          |          |         |  |   |   |         |           |  |  |    |         |           |  |   |   |          |           |  |
| <table border="1"> <tr> <td>M</td> <td>x80+(2)</td> </tr> <tr> <td colspan="2">M4*50mm</td> </tr> </table>   | M        | x80+(2)  | M4*50mm |  | <table border="1"> <tr> <td>N</td> <td>x2</td> </tr> <tr> <td colspan="2">300*230mm</td> </tr> </table>                       | N | x2      | 300*230mm |  | <table border="1"> <tr> <td>O</td> <td>x2</td> </tr> <tr> <td colspan="2">200*208mm</td> </tr> </table>       | O  | x2      | 200*208mm |  | <table border="1"> <tr> <td>P</td> <td>x2</td> </tr> <tr> <td colspan="2">200*208mm</td> </tr> </table>     | P | x2       | 200*208mm |  |
| M  | x80+(2)  |          |         |  |   |   |         |           |  |  |    |         |           |  |   |   |          |           |  |
| M4*50mm  |          |          |         |  |   |   |         |           |  |  |    |         |           |  |   |   |          |           |  |
| N  | x2       |          |         |  |   |   |         |           |  |  |    |         |           |  |   |   |          |           |  |
| 300*230mm  |          |          |         |  |   |   |         |           |  |  |    |         |           |  |   |   |          |           |  |
| O  | x2       |          |         |  |   |   |         |           |  |  |    |         |           |  |   |   |          |           |  |
| 200*208mm  |          |          |         |  |   |   |         |           |  |  |    |         |           |  |   |   |          |           |  |
| P  | x2       |          |         |  |   |   |         |           |  |  |    |         |           |  |   |   |          |           |  |
| 200*208mm  |          |          |         |  |   |   |         |           |  |  |    |         |           |  |   |   |          |           |  |
| <table border="1"> <tr> <td>Q</td> <td>x6</td> </tr> <tr> <td colspan="2">80*38mm</td> </tr> </table>       | Q        | x6       | 80*38mm |  | <table border="1"> <tr> <td>R</td> <td>x4</td> </tr> <tr> <td colspan="2">173*173mm</td> </tr> </table>                      | R | x4      | 173*173mm |  | <table border="1"> <tr> <td>S</td> <td>x4</td> </tr> <tr> <td colspan="2">160*160mm</td> </tr> </table>      | S  | x4      | 160*160mm |  | <table border="1"> <tr> <td>T</td> <td>x1</td> </tr> <tr> <td colspan="2">M6</td> </tr> </table>           | T | x1       | M6        |  |
| Q  | x6       |          |         |  |   |   |         |           |  |  |    |         |           |  |   |   |          |           |  |
| 80*38mm  |          |          |         |  |   |   |         |           |  |  |    |         |           |  |   |   |          |           |  |
| R  | x4       |          |         |  |   |   |         |           |  |  |    |         |           |  |   |   |          |           |  |
| 173*173mm  |          |          |         |  |   |   |         |           |  |  |    |         |           |  |   |   |          |           |  |
| S  | x4       |          |         |  |   |   |         |           |  |  |    |         |           |  |   |   |          |           |  |
| 160*160mm  |          |          |         |  |   |   |         |           |  |  |    |         |           |  |   |   |          |           |  |
| T  | x1       |          |         |  |   |   |         |           |  |  |    |         |           |  |   |   |          |           |  |
| M6   |          |          |         |  |   |   |         |           |  |  |    |         |           |  |   |   |          |           |  |
| <table border="1"> <tr> <td>U</td> <td>x2</td> </tr> <tr> <td colspan="2">M8</td> </tr> </table>            | U        | x2       | M8      |  | <table border="1"> <tr> <td>V</td> <td>x8</td> </tr> <tr> <td colspan="2">ø8*180</td> </tr> </table>                         | V | x8      | ø8*180    |  | <table border="1"> <tr> <td>W</td> <td>x18</td> </tr> <tr> <td colspan="2">300*93mm</td> </tr> </table>      | W  | x18     | 300*93mm  |  | <table border="1"> <tr> <td>X</td> <td>x4</td> </tr> <tr> <td colspan="2">M6*89mm</td> </tr> </table>      | X | x4       | M6*89mm   |  |
| U  | x2       |          |         |  |   |   |         |           |  |  |    |         |           |  |   |   |          |           |  |
| M8   |          |          |         |  |   |   |         |           |  |  |    |         |           |  |   |   |          |           |  |
| V  | x8       |          |         |  |   |   |         |           |  |  |    |         |           |  |   |   |          |           |  |
| ø8*180   |          |          |         |  |   |   |         |           |  |  |    |         |           |  |   |   |          |           |  |
| W  | x18      |          |         |  |   |   |         |           |  |  |    |         |           |  |   |   |          |           |  |
| 300*93mm   |          |          |         |  |   |   |         |           |  |  |    |         |           |  |   |   |          |           |  |
| X  | x4       |          |         |  |   |   |         |           |  |  |    |         |           |  |   |   |          |           |  |
| M6*89mm  |          |          |         |  |   |   |         |           |  |  |    |         |           |  |   |   |          |           |  |
| <table border="1"> <tr> <td>Y</td> <td>x88+(2)</td> </tr> <tr> <td colspan="2">M4*60mm</td> </tr> </table>  | Y        | x88+(2)  | M4*60mm |  | <table border="1"> <tr> <td>Z</td> <td>x3</td> </tr> <tr> <td colspan="2">200*100mm</td> </tr> </table>  <p>Asphalt tile</p> | Z | x3      | 200*100mm |  | <table border="1"> <tr> <td>Z1</td> <td>x32+(1)</td> </tr> <tr> <td colspan="2">M6*55mm</td> </tr> </table>  | Z1 | x32+(1) | M6*55mm   |  |   |   |          |           |  |
| Y  | x88+(2)  |          |         |  |   |   |         |           |  |  |    |         |           |  |   |   |          |           |  |
| M4*60mm  |          |          |         |  |   |   |         |           |  |  |    |         |           |  |   |   |          |           |  |
| Z  | x3       |          |         |  |   |   |         |           |  |  |    |         |           |  |   |   |          |           |  |
| 200*100mm  |          |          |         |  |   |   |         |           |  |  |    |         |           |  |   |   |          |           |  |
| Z1   | x32+(1)  |          |         |  |   |   |         |           |  |  |    |         |           |  |   |   |          |           |  |
| M6*55mm  |          |          |         |  |   |   |         |           |  |  |    |         |           |  |   |   |          |           |  |

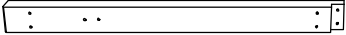
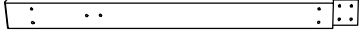

Step1



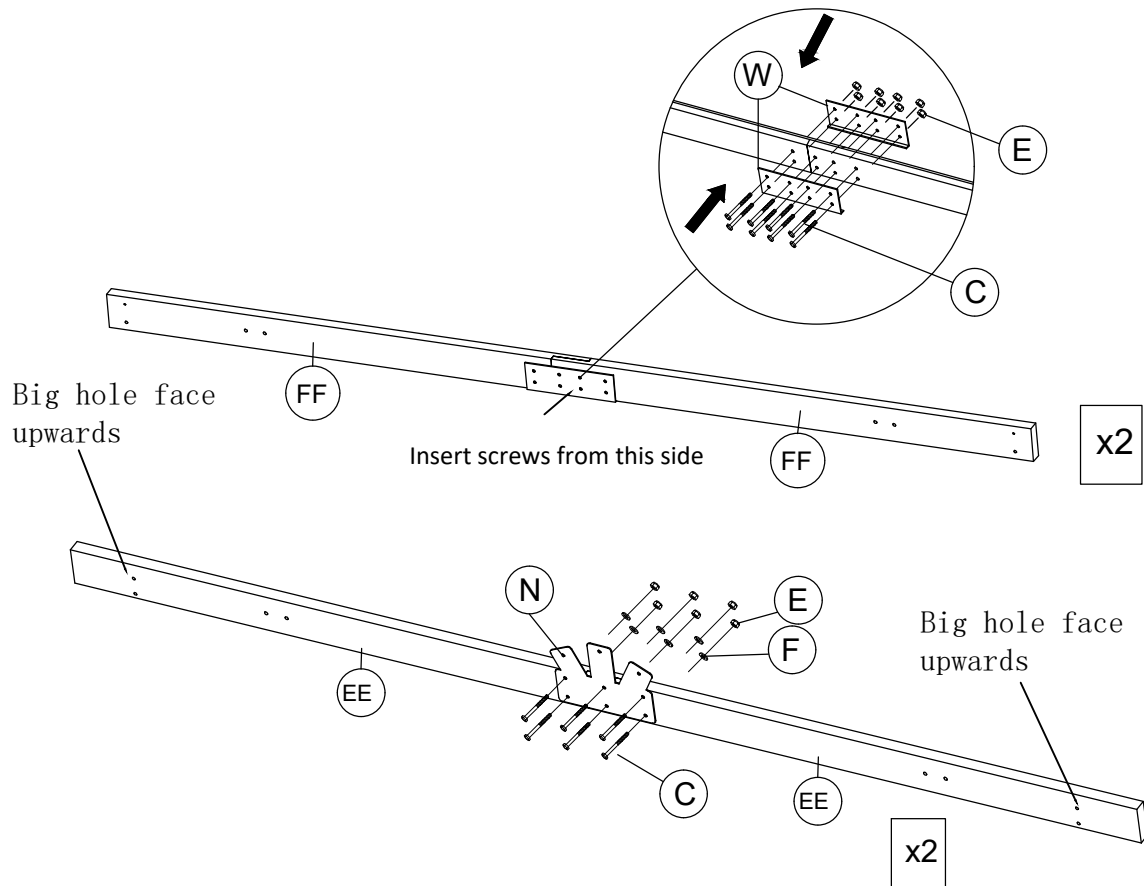
|  |  |  |
|--|--|--|
|  <p>II x2</p> |  <p>JJ x2</p> |  <p>KK x2</p> |
|  <p>LL x2</p> |  <p>MM x2</p> |  <p>NN x2</p> |
|  <p>VV x2</p> |  |  |

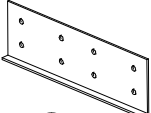

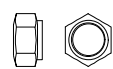
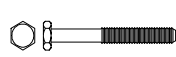
Step2



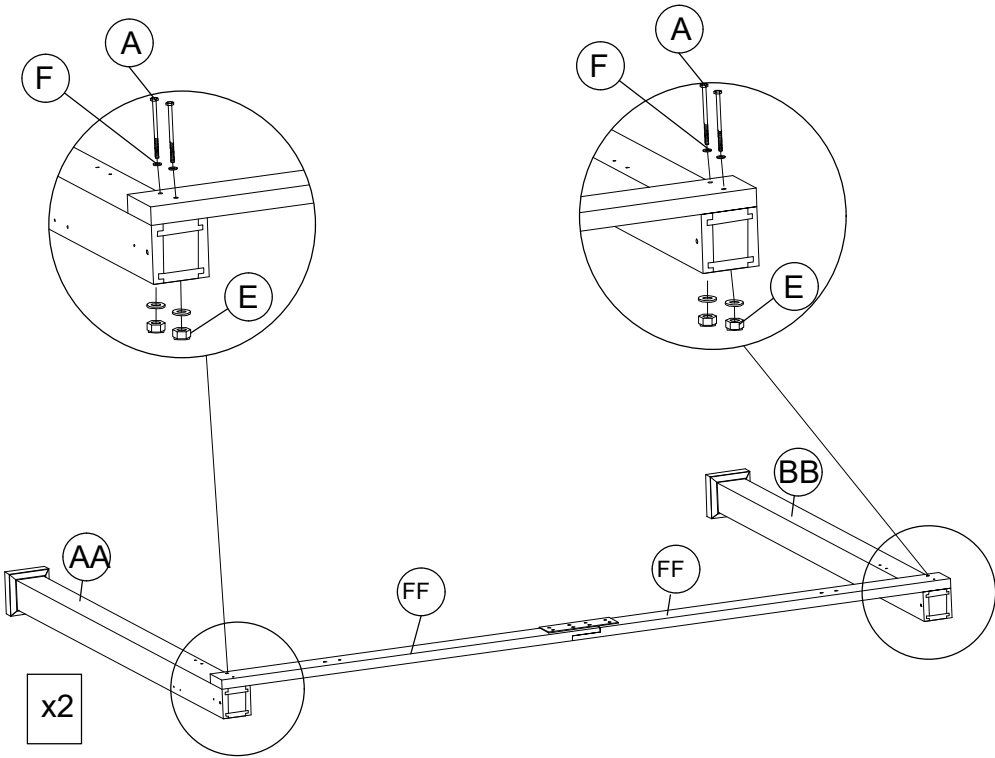
|   |    |   |    |   |    |
|---|----|---|----|---|----|
| EE  | x4 | FF  | x4 | N   | x2 |
|   |    |   |    | 300*230mm   |    |
|  |    |  |    |  |    |



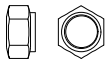
Step3

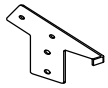


|   |          |   |           |  |    |   |         |
|---|----------|---|-----------|--|----|---|---------|
|  | 300*93mm |  | ø20*1.4mm |  | M8 |  | M8*55mm |
| (W) 4x  |          | (F) 12x   |           | (E) 28x  |    | (C) 28x   |         |





|  |  |  |
|--|--|--|
| <br>A 8x M8*175mm | <br>F 16x $\phi 20 \times 1.4 \text{mm}$ | <br>E 8x M8 |
|--|--|--|

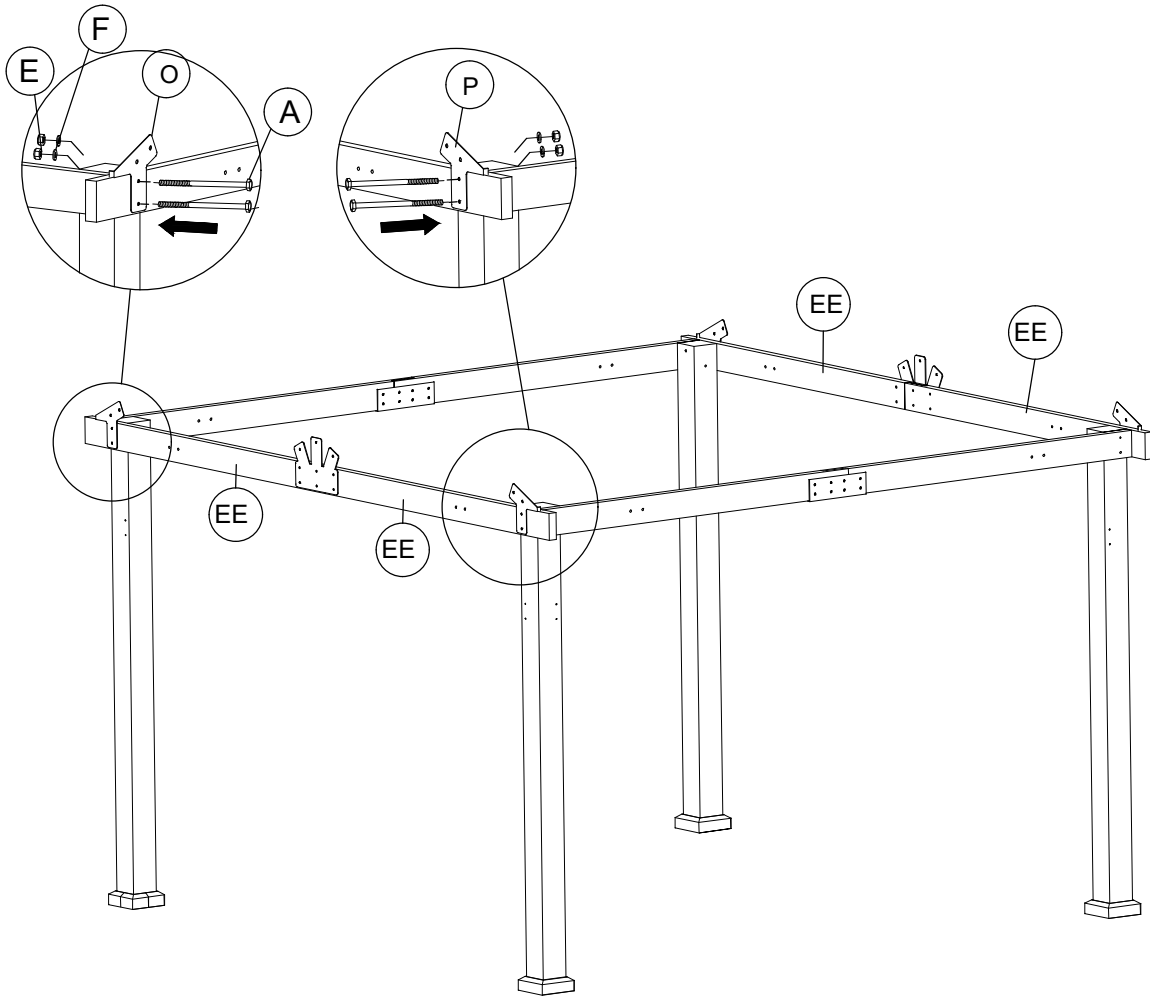


O x2  
200\*208mm



P x2  
200\*208mm

Step5



A 8x M8\*175mm



F 8x

ø20\*1.4mm



E 8x

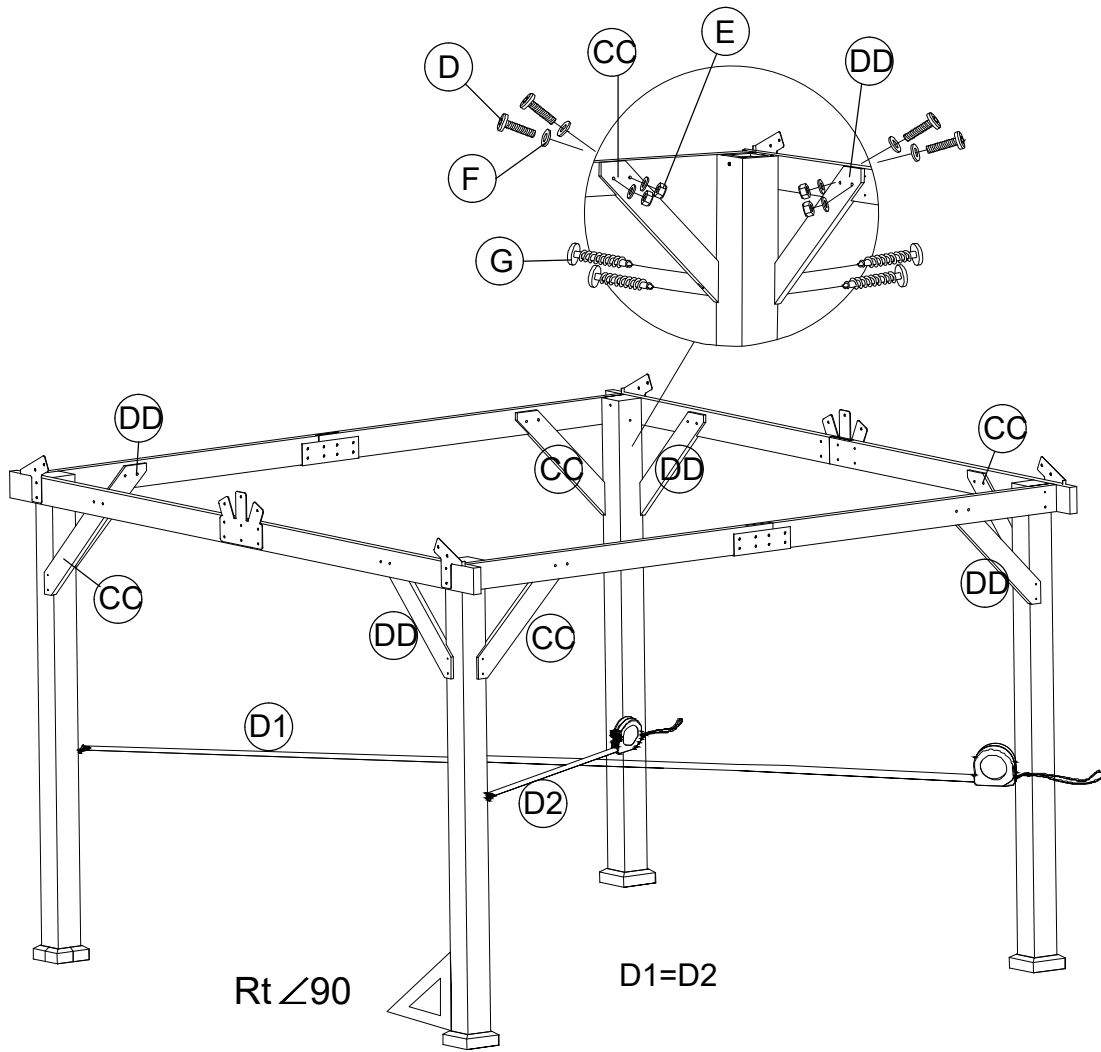
M8

DD X4

CC X4



Step6



M8\*65mm

(D) 16x



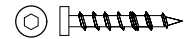
ø20\*1.4mm

(F) 32x



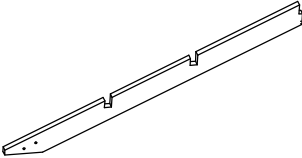
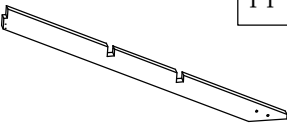
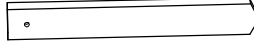
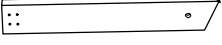
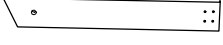
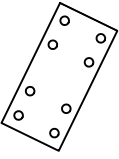
M8

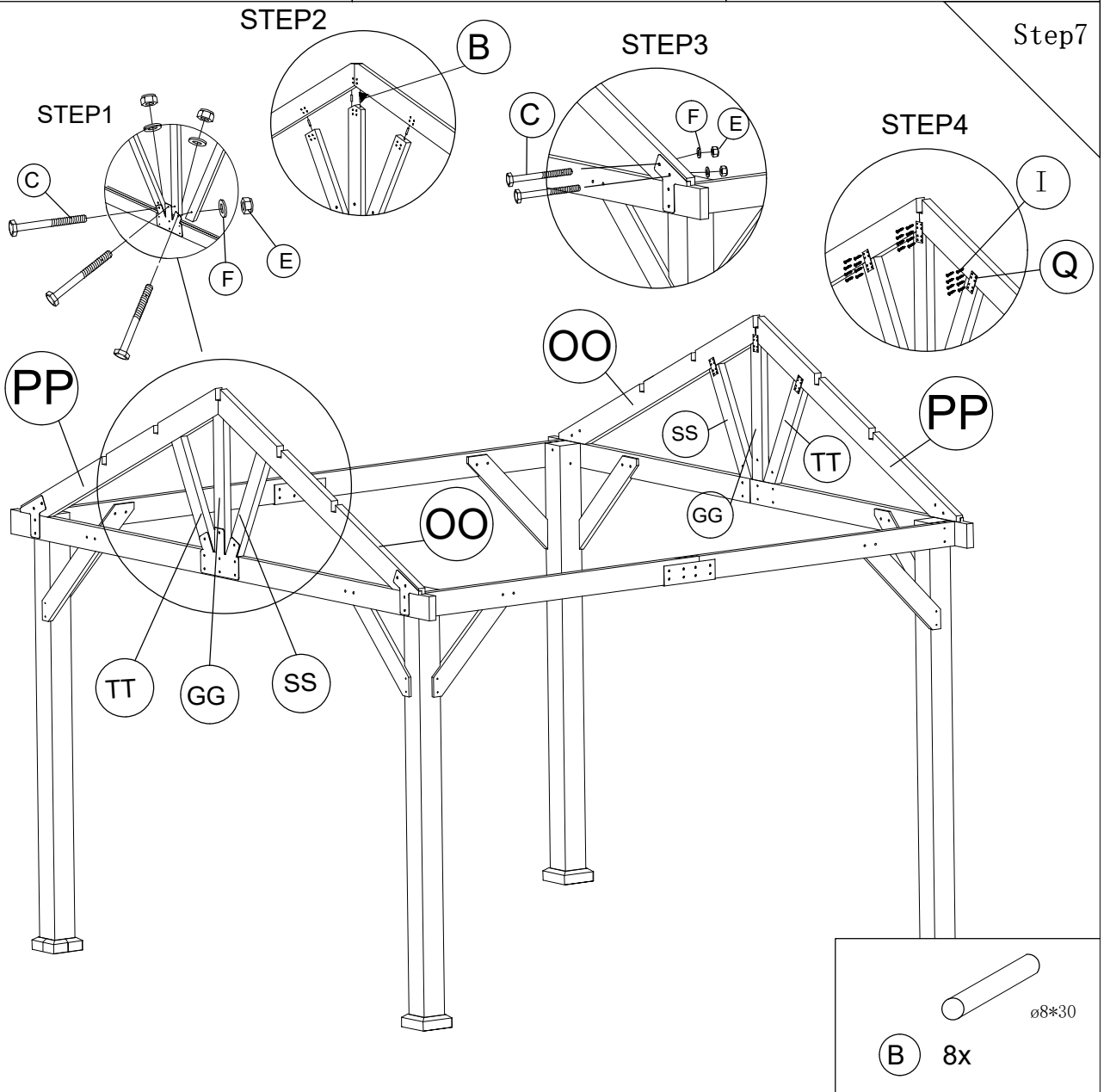
(E) 16x

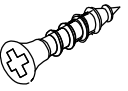
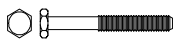

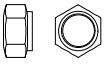


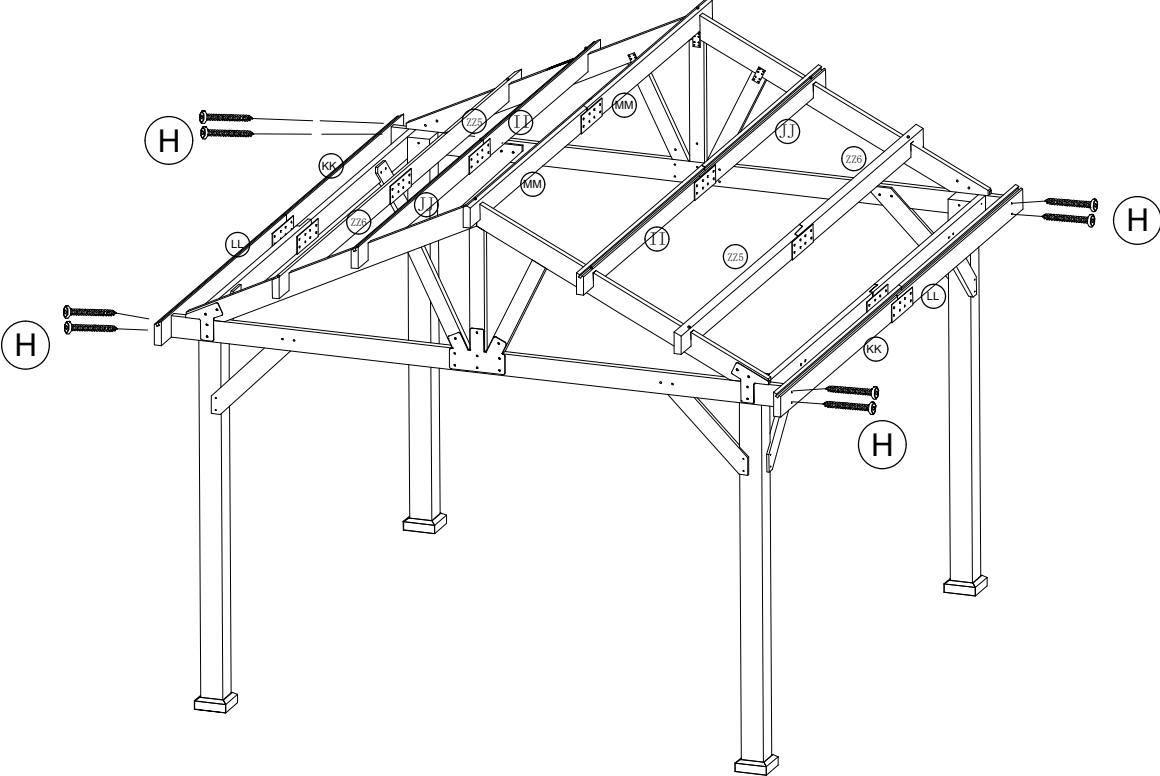
M6\*40mm

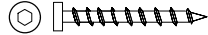
(G) 16x


|   |       |   |       |   |                 |
|---|-------|---|-------|---|-----------------|
|  | OO X2 |  | PP X2 |  | GG X2           |
|  | SS X2 |  | TT X2 |  | Q x6<br>80*38mm |

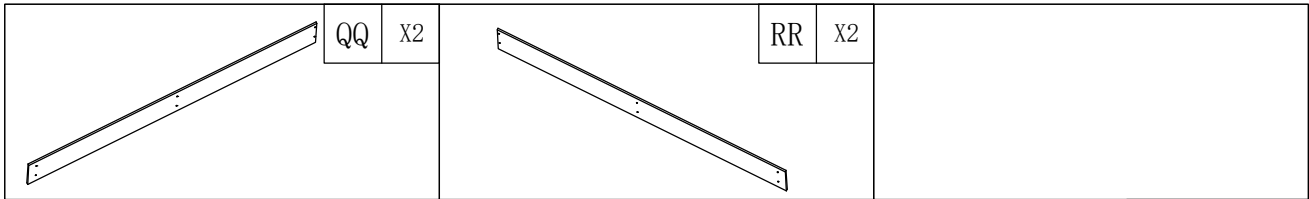


|   |   |  |  |
|---|---|--|--|
| <br>M4*20mm<br>I 48x | <br>M8*55mm<br>C 14x | <br>ø20*1.4mm<br>F 14x | <br>M8<br>E 14x |
|---|---|--|--|

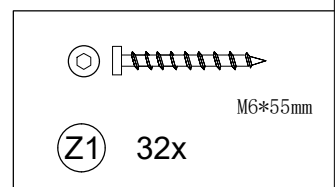
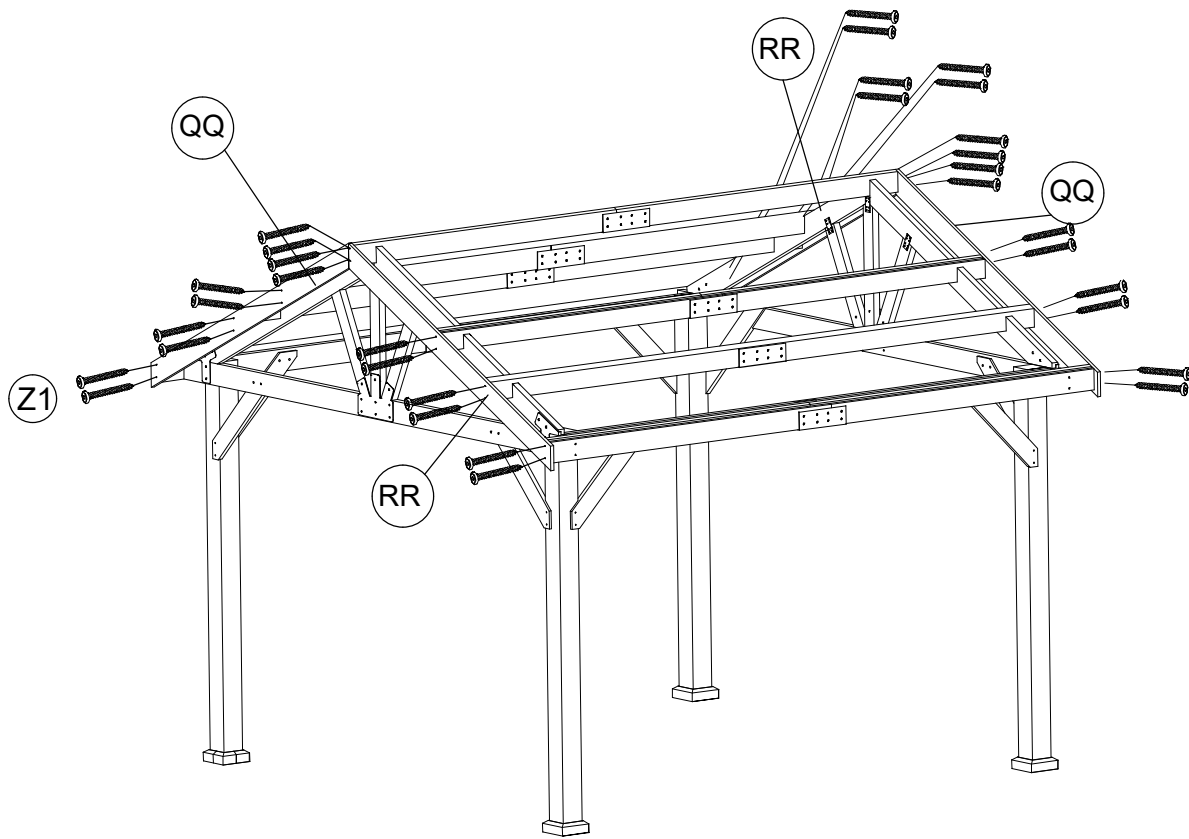


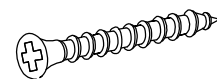
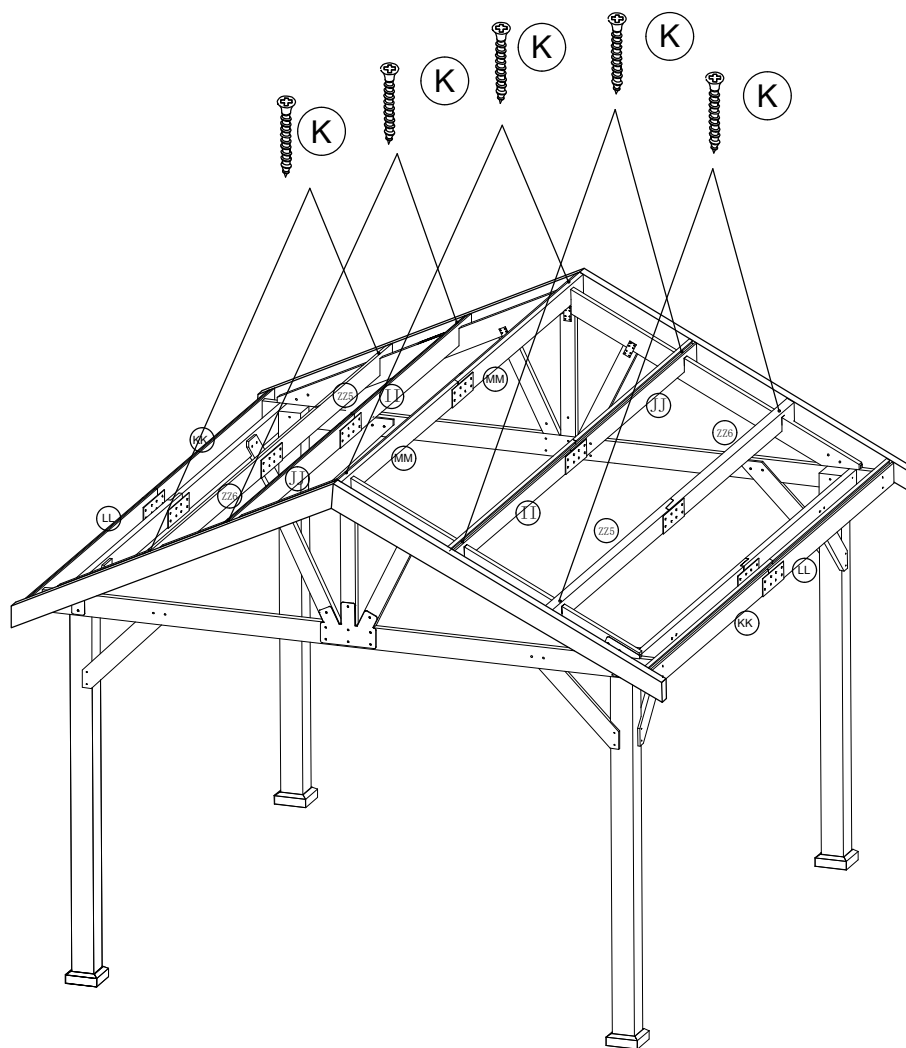
 M6\*65mm

 8x



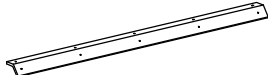

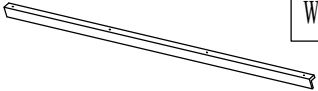
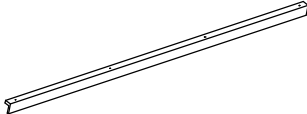
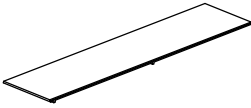
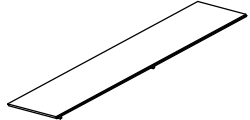
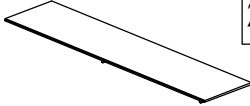
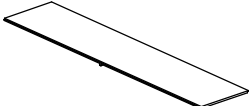
Step9

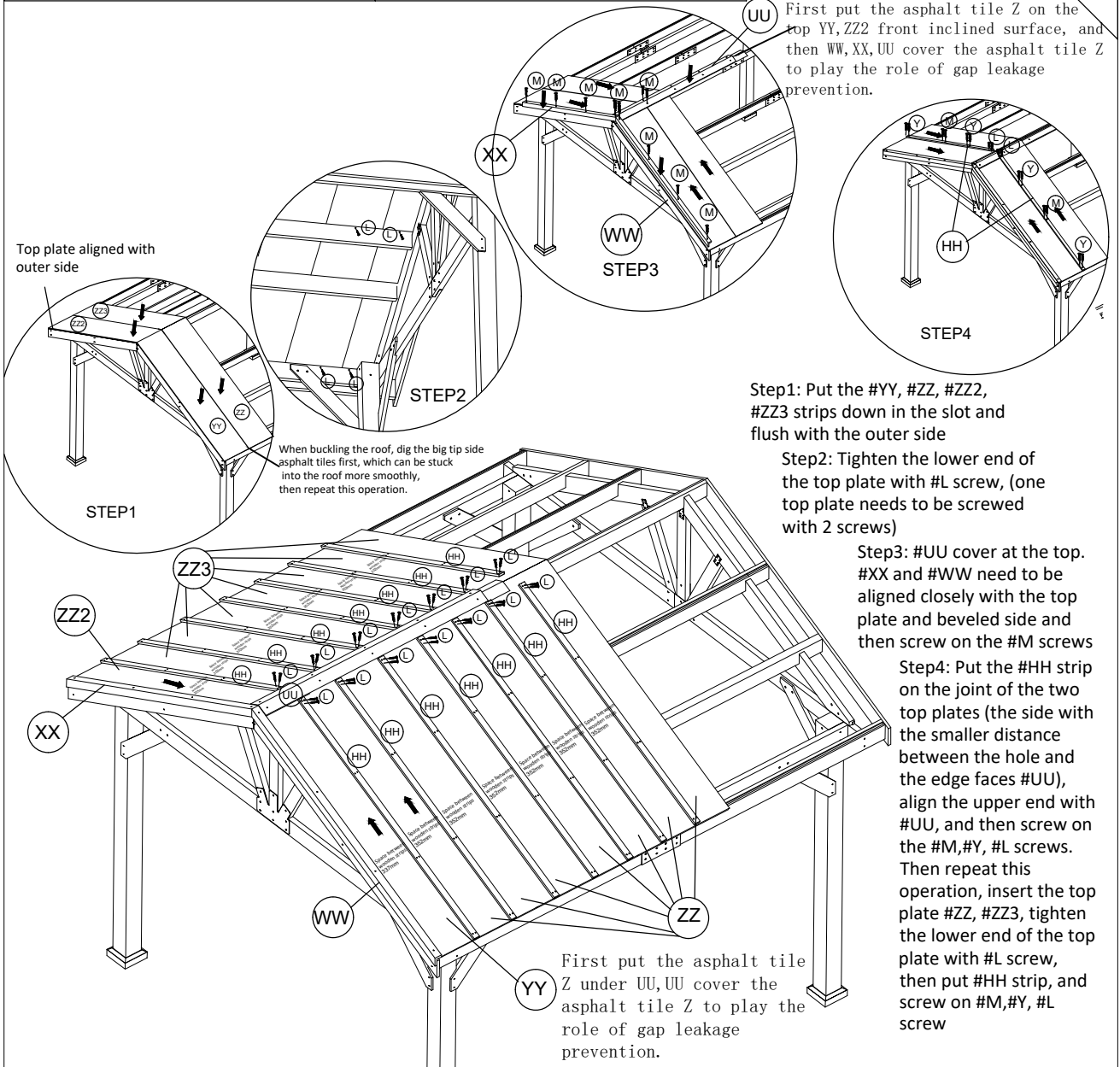



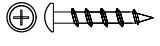
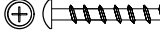
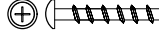


(K) 10x

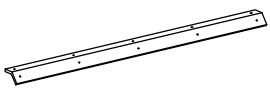

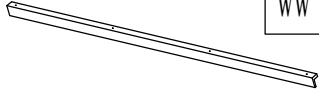
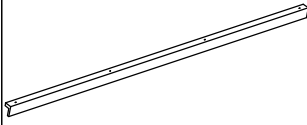
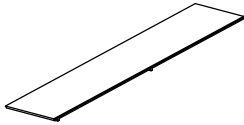
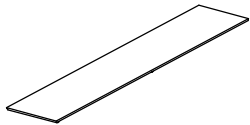
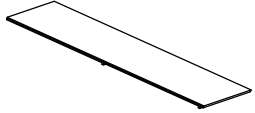
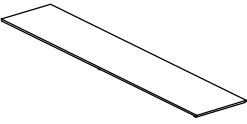
M5\*80mm

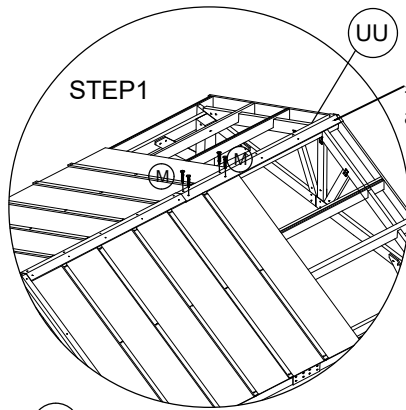
|  |  |   |
|--|--|---|
|  UU X1  |  HH X14 |  WW X1 |
|  XX X1  |  YY X1  |  ZZ X7 |
|  ZZ2 X1 |  ZZ3 X7 | Step11  |



|  |   |  |   |
|--|---|--|---|
| <br>Asphalt tile<br><b>Z</b> 2x 200*100mm | <br><b>L</b> 60x M4*25mm | <br><b>M</b> 46x M4*50mm | <br><b>Y</b> 56x M4*60mm |
|--|---|--|---|

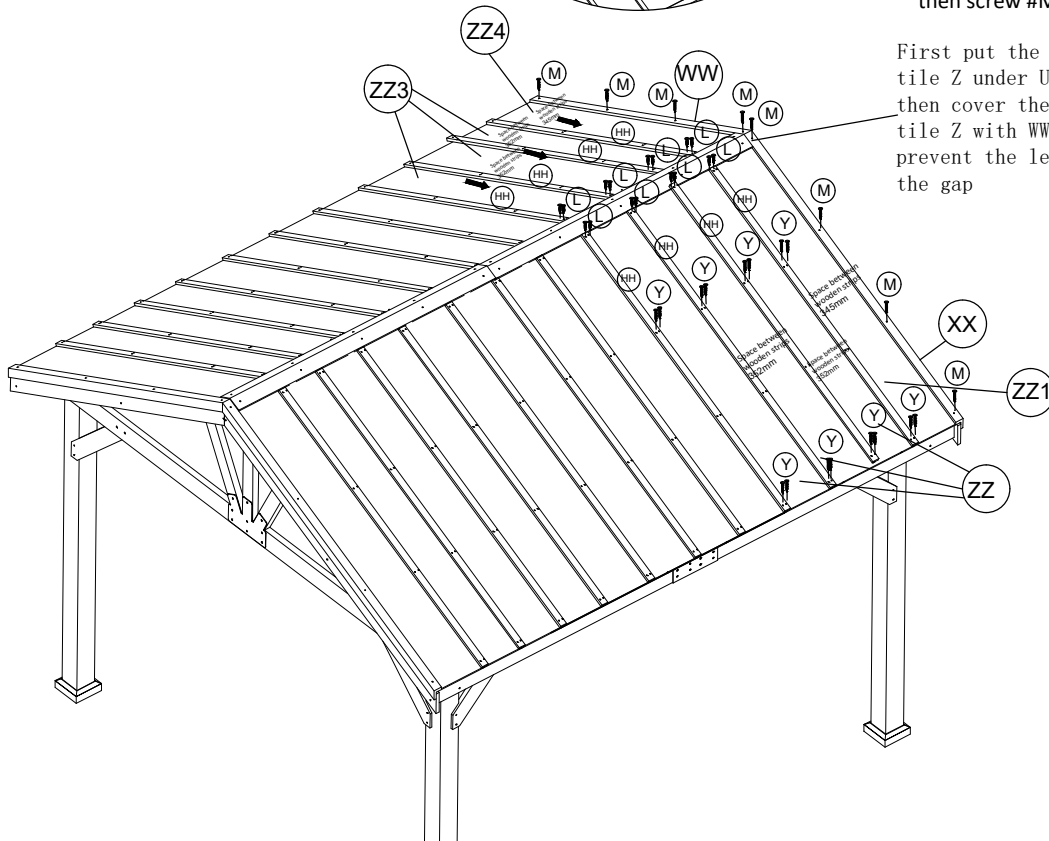


|   |        |   |        |   |        |
|---|--------|---|--------|---|--------|
|  | UU X1  |  | HH X8  |  | WW X1  |
|  | XX X1  |  | ZZ X3  |  | ZZ1 X1 |
|  | ZZ3 X3 |  | ZZ4 X1 | Step12  |        |

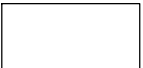
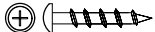
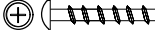
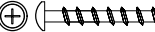


#UU top cover asphalt shingles, and long side facing outwards

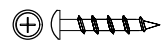
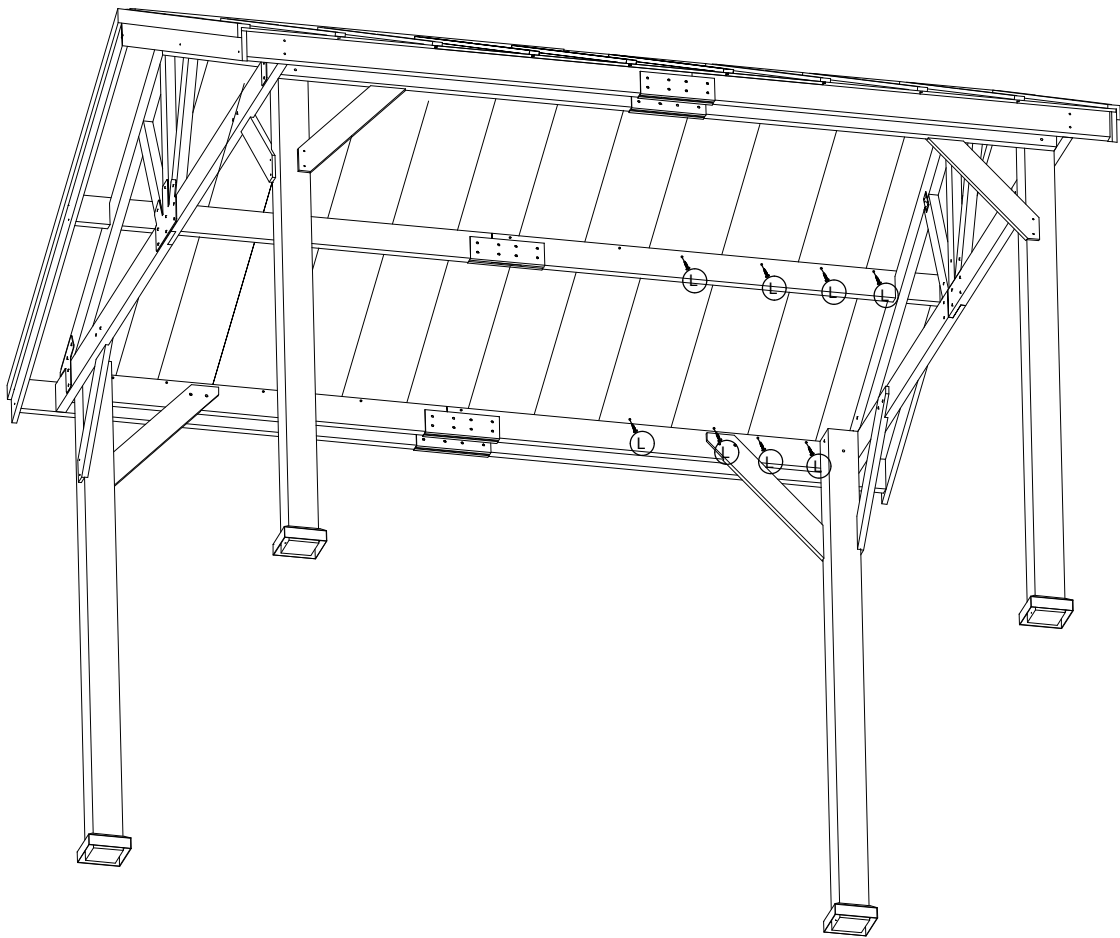
Step1: #UU cover at the top. Repeat the previous step, put the #HH strip, screw #M, #Y, #L screws, align the #XX, #WW cover with the top plate and the beveled side, then screw #M screws



First put the asphalt tile Z under UU, and then cover the asphalt tile Z with WW, XX, UU to prevent the leakage of the gap

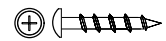
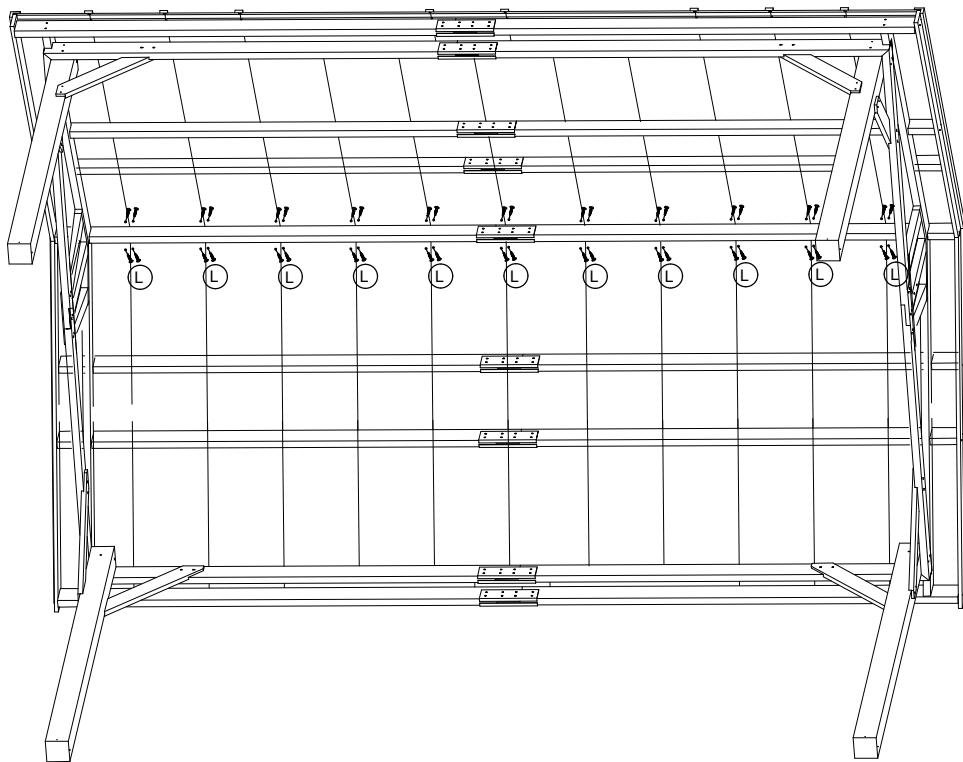
|  |   |  |   |
|--|---|--|---|
| <br>Asphalt tile<br><b>Z</b> 1x 200*100mm | <br><b>L</b> 16x M4*25mm | <br><b>M</b> 34x M4*50mm | <br><b>Y</b> 32x M4*60mm |
|--|---|--|---|

Step13



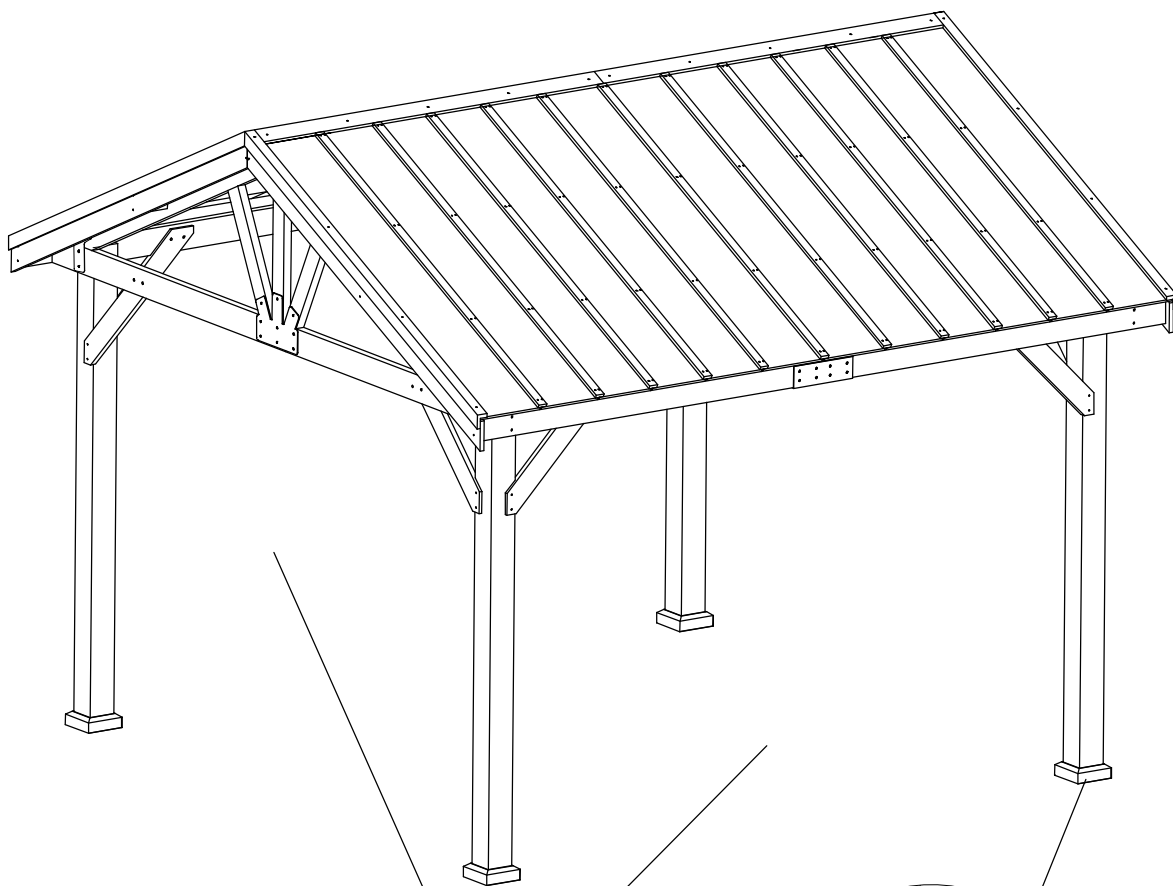
M4\*25mm

L 16x

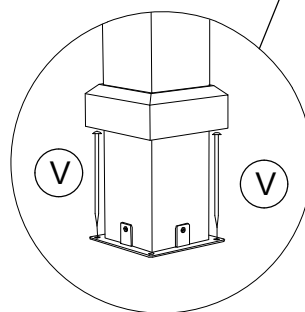
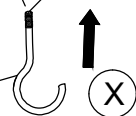


M4\*25mm

L 44x



#X hooks can be freely assembled under the wooden beam



\*You can choose where to mount the hooks according to your needs, but be careful when screwing the hooks into the wood or you may crack the wood slightly



M6\*89mm

(X) 4x



ø8\*180mm

(V) 8x