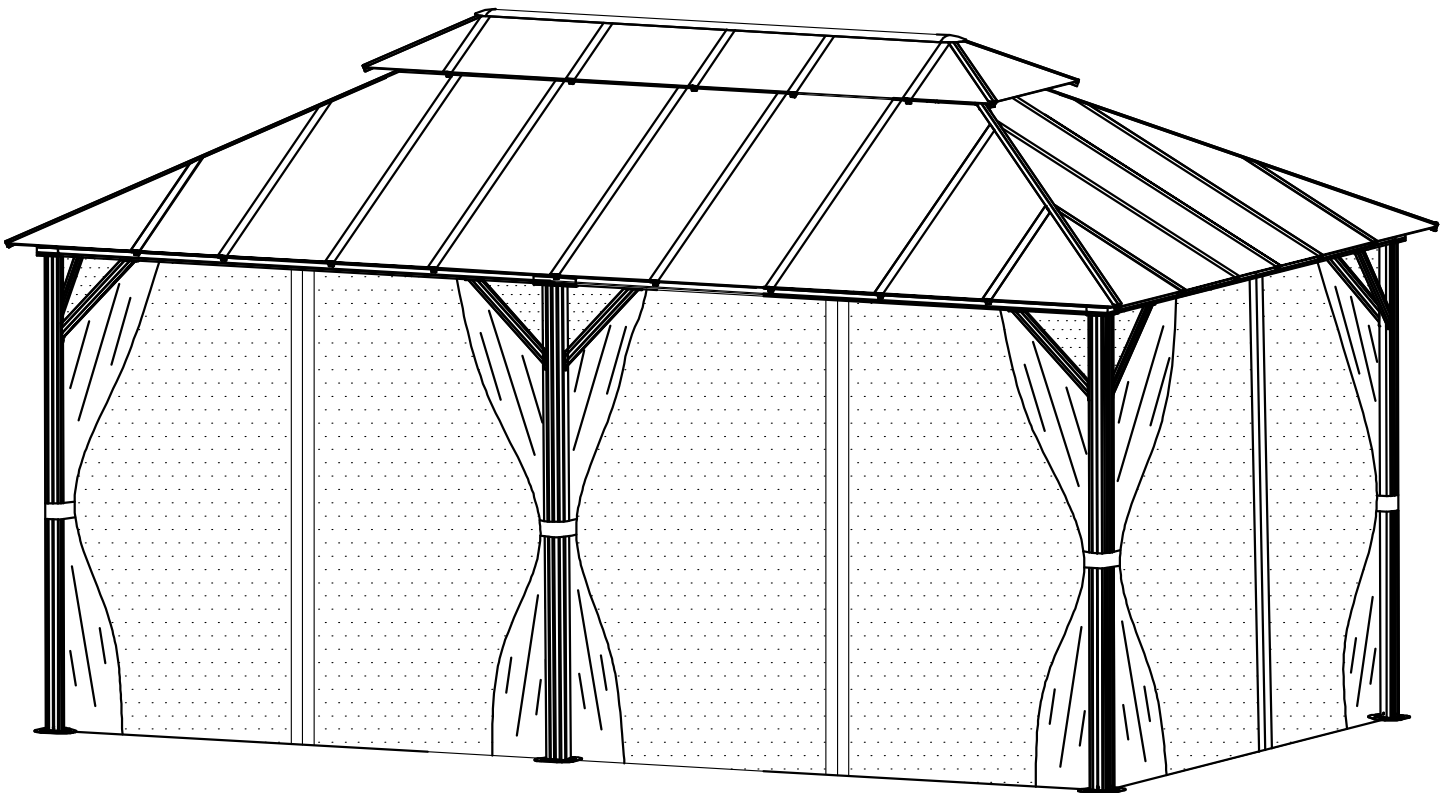


12X20 FT ALUMINUM DOUBLE ROOF GAZEBO



The gazebo comes with 6 boxes. Some times they may be delivered on the different day, please wait 2-3 more days or contact us for help.

Any questions on assembly or parts,
please contact: customer01service@hotmail.com

Safety Information



WARNING: Keep all flame and heat sources away from this tent fabric. This tent is made with fabric that meets CPAI-84 specifications for flame resistance. It is not fireproof. The fabric will burn if left in continuous contact with any flame source. The application of any foreign substance to the tent fabric may render the flame-resistance properties ineffective.



WARNING: When assembling and using this product, basic safety precautions must always be followed to reduce the risk of personal injury and damage to the product or surroundings.



WARNING: This gazebo is NOT a permanent structure and is designed for sunshade and privacy only. The gazebo should only be used in ideal weather conditions. You MUST completely disassemble the gazebo prior to any extreme weather such as heavy thunderstorms, hurricanes, or ice/hail storms. Failure to do so may result in structural or property damage.



CAUTION: Always install the gazebo on the level ground utilizing the ground stakes provided for stability. It is not recommended to permanently anchor this gazebo to a hard surface such as a wood deck or concrete floor.



CAUTION: Gazebo roof is weather-resistant but may leak during precipitation. It is recommended to remove the roof boards if expecting ice or hail storms.



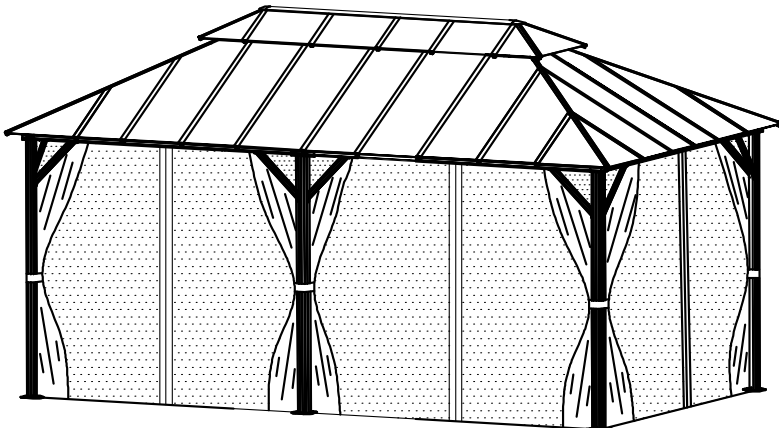
CAUTION: Keep all children and pets away from the assembly area. Begin assembly not less than 6 feet from any obstruction such as fence, garage, house, overhanging branches, clothes line or electrical wires. Some parts may contain sharp edges, wear protective gloves if necessary.

Care Instructions





Before using, wipe with a clean, dry cloth. Do not use bleach or solvents. Treat the frame with liquid wax for maximum protection against UV light and salty, damp air. Clean the roof panels periodically with a mild soap and water. Do not use harsh chemical cleaners as this will damage the panel finish. Please properly tighten all hardware and perform periodic inspections during usage for cracked welds or loose nuts or bolts.

ATTENTION:











1. Please fix all the screws first, do not lock off, after assembling is fully completed, lock all at once finally.
2. Please check the manual carefully and make sure you have received all the parts.
3. If there is any missing, please let us know the letter of the parts you need.
4. If there is any damage, please send clear photos to us, we will check and offer you best solution soon.






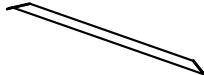











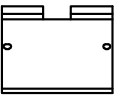
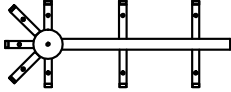
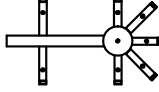
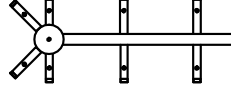
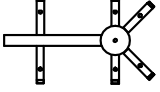










Part List (BOX A)

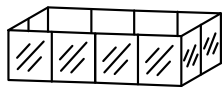
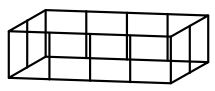










A  Post 4PCS	A1  Post 2PCS	D1  Long Ejector Pin 4PCS	D2  Roof Tube 12PCS	
--	--	--	--	--

Part List (BOX B)

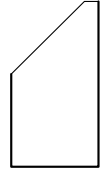
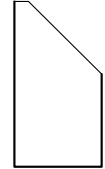
B1  Crossbar 2PCS	B2  Crossbar 2PCS	B5  Crossbar 2PCS	B6  Crossbar 2PCS	E1  Roof Tube 4PCS
E2  Roof Tube 4PCS	I1  Roof Edge 2PCS	I2  Roof Edge 4PCS	I3  Roof Edge 32PCS	I4  Roof Edge 8PCS

Part List (BOX C)

B3		B4		C		C1		D3	
									
Crossbar		Crossbar		Brace		Brace		Short Ejector Pin	
2PCS		2PCS		12PCS		5PCS		4PCS	
E3		E4		F		G		J	
									
Roof Tube		Roof Tube		Roof Tube		Roof Tube		Base Flange	
4PCS		4PCS		4PCS		10PCS		4PCS	
J1		K		K1		L		M	
									
Base Flange		Beam Connection		Top Connection		Bracket		Corner Moulding	
2PCS		6PCS		2PCS		28PCS		4PCS	
M1		N1		N2		N3		N4	
									
Medium Hemming		Long Lower Connector		Short Lower Connector		Long Upper Connector		Short Upper Connector	
2PCS		1PC		1PC		1PC		1PC	
O		P		Q		R		S	
									
Bracket		Roof Cap		Roof Spacer Bracket		Hook		Roof Spacer Bracket	
8PCS		2PCS		2PCS		5PCS		14PCS	
U		V		W		X		X1	
									
Corner Roof Bracket		Side Roof Bracket		Hook		Hook Stopper		Middle Pull Tab	
8PCS		38PCS		128PCS		12PCS		4PCS	

Y  Curtain 1PC	Z 包装太鼓建 议移入B箱  Mosquito Net 1PC	Z1  Roof Mosquito Net 2PCS			
#1	#2	#3	#4	#5	
 M6x15 Bolt 167PCS	 M6x30 Bolt+Nut 60PCS	 M4x10 Self Tapping Screw 12PCS	 M6x20 Bolt+Nut 46PCS	 M6 Nut 16PCS	
#6	#7	#8	#9		
 Stake 6PCS	 Wrench 1PC	 Wrench 1PC	 Screwdriver 1PC		


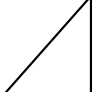
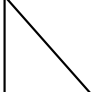
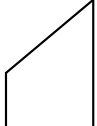
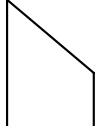
Part List (BOX D)

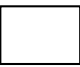
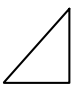
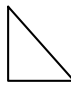
AA  Roof Panel 4PCS	BB  Roof Panel 4PCS			
--	--	--	--	--

Part List (BOX E)

FF  Roof Panel 8PCS				
--	--	--	--	--

Part List (BOX F)

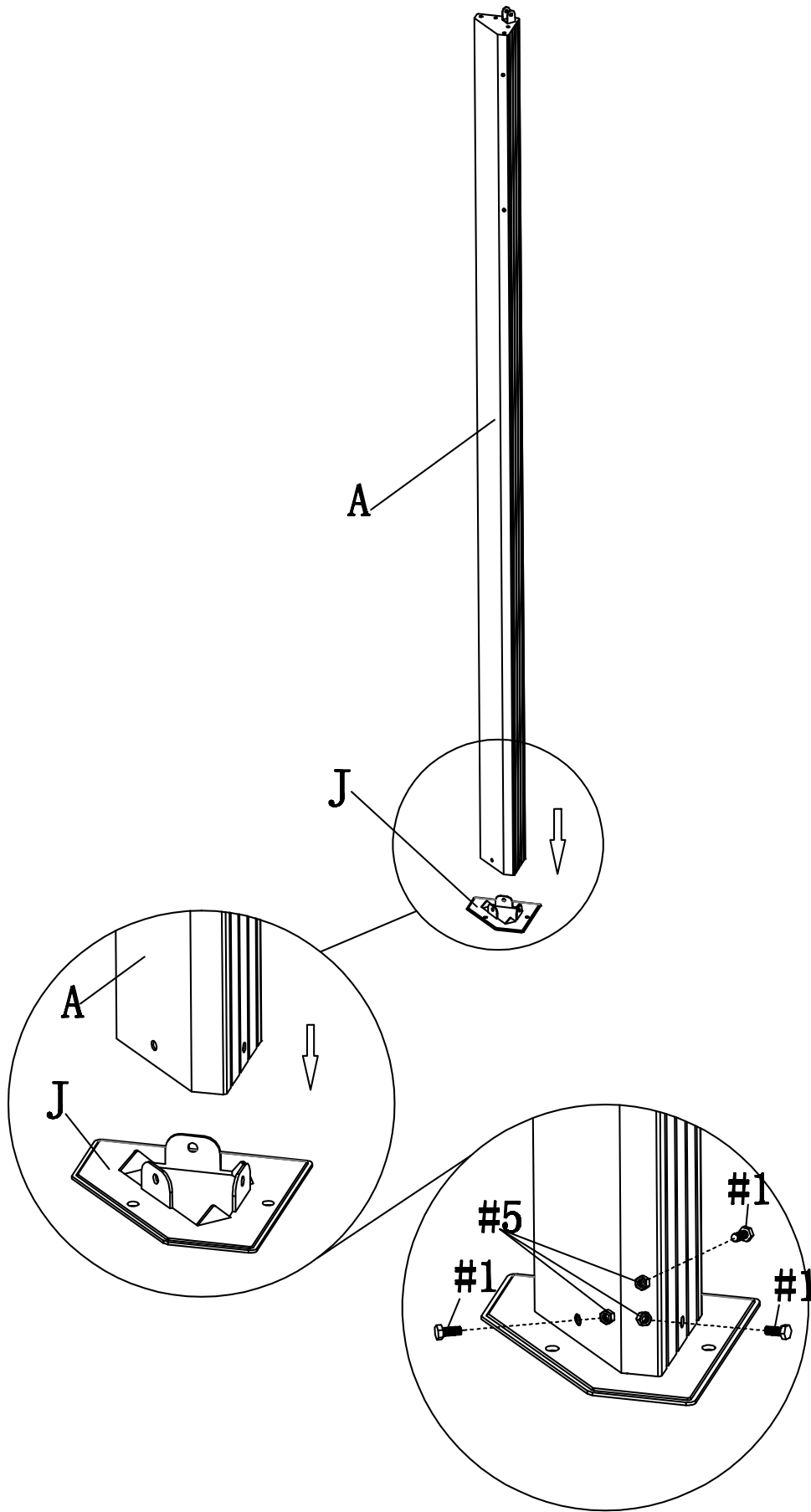
CC  Roof Panel 2PCS	DD  Roof Panel 4PCS	EE  Roof Panel 4PCS	GG  Roof Panel 4PCS	HH  Roof Panel 4PCS
---	--	--	--	--

II  Roof Panel	JJ  Roof Panel	KK  Roof Panel
8PCS	2PCS	2PCS

Assembly Step

STEP 1

A*4
J*4
#1*12
#5*12

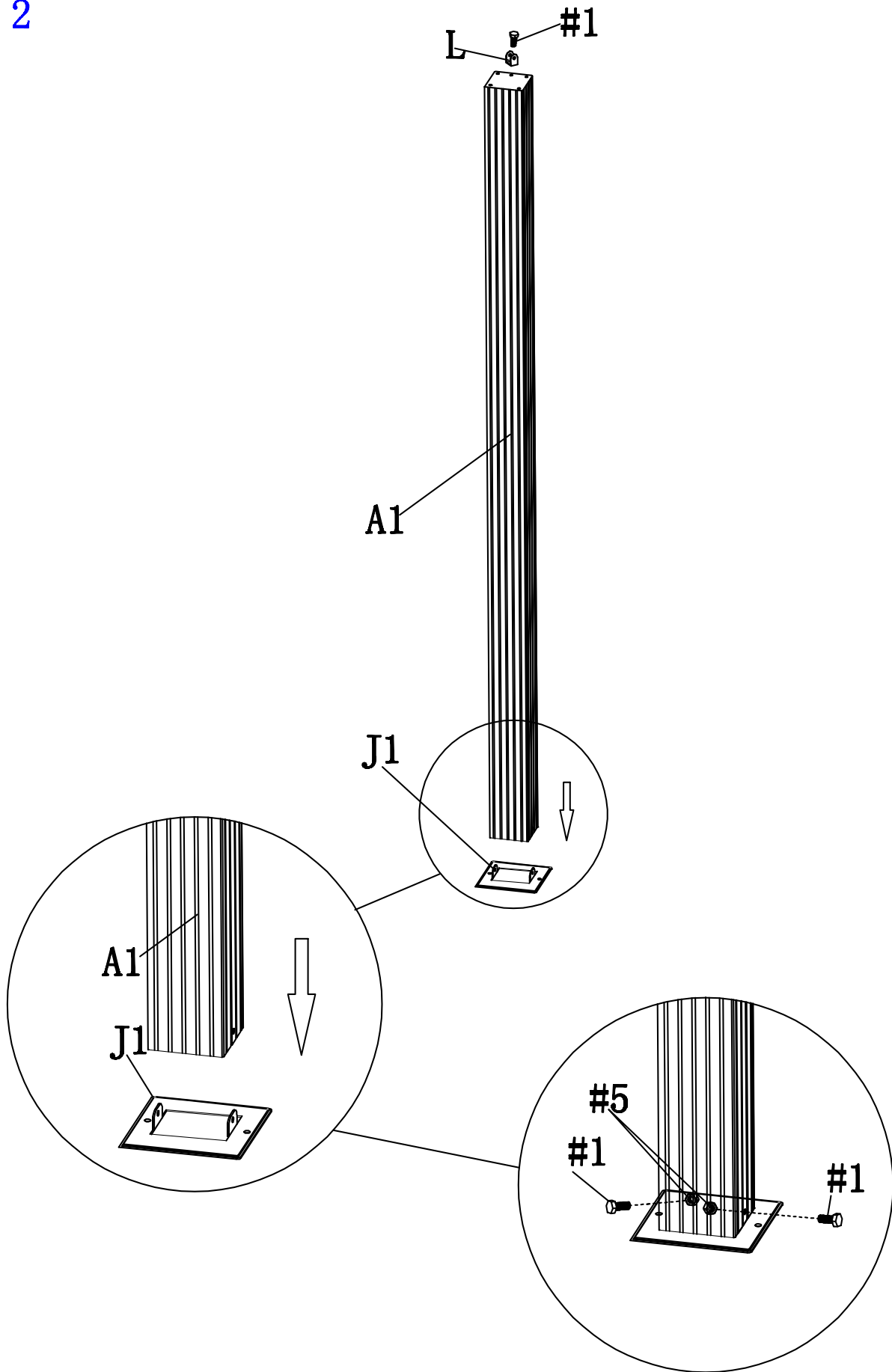


Install a base flange(J) to the bottom of a post(A) using bolts(#1) and nuts(#5). Repeat the step for all other A posts.

Assembly Step

STEP 2

A1*2
J1*2
L*2
#1*6
#5*4

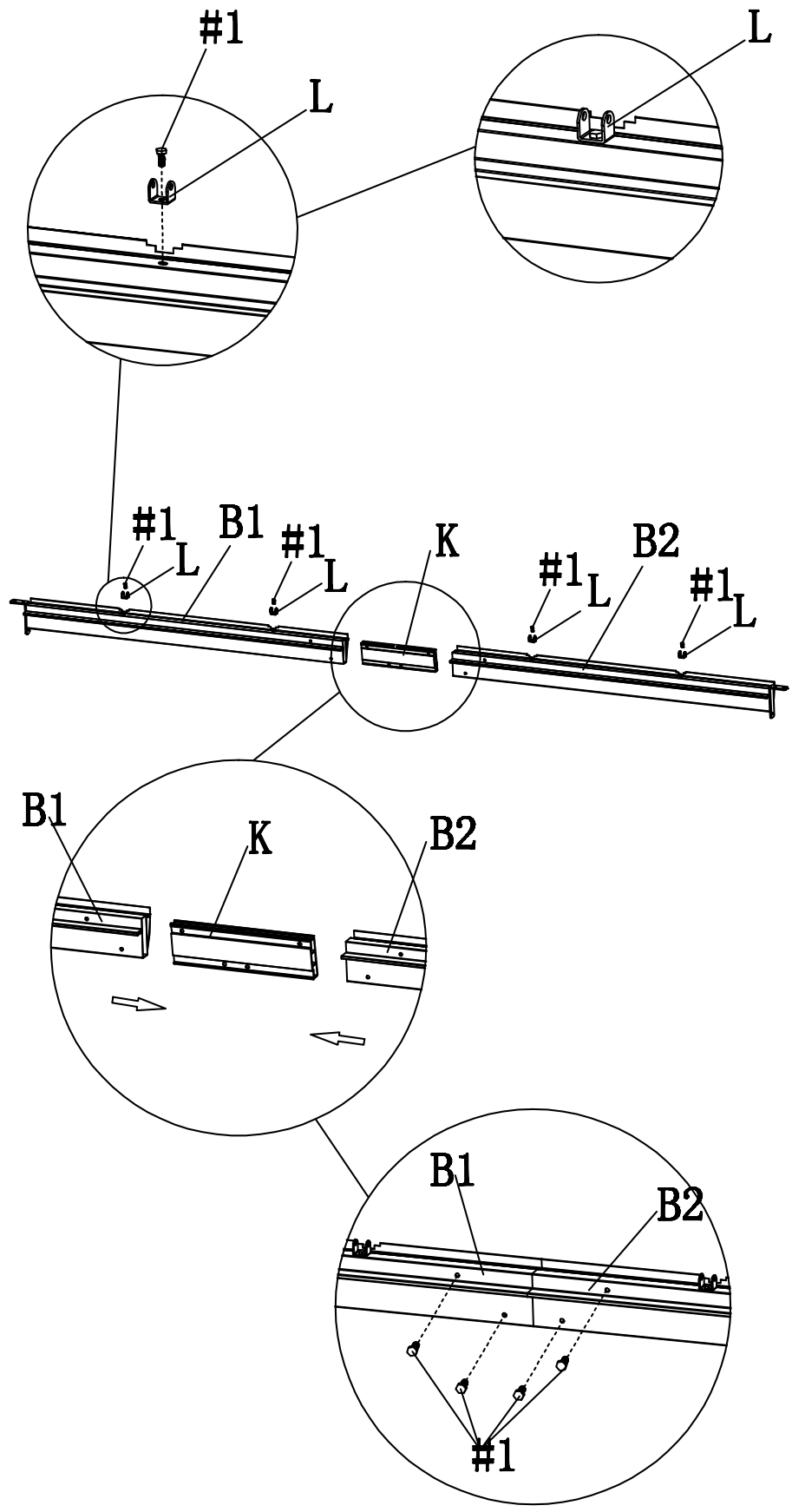


Use Bolt(#1) to fix Bracket(L) to the upper Post(A1) middle hole position,
Install a base flange(J1) to the bottom of a post(A1) using bolts(#1)
and nuts(#5). Repeat the step for all other A1 posts.

Assembly Step

STEP 3

B1*2
B2*2
K*2
L*8
#1*16

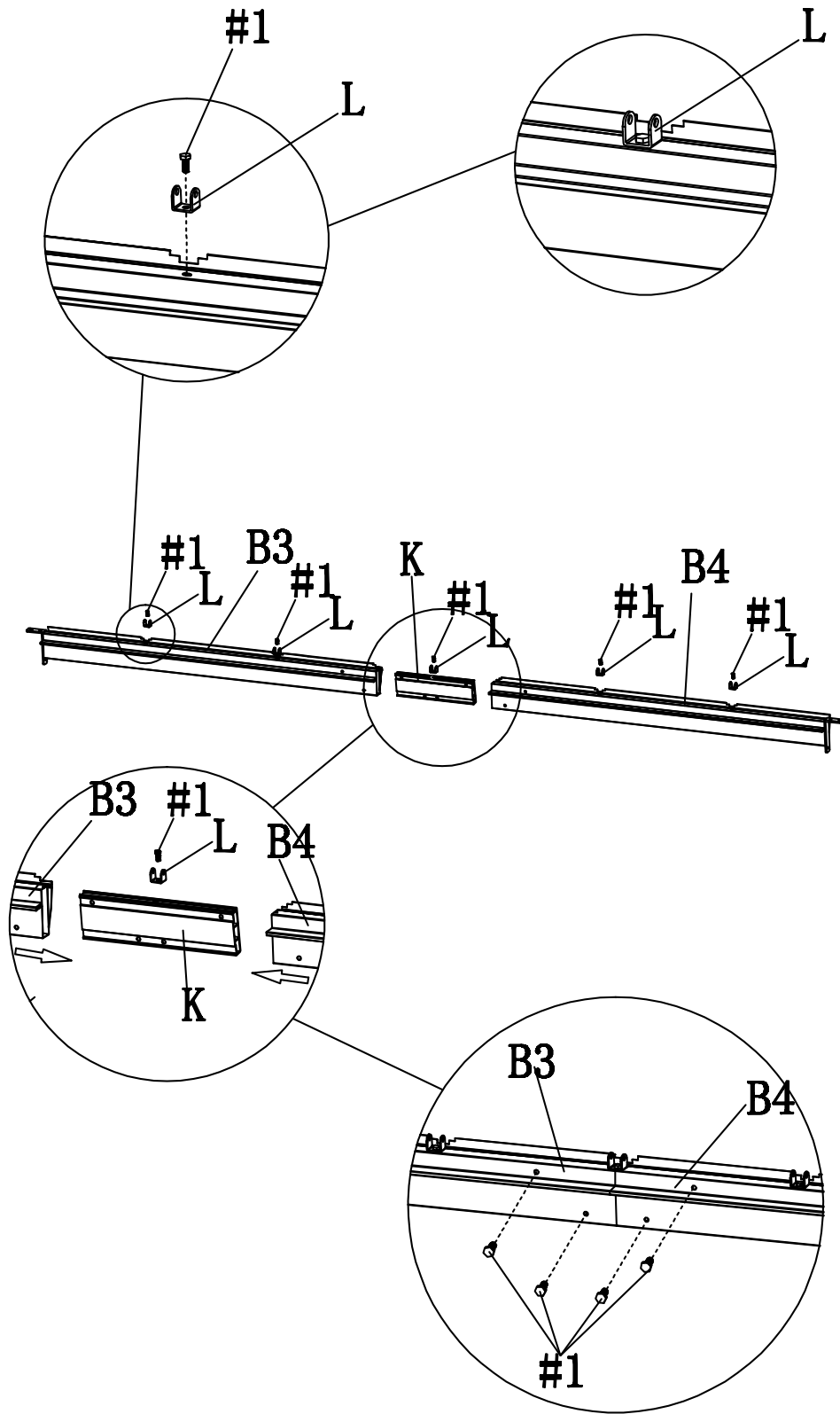


Join crossbars(B1) and (B2) by using connector(K) and bolts(#1).

Assembly Step

STEP 4

B3*2
B4*2
K*2
L*10
#1*18

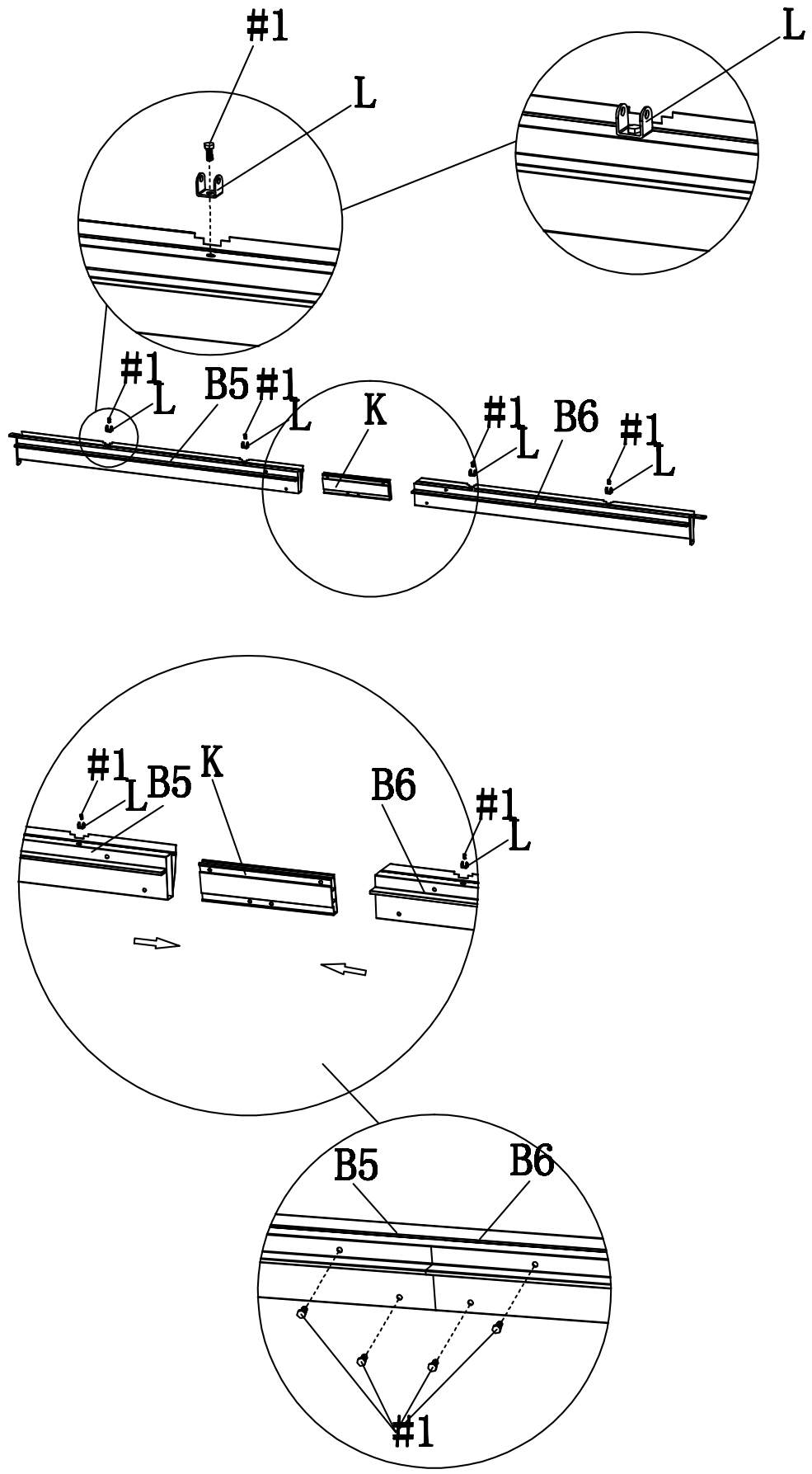


Join crossbars (B3) and (B4) by using connector (K) and bolts (#1).

Assembly Step

STEP 5

B5*2
B6*2
K*2
L*8
#1*16

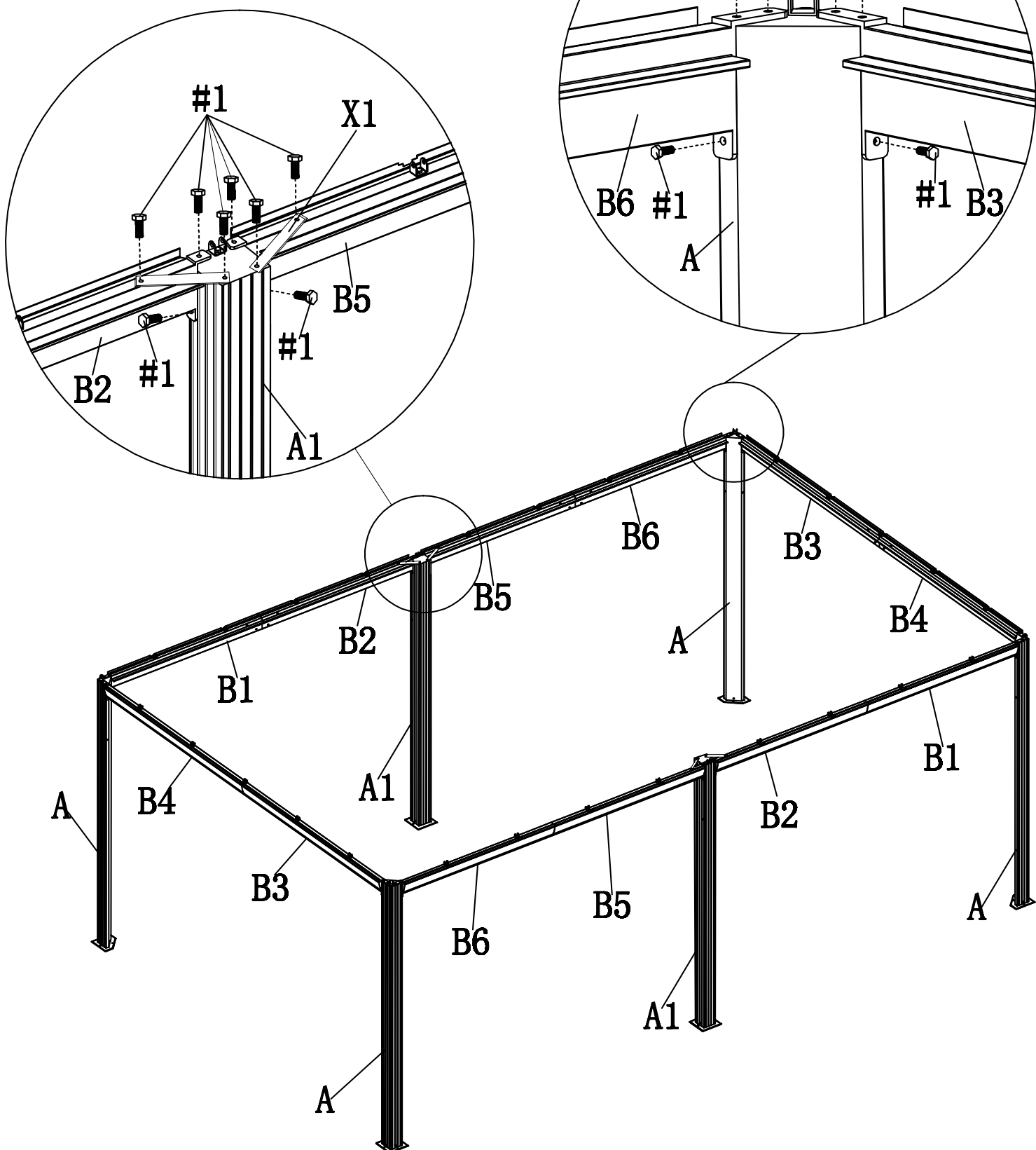


Join crossbars(B5) and (B6) by the use of connector(K) and bolts(#1).
Take care to fix at middle point a bracket(L) using a bolt(#1).

Assembly Step

STEP 6

X1*4
#1*40

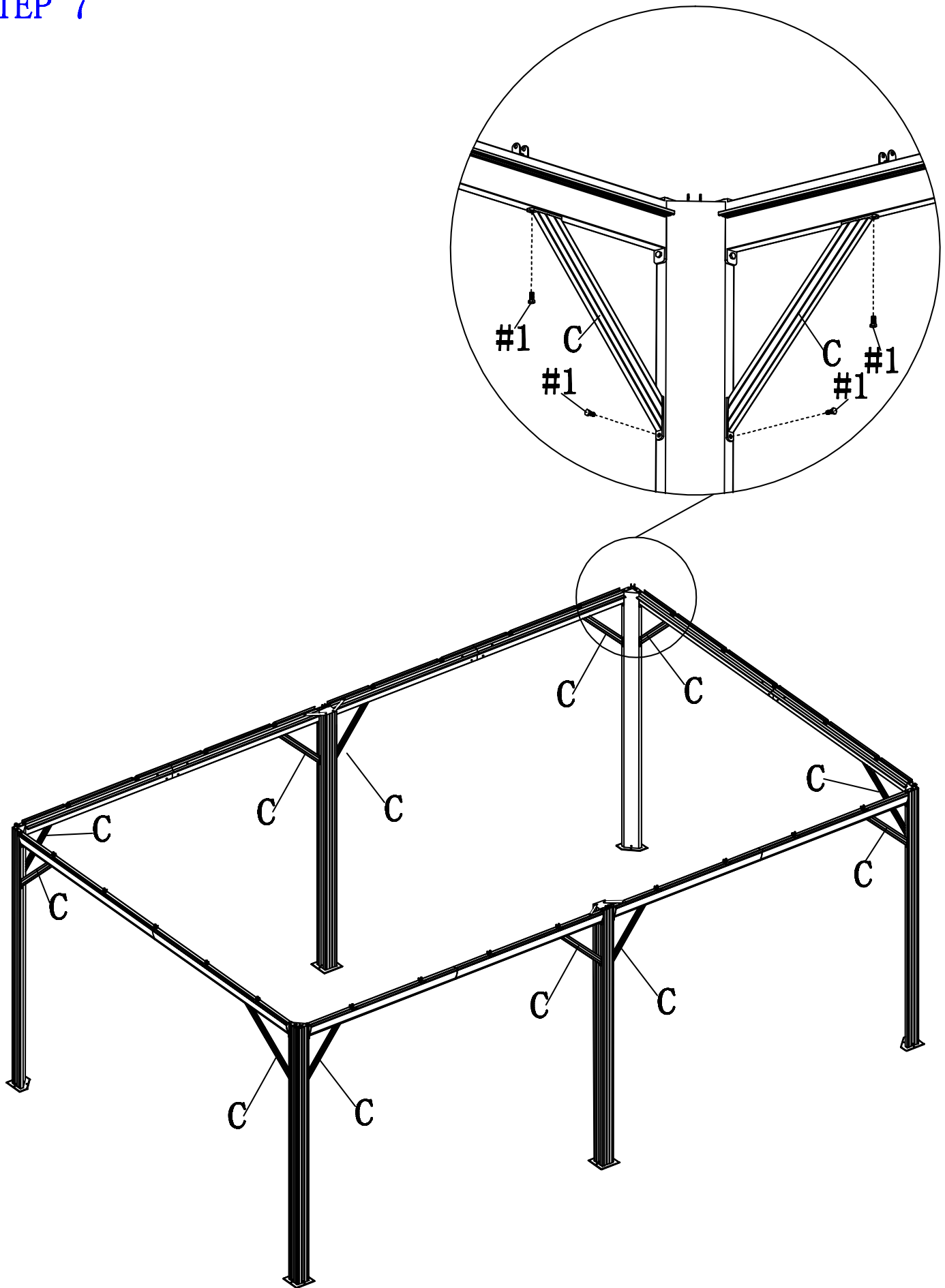


As shown, fix the crossbars assembly (B1)/(B2) and (B3)/(B4) and (B5)/(B6) to posts (A) and posts(A1) by using bolts (#1).

Assembly Step

STEP 7

C*12
#1*24

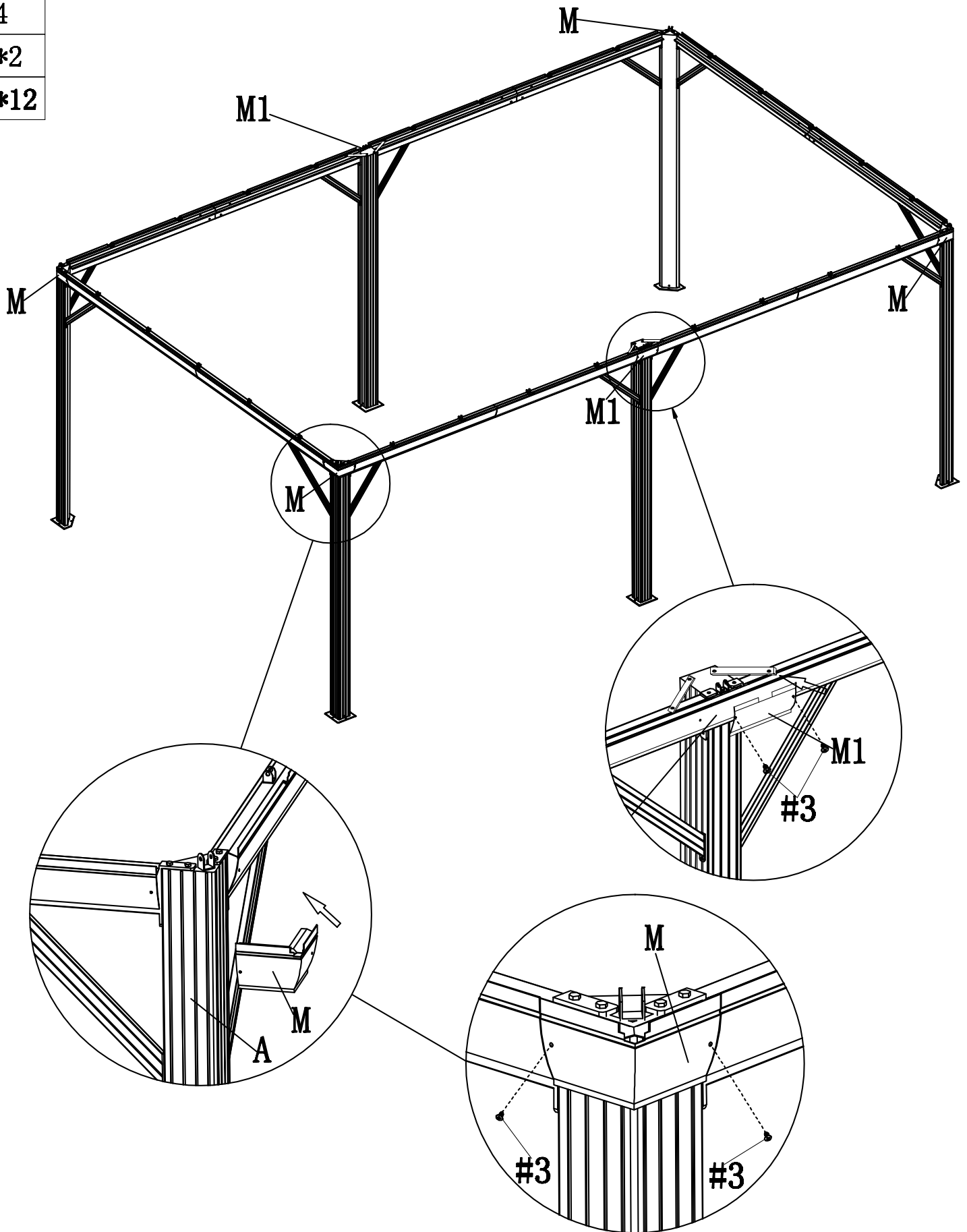


As shown, fix the braces (C) to posts (A) and (A1) and crossbars assembly (B1)/(B2) and (B3)/(B4) and (B5)/(B6) by using bolts (#1).

Assembly Step

STEP 8

M*4
M1*2
#3*12

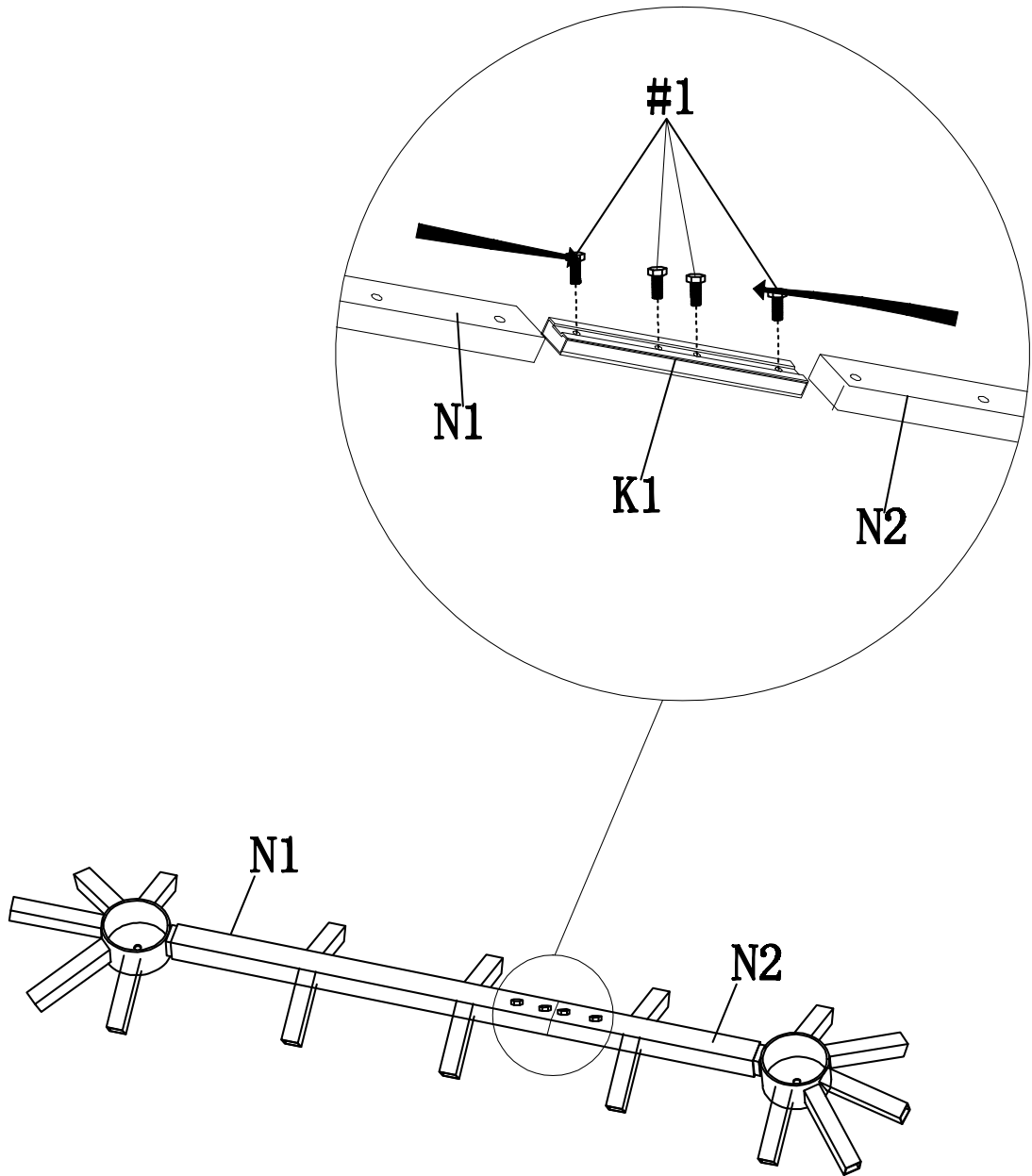


As shown, fix at appropriate location corner moulding (M) and (M1) by using self tapping screws (#3).

Assembly Step

STEP 9

N1*1
N2*1
K1*1
#1*4

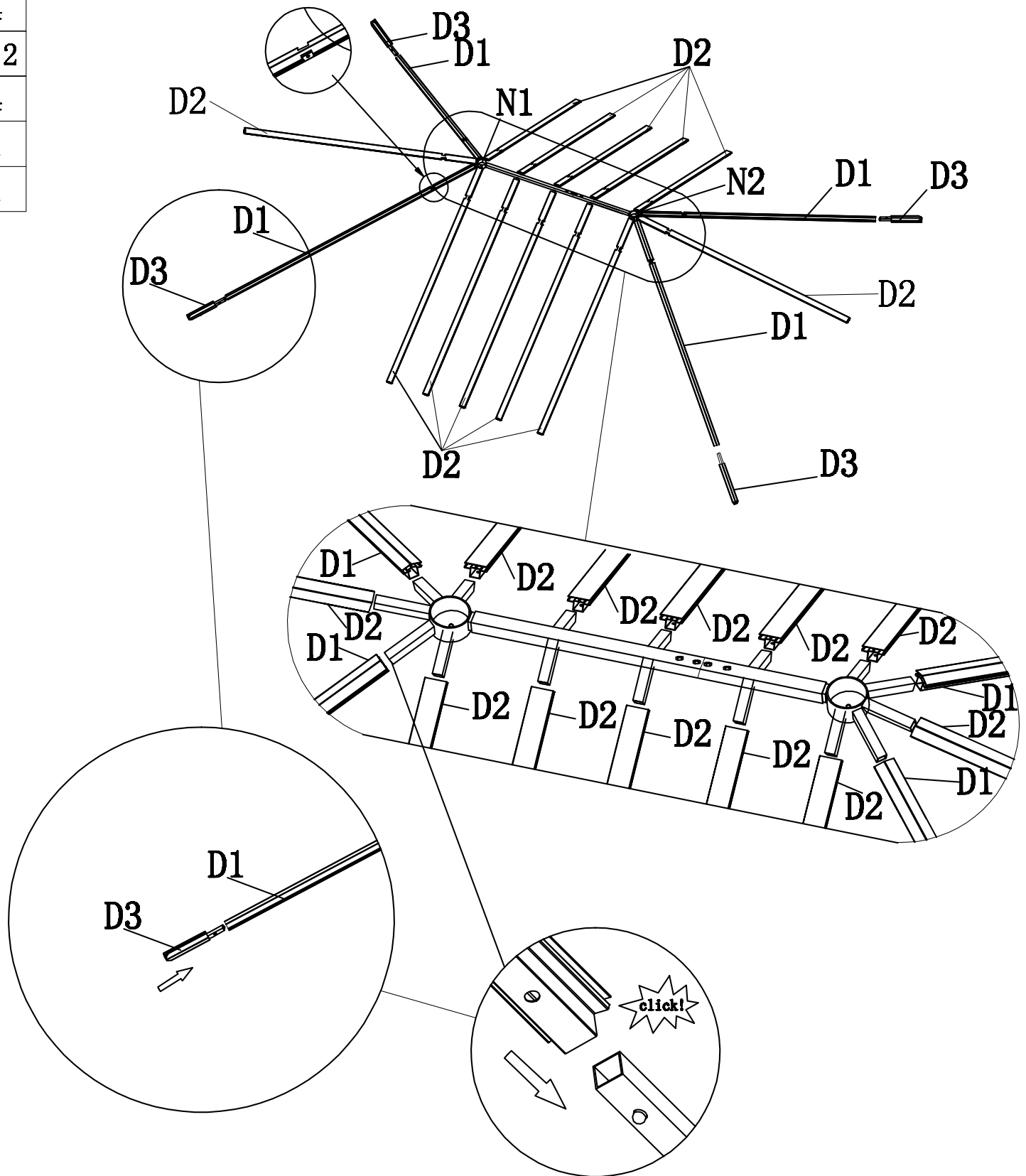


Insert Top Connection(K1) into Long Lower Connector(N1) and Short Lower Connector(N2) and fix it with Bolts(#1).

Assembly Step

STEP 10

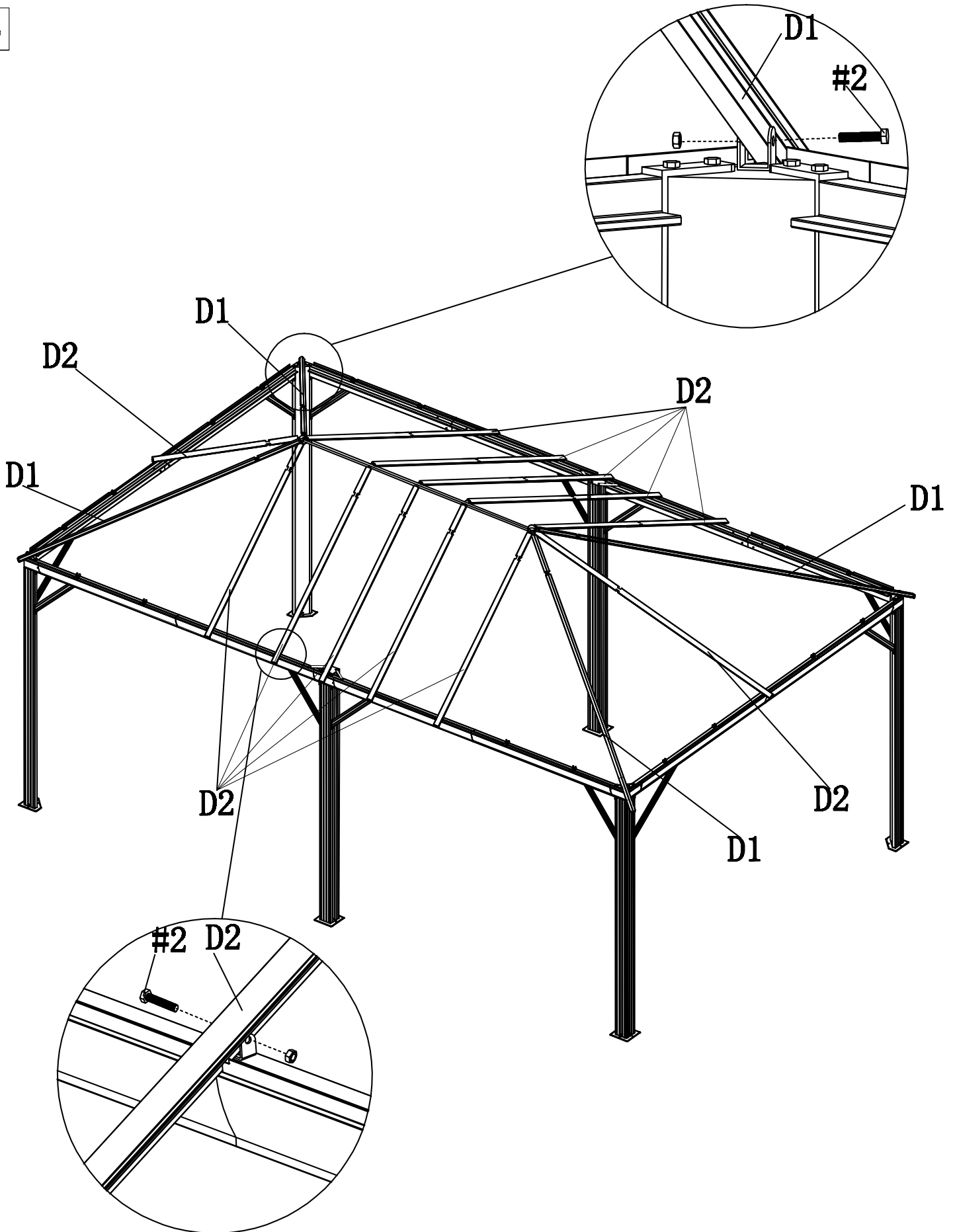
D1*4
D2*12
D3*4
N1*1
N2*1



Repeat same procedure to fix corner roof tubes (D1) and roof tubes (D2) as shown.
Repeat same procedure to fix corner roof tubes (D1)
and roof tubes (D3) with connecting as shown.

STEP 11

#2*16

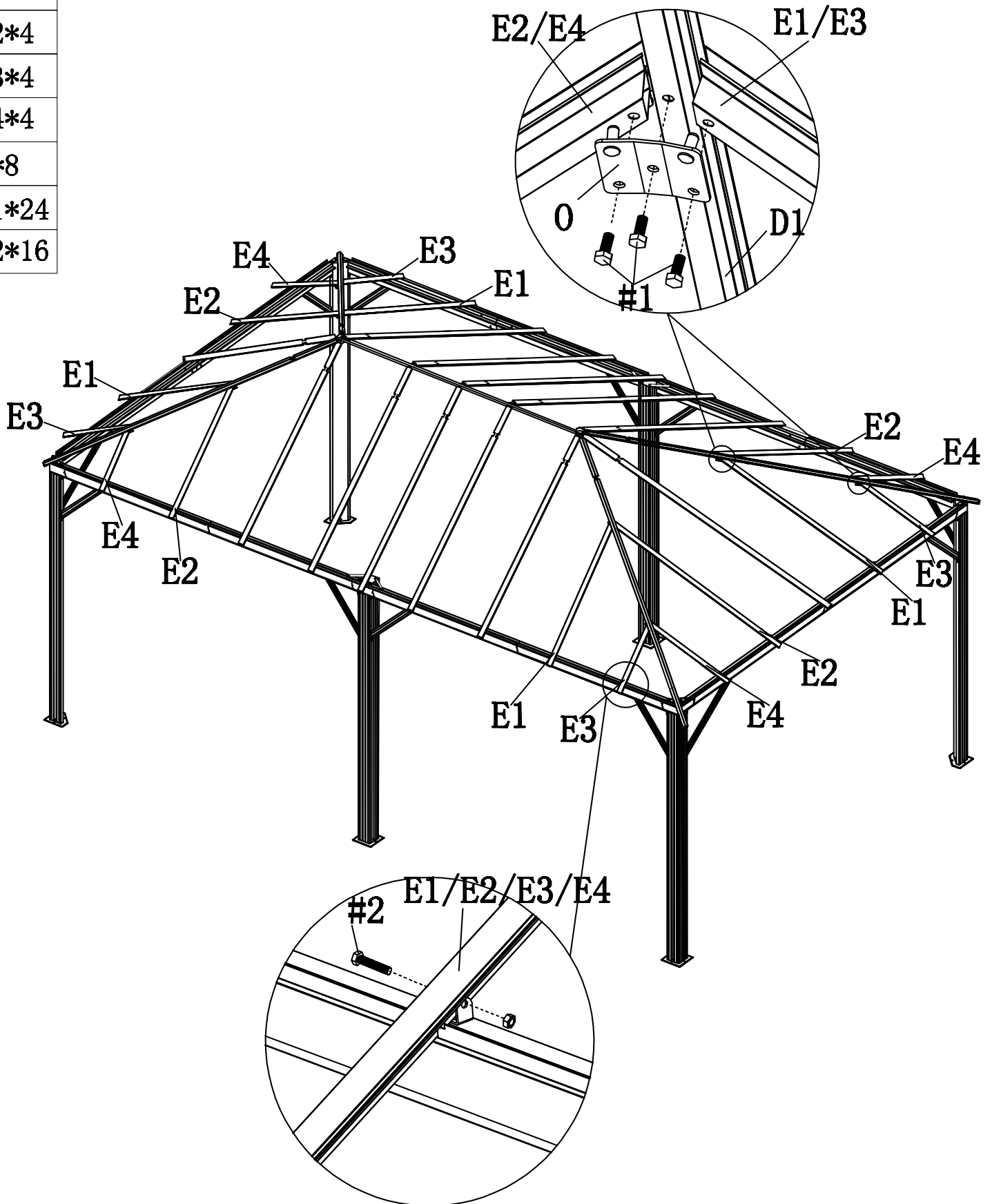


Lay down the last assembly on the gazebo main frame and fix tubes ends by using bolts and nuts (#2).

Assembly Step

STEP 12

E1*4
E2*4
E3*4
E4*4
O*8
#1*24
#2*16

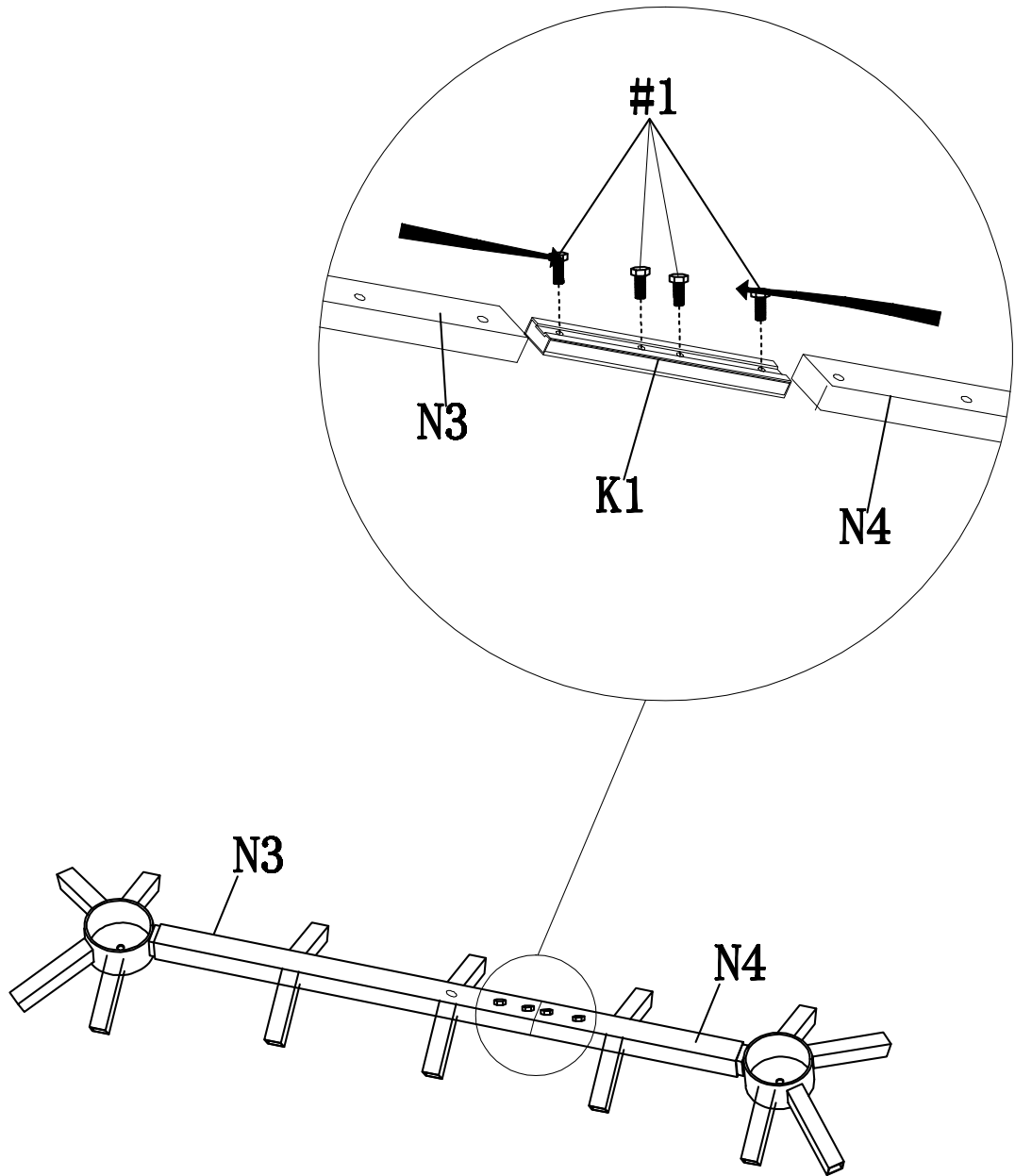


Fix the roof tube (E1), (E2), (E3) and (E4) to corner roof tubes (D1) by using brackets (O) and bolts (#1) as shown. Fix other ends of tubes to the main frame by using bolts and nuts (#2).

Assembly Step

STEP 13

N3*1
N4*1
K1*1
#1*4

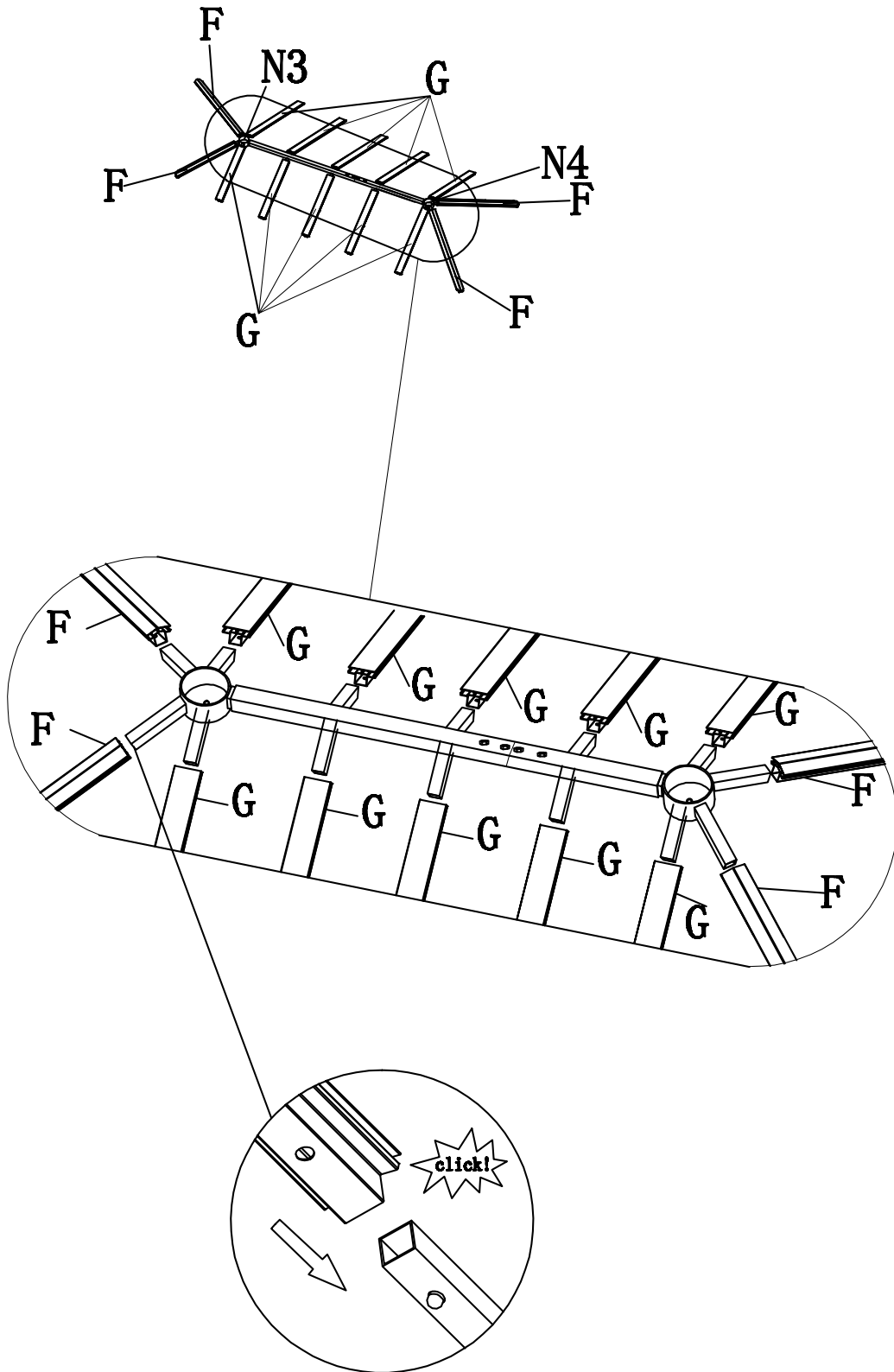


Insert Top Connection(K1) into Long Top Connector(N3) and Short Top Connector(N4) and fix it with Bolts(#1).

Assembly Step

STEP 14

F*4
G*10
N3*1
N4*1

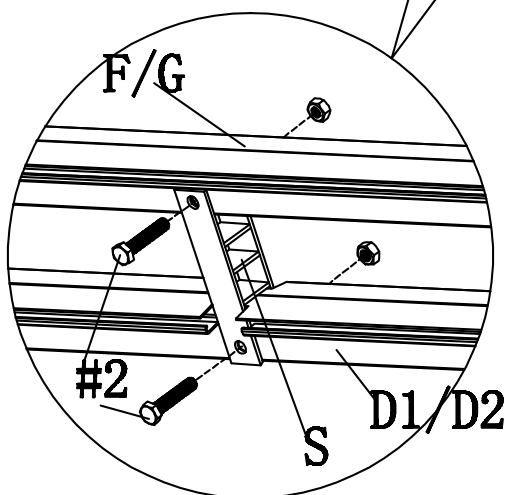
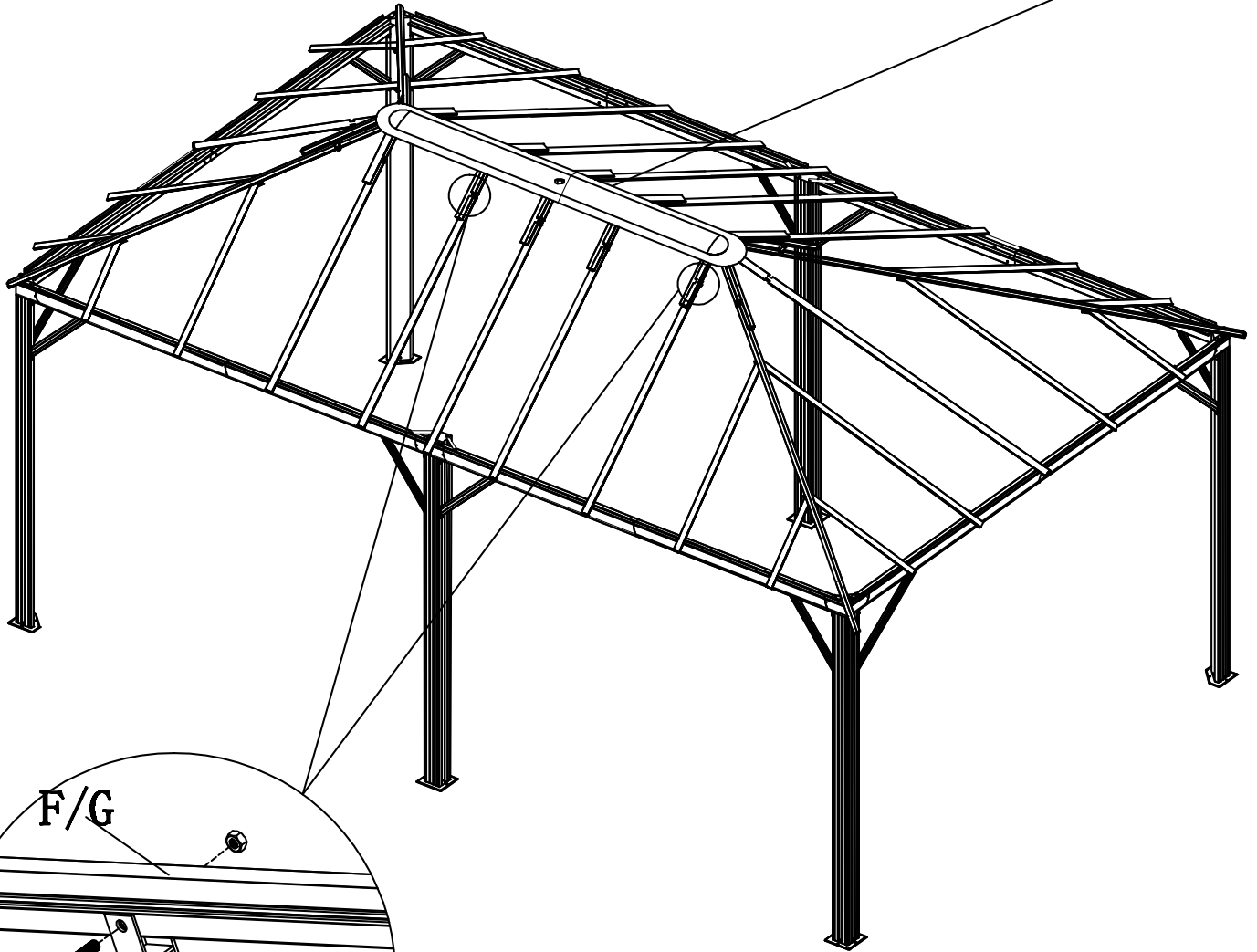
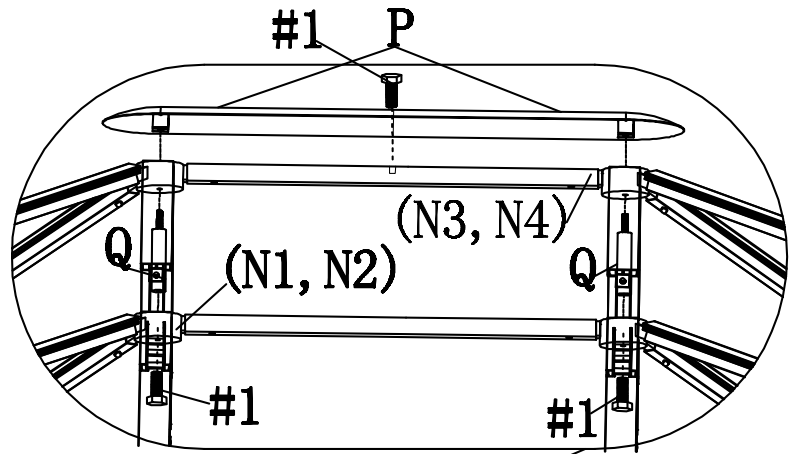


Repeat same procedure to fix corner roof tubes (F) and roof tubes (G) as shown.
Repeat same procedure to fix corner roof tubes (F)
and roof tubes (G) with connecting as shown.

Assembly Step

STEP 15

P*2
Q*2
S*14
#1*3
#2*28

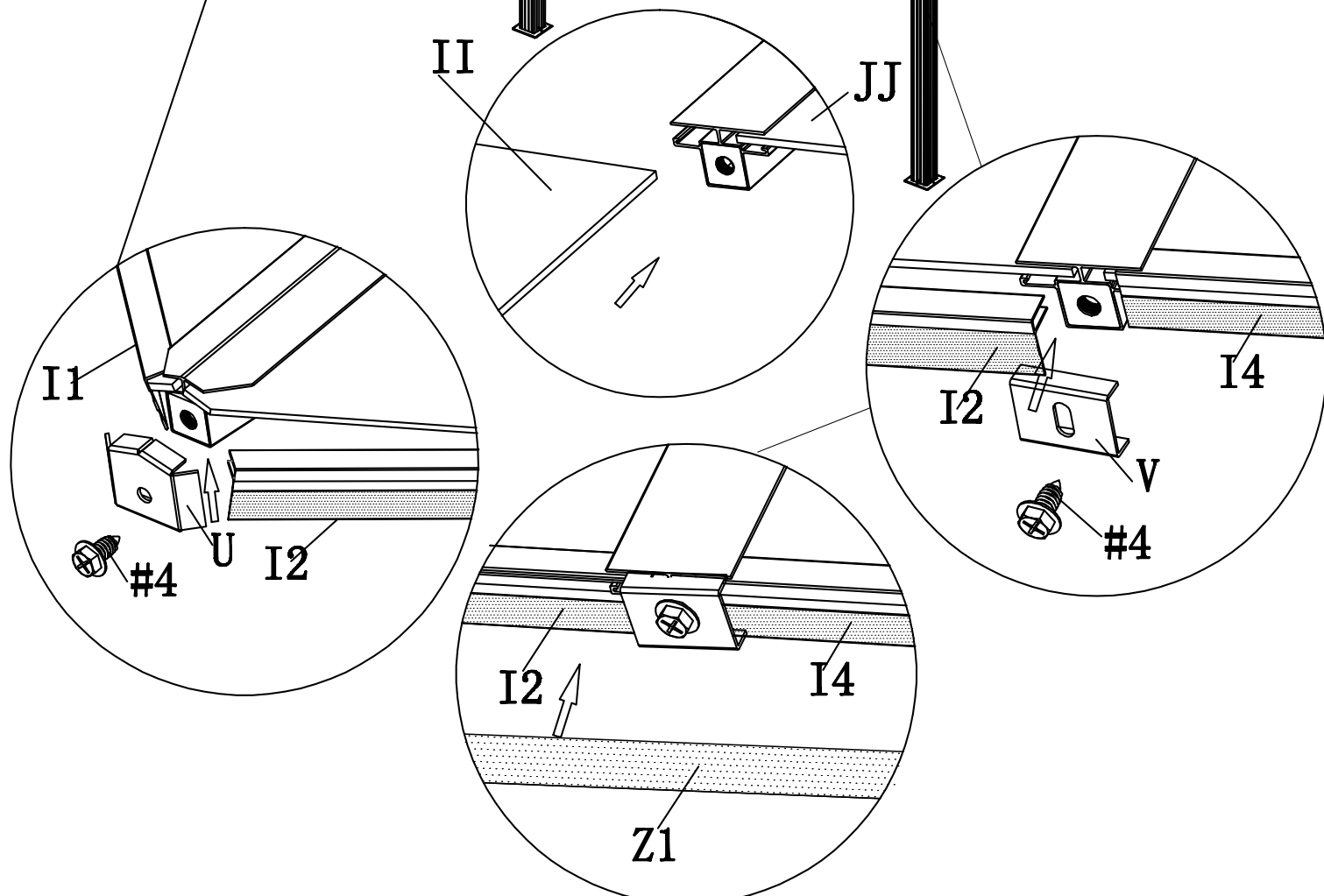
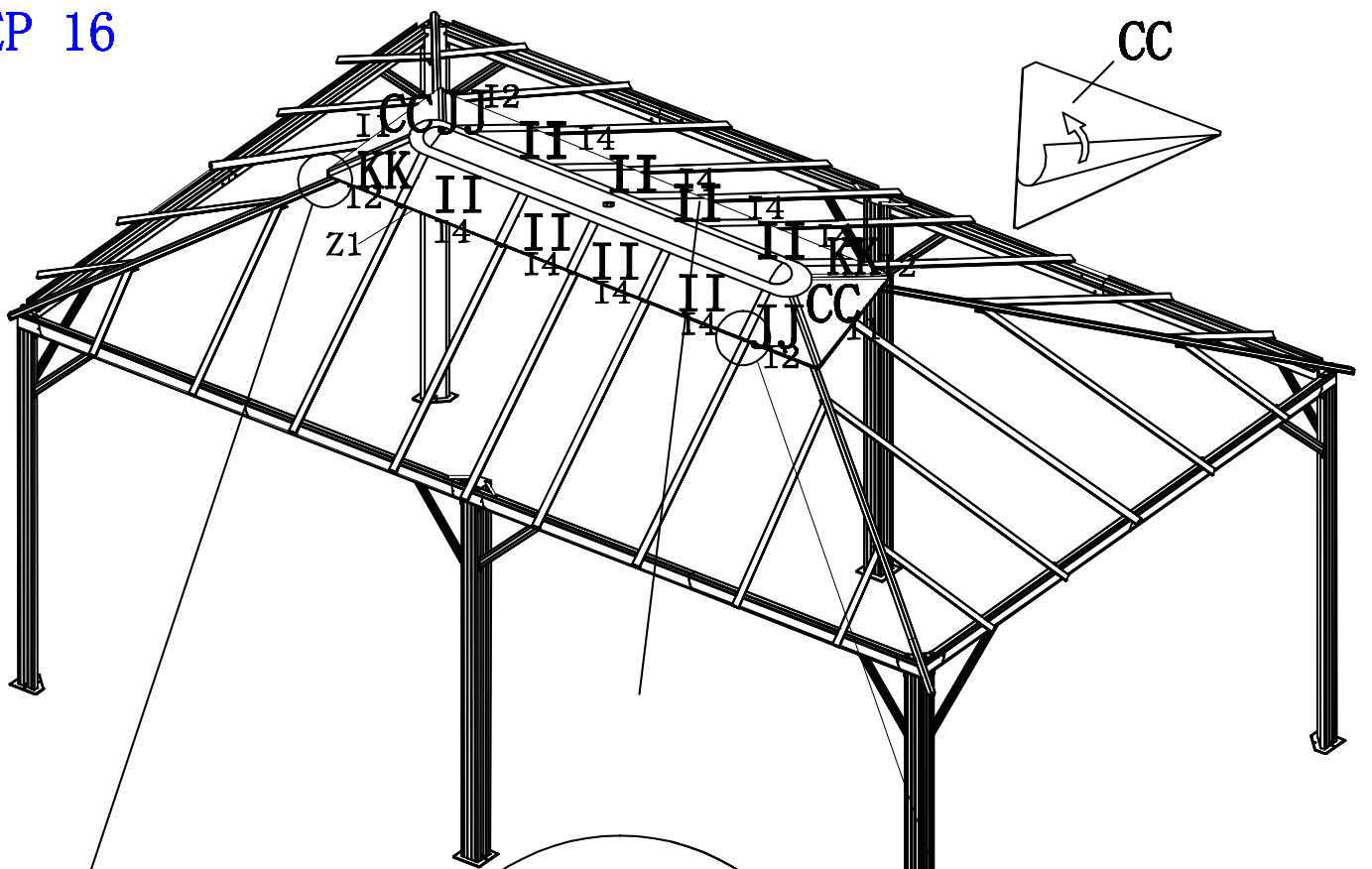


Fix the roof spacer (Q) under this last assembly by covering and screwing the roof cap (P) on. Lay down this assembly over the first central connector (N1/N2) fitted with (D1/D2) corner roof tubes. Fix by using the bolts (#1) as shown. Fix other ends of the roof tubes (F) and (G) to the roof corner tubes (D1) and other tubes (D2) by using the roof spacer brackets (S) and bolts and nuts (#2).

Assembly Step

STEP 16

CC*2
II*8
JJ*2
KK*2
I1*2
I2*4
I4*8
U*4
V*10
Z1*2
#4*14



Insert roof panels (CC), (II), (JJ) and (KK) into the groove of roof tubes (F) and (G).

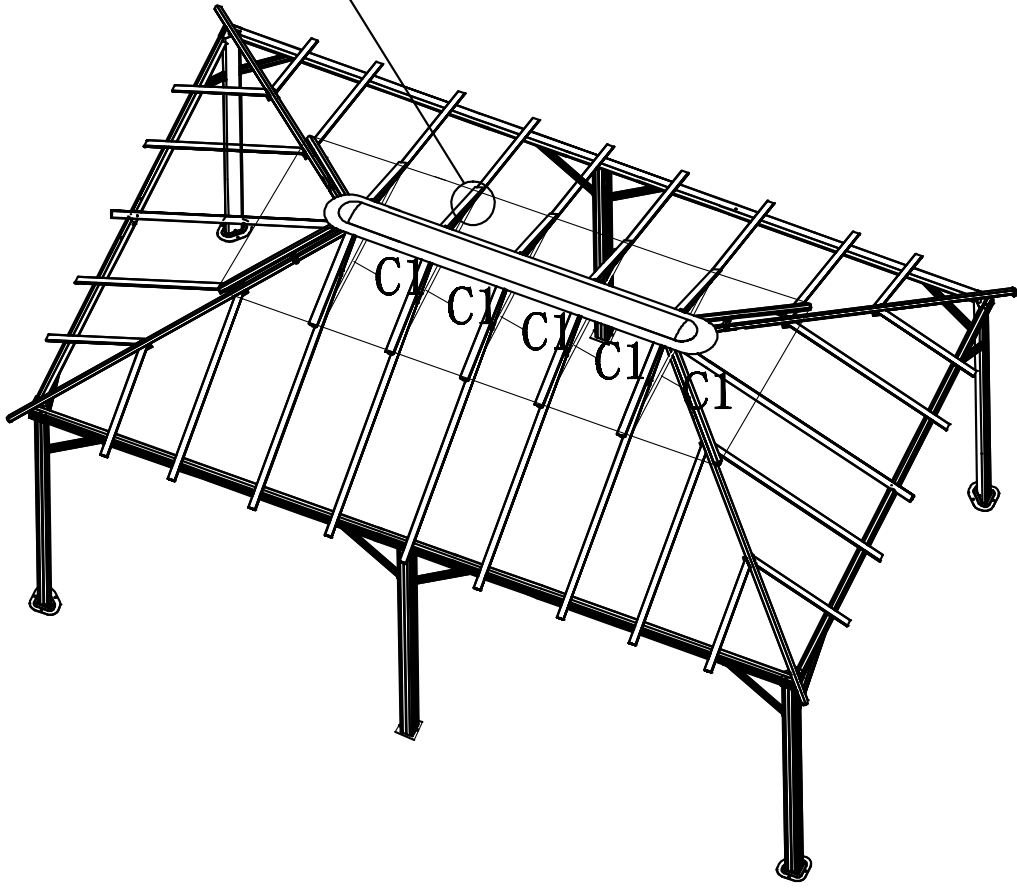
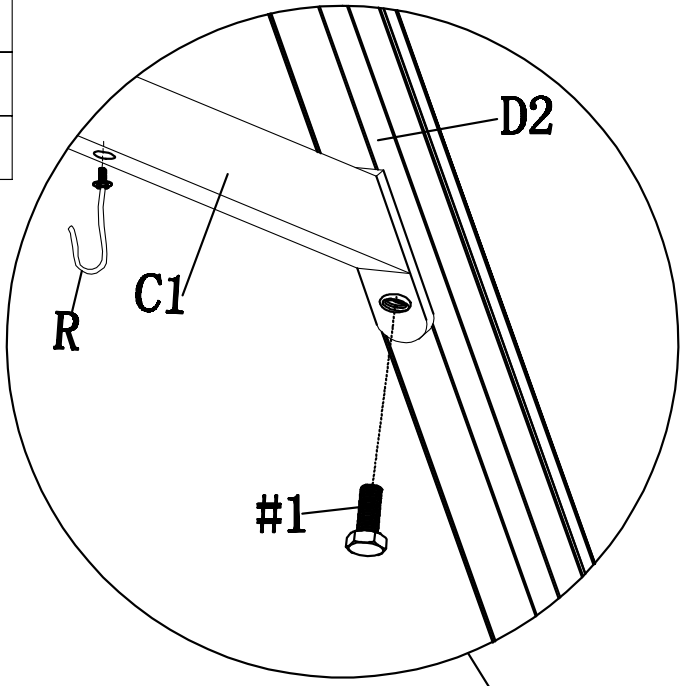
As illustrated, insert roof edges (I1), (I2) and (I4) at the ends of roof panels of the small roof. As illustrated, fix the roof corner brackets (U) and side roof brackets (V) by using (#4) bolts. In order not to damage inserts, do not over tighten the bolts.

When you install (I1), (I2), and (I4), stick (Z1) on it and install one one.

Note: (I3) is the length of (I4), (I4) is with Velcro.

STEP 17

- C1*5
- R*5
- #1*32

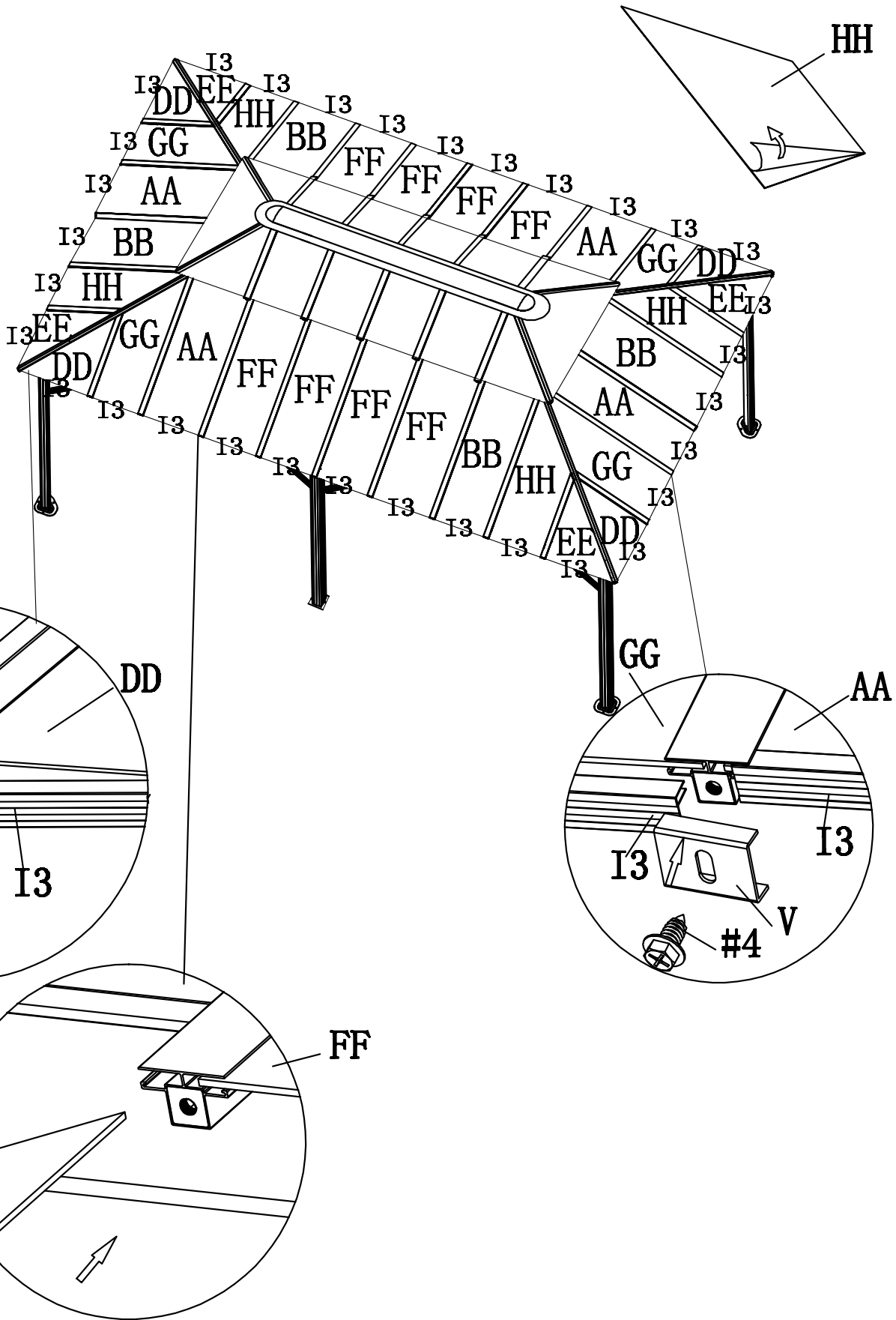


Pay attention to locate brackets pins toward up.
Install Brace(C1) and secure with Bolts(#1) and screw Hook(R).

Assembly Step

STEP 18

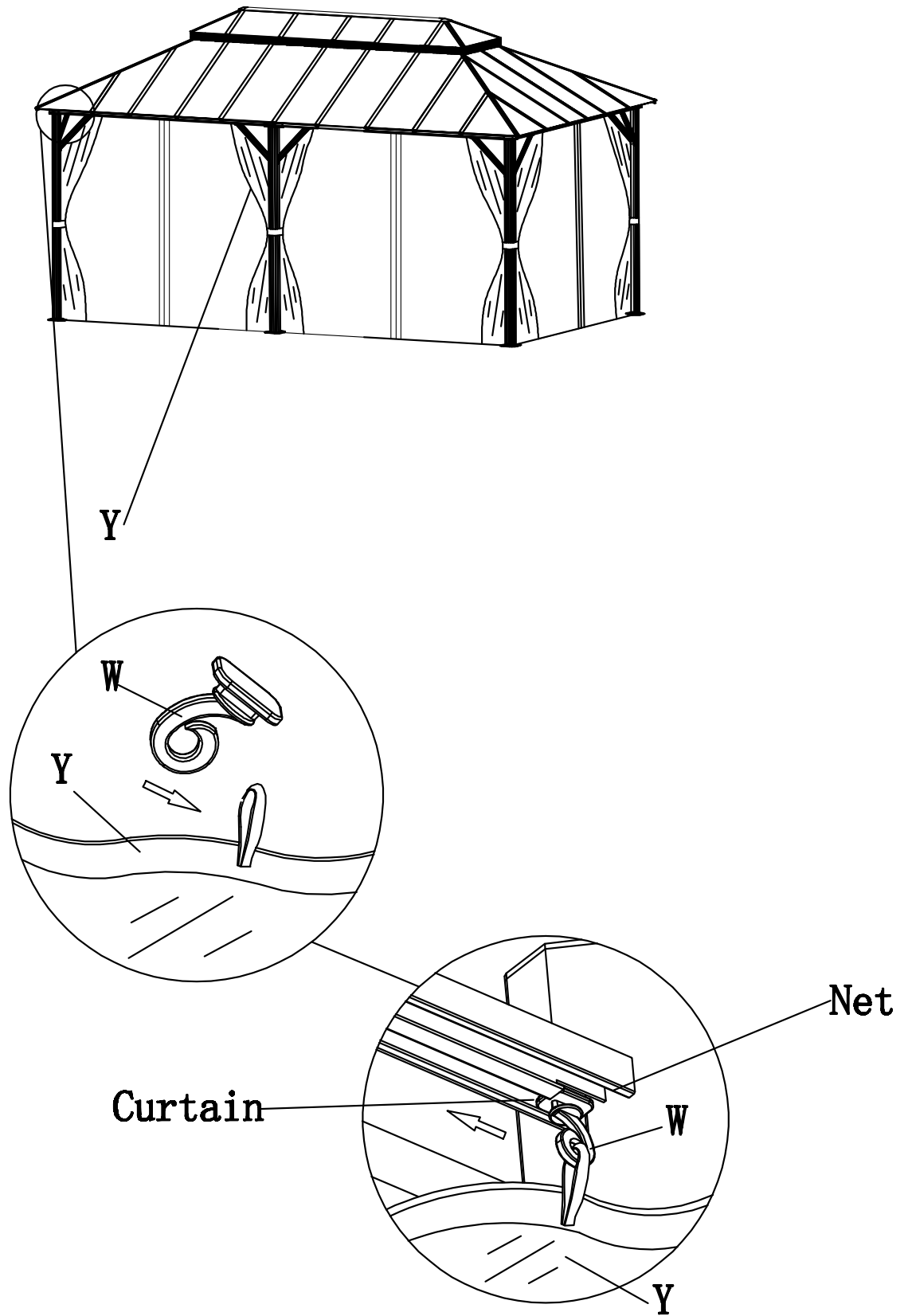
AA*4
BB*4
DD*4
EE*4
FF*8
GG*4
HH*4
U*4
V*28
I3*32
#4*32



Insert roof panels (AA), (BB), (DD), (EE), (FF), (GG) and (HH) into the groove of roof tubes as shown.
 As shown, insert roof edges (I3) at ends of roof panels.
 Secure roof panels by using corner roof brackets (U) and side roof brackets (V) with bolts (#4).
 In order not to damage inserts, do not over tighten the bolts.

STEP 19

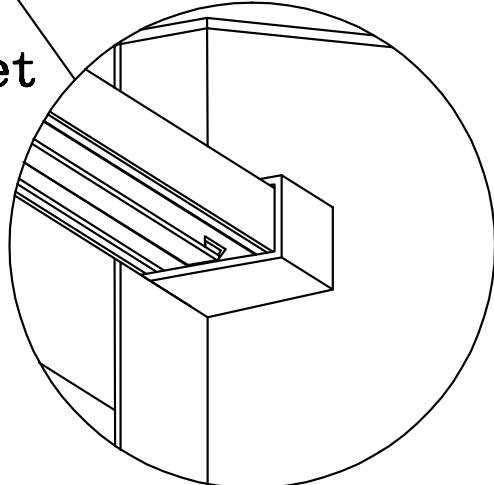
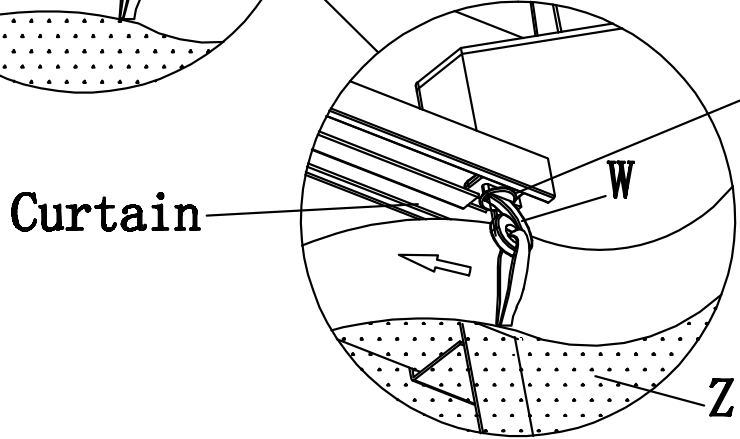
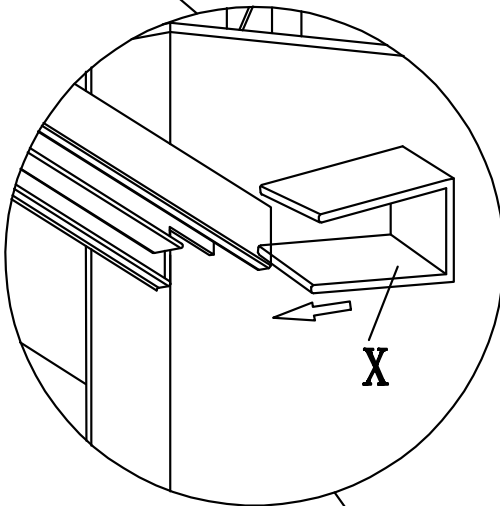
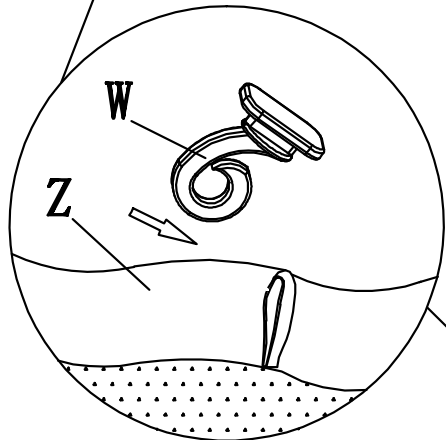
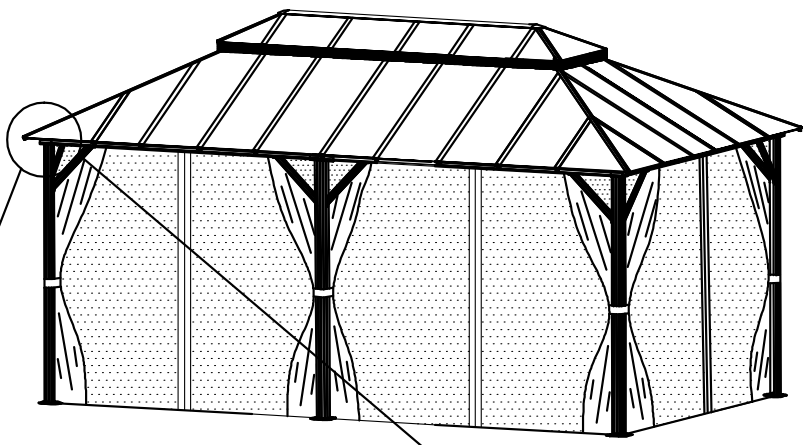
W*64
Y*1



Hang up the curtain hooks (W) into the loops of the curtain (Y) and slide these hooks into the external rail of the (B1)/(B2) and (B3)/(B4) and (B5)/(B6) crossbars.

STEP 20

W*64
Z*1
Z1*1



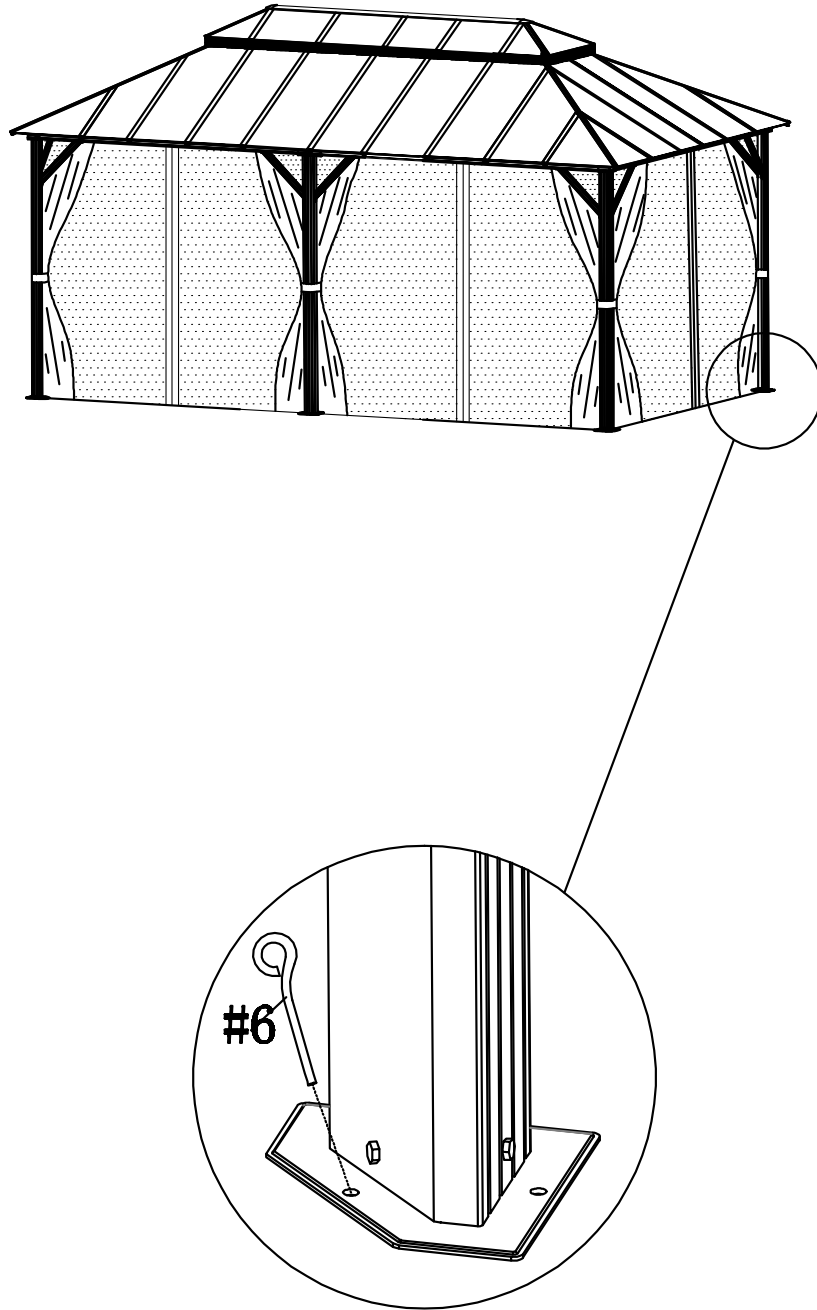
Curtain

Net

Hang up the yarn net hooks (W) into the loops of net (Z) and insert these hooks into the inside rail of the (B1)/(B2) and (B3)/(B4) and (B5)/(B6) crossbars. Then insert the hook stoppers (X) at ends of rail of (B1)/(B2) and (B3)/(B4) and (B5)/(B6) crossbars.

STEP 21

#6*6



Use the stakes (#6) for ground fixing. Take note the anchoring devices to use may vary with ground status. Additional anchoring devices are not provided.