

**XWG-143**  
**INSTRUCTION MANUAL**  
**10 FT x 11 FT Wood Framed Gazebo**

The gazebo comes with 4 boxes. Sometimes they may be delivered on different day, please wait 2-3 more days or contact us for help.

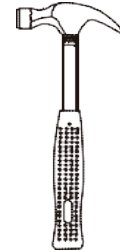
**Note: The gazebo needs to be installed in cooperation with five people. The following tools are not included and needed for assembly:**



Pistol Drill



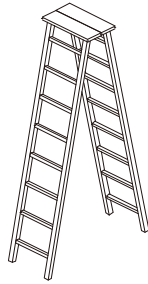
Tape Measure



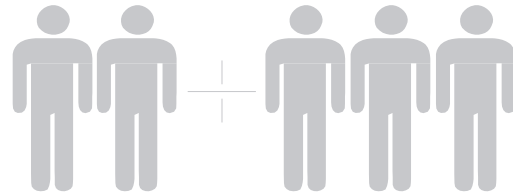
Hammer



Screwdriver



Ladder



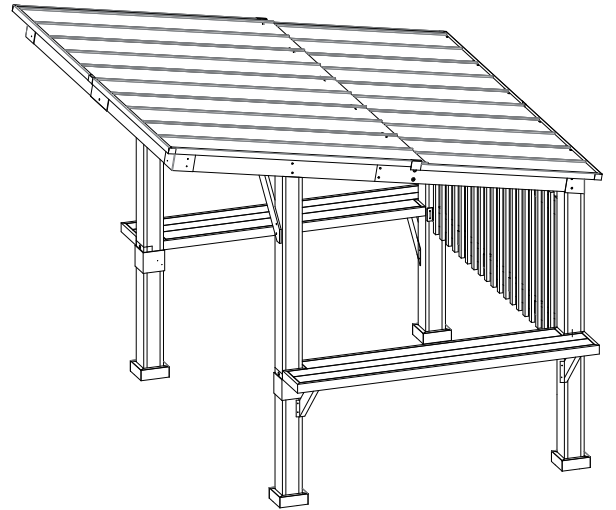
5 people

## **Warning**









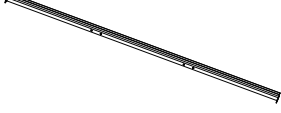


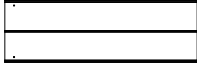
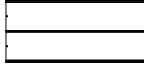

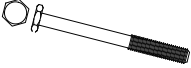



1. A 5 person assembly is required for this gazebo.
2. Please take appropriate actions as heavy rain, wind and snow can damage the gazebo. If necessary please dis-assemble and store for later use.
3. In snowy conditions, please do not allow the thickness of the snow to be more than 1.97 inch on the roof, this should be cleared as soon as possible for your safety. When the wind speed reaches 61.2km/h, please take measures to avoid the wind.
4. Care the wooden structure of the gazebo like painting with anticorrosive paint every two months or dry the wooden parts and then paint when it is in rainy season, can let the gazebo service longer.

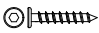


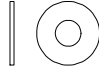
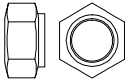






## Attention:

1. Please fix all the screws first, do not lock off, after assembling is fully completed, lock all at once finally.
2. Please check the manual carefully and make sure you have received all the parts.
3. If there is any missing, please let us know the letter of the parts you need.
4. If there is any damage, please send clear photos to us, we will check and offer you best solution soon.

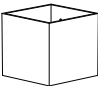
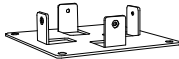
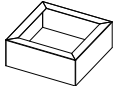
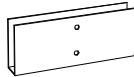

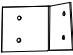
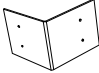

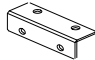
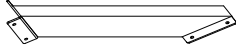
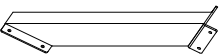
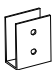


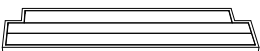


## Parts List (Box A)


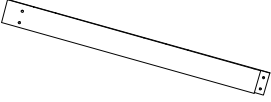
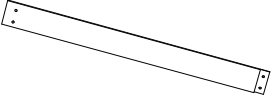

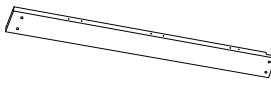
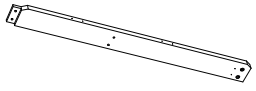
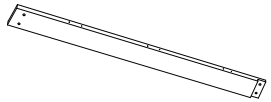
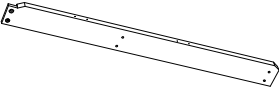
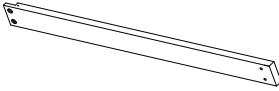
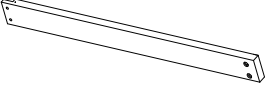
<p><b>K</b></p>  <p>Upper Middle Cross Beam 1</p>	<p><b>L</b></p>  <p>Upper Middle Cross Beam 2</p>	<p><b>M</b></p>  <p>Middle Cross Beam 2</p>	<p><b>N</b></p>  <p>Middle Cross Beam 3</p>	<p><b>P</b></p>  <p>Upper Panel Flashing 1</p>
1 PC	1 PC	1 PC	1 PC	1 PC
<p><b>Q</b></p>  <p>Upper Panel Flashing 2</p>	<p><b>R</b></p>  <p>Lower Panel Flashing 1</p>	<p><b>S</b></p>  <p>Lower Panel Flashing 2</p>	<p><b>T</b></p>  <p>Side Panel Flashing 1</p>	<p><b>U</b></p>  <p>Side Panel Flashing 2</p>
1 PC	1 PC	1 PC	2 PCS	2 PCS
<p><b>V</b></p>  <p>Middle Cross Beam</p>	<p><b>W</b></p>  <p>Top Cap 1</p>	<p><b>X</b></p>  <p>Top Cap 2</p>		
8 PCS	5 PCS	5 PCS		
<p><b>H1</b></p>  <p>Bolt M8*35</p>	<p><b>H2</b></p>  <p>Bolt M8*160</p>	<p><b>H3</b></p>  <p>Bolt M8*190</p>	<p><b>H4</b></p>  <p>Screw ST4.2*25</p>	<p><b>H6</b></p>  <p>Screw ST4.2*60</p>
44 PCS	6 PCS	2 PCS	150 PCS	8 PCS

<b>H8</b>  Screw ST6*35 8 PCS	<b>H9</b>  Screw ST8*80 8 PCS	<b>H10</b>  Flat Washer M6 8 PCS	<b>H11</b>  Flat Washer M8 32 PCS	<b>H12</b>  Hex Nut M8 8 PCS
<b>H13</b>  Bolt M6*15 68 PCS	<b>H14</b>  Bolt M8*130 8 PCS	<b>HS</b>  Stake Φ 8*180 8 PCS	<b>HW1</b>  Allen Key M8 1 PC	<b>HW2</b>  Wrench M8 2 PCS
<b>HW3</b>  Wrench M6 2 PCS				

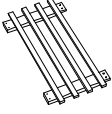
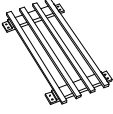
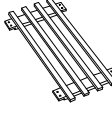
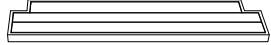
**Parts List (Box B)**

<b>A</b>  Post Cap 2 PCS	<b>B</b>  Post Base 4 PCS	<b>B-1</b>  Base Cover 4 PCS	<b>C</b>  Cross Beam Cap 1 4 PCS	<b>D</b>  L-Shape Press Piece 1 1 PC
<b>E</b>  L-Shape Press Piece 2 1 PC	<b>F</b>  L-Shape Press Piece 3 2 PCS	<b>G</b>  Screen Cap 2 4 PCS	<b>H</b>  Beam connection strap 4 PCS	<b>I1</b>  Table Top Connection Left 2 PCS
<b>I2</b>  Table Top Connection Right 2 PCS	<b>J</b>  Screen Cap 1 8 PCS	<b>15</b>  Brace1 1 PC	<b>16</b>  Brace 2 1 PC	<b>26</b>  Table Top 1 PC


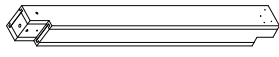
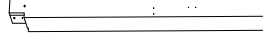
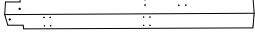
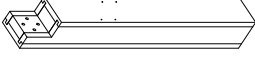


27	28	29	30	31
				
Back Cross Beam 1	Back Cross Beam 2	Middle Beam 2	Middle Beam 1	Long Beam 3
1 PC	1 PC	1 PC	1 PC	1 PC
32	33	34	35	36
				
Long Beam 1	Long Beam 4	Long Beam 2	Front Cross Beam 2	Front Cross Beam 1
1 PC	1 PC	1 PC	2 PCS	2 PCS

**Parts List (Box C)**

21	22	23	26	
				
Screen 1	Screen 2	Screen 3	Table Top	
2 PCS	2 PCS	1 PC	1 PC	

**Parts List (Box D)**

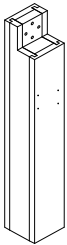
01	02	03	04	05
				
Front upper left Post	Front upper right Post	Rear post1	Rear post2	Lower end offront Post
1 PC	1 PC	1 PC	1 PC	2 PCS



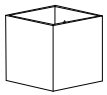
01 1x



02 1x



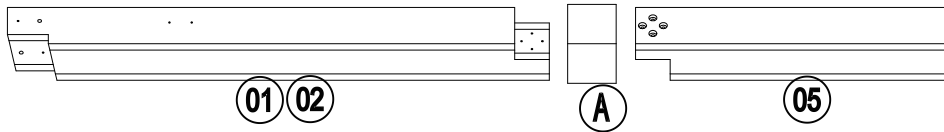
05 2x



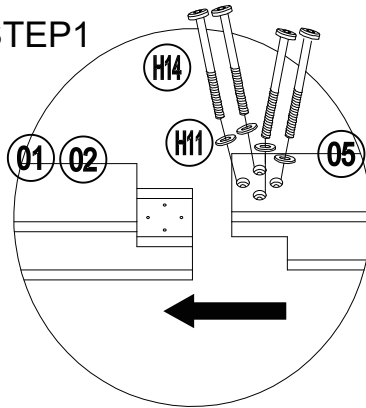
A 2x

1

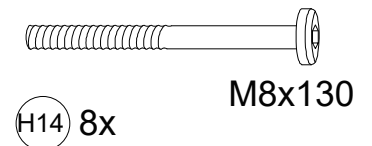
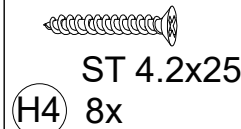
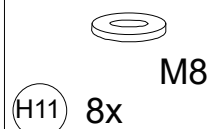
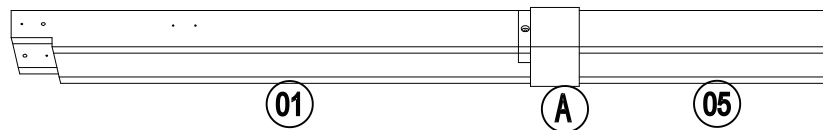
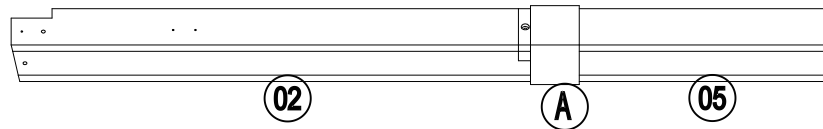
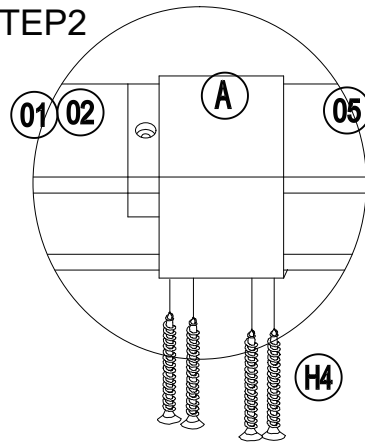
<1>

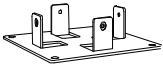


STEP1



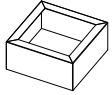
STEP2





<2>

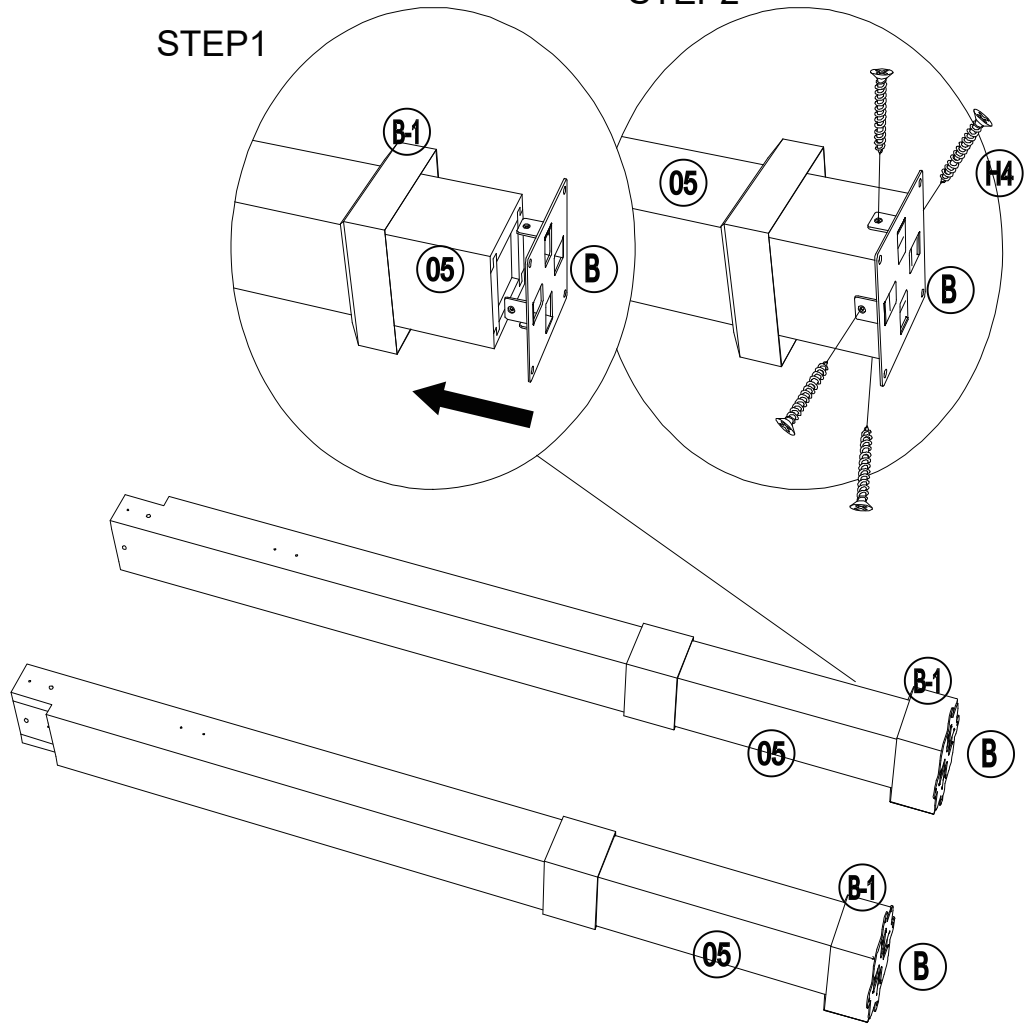
(B) 2x



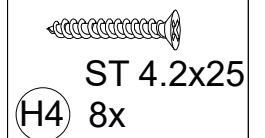
(B1) 2x

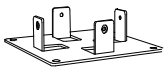
STEP1

STEP2



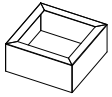
2



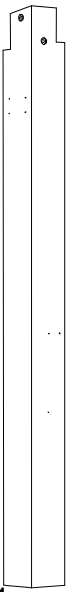


<3>

(B) 2x



(B1) 2x



(04) 1x

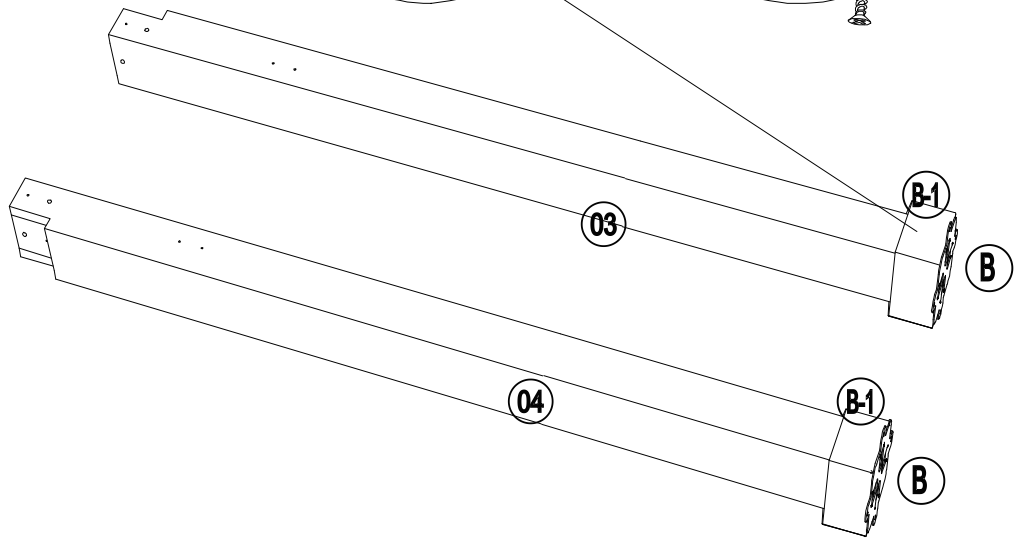
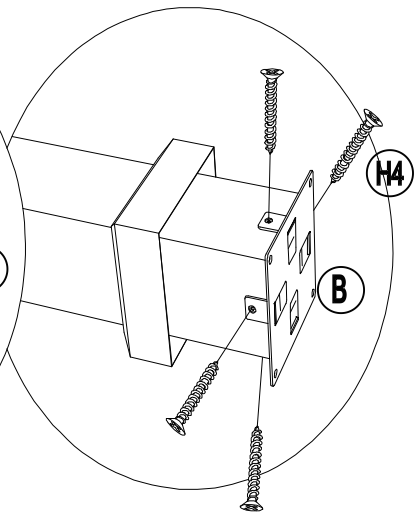
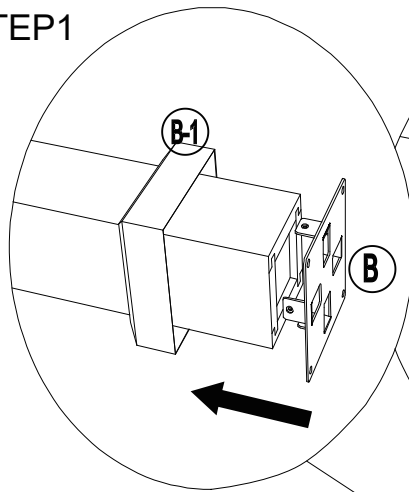


(03) 1x

3

STEP1

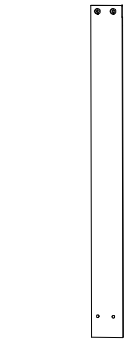
STEP2



ST 4.2x25

(H4) 8x

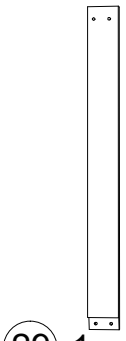
<4>



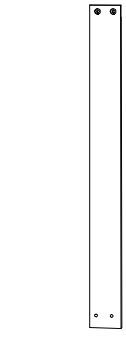
27 1x



28 1x

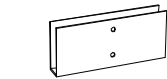
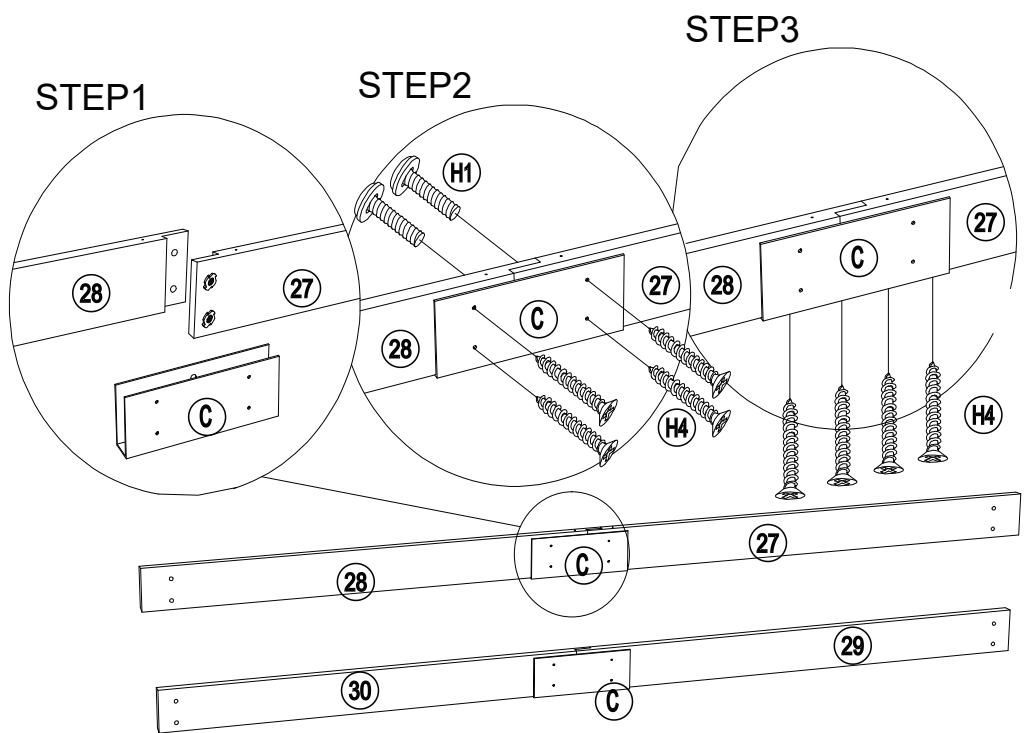


29 1x



30 1x

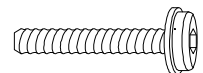
4



C 2x



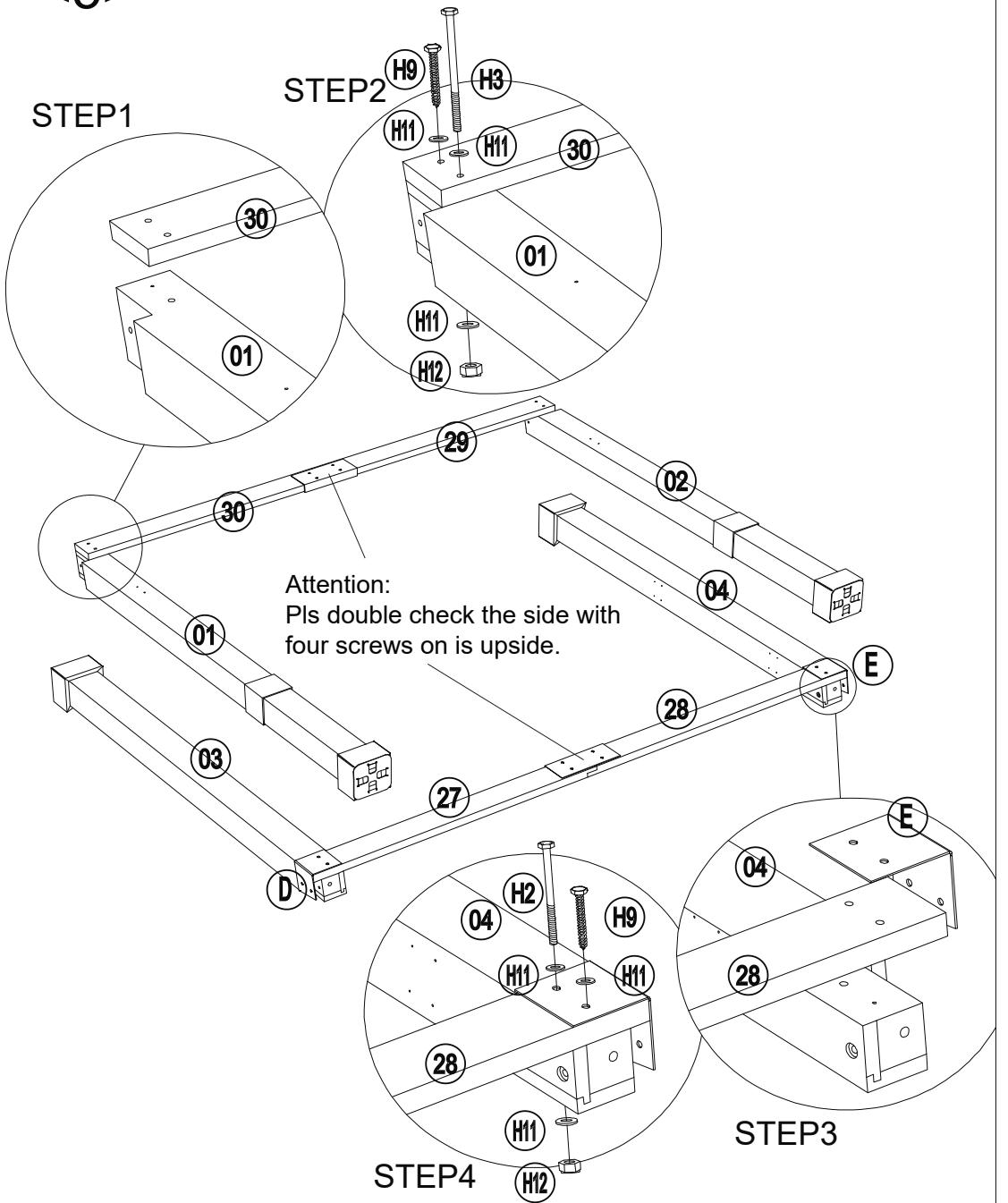
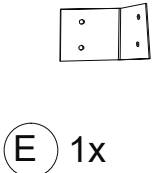
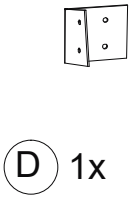
H4 16x



H1 4x

M8x35

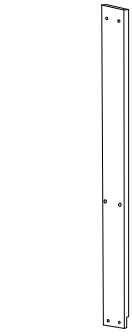
<5>



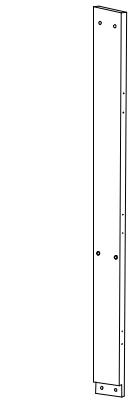
<p>H3 2x M8x190</p>		<p>H2 2x M8x160</p>	
<p>H12 4x M8</p>	<p>H11 12x M8</p>	<p>H9 4x M8x80</p>	

5

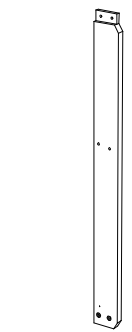
<6>



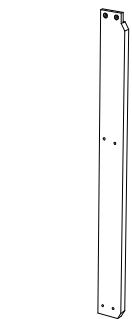
31 1x



33 1x



32 1x

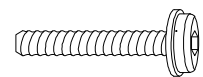
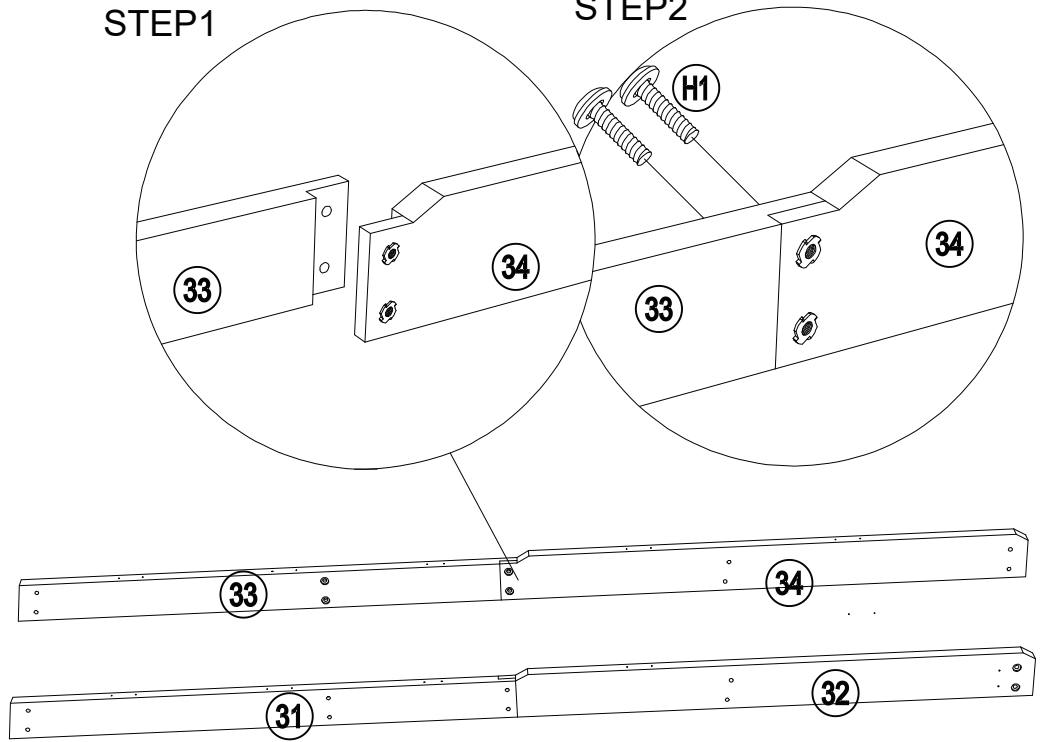


34 1x

6

STEP1

STEP2



H1 4x

M8x35

<7>

31

32

1x

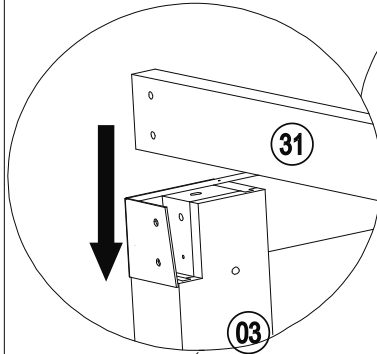
33

34

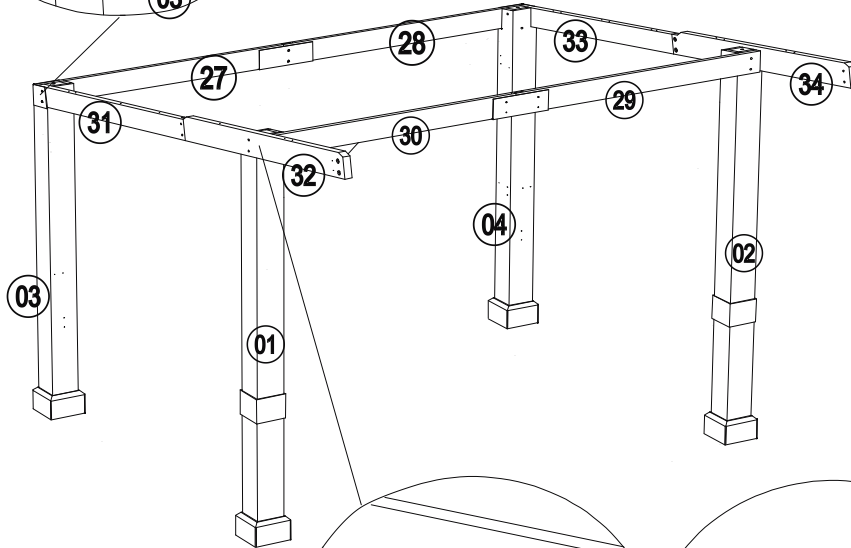
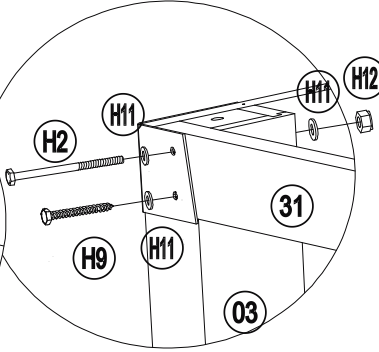
1x

7

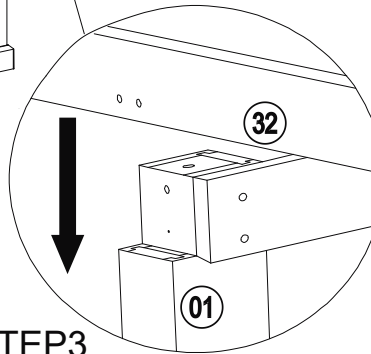
STEP1



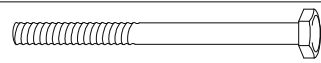
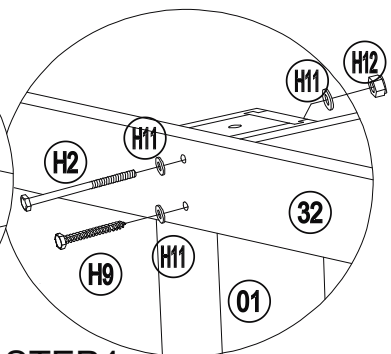
STEP2



STEP3



STEP4



H2 4x M8x160



H12 4x M8



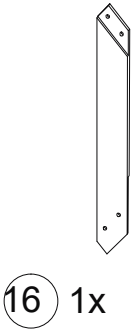
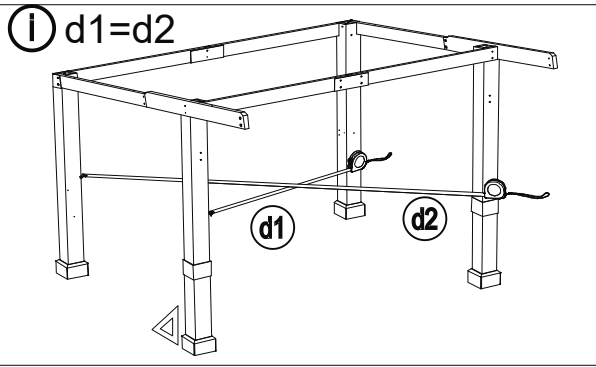
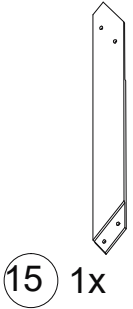
H11 12x M8



H9 4x M8x80



<8>

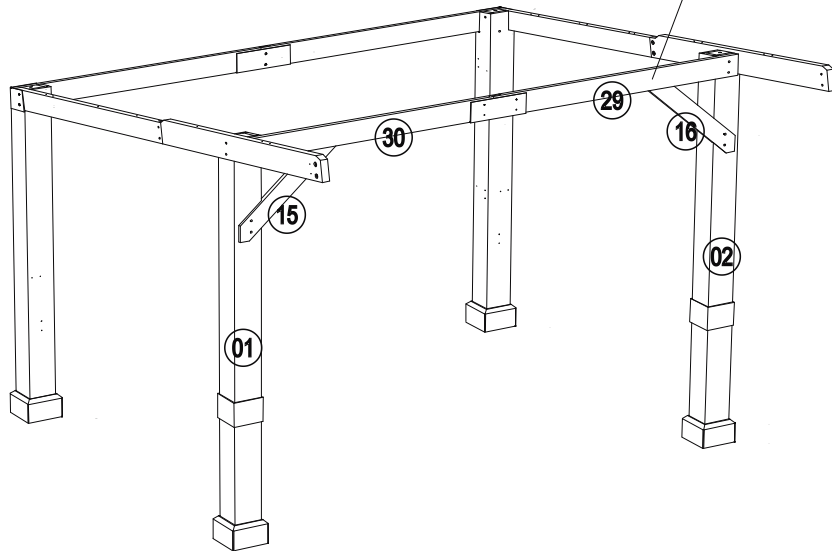
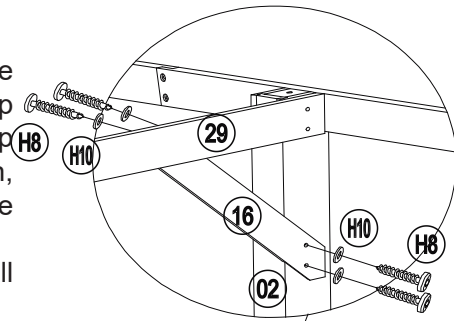


Rt  $\angle 90$

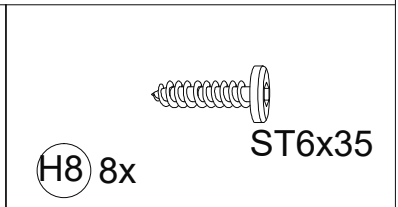
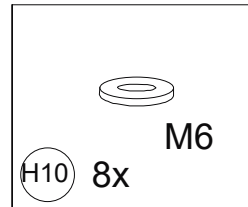
Attention:

Pls make sure that the length of d1 is the same as d2 then go ahead the next step to make sure the frame is square. Keep the beam at right angles to the column, the column is at right angles to the ground and keep the beam level.

This action is aimed to make sure that all screws has been tightened properly.



8

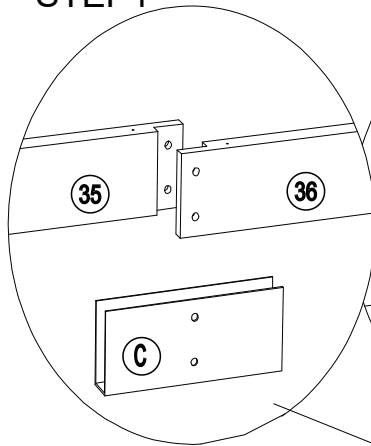


<9>

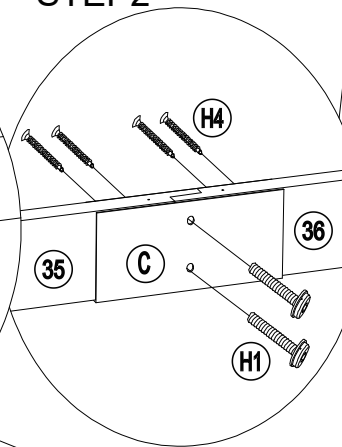
35 2x



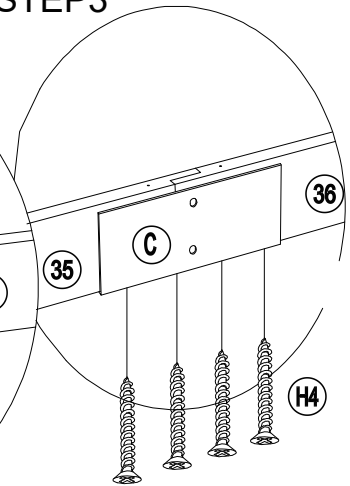
STEP1



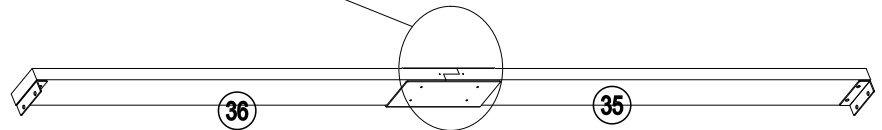
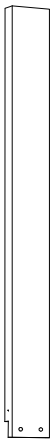
STEP2



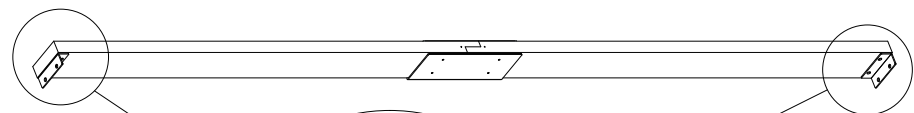
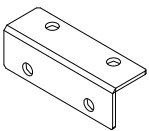
STEP3



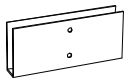
36 2x



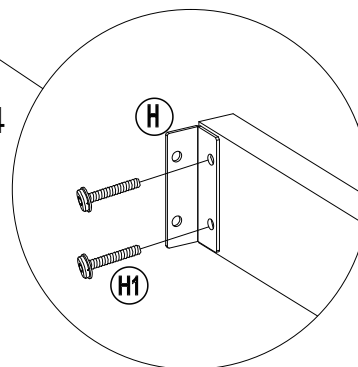
H 4x



C 2x



STEP4

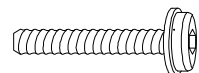


9



ST 4.2x25

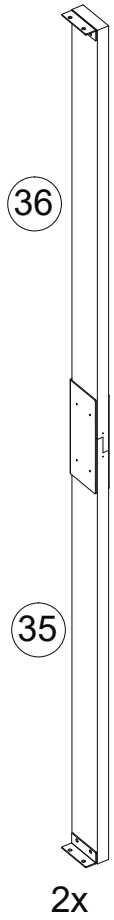
H4 16x



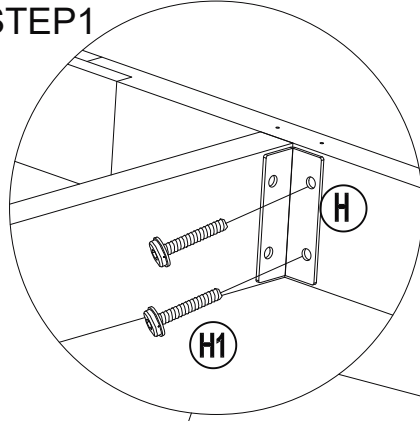
M8x35

H1 12x

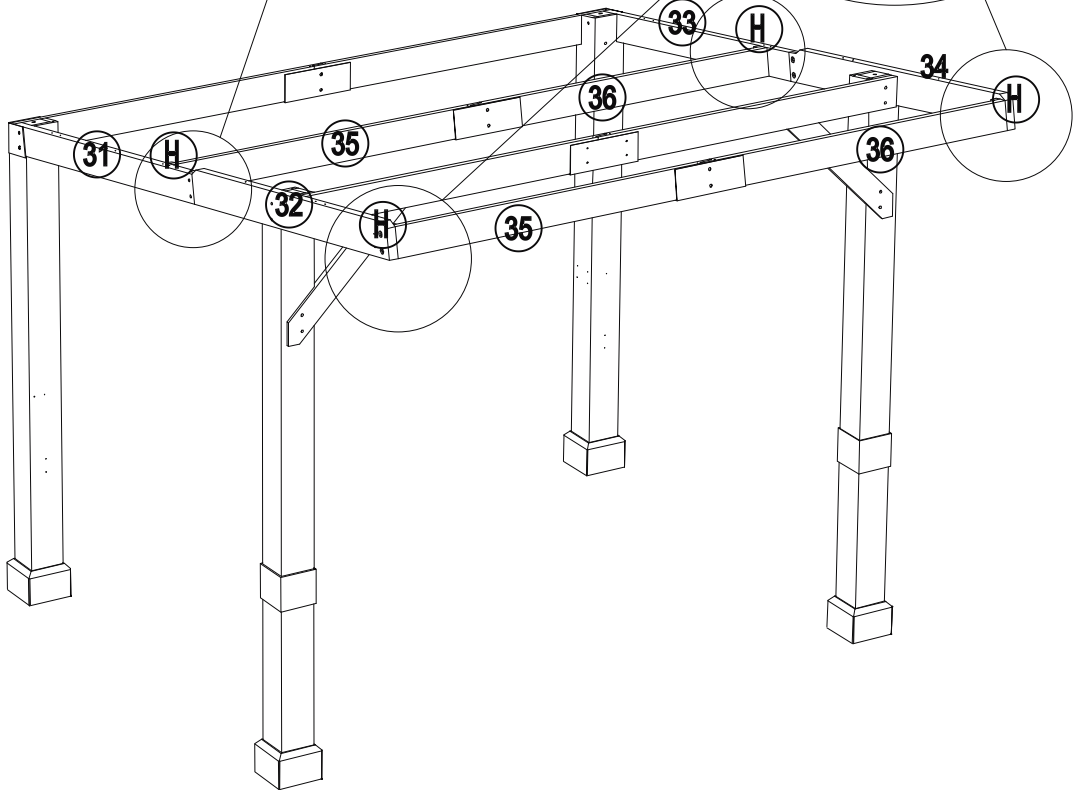
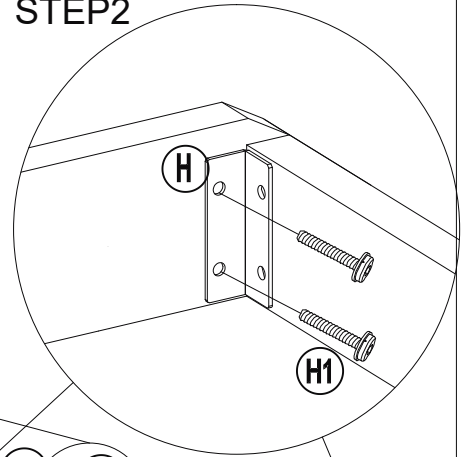
<10>



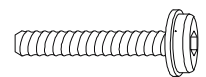
STEP1



STEP2

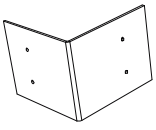


10



(H1) 8x

M8x35

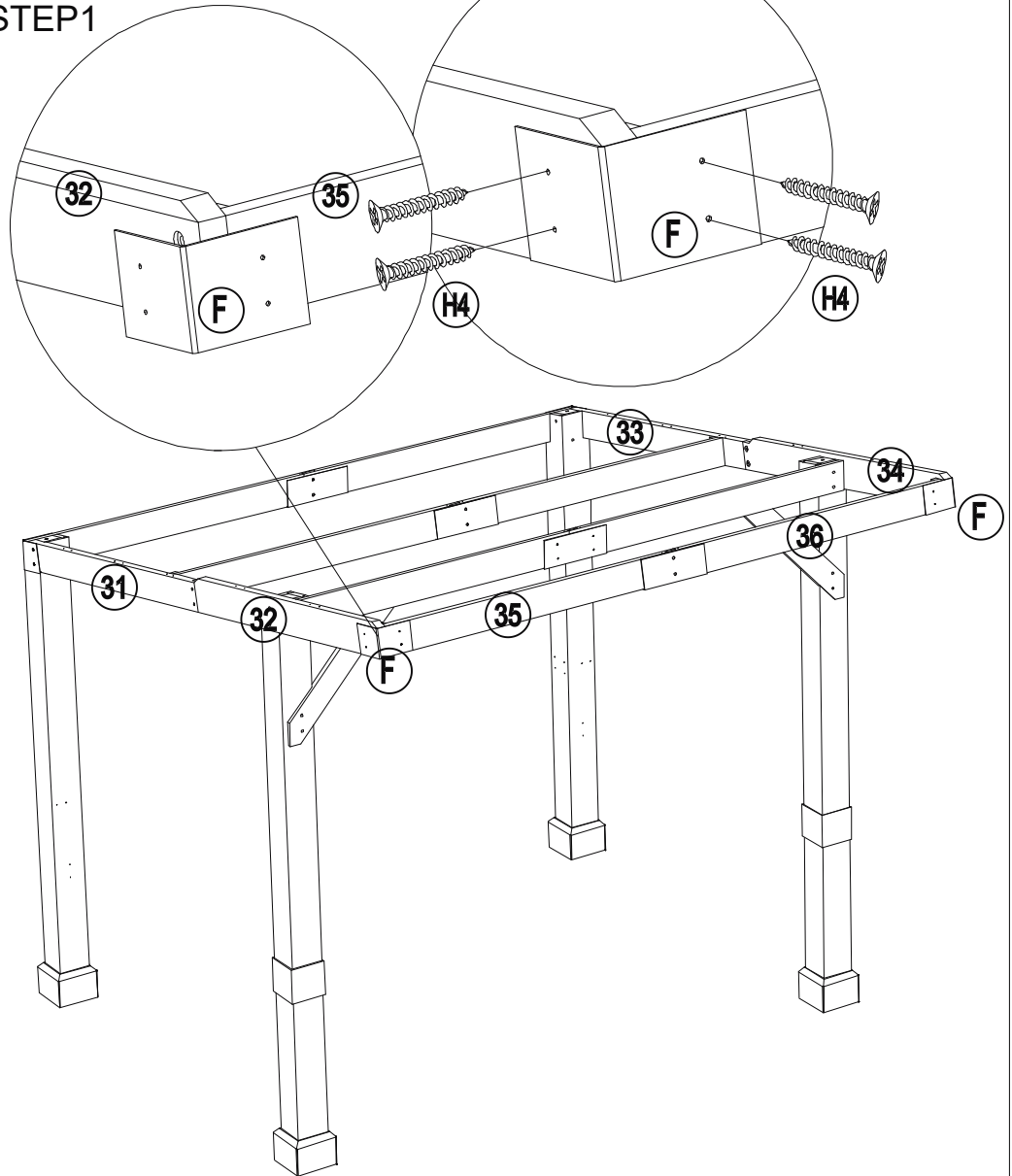


F 2x


<11>

STEP1

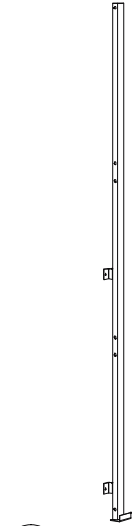
STEP2



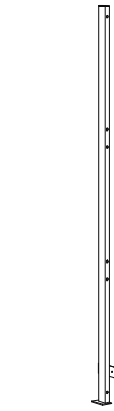
11

  
ST 4.2x25  
H4 8x

<12>

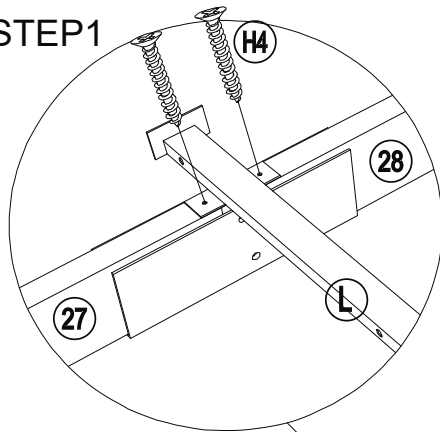


K 1x

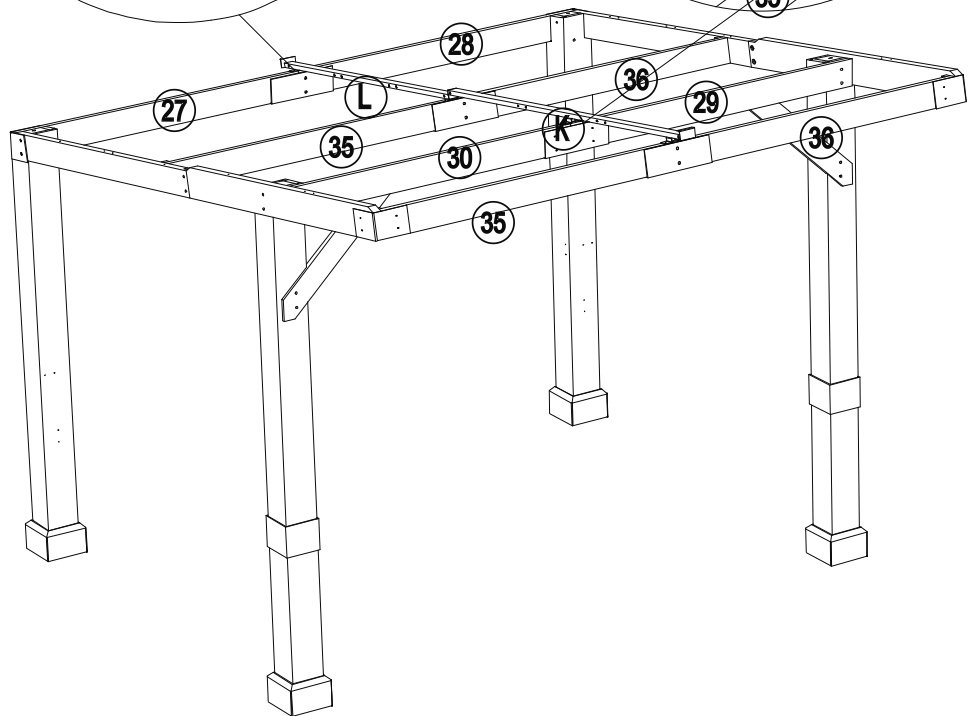
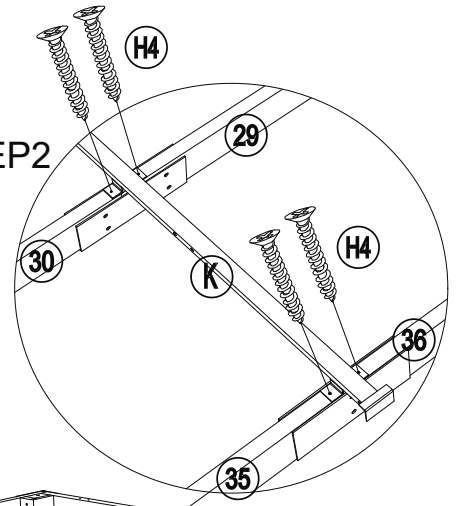


L 1x

STEP1



STEP2



12



ST 4.2x25

H4 6x

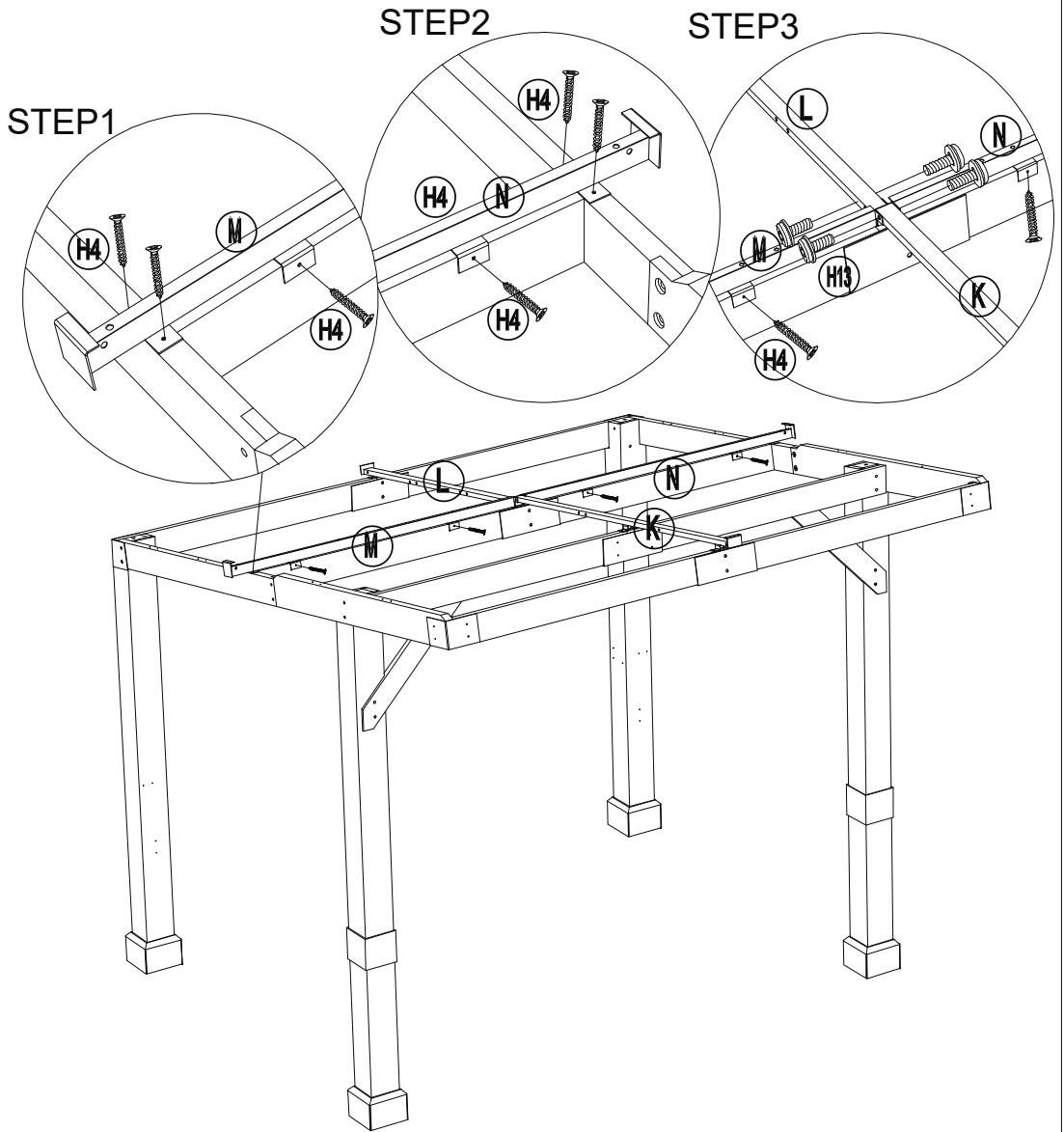
<13>



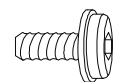
M 1x



N 1x



13



M6X15

H13 4x



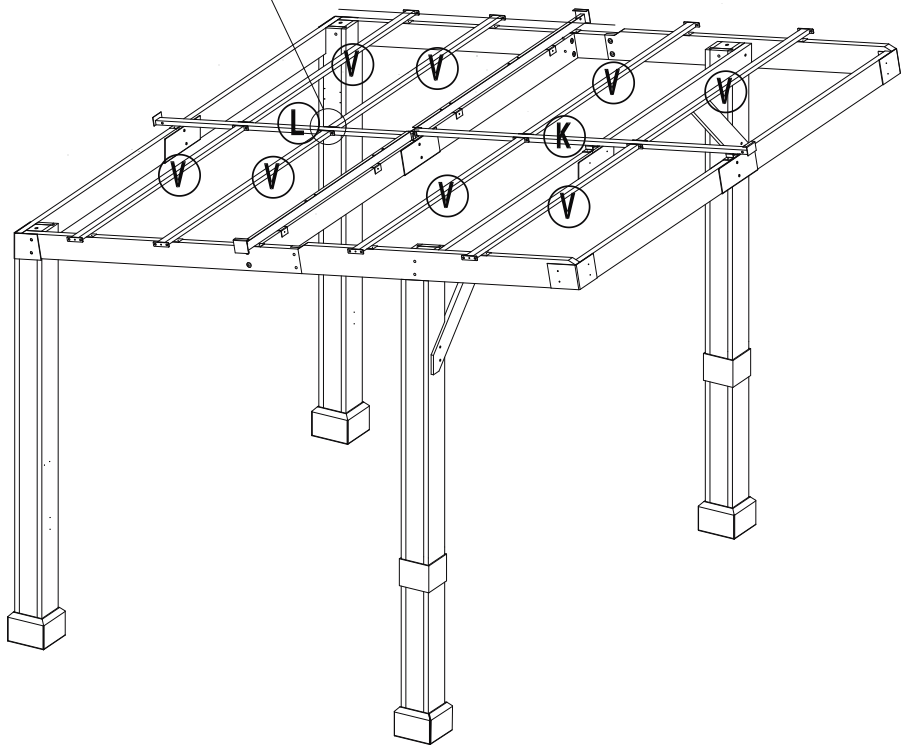
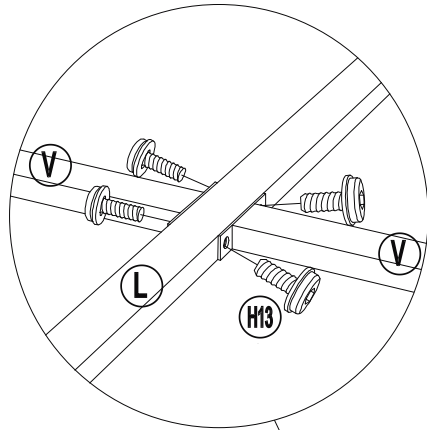
ST 4.2x25

H4 8x

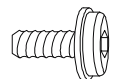
<14>



V 8x



14



M6X15

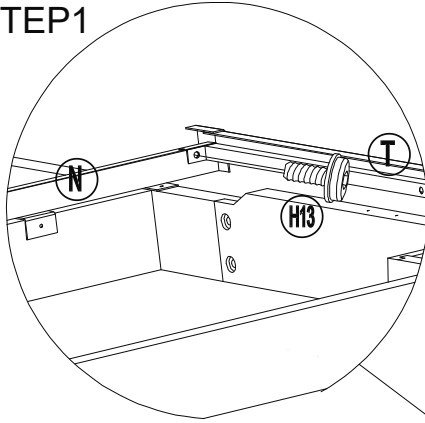
H13 16x

<15>

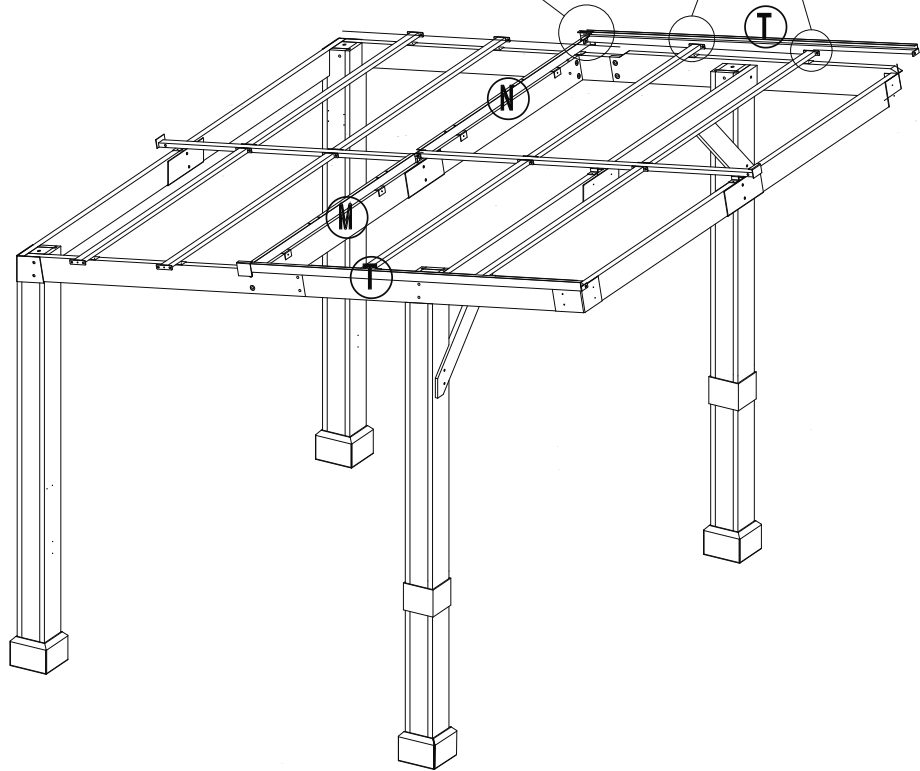
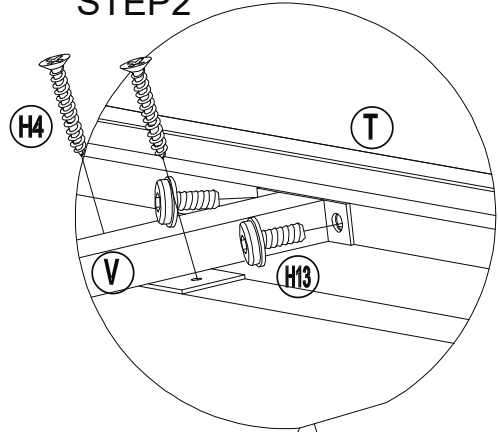


T 2x

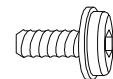
STEP1



STEP2



15



M6X15

H13 10x



ST 4.2x25

H4 8x

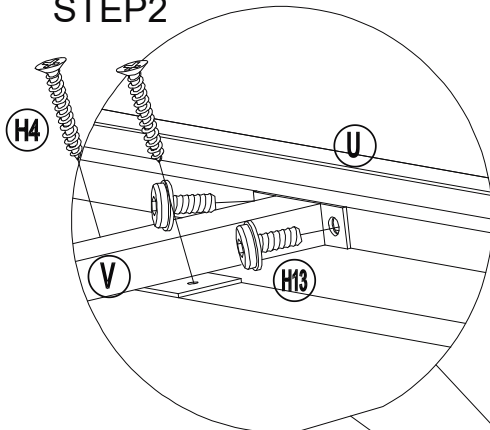


<16>

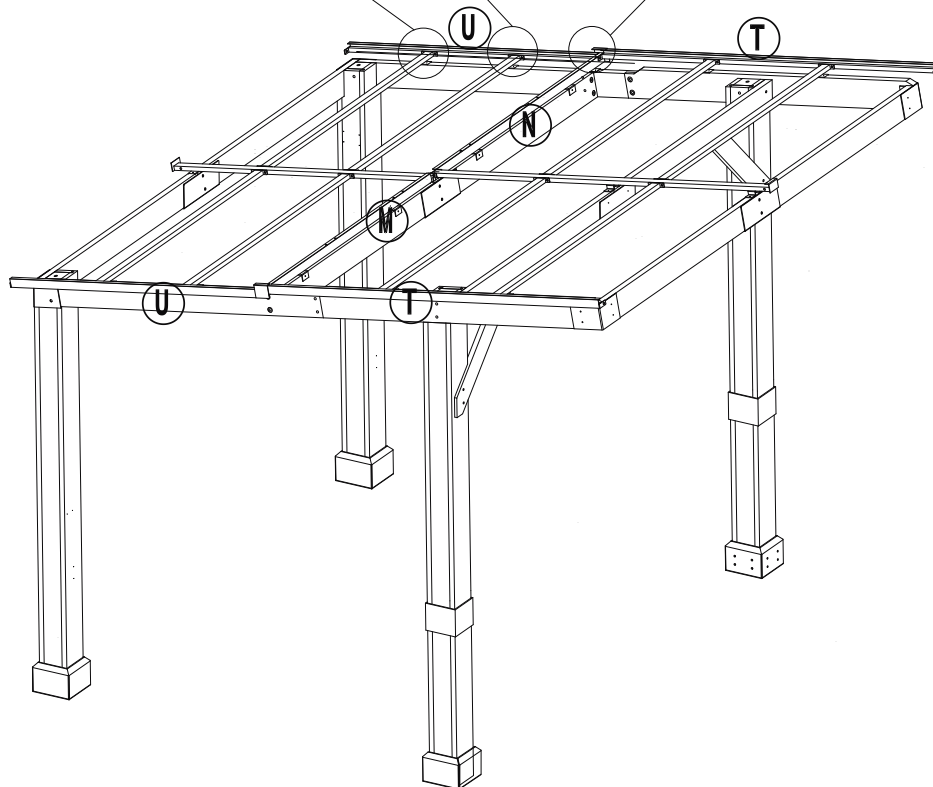
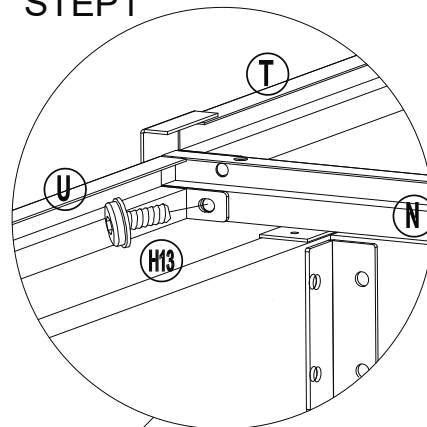


U 2x

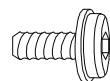
STEP2



STEP1



16



M6X15

H13 10x



ST 4.2x25

H4 8x

<17>

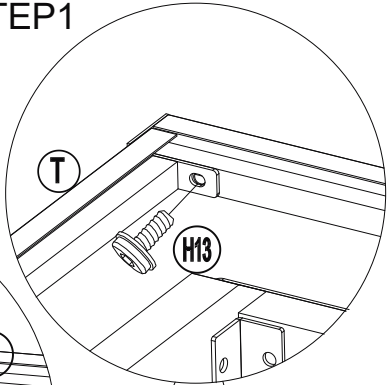


Q 1x

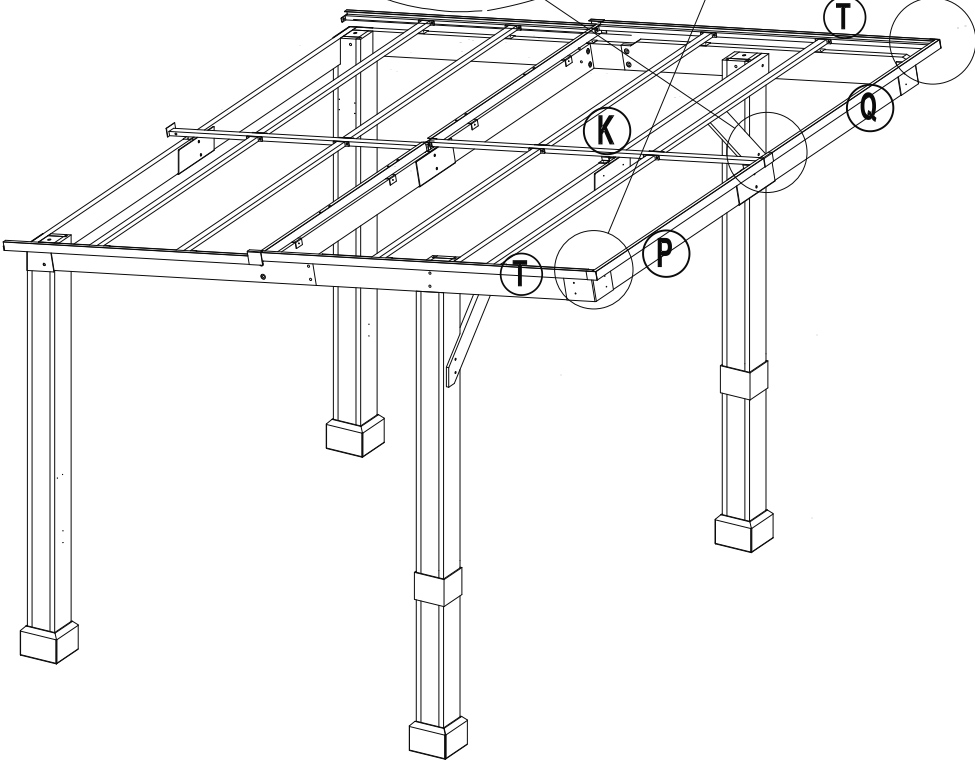
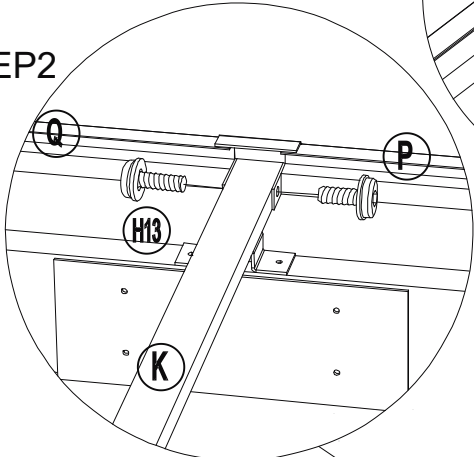


P 1x

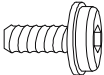
STEP1



STEP2



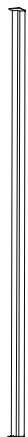
17



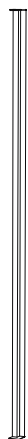
M6X15

H13 4x

<18>



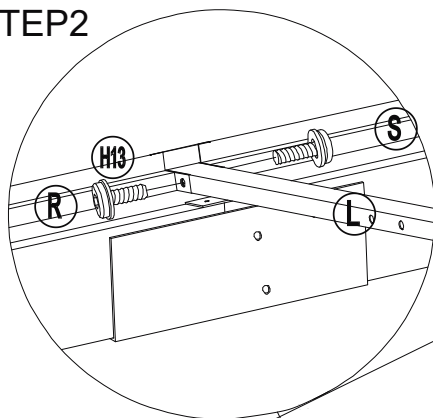
(R) 1x



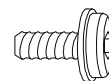
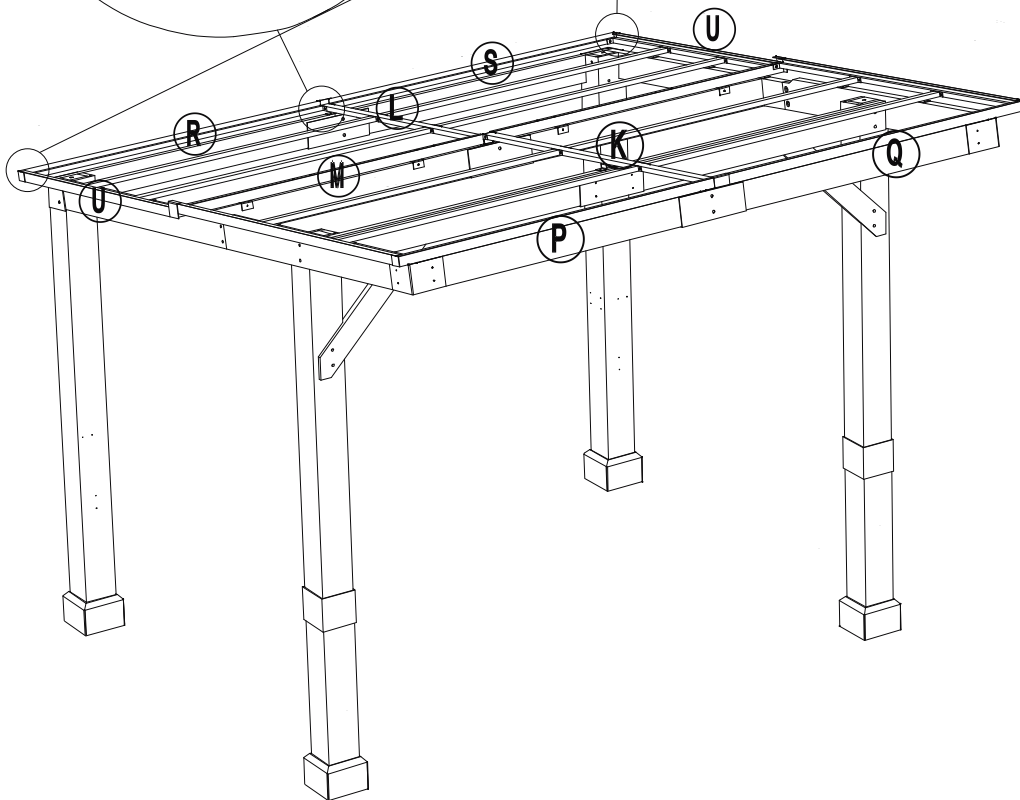
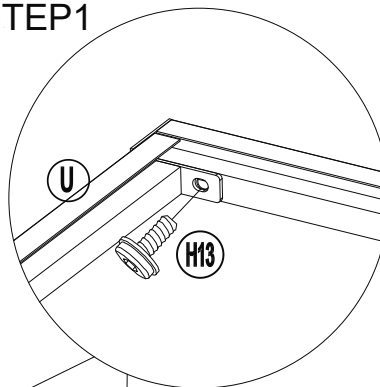
(S) 1x

18

STEP2



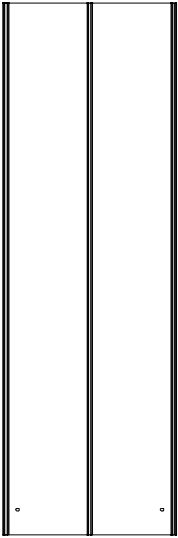
STEP1



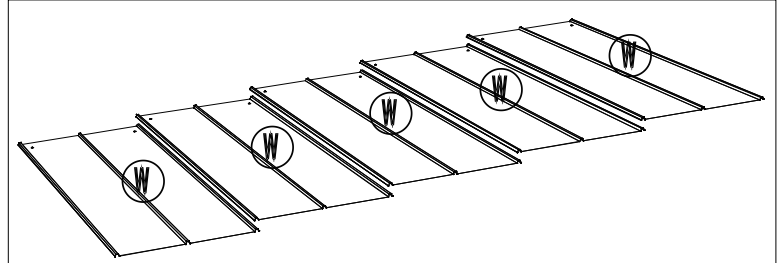
M6X15

(H13) 4x

<19>

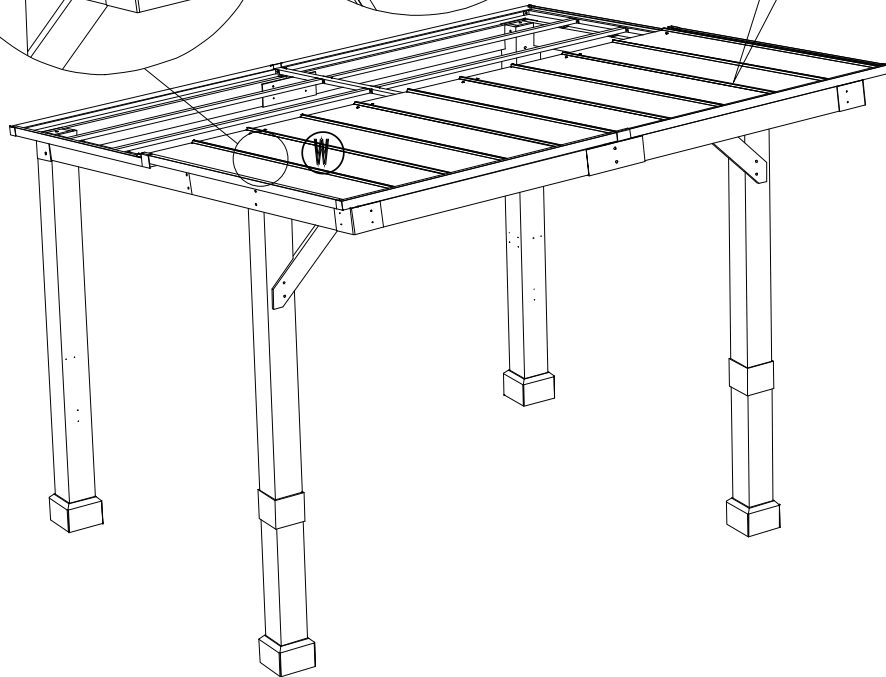
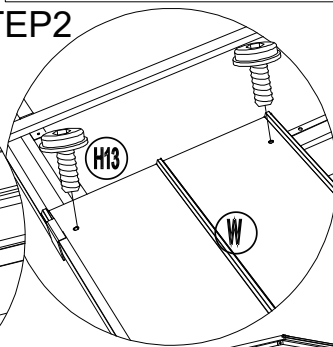
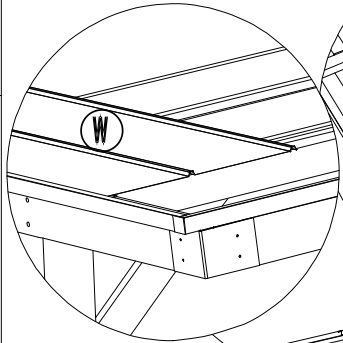


W 5x

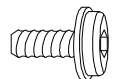


STEP1

STEP2



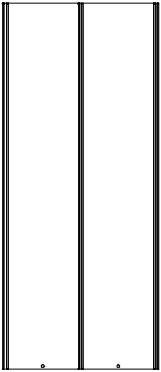
19



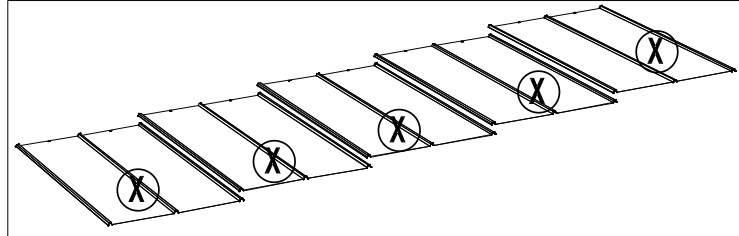
M6X15

H13 10x

<20>

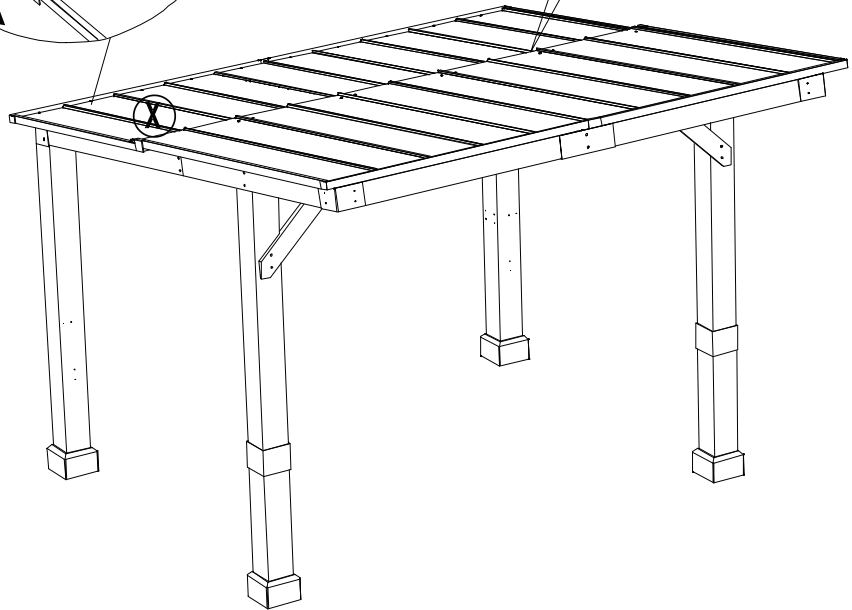
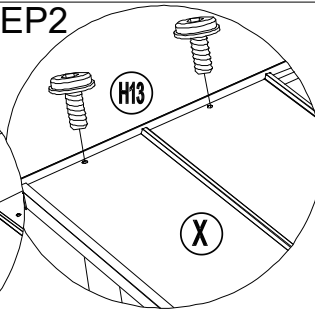
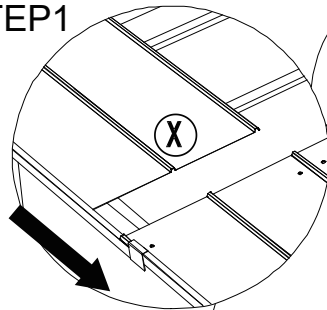


(X) 5x

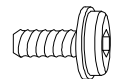


STEP2

STEP1



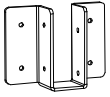
20



M6X15

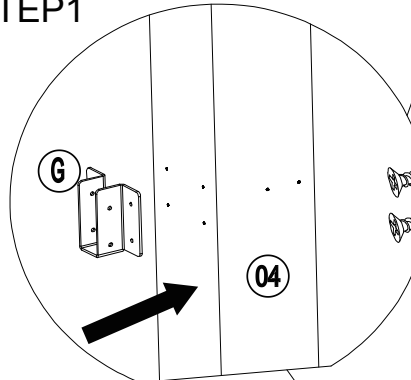
(H13) 10x

<21>

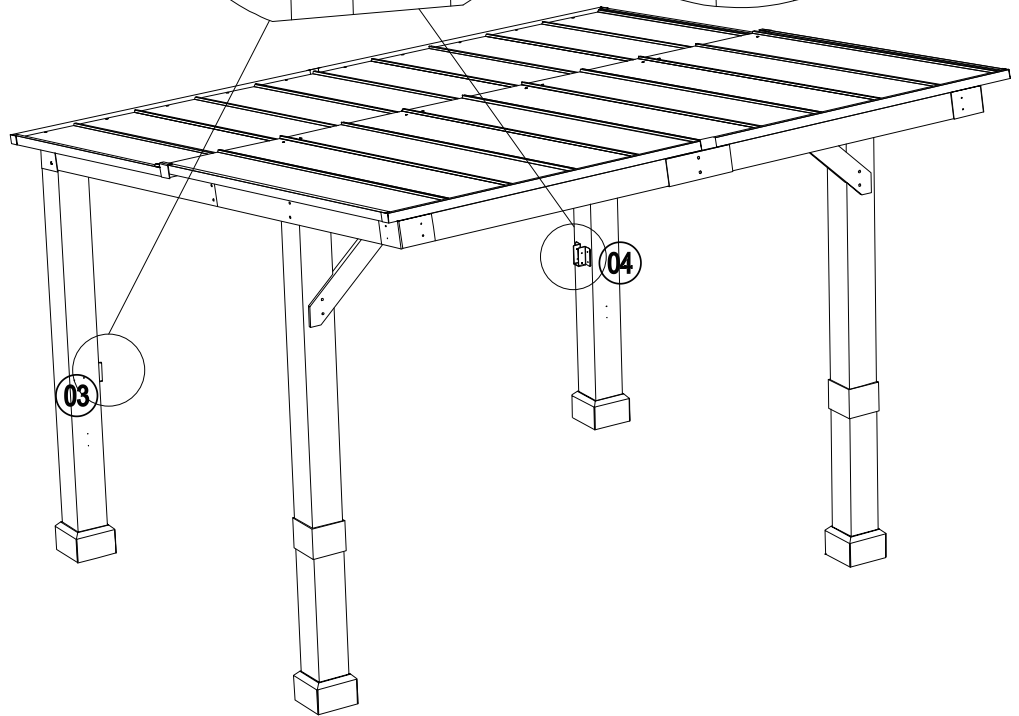
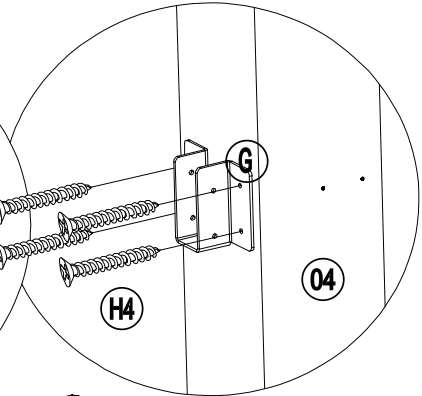


G 2x

STEP1



STEP2



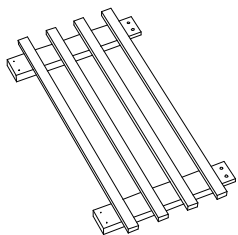
21



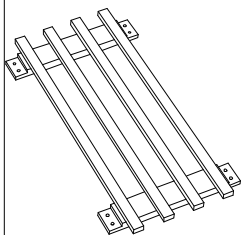
ST 4.2x25

H4 8x

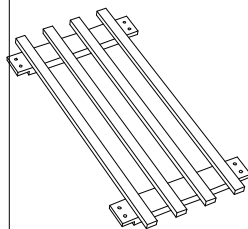
<22>



21x



22x



23x

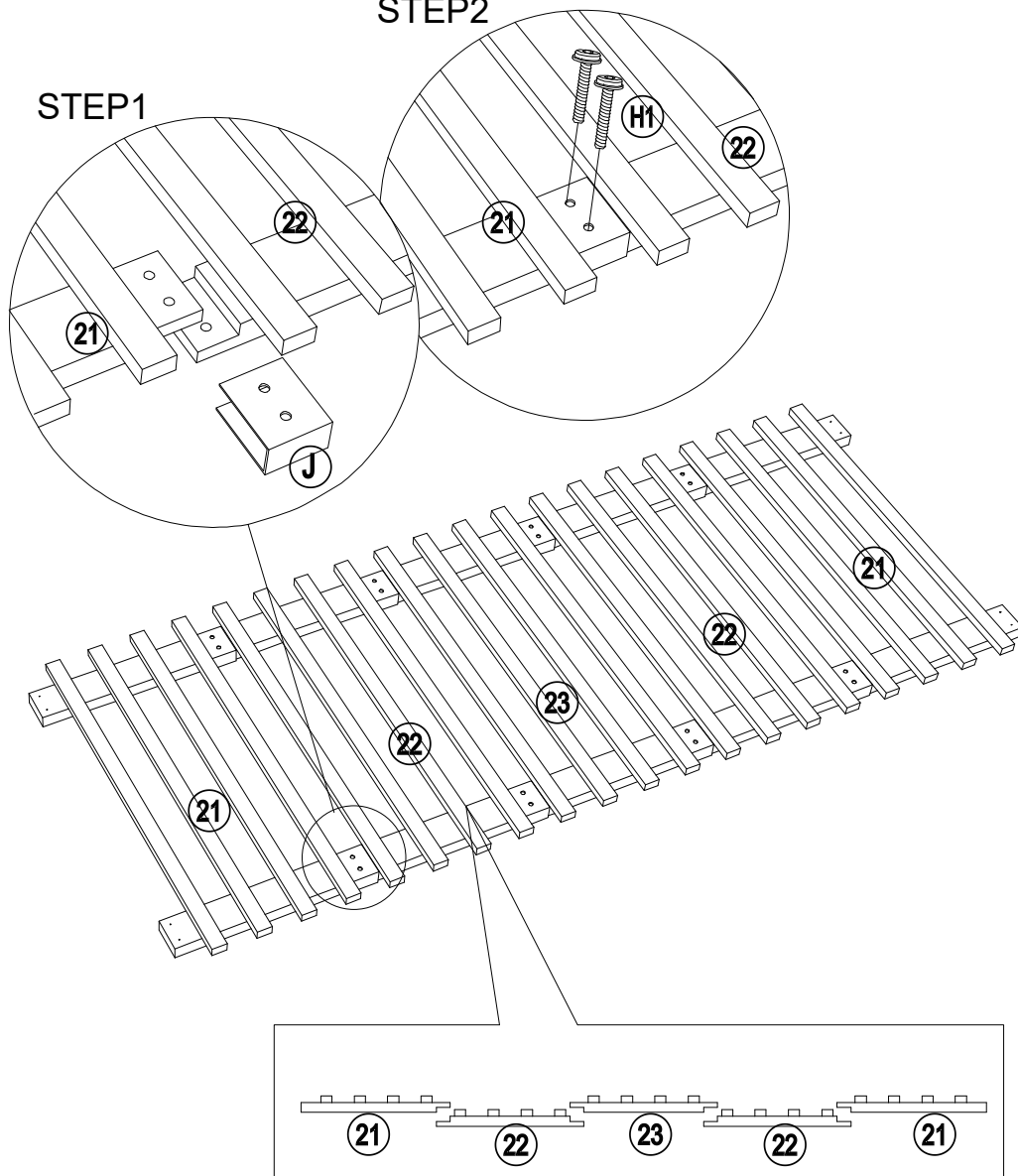


J 8x

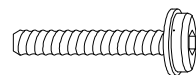
22

STEP2

STEP1



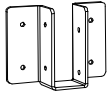
Attention:  
After ensure all screws have been in proper position, then tighten all of them.



H1 16x

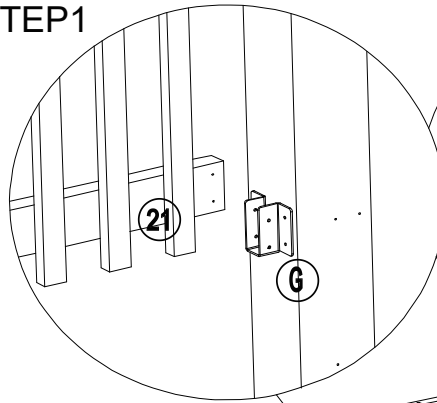
M8x35

<23>

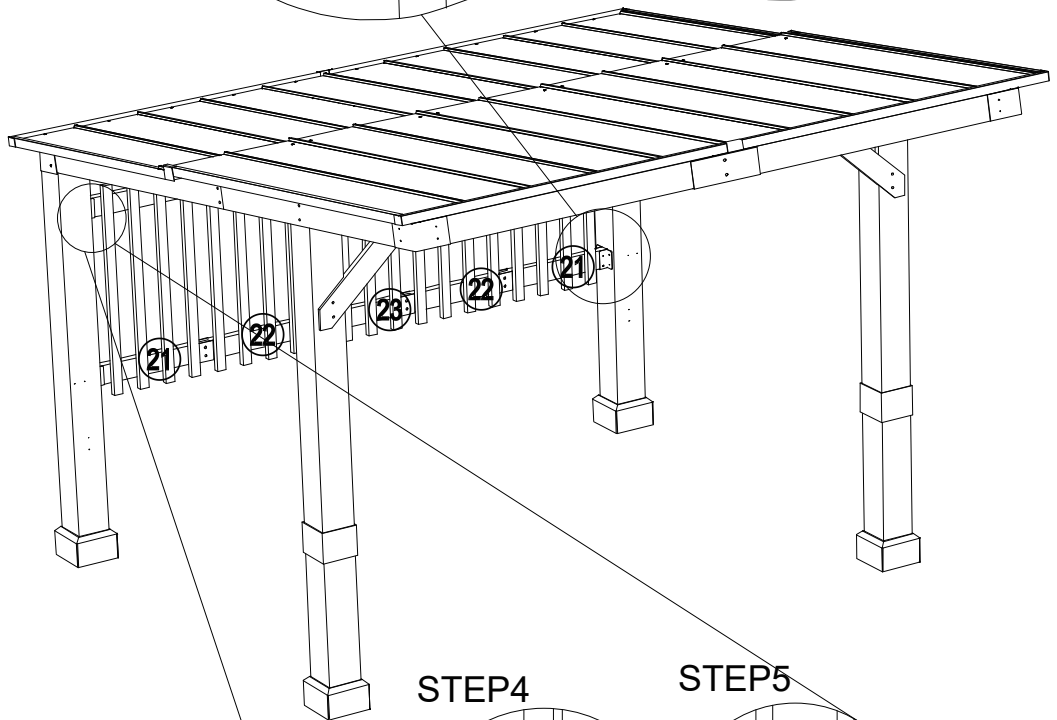
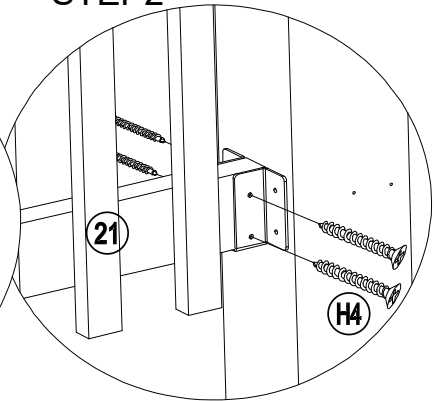


G 2x

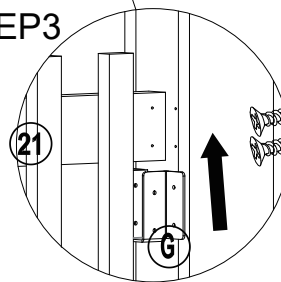
STEP1



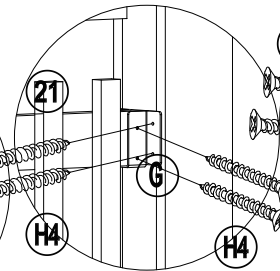
STEP2



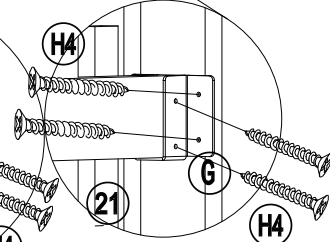
STEP3



STEP4



STEP5



23



ST 4.2x25  
H4 24x



<24>

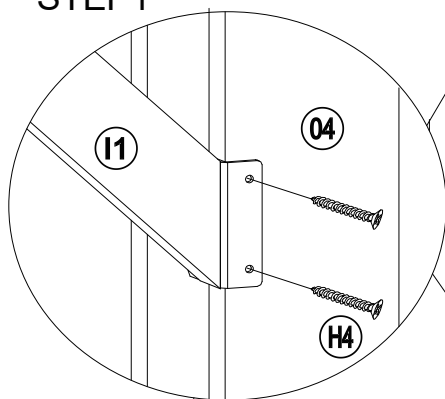


(I1) 2x

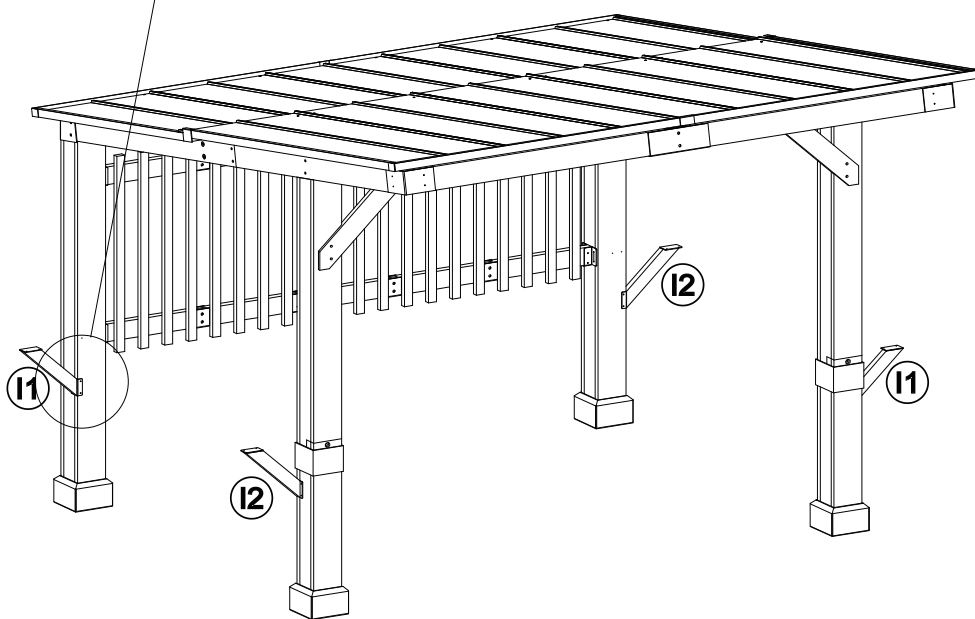
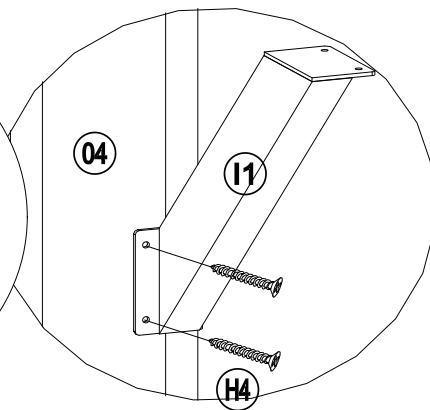


(I2) 2x

STEP1



STEP2



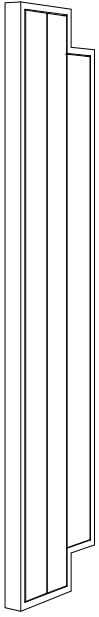
24



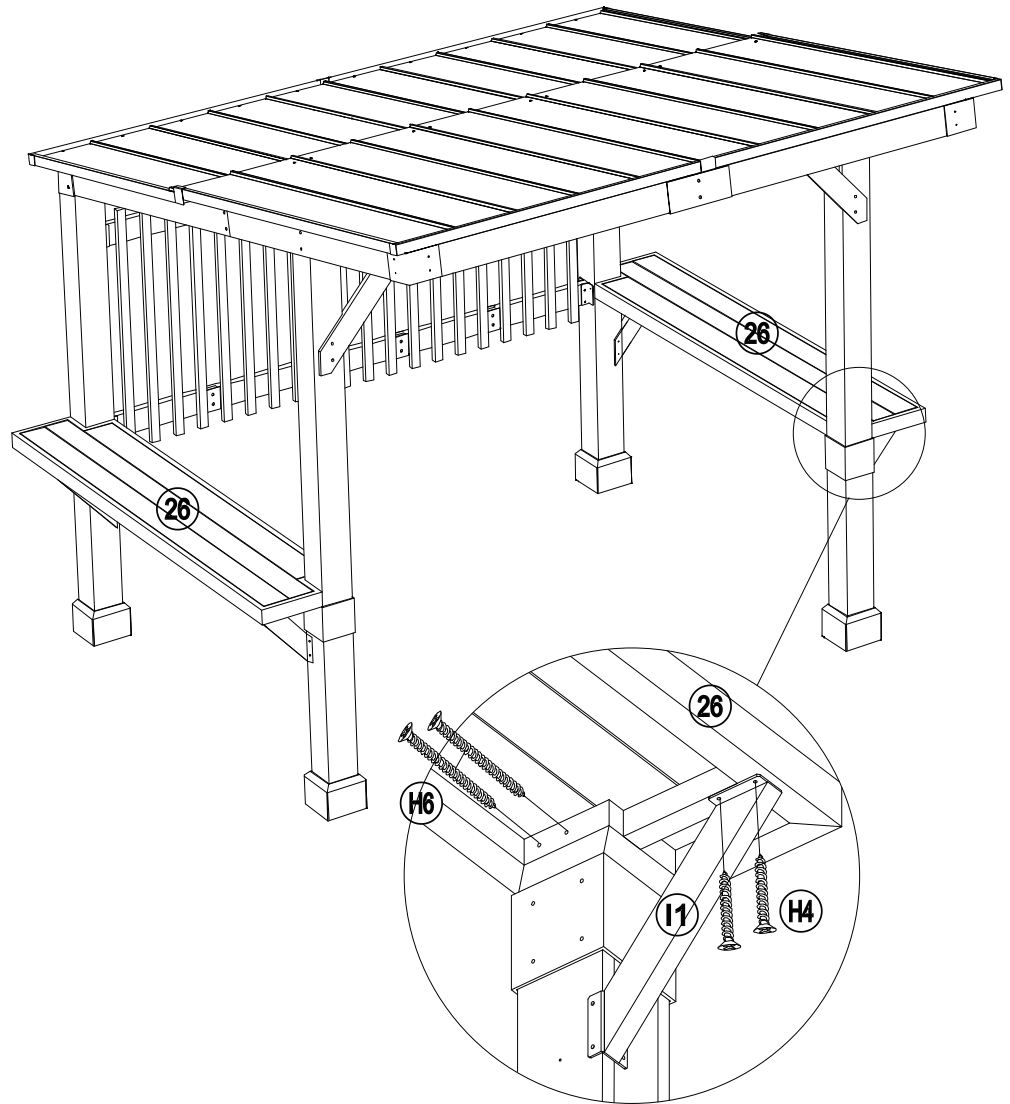
ST 4.2x25

(H4) 16x

<25>



26 2x



25

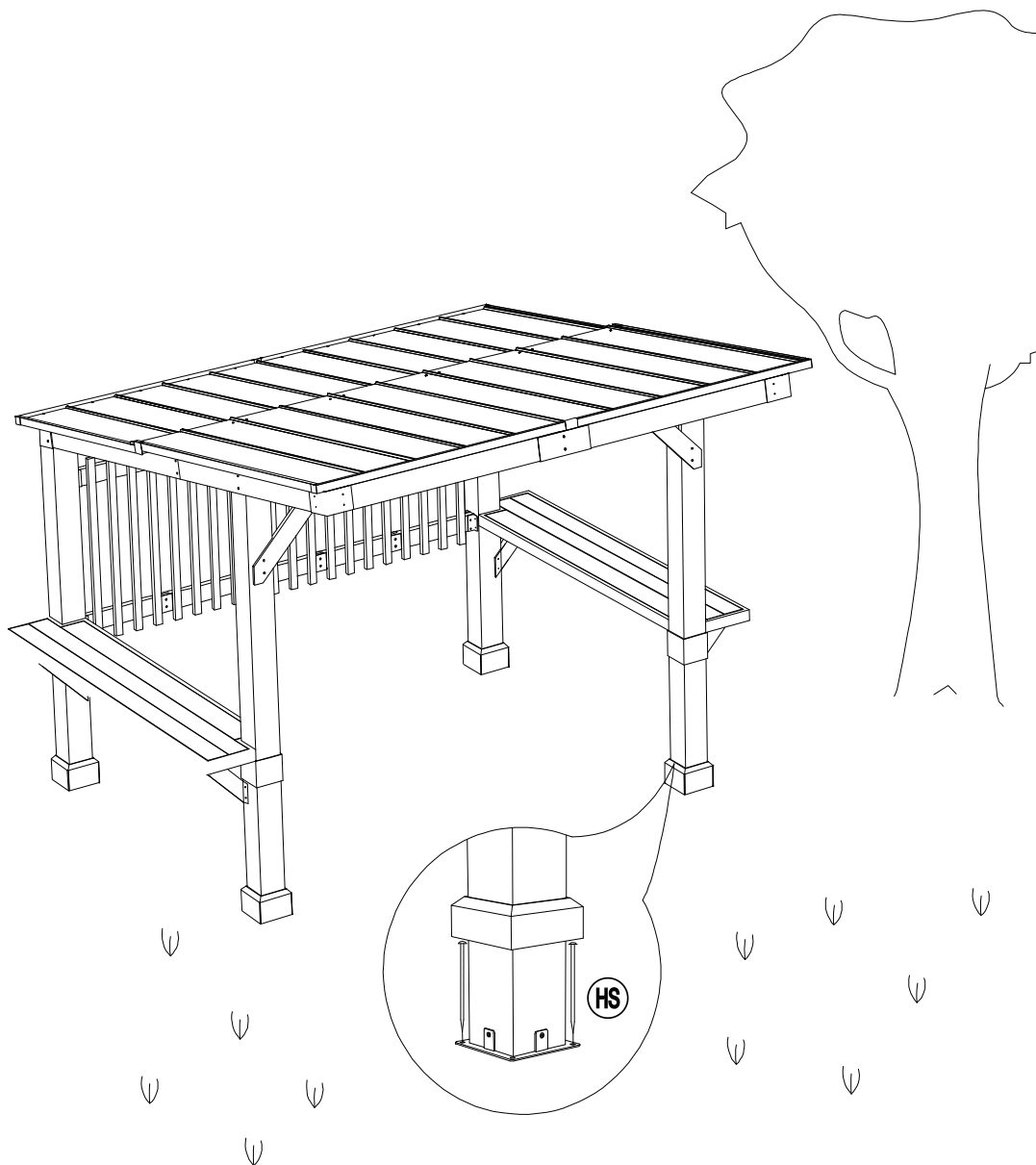


ST 4.2x60  
H6 8x



ST 4.2x25  
H4 8x

<26>



Attention:  
Please purchase the anchors from local hardware store if anchor the gazebo to concrete or wood. (Pls use expansion bolts to fix on the concrete ground or wood deck.)

26



