

XWG-098
INSTRUCTION MANUAL
13 FT x 15 FT Wood Framed Gazebo

The gazebo comes with 5 boxes. Sometimes they may be delivered on different day, please wait 2-3 more days or contact us for help

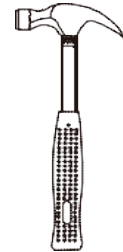
Note: The gazebo needs to be installed in cooperation with six people. The following tools are not included and needed for assembly:



Pistol Drill



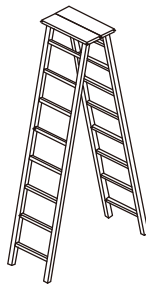
Tape Measure



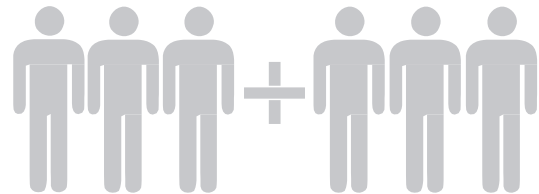
Hammer



Screw Driver



2 m Adjustable Ladder



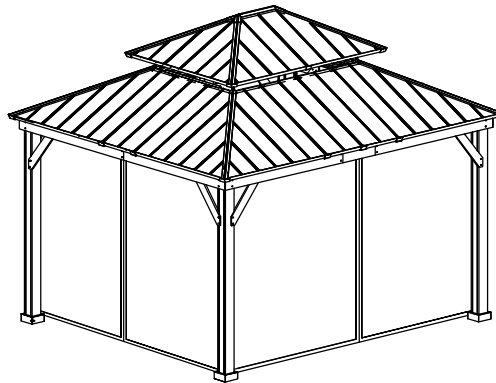
6 people

Warning

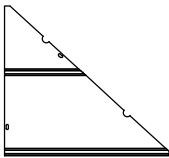
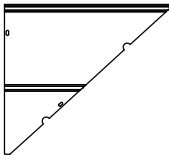
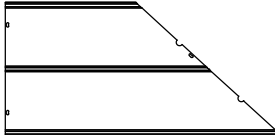
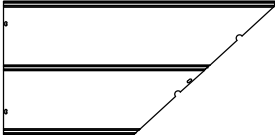
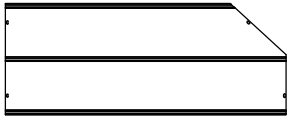
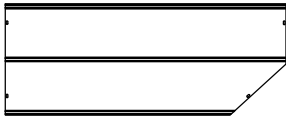
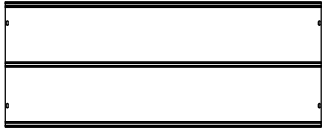
1. A 6 person assembly is required for this gazebo.
2. Please take appropriate actions as heavy rain, wind and snow can damage the gazebo. If necessary please dis-assemble and store for later use.
3. In snowy conditions, please do not allow the thickness of the snow to be more than 1.82 inch on the roof, this should be cleared as soon as possible for your safety. When the wind speed reaches 38.49 km/h, please take measures to avoid the wind.
4. Care the wooden struction of the gazebo like painting with anticorrosive paint every two months or dry the wooden parts and then paint when it is in rainy season, can let the gazebo service longer.

Attention:

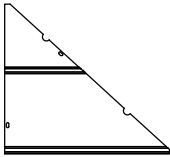
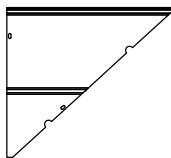
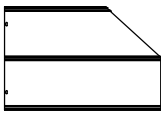
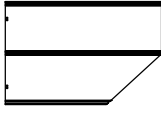
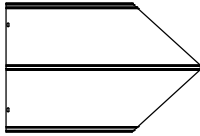

1. Please fix all the screws first, do not lock off, after assembling is fully completed, lock all at once finally.
2. Please check the manual carefully and make sure you have received all the parts.
3. If there is any missing, please let us know the letter of the parts you need.
4. If there is any damage, please send clear photos to us, we will check and offer you best solution soon.




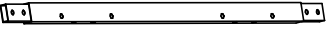
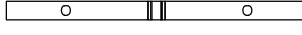
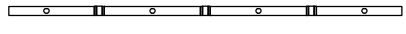

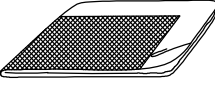


Parts List (Box A)



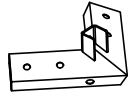

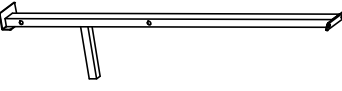

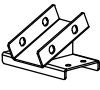


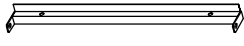





<p>P1</p>  <p>Left Small Cover Plate</p>	<p>P2</p>  <p>Right Small Cover Plate</p>	<p>P3</p>  <p>Big Roof Left Middle Cover Plate</p>	<p>P4</p>  <p>Big Roof Right Middle Cover Plate</p>
4 PCS	4 PCS	4 PCS	4 PCS
<p>P5</p>  <p>Big Roof Left Big Cover Plate</p>	<p>P6</p>  <p>Big Roof Right Big Cover Plate</p>	<p>Q2</p>  <p>Big Roof Middle Cover Plate</p>	
4 PCS	4 PCS	6 PCS	









Parts List (Box B)

<p>P1</p>  <p>Left Small Cover Plate</p>	<p>P2</p>  <p>Right Small Cover Plate</p>	<p>Q3</p>  <p>Top Roof Left Small Cover Plate</p>
4 PCS	4 PCS	2 PCS
<p>Q4</p>  <p>Top Roof Right Small Cover Plate</p>	<p>Q5</p>  <p>Top Roof Middle Cover Plate</p>	<p>H</p>  <p>Middle Beam</p>
2 PCS	2 PCS	10 PCS

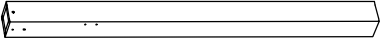
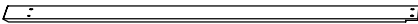
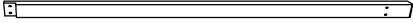


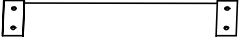

L1	 Big Roof Up Beam 12 PCS	L2	 Big Roof Down Beam 8 PCS	L3	 Big Roof Middle Beam 8 PCS
E3	 Big Roof Short Side Tube 2 PCS	S1	 Press Panel 1 4 PCS	S2	 Press Panel 2 16 PCS
U5	 Curtain 1 PC	U6	 Mosquito netting 1 PC		

Parts List (Box C)

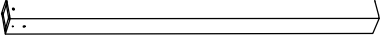
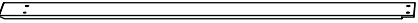
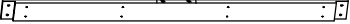
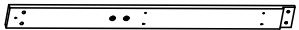
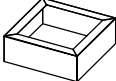

D1	 Top Roof Connector 1 PC	E4	 Big Roof Short Side Tube 2 PCS	E5	 Corner Connector 4 PCS
F1	 Top Roof Side Beam 4 PCS	F2	 Top Roof Middle Beam 2 PCS	G	 Side Beam 4 PCS
J	 Middle Beam Lower Connector 10 PCS	K1	 Big Roof Left Lower Tube 4 PCS	K2	 Big Roof Right Lower Tube 4 PCS
K3	 Long Roof Middle Lower Tube 6 PCS	K6	 Top Roof Short Tube 2 PCS	K7	 Top Roof Long Tube L 2 PCS
K8	 Top Roof Long Tube F 2 PCS	M2	 Screen Short Tube 4 PCS	M3	 Screen Long Tube 4 PCS

R1	 Top Roof Middle Cover 1 PC	R4	 Top Roof Side Cover 4 PCS	R3	 Side Cover 4 PCS
L3	 Big Roof Middle Beam 4 PCS	L4	 Top Roof Up Beam 2 PCS	I	 Side Beam Lower Connector 4 PCS
T	 Plastic ring 104 PCS	V	 Rubber Gasket 18 PCS		

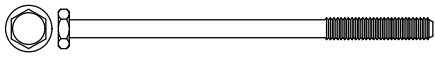
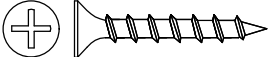
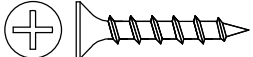
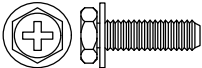
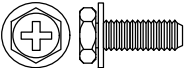

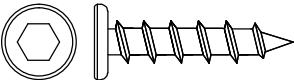
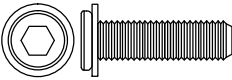

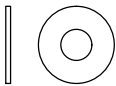
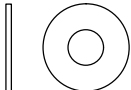
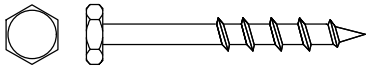
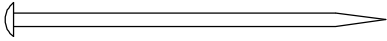
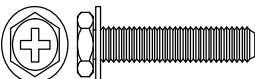






Parts List (Box D)

08	 Post 2 PCS	01	 Outer Long Left Beam (Long) 2 PCS	02	 Outer Long Right Beam (Long) 2 PCS
10	 Arc Support 1 4 PCS	11	 Arc Support 2 4 PCS	16	 Middle beam of external long side 2 PCS
07	 Inner Short Beam (Long) 4 PCS				

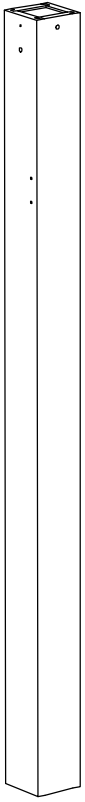
Parts List (Box E)

08	 Post 2 PCS	01	 Outer Long Left Beam (Long) 4 PCS	05	 Inner Middle Beam 4 PCS
18	 Beam of Internal Long Side 4 PCS	B	 Base Cover 4 PCS	C	 Base 4 PCS

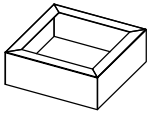
Parts List (Box E)

<p>AA</p>  <p>Hex Head Bolt M10x205</p> <p style="text-align: center;">8 PCS</p>	<p>CC</p>  <p>Self-tapping Screw M5x40</p> <p style="text-align: center;">72 PCS</p>	<p>EE</p>  <p>Self-tapping Screw M5x30</p> <p style="text-align: center;">88 PCS</p>
<p>FF</p>  <p>Hex Head Bolt M6x20</p> <p style="text-align: center;">340 PCS</p>	<p>GG</p>  <p>Hex Head Bolt M6x15</p> <p style="text-align: center;">6 PCS</p>	<p>HH</p>  <p>Hexagon Socket Bolt M8x35</p> <p style="text-align: center;">16 PCS</p>
<p>II</p>  <p>Self-tapping Screw M8x35</p> <p style="text-align: center;">16 PCS</p>	<p>KK</p>  <p>Hexagon Socket Bolt M8x25</p> <p style="text-align: center;">28 PCS</p>	<p>LL</p>  <p>Non-Slip Nut M10</p> <p style="text-align: center;">8 PCS</p>
<p>MM</p>  <p>Washer M8</p> <p style="text-align: center;">16 PCS</p>	<p>NN</p>  <p>Washer, M10</p> <p style="text-align: center;">24 PCS</p>	<p>OO</p>  <p>Hex Head Screw M10x80</p> <p style="text-align: center;">8 PCS</p>
<p>PP</p>  <p>Stake Φ8x180</p> <p style="text-align: center;">8 PCS</p>	<p>QQ</p>  <p>Hex Head Bolt M6x40</p> <p style="text-align: center;">16 PCS</p>	<p>SS</p>  <p>Hex Head Bolt M6x60</p> <p style="text-align: center;">2 PCS</p>
<p>RR</p>  <p>M3 Drill</p> <p style="text-align: center;">2 PCS</p>	<p>Z1</p>  <p>Wrench, M6</p> <p style="text-align: center;">2 PCS</p>	<p>Z2</p>  <p>Allen Key, M8</p> <p style="text-align: center;">2 PCS</p>
<p>Z4</p>  <p>Wrench, M10</p> <p style="text-align: center;">2 PCS</p>	<p>P</p>  <p>Hook, M8</p> <p style="text-align: center;">1 PC</p>	

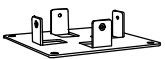
<1>



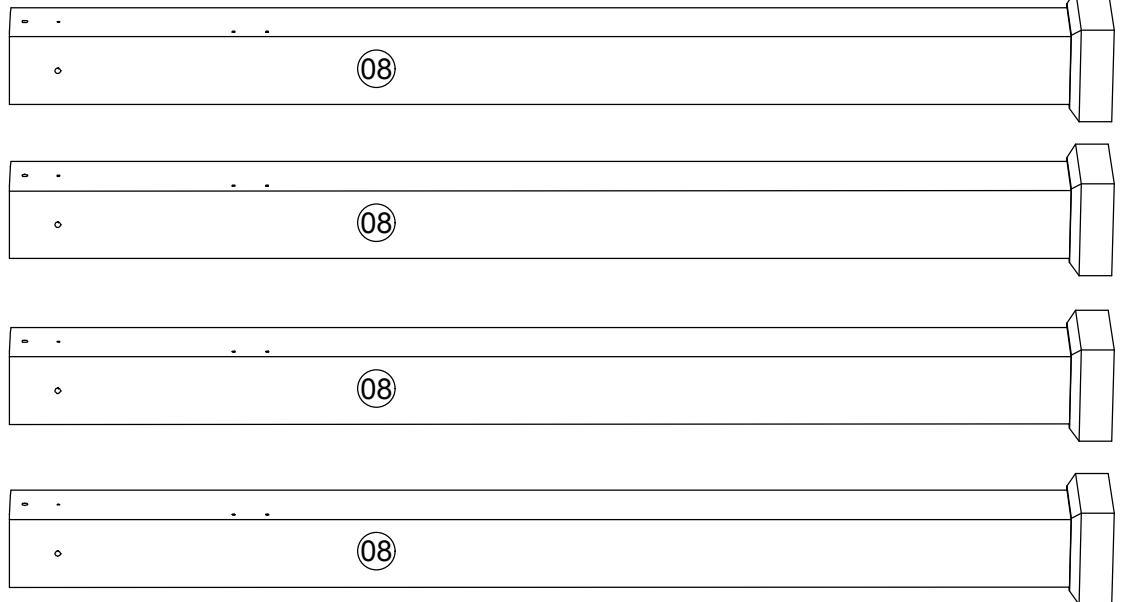
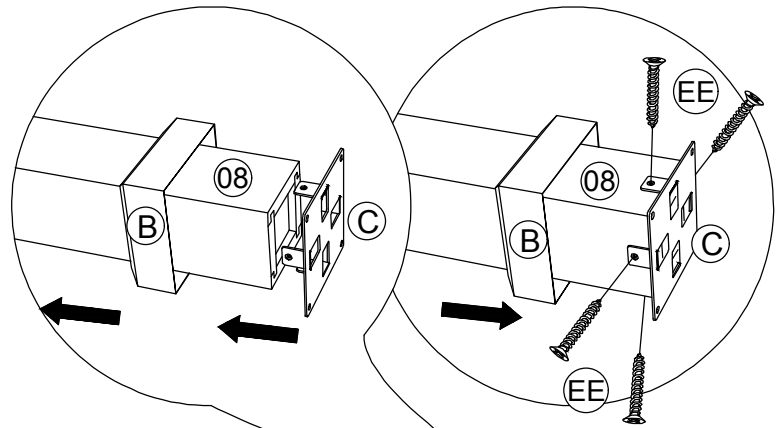
08 x4



B x4



C x4



M5x30

EE x16

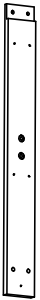
<2>



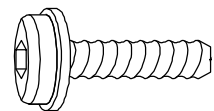
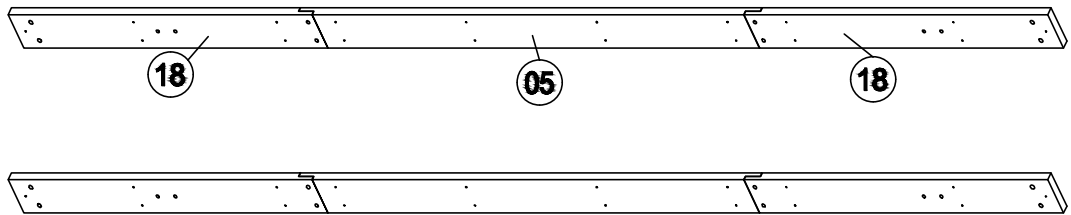
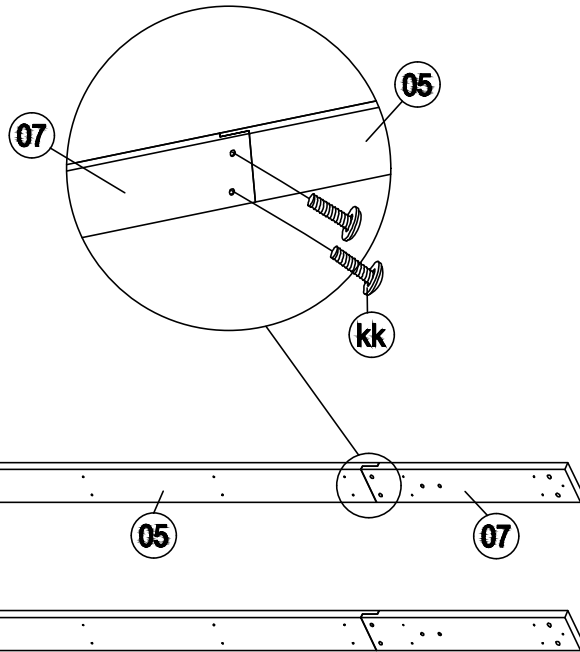
05 x4



07 x4



18 x4



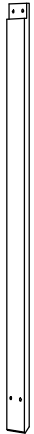
M8x25

kk x16

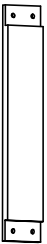
<3>



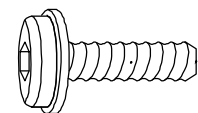
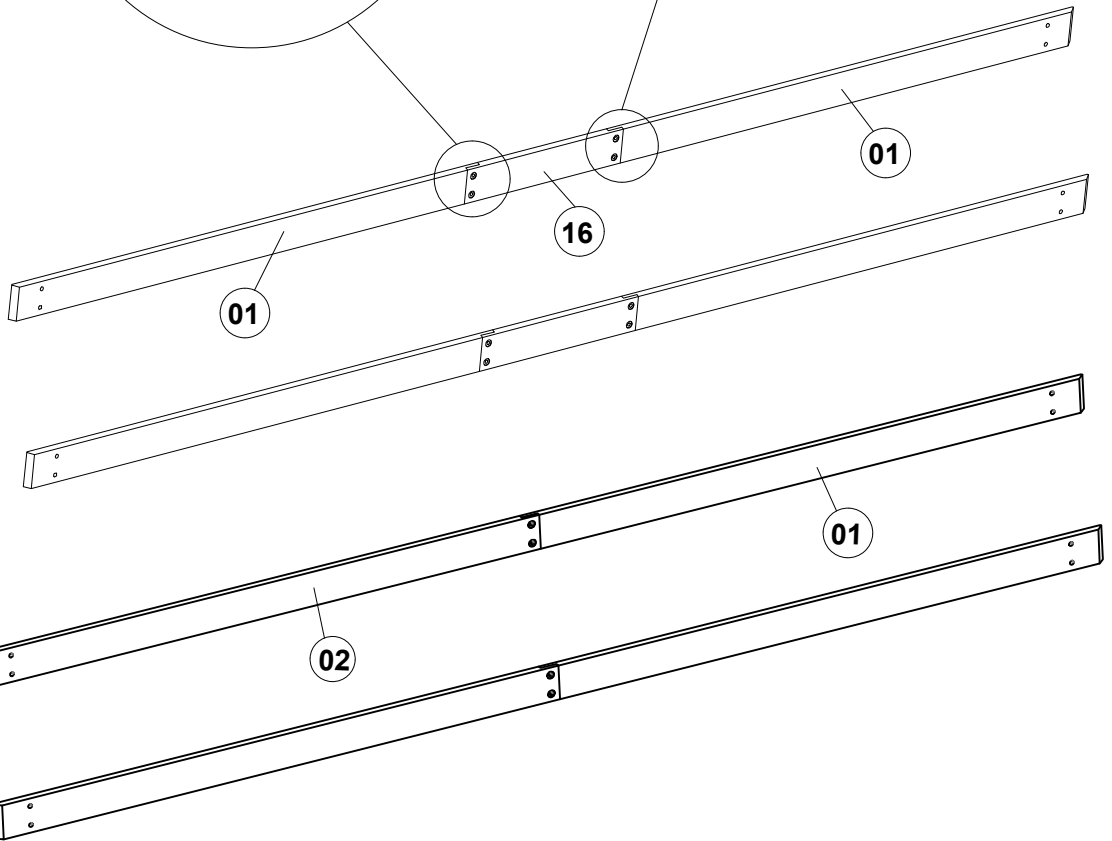
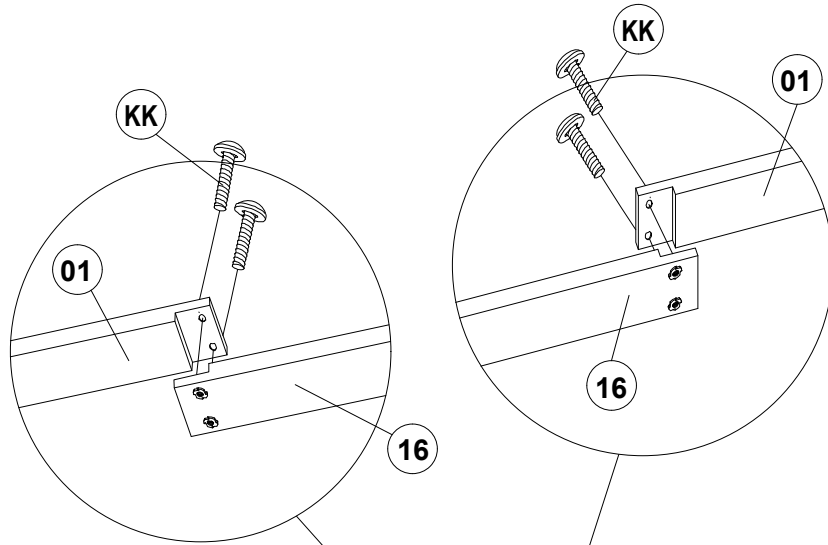
01 x6



02 x2



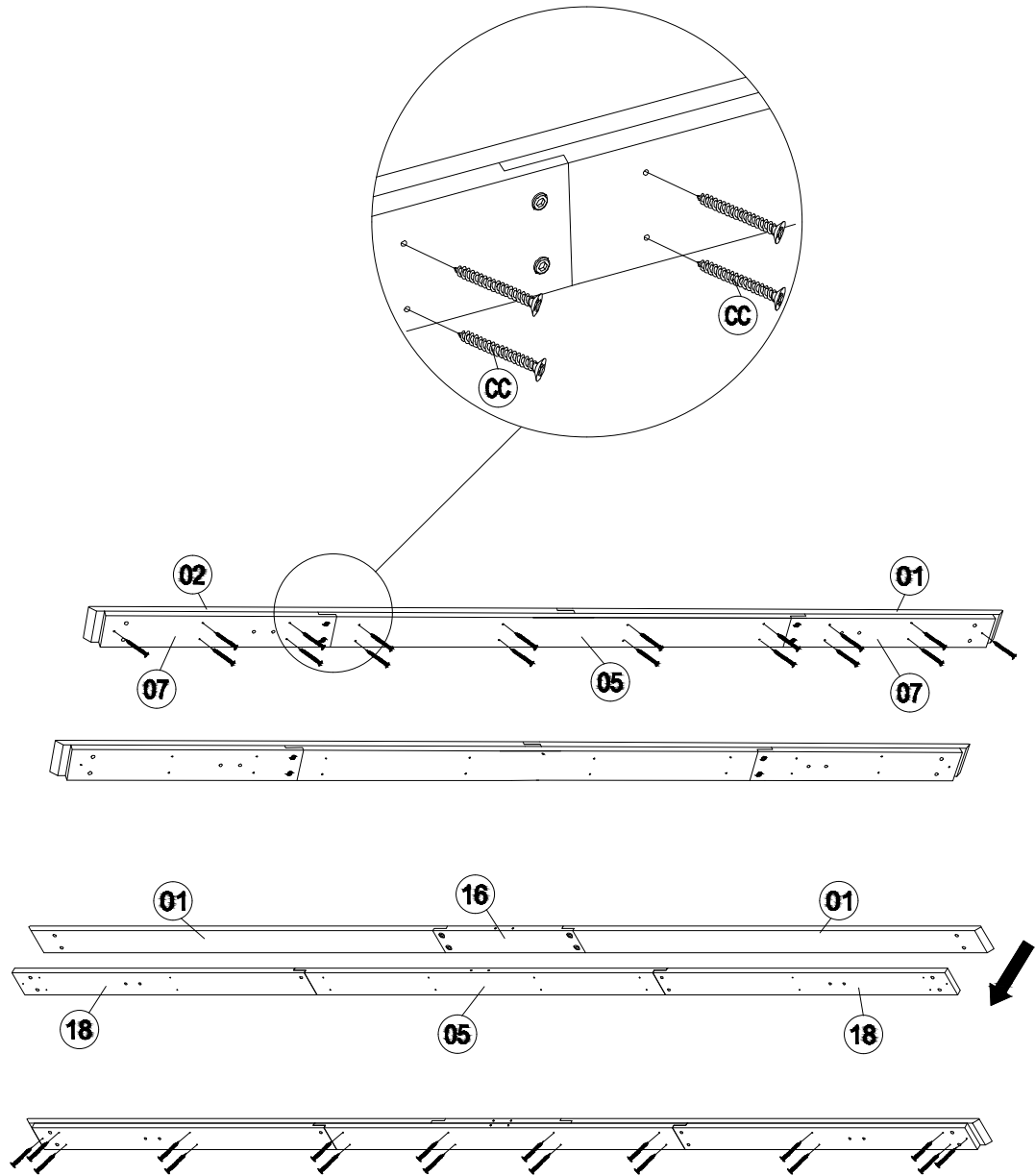
16 x2



M8x25

KK x12

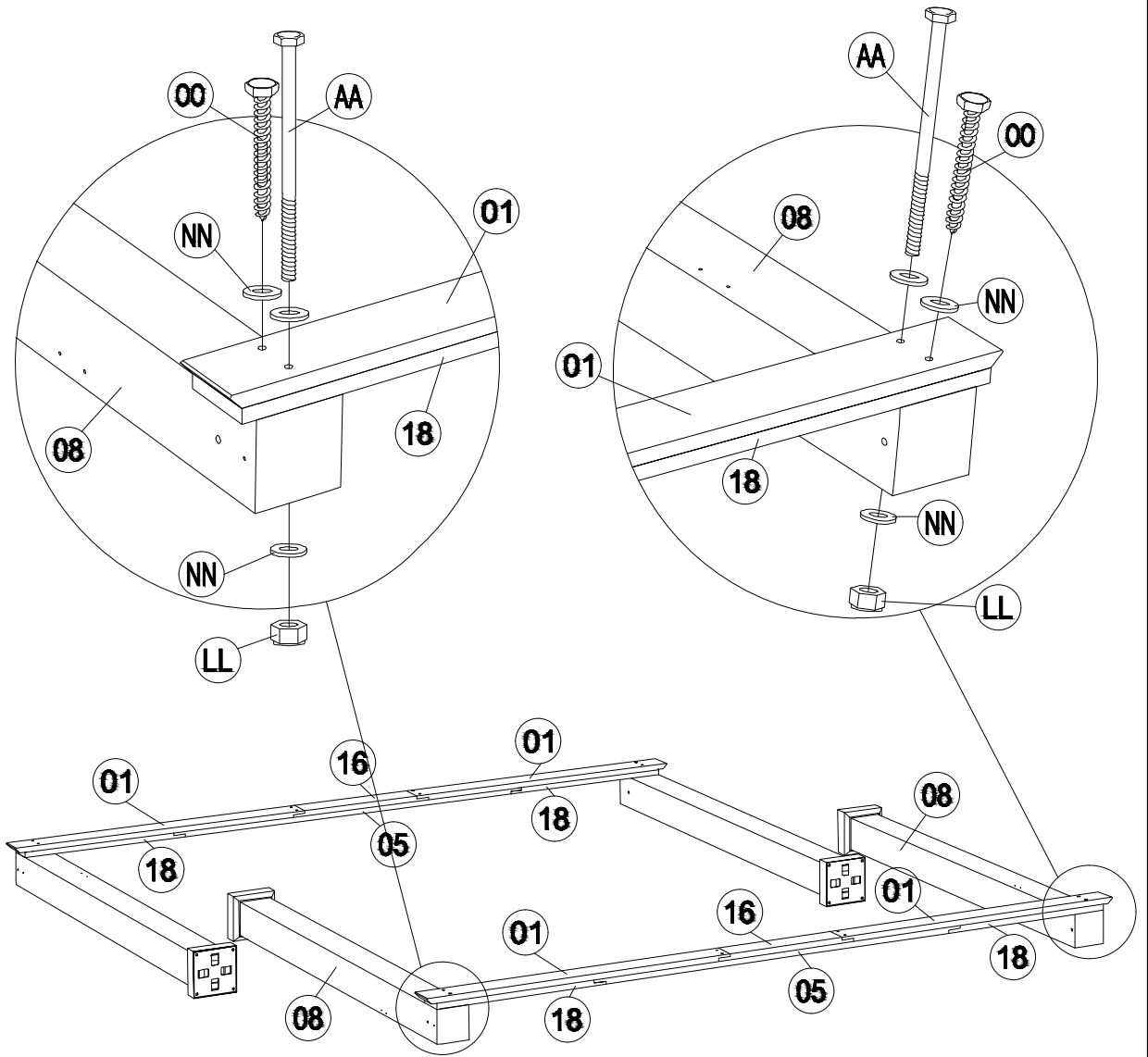
<4>




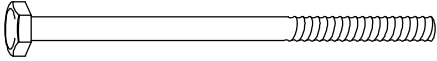


M5x40

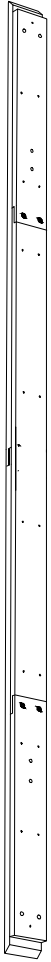
CC x72

<5>

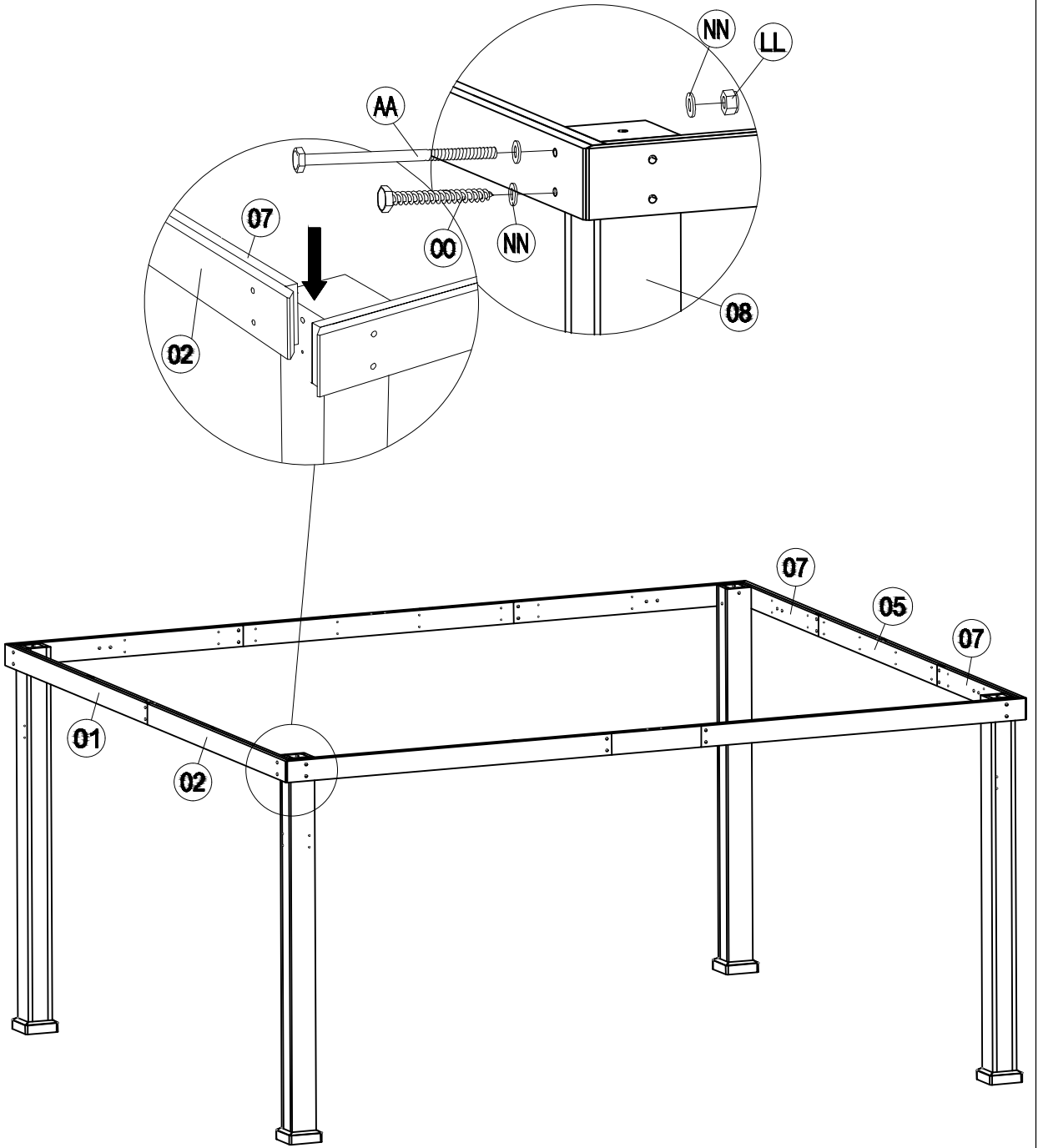





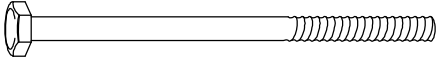
 M10 LL x4	 M10 NN x12	 M10x80 OO x4	 M10x205 AA x4
---	--	---	---

<6>



2pcs



 M10 LL x4	 M10 NN x12	 M10x80 OO x4	 M10x205 AA x4
---	--	---	---

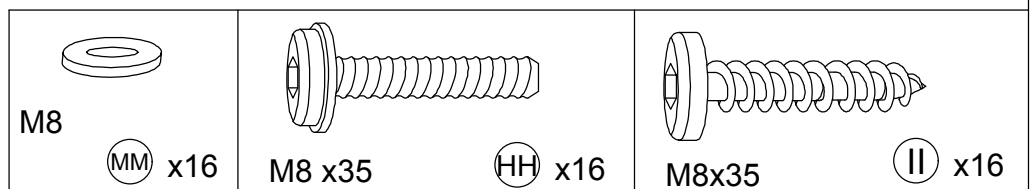
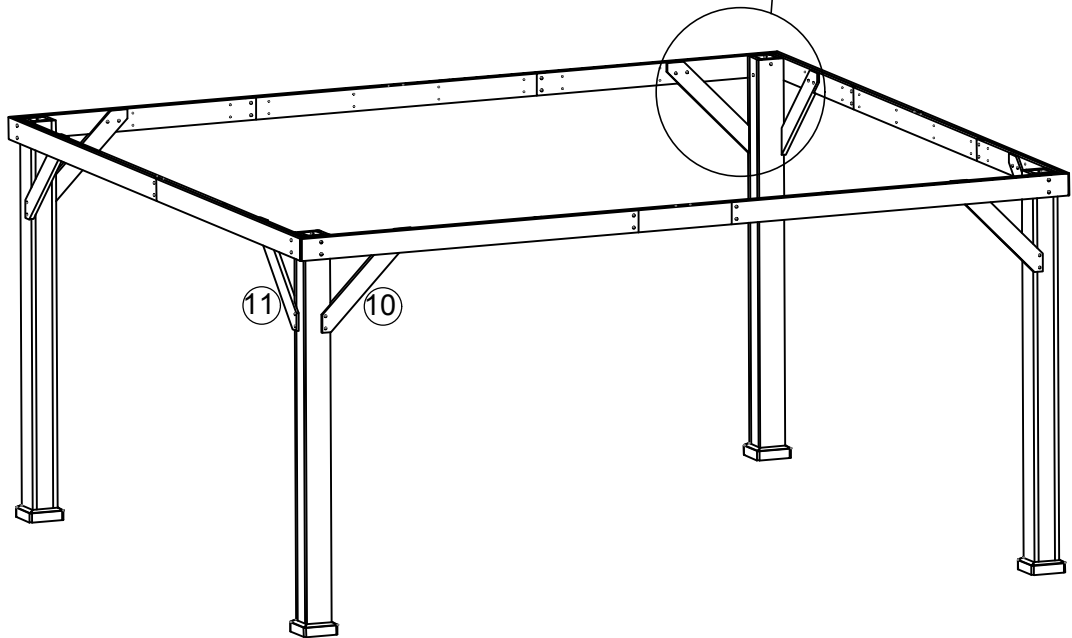
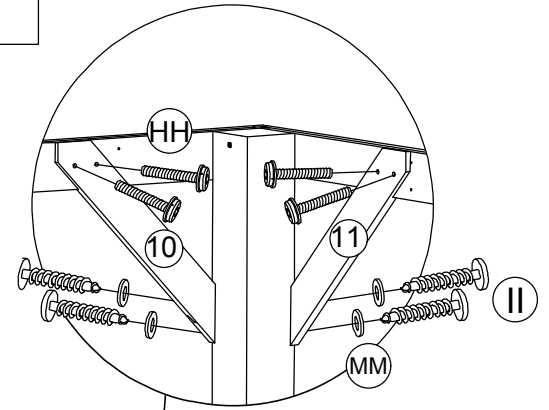
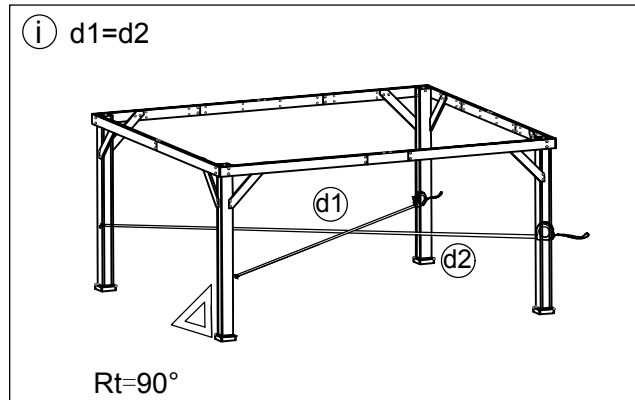
<7>

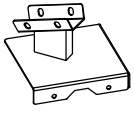


⑩ x4

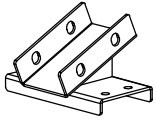


⑪ x4



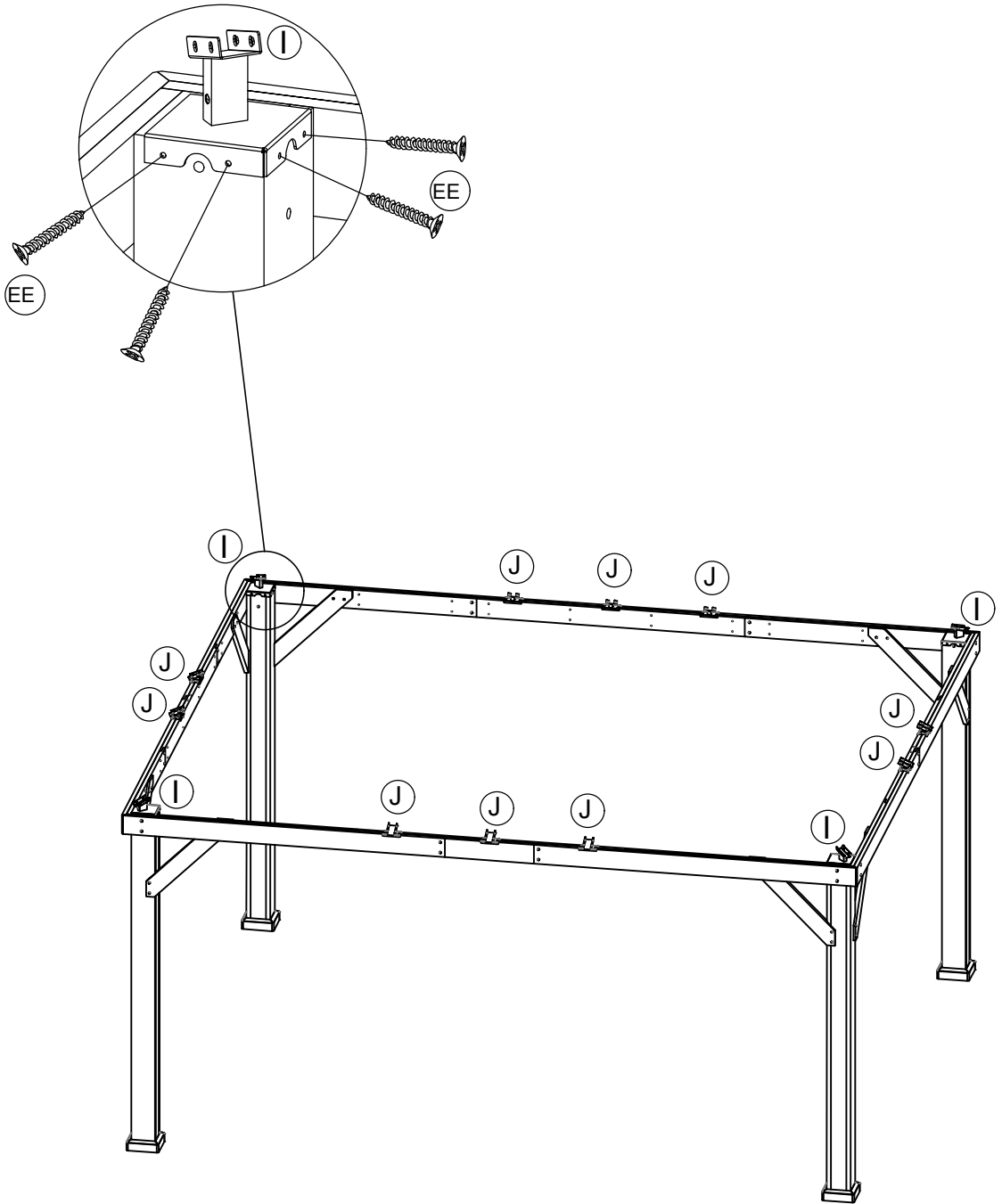


I x4



J x10

<8>



Attention: Just put the part #J on the beam, but don't lock them off with screws.



M5x30

EE x16

<9>



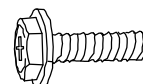
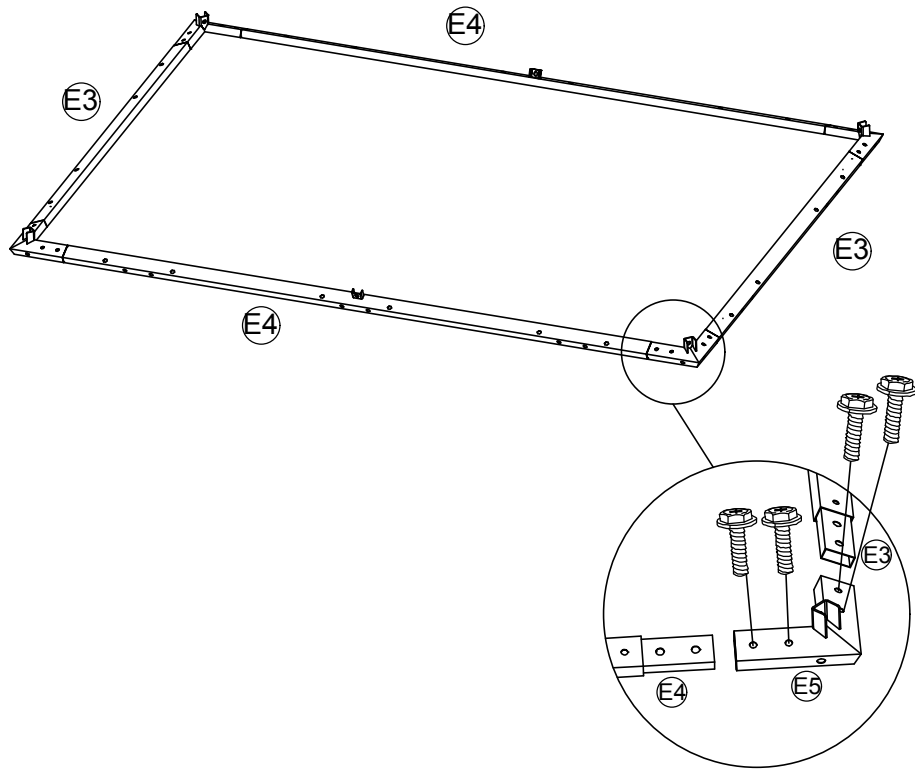
E4 x2



E3 x2



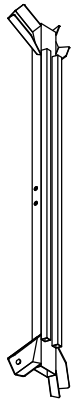
E5 x4



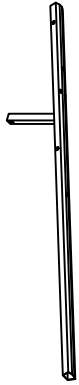
M6x20

FF x16

<10>



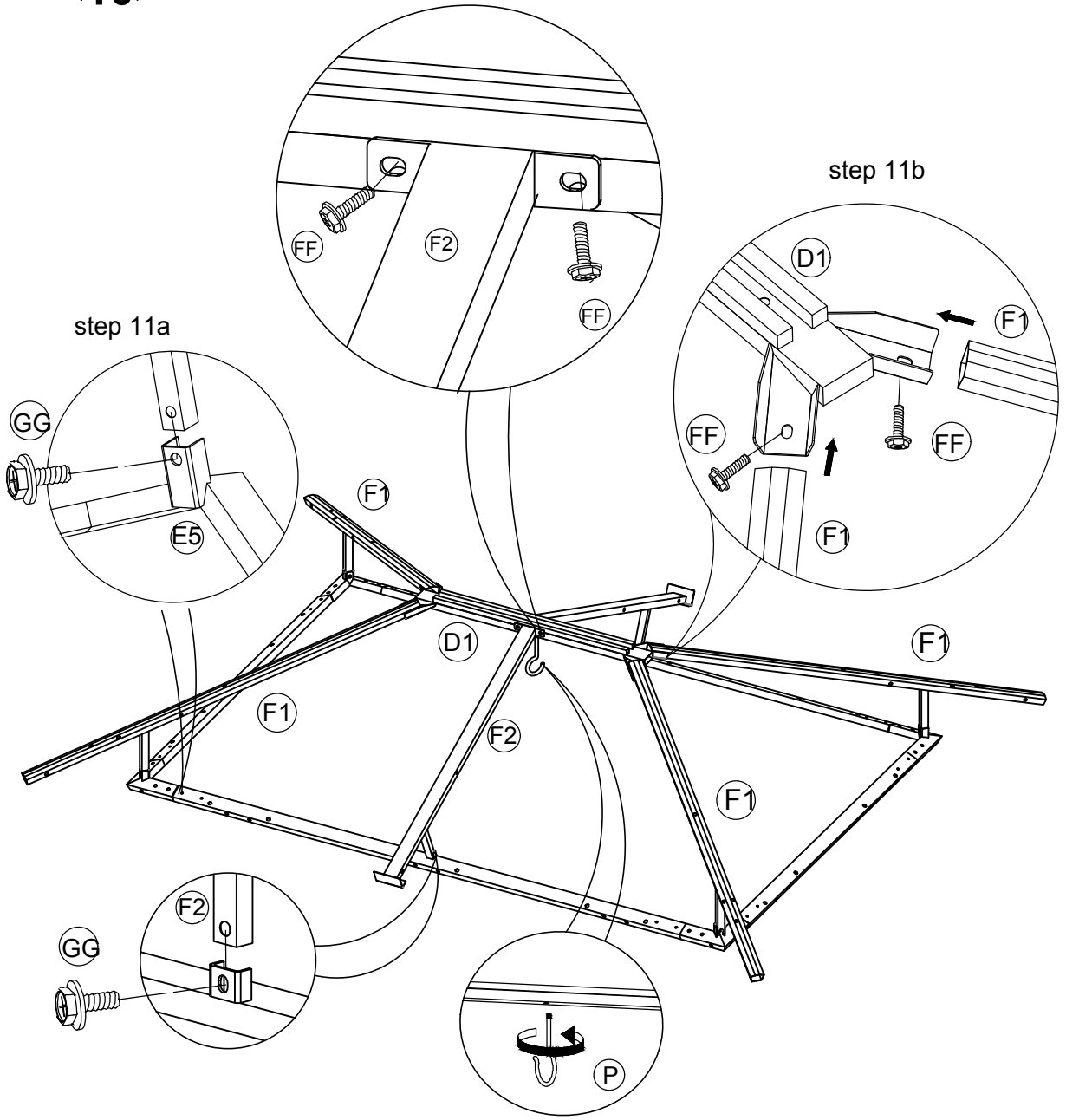
(D1) x1



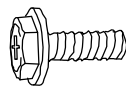
(F1) x4



(F2) x2

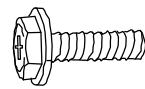


(P) x1



M6x15

(GG) x6



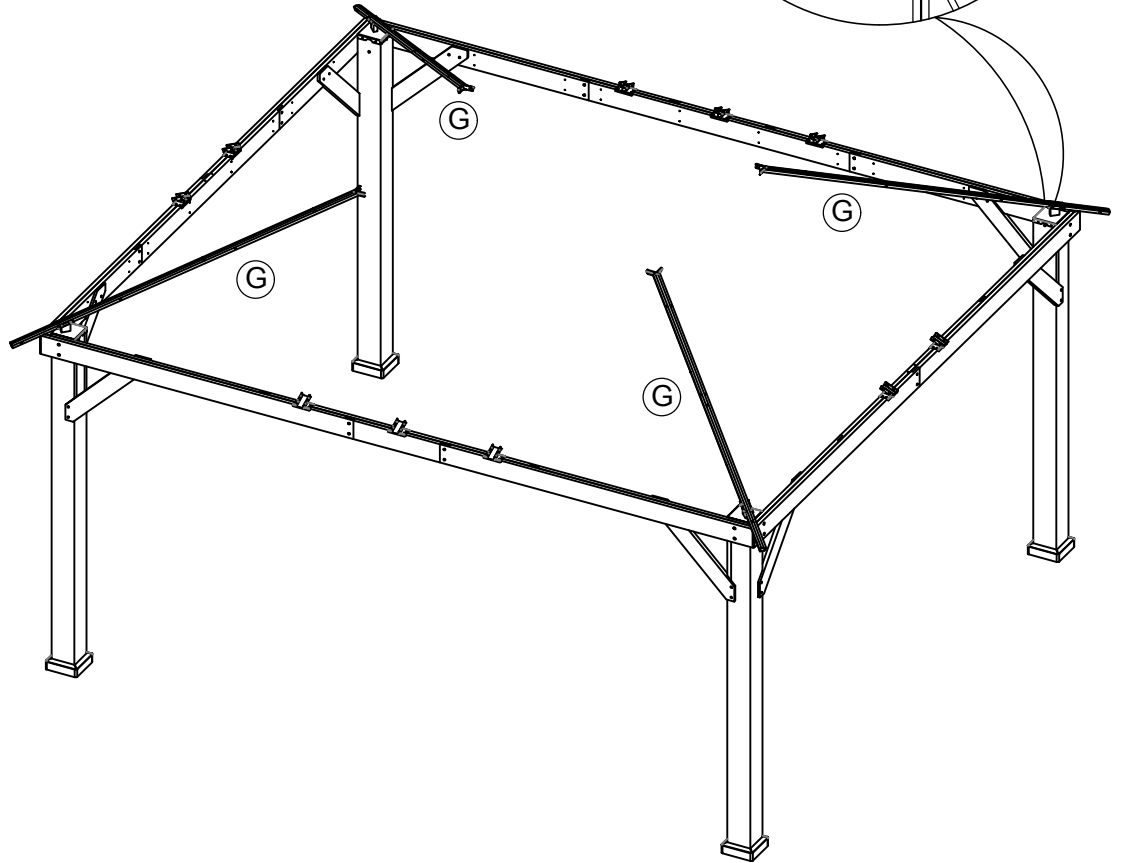
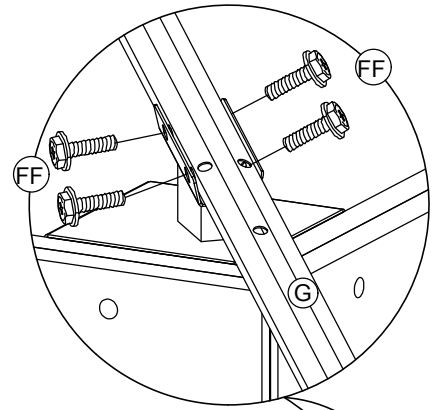
M6x20

(FF) x8

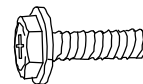
<11>



G x4



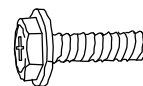
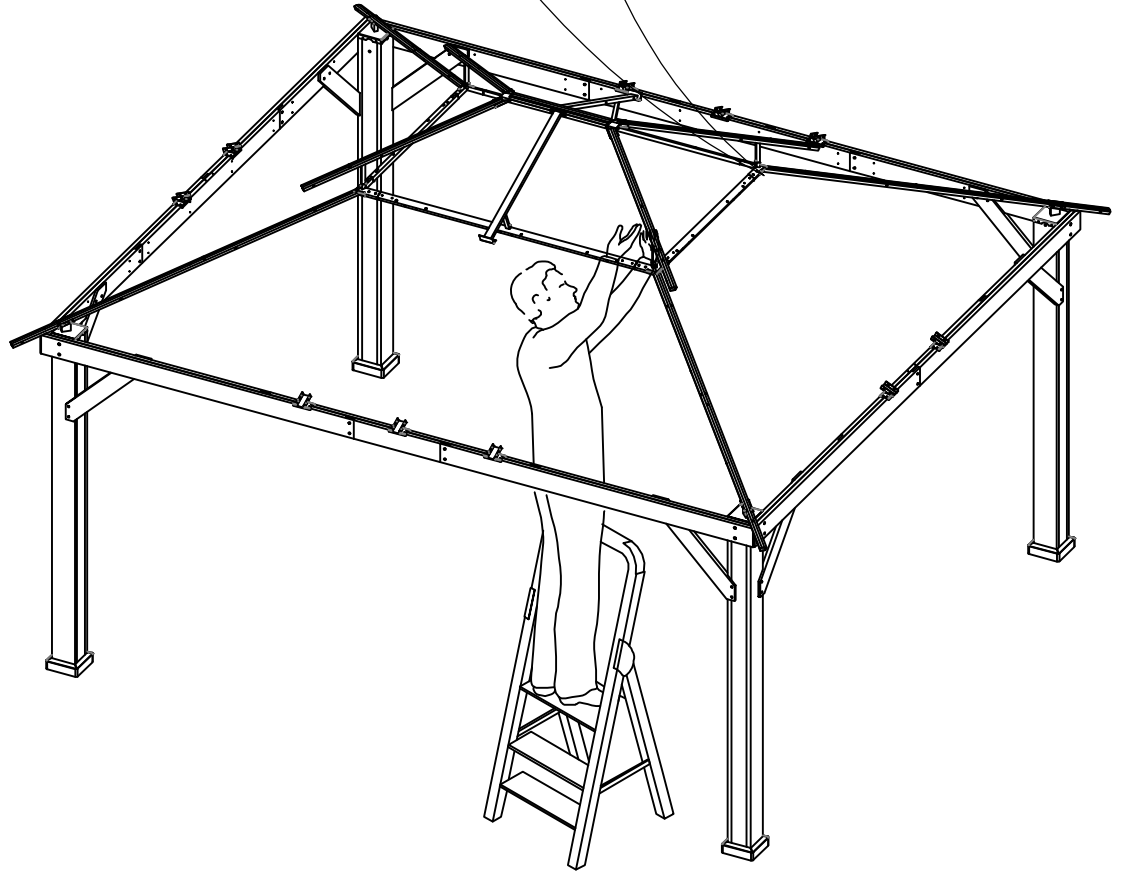
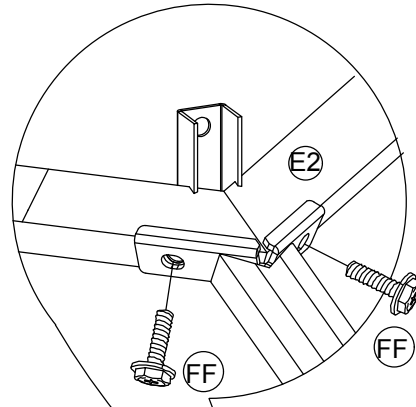
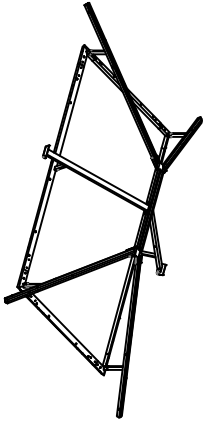
Attention:
Please double check that all #I have been secured properly. Or there will be a risk of falling.



M6x20

FF x16

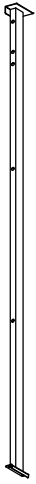
<12>



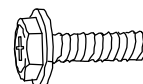
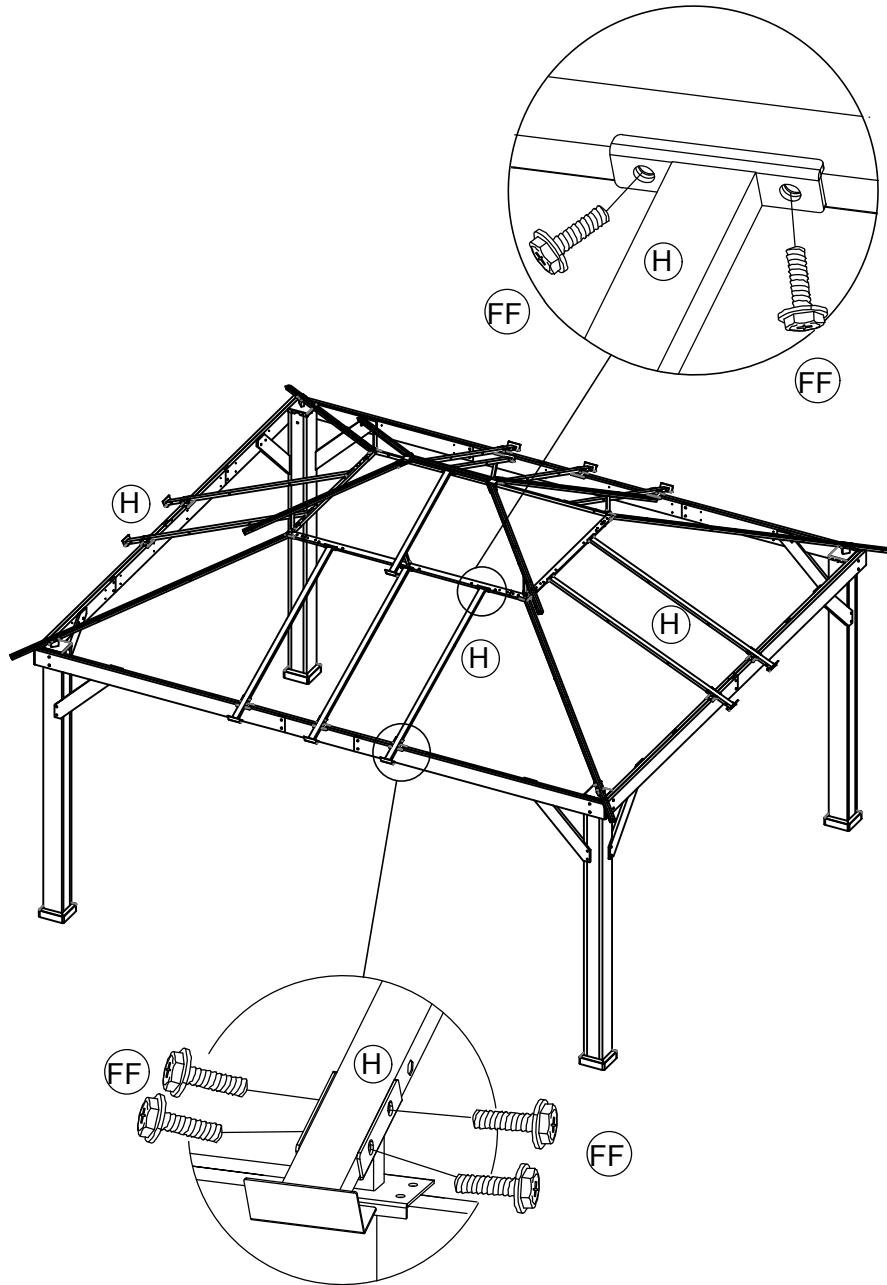
M6x20

ⓕFF x8

<13>



(H) x10



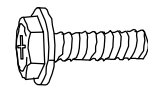
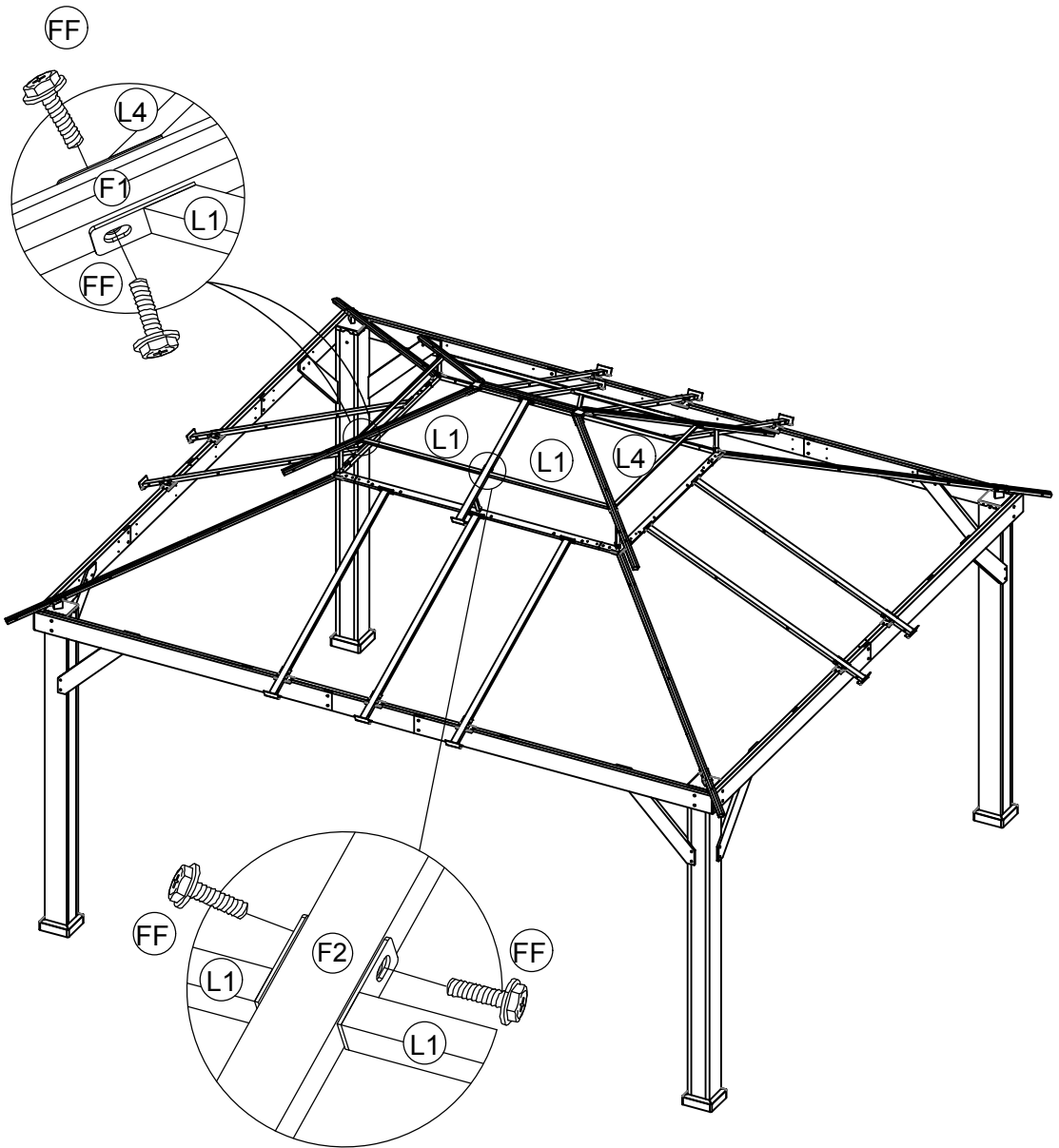
M6x20

(FF) x60

<14>

L1 x4

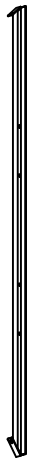
L4 x2



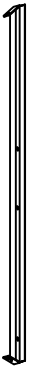
M6x20

FF x12

<15>



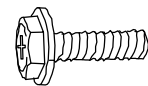
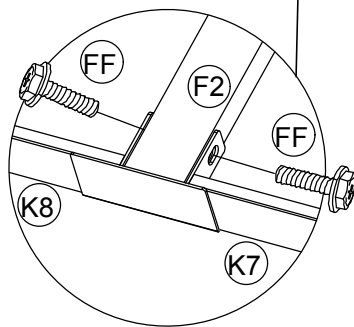
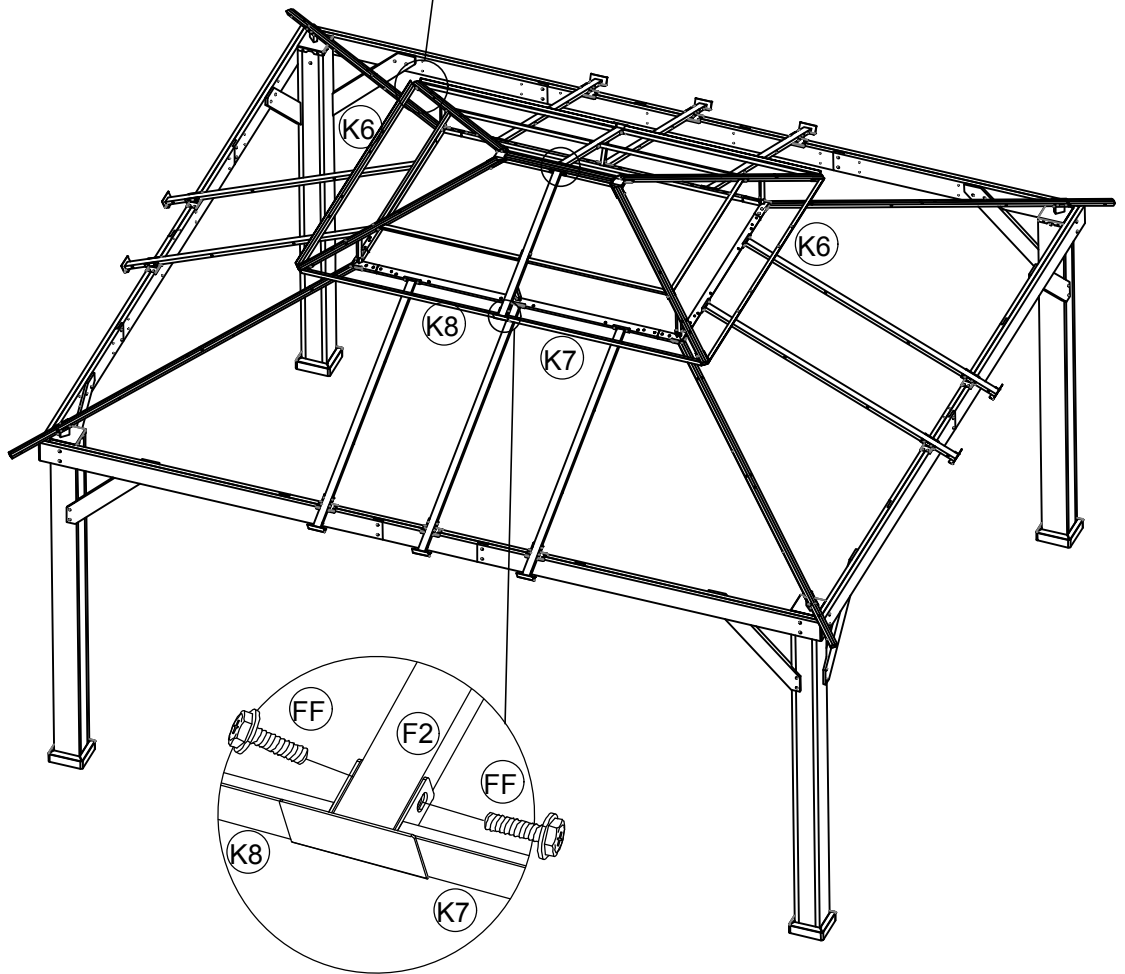
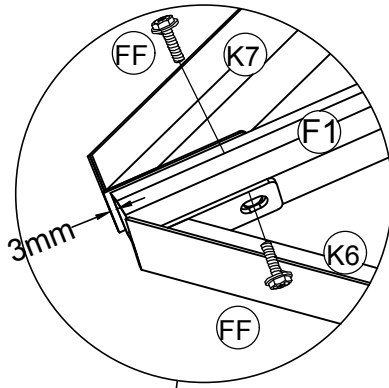
(K6) x2



(K7) x2



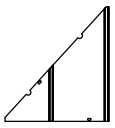
(K8) x2



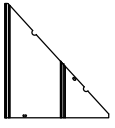
M6x20

(FF) x12

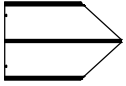
<16>



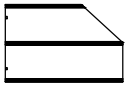
P1 x4



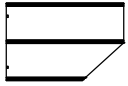
P2 x4



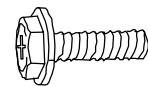
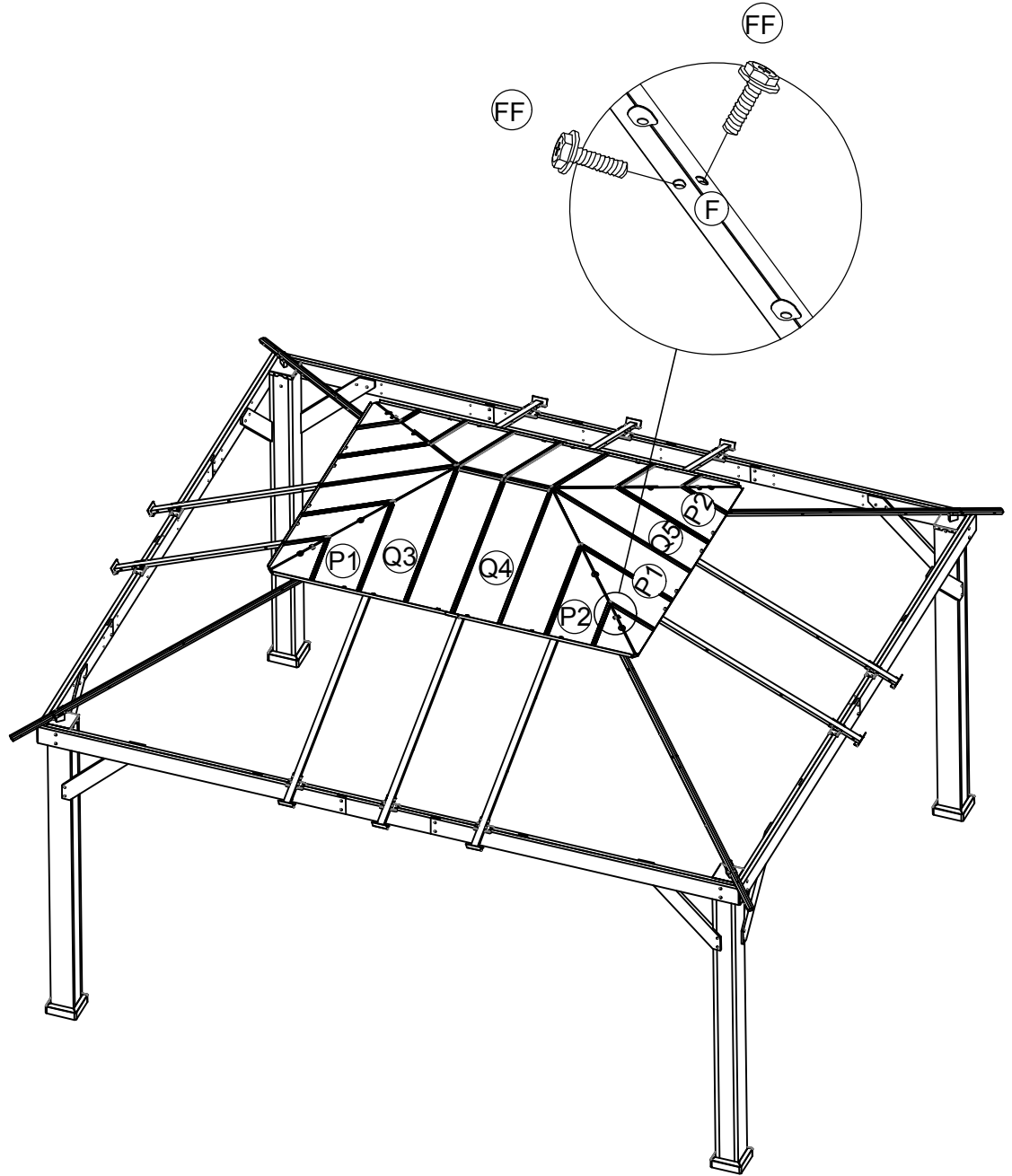
Q5 x2



Q3 x2



Q4 x2



M6x20

FF x8

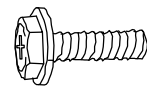
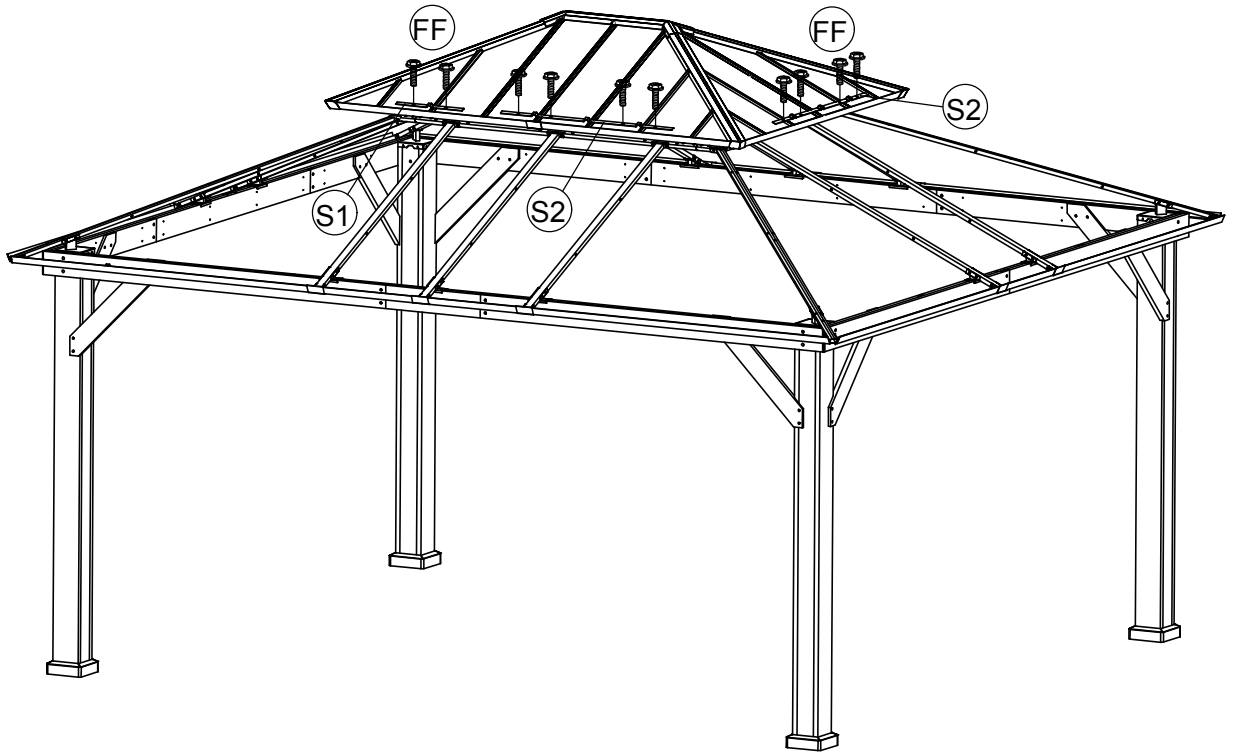
<17>



(S1) x2



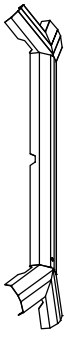
(S2) x4



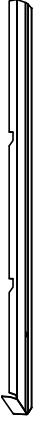
M6x20

(FF) x 20

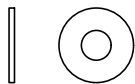
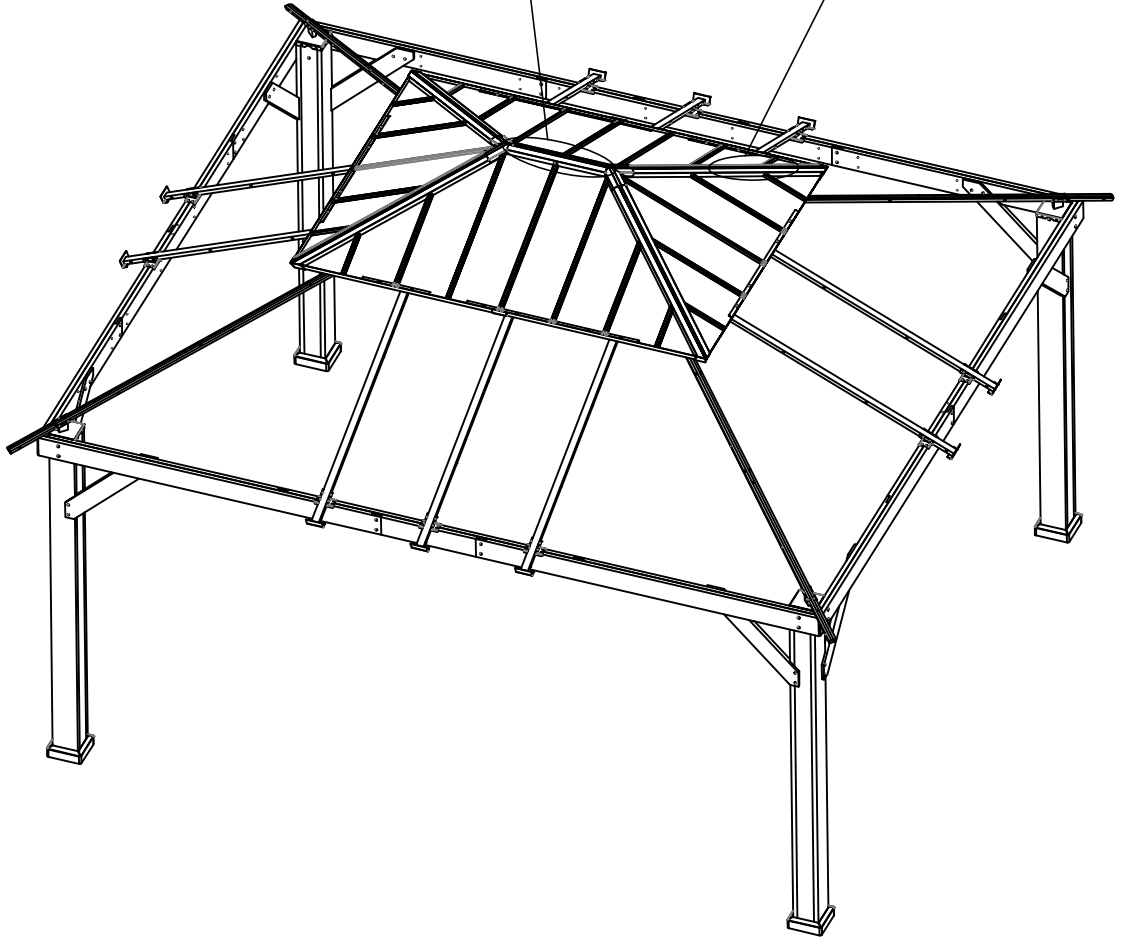
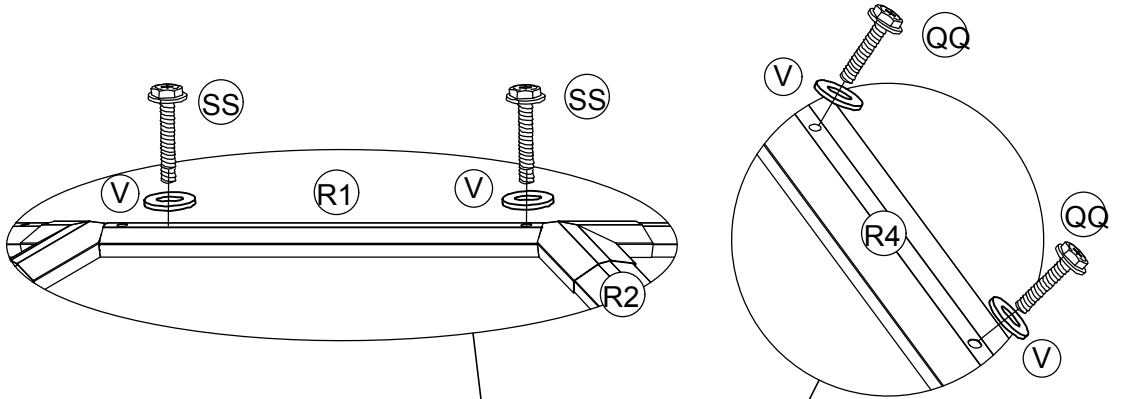
<18>



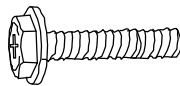
R1 x1



R4 x4

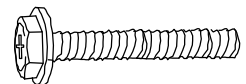


V x10



M6 x 40

QQ x8

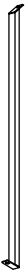


M6x60

SS x2

<19>

(L1) x8



(L2) x8



(L3) x12



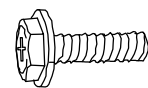
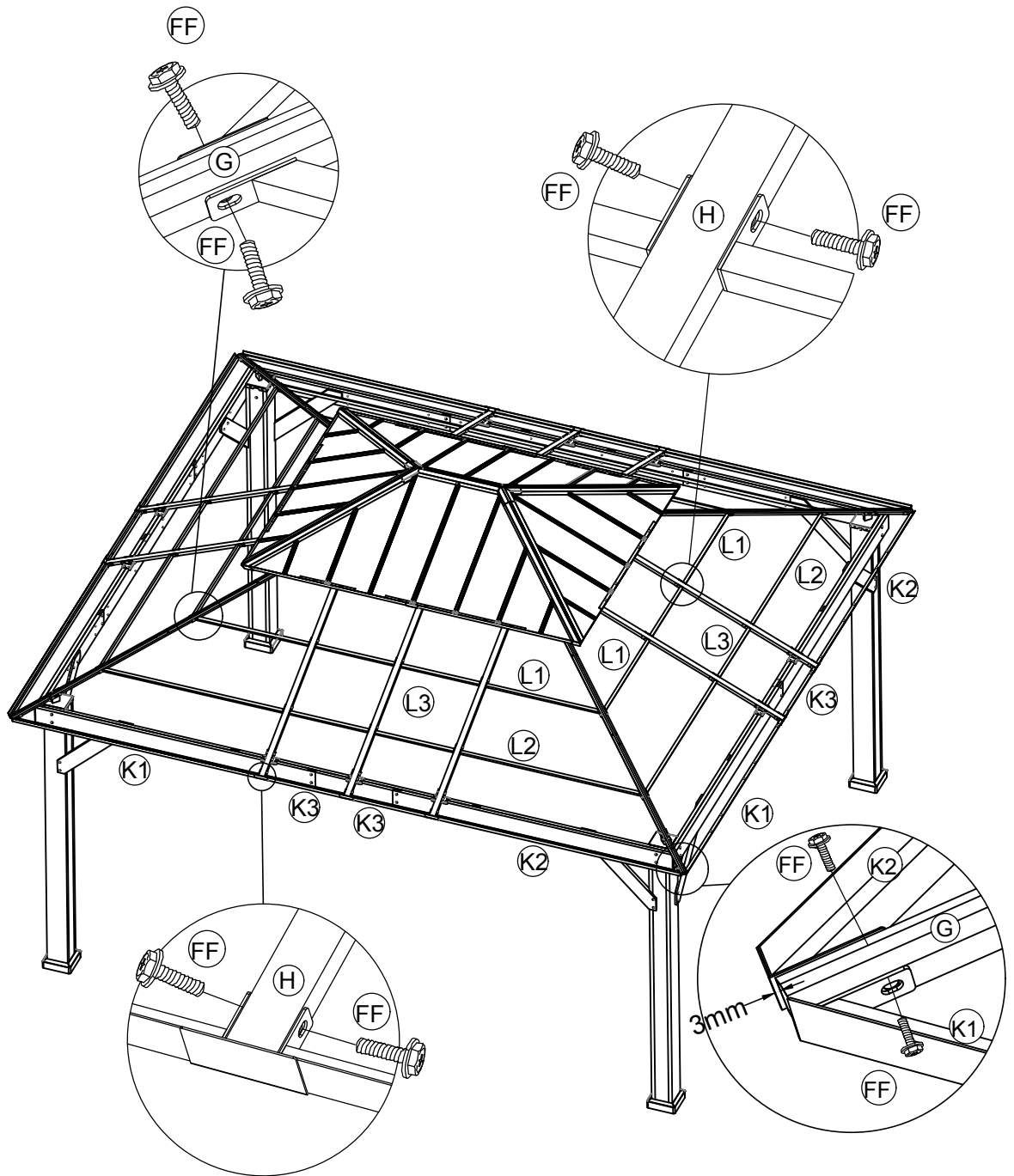
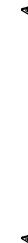
(K1) x4



(K2) x4



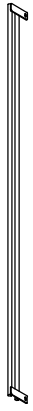
(K3) x6



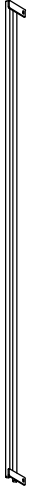
M6 x20

(FF) x 84

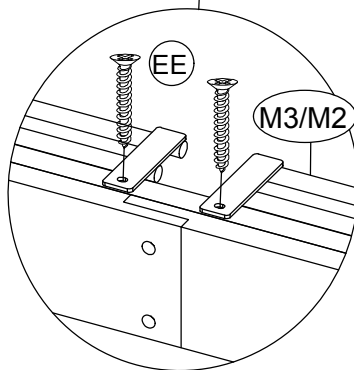
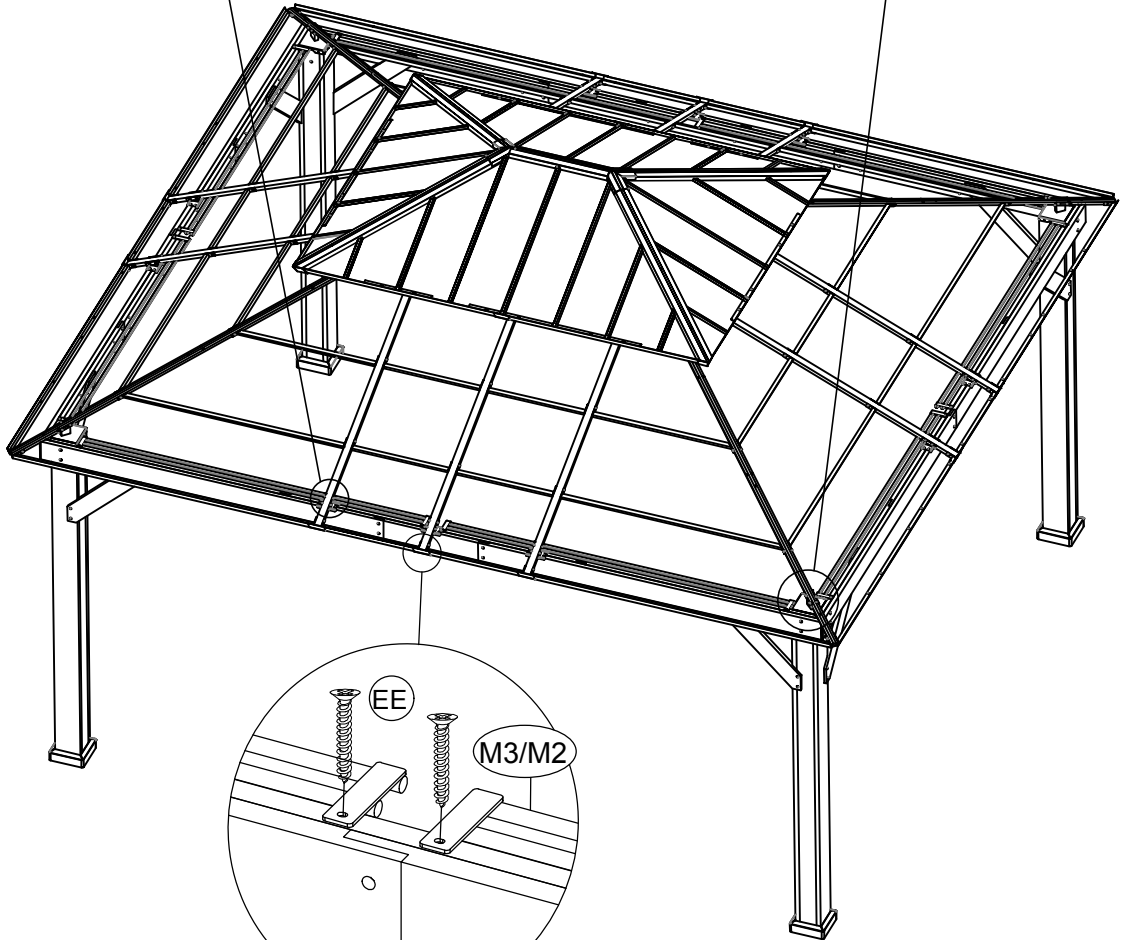
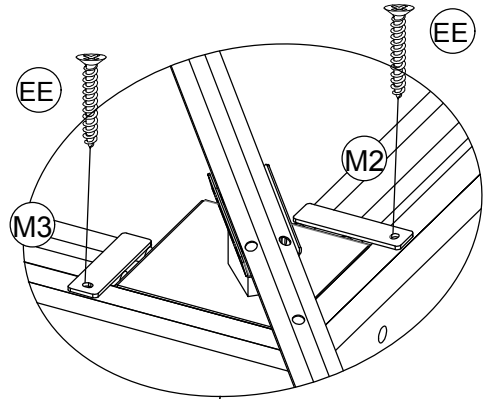
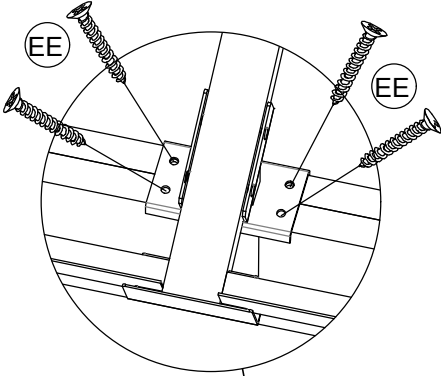
<20>



M2 x4



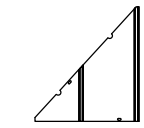
M3 x4



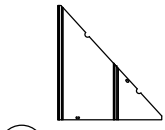
M5x30

EE x56

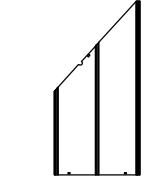
<21>



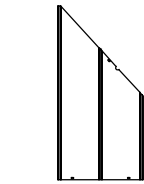
P1 x4



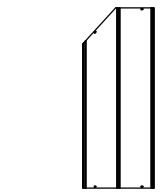
P2 x4



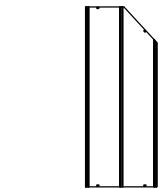
P3 x4



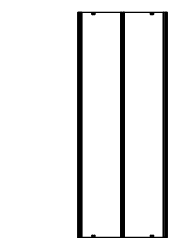
P4 x4



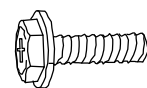
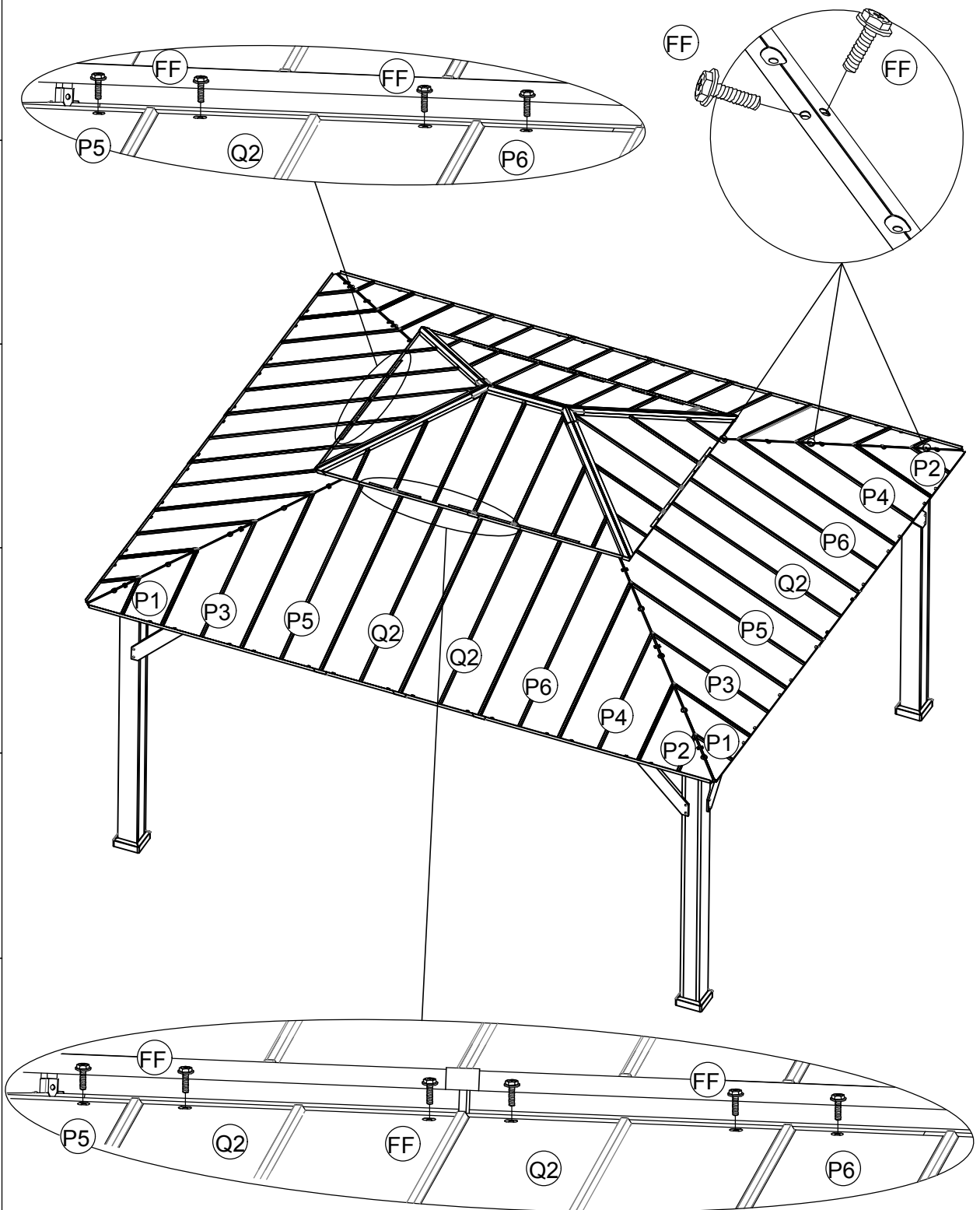
P5 x4



P6 x4



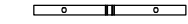
Q2 x6



M6 x20

FF x44

<22>



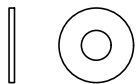
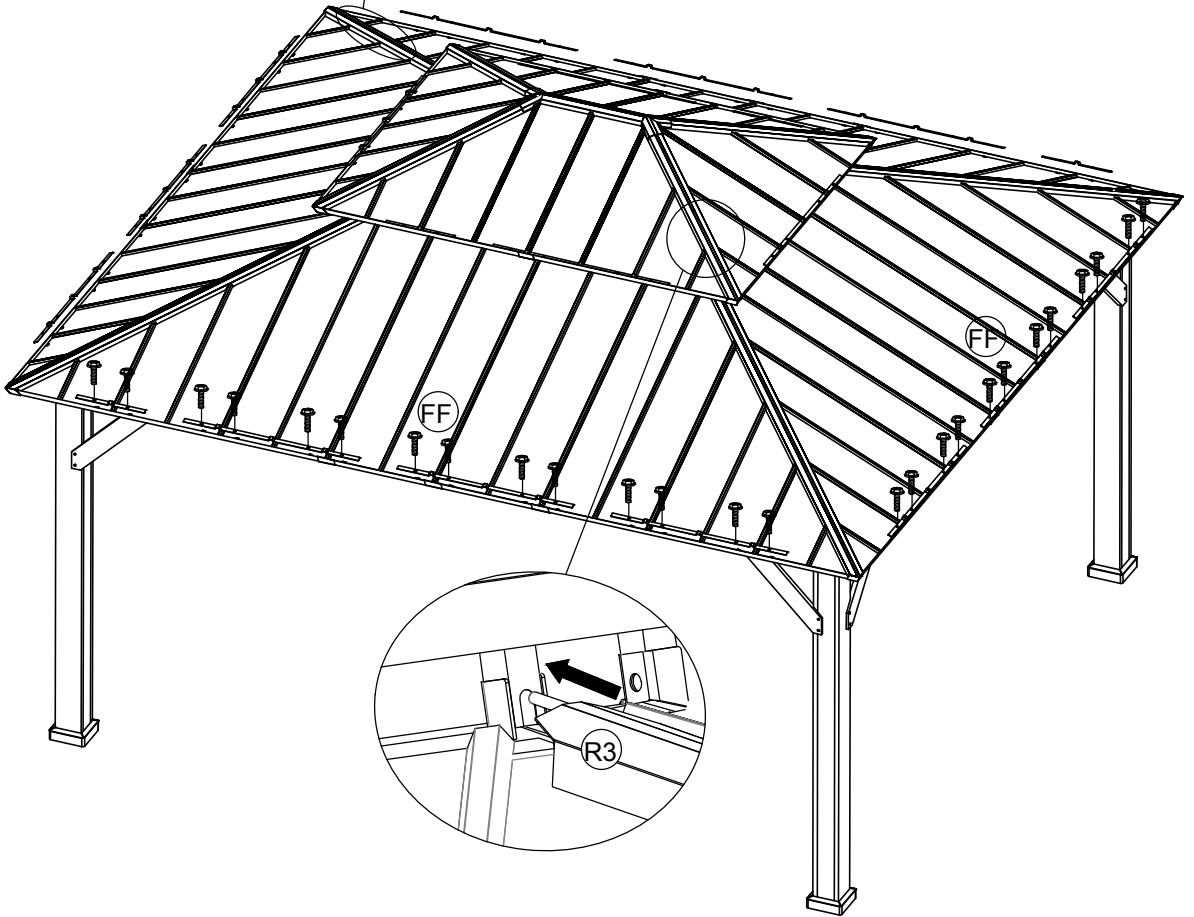
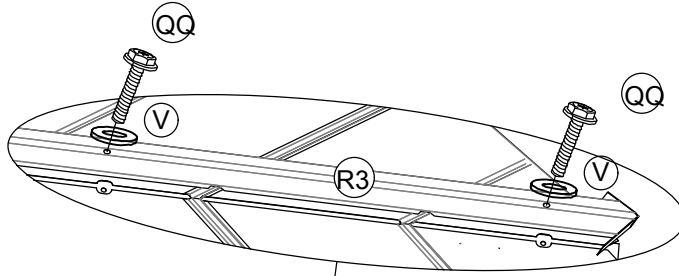
S1 x2



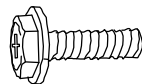
S2 x12



R3 x4

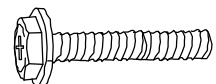


V x8



M6 x20

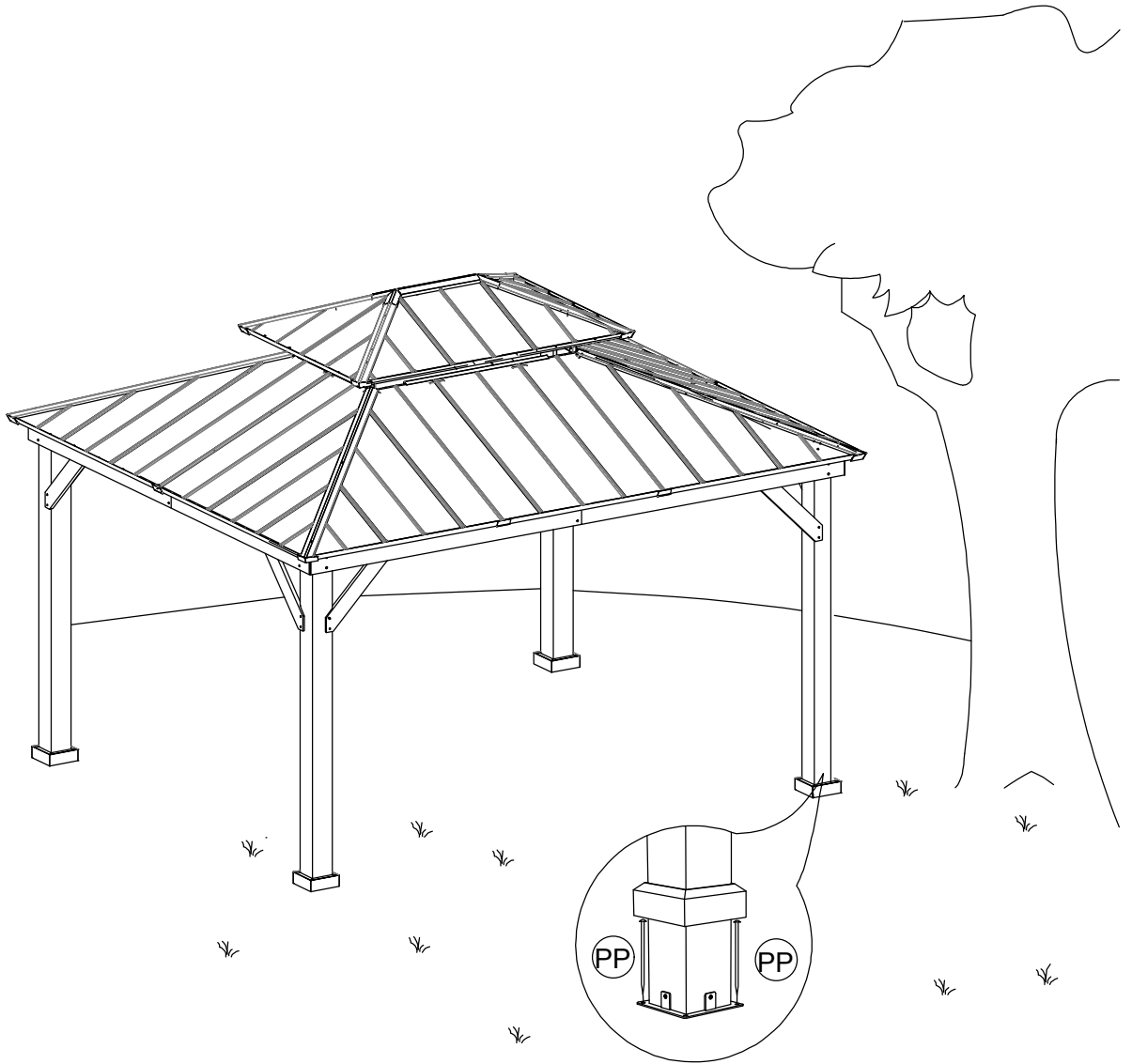
FF x52



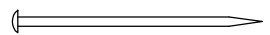
M6 x40

QQ x8

<23>



Tips: if you want to fix the gazebo on the concrete or wood floor, please purchase the suitable anchor from your local store.



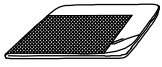
Ø8x180

PP x8

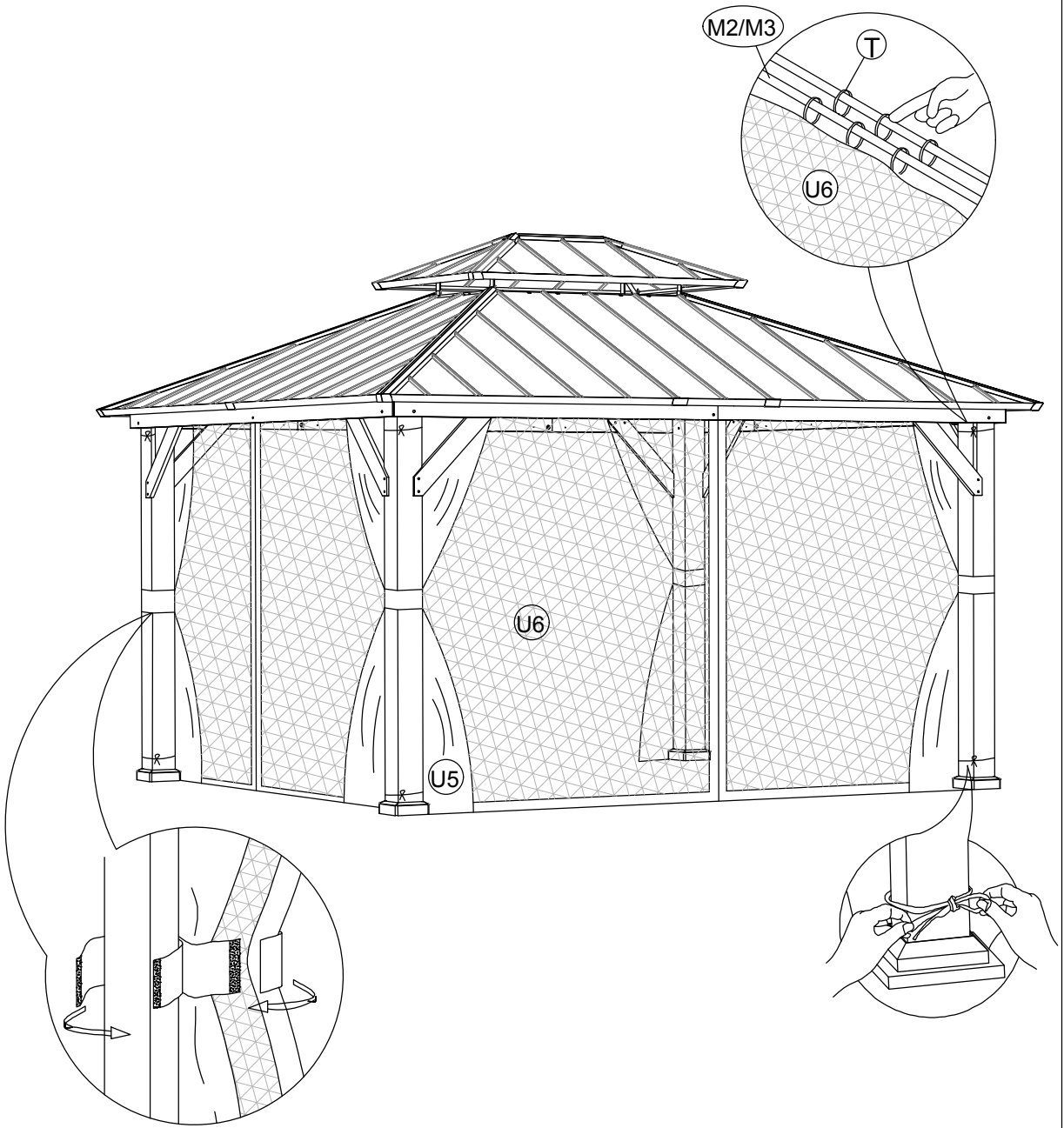
<24>



U5 x1



U6 x1



T x104