









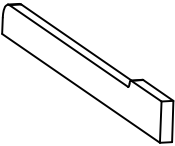
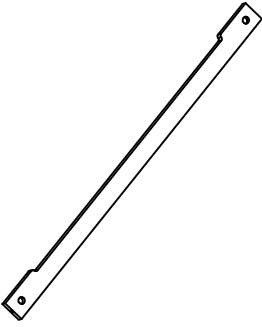
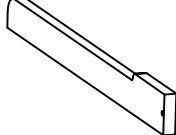

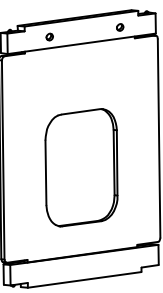
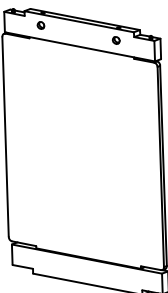
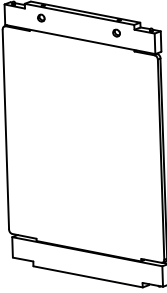
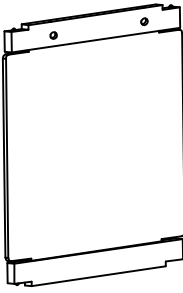

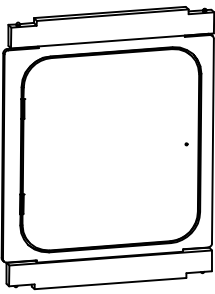
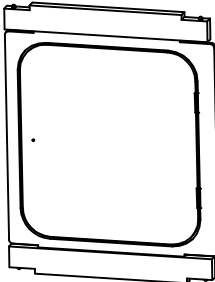
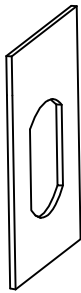


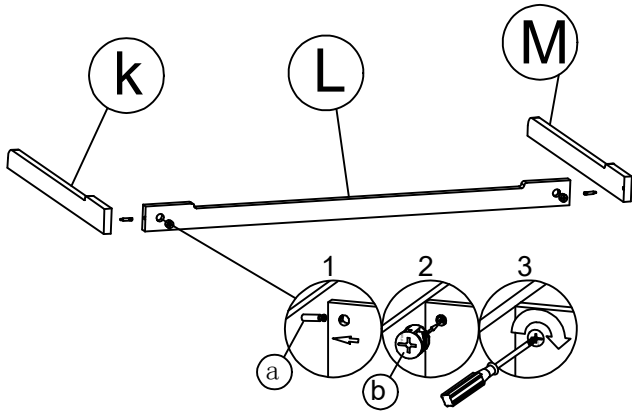
# SKU: XWCL-099

- ATTENTION: 1. Please check the manual carefully and make sure you have received all the parts.
2. If there is any missing, please let us know the letter of the parts you need.
3. If there is any damage, please send clear photos to us, we will check and offer you best solution soon.

(a)		34.6mm	14x	(b)		ø15*10mm	14x	(c)		ø6*30mm	6x	(d)		M4*35mm	7x
(e)		ø24mm	2x	(f)		M3.5*20mm	2x	(g)		447mm	4x	(h)		447mm	2x
(i)		81*81mm	8x	(j)		105*49mm	4x								
(k)	1x	(L)	1x	(M)	1x	(N)	2x								
															
(O)	1x	(P)	1x	(Q)	1x	(R)	1x								
															
(S)	1x	(T)	1x	(U)	1x	(V)	1x								
															

(a)		34.6mm	14x	(b)		ø15*10mm	14x	(c)		ø6*30mm	6x	(d)		M4*35mm	7x
(e)		ø24mm	2x	(f)		M3.5*20mm	2x	(g)		447mm	4x	(h)		447mm	2x
(i)		81*81mm	8x	(j)		105*49mm	4x								

Step1

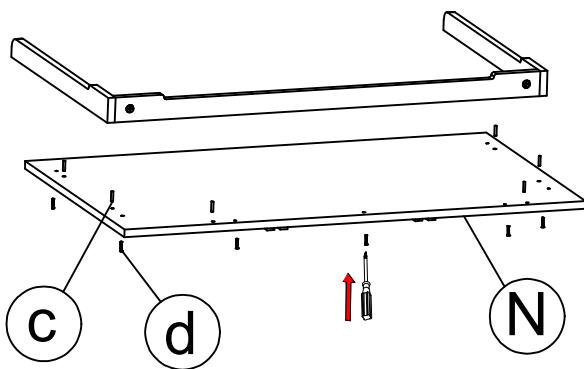


(a)		34.6mm	2x
(b)		ø15*10mm	2x

Step2

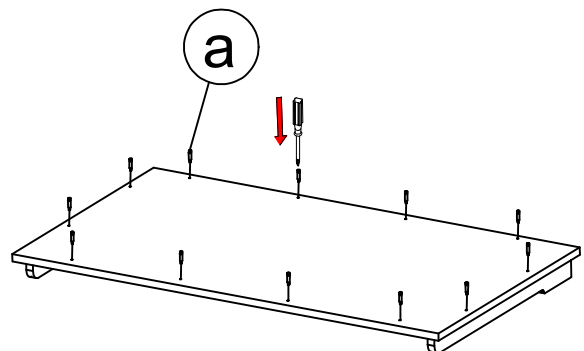


Step3

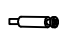




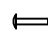






(c)		ø6*30mm	6x
(d)		M4*35mm	7x

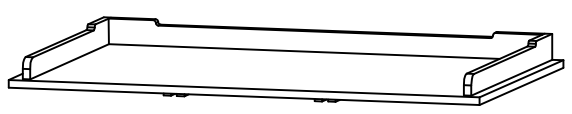
Step4



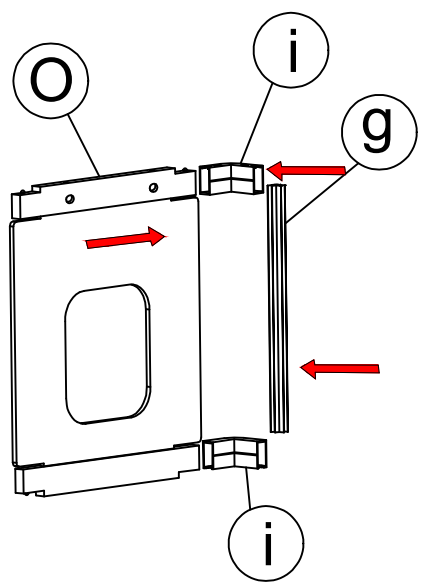
(a)		34.6mm	12x
-----	--	--------	-----



(a)		34.6mm	14x	(b)		ø15*10mm	14x	(c)		ø6*30mm	6x	(d)		M4*35mm	7x
(e)		ø24mm	2x	(f)		M3.5*20mm	2x	(g)		447mm	4x	(h)		447mm	2x
(i)		81*81mm	8x	(j)		105*49mm	4x								

Step5

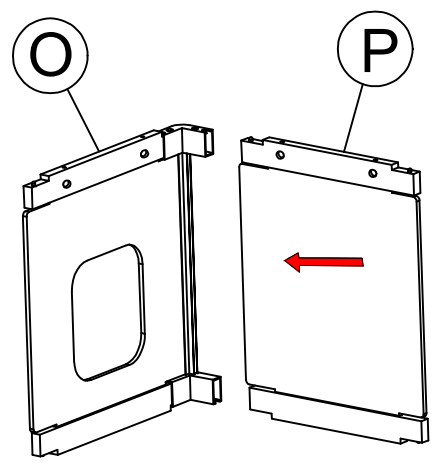


Step6

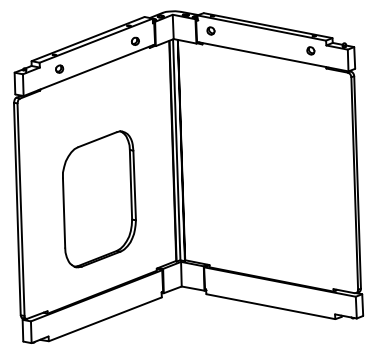


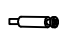




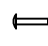




(i)		81*81mm	2x
(g)		447mm	1x

Step7

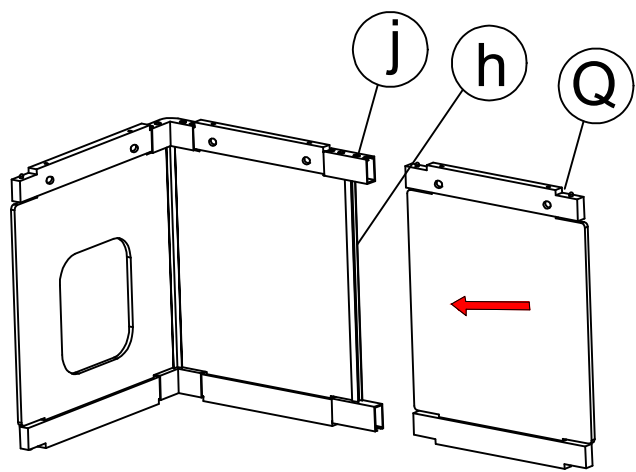


Step8

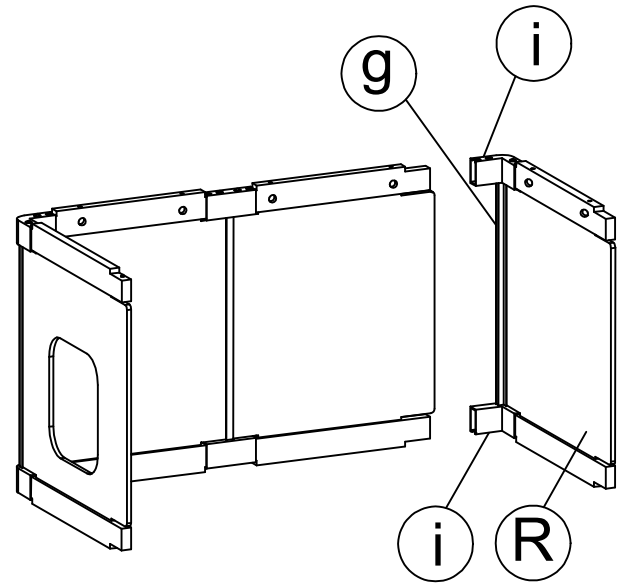






(a)		34.6mm	14x	(b)		ø15*10mm	14x	(c)		ø6*30mm	6x	(d)		M4*35mm	7x
(e)		ø24mm	2x	(f)		M3.5*20mm	2x	(g)		447mm	4x	(h)		447mm	2x
(i)		81*81mm	8x	(j)		105*49mm	4x								

Step9

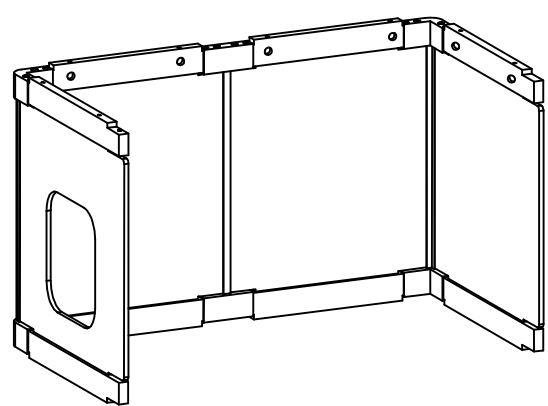


Step10

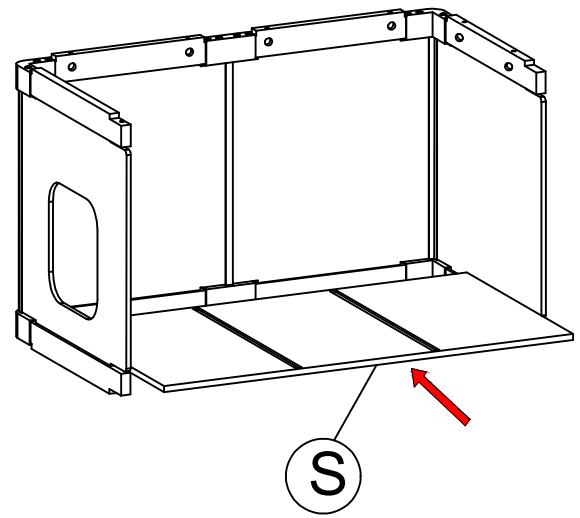







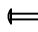




(j)		105*49mm	2x	(i)		81*81mm	2x
(h)		447mm	1x	(g)		447mm	1x

Step11

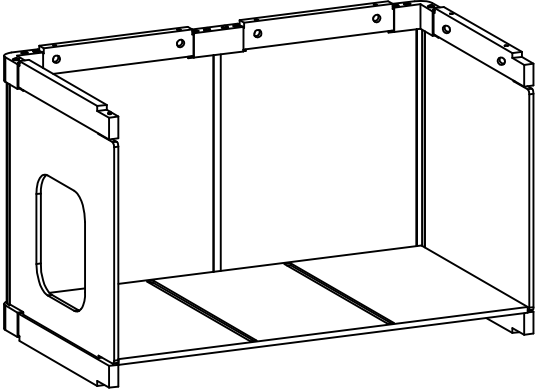


Step12

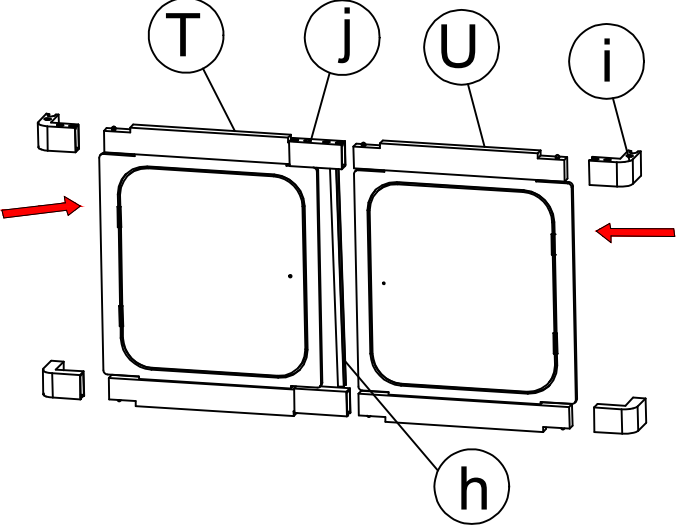





(a)		34.6mm	14x	(b)		ø15*10mm	14x	(c)		ø6*30mm	6x	(d)		M4*35mm	7x
(e)		ø24mm	2x	(f)		M3.5*20mm	2x	(g)		447mm	4x	(h)		447mm	2x
(i)		81*81mm	8x	(j)		105*49mm	4x								

**Step13**

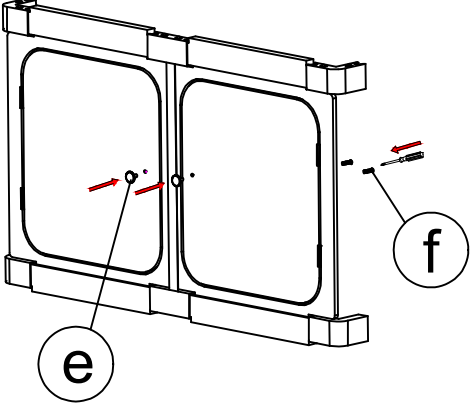




**Step14**



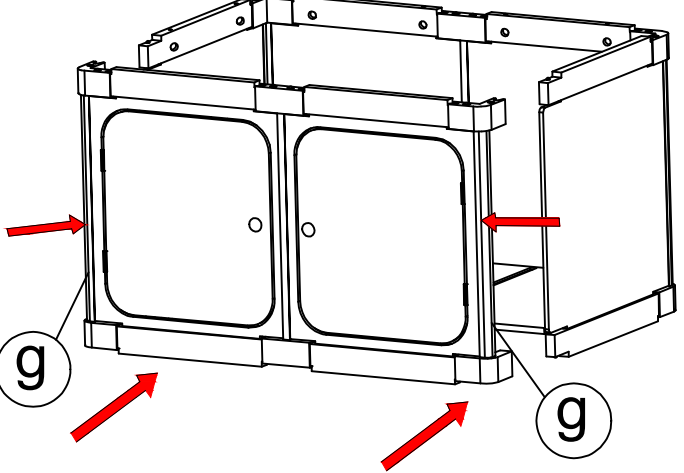
(j)		105*49mm	2x
(h)		447mm	1x
(i)		81*81mm	4x


**Step15**






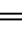






(e)		ø24mm	2x
(f)		M3.5*20mm	2x

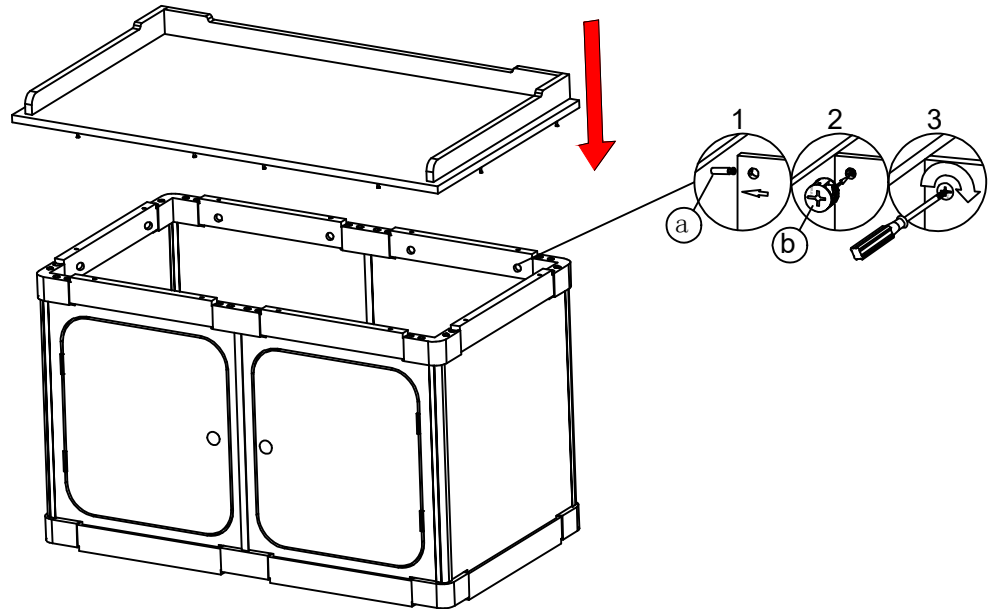
**Step16**




(g)		447mm	2x
-----	---	-------	----

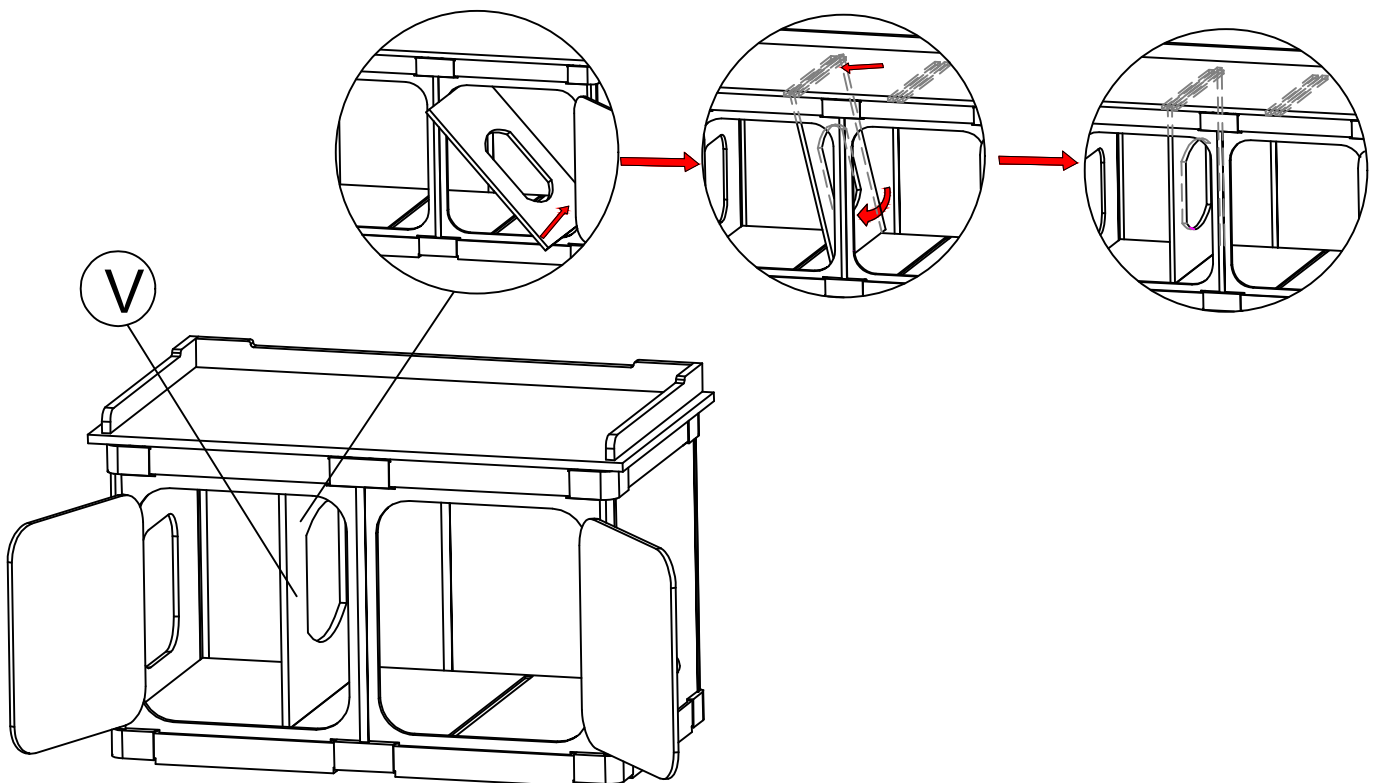
(a)		34.6mm	14x	(b)		ø15*10mm	14x	(c)		ø6*30mm	6x	(d)		M4*35mm	7x
(e)		ø24mm	2x	(f)		M3.5*20mm	2x	(g)		447mm	4x	(h)		447mm	2x
(i)		81*81mm	8x	(j)		105*49mm	4x								






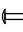




Step17



(b)		ø15*10mm	12x
-----	---	----------	-----

Step18



(a)		34.6mm	14x	(b)		ø15*10mm	14x	(c)		ø6*30mm	6x	(d)		M4*35mm	7x
(e)		ø24mm	2x	(f)		M3.5*20mm	2x	(g)		447mm	4x	(h)		447mm	2x
(i)		81*81mm	8x	(j)		105*49mm	4x								

Step19

