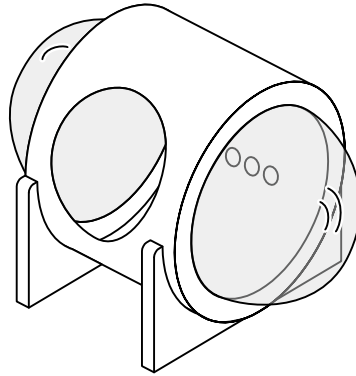


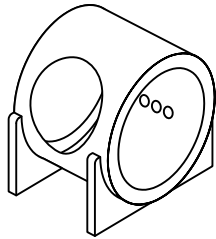
SKU:XRCH-016 Capsule cat house

ATTENTION:

1. Please check the manual carefully and make sure you have received all the parts.
2. If there is any missing, please let us know the letter of the parts you need.
3. If there is any damage, please send clear photos to us, we will check and offer you best solution soon.



Parts List



1PCS



2PCS



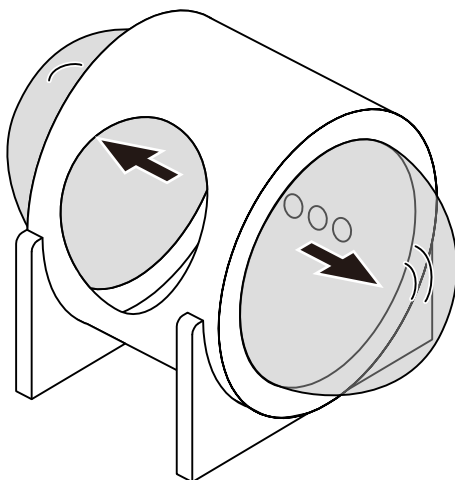
M4*16mm

6PCS

Capsule cat house Assembly

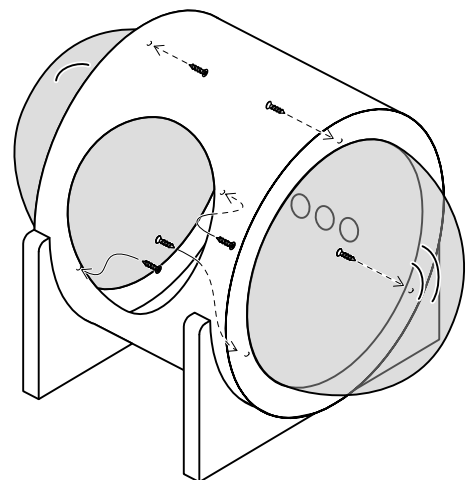
STEP1

1. Fit the plastic cover to the inside of the cat house along the direction of the arrow shown in the figure.
2. Align the reserved holes of the plastic cover with the reserved holes of the cat house one by one.



STEP2

1. Screw the 6 screws into the reserved holes in the direction of the arrow as shown in the figure.



Attention

We care about every customer's using experience, please feel free to contact to us if has anything missing or damage or any advice, efficient solution would be offered soon.