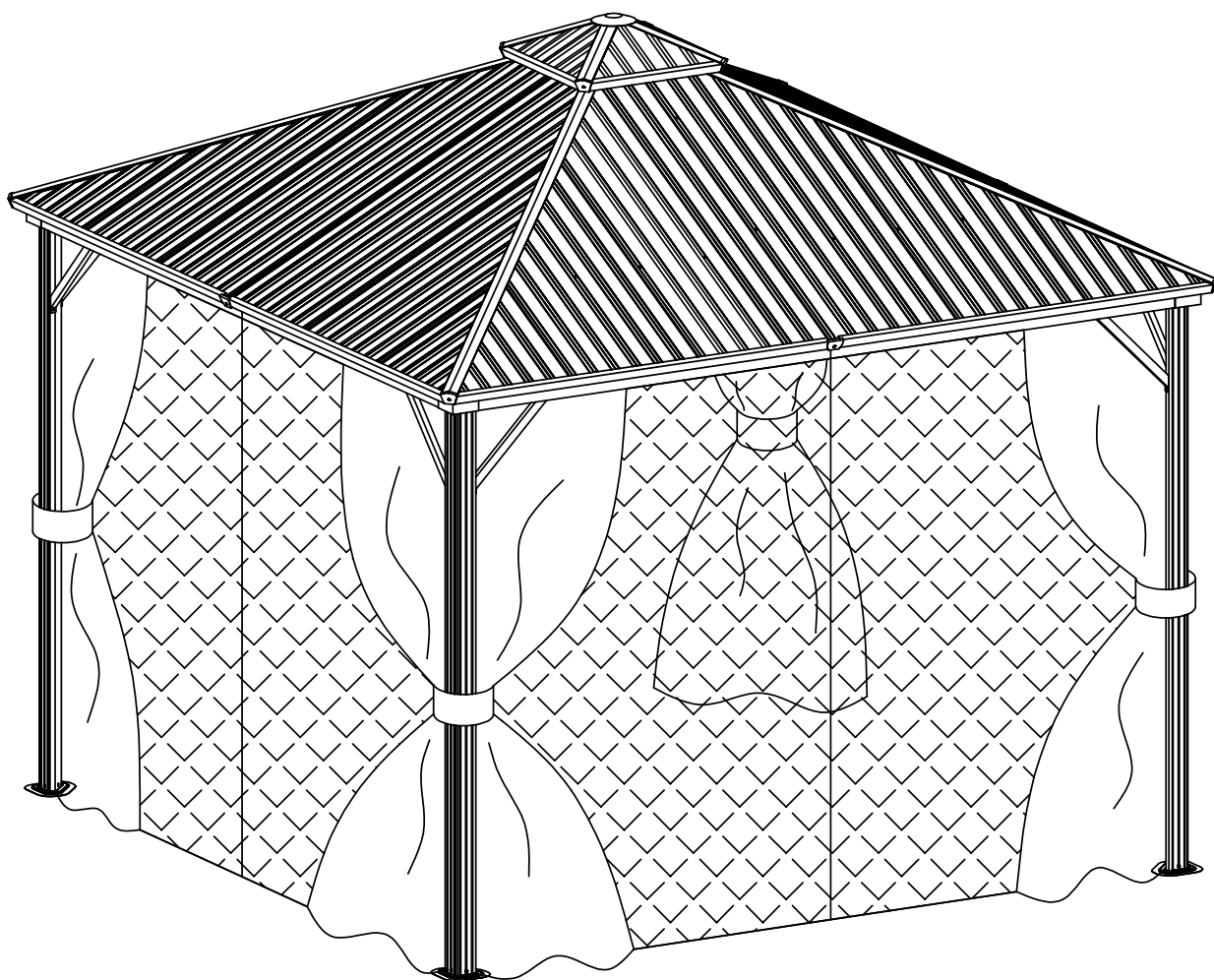


INSTRUCTION MANUAL

SKU: WQG051BK

10FT x 10FT GAZEBO



Note: The gazebo needs to be installed in cooperation with four people. The following tools are not included and needed for assembly:



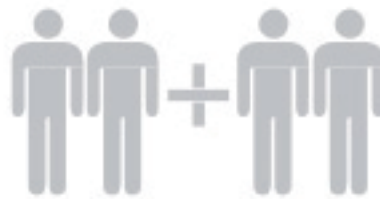
Pistol Drill



Tape Measure



2 m Adjustable Ladder



4 people


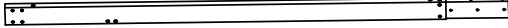
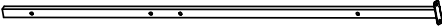
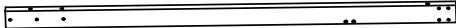
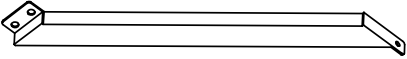
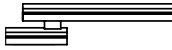
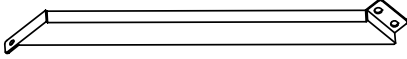

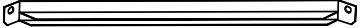


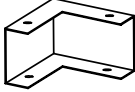


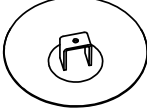
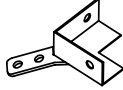
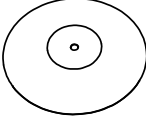
Warning

1. Four person assembly is required for this gazebo.
2. Please take appropriate actions as heavy rain, wind and snow can damage the gazebo. If necessary please disassemble and store for later use.
3. In snowy conditions, please do not allow the thickness of the snow to be more than 5 inches on the roof, this should be cleared as soon as possible for your safety. When the wind speed reaches 61.2km/h, please take measures to avoid the wind.

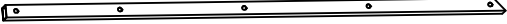
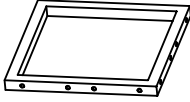
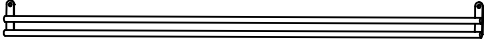
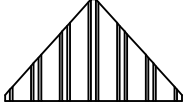
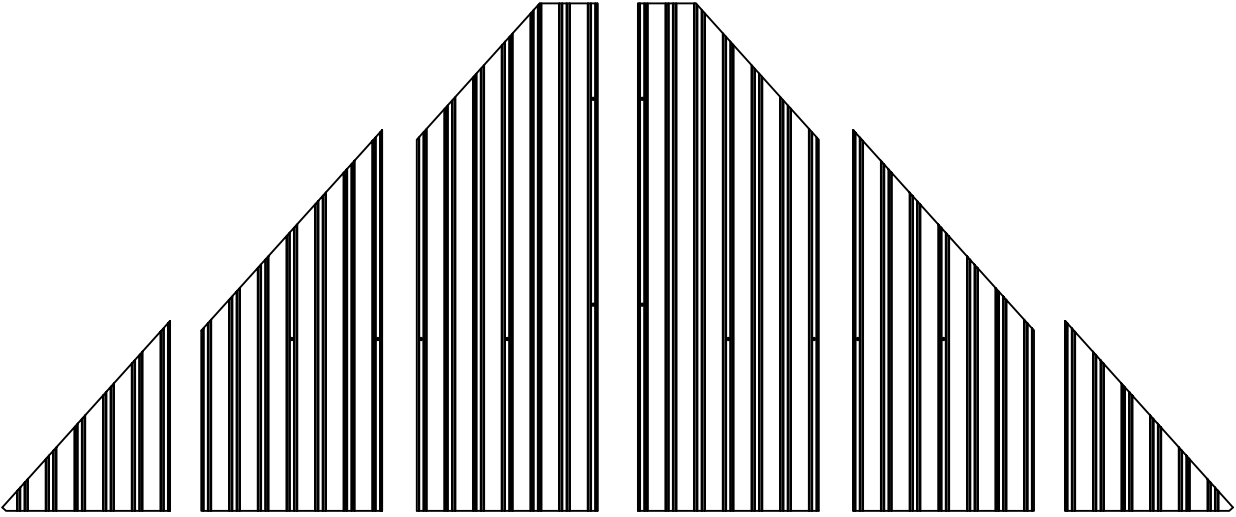
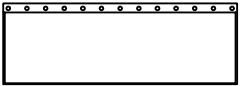
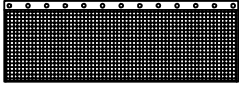
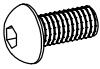
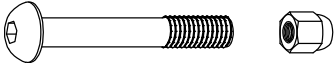
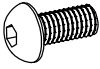
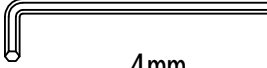

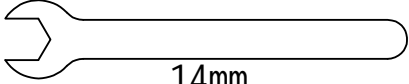
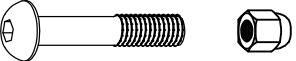
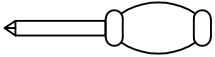
ATTENTION:


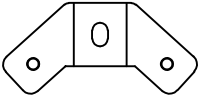

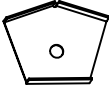
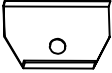
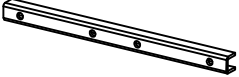

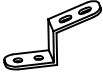
1. Please check the manual carefully and make sure you have received all the parts.
2. If there is any missing, please let us know the letter of the parts you need.
3. If there is any damage, please send clear photos to us, we will check and offer you the best solution soon.

PARTS LIST (BOX A)

	
A (X4)	B (X4)
	
F (X4)	C (X4)
	
J1 (X4)	E (X4)
	
J2 (X4)	E1 (X4)
	
L1 (X4)	N (X4)
	
L2 (X4)	H (X4)
	
L3 (X4)	K (X4)
	
T1 (X1)	V (X4)
	
T2 (X1)	

PARTS LIST (BOX B)

 <p>G (X8)</p>	 <p>M (X1)</p>
 <p>D (X8)</p>	 <p>X (X4)</p>
 <p>Y1 (X4) Y2 (X4) Y3 (X4) Y4 (X4) Y5 (X4) Y6 (X4)</p>	
 <p>Z1 (X4)</p>	 <p>Z2 (X4)</p>
 <p>M6*15</p> <p>1# (X208)</p>	 <p>M6*45</p> <p>5# (X24)</p>
 <p>M6*20</p> <p>2# (X1)</p>	 <p>4mm x1</p>
 <p>M5*12</p> <p>3# (X16)</p>	 <p>14mm x1</p>
 <p>M6*40</p> <p>4# (X8)</p>	 <p>x1</p>

Q (X4)

U1 (X4)

U2 (X4)

R1 (X8)

R2 (X4)

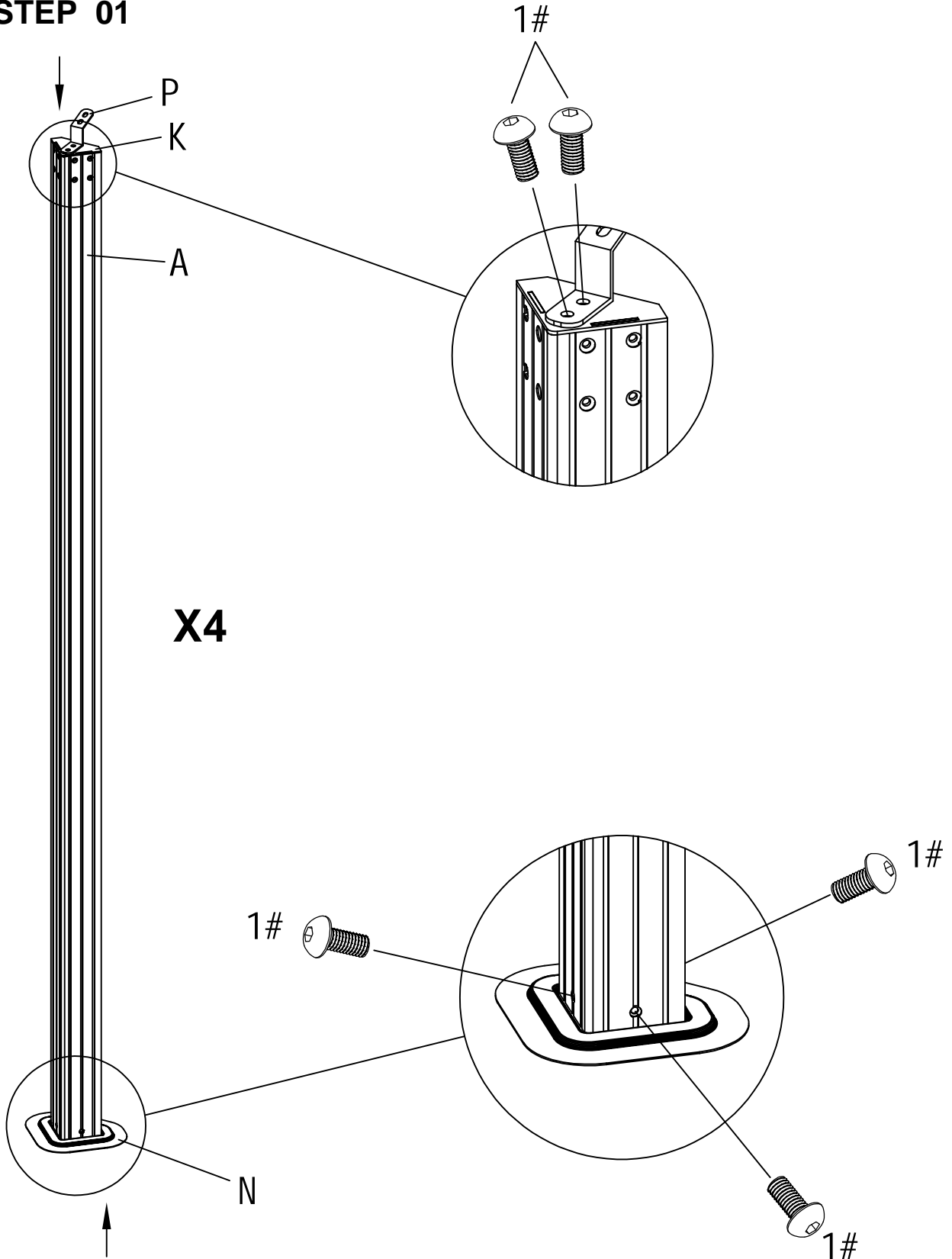
W (X4)

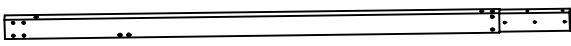
S (X24)

P (X4)

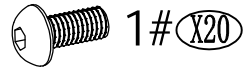


STEP 01

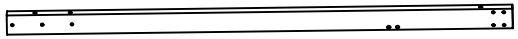




B (X4)

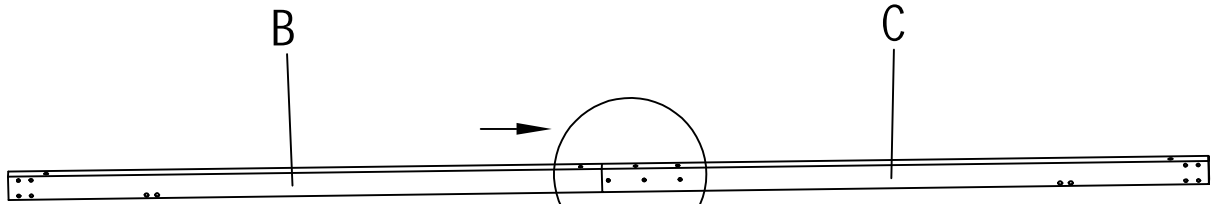


1# (X20)

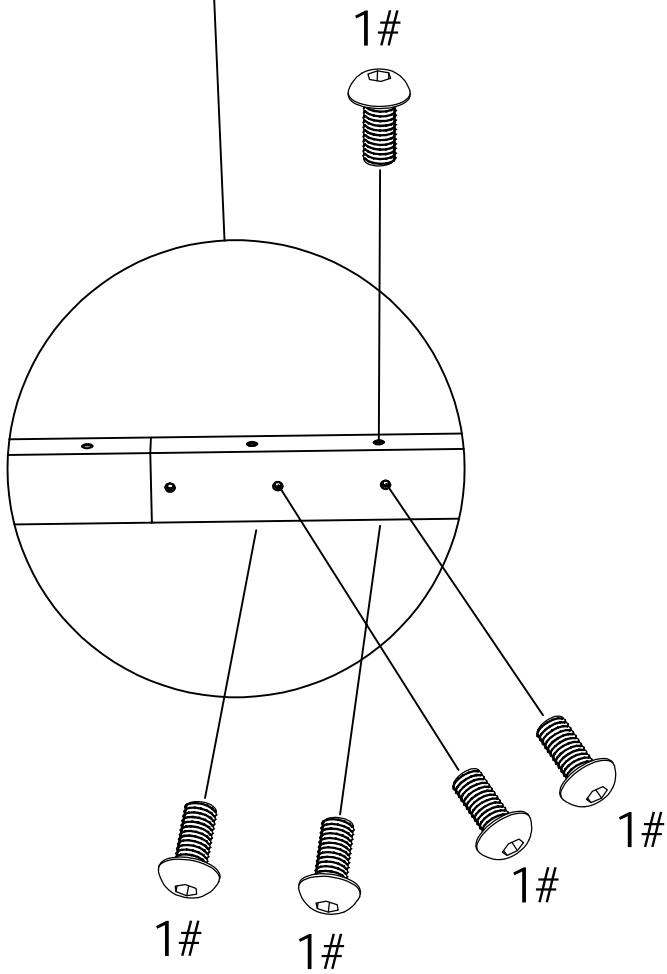


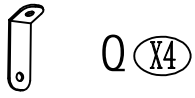
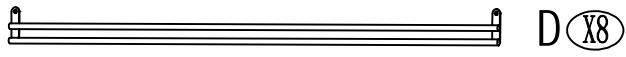
C (X4)

STEP 02

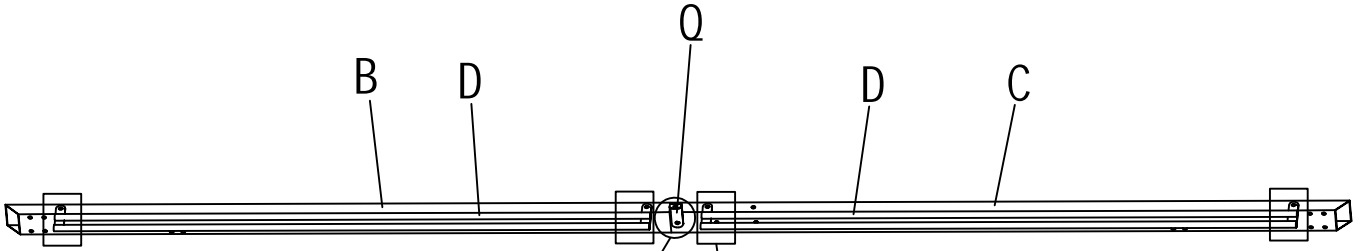


X4

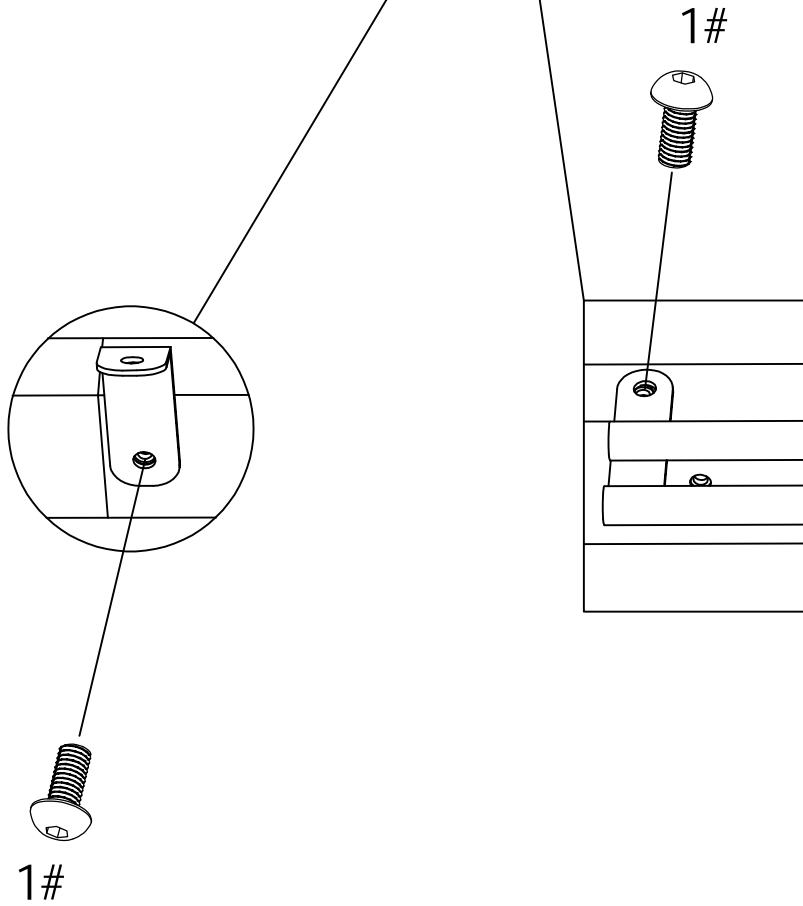


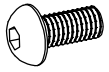


STEP 03



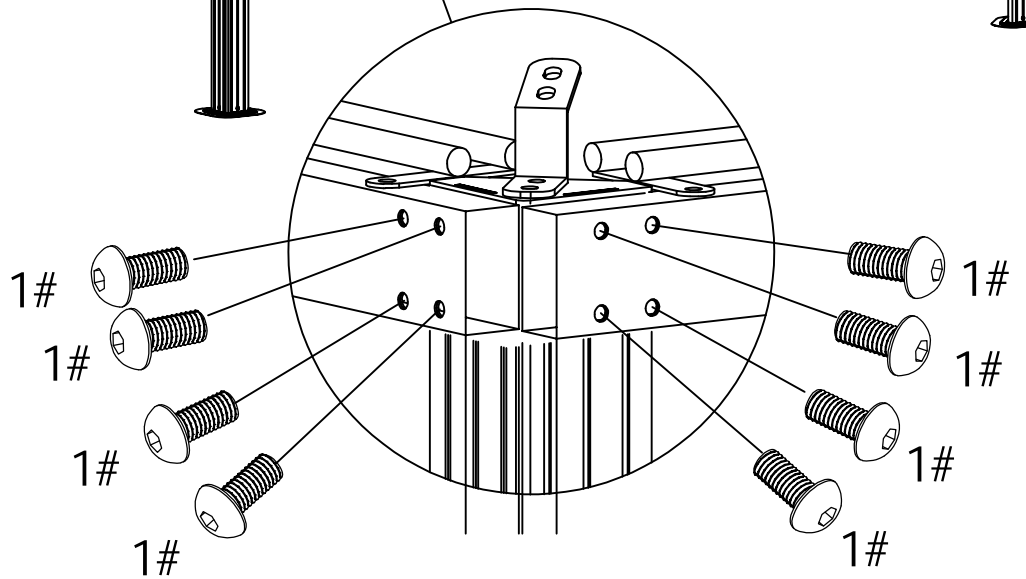
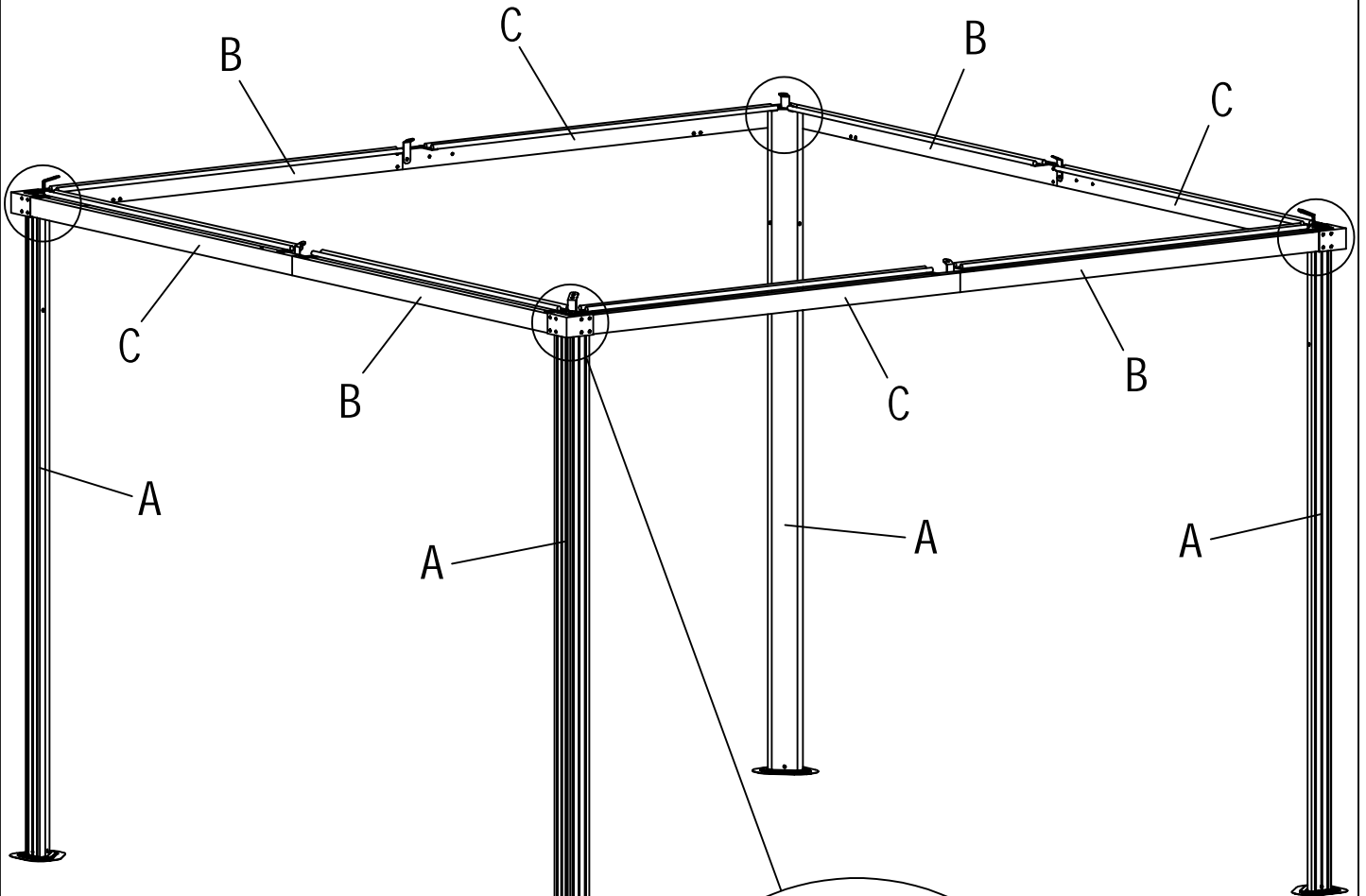
X4

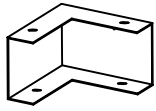




1# X32

STEP 04



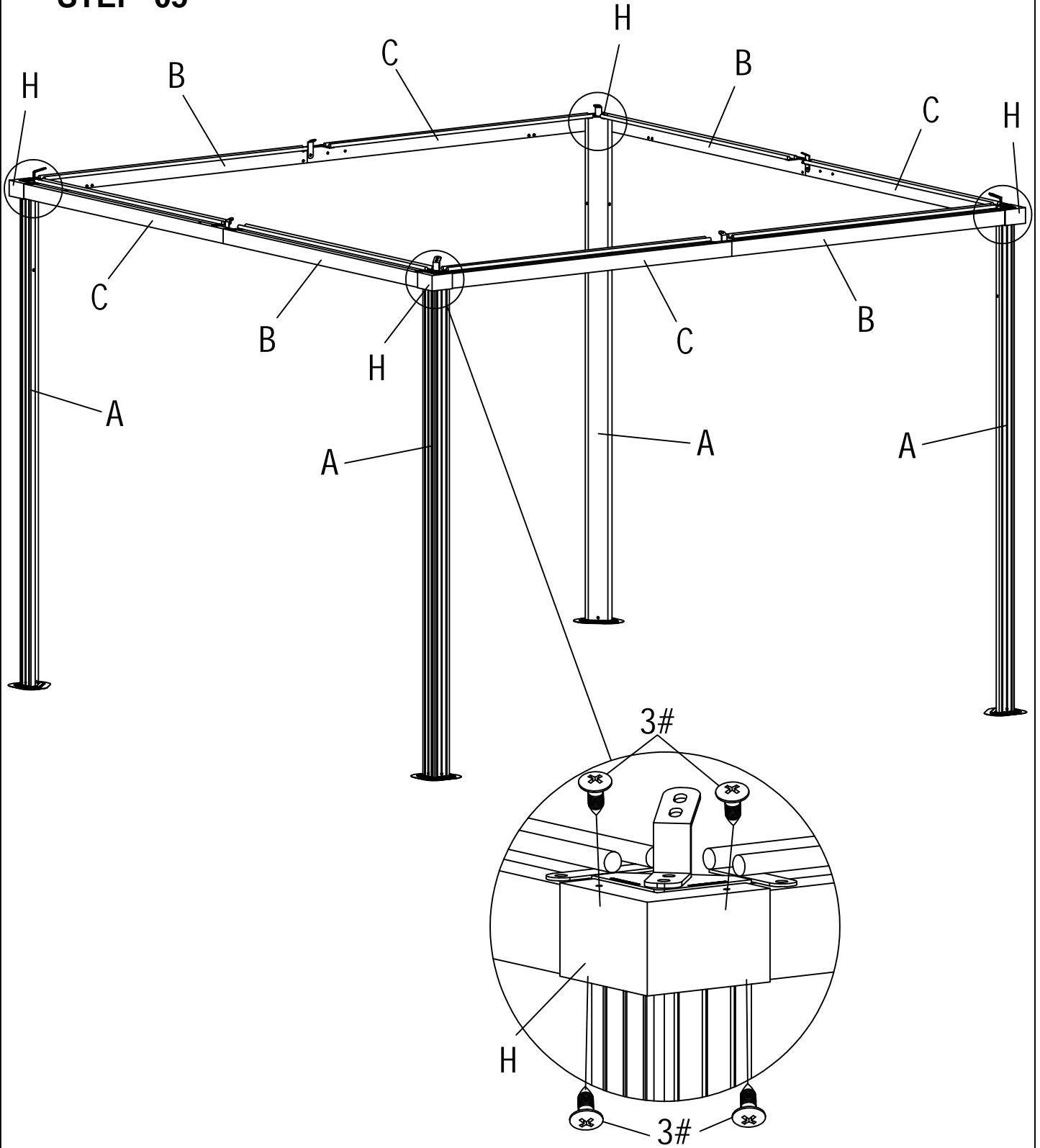


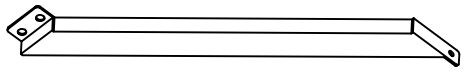
H (X4)



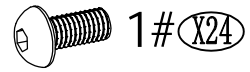
3# (X16)

STEP 05

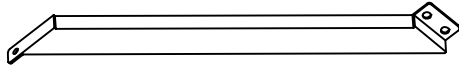




J1 (X4)

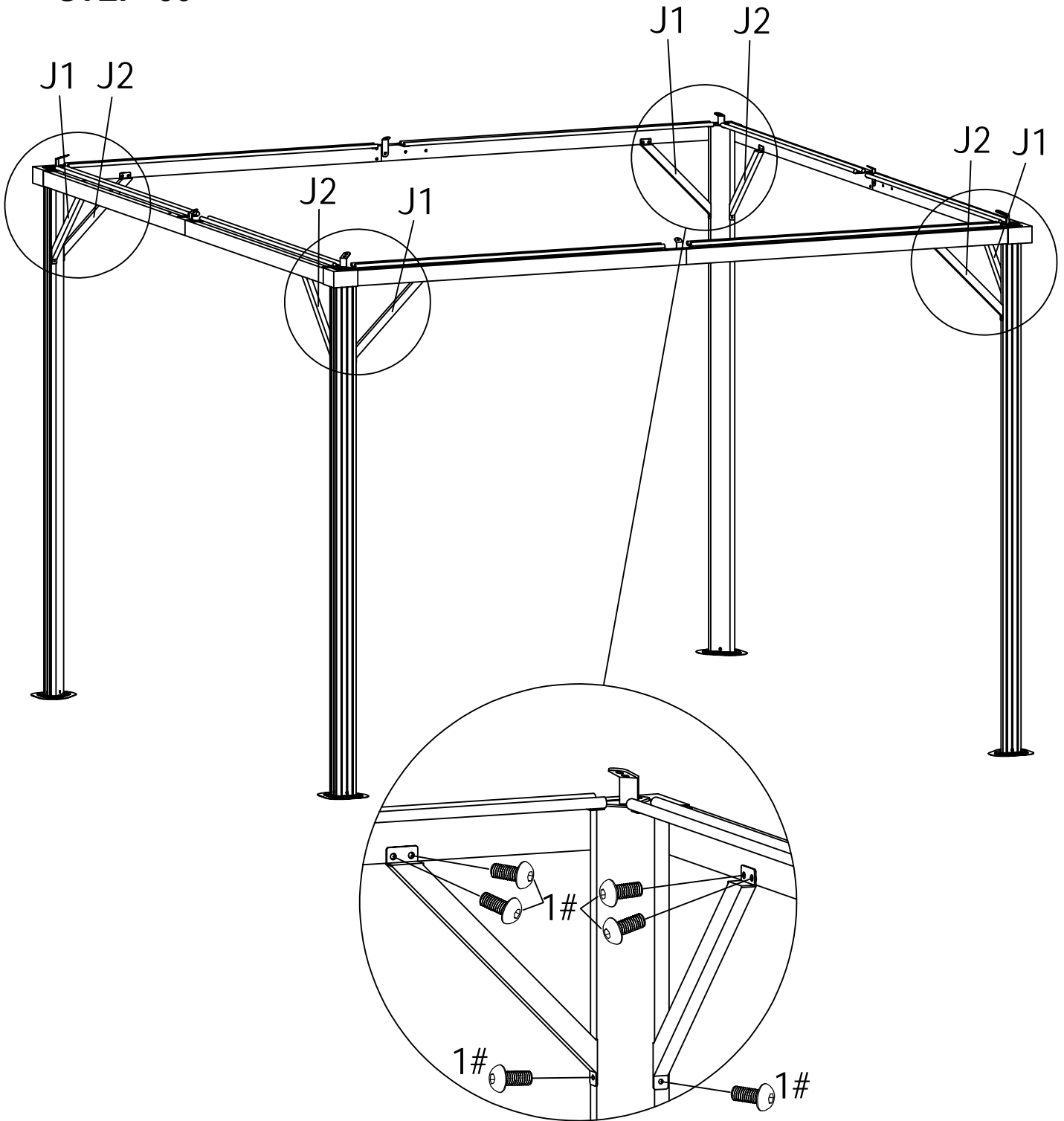


1# (X24)



J2 (X4)

STEP 06

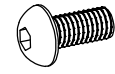




E (X4)

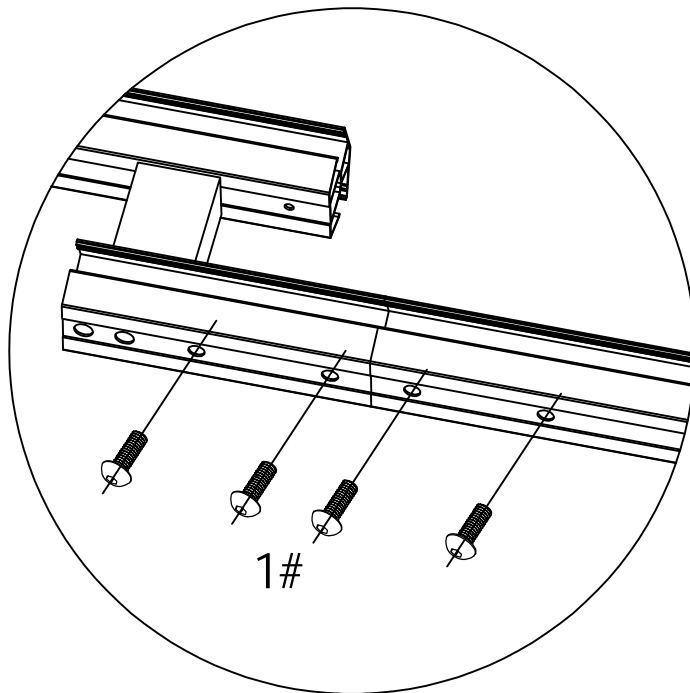
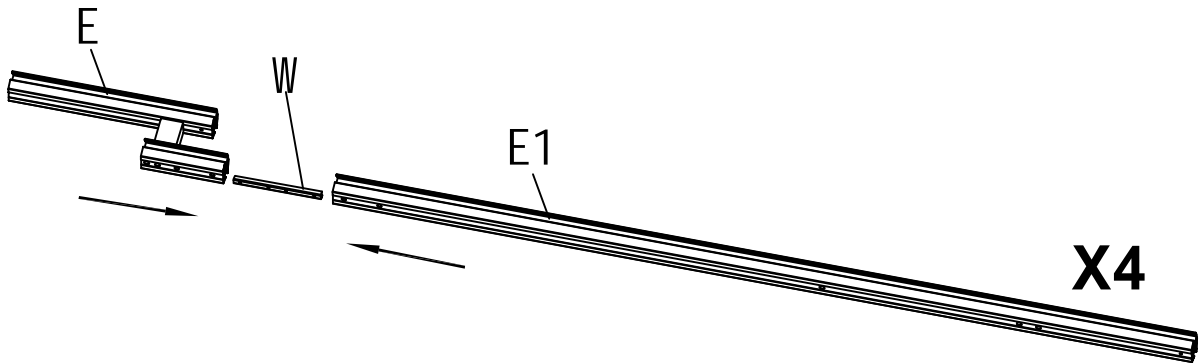


E1 (X4)



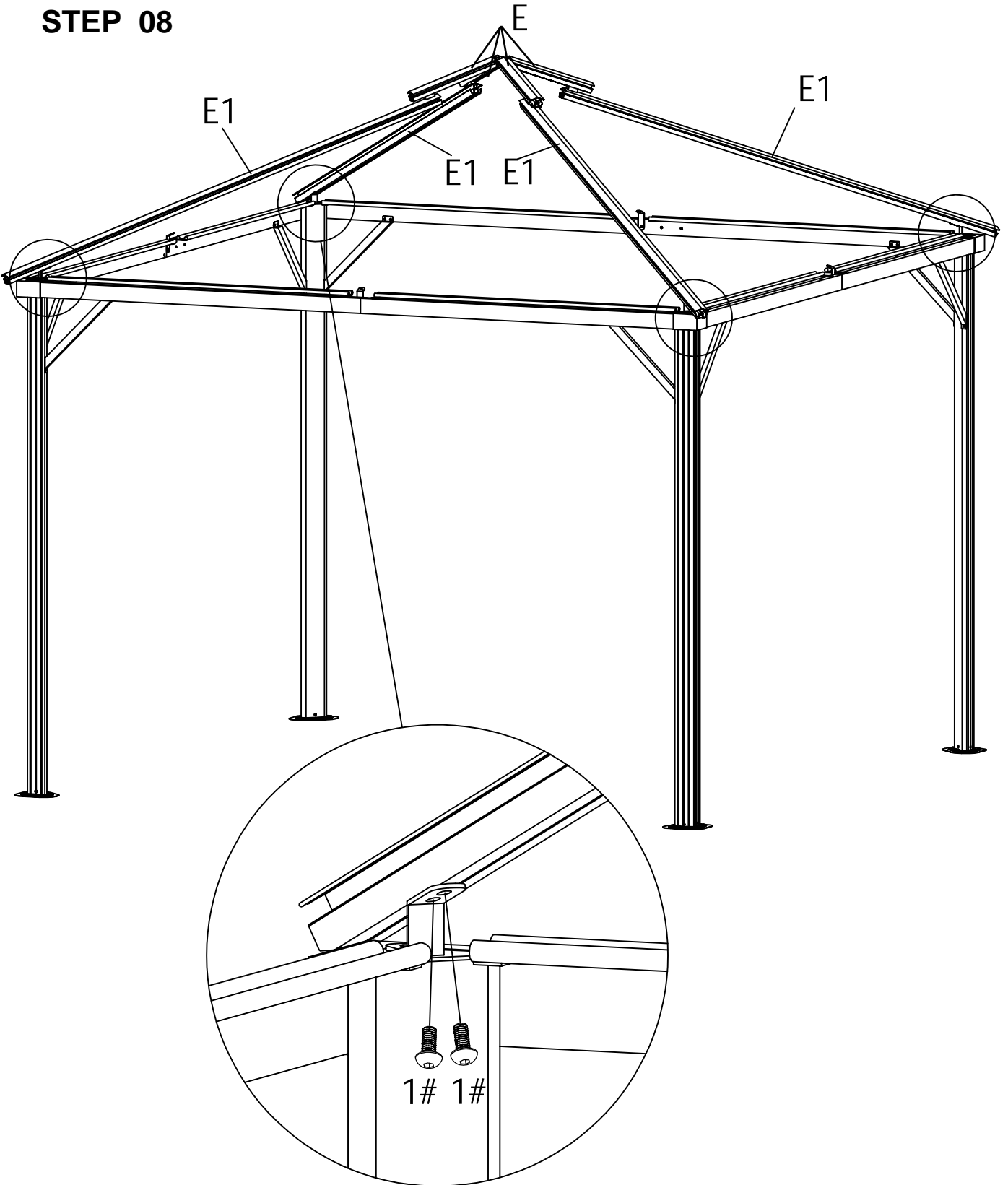
1# (X16)

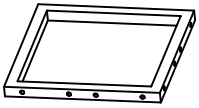
STEP 07



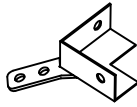


STEP 08

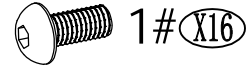




M (X1)

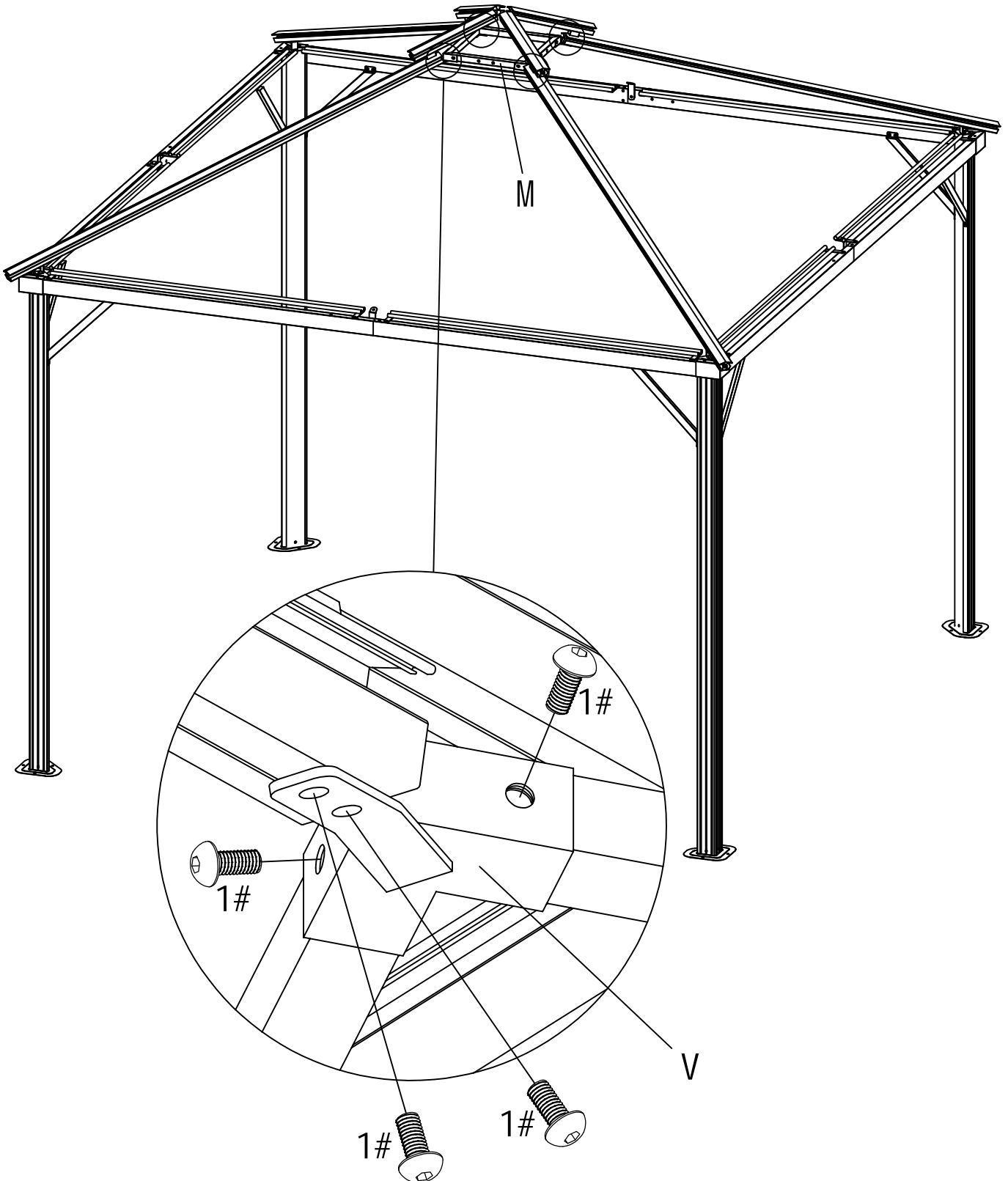


V (X4)



1# (X16)

STEP 09



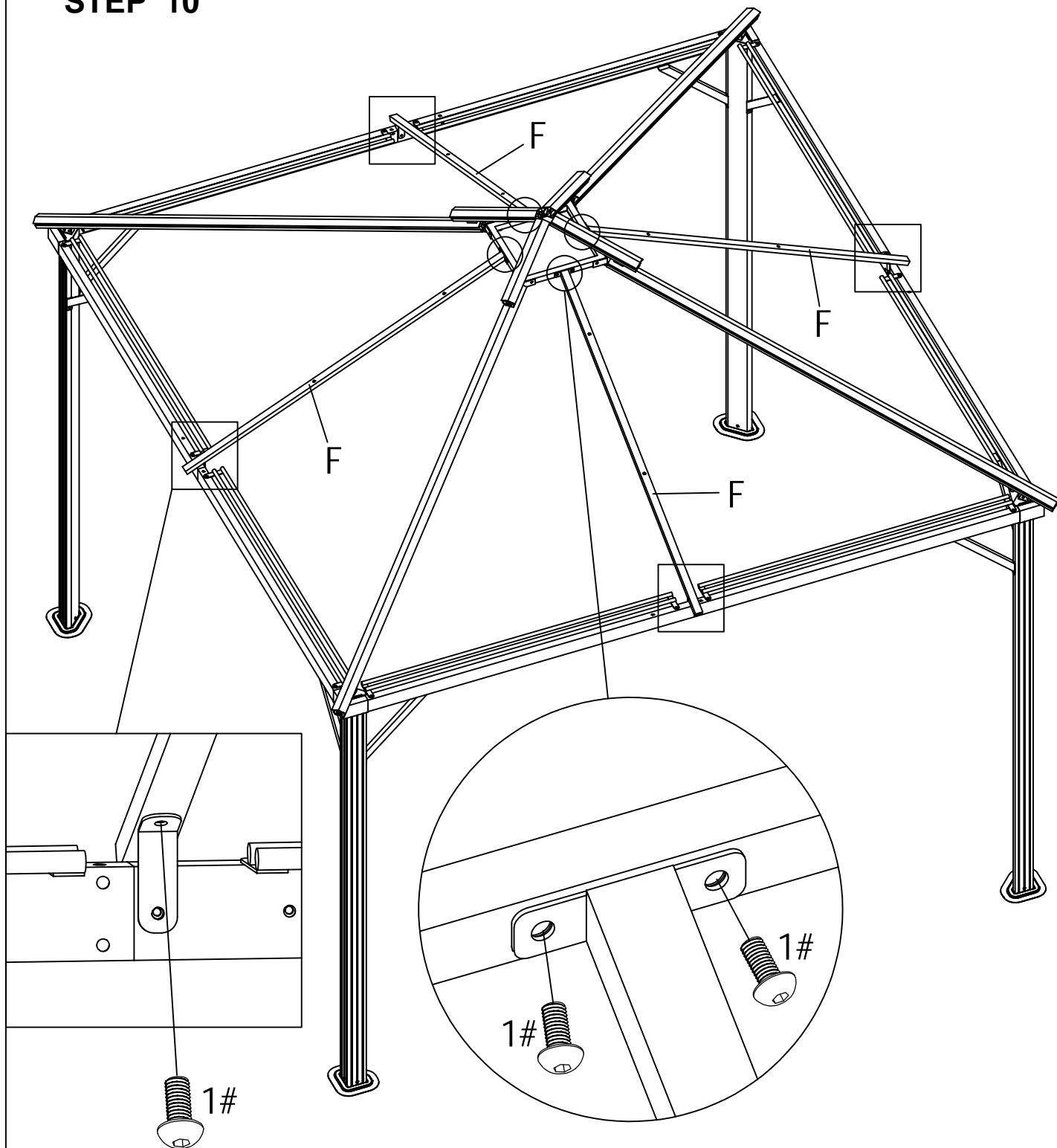


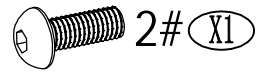
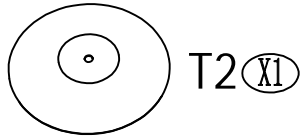
F (X4)



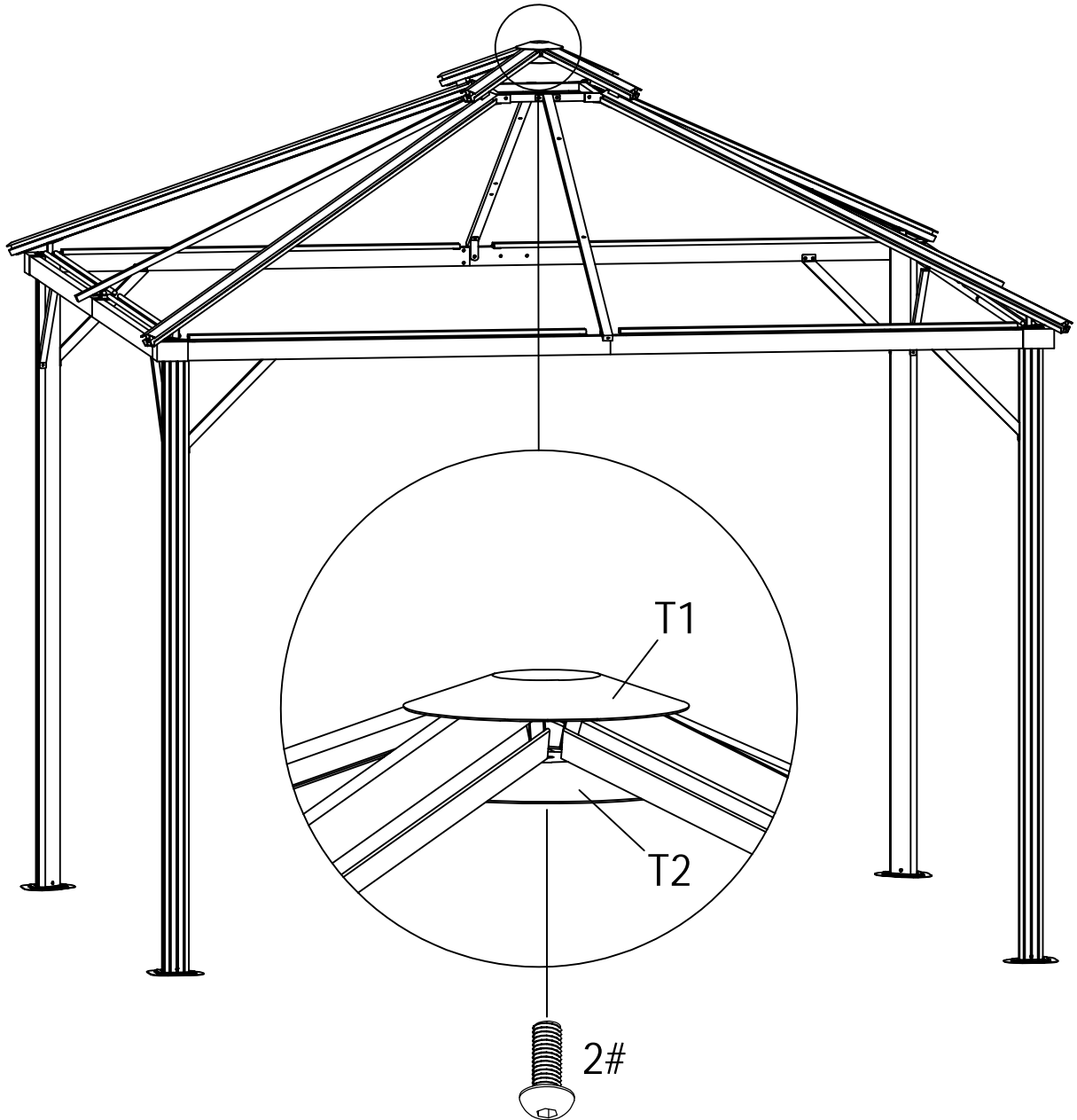
1# (X12)

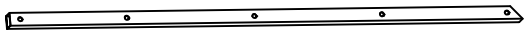
STEP 10



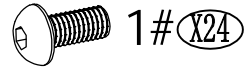


STEP 11

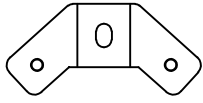




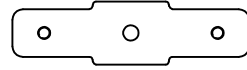
G (X8)



1# (X24)

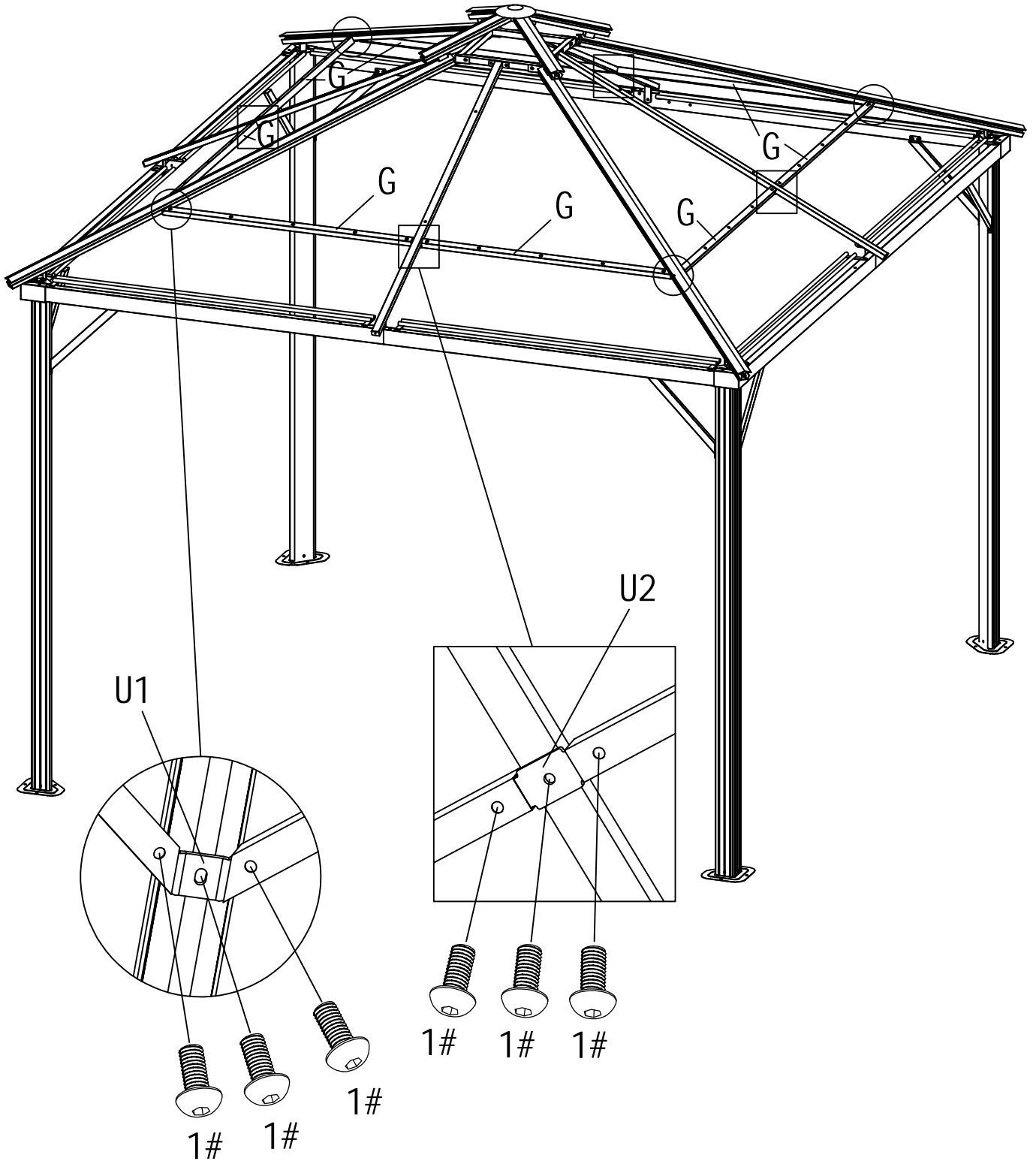


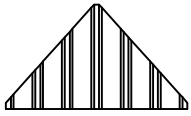
U1 (X4)



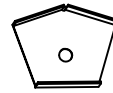
U2 (X4)

STEP 12

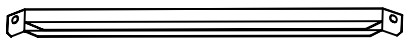




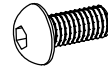
X (X4)



R1 (X4)

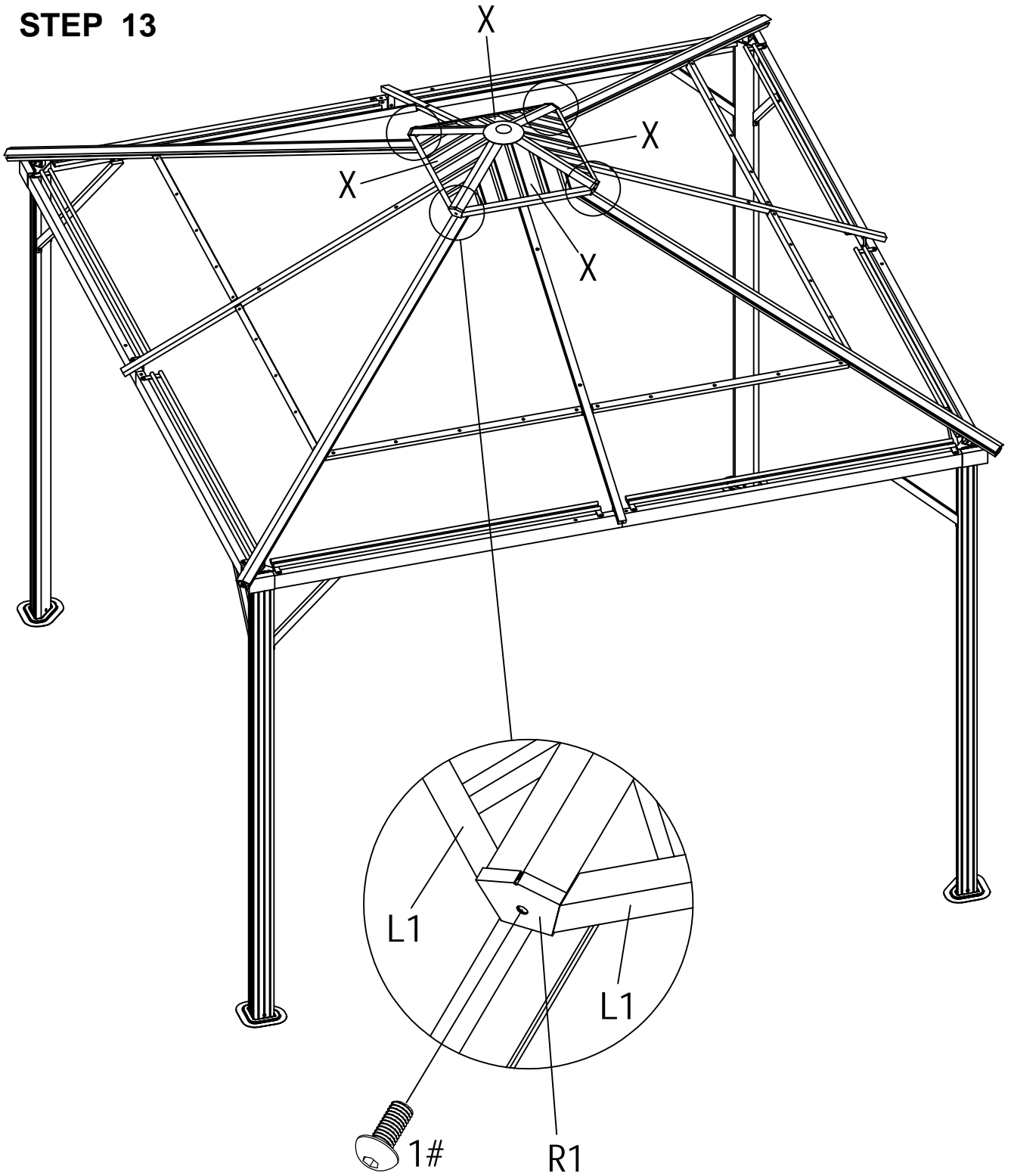


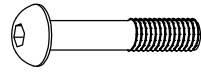
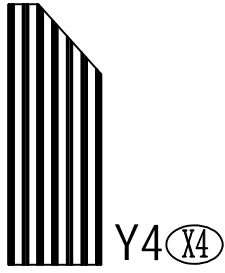
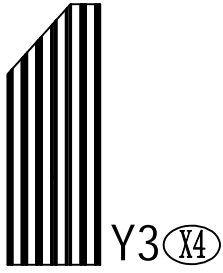
L1 (X4)



1# (X4)

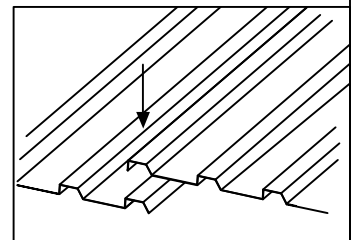
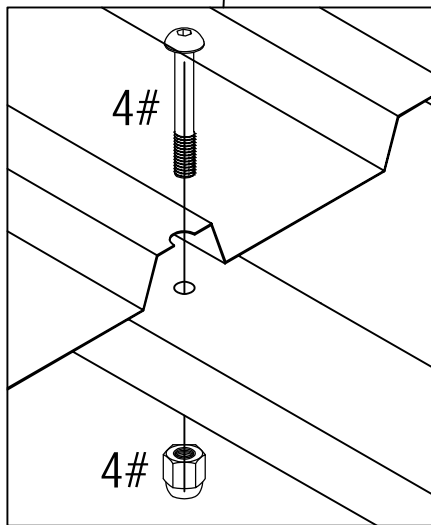
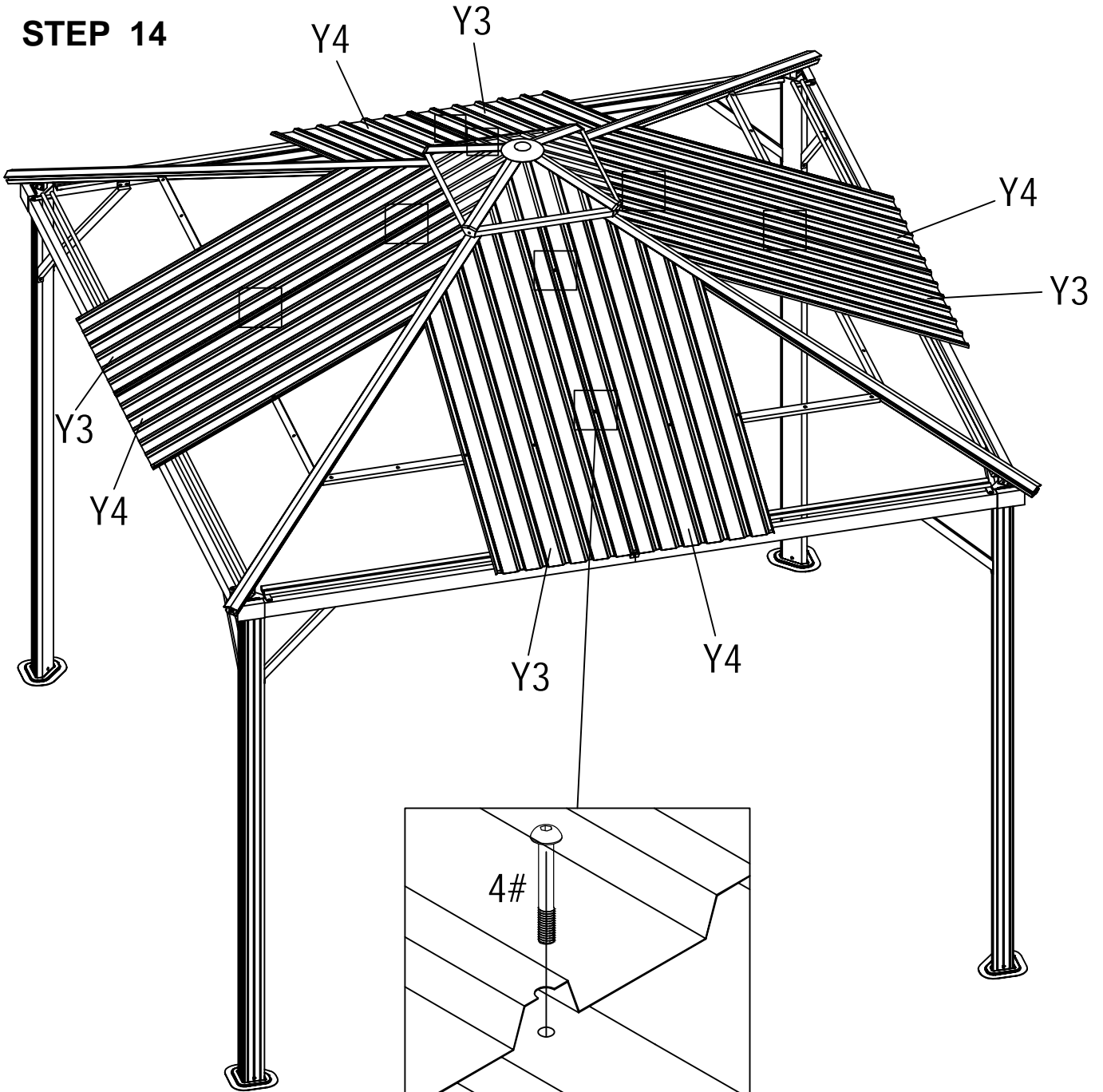
STEP 13

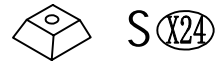
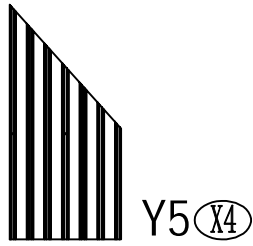
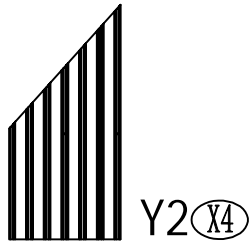




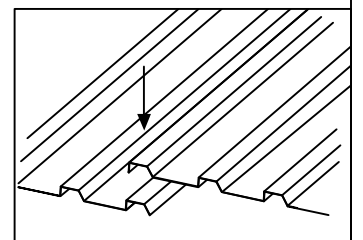
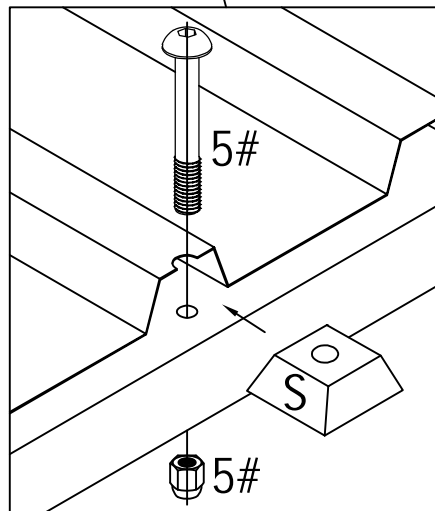
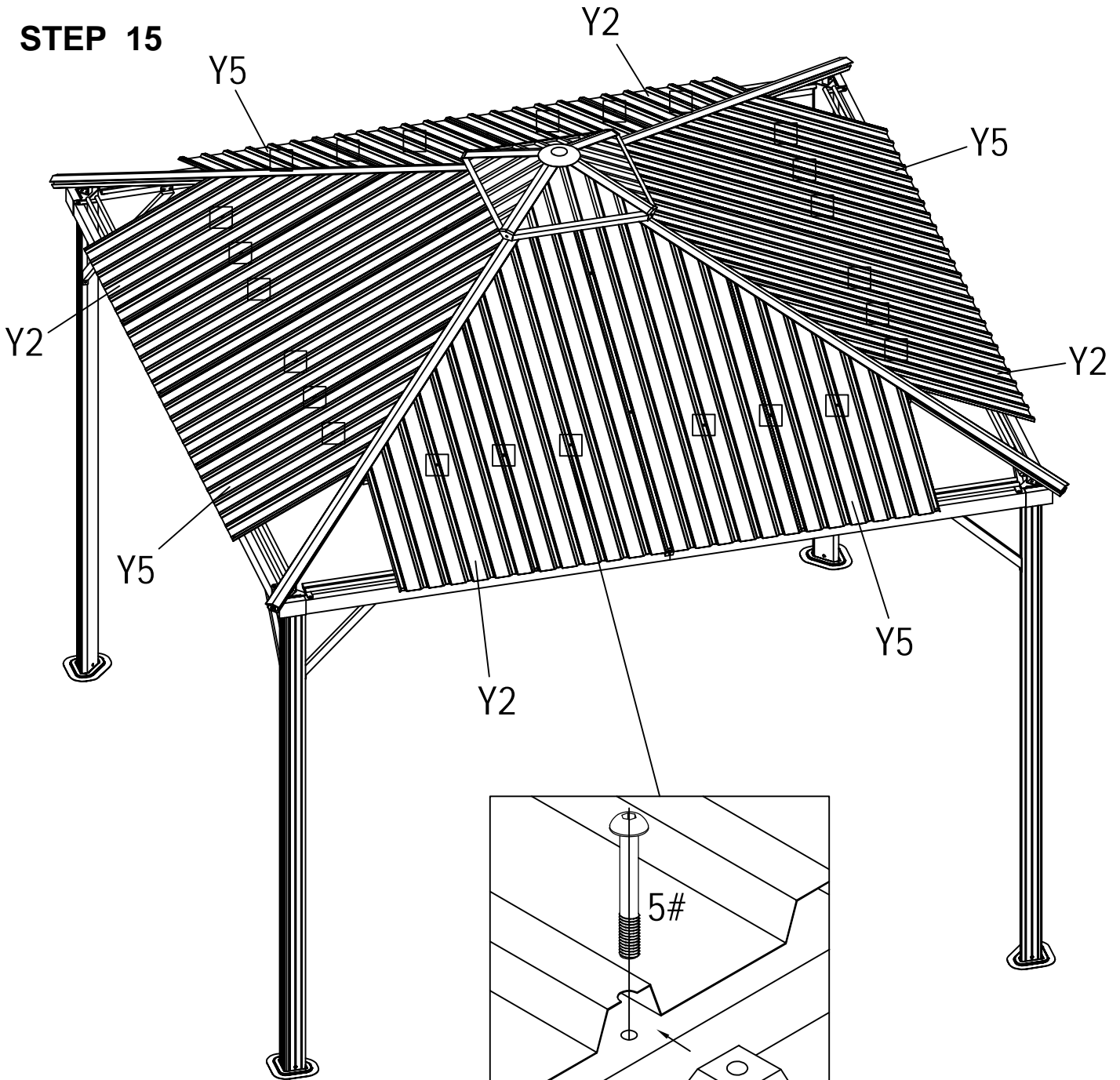
4# X8

STEP 14





STEP 15





Y1 (X4)



Y6 (X4)



R1 (X4)



R2 (X4)



L2 (X4)

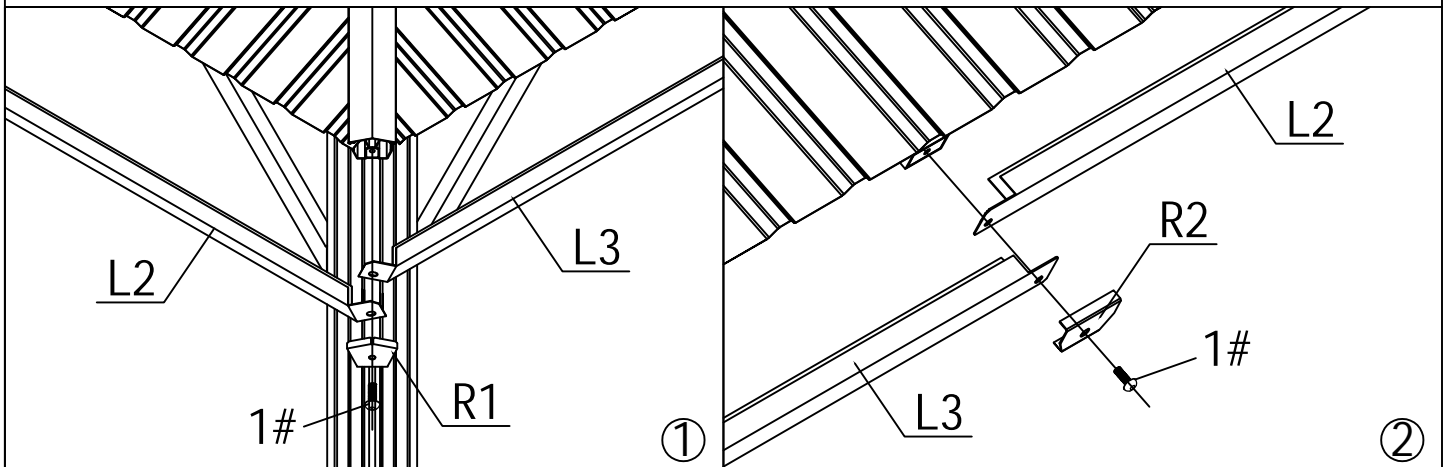
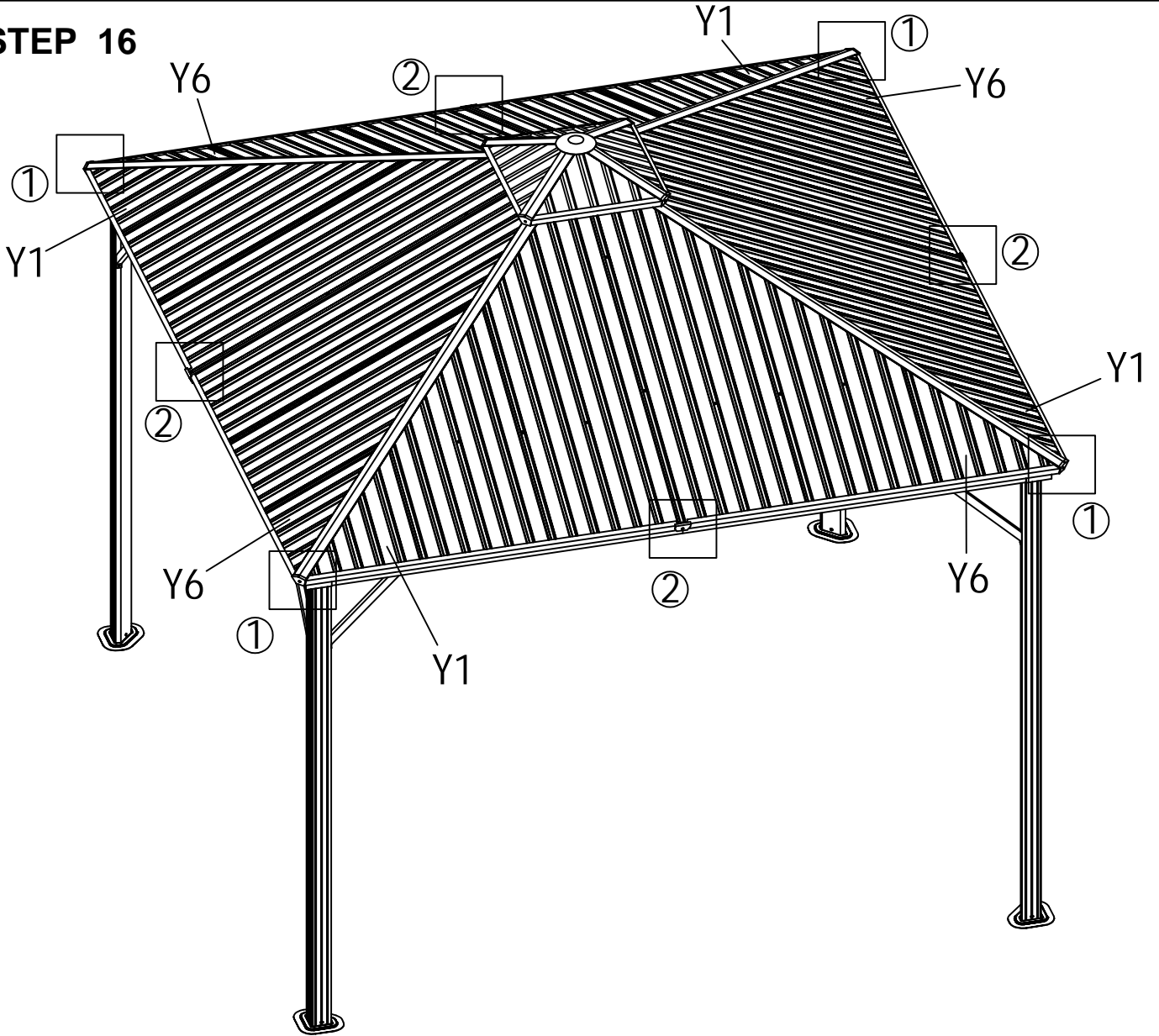


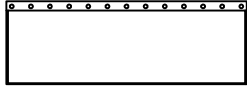
L3 (X4)



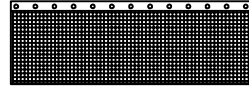
1# (X8)

STEP 16





Z1 (X4)



Z2 (X4)

STEP 17

