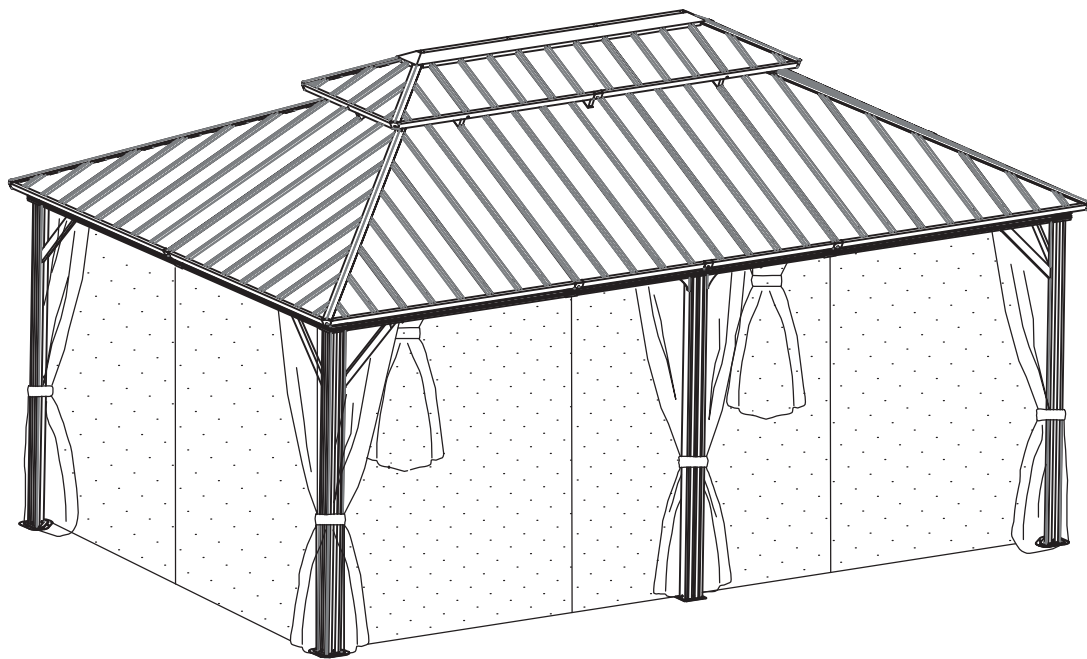


# 12 x 18FT

||||| WQG-031 |||||





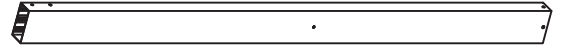
A 4x



B1 4x



B2 4x



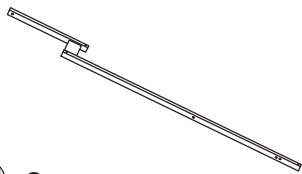
A2 2x



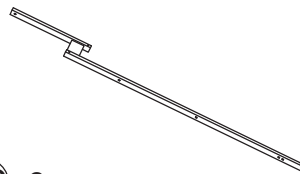
B8 2x



D 4x



D1 2x



D2 6x



C1 4x



C2 4x



C11 4x



F1 4x



F2 4x



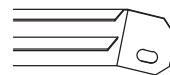
F5 4x



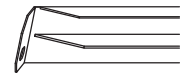
F8 3x



G1 2x



G7 2x



G8 2x



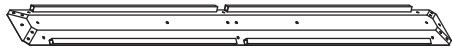
I1 2x



I7 2x



I8 2x



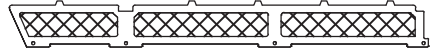
L5A 1x



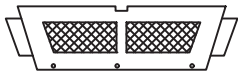
M5 1x



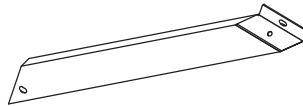
V5a 2x



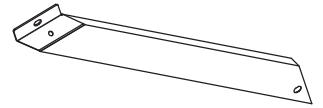
V5b 2x



V1 2x



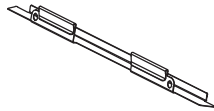
H 4x



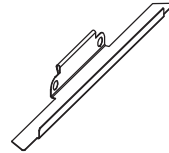
H1 4x



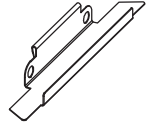
E5 4x



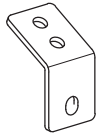
Z 64x



Z1 8x



Z2 8x



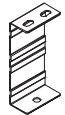
Q1 8x



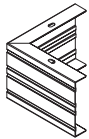
N 12x



N1 10x



K1 6x



K 4x



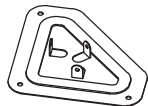
J1 2x



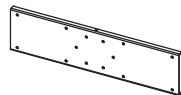
U1 2x



U2 2x



J 4x



P 6x



V 6x



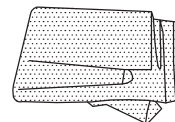
Y 92x




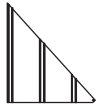
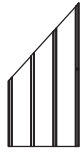



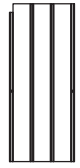


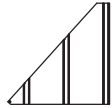
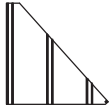
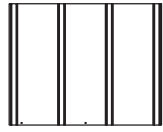









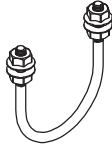


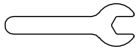
U 144x



T 4x + 2x

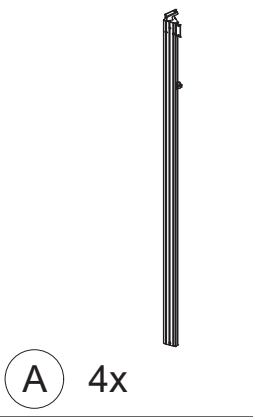


T1 4x + 2x

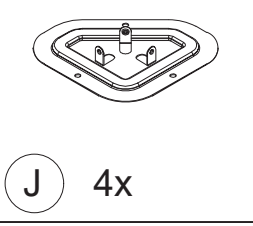
 <b>X1</b> 4x	 <b>X2</b> 4x	 <b>X3</b> 4x	 <b>X4</b> 4x
 <b>X5</b> 4x	 <b>X6</b> 4x	 <b>X7</b> 2x	 <b>X8</b> 2x
 <b>X9</b> 2x	 <b>S1</b> 4x	 <b>S2</b> 4x	 <b>S3</b> 6x
 M6x15 <b>1</b> 244x	 M6x23 <b>2</b> 80x	 M6x25 <b>3</b> 12x	 ST 4.8x12 <b>4</b> 8x
 <b>5</b> 3x	 M6x45 <b>7</b> 12x	 <b>8</b> 16x	 M6x10 <b>9</b> 12x
 <b>10</b> 20x	 <b>11</b> 1x	 <b>12</b> 2x 4mm	 <b>13</b> 1x 6mm
 <b>14</b> 1x			

Carton-1/6		Carton-3/6		Carton-4/6	
Part	Qty	Part	Qty	Part	Qty
A	4	B1	4	U	144
A2	2	B2	4	T	4+2
		V1	2	T1	4+2
		V5a	2	1.2.3.4.5.7.8.9. 10.11.12.13.14	1
		V5b	2		
Carton-2/6					
Part	Qty				
D	4	Carton-4/6		Carton-5/6	
D1	2	Part	Qty	Part	Qty
D2	6	L5A	1	X5	4
E5	4	M5	1	X6	4
C1	4	B8	2	X7	2
C2	4	F1	4	X8	2
C11	4	F2	4	X9	2
G1	2	F5	4		
G7	2	F8	3		
G8	2	H	4		
I1	2	H1	4		
I7	2	Q1	8	Carton-6/6	
I8	2	N	12	Part	Qty
Z	64	N1	10	X1	4
Z1	8	K1	6	X2	4
Z2	8	K	4	X3	4
P	6	J1	2	X4	4
J	4	W1	2	S1	4
		W2	2	S2	4
		V	6	S3	6
		Y	92		

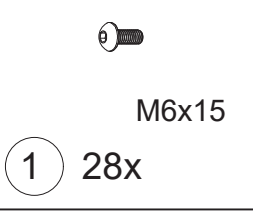
<1>



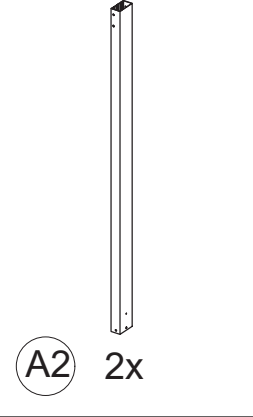
A 4x



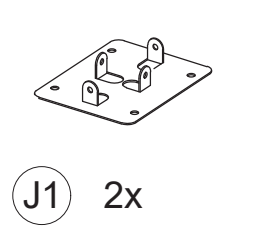
J 4x



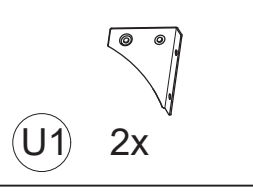
1 28x  
M6x15



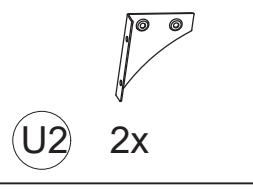
A2 2x



J1 2x

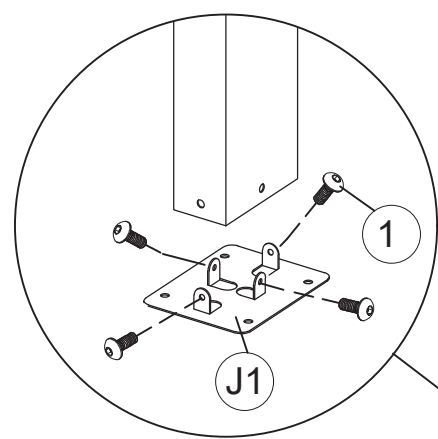
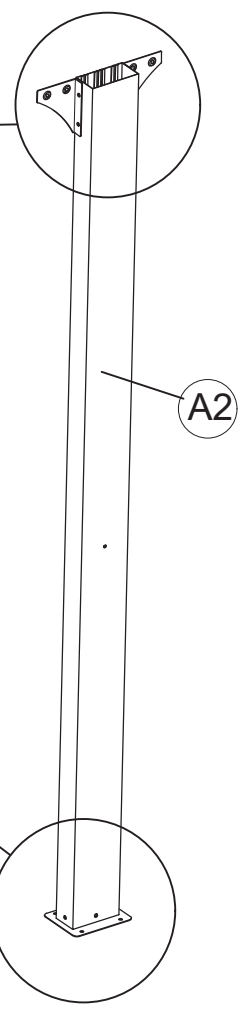
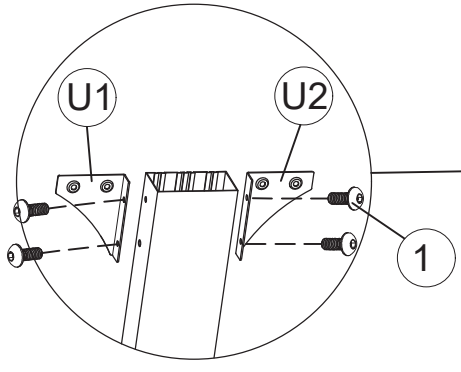
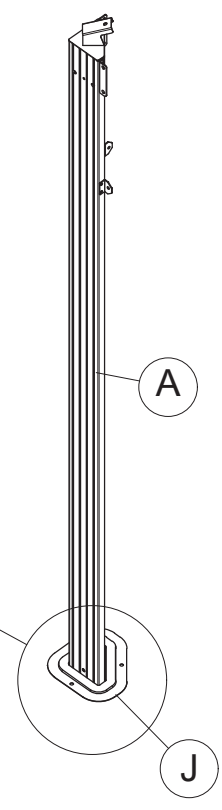
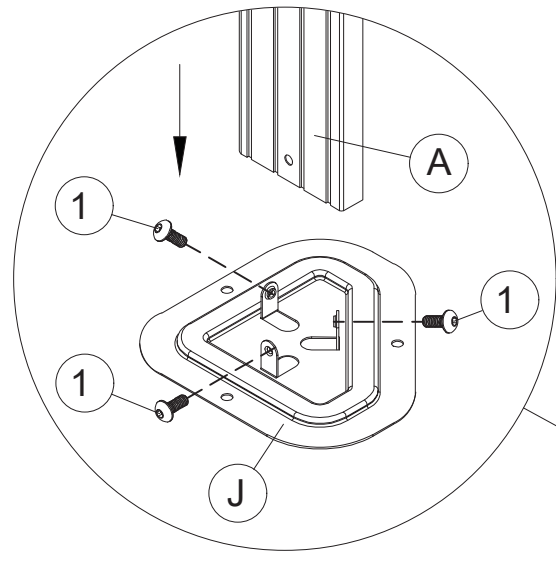


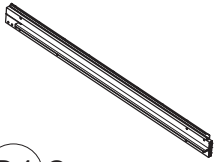
U1 2x



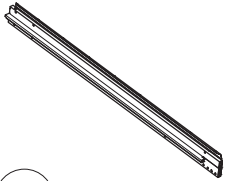
U2 2x

6

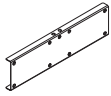




B1 2x



B2 2x



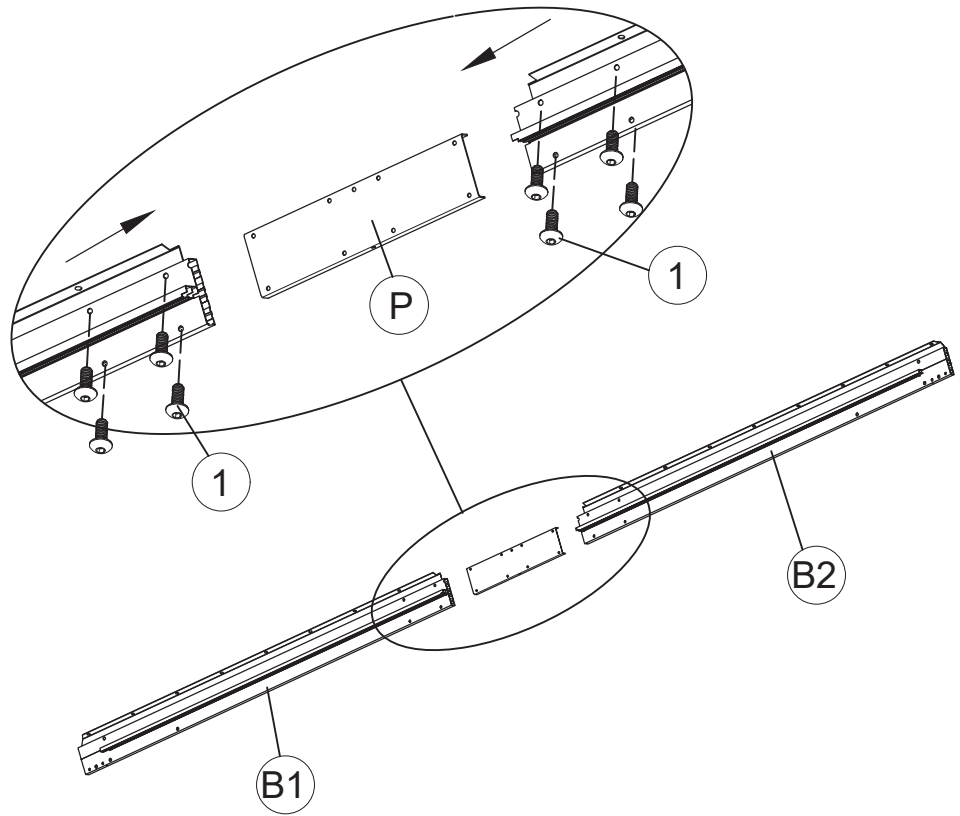
P 2x



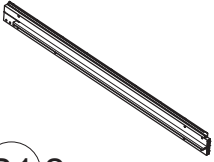
M6x15

1 16x

<2>



<3>



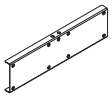
B1 2x



B2 2x



B8 2x

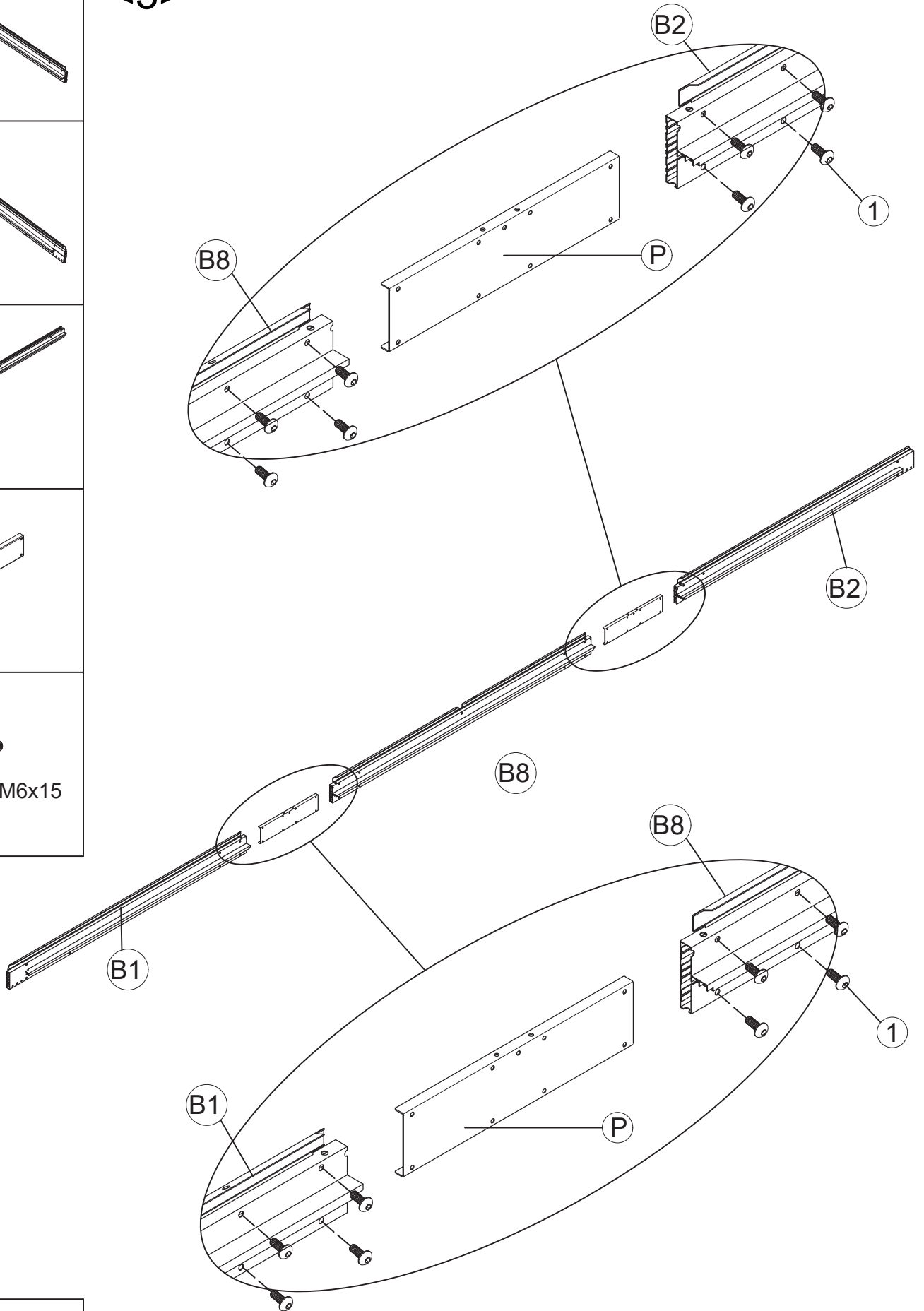


P 4x



M6x15

1 32x





<4>

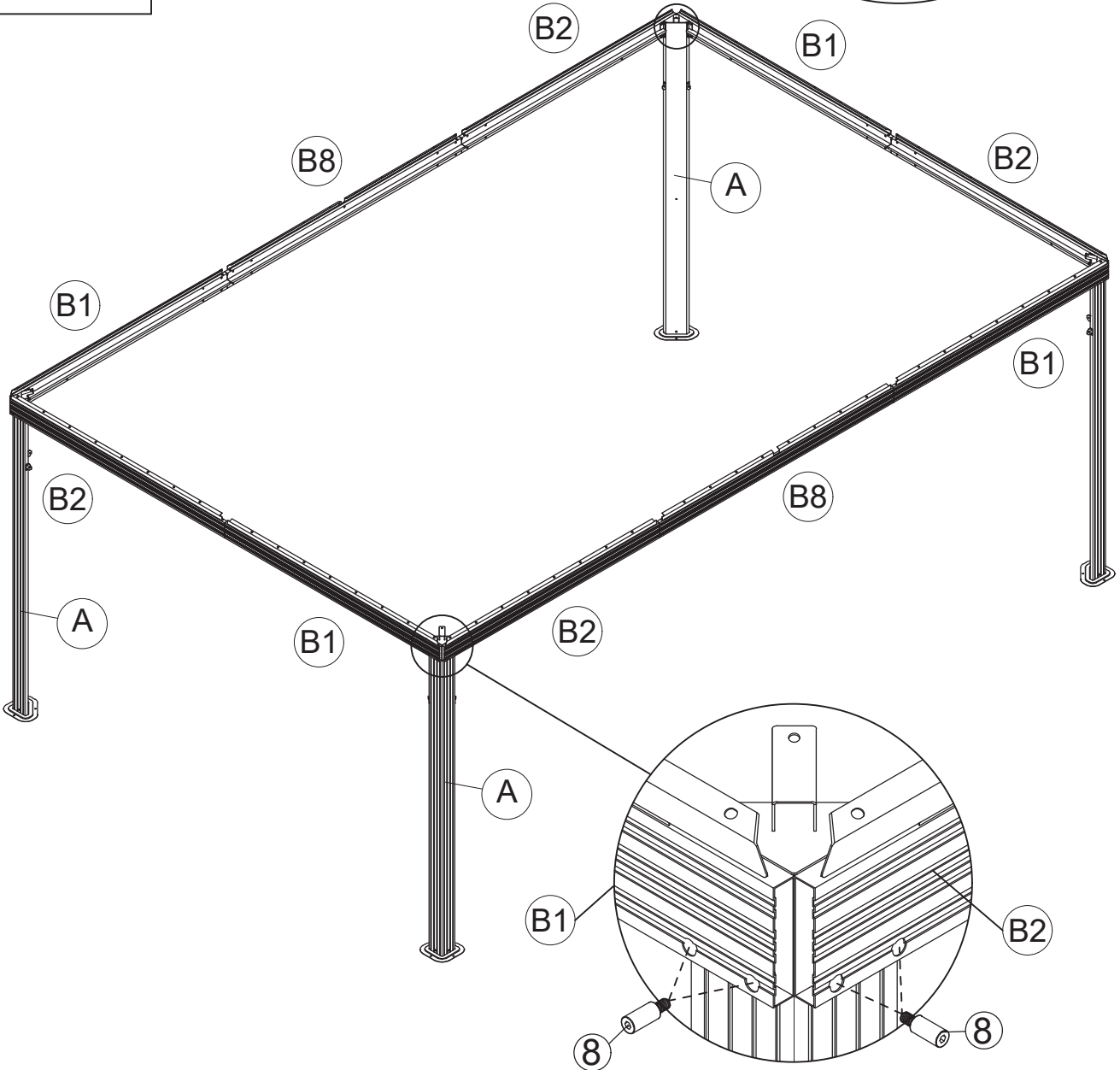
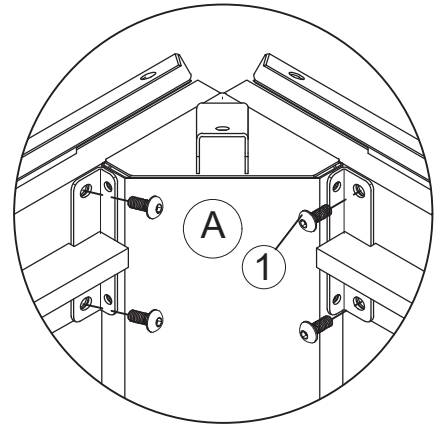


8 16x

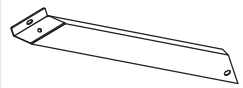


M6x15

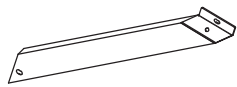
1 16x



9



H1 4x



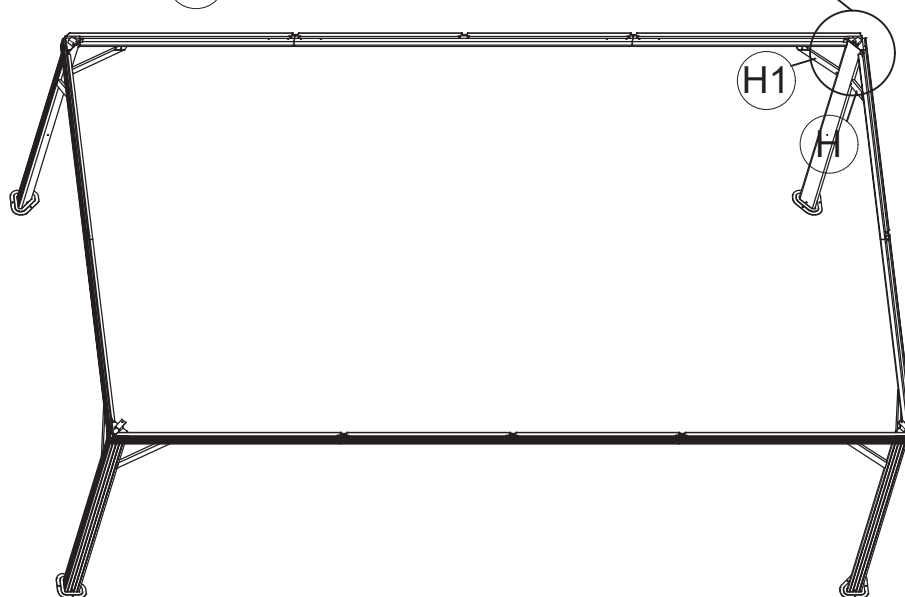
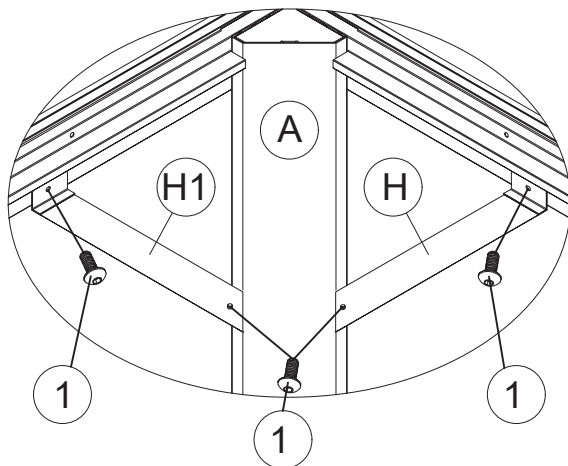
H 4x



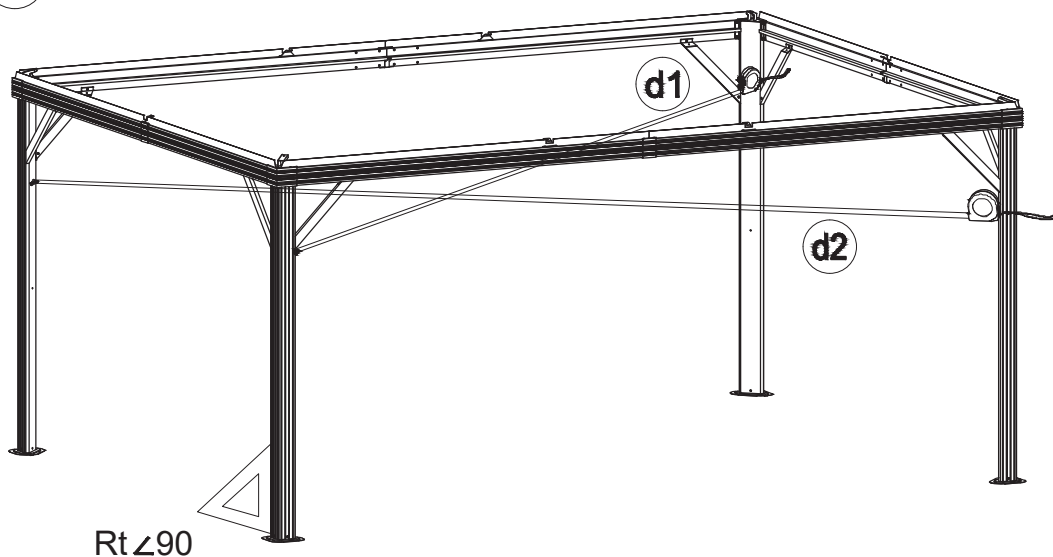
M6x15

1 16x

<5>



i d1=d2



Tips: Please measure to make sure the length of d1 is equal to d2 before moving to next step to ensure a square frame and best results. Keep the beam at right angles to the post, the post at right angles to the ground, and keep the beam horizontal.



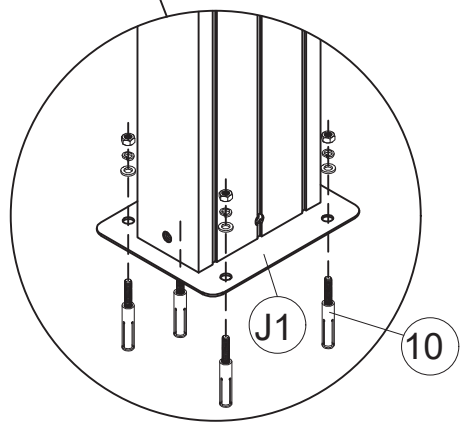
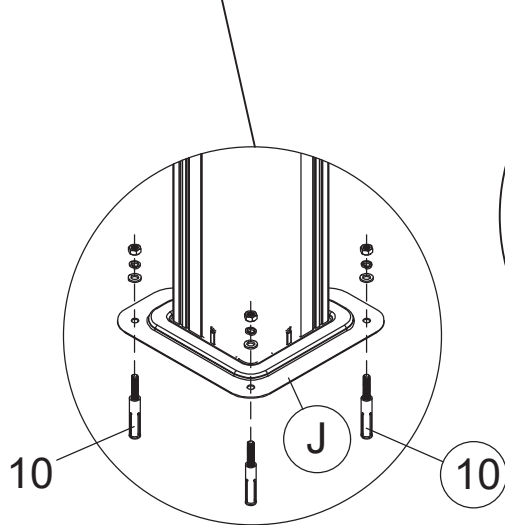
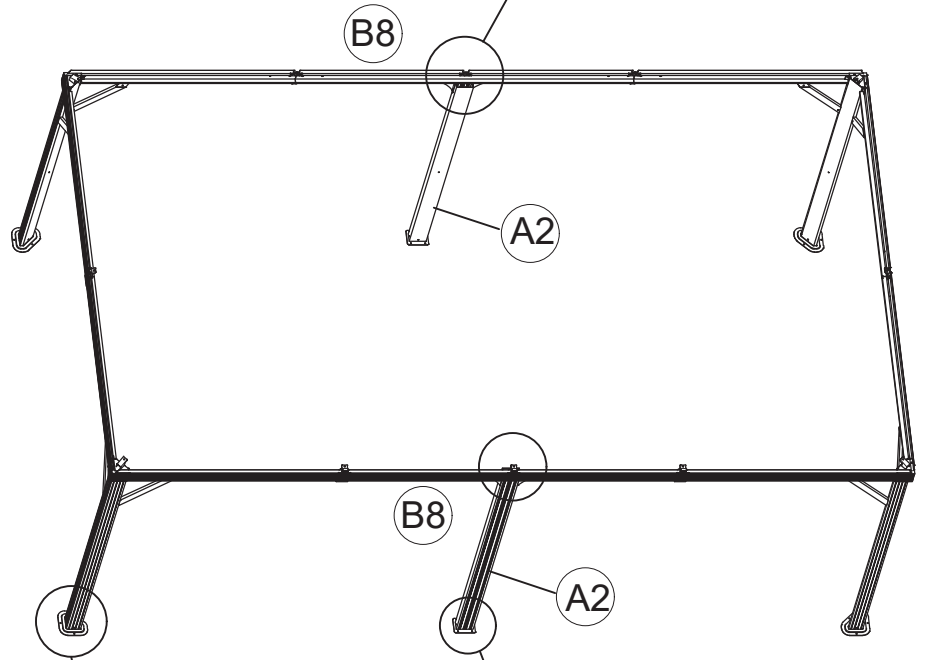
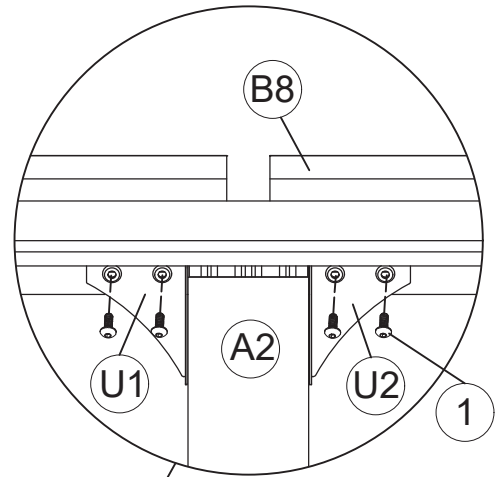
M6x15

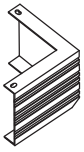
1 8x



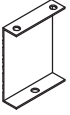
10 20x

<6>





K 4x



K1 6x



U 144x



V 6x



M6x15

1 18x

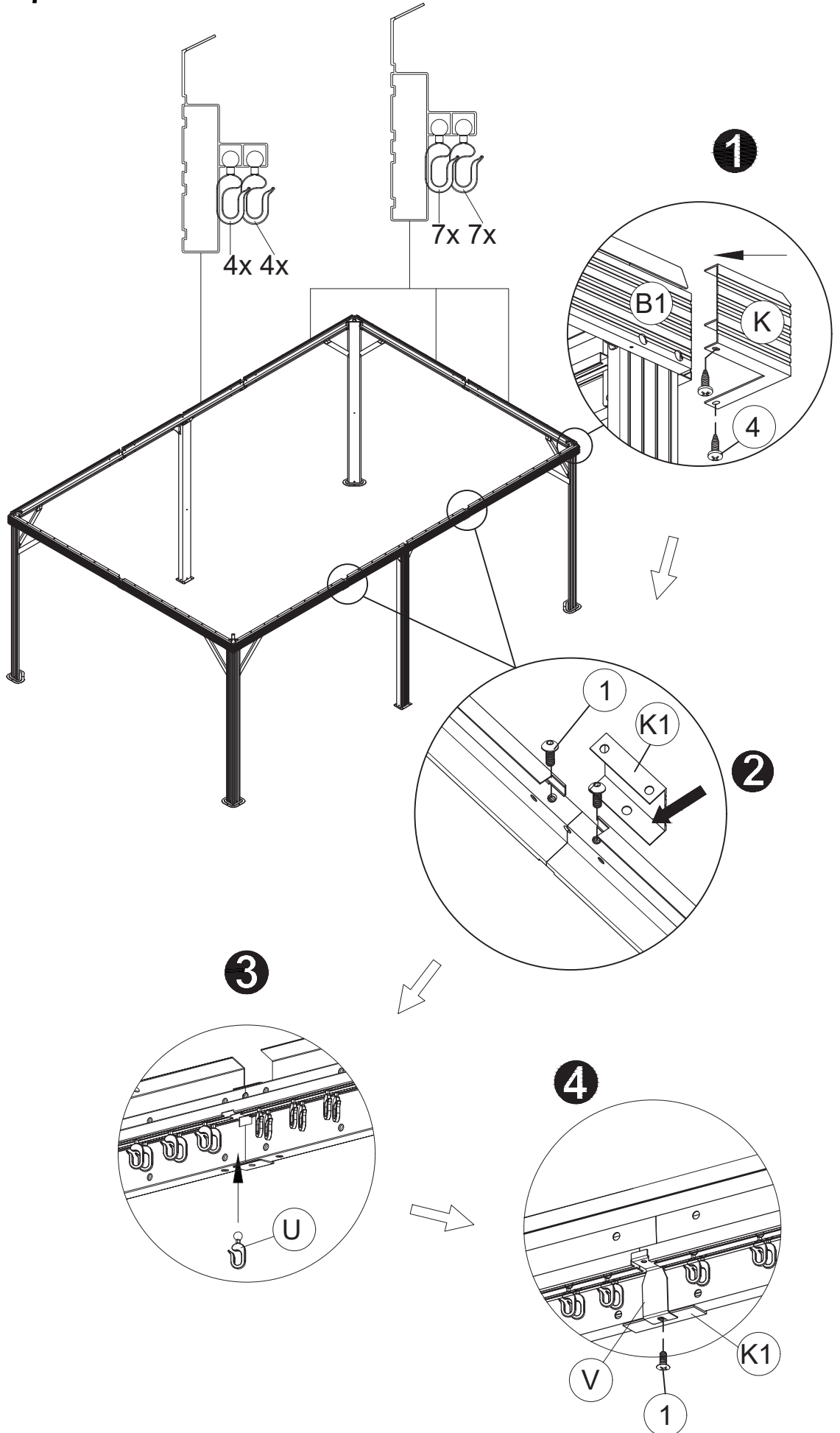


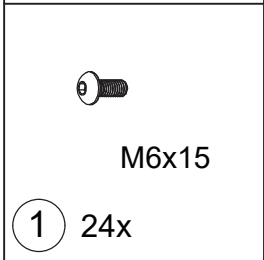
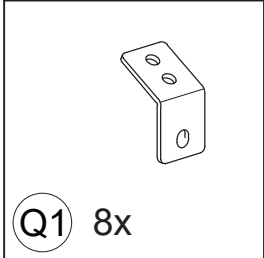
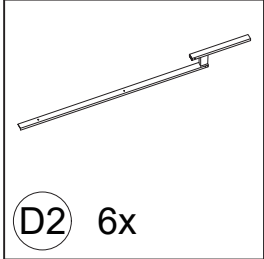
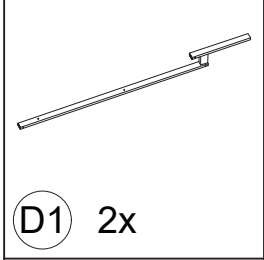
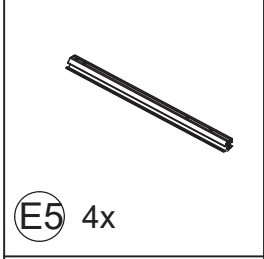
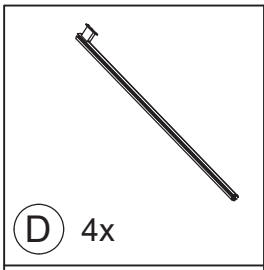
ST4.8x12

4 8x

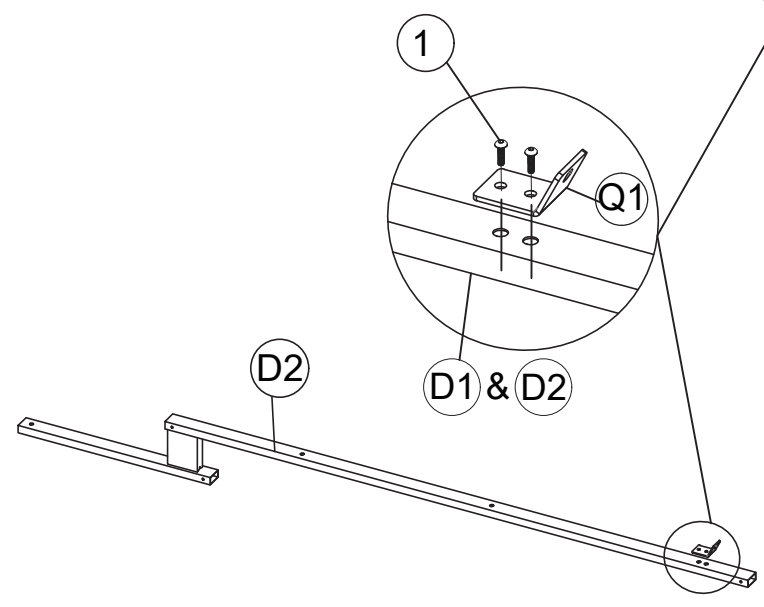
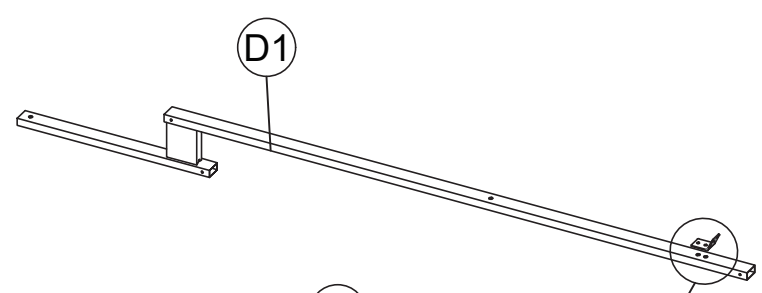
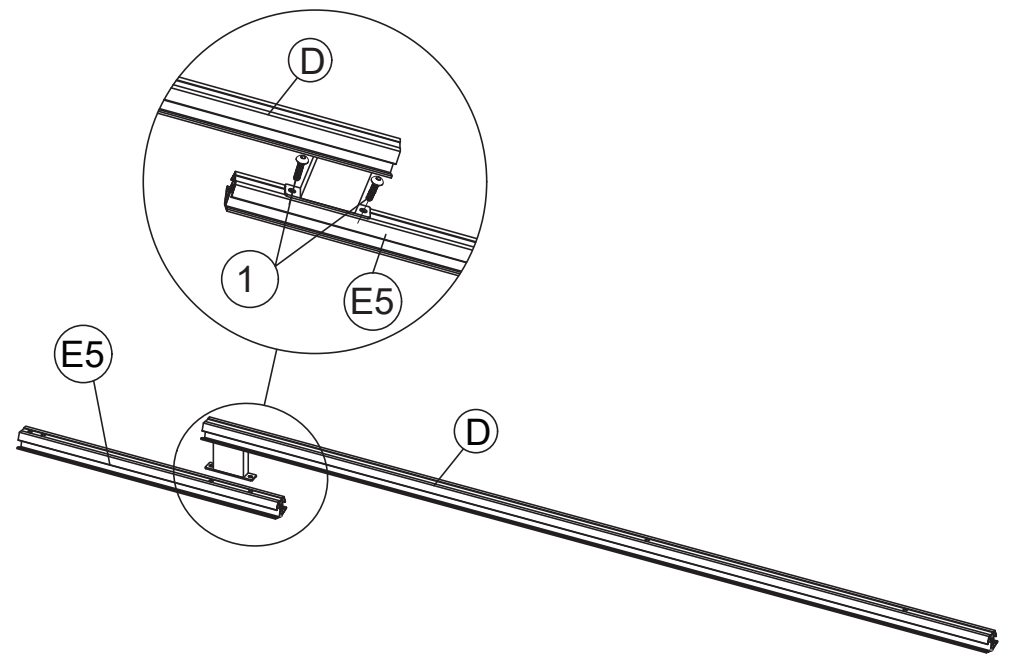
12

<7>



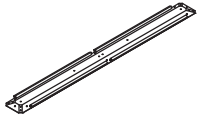


<8>

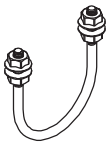




1 12x M6x15

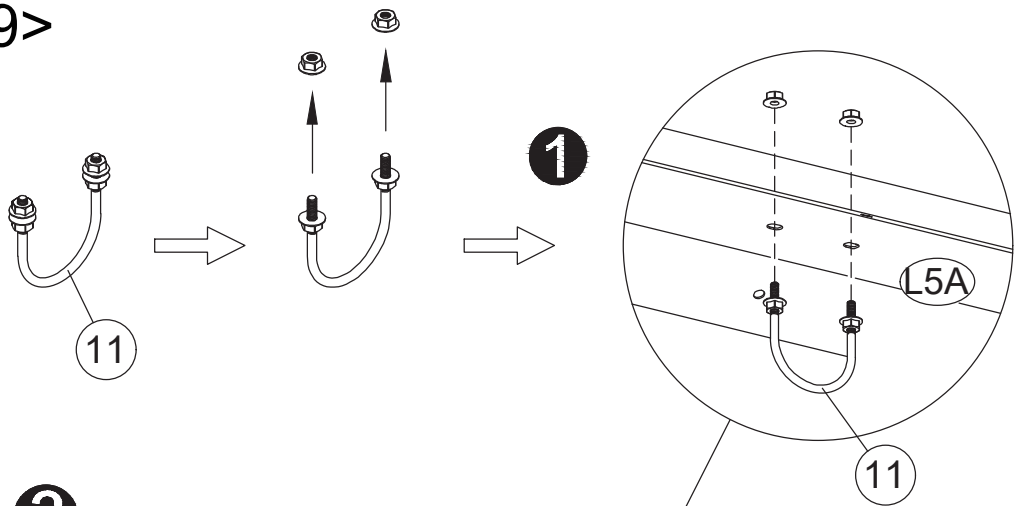


L5A 1x

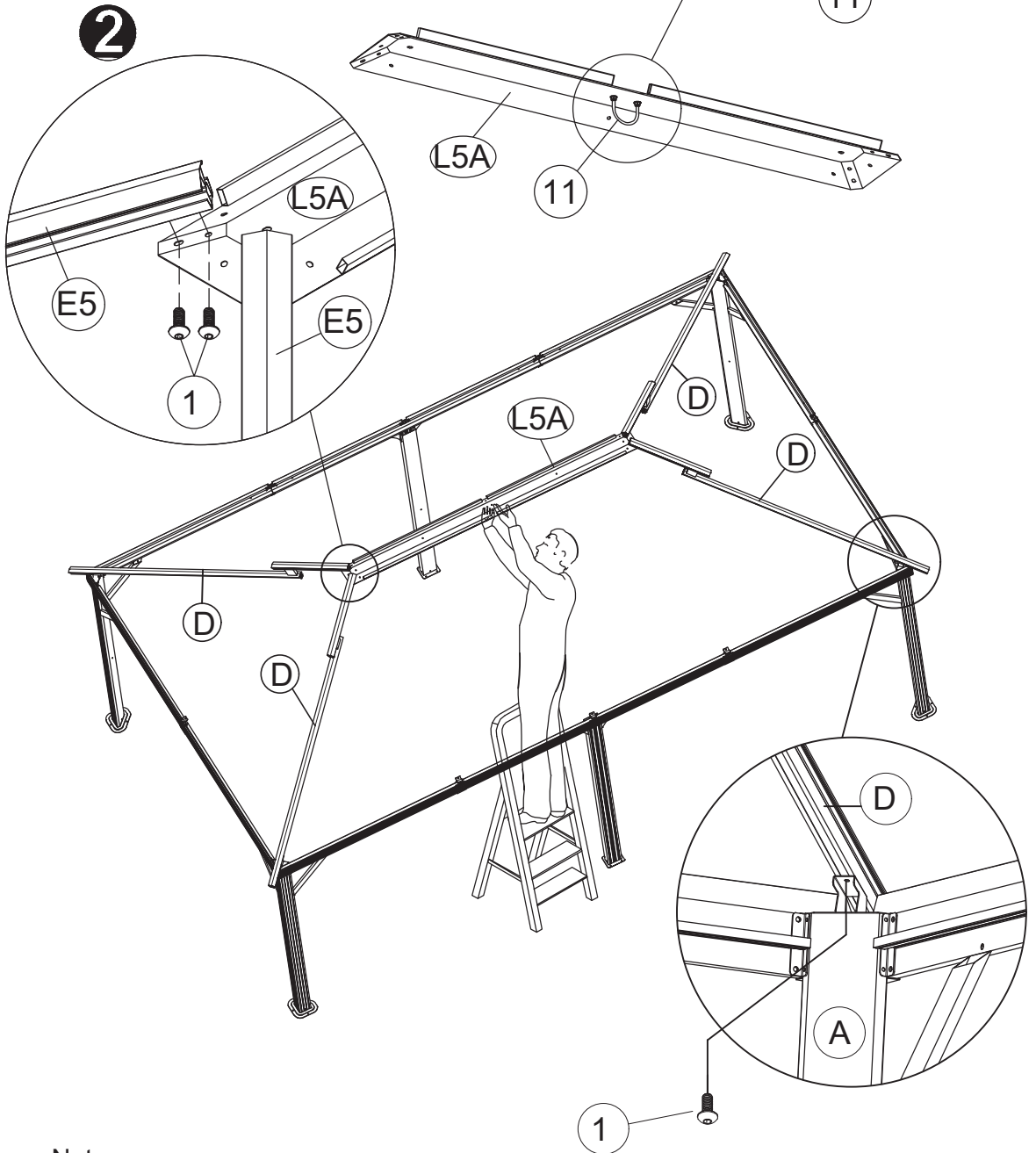


11 1x

<9>

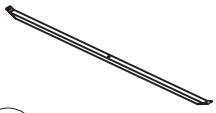


2



Note:

1. Let one person stand on the ladder to lift "L5A" and hold and let others fasten the screws connecting both ends of "E5" & "D".
2. Please do not let go of holding "L5A" until all the "E5" & "D" screws are installed.



F8 3x



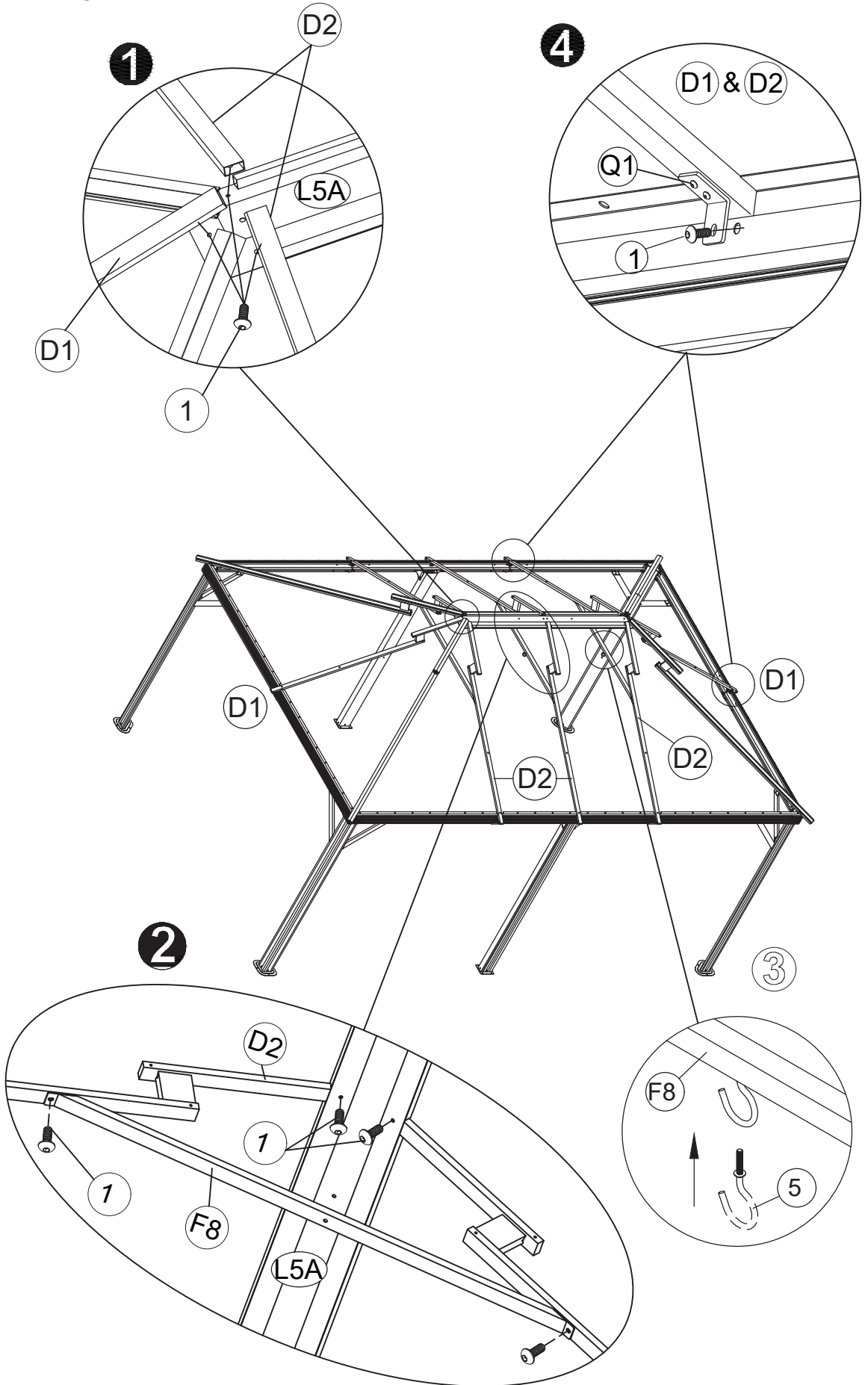
5 3x



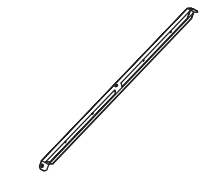
M6x15

1 22x

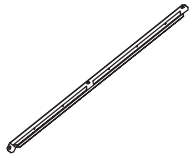
<10>



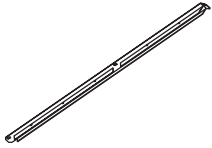
<11>



G1 2x



G7 2x



G8 2x



N 4x



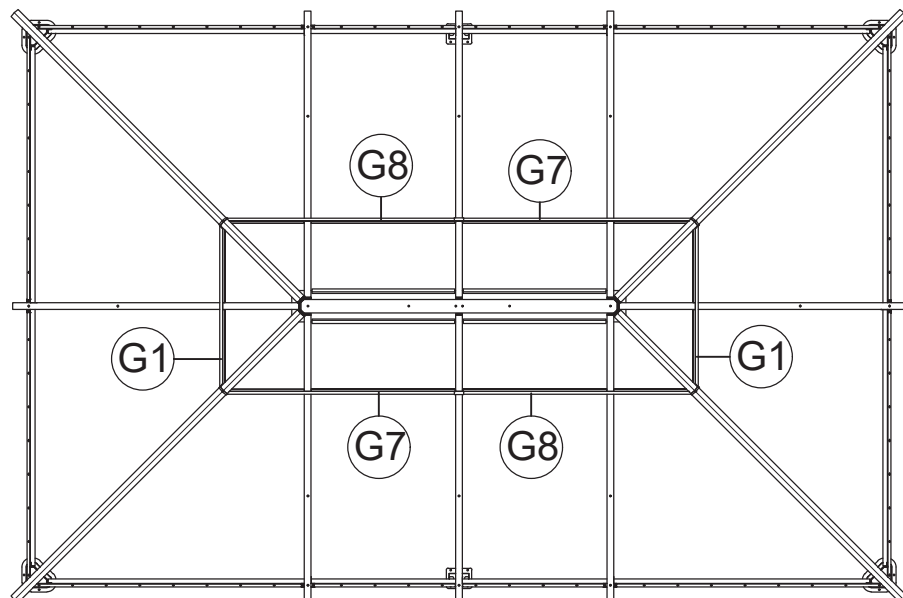
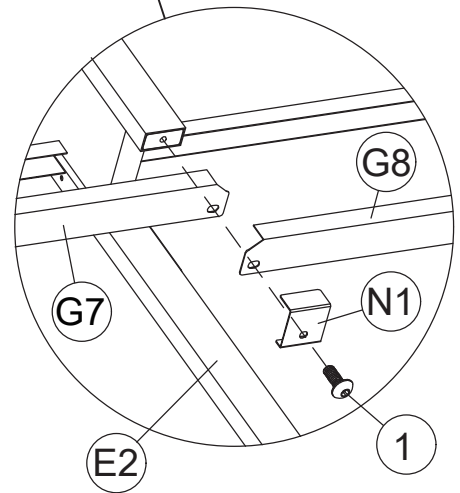
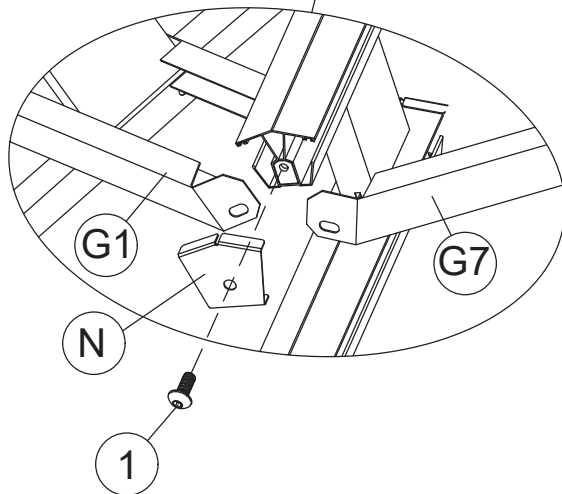
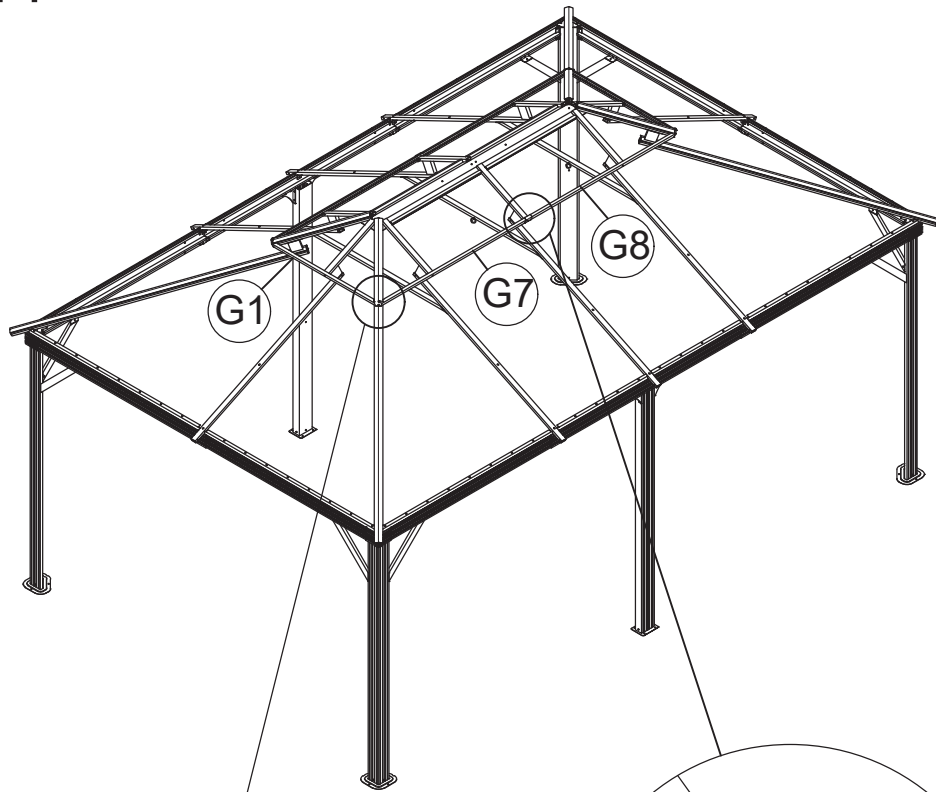
N1 2x



M6x15

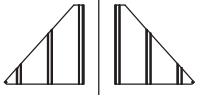
1 12x

16





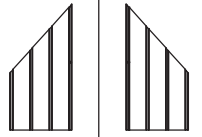
<12>



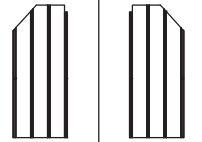
(S1) 2x (S2) 2x



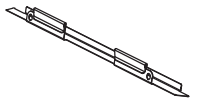
(X1) 2x (X2) 2x



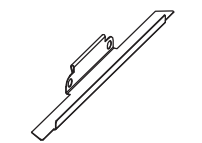
(X3) 2x (X4) 2x



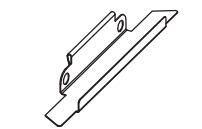
(X5) 2x (X6) 2x



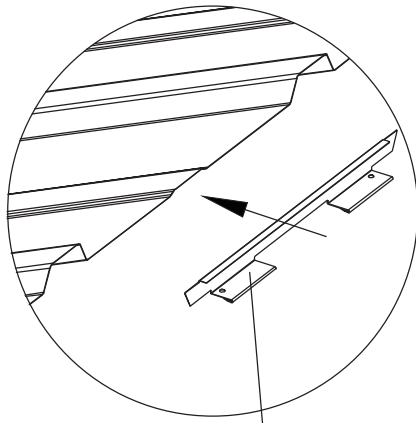
(Z) 32x



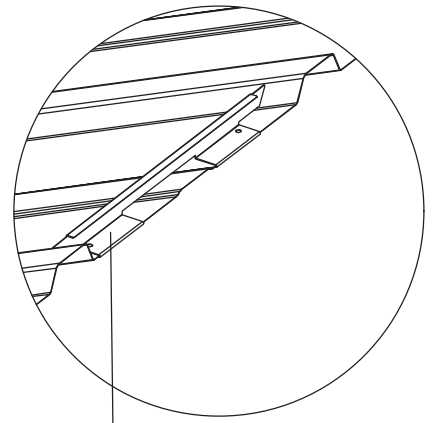
(Z1) 4x



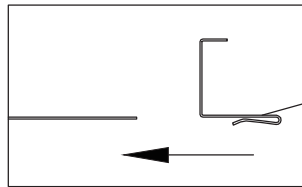
(Z2) 4x



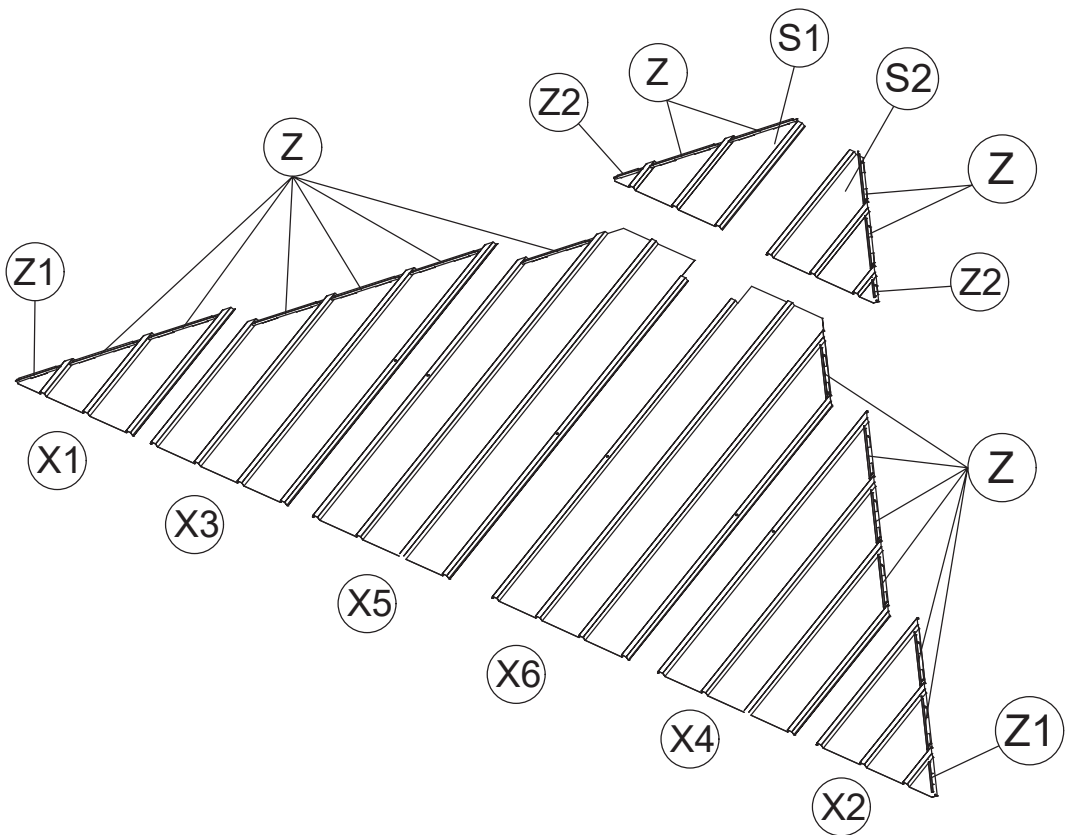
(Z) or (Z1) or (Z2)



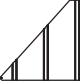


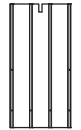

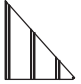






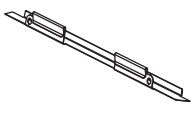
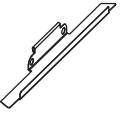
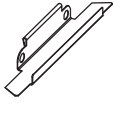
(Z) or (Z1) or (Z2)

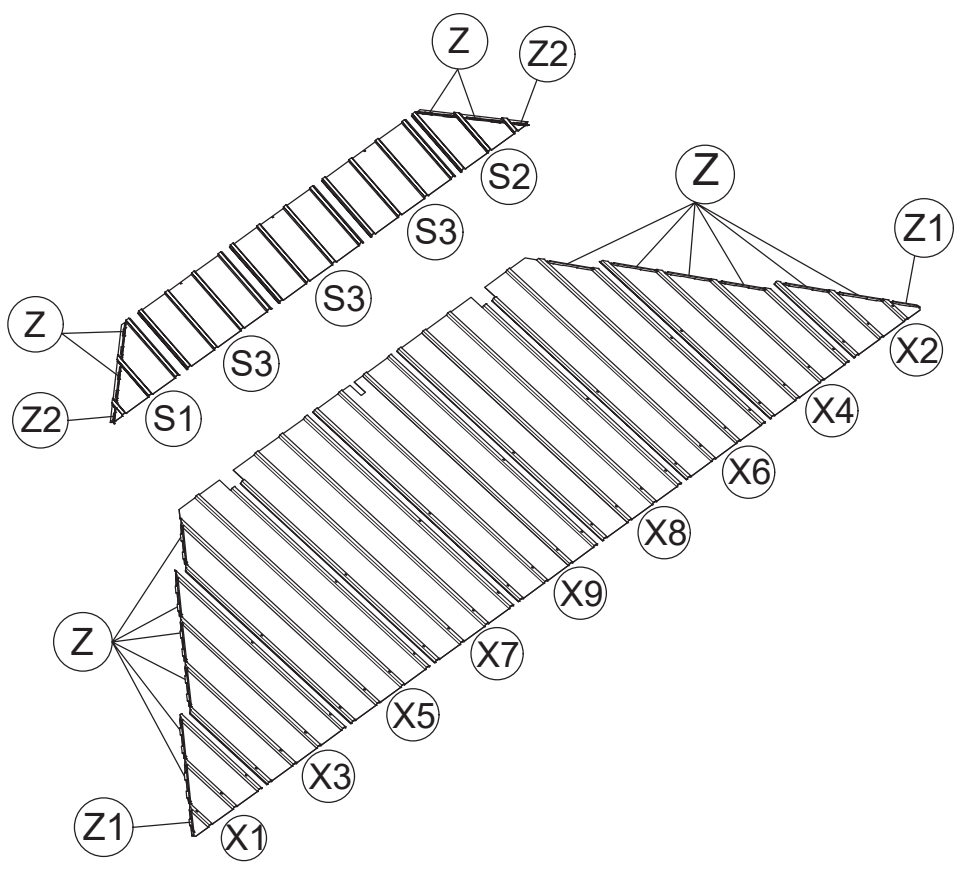
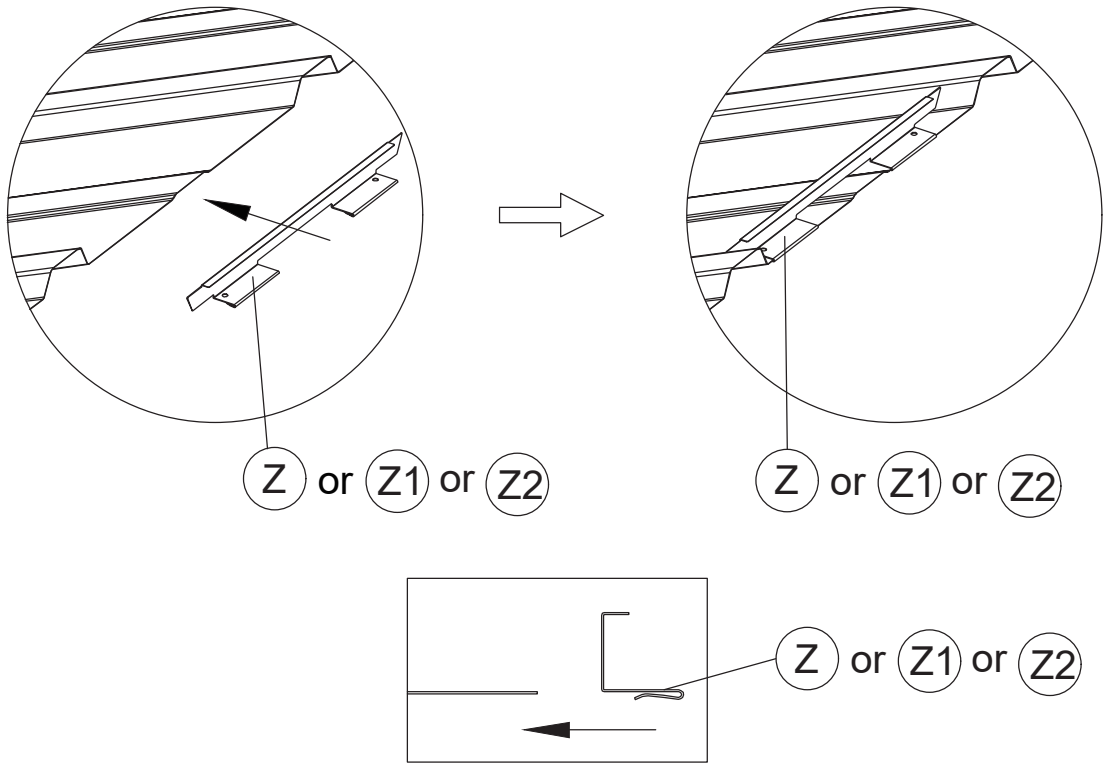


(Z) or (Z1) or (Z2)

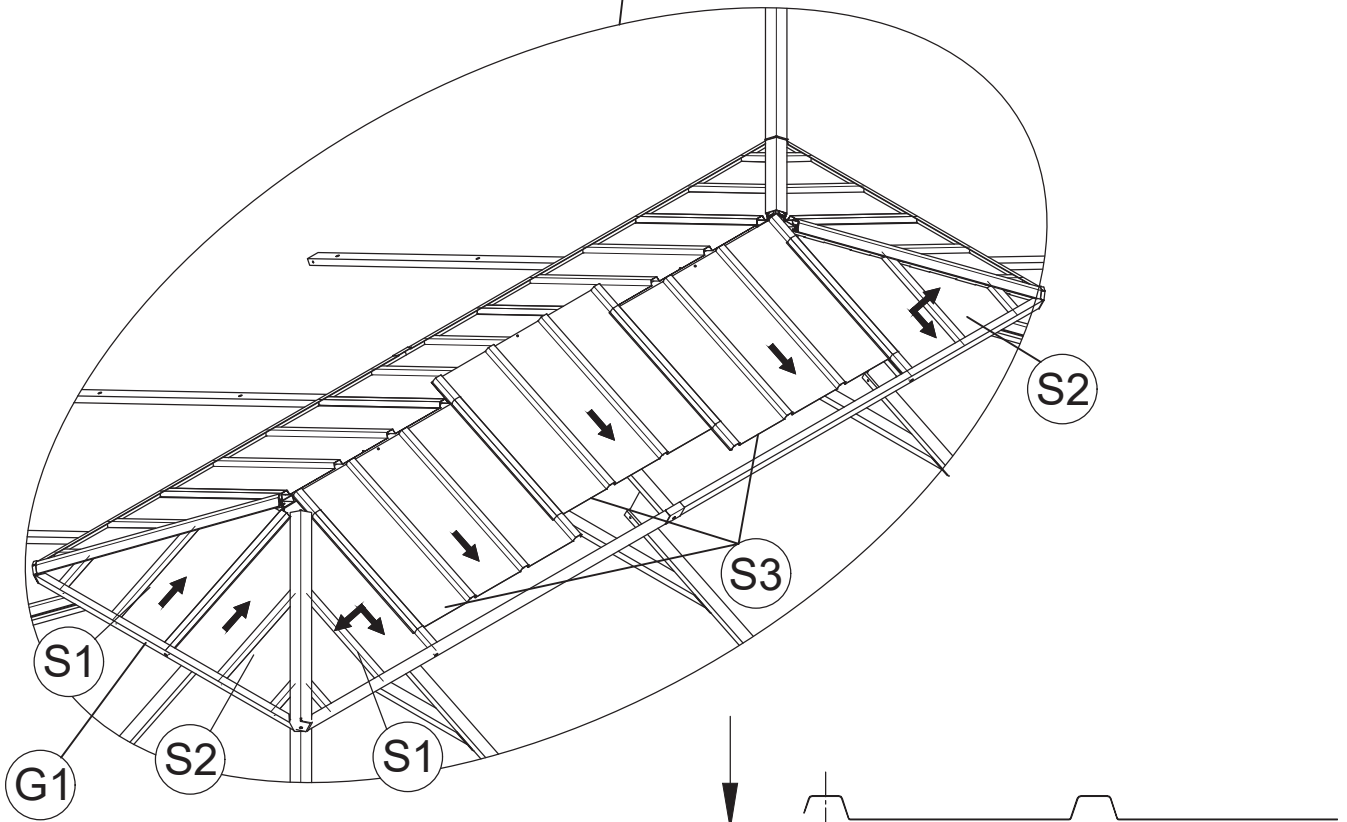
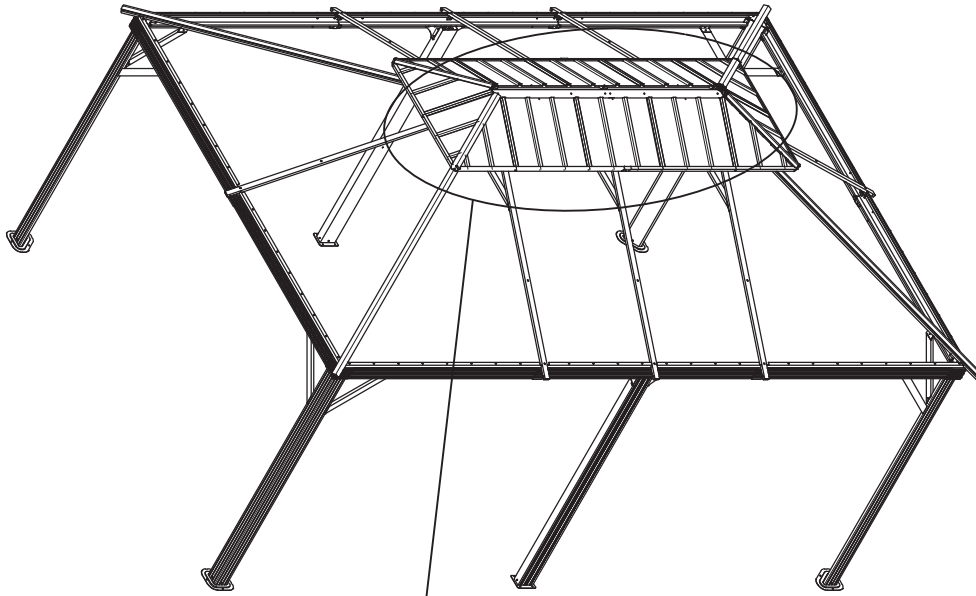


<13>

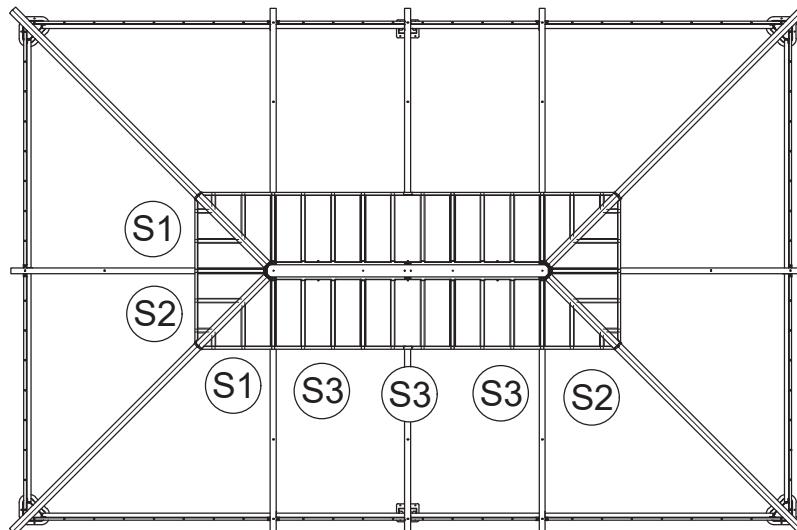
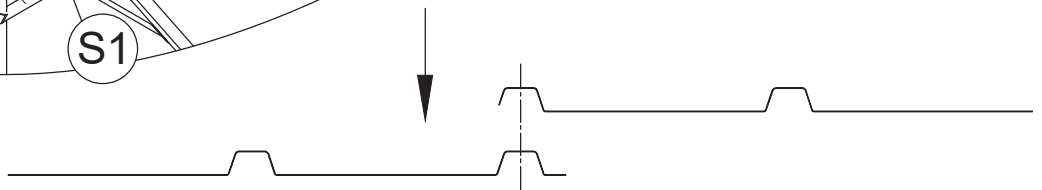
	
(S1) 2x	(S2) 2x
	
(S3) 6x	(X9) 2x
	
(X1) 2x	(X2) 2x
	
(X3) 2x	(X4) 2x
	
(X5) 2x	(X6) 2x
	
(X7) 2x	(X8) 2x
	
(Z) 32x	
	
(Z1) 4x	
	
(Z2) 4x	

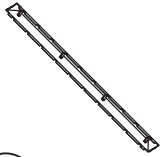


<14>



When installing the Roof plates (S2) onto short side, pls detach the right end of Roof Rib(G1) first. And then install the right end of Roof Rib (G1) again after S2 is installed.





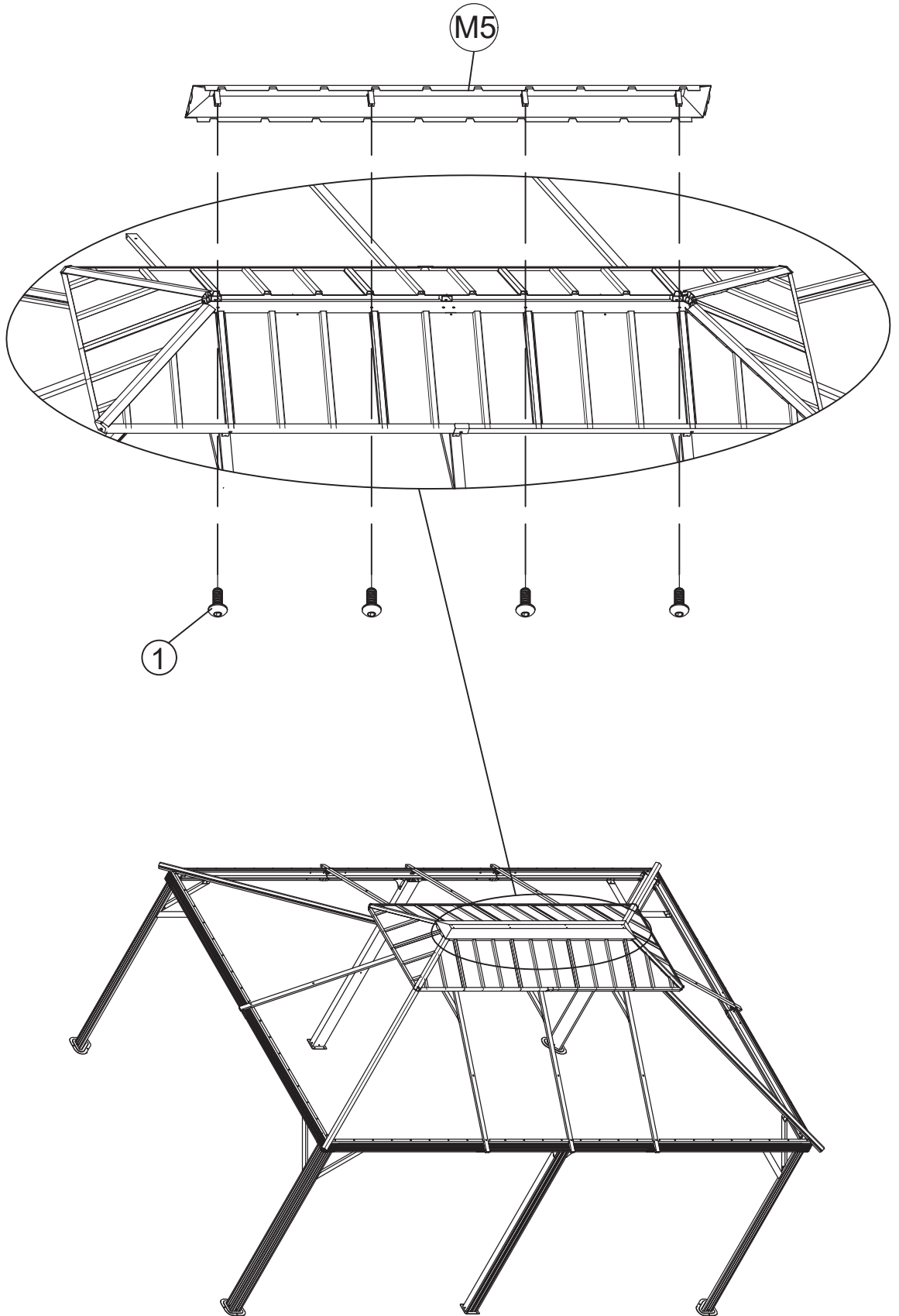
<15>

M5 1x



M6x15

① 4x



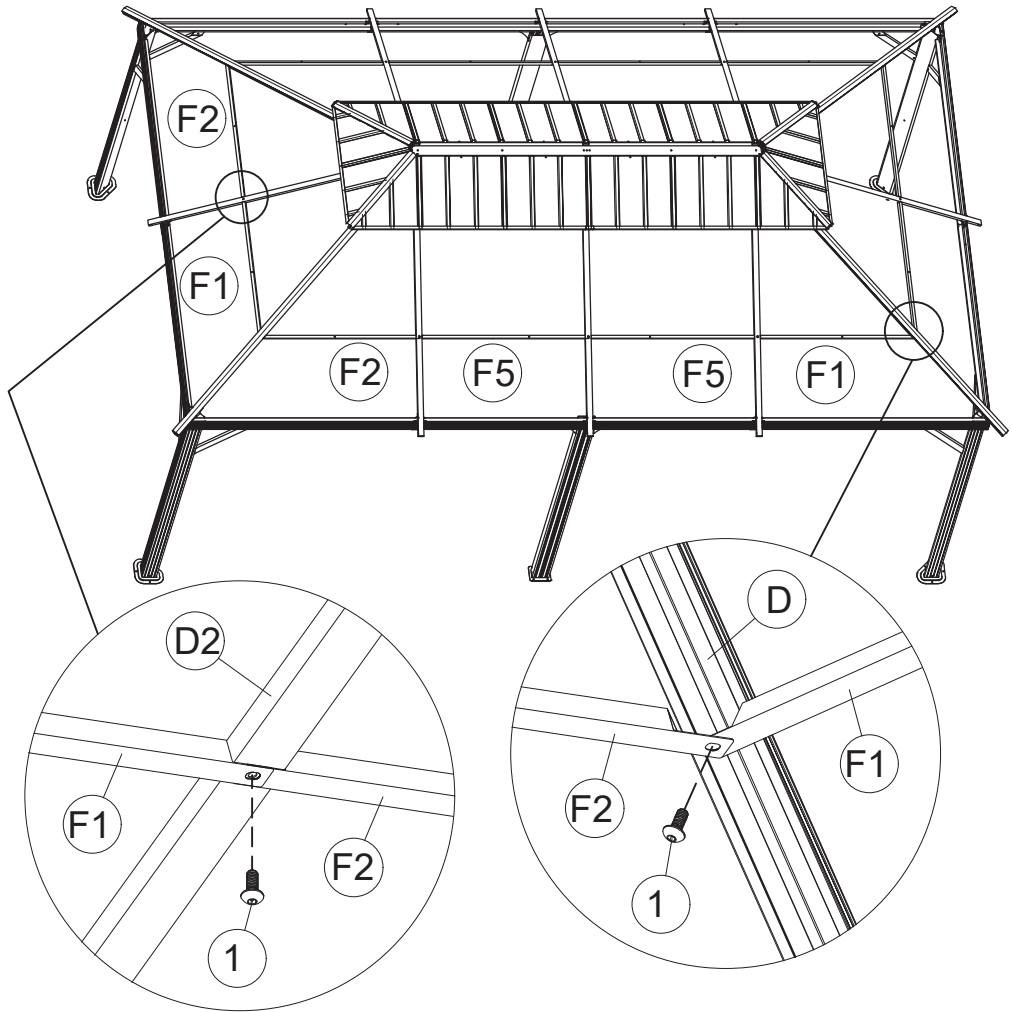
<16>

F1 4x

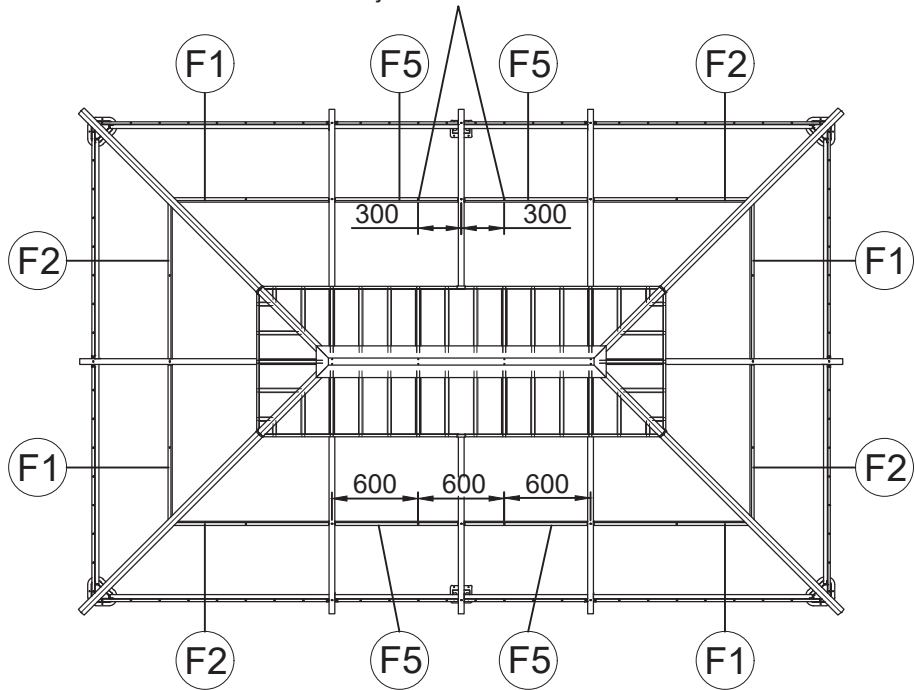
F2 4x

F5 4x

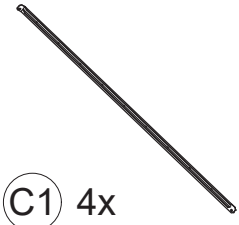
1 12x M6x15



The two offset holes should be near the middle ejector rod



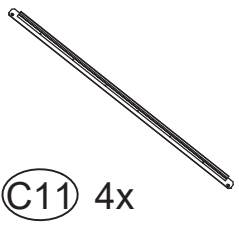
<17>



C1 4x



C2 4x



C11 4x



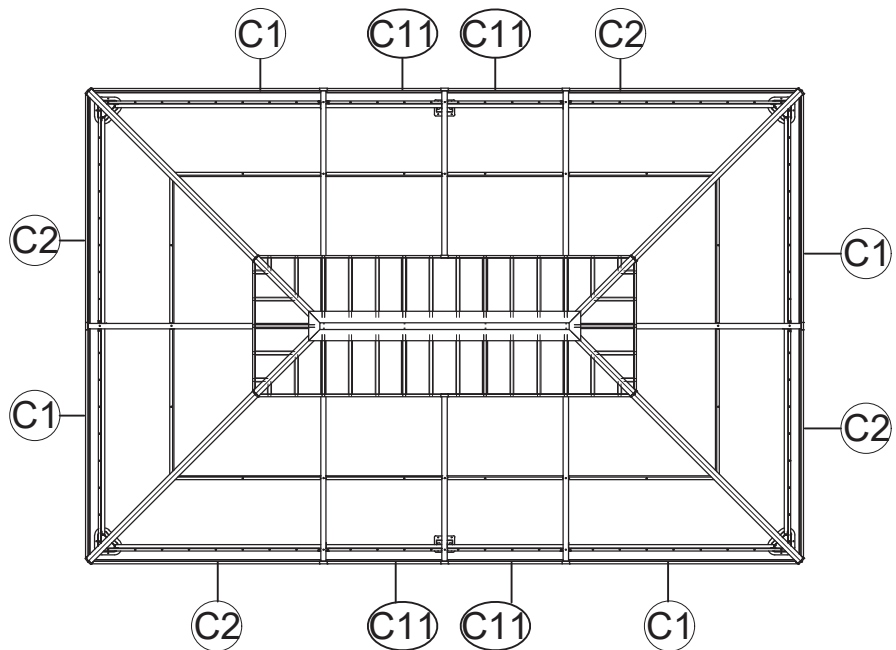
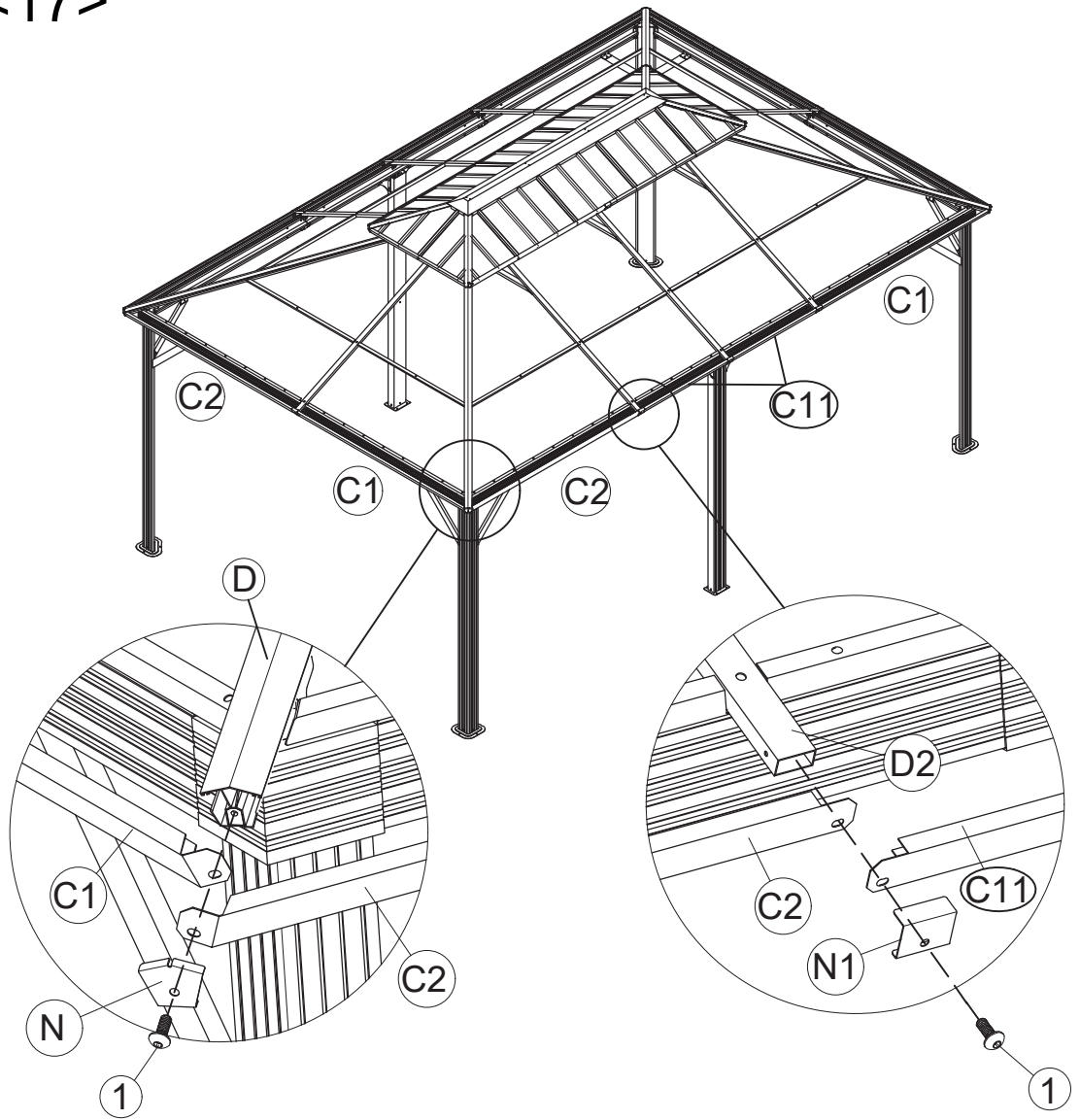
N 4x



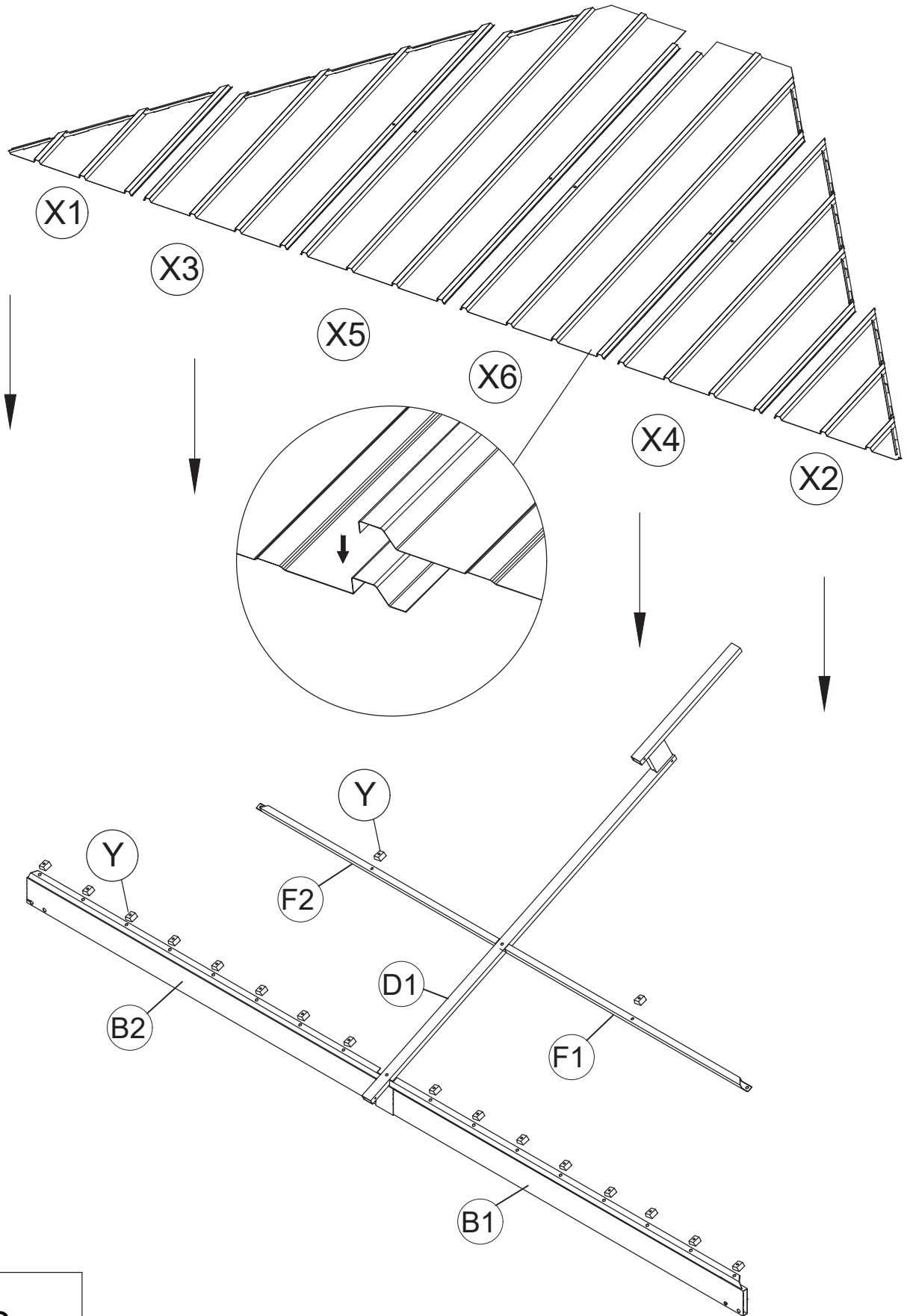
N1 8x



1 12x M6x15

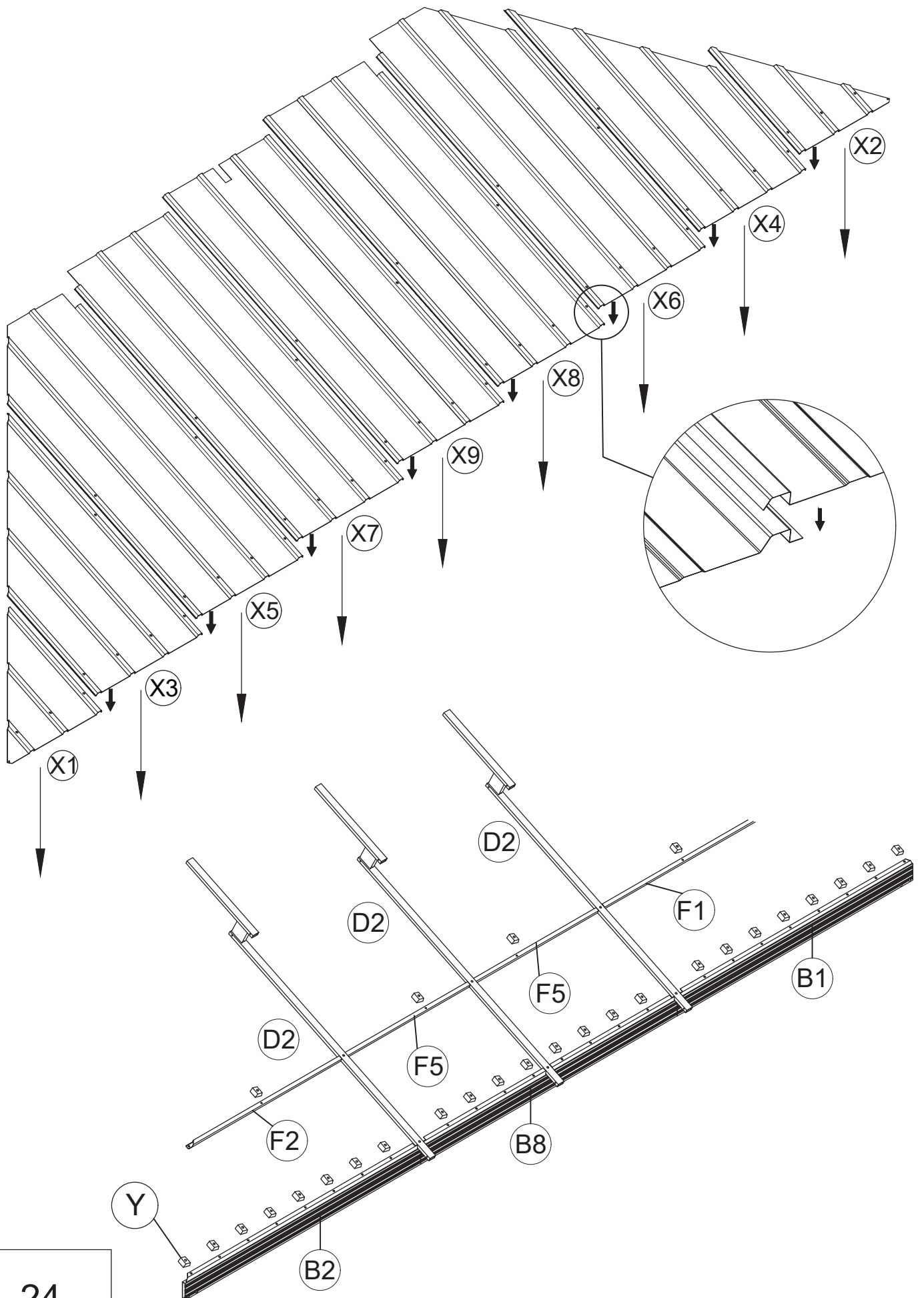


<18>



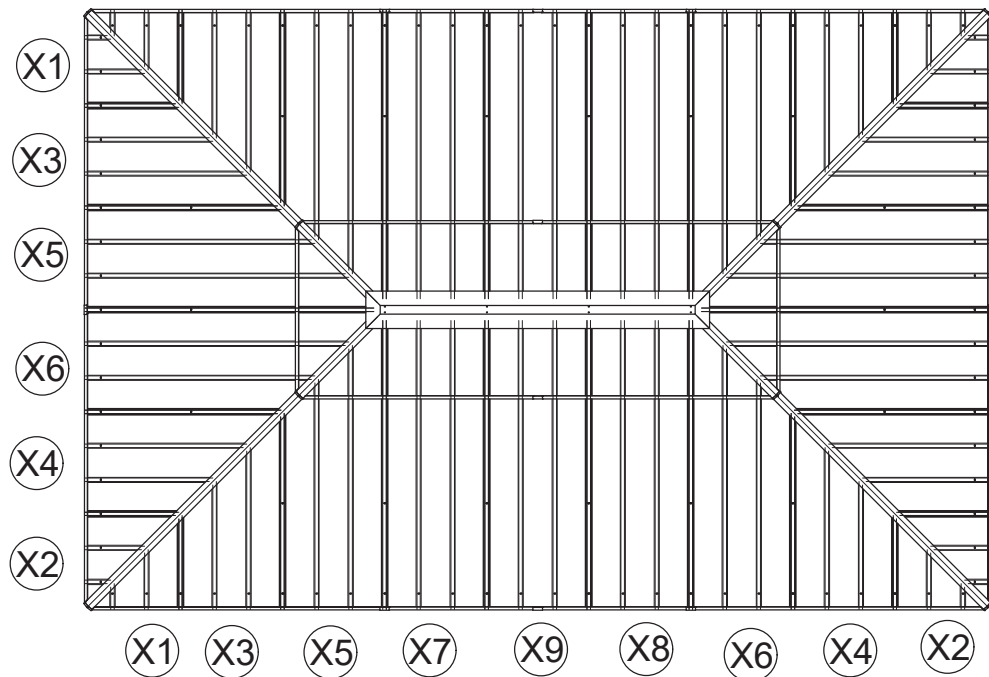
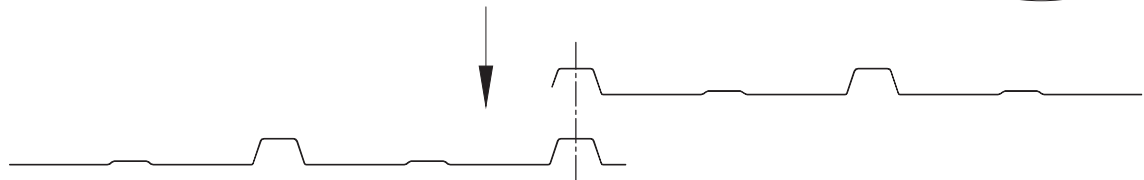
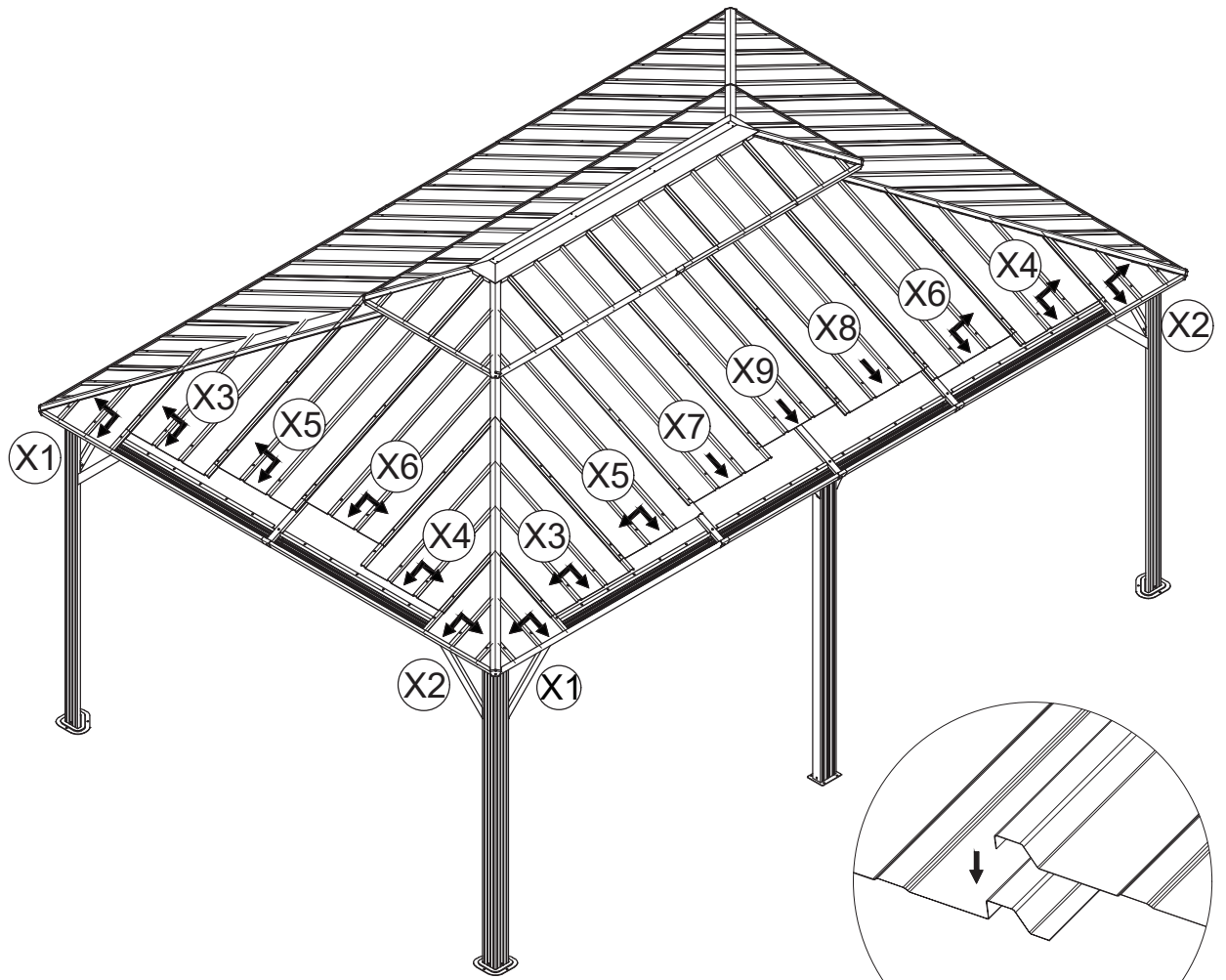


<19>





<20>





<21>

Y 92x



M6x25

3 12x



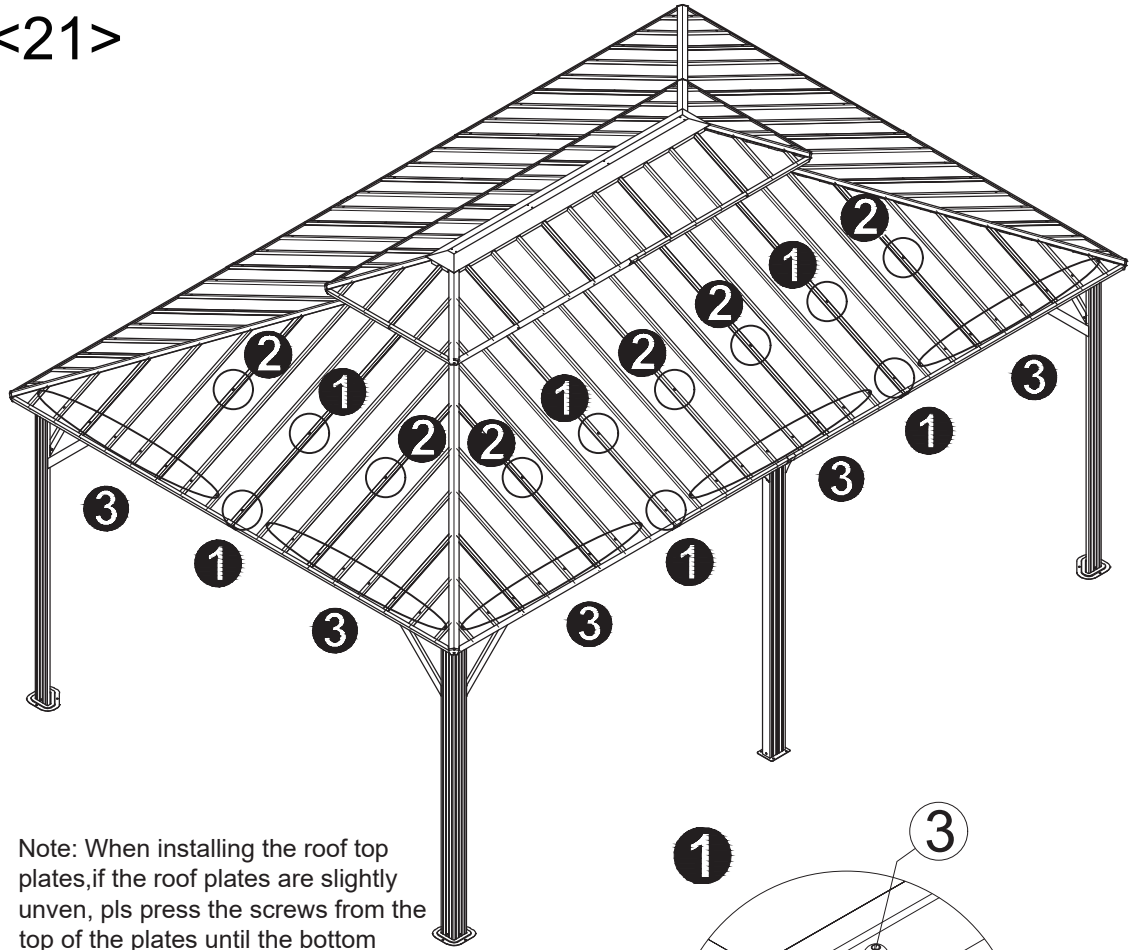
M6x23

2 80x

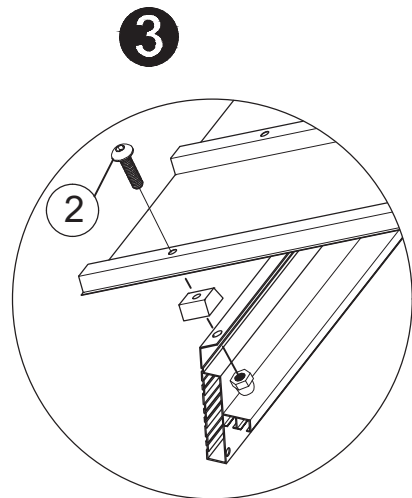
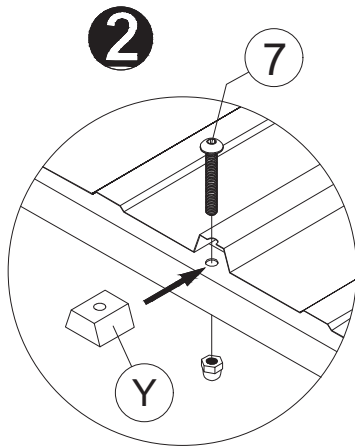
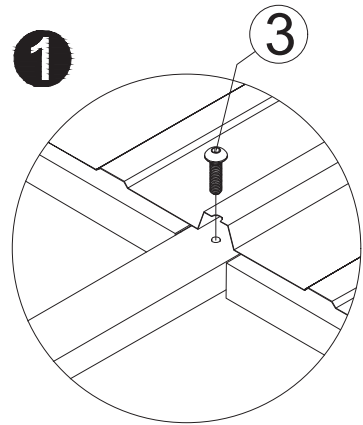


M6x45

7 12x

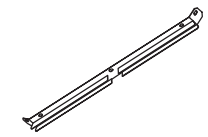


Note: When installing the roof top plates, if the roof plates are slightly uneven, pls press the screws from the top of the plates until the bottom screw thread is exposed by 3 to 4mm, and then screw on the nut.

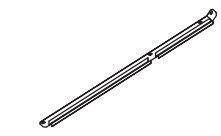


<22>

1



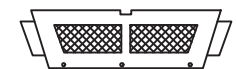
I1 2x



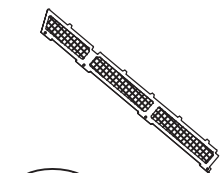
I7 2x



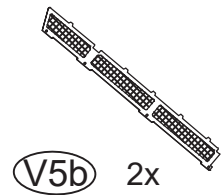
I8 2x



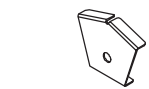
V1 2x



V5a 2x



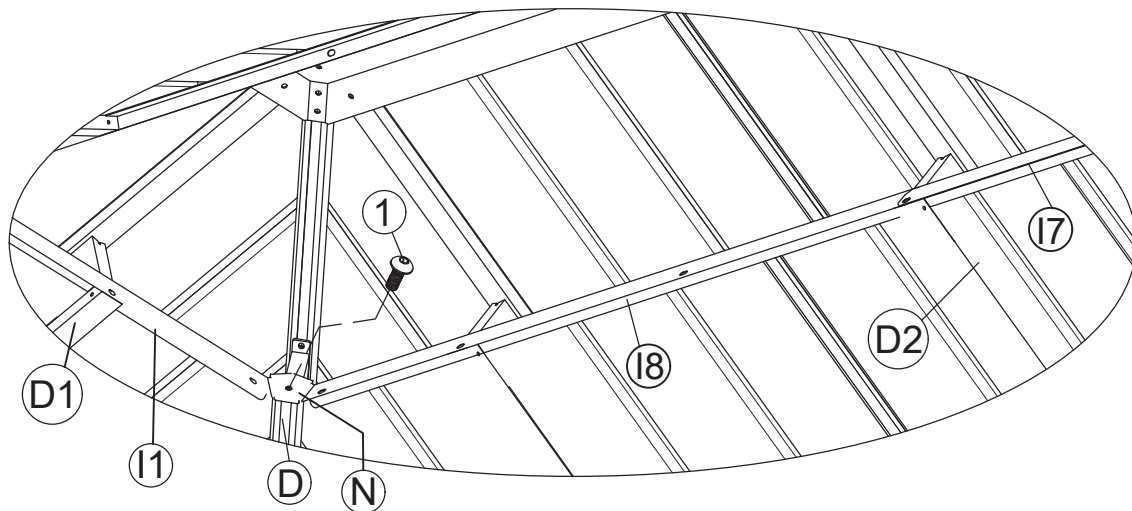
V5b 2x



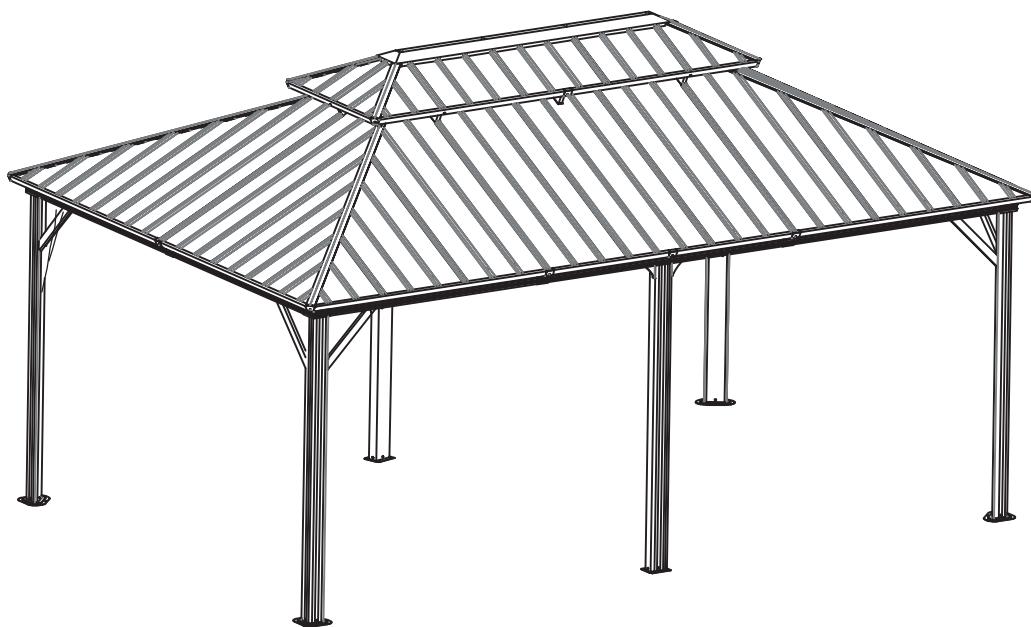
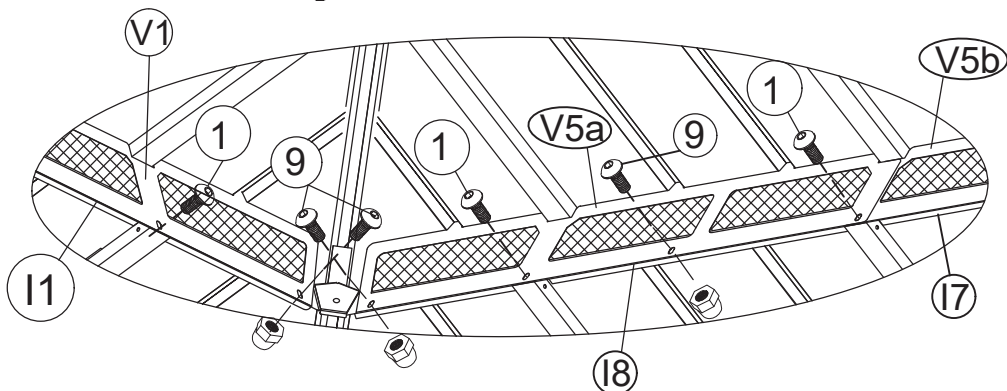
N 4x



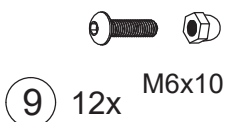
1 12x M6x15



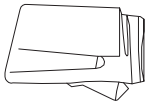
2



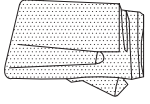
27



9 12x M6x10



T 4x + 2x



T1 4x + 2x

<23>

