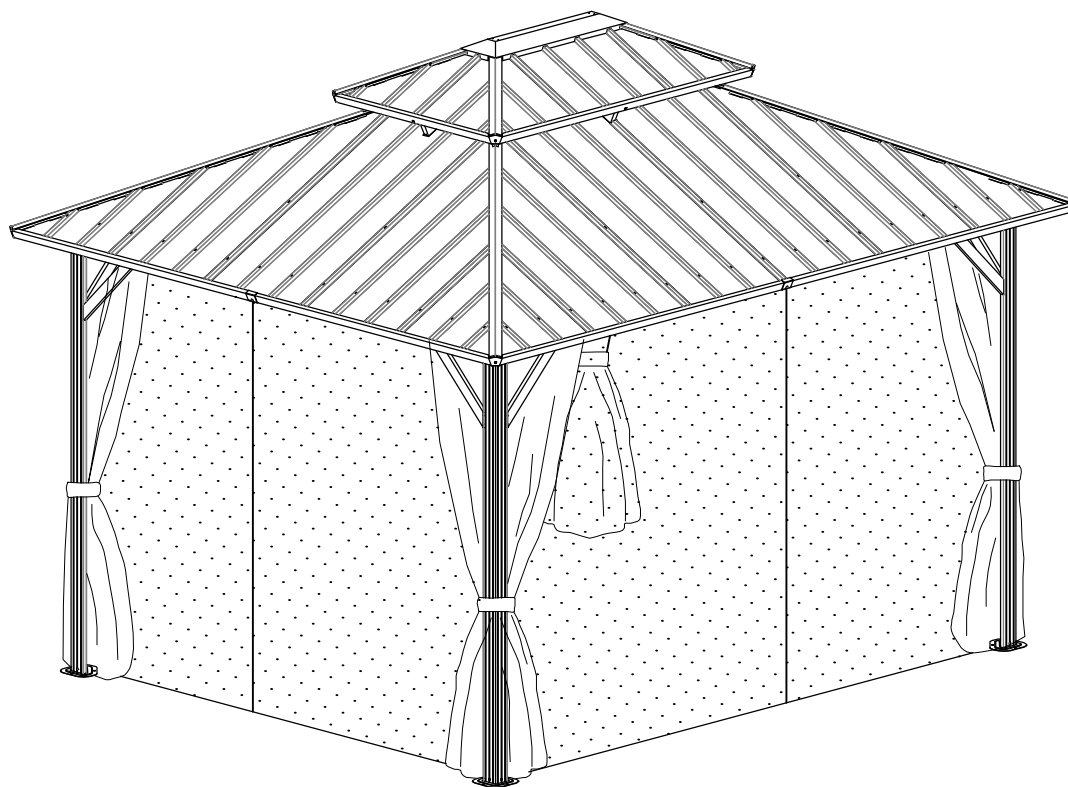


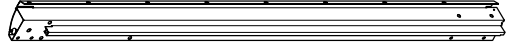
10 x 12FT

WQG-028

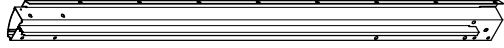




A3 4x



W1 2x



W2 2x



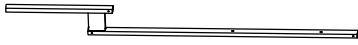
W3 2x



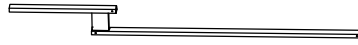
W4 2x



D3 4x



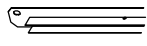
D4 2x



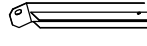
D5 2x



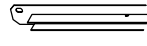
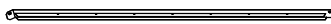
E5 4x



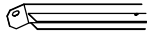
C7 2x



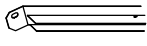
C8 2x



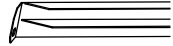
C9 2x



C10 2x



G1 2x



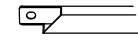
G9 2x



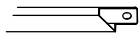
I1 2x



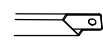
I9 2x



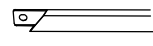
F6 2x



F7 2x

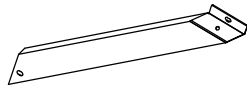


F9 2x

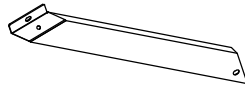


F10 2x

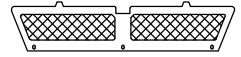




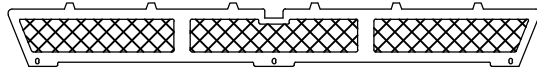
H 4x



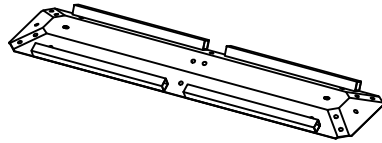
H1 4x



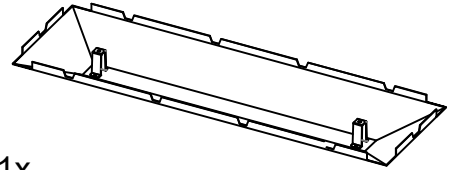
V1 2x



V6 2x



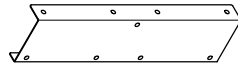
L6 1x



M2 1x



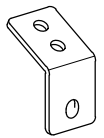
J 4x



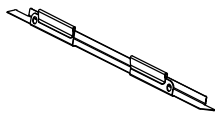
P 4x



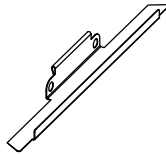
V 4x



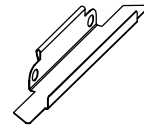
Q2 4x



Z 56x



Z1 8x



Z2 8x



Y 68x



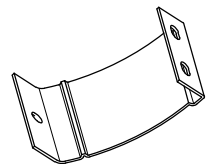
U1 104x



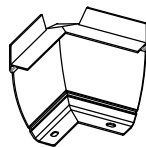
N 12x



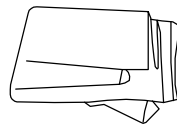
N1 4x



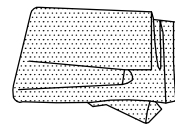
K1 4x



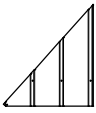
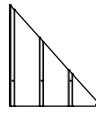
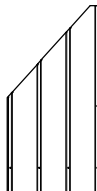
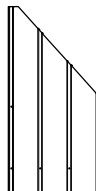
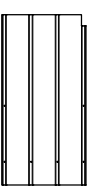
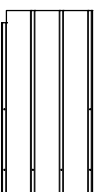
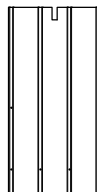

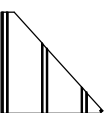
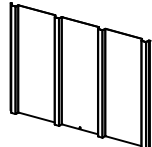







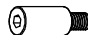


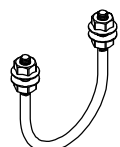


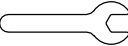
K2 4x



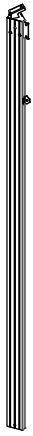
T 4x



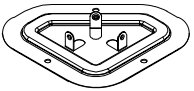
T1 4x

| | | | |
|--|--|---|---|
|  O1 4x |  O2 4x |  O3 4x |  O4 4x |
|  O5 2x |  O6 2x |  O7 2x |  S1 4x |
|  S2 4x |  S3 2x | | |
|  M6x15 1 144x |  M6x23 2 60x |  M6x25 3 4x |  ST 4.8x12 4 16x |
|  5 2x |  M5x12 6 4x |  M6x45 7 8x |  8 16x |
|  M6x10 9 8x |  10 12x |  11 1x |  4mm 12 2x |
|  6mm 13 1x |  14 1x | | |

<1>



A3 4x

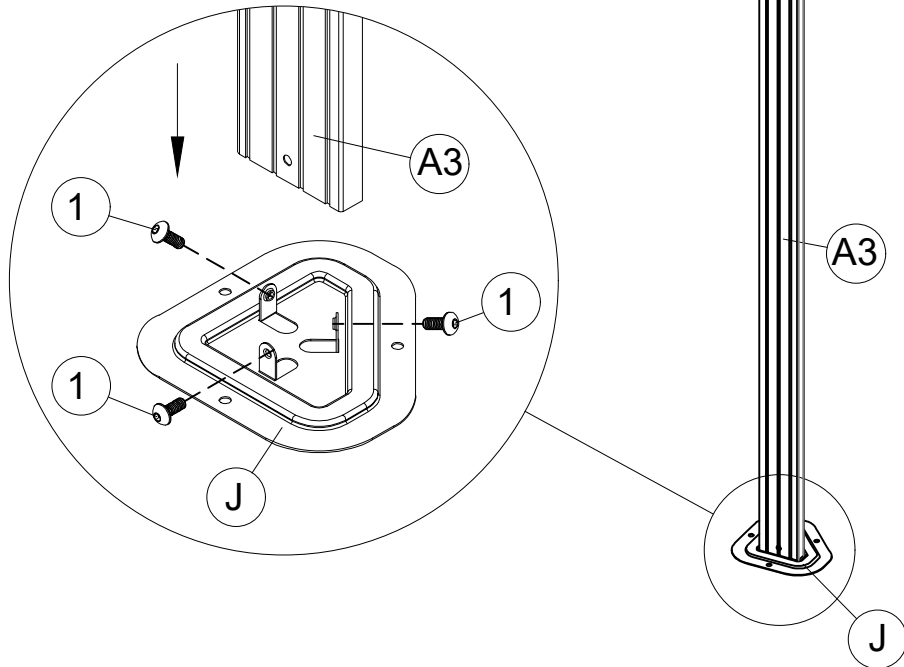


J 4x

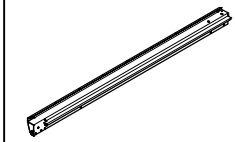


M6x15

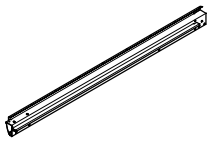
1 12x



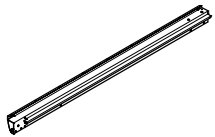
<2>



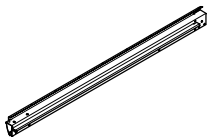
W1 2x



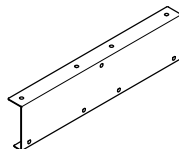
W2 2x



W3 2x



W4 2x

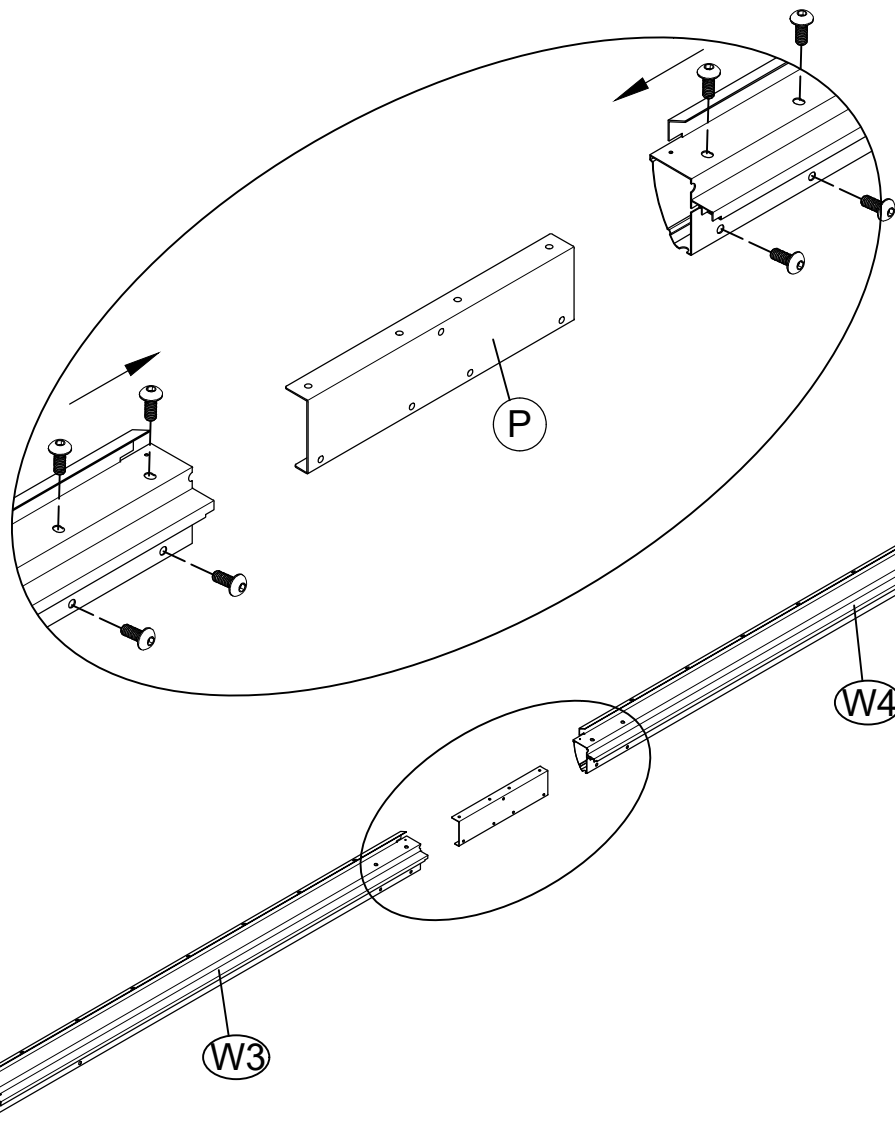
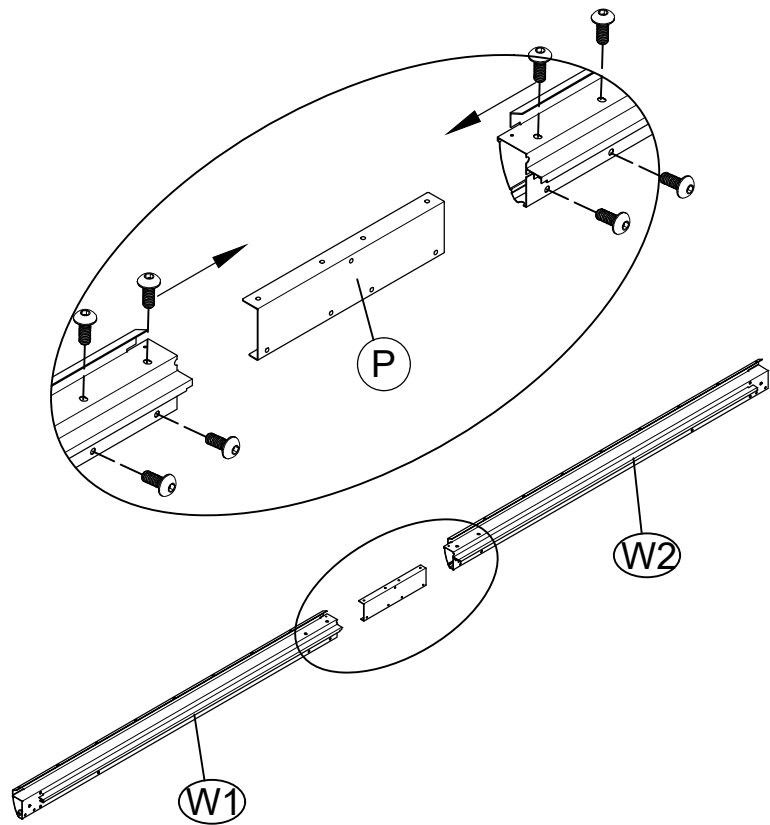


P 4x



M6x15

1 32x



6

<3>

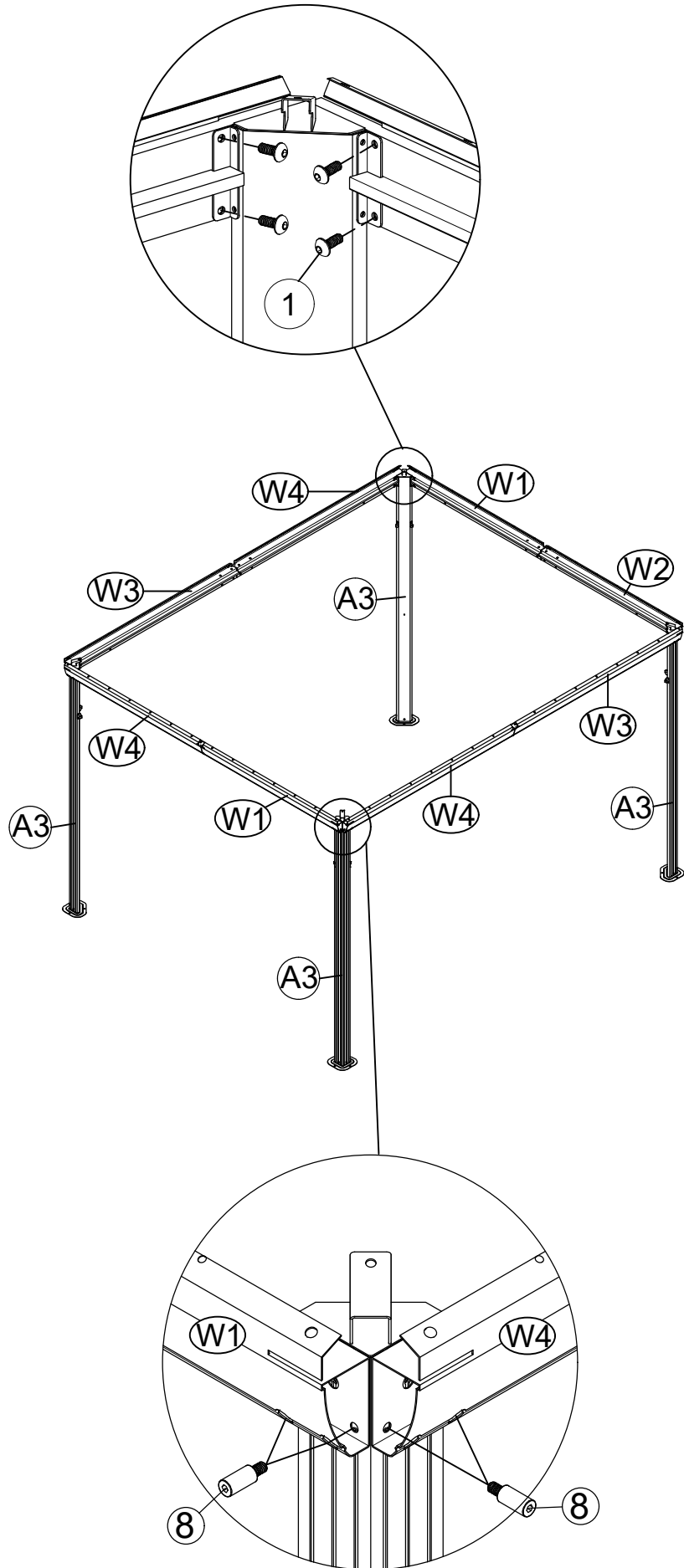


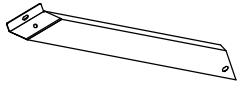
8 16x



M6x15

1 16x





H1 4x



H 4x



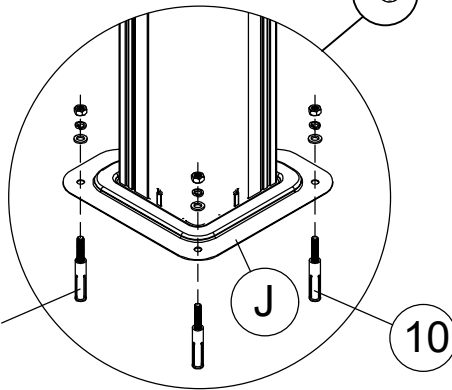
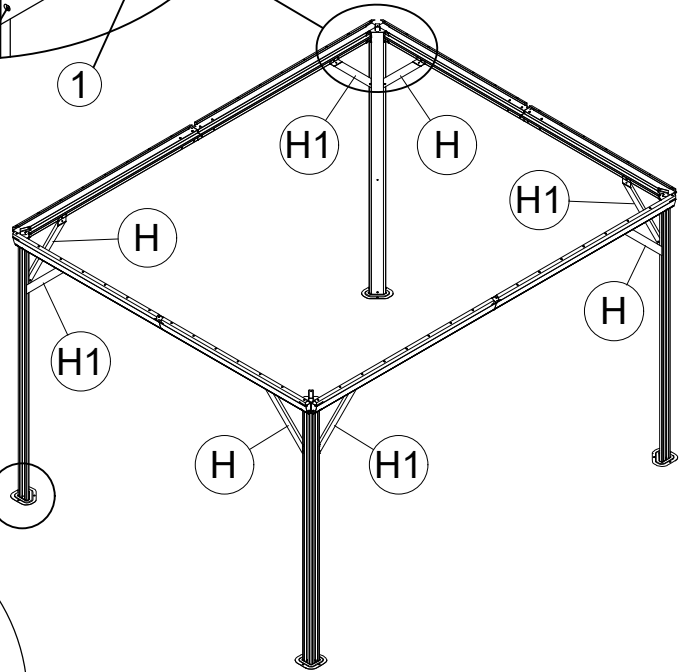
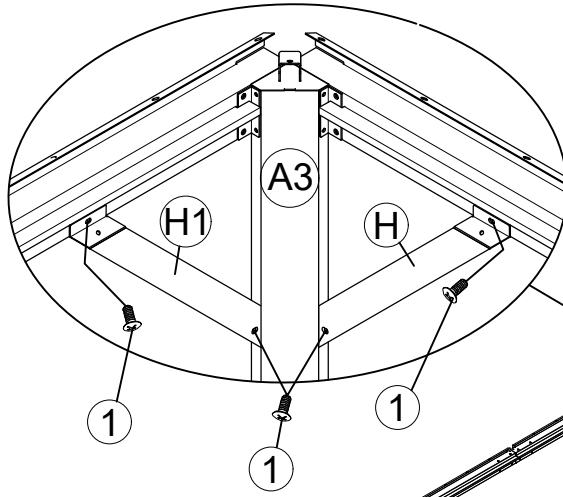
M6x15

1 16x

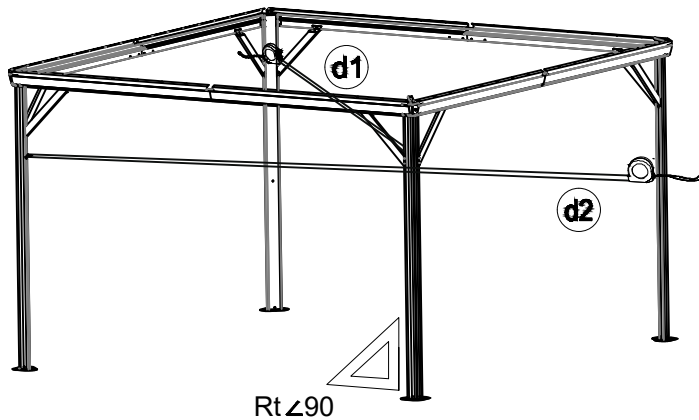


10 12x

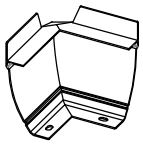
<4>



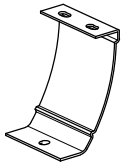
i d1=d2



Tips: Please measure to make sure the length of d1 is equal to d2 before moving to next step to ensure a square frame and best results. Keep the beam at right angles to the post, the post at right angles to the ground, and keep the beam horizontal.



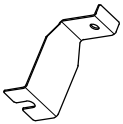
K2 4x



K1 4x



U1 104x



V 4x



M5x12

6 4

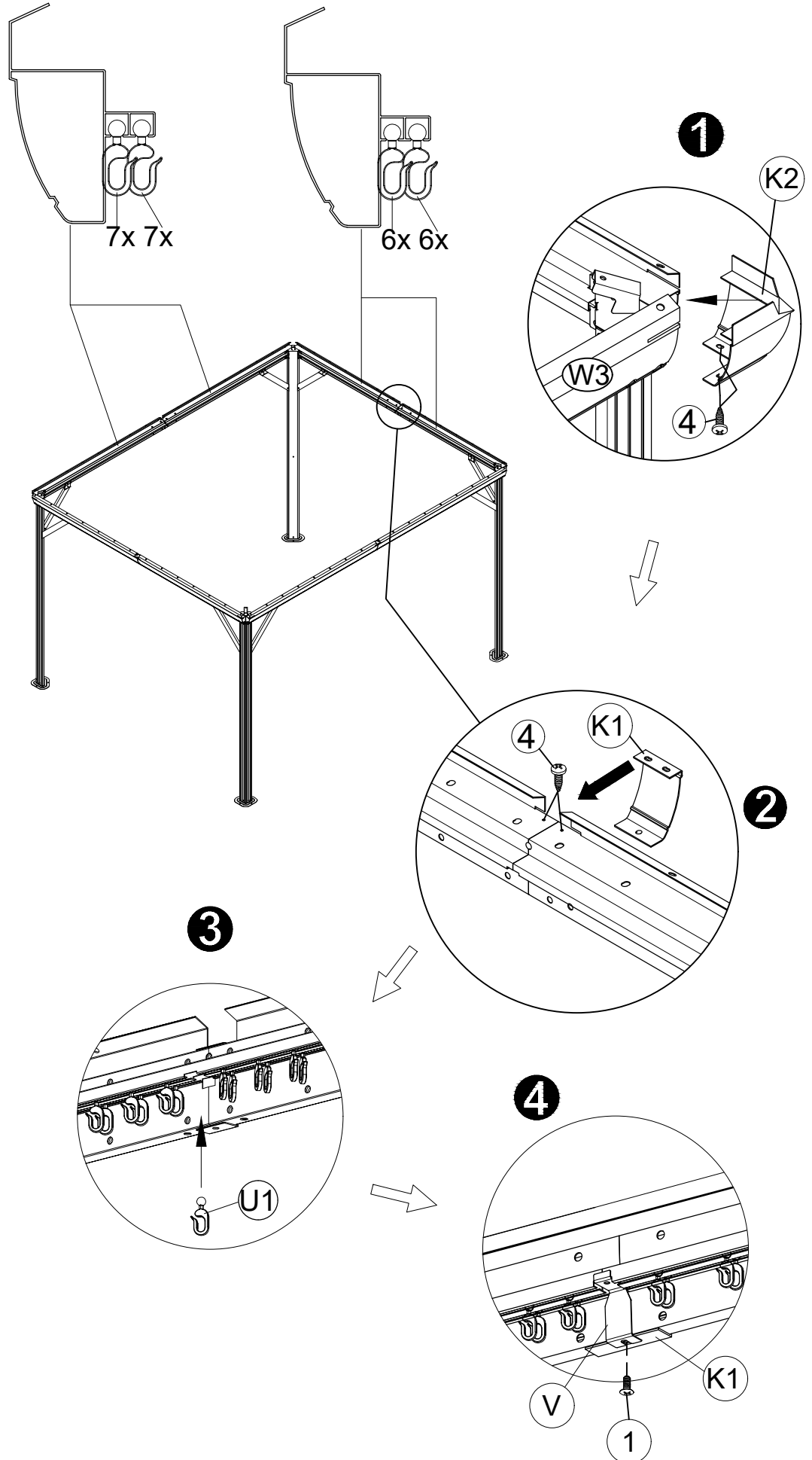


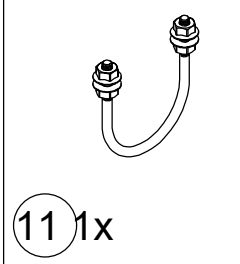
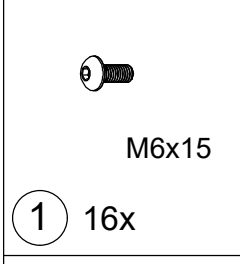
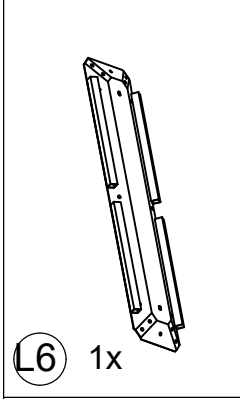
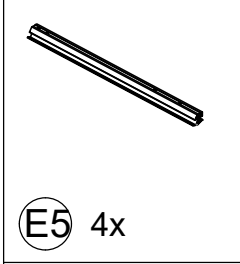
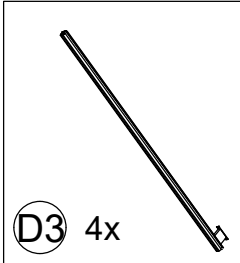
ST4.8x12

4 16x

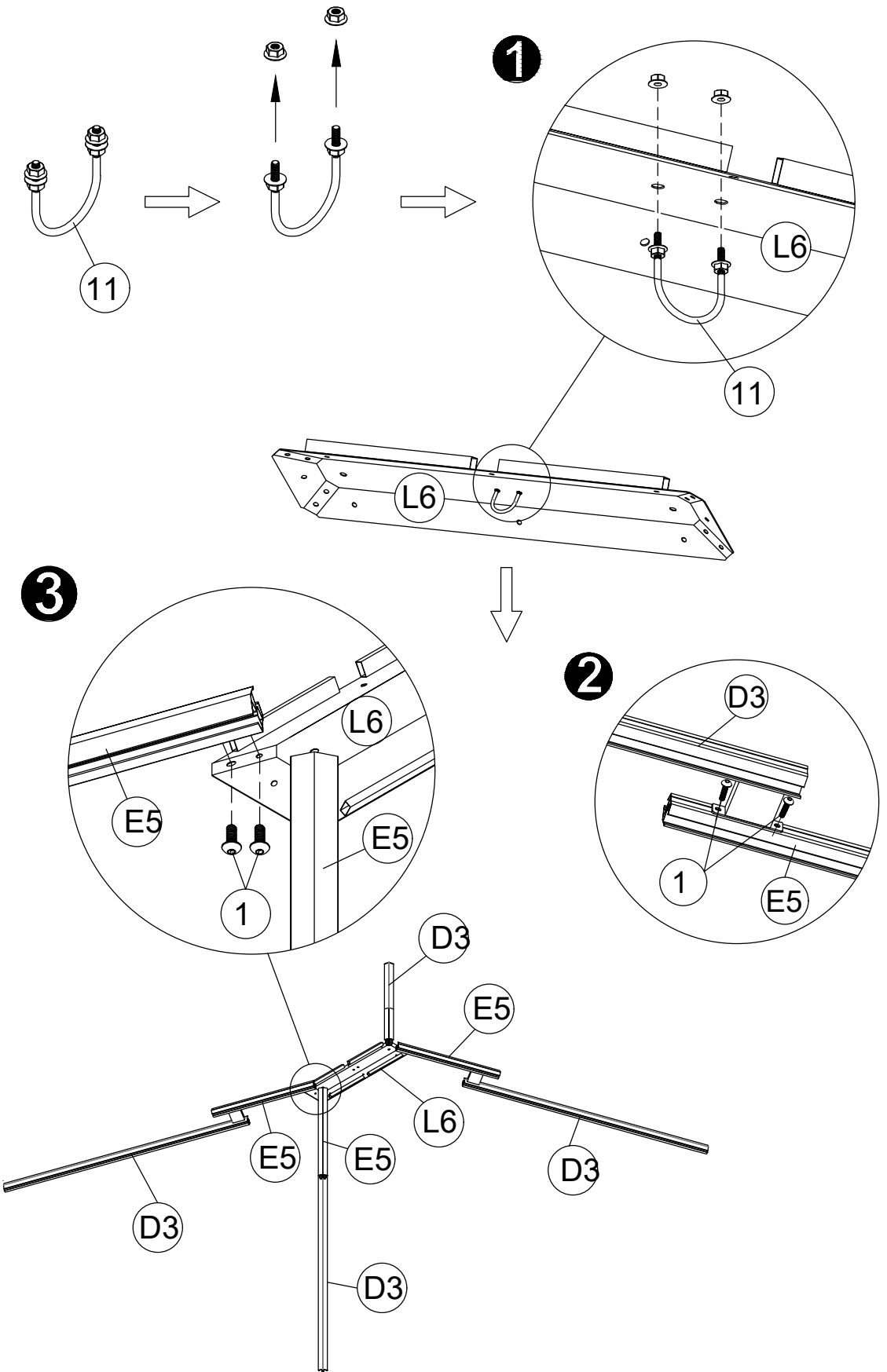
9

<5>





<6>

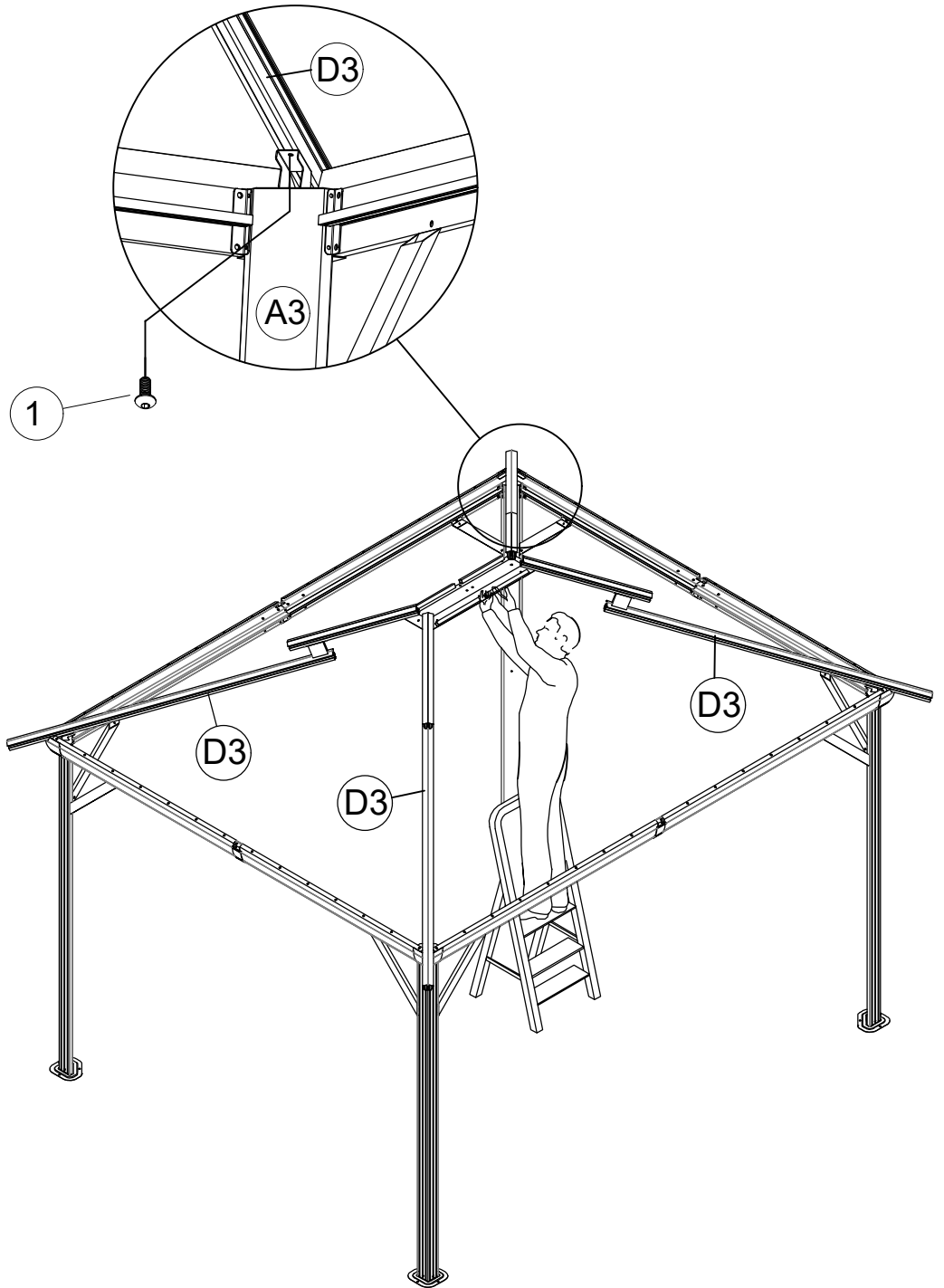




<7>

1

M6x15
4x



Note:

1. Let one person stand on the ladder to lift "L6" and hold and let others fasten the screws connecting both ends of "D3".
2. Please do not let go of holding "L6" until all the "D3" screws are installed.

<8>

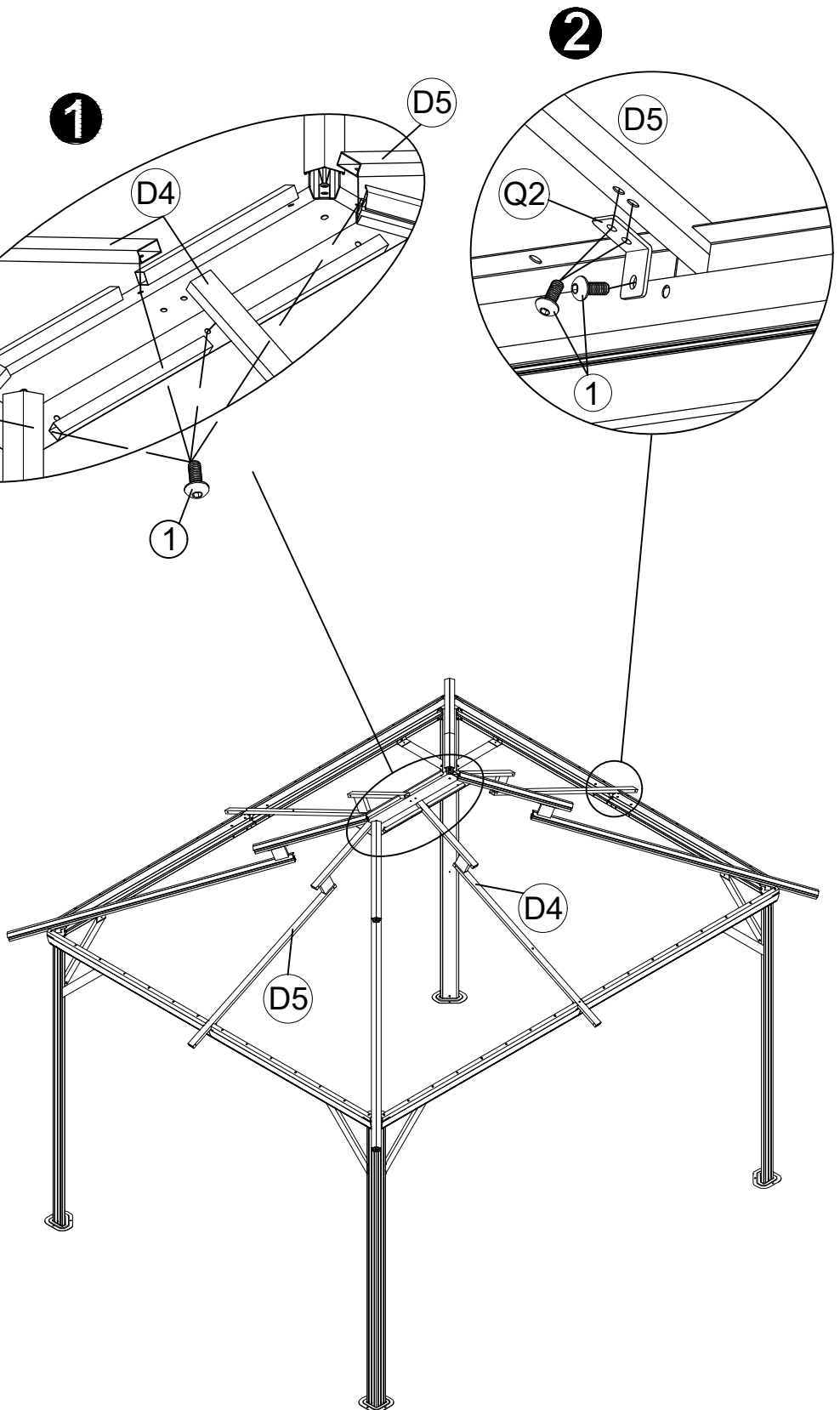
D4 2x

D5 2x

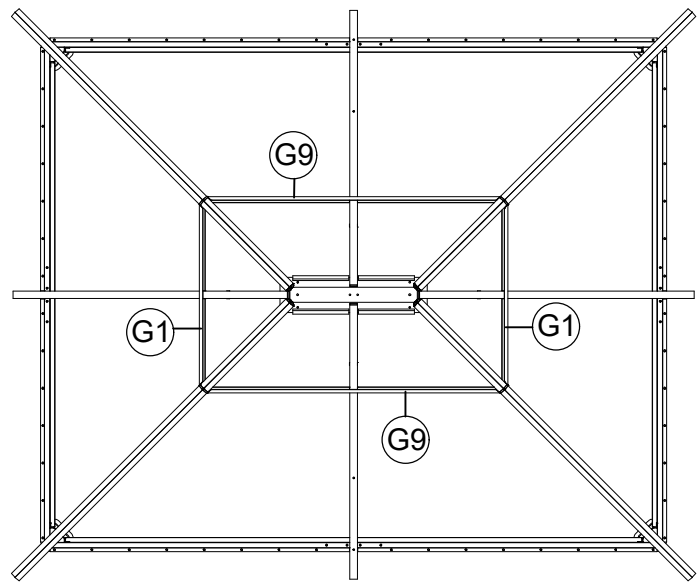
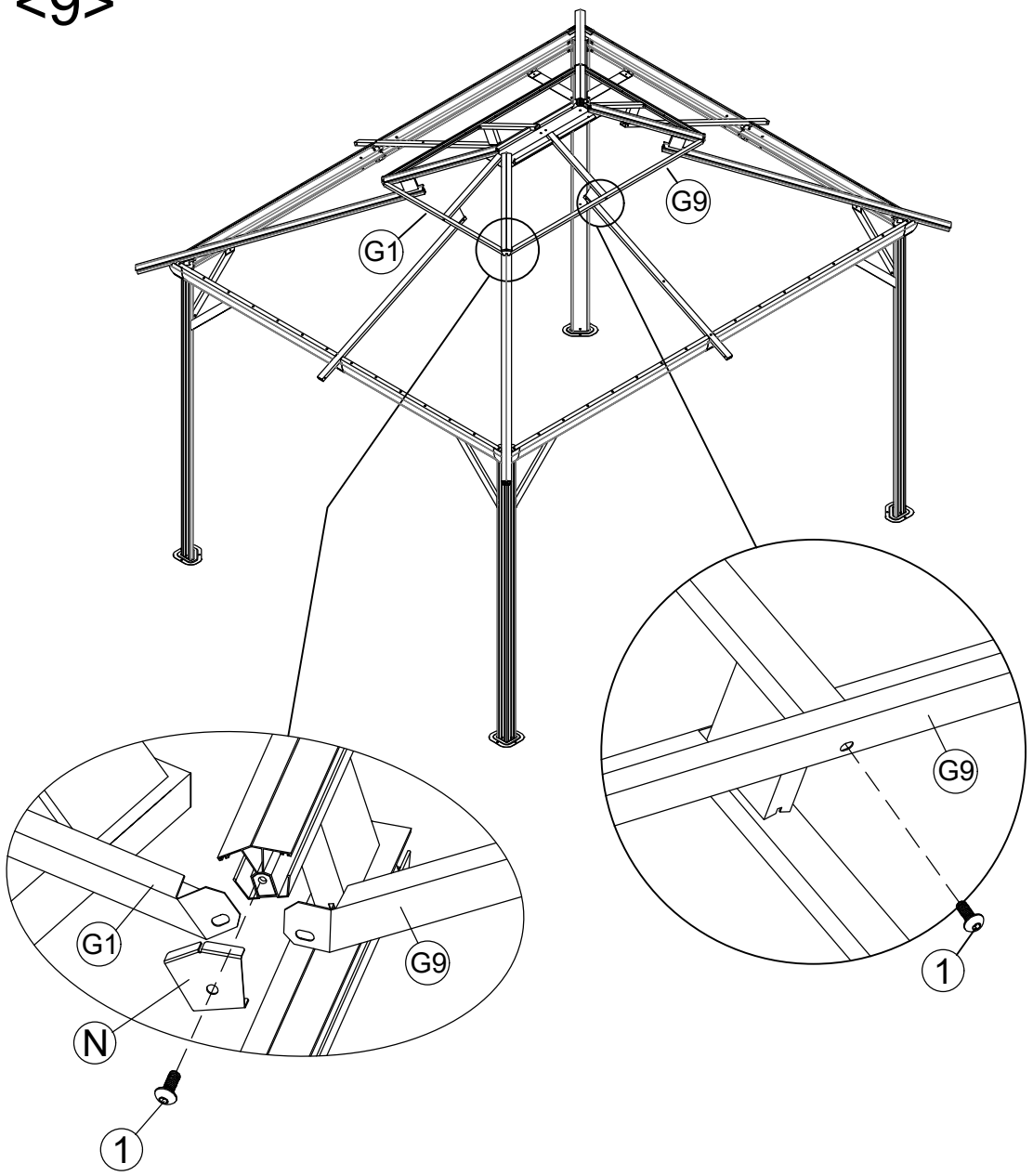
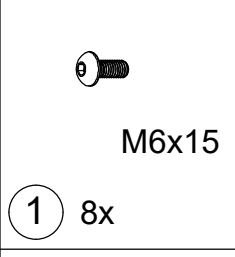
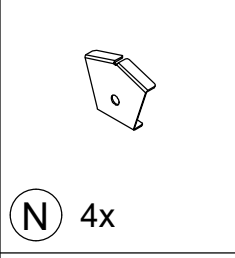
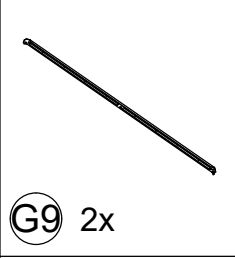
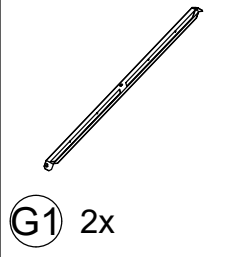
Q2 4x

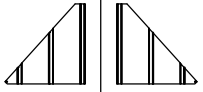
1 16x

M6x15

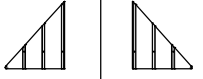


<9>

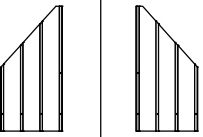




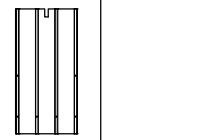
S1 2x S2 2x



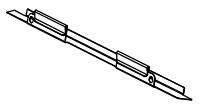
O1 2x O2 2x



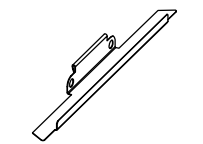
O3 2x O4 2x



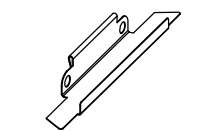
O7 2x



Z 28x

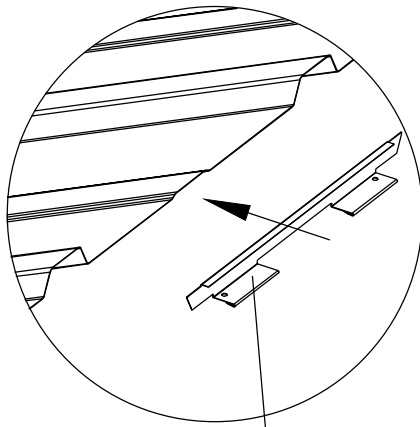


Z1 4x

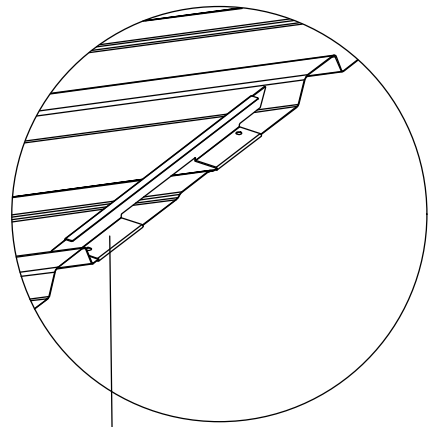
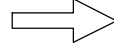


Z2 4x

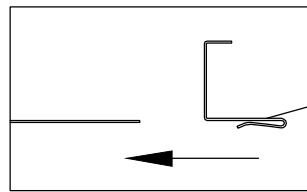
<10>



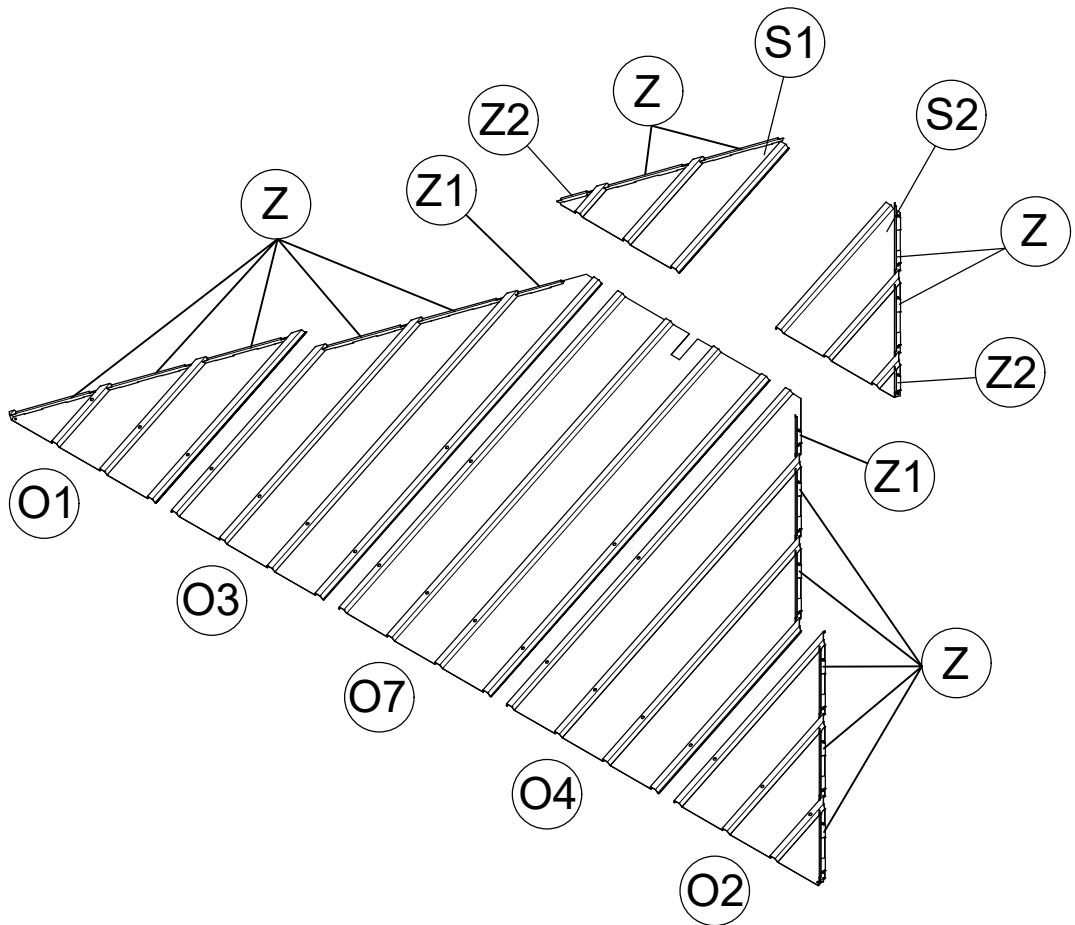
Z or Z1 or Z2

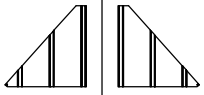


Z or Z1 or Z2

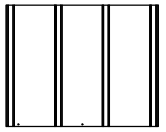


Z or Z1 or Z2

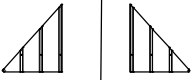




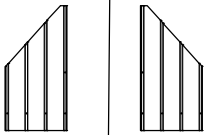
S1 2x S2 2x



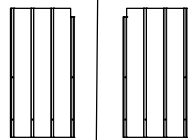
S3 2x



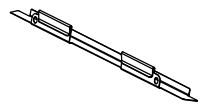
O1 2x O2 2x



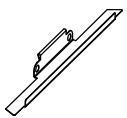
O3 2x O4 2x



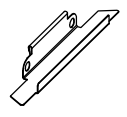
O5 2x O6 2x



Z 28x

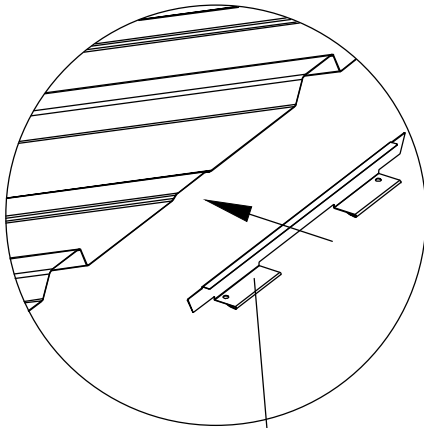


Z1 4x

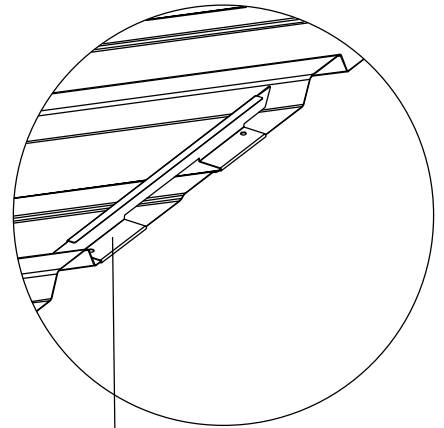
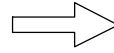


Z2 4x

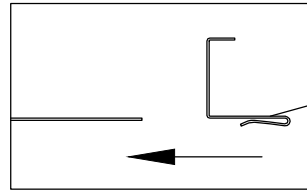
<11>



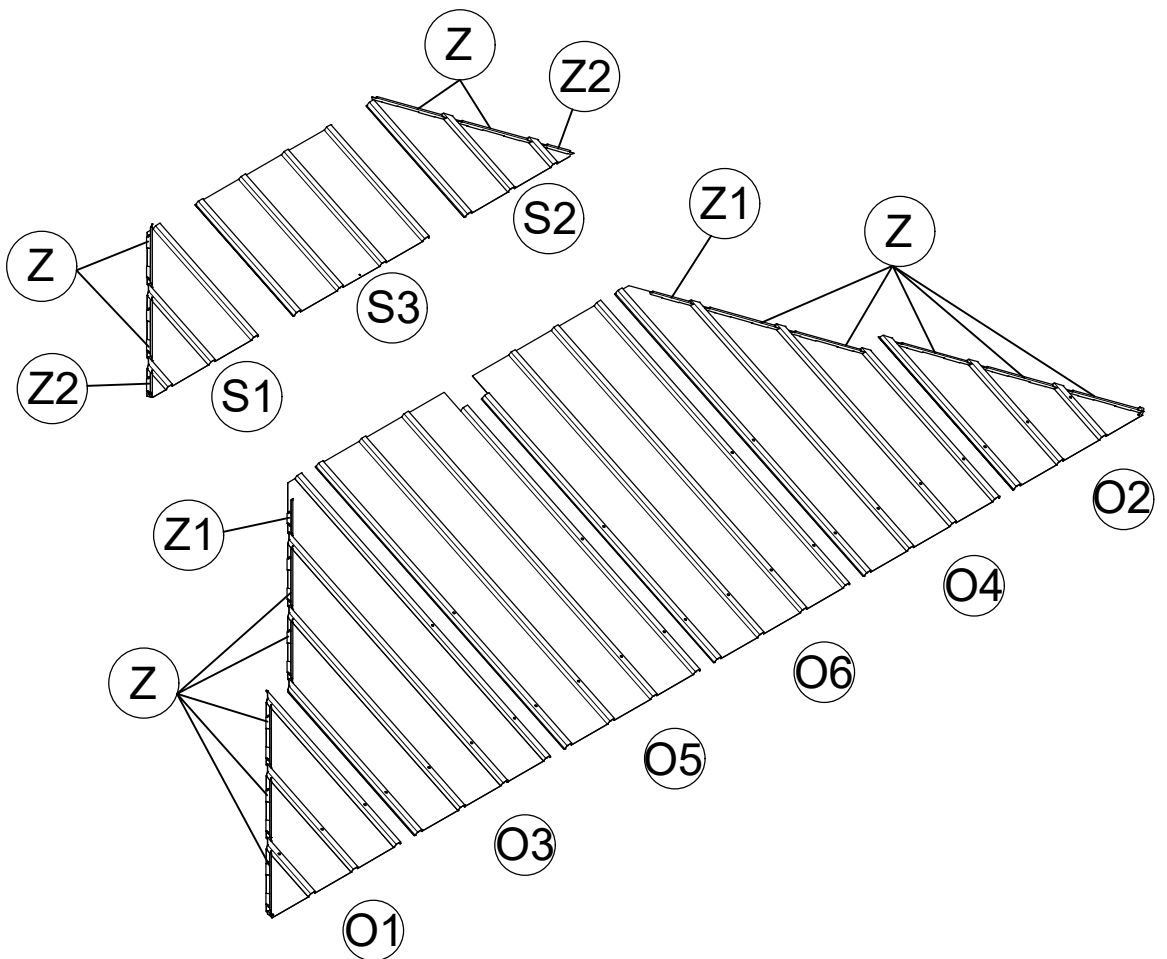
Z or Z1 or Z2



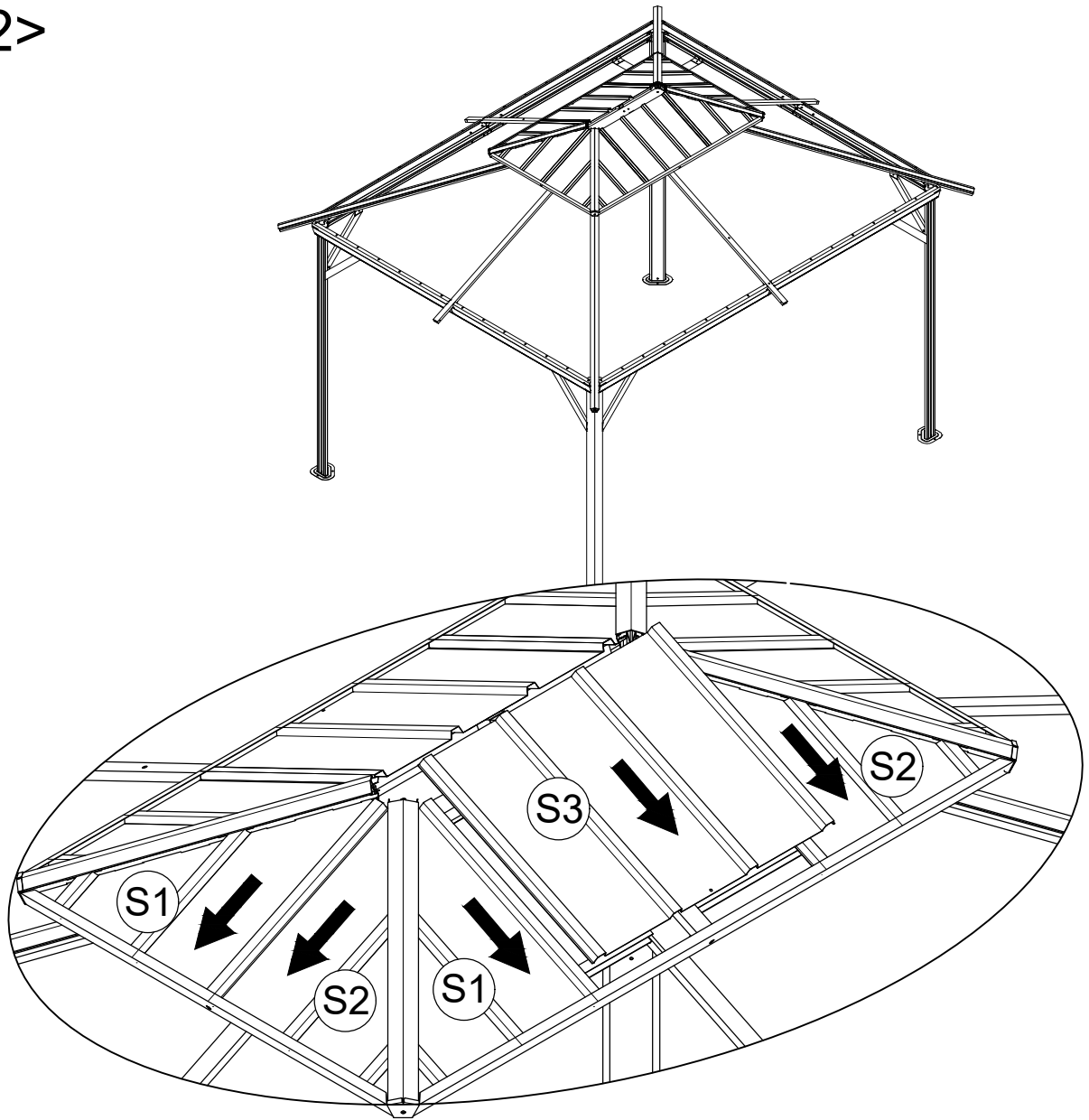
Z or Z1 or Z2



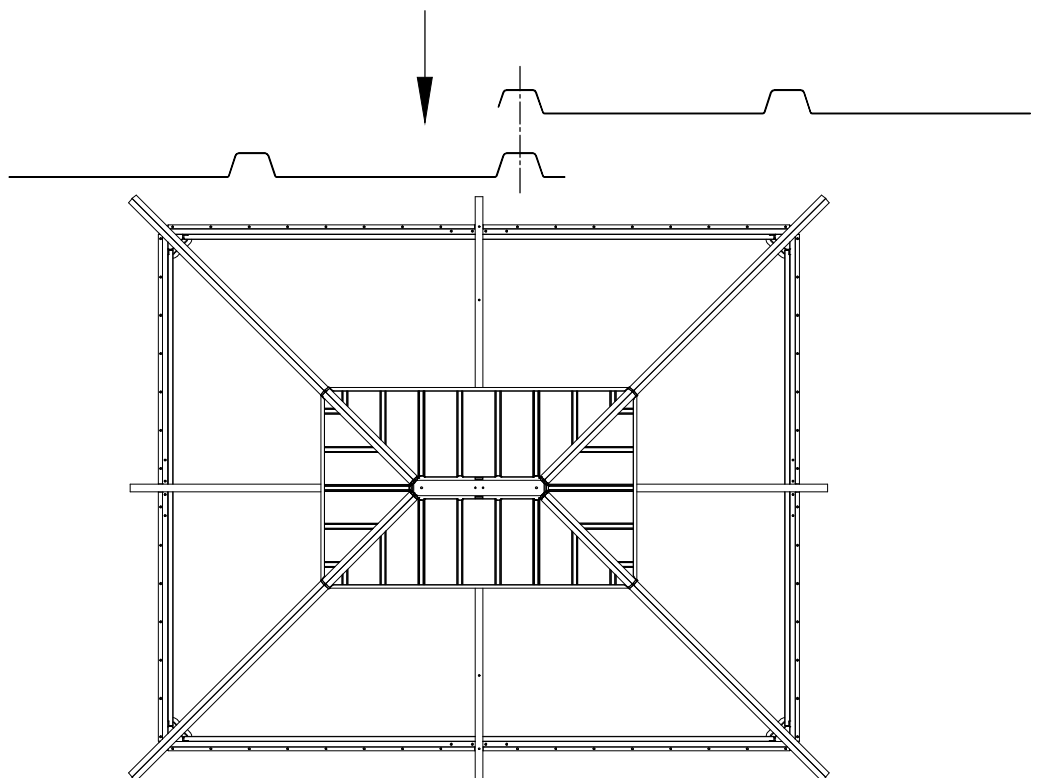
Z or Z1 or Z2



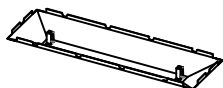
<12>



When installing the Roof plates (S2) onto short side, pls detach the right end of Roof Rib(G1) first. And then install the right end of Roof Rib (G1) again after S2 is installed.



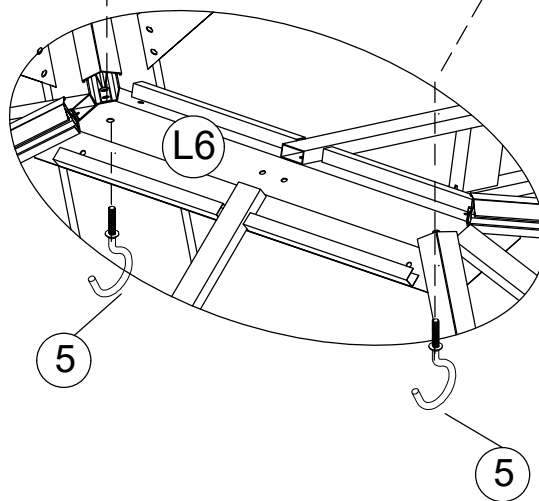
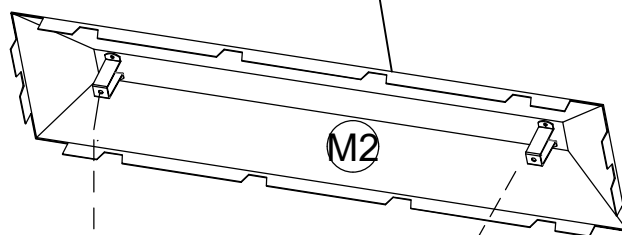
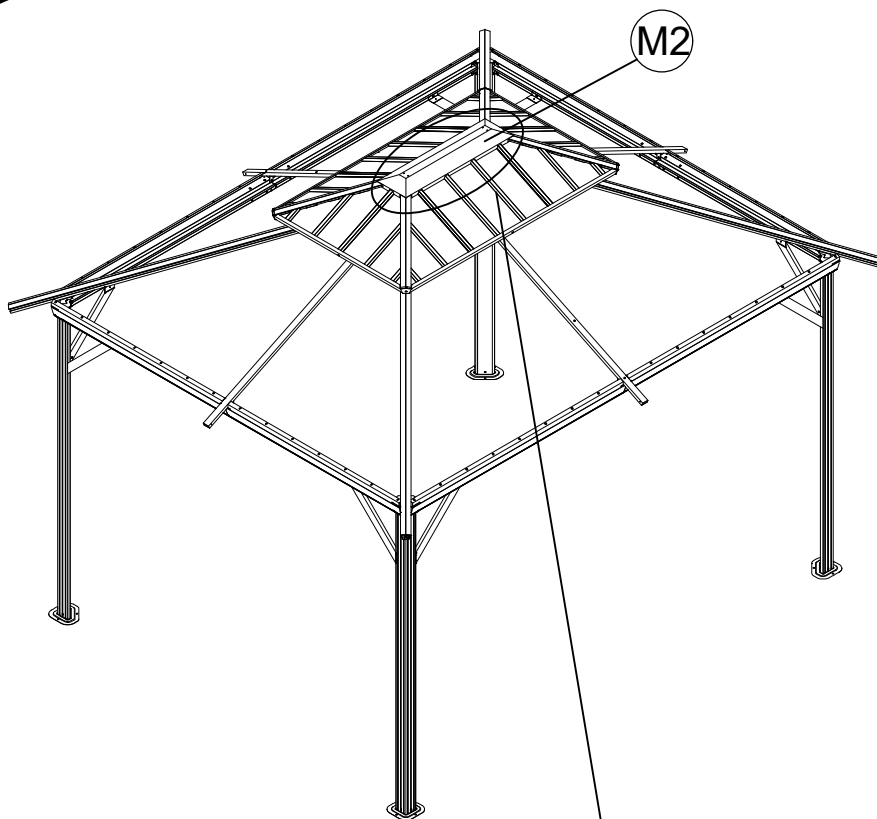
<13>



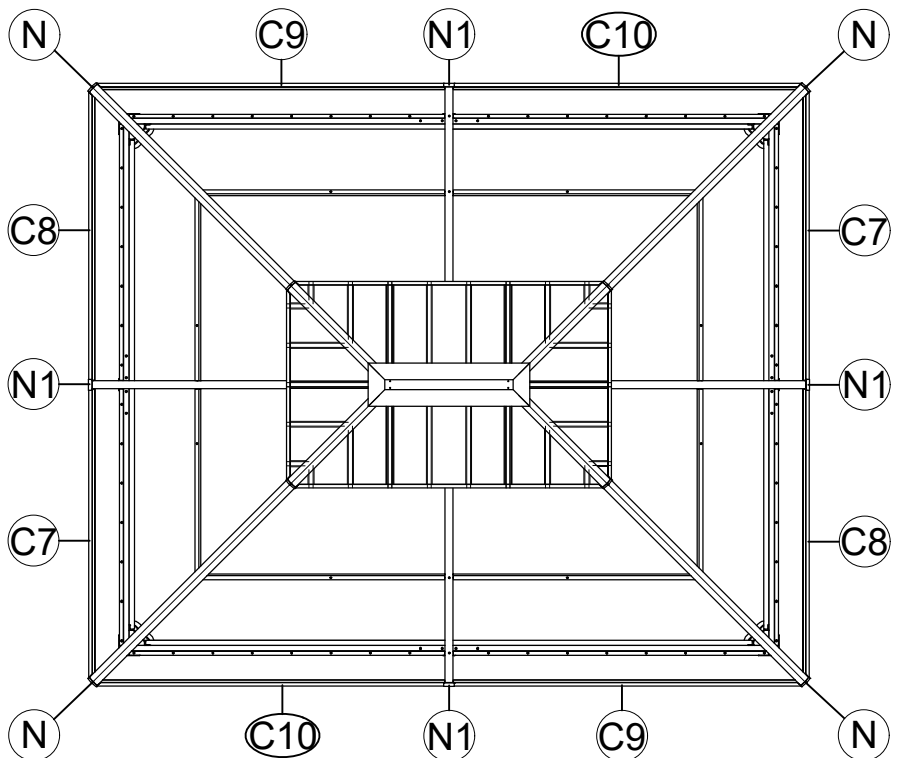
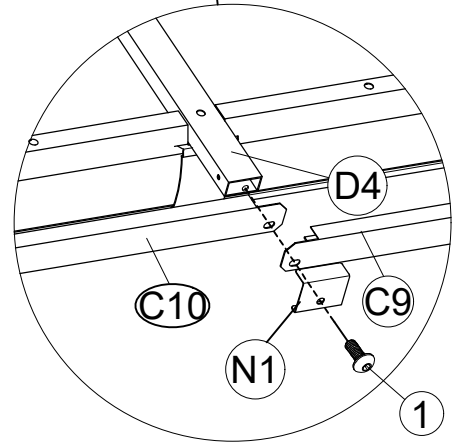
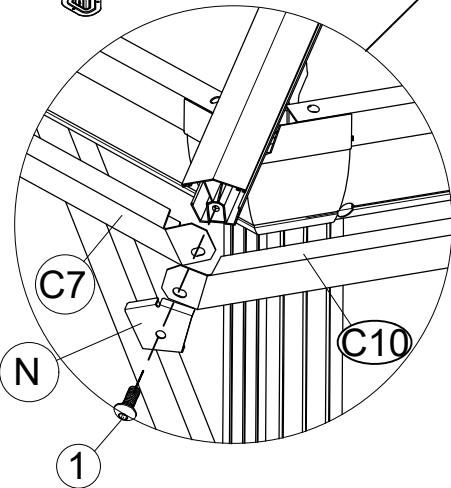
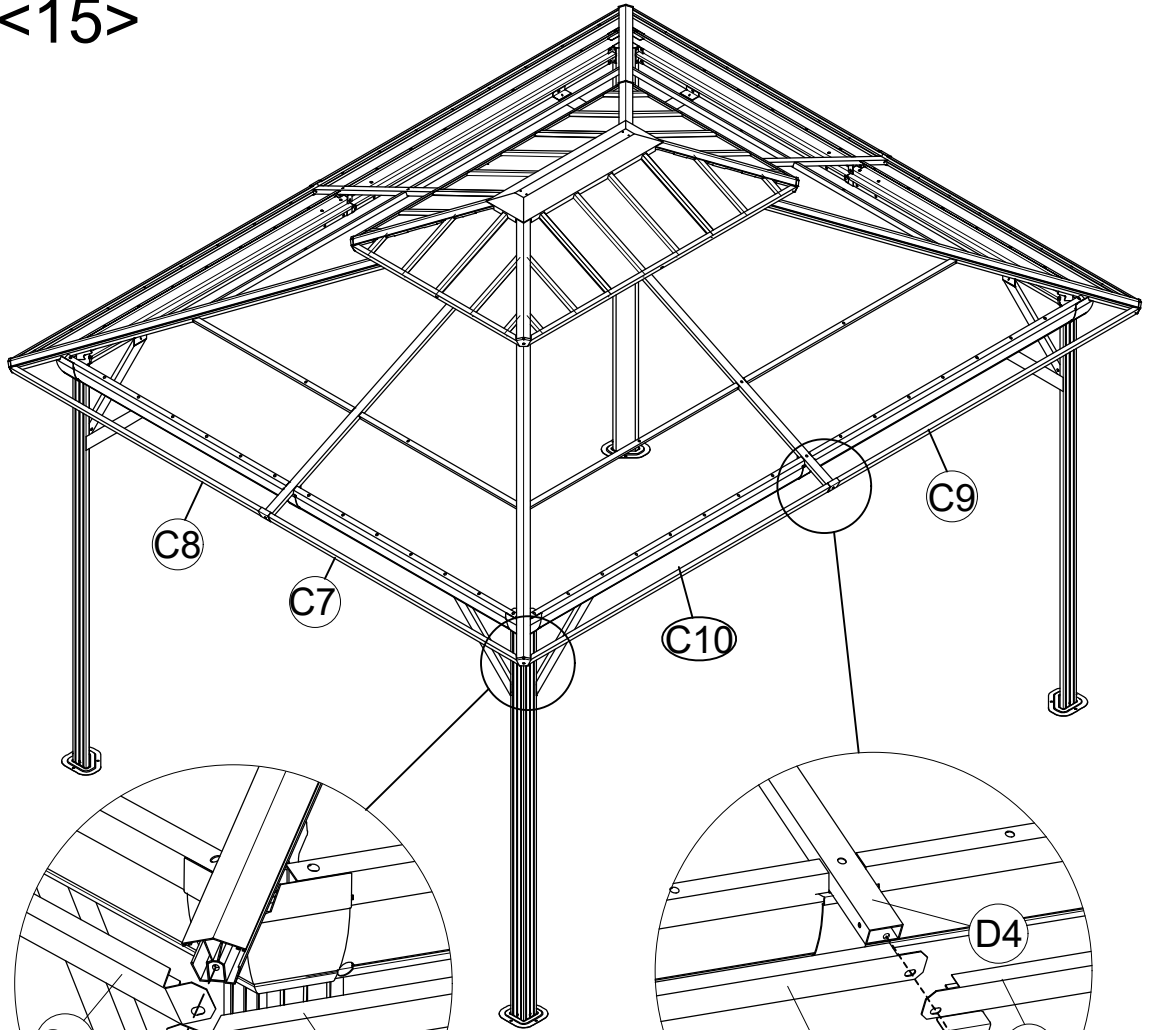
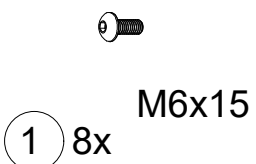
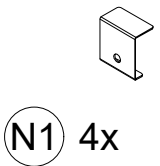
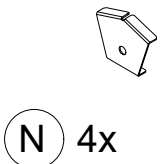
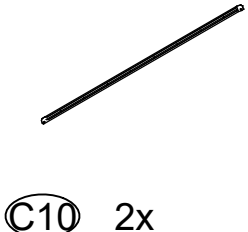
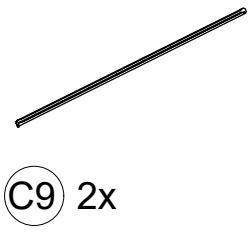
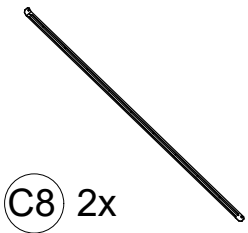
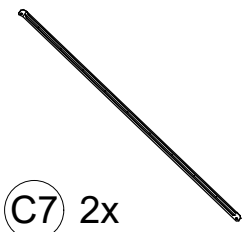
M2 1x



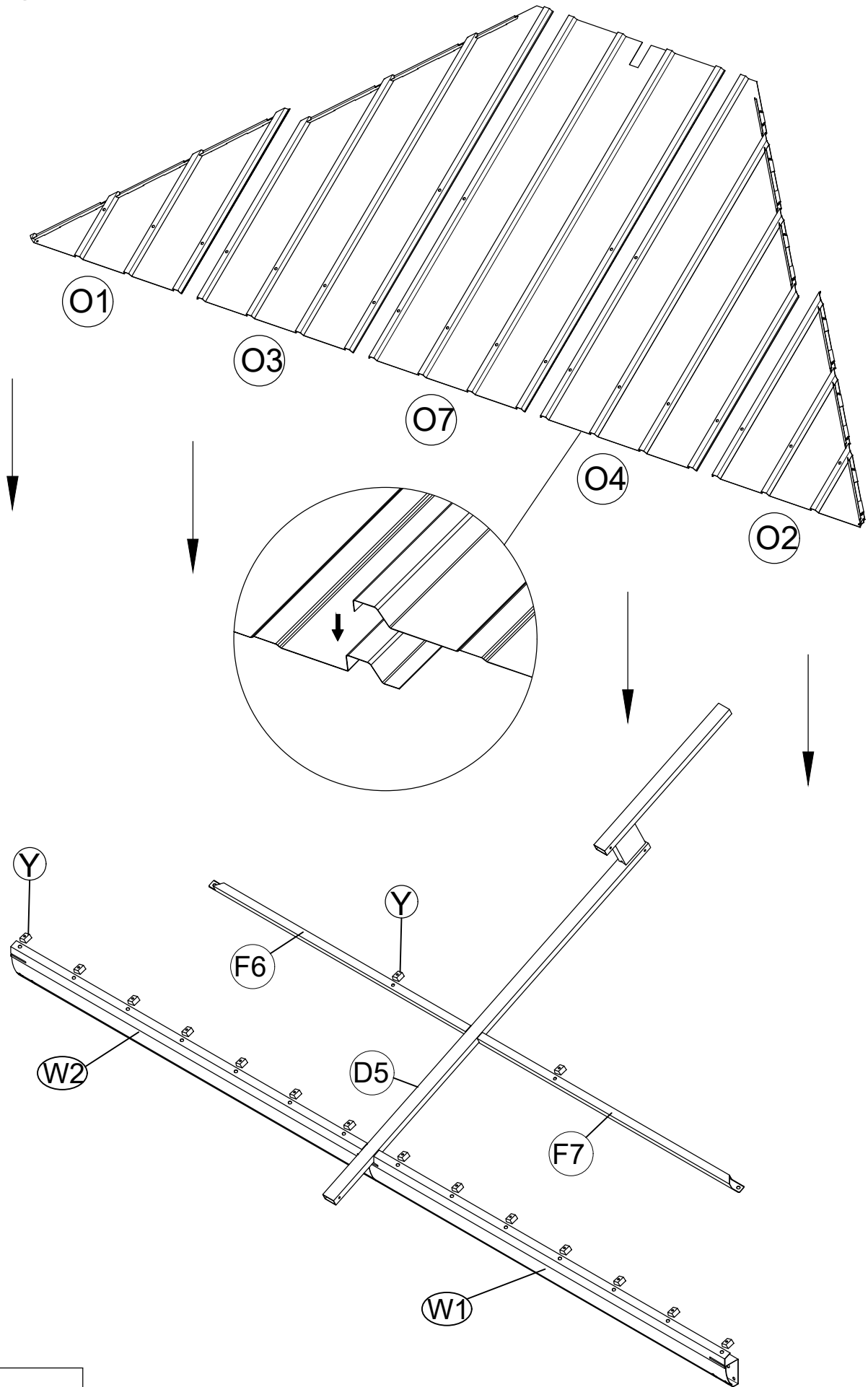
5 2x



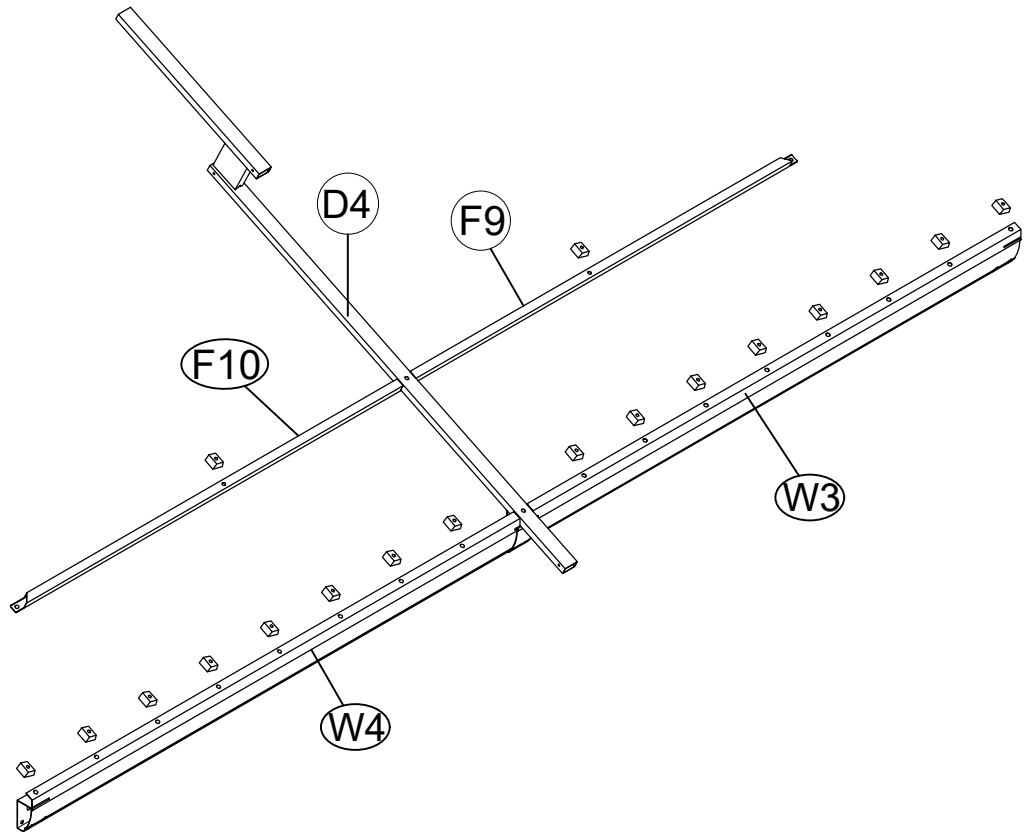
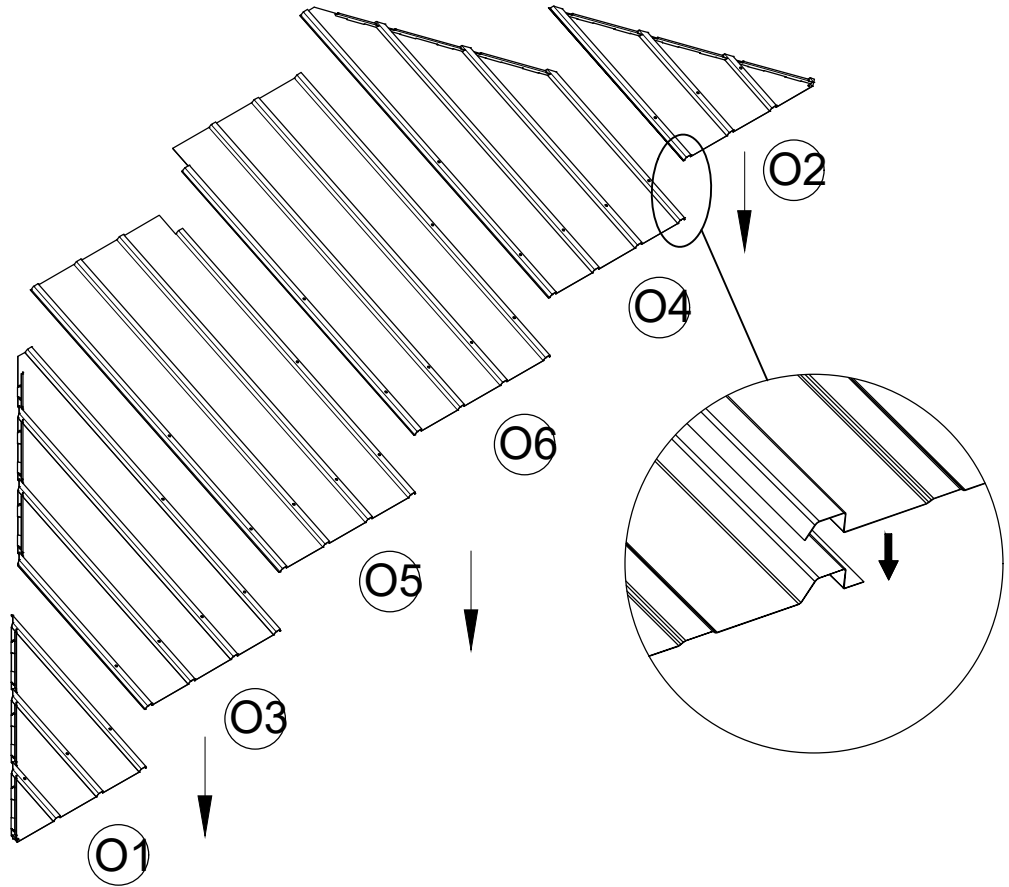
<15>



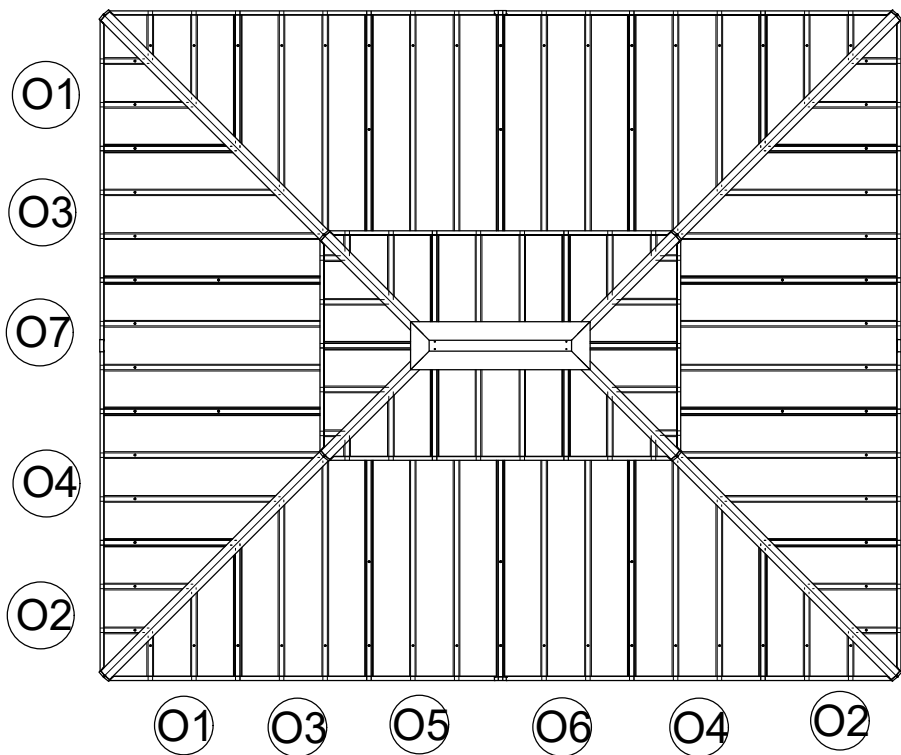
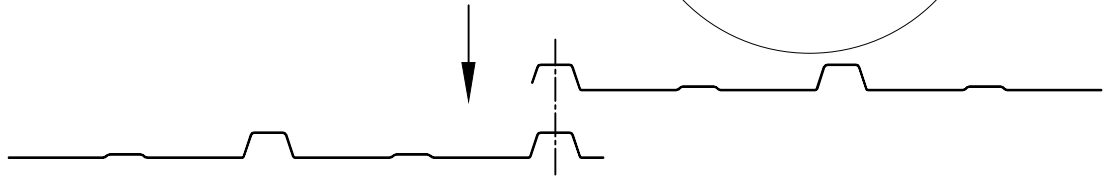
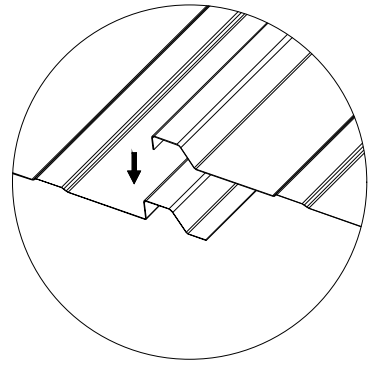
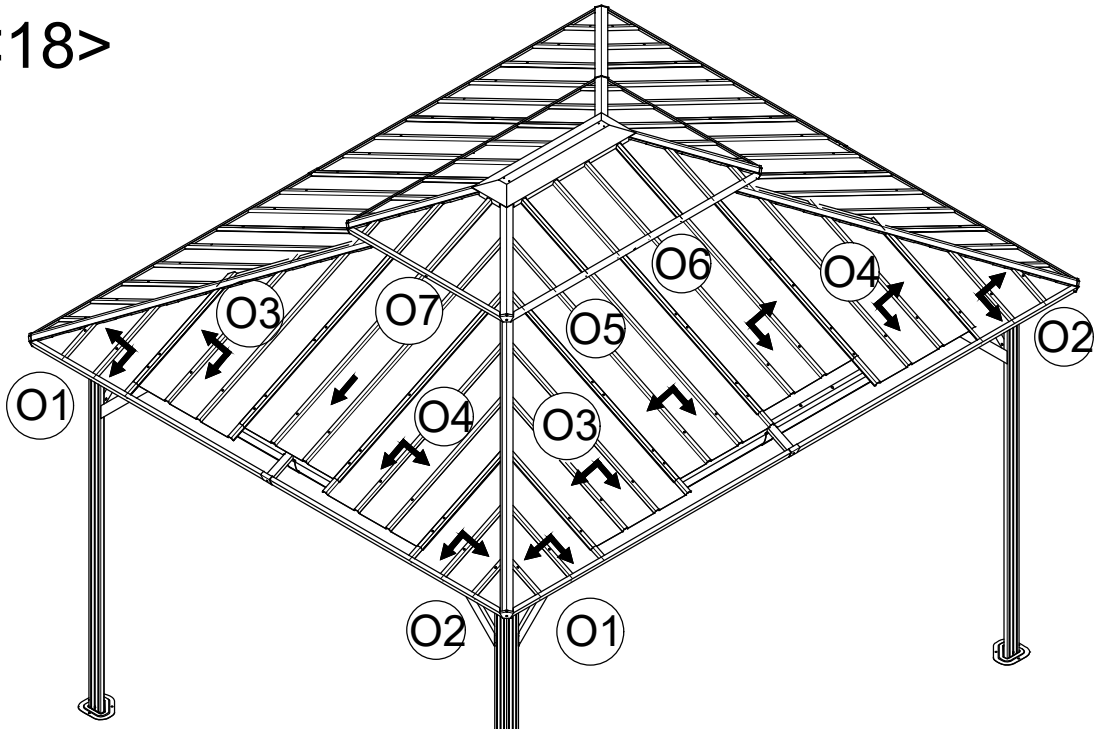
<16>



<17>



<18>





Y 68x



M6x25

3 4x



M6x23

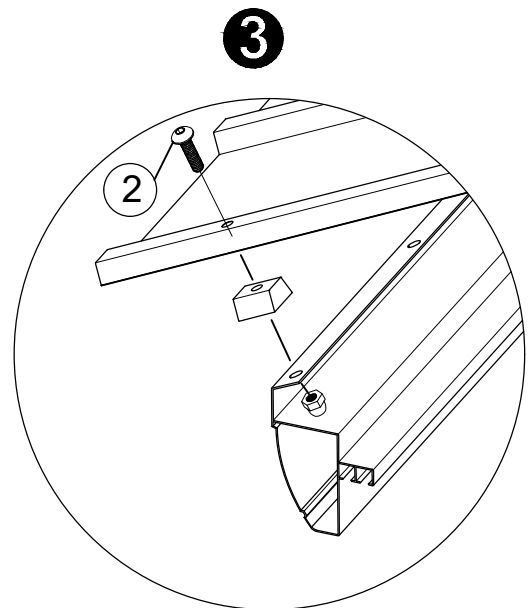
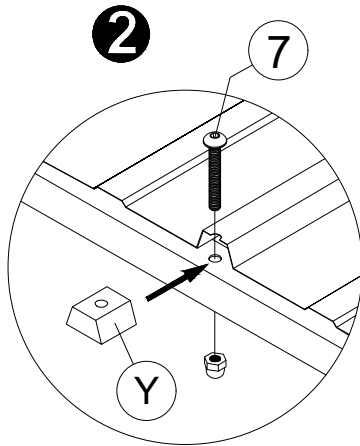
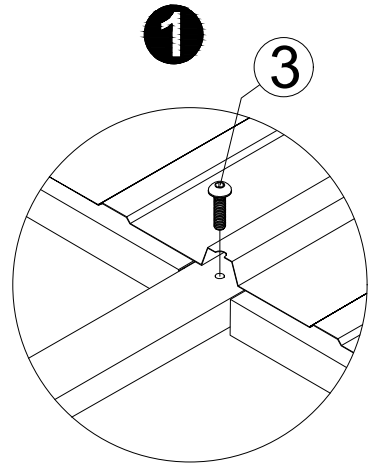
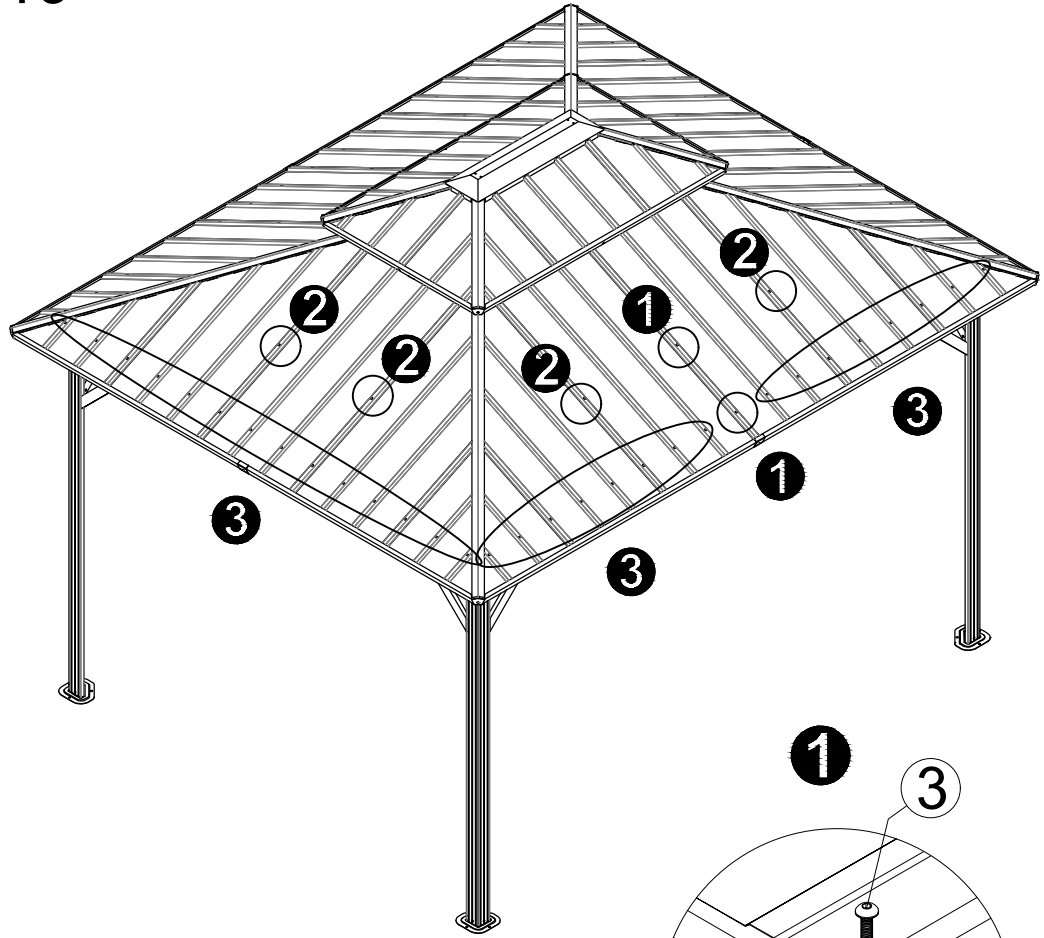
2 60x



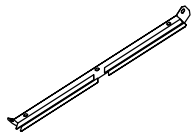
M6x45

7 8x

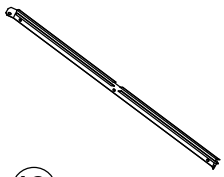
<19>



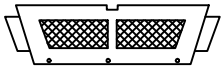
Note: When installing the roof top plates, if the roof plates are slightly uneven, pls press the screws from the top of the plates until the bottom screw thread is exposed by 3 to 4mm, and then screw on the nut.



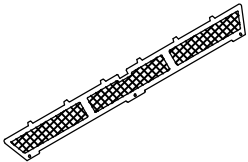
I1 2x



I9 2x



V1 2x



V6 2x



N 4x



M6x15

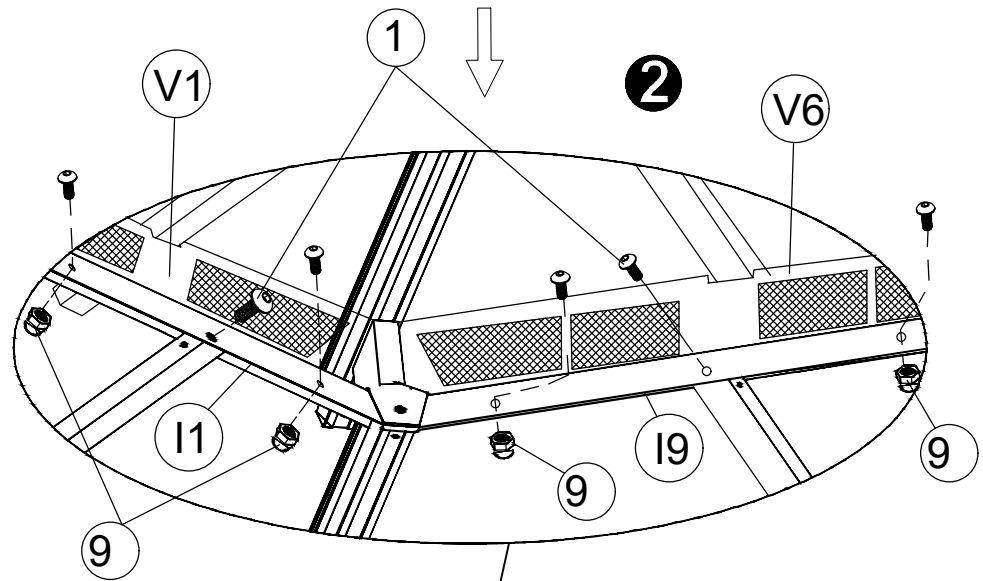
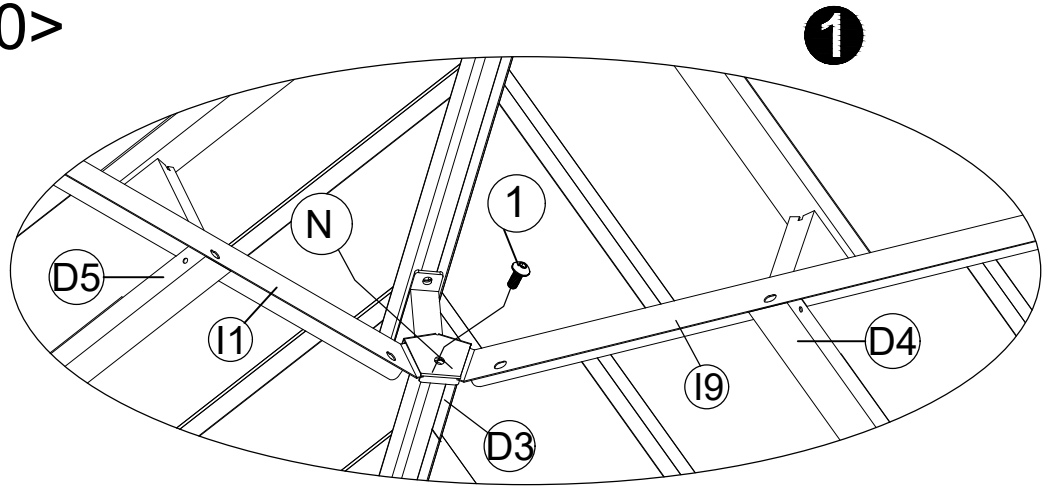
1 8x

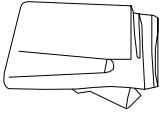


M6x10

9 8x

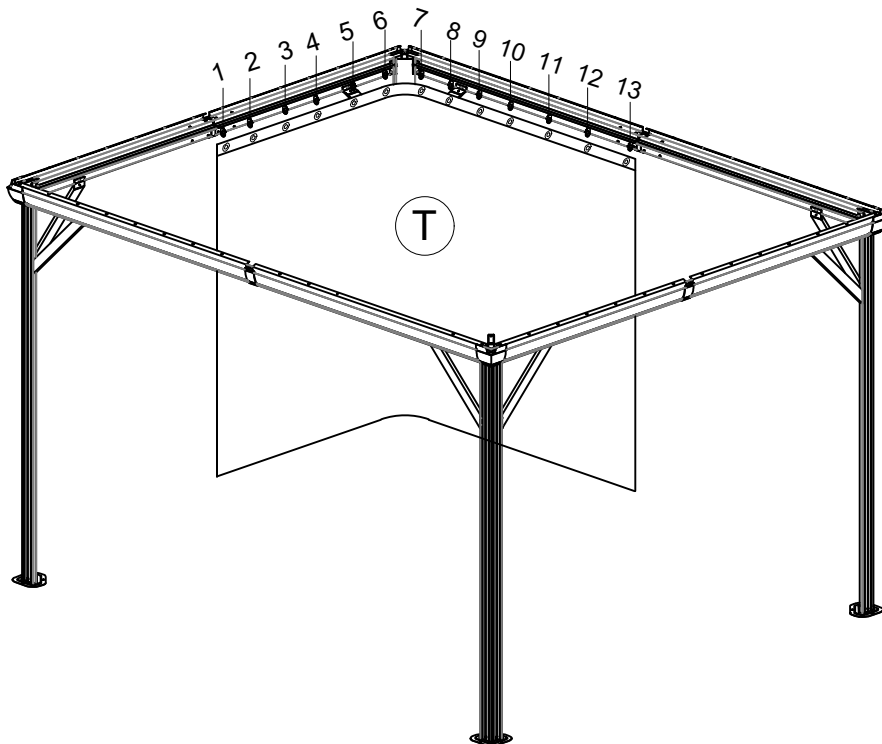
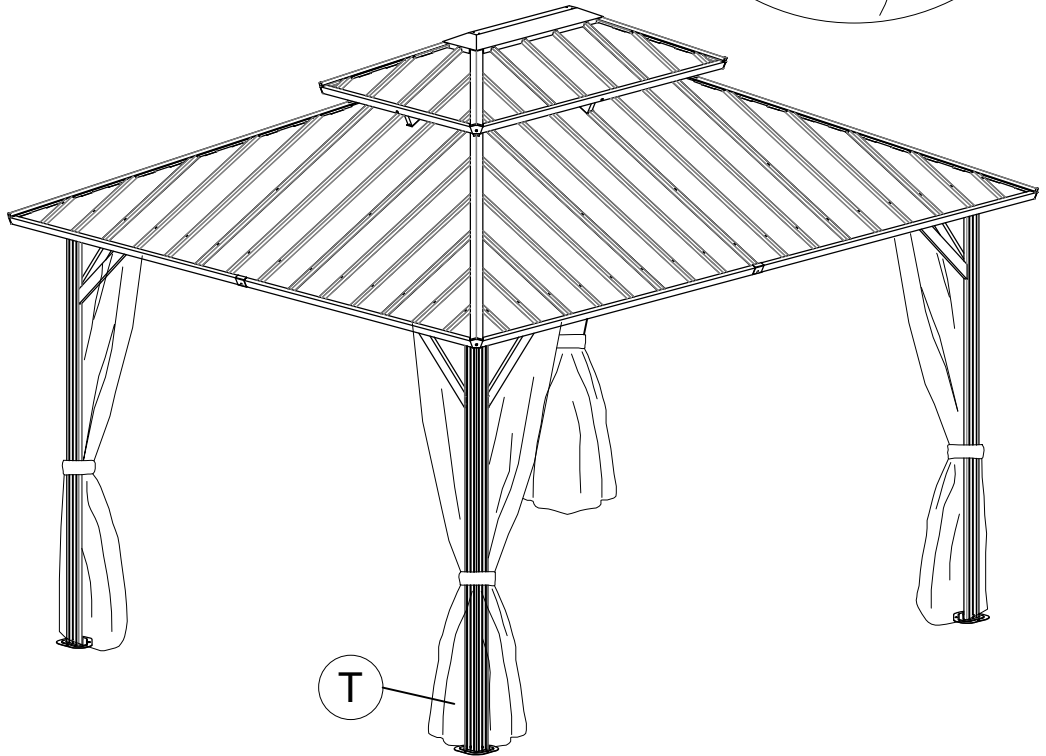
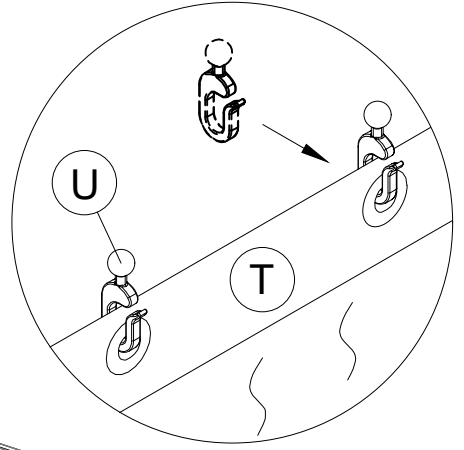
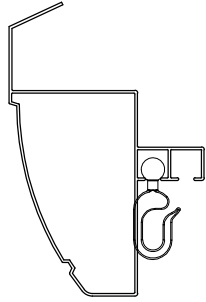
<20>

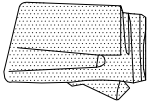




T 4x

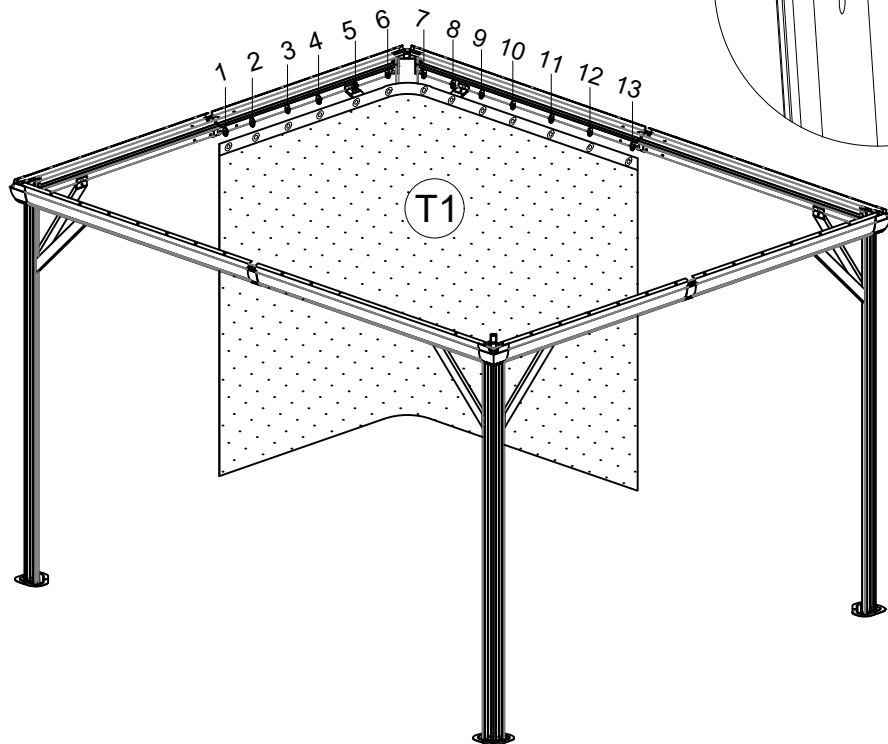
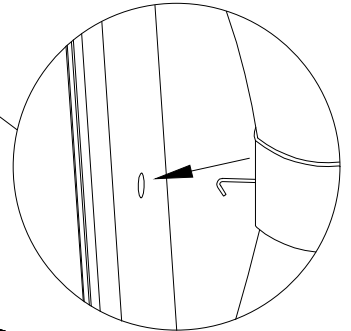
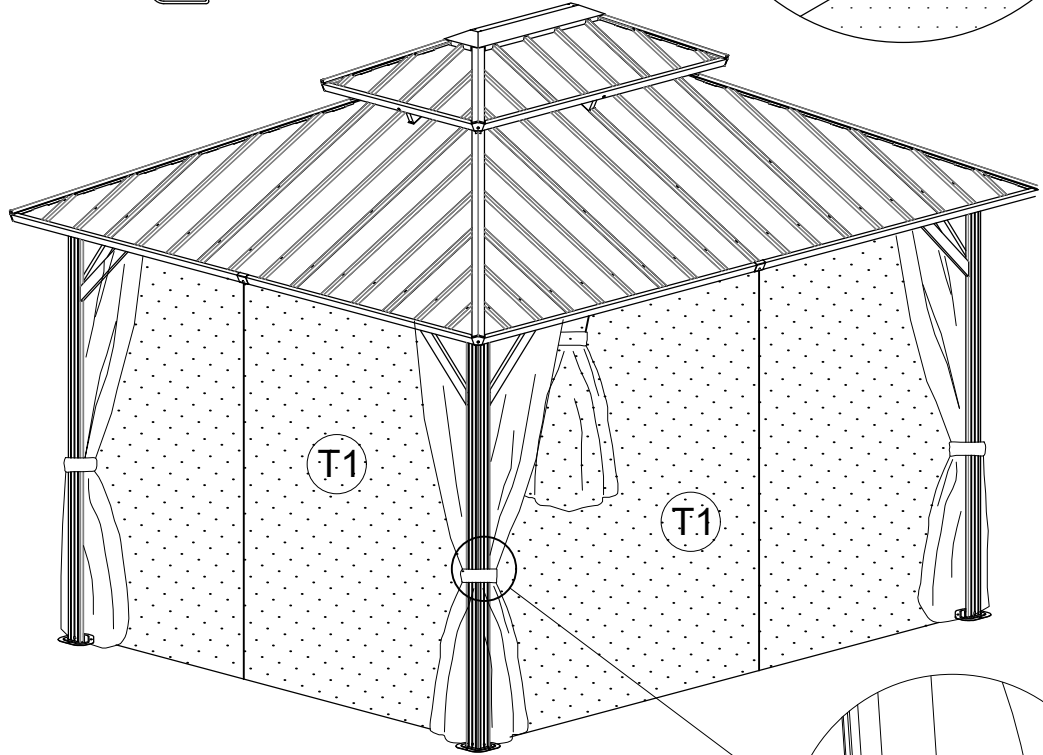
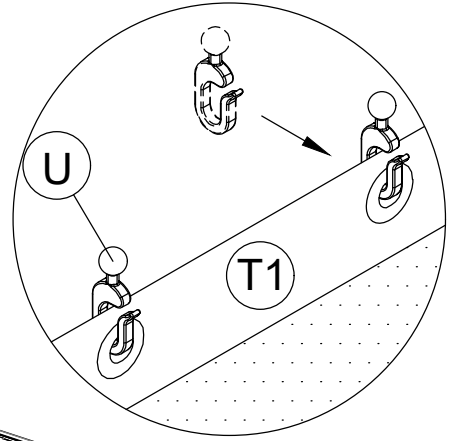
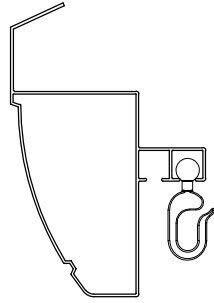
<21>





T1 4x

<22>



| Carton-1/3 | | Carton-2/3 | | Carton-3/3 | |
|------------|-----|---------------------------------|-----|------------|-----|
| Part | Qty | Part | Qty | Part | Qty |
| A3 | 4 | D4 | 2 | O1 | 4 |
| D3 | 4 | D5 | 2 | O2 | 4 |
| C7 | 2 | W1 | 2 | O3 | 4 |
| C8 | 2 | W2 | 2 | O4 | 4 |
| C9 | 2 | W3 | 2 | O5 | 2 |
| C10 | 2 | W4 | 2 | O6 | 2 |
| I1 | 2 | E5 | 4 | S1 | 4 |
| I9 | 2 | G1 | 2 | S2 | 4 |
| G9 | 2 | V1 | 2 | S3 | 2 |
| F6 | 2 | V2 | 2 | | |
| F7 | 2 | L6 | 1 | | |
| F9 | 2 | M2 | 1 | | |
| F10 | 2 | P | 4 | | |
| H | 4 | K1 | 4 | | |
| H1 | 4 | K2 | 4 | | |
| J | 4 | V | 4 | | |
| | | Q2 | 4 | | |
| | | Z | 56 | | |
| | | Z1 | 8 | | |
| | | Z2 | 8 | | |
| | | Y | 68 | | |
| | | U1 | 104 | | |
| | | N | 12 | | |
| | | N1 | 4 | | |
| | | T | 4 | | |
| | | T1 | 4 | | |
| | | 1.2.4.5.6.7.8. 9.10.12.13.14 | 1 | | |
| | | | | | |
| | | | | | |