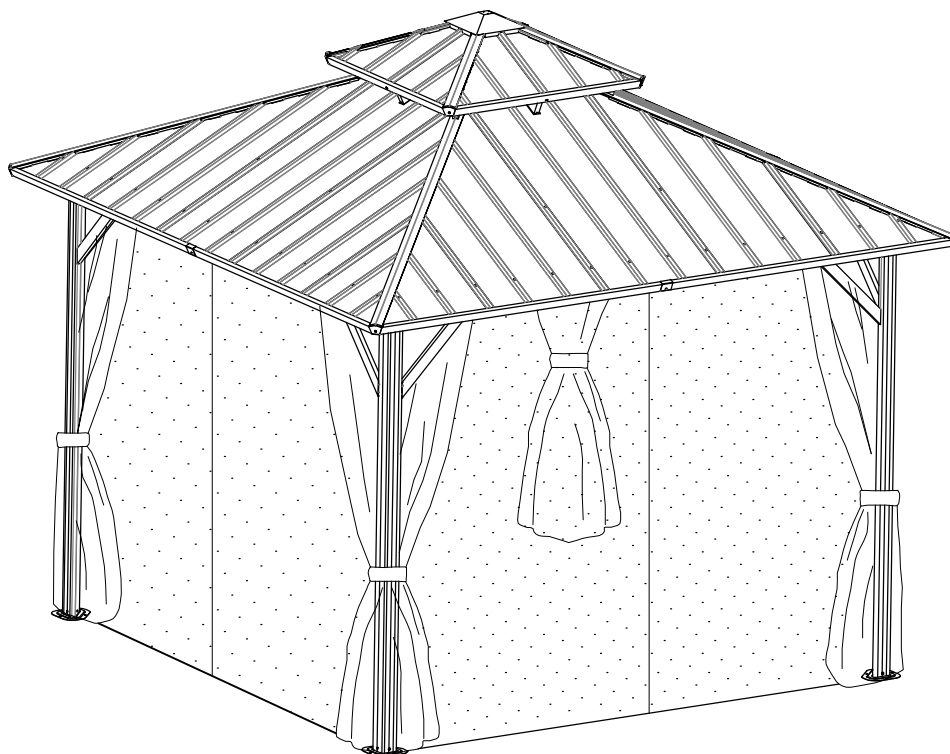


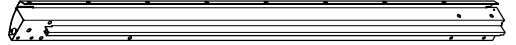
# 10 x 10FT

WQG-027

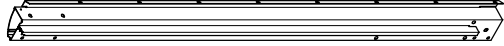




A3 4x



W1 4x



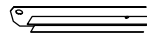
W2 4x



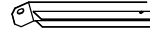
D3 4x



D5 4x



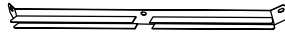
C7 4x



C8 4x



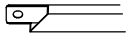
G1 4x



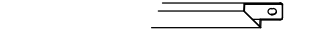
I1 4x



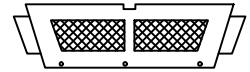
E5 4x



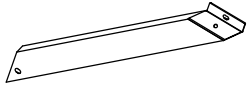
F6 4x



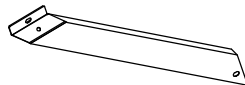
F7 4x



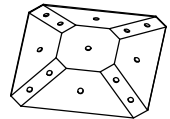
V1a 2x + V1b 2x



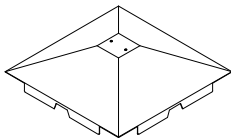
H 4x



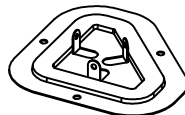
H1 4x



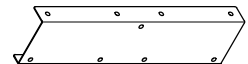
L1B 1x



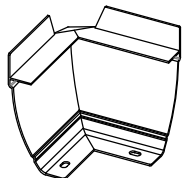
M1 1x



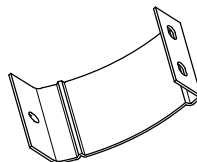
J 4x



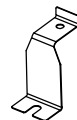
P 4x



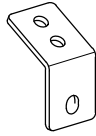
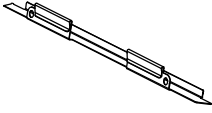
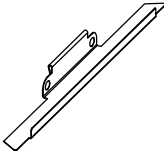
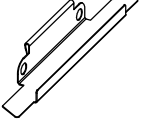
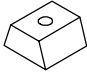

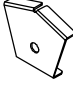

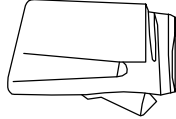
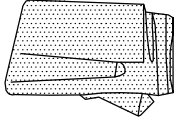
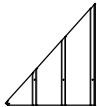
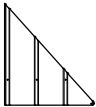
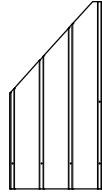
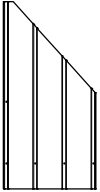
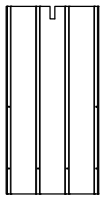
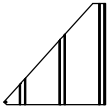
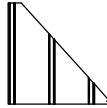






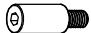




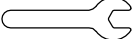
K2 4x



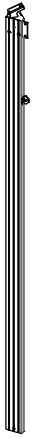
K1 4x



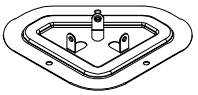
V 4x

 Q2 4x	 Z 56x	 Z1 8x	 Z2 8x
 Y 64x	 U1 96x	 N 12x	 N1 4x
 T 4x	 T1 4x		
 O1 4x	 O2 4x	 O3 4x	 O4 4x
 O7 4x	 S1 4x	 S2 4x	
 M6x15 1 144x	 M6x23 2 56x	 ST 4.8x12 4 16x	 5 1x
 M5x12 6 4x	 M6x45 7 8x	 8 16x	 M6x10 9 8x
 10 12x	 12 2x 4mm	 13 1x 6mm	 14 1x

<1>



A3 4x

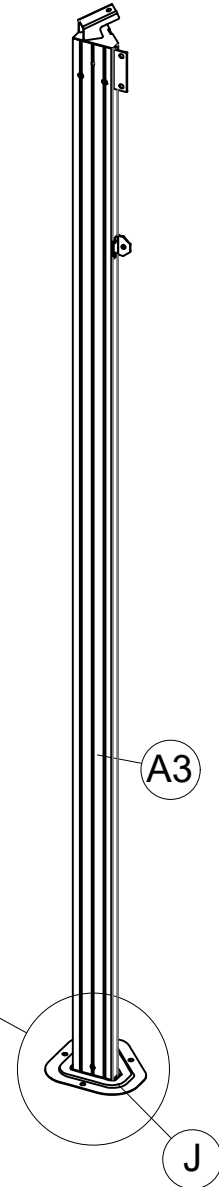
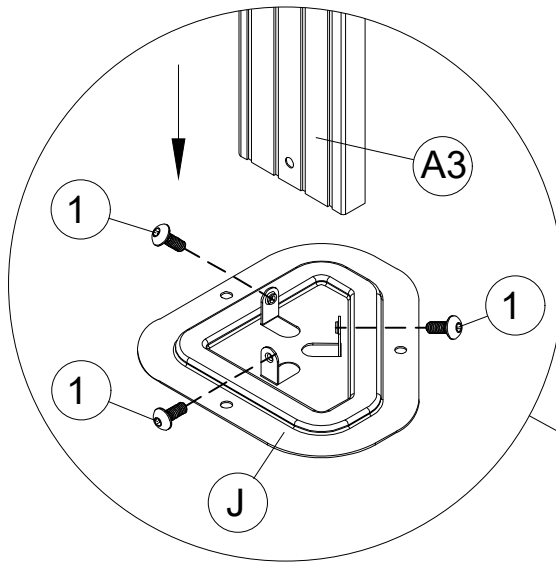


J 4x

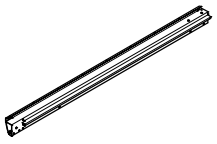


M6x15

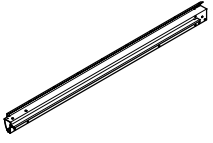
1 12x



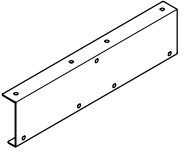
<2>



W1 4x



W2 4x

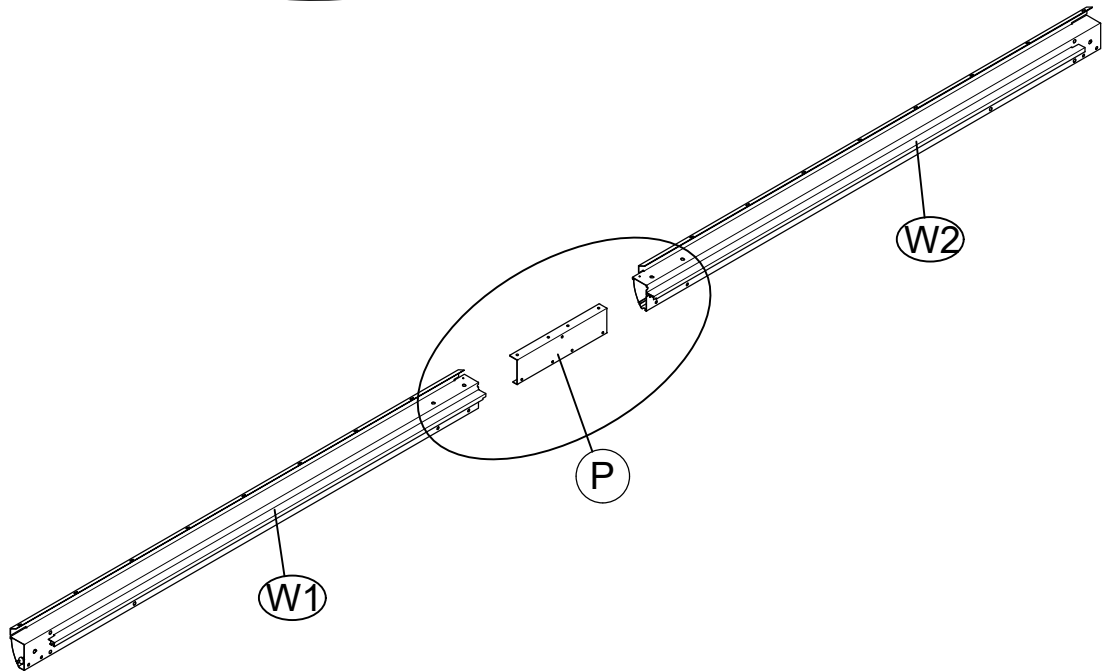
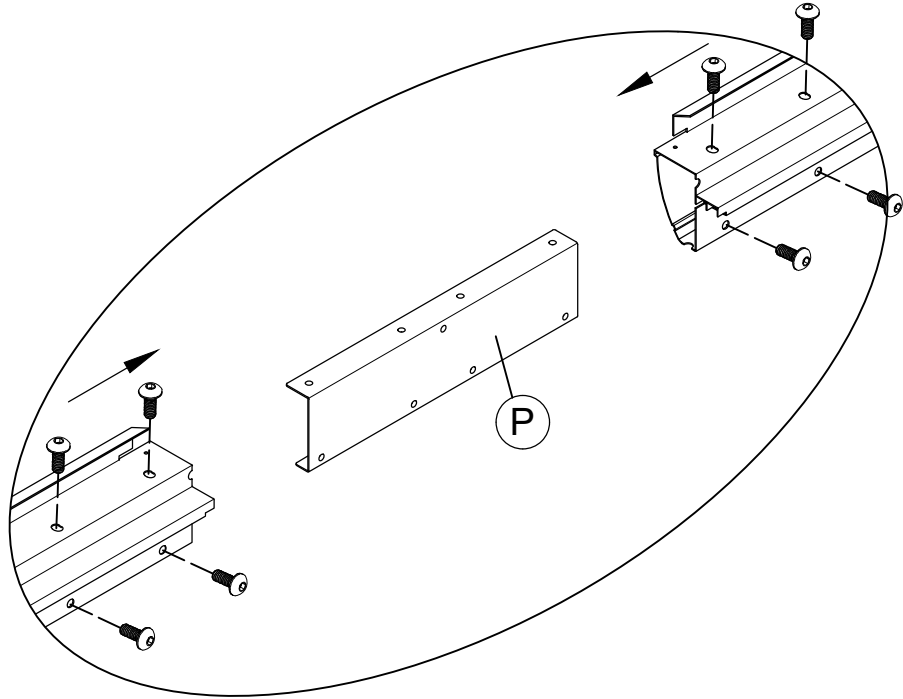


P 4x



M6x15

1 32x



<3>

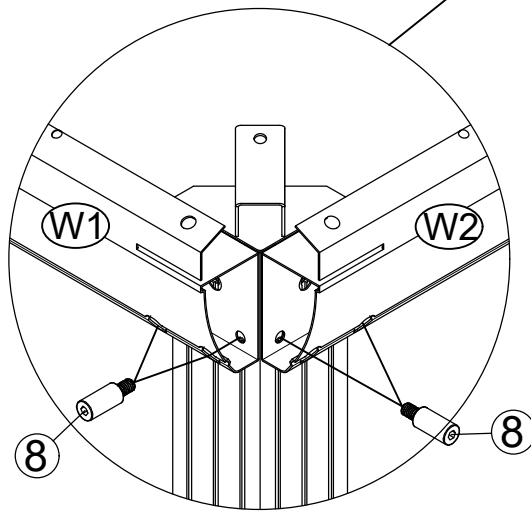
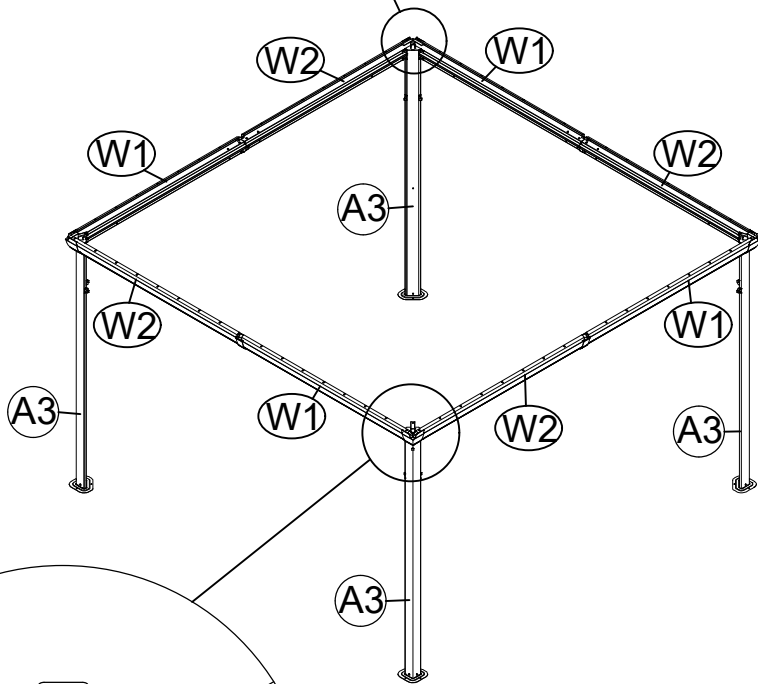
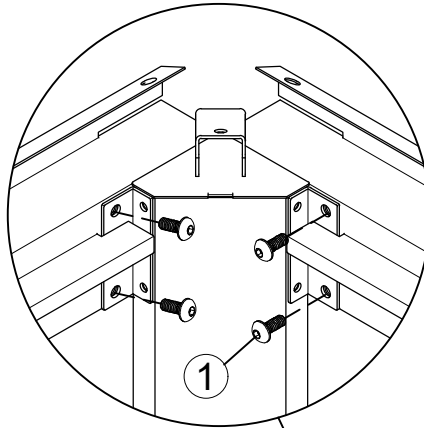


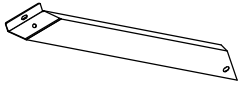
8 16x



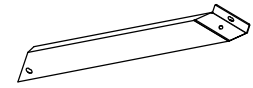
M6x15

1 16x





H1 4x



H 4x



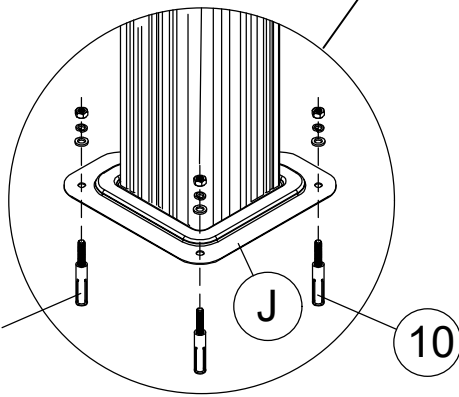
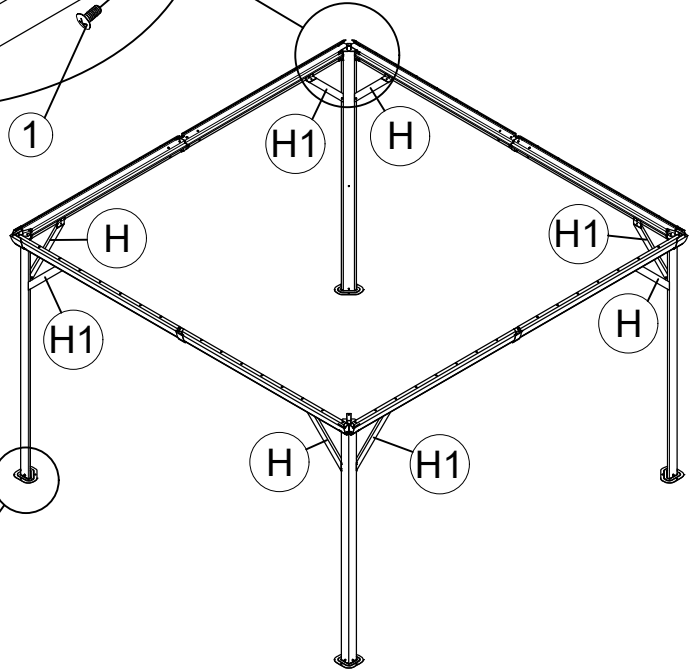
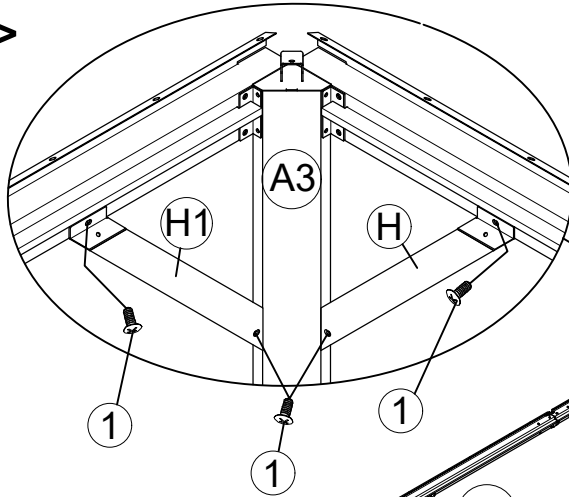
M6x15

1 16x

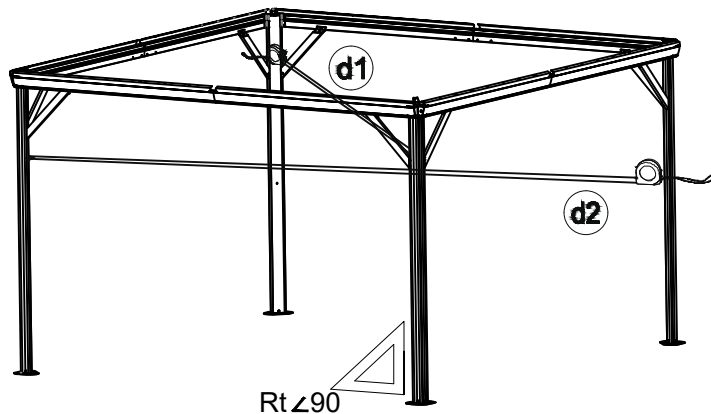


10 12x

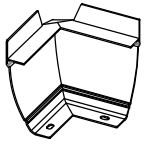
<4>



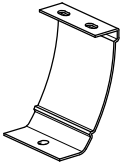
i d1=d2



Tips: Please measure to make sure the length of d1 is equal to d2 before moving to next step to ensure a square frame and best results. Keep the beam at right angles to the post, the post at right angles to the ground, and keep the beam horizontal.



K2 4x



K1 4x



U1 96x



V 4x



M5x12

6 4x

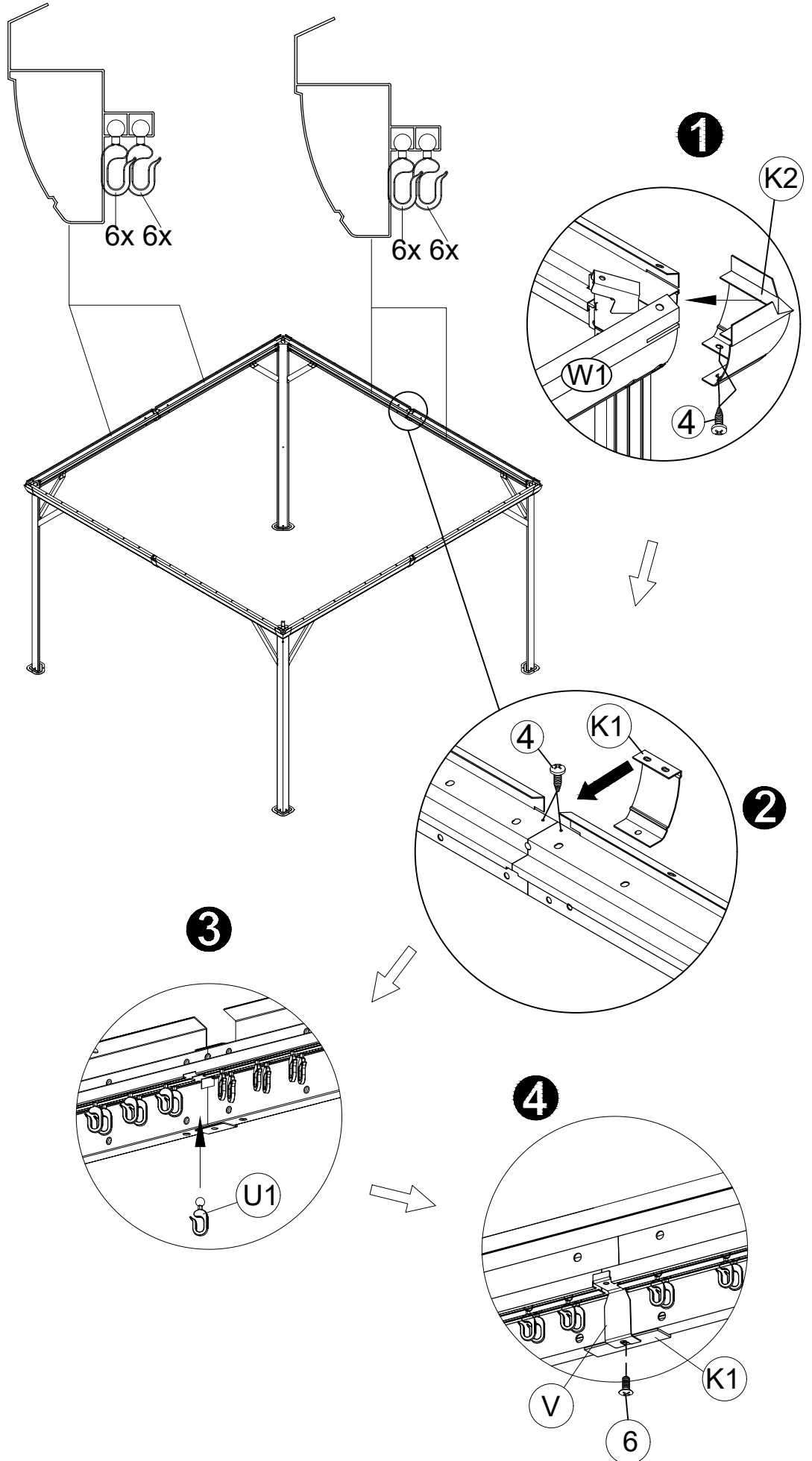


ST4.8x12

4 16x

8

<5>





<6>

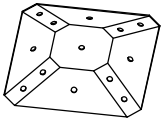
D3 4x



E5 4x



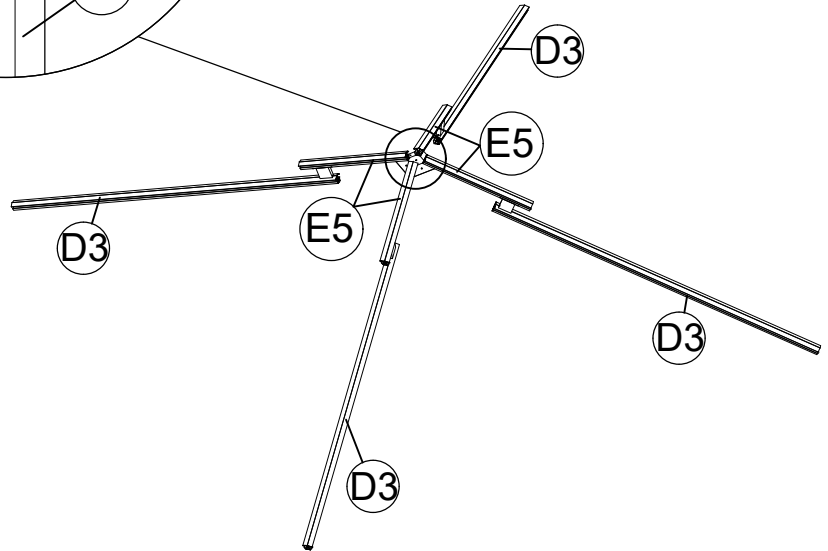
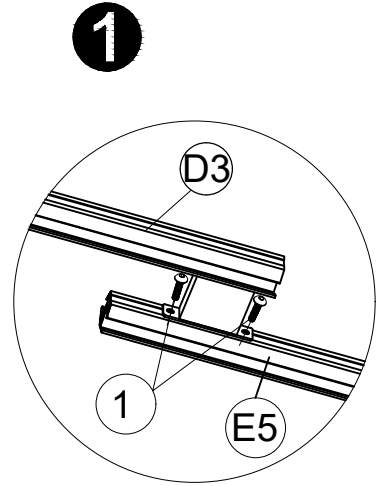
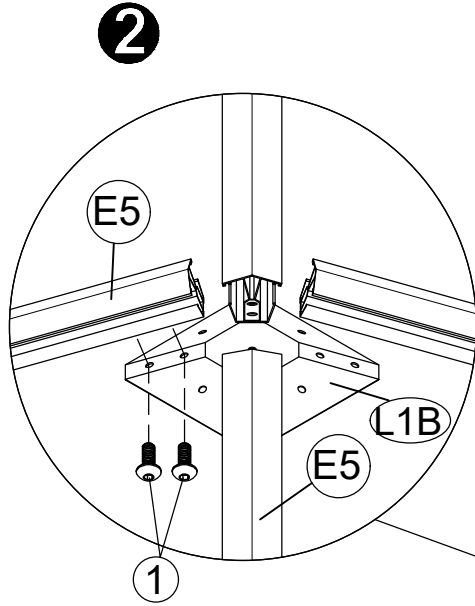
L1B 1x



M6x15



1 16x

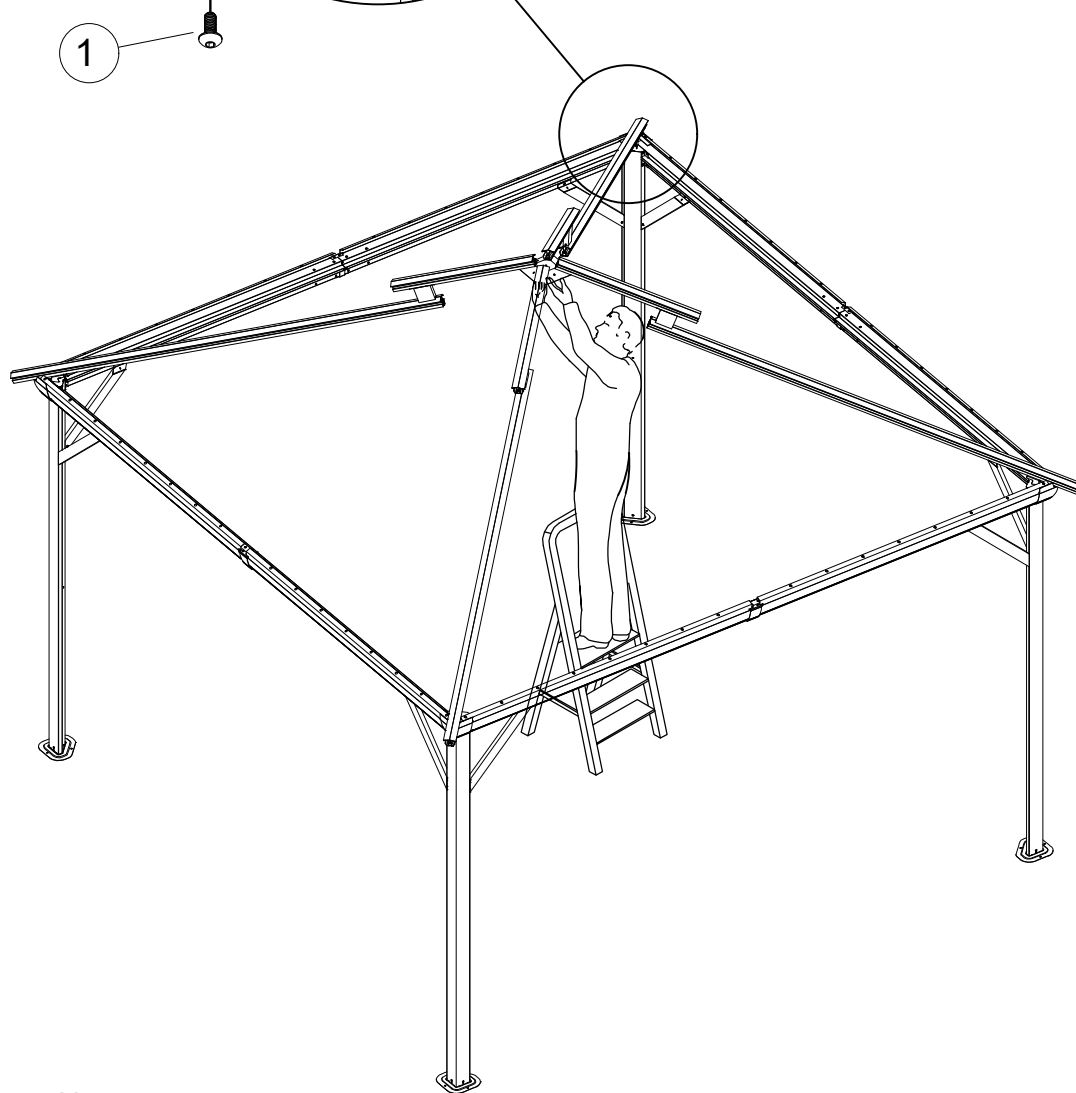
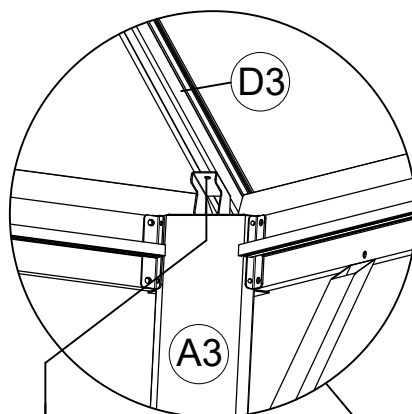




<7>

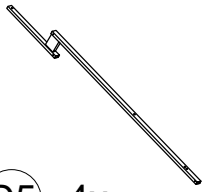
1

M6x15  
4x

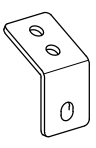


Note:

1. Let one person stand on the ladder to lift "L1B" and hold and let others fasten the screws connecting both ends of "D3".
2. Please do not let go of holding "L1B" until all the "D3" screws are installed.



D5 4x



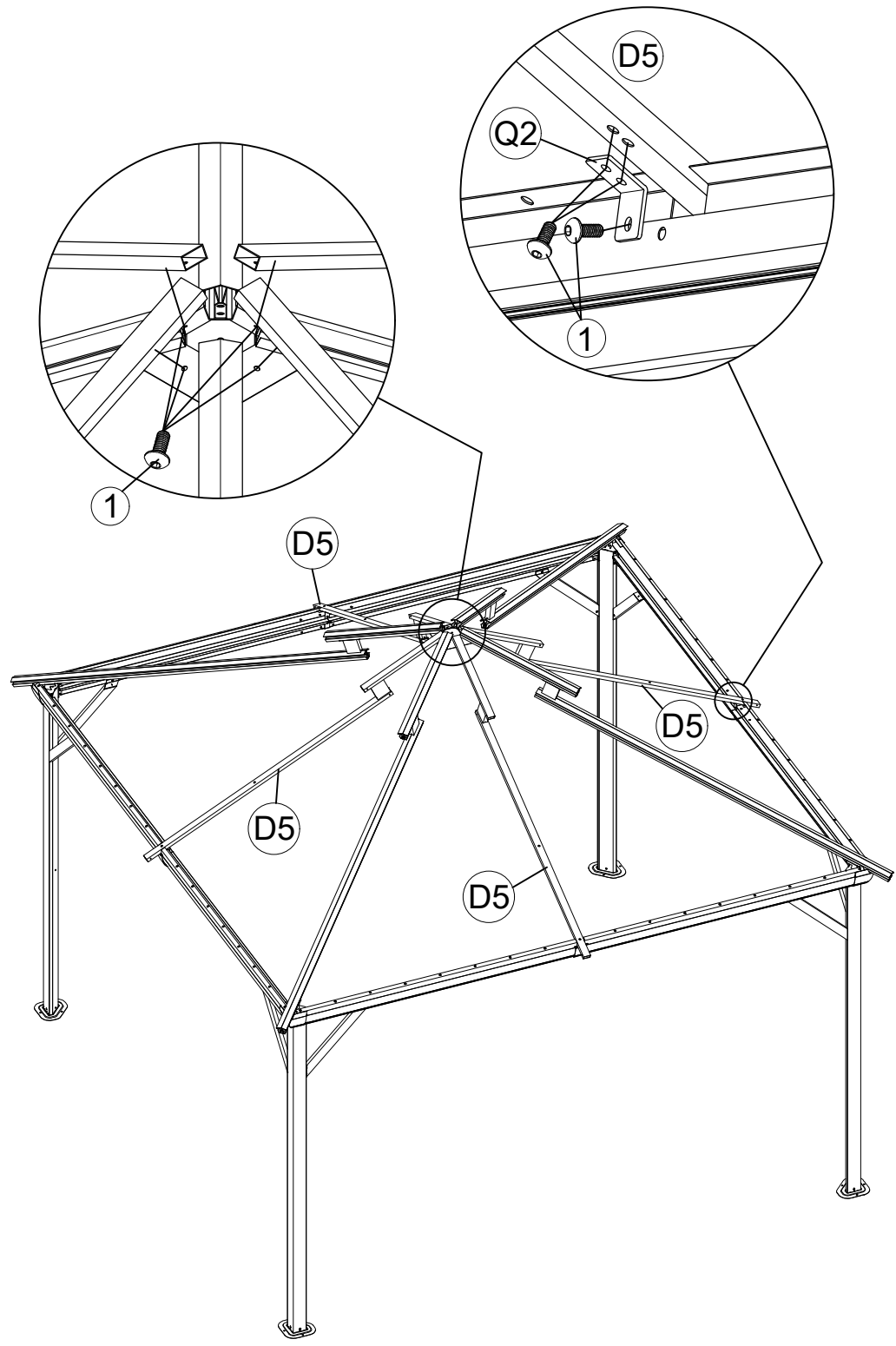
Q2 4x

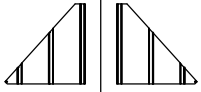


M6x15

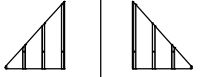
1 16x

<8>

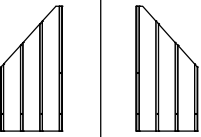




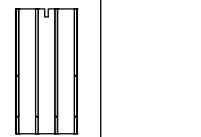
S1 4x S2 4x



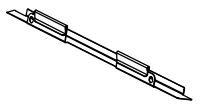
O1 4x O2 4x



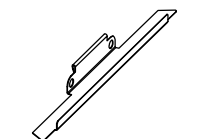
O3 4x O4 4x



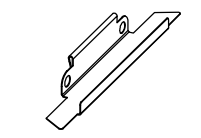
O7 4x



Z 56x

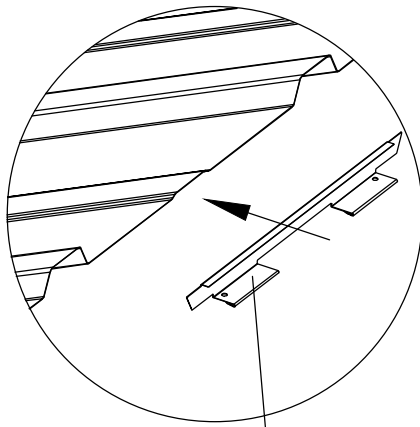


Z1 8x

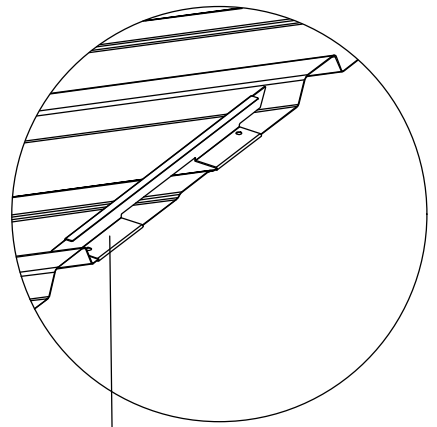
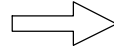


Z2 8x

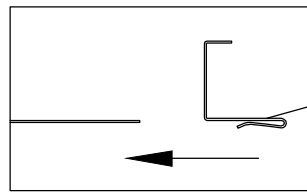
<9>



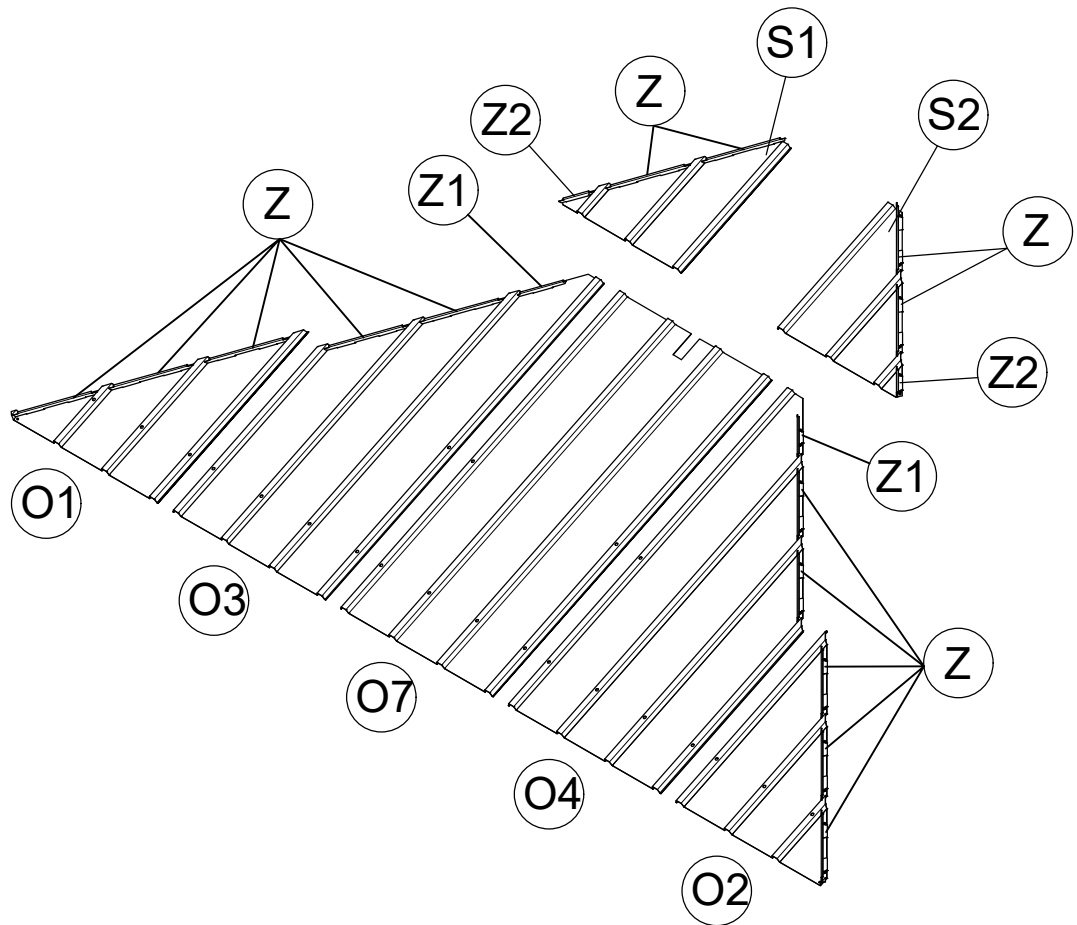
Z or Z1 or Z2



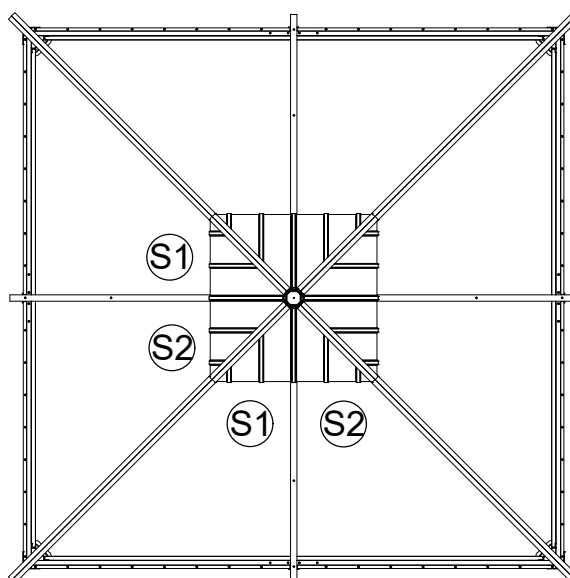
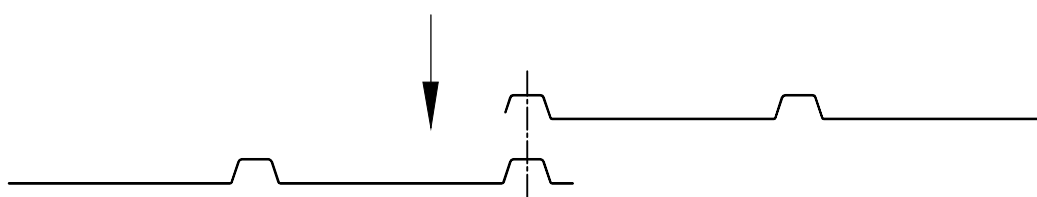
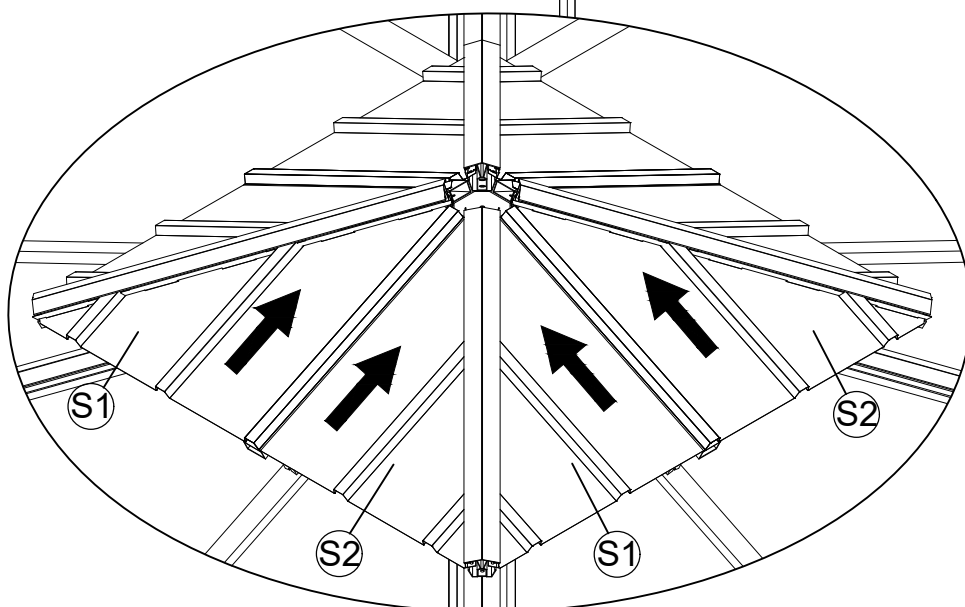
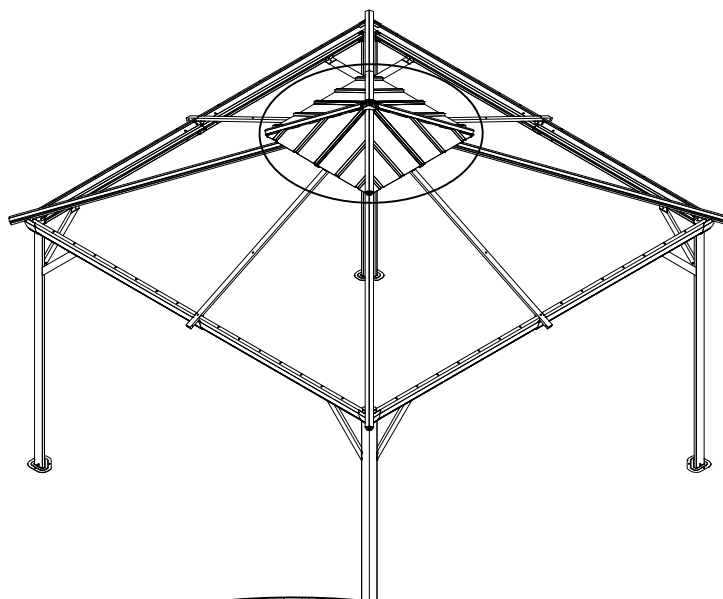
Z or Z1 or Z2

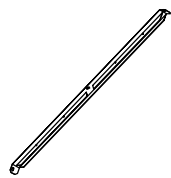


Z or Z1 or Z2



<10>





G1 4x



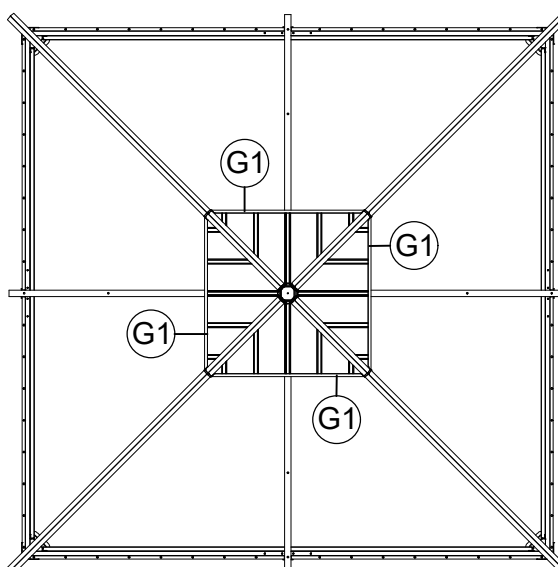
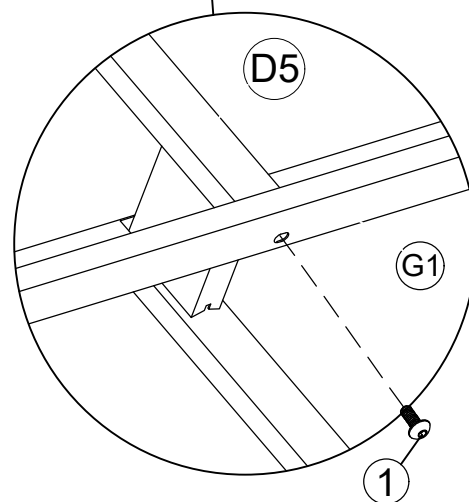
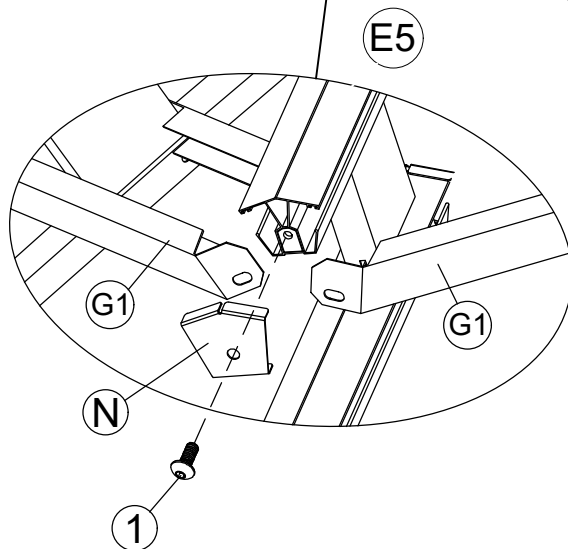
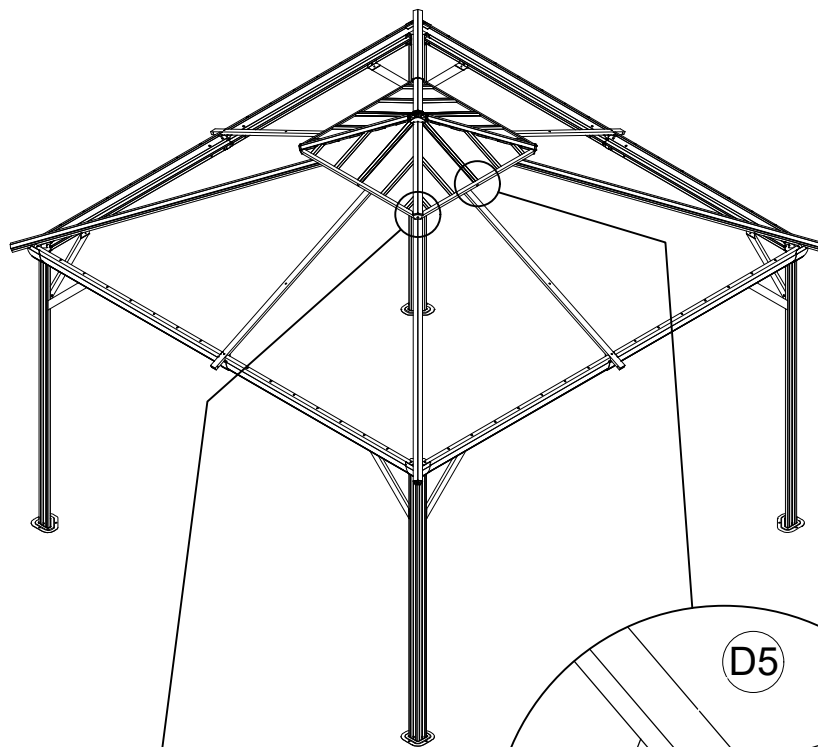
N 4x

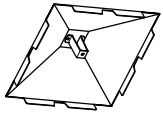


M6x15

1 8x

<11>



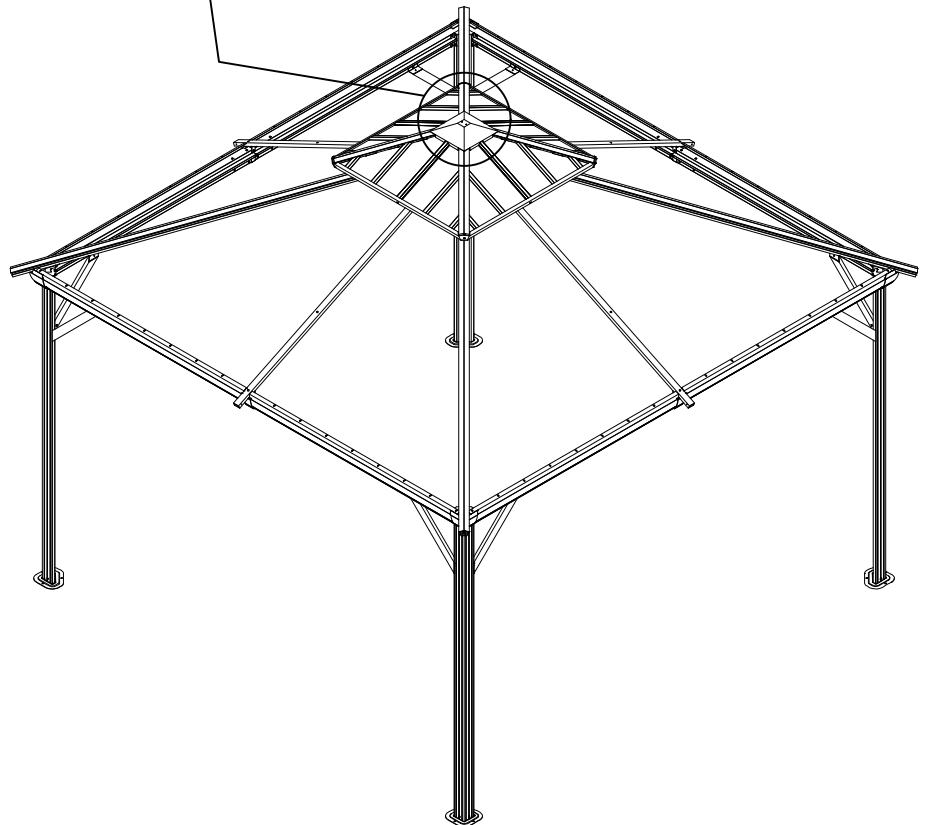
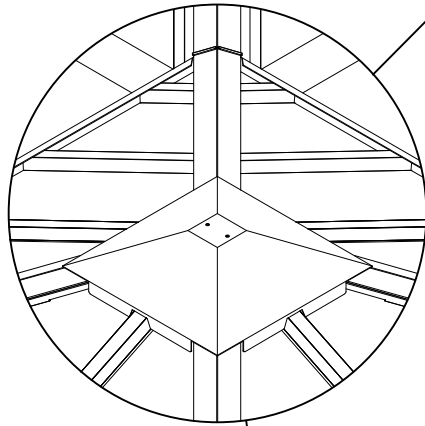
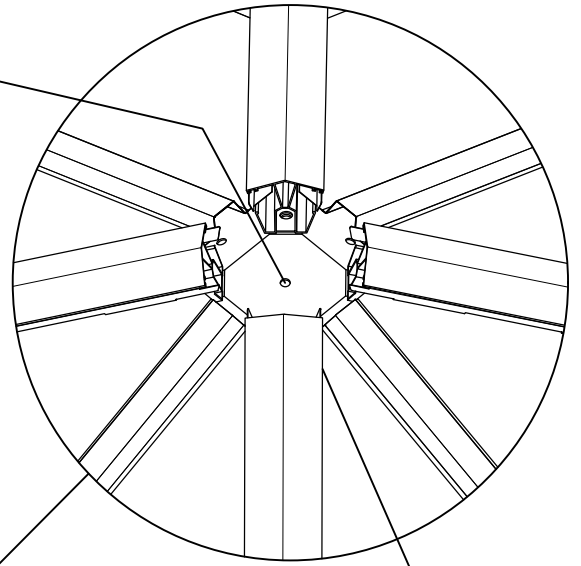
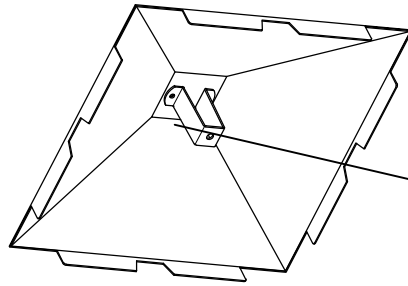


<12>

M1 1x



5 1x



<13>



F7 4x

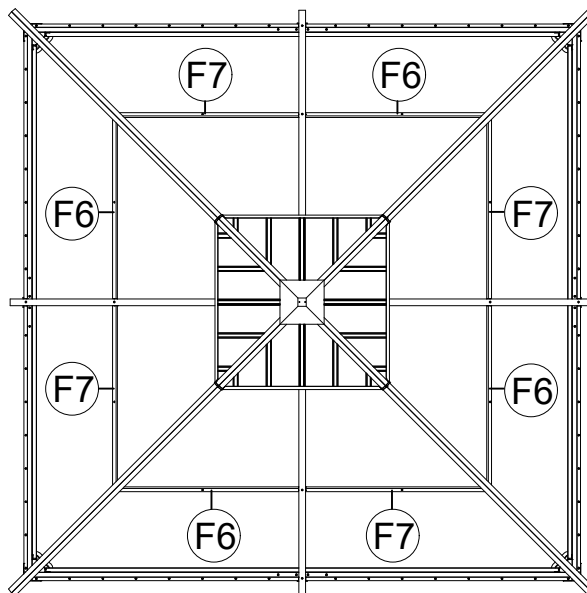
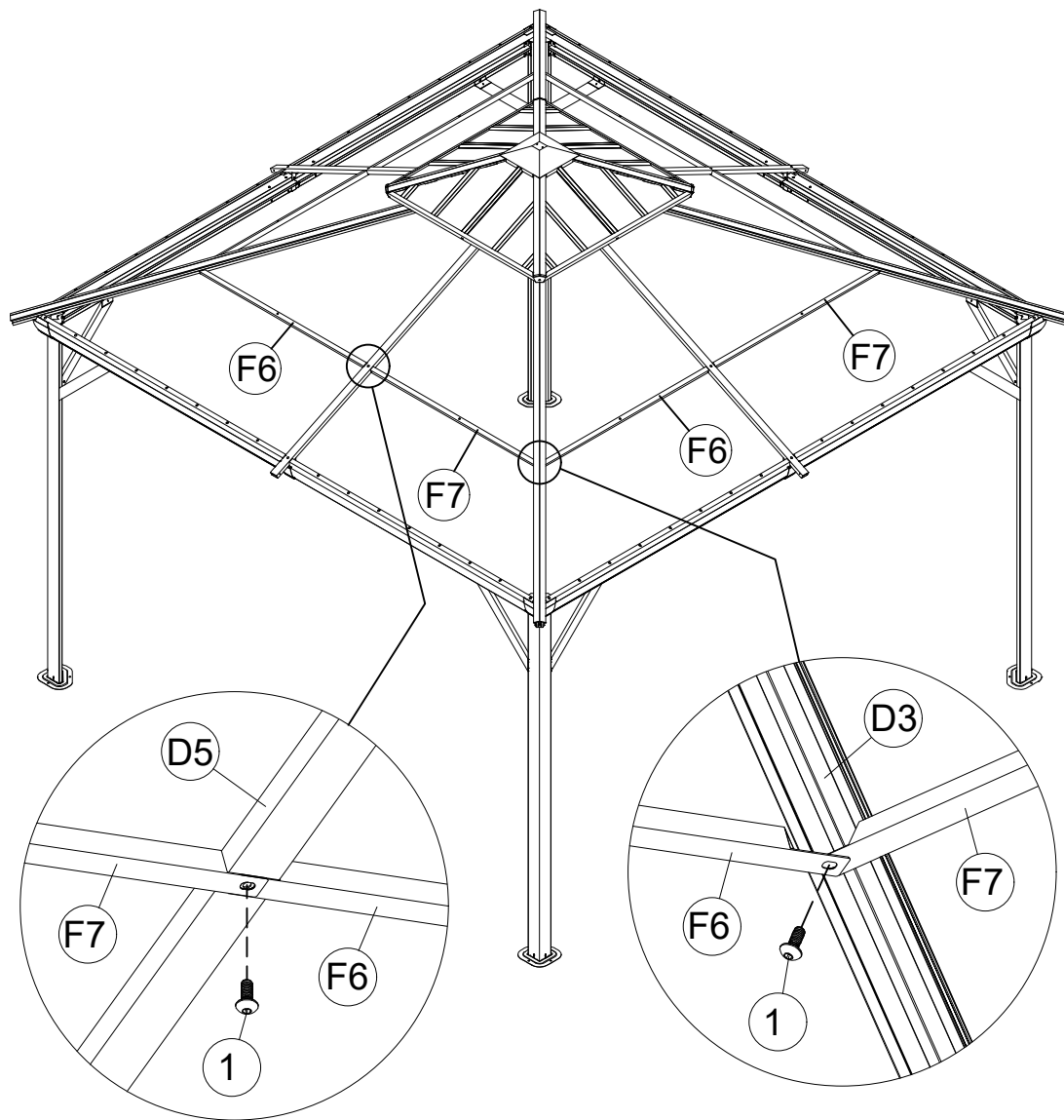


F6 4x



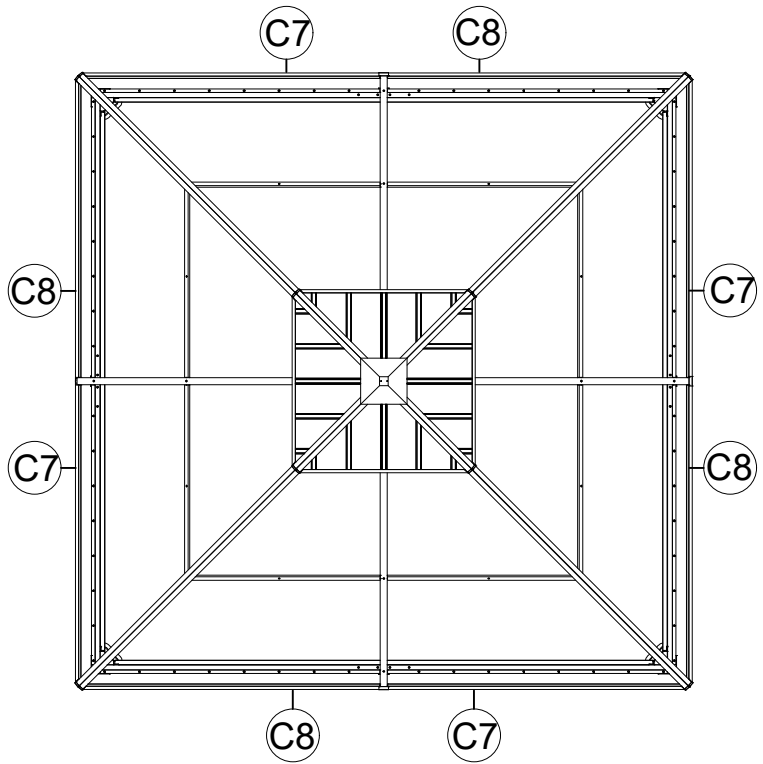
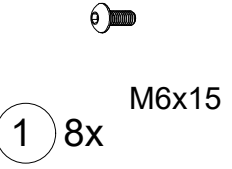
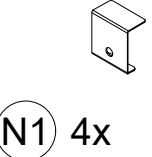
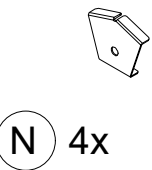
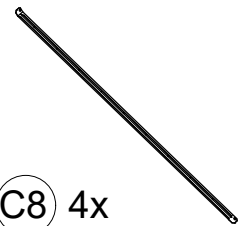
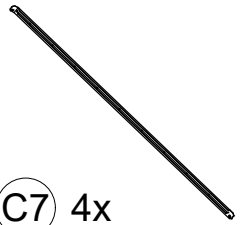
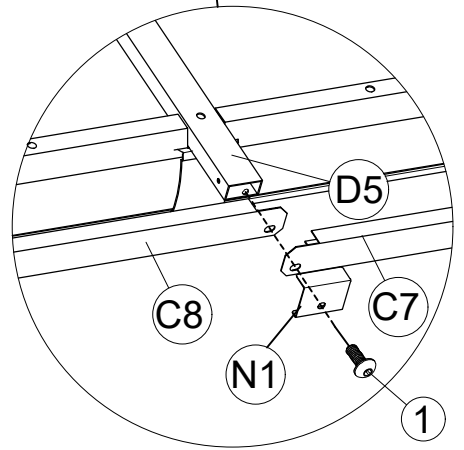
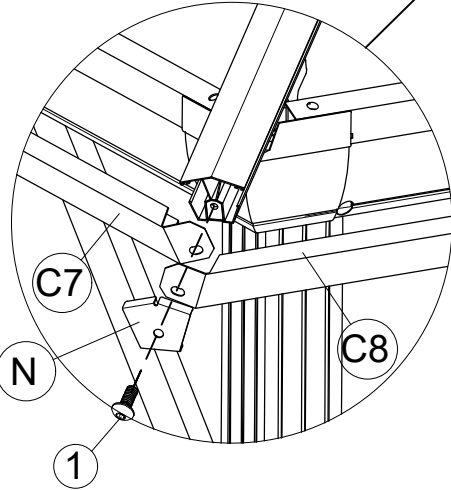
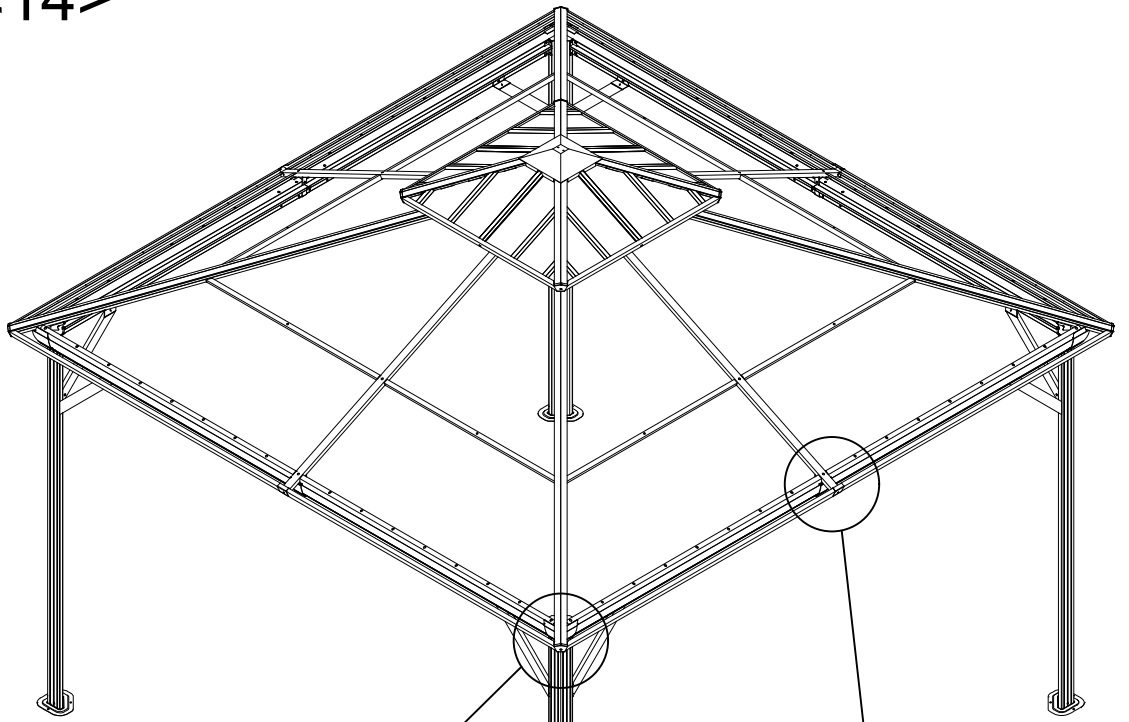
M6x15

1 8x

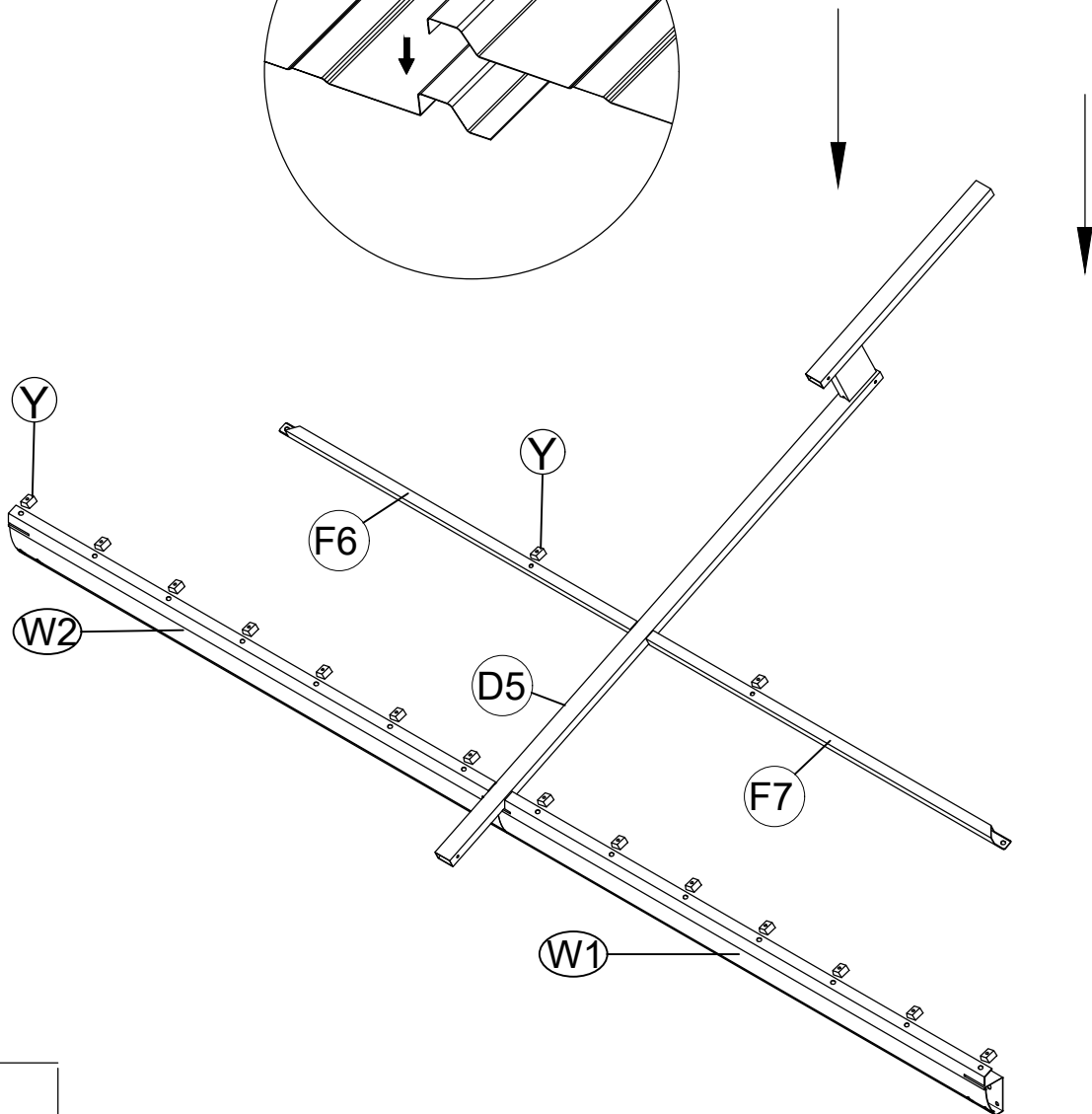
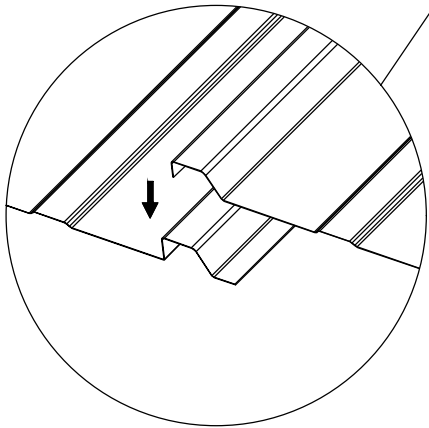
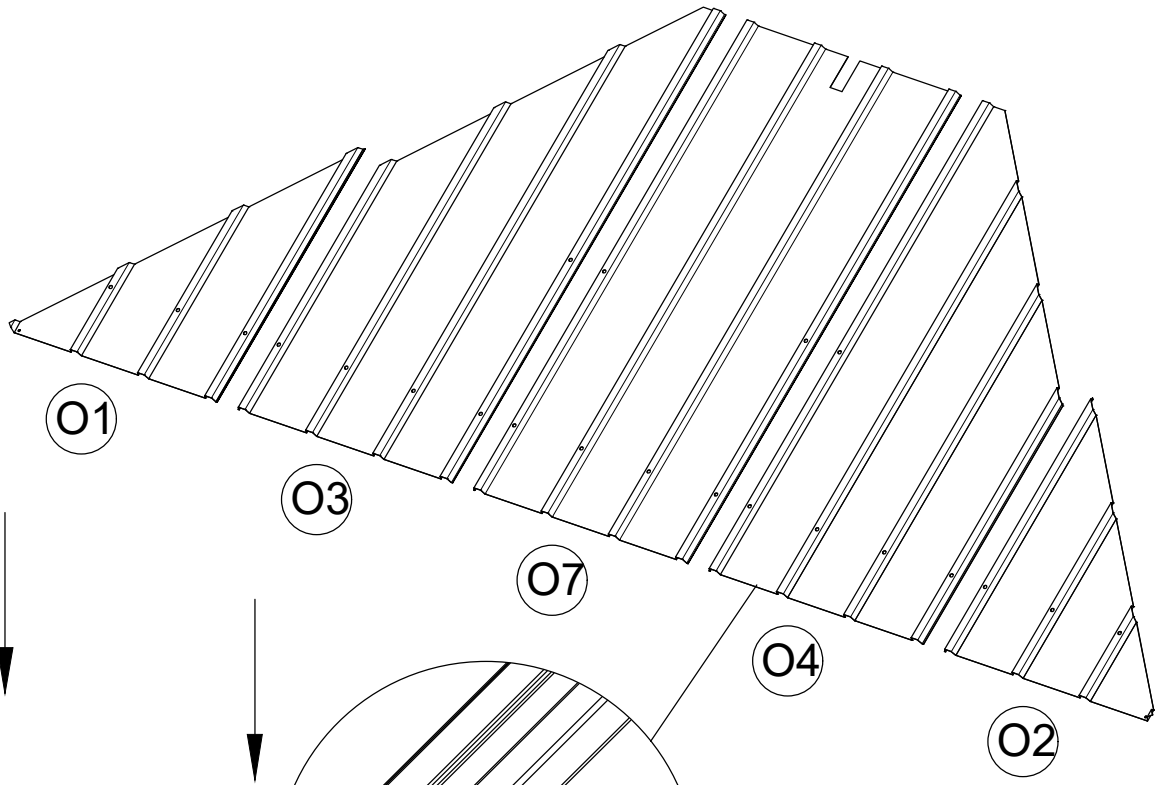




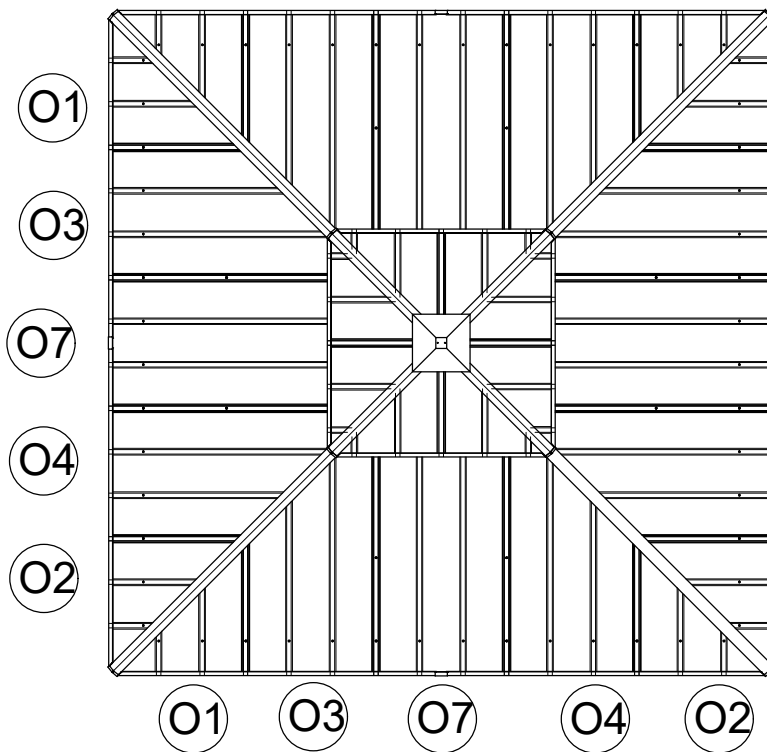
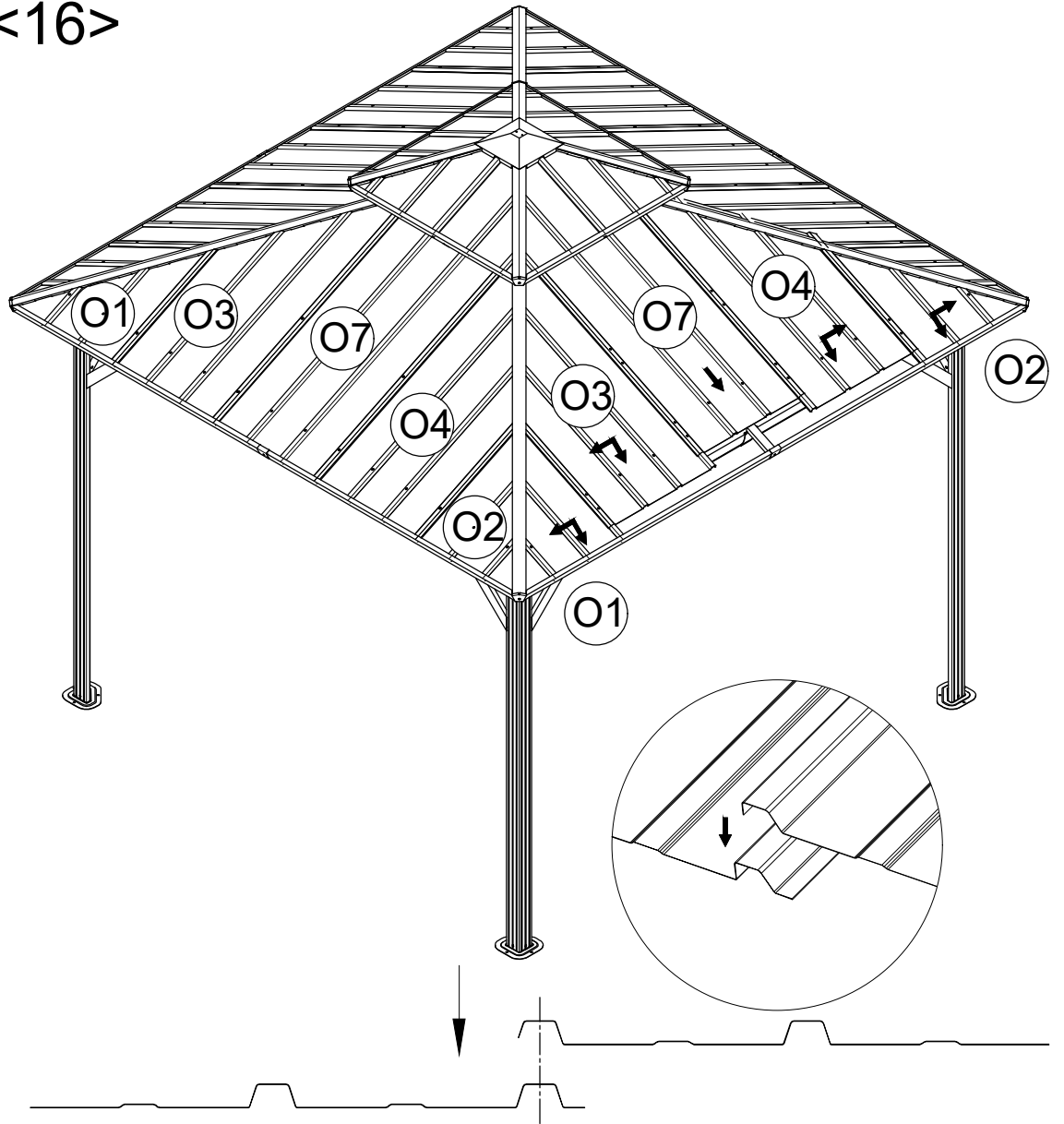
<14>



<15>



<16>





<17>

Y 64x



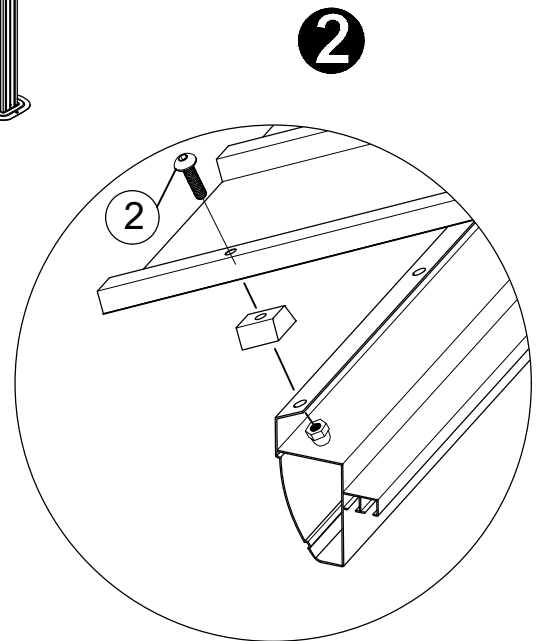
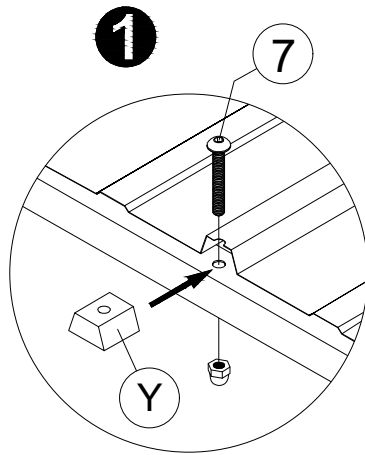
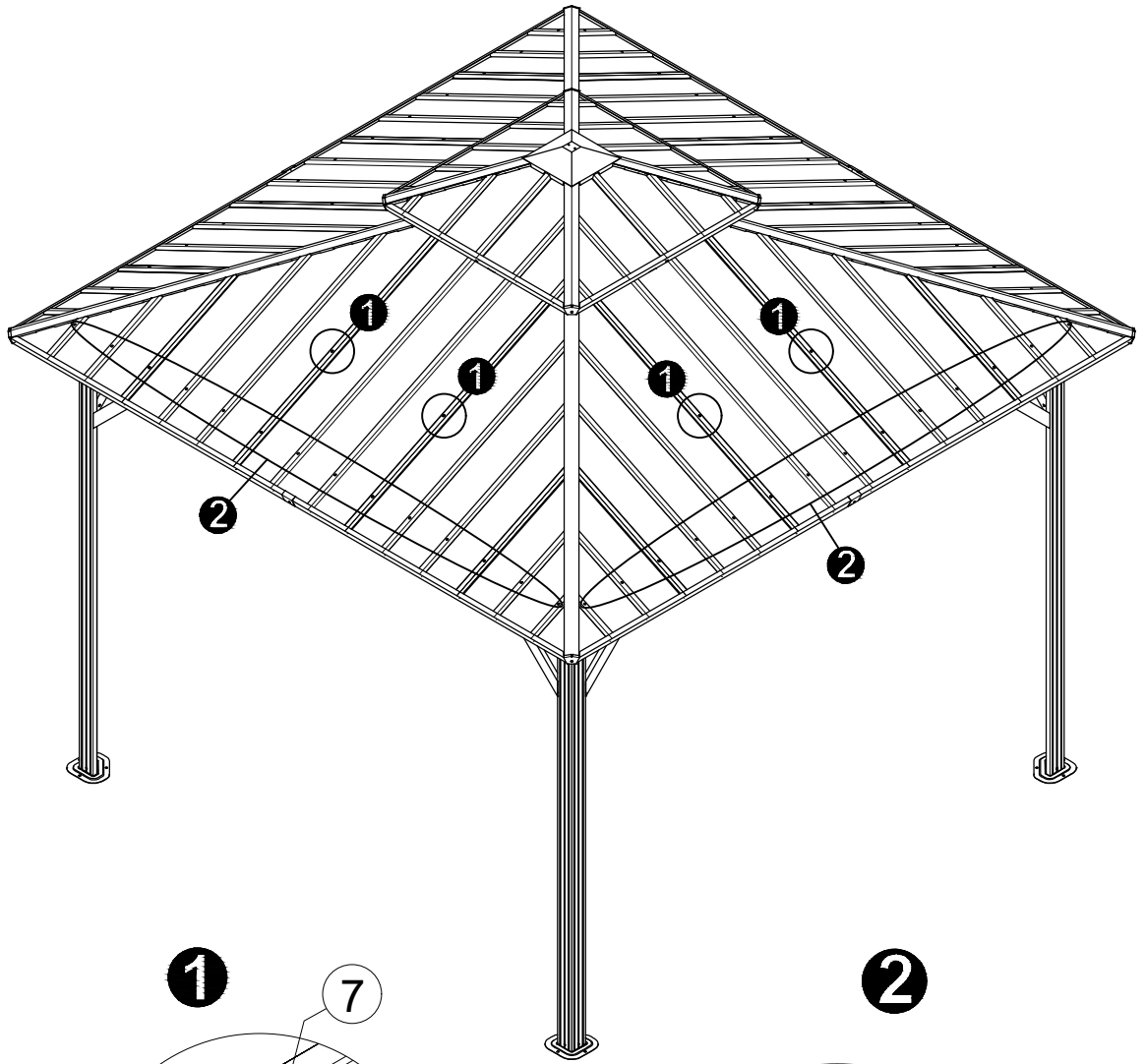
M6x23

2 56x

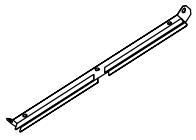


M6x45

7 8x



Note: When installing the roof top plates, if the roof plates are slightly uneven, please press the screws from the top of the plates until the bottom screw thread is exposed by 3 to 4mm, and then screw on the nut.

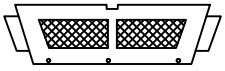


<18>

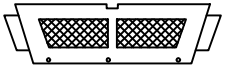
(I1) 4x



(N) 4x



(V1a) 2x



(V1b) 2x



M6x15

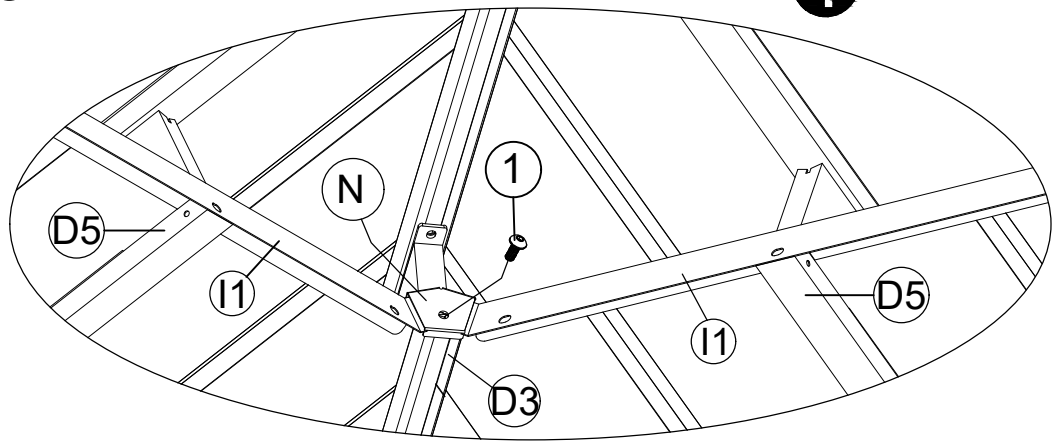
(1) 8x



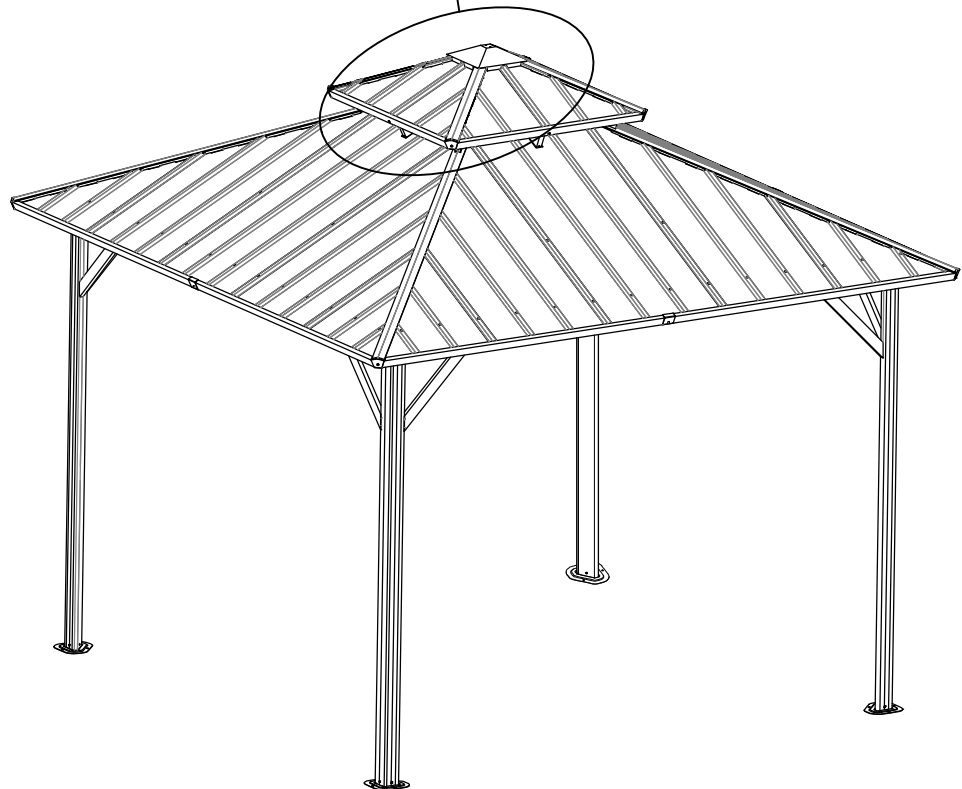
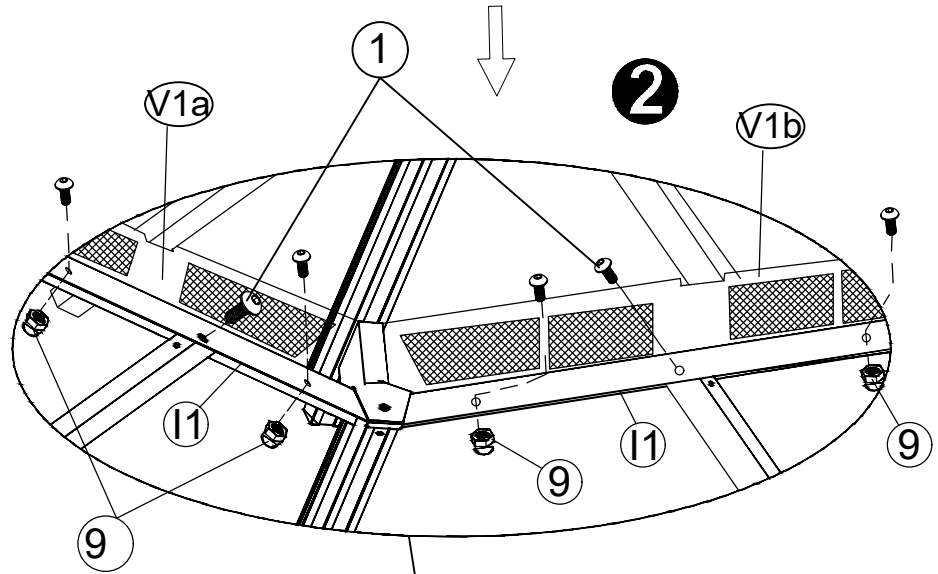
M6x10

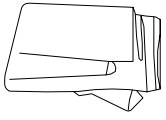
(9) 8x

1



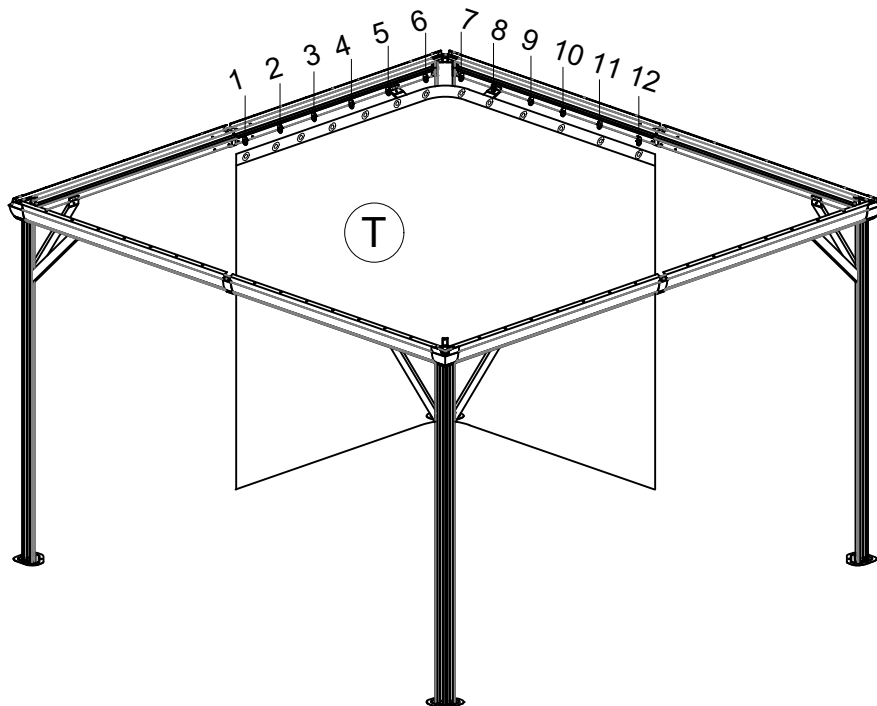
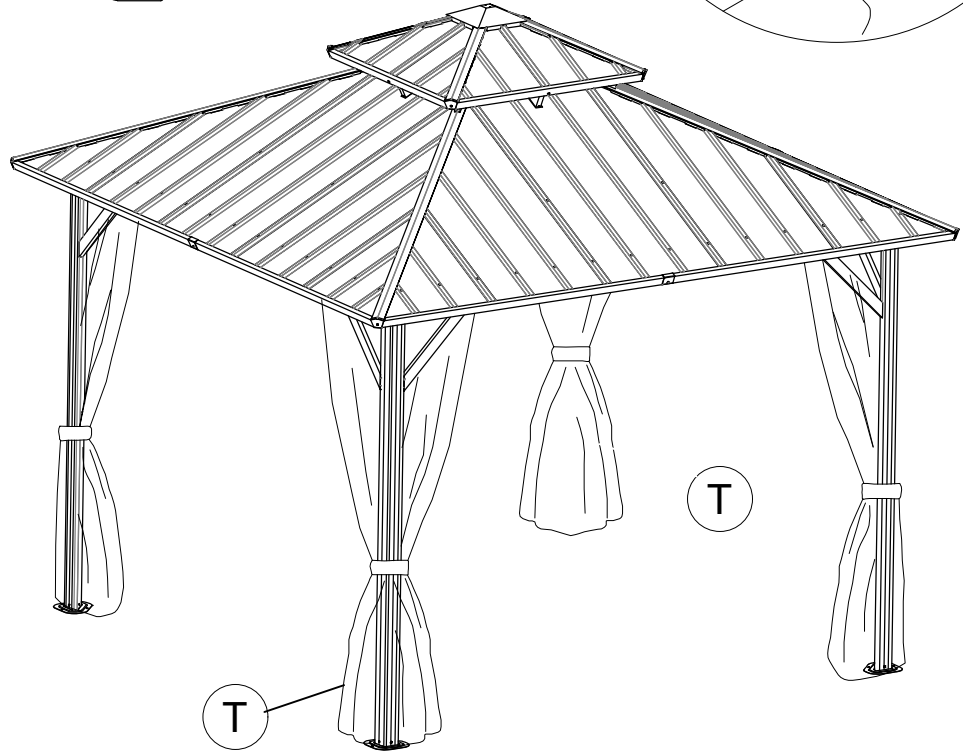
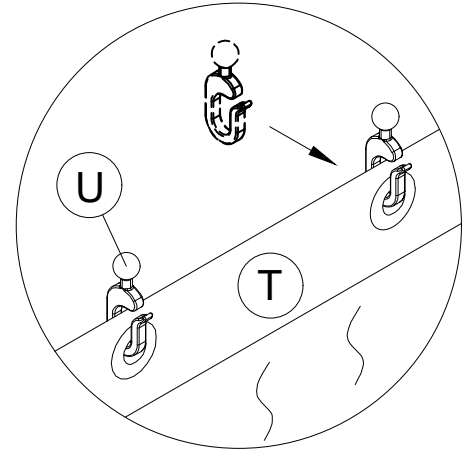
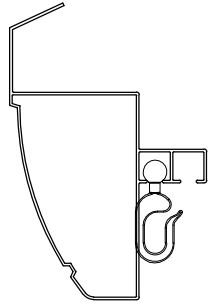
2

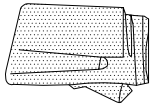




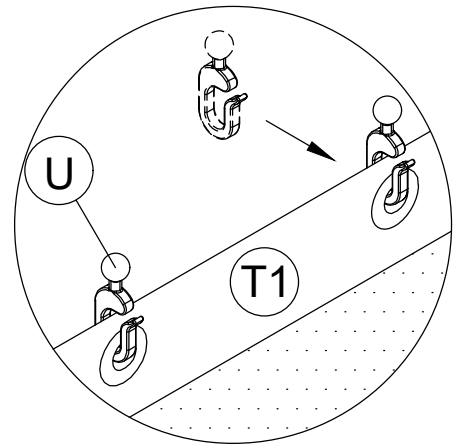
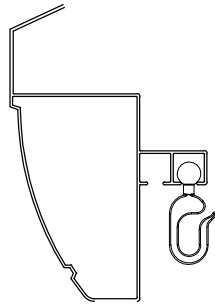
<19>

T 4x

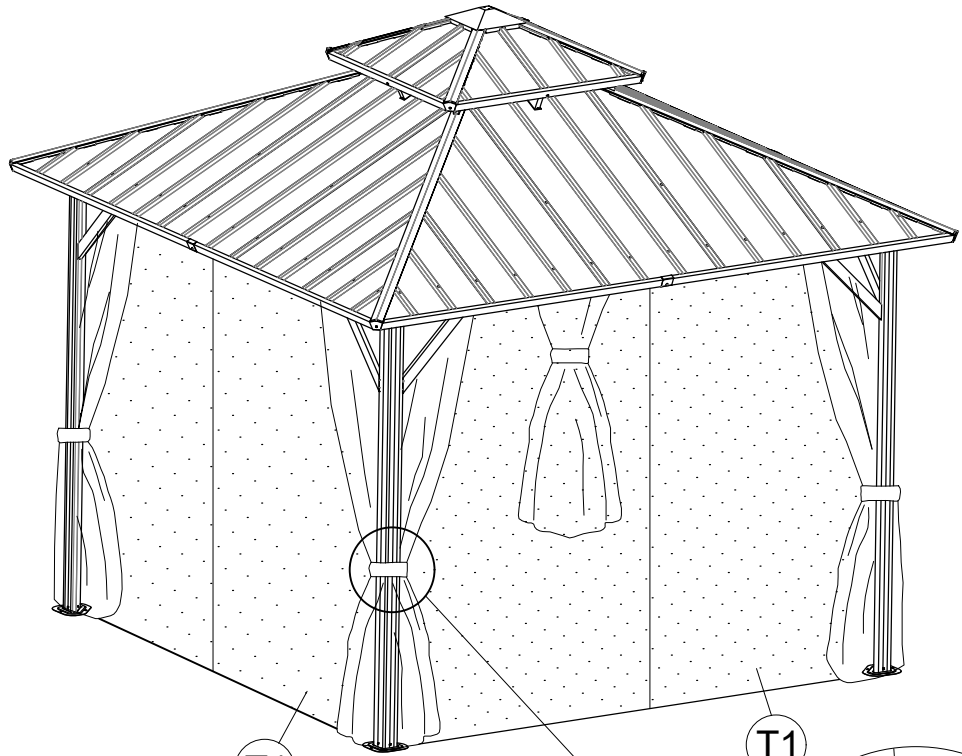




<20>



T1 4x



T1

T1

