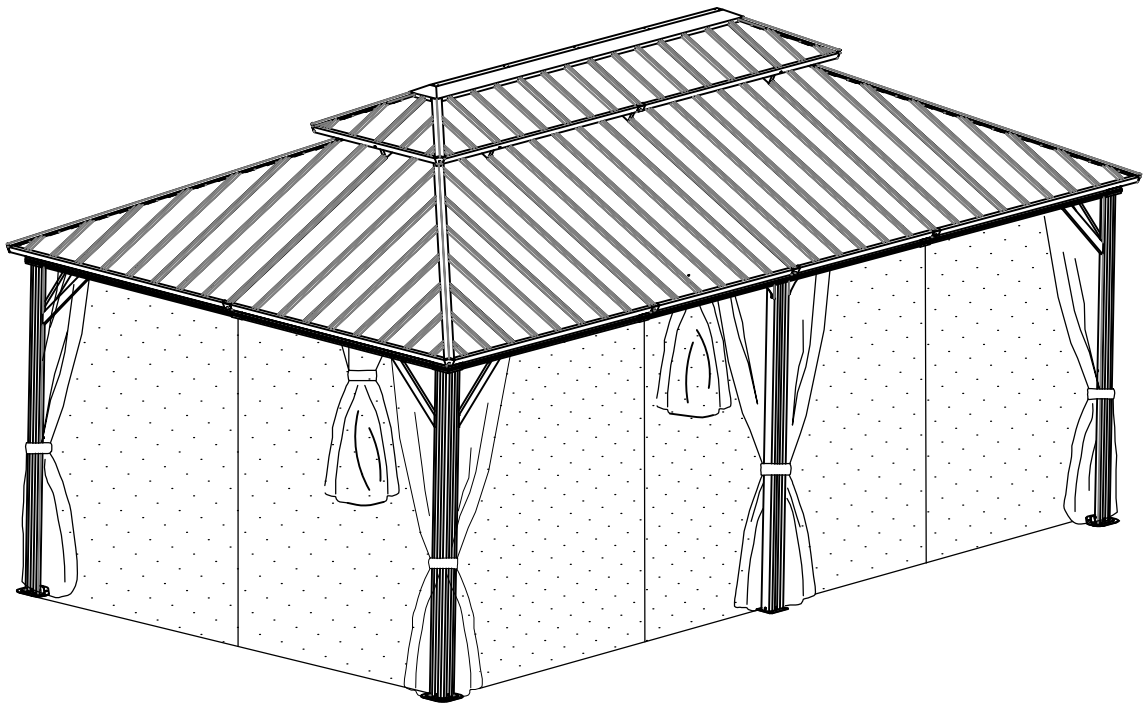


12 x 20FT

||||| WQG-026 |||||





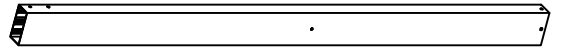
A 4x



B1 4x



B2 4x



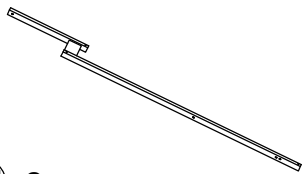
A1 2x



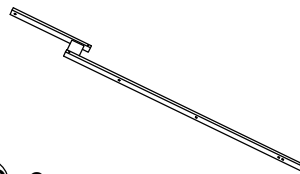
B7 2x



D 4x



D1 2x



D2 6x



C1 4x



C2 4x



C4 4x



F1 4x



F2 4x



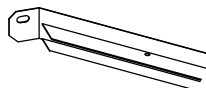
F4 4x



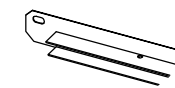
F8 3x



G1 2x



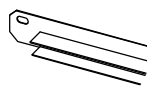
G5 2x



G6 2x



I1 2x

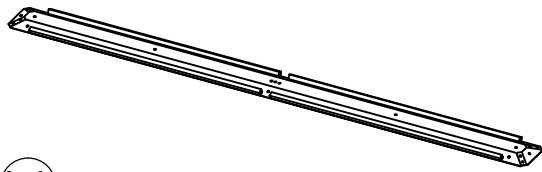


I5 2x

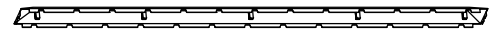


I6 2x





L4 1x



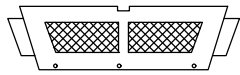
M4 1x



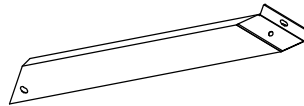
V4a 2X



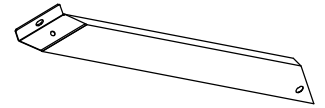
V4b 2x



V1 2x



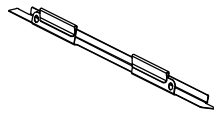
H 4x



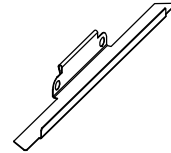
H1 4x



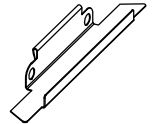
E5 4x



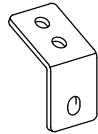
Z 64x



Z1 8x



Z2 8x



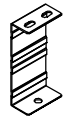
Q1 8x



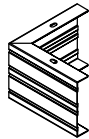
N 12x



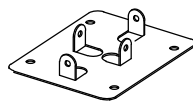
N1 10x



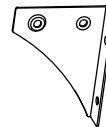
K1 6x



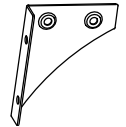
K 4x



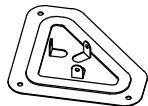
J1 2x



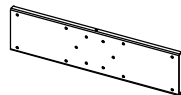
W1 2x



W2 2x



J 4x



P 6x



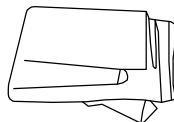
V 6x



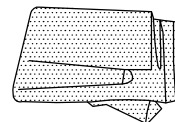
Y 96x



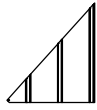
U 152x



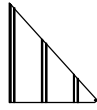
T 4x + 2x



T1 4x + 2x



X1 4x



X2 4x



X3 4x



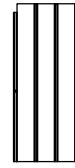
X4 4x



X5 4x



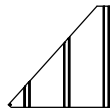
X6 4x



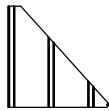
X7 4x



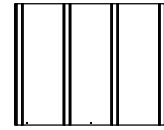
X8 4x



S1 4x



S2 4x



S3 8x



M6x15

1 245x



M6x23

2 84x



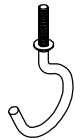
M6x25

3 16x



ST 4.8x12

4 8x



5 3x



M6x45

7 12x



8 16x

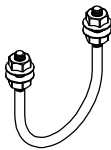


M6x10

9 12x



10 20x



11 1x



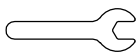
12 2x

4mm



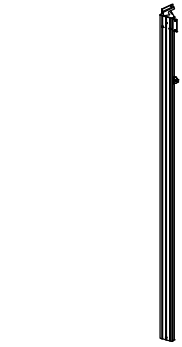
13 1x

6mm



14 1x

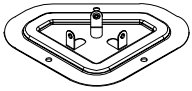
<1>



A 4x



A2 2x



J 4x



J1 2x



W1 2x



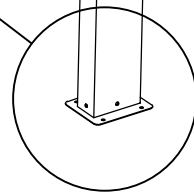
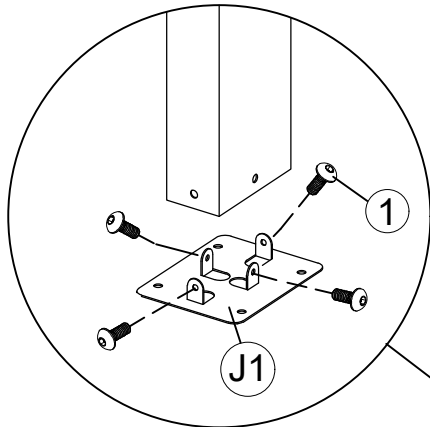
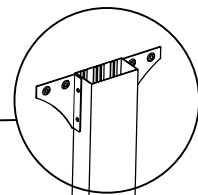
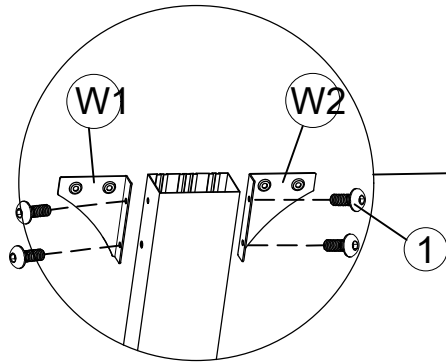
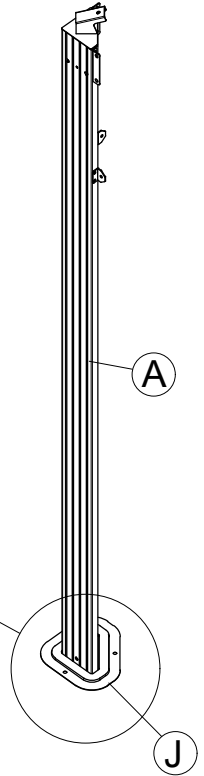
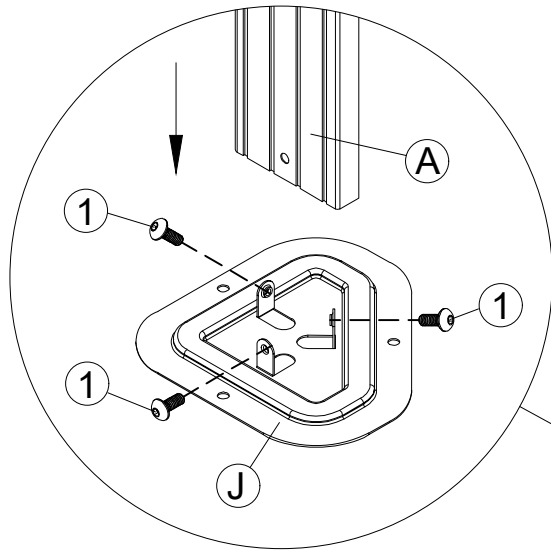
W2 2x



M6x15

1 28x

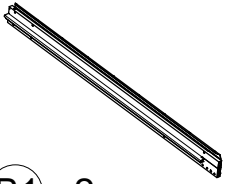
5



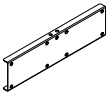
<2>



(B1) 2x



(B1) 2x

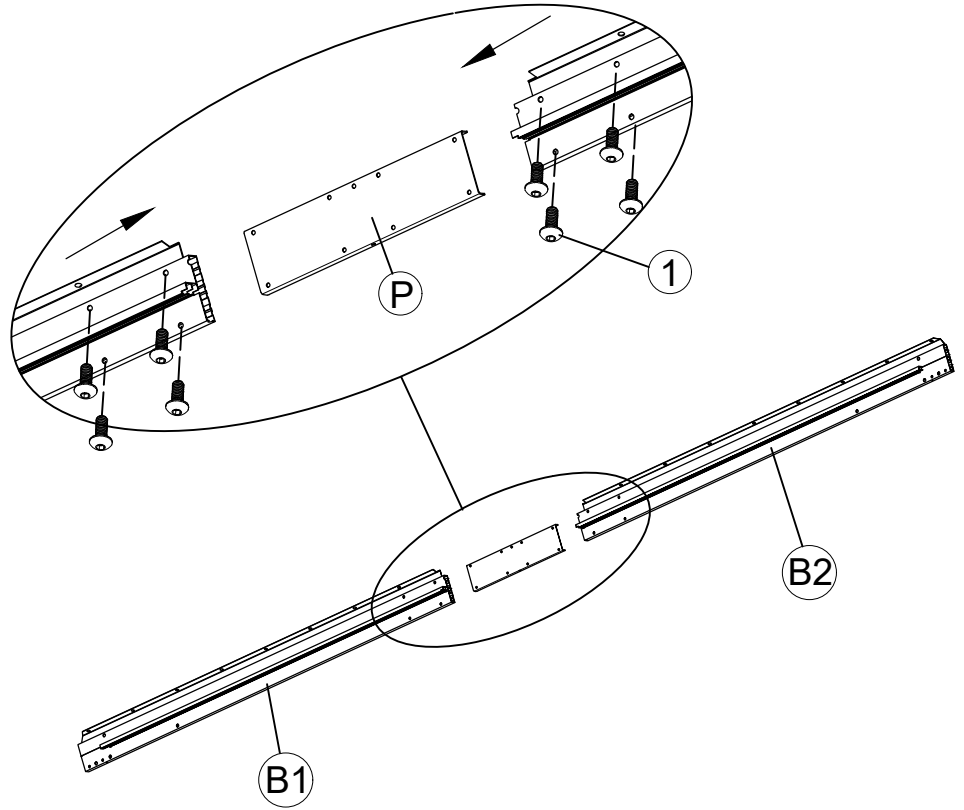


(P) 2x



M6x15

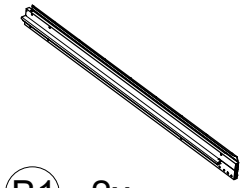
(1) 16x



<3>



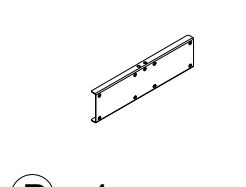
B1 2x



B1 2x



B7 2x

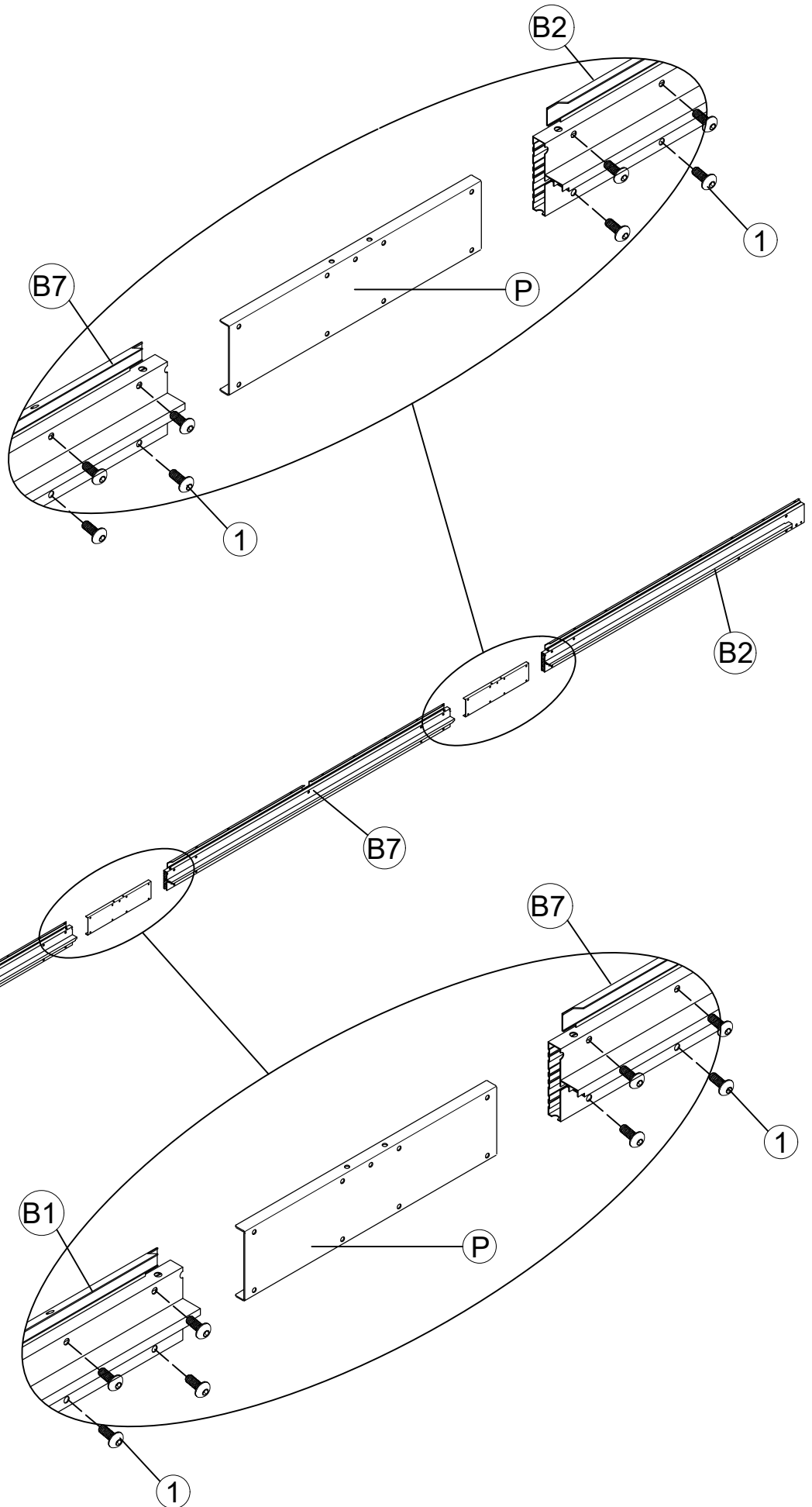


P 4x



M6x15

1 32x



<4>

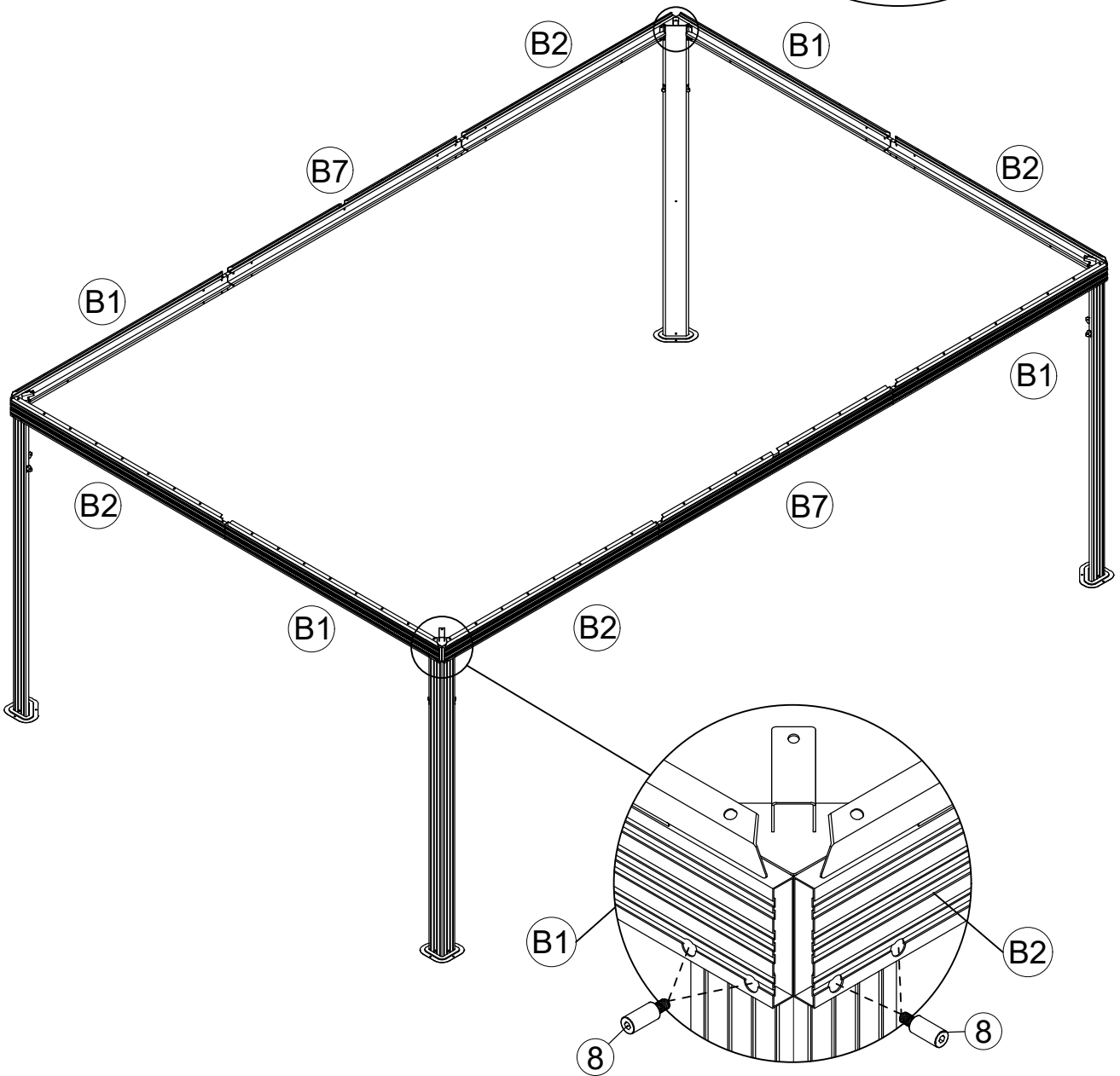
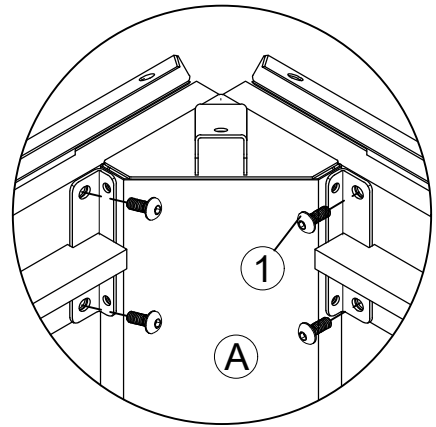


8 4x

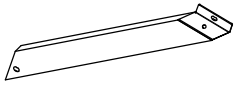


M6x15

1 16x

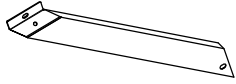


8



<5>

(H) 4x

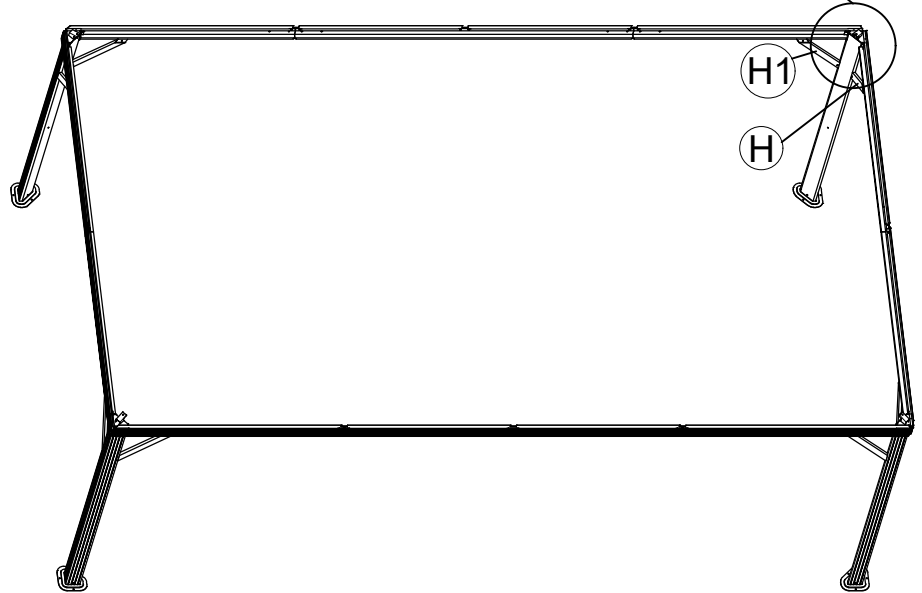
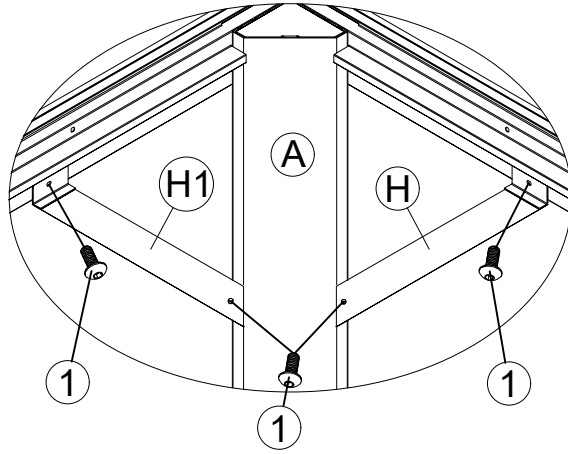


(H1) 4x

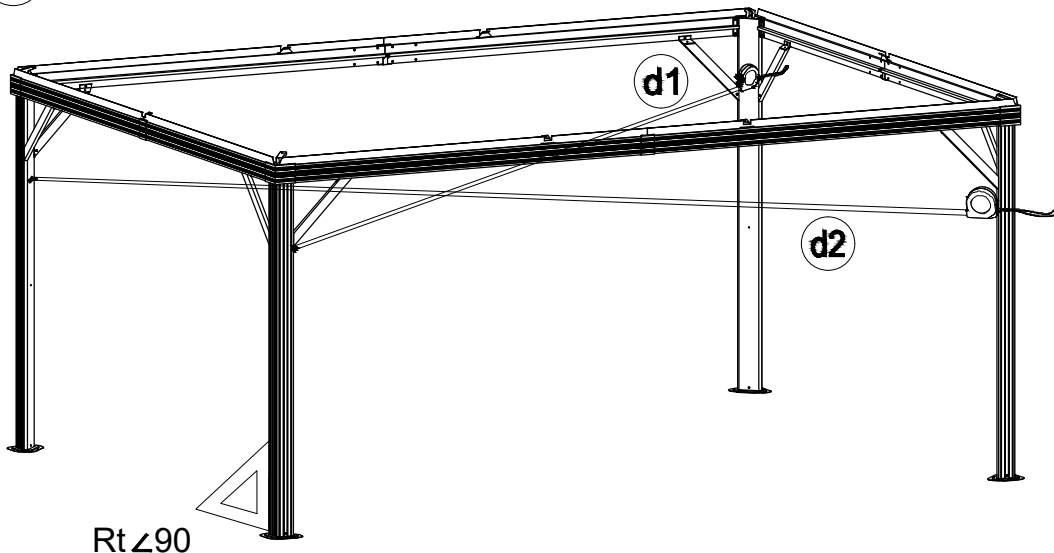


M6x15

(1) 16x



(i) $d1=d2$

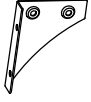


Tips: Please measure to make sure the length of d1 is equal to d2 before moving to next step to ensure a square frame and best results. Keep the beam at right angles to the post, the post at right angles to the ground, and keep the beam horizontal.

<6>



W1 2x



W2 2x

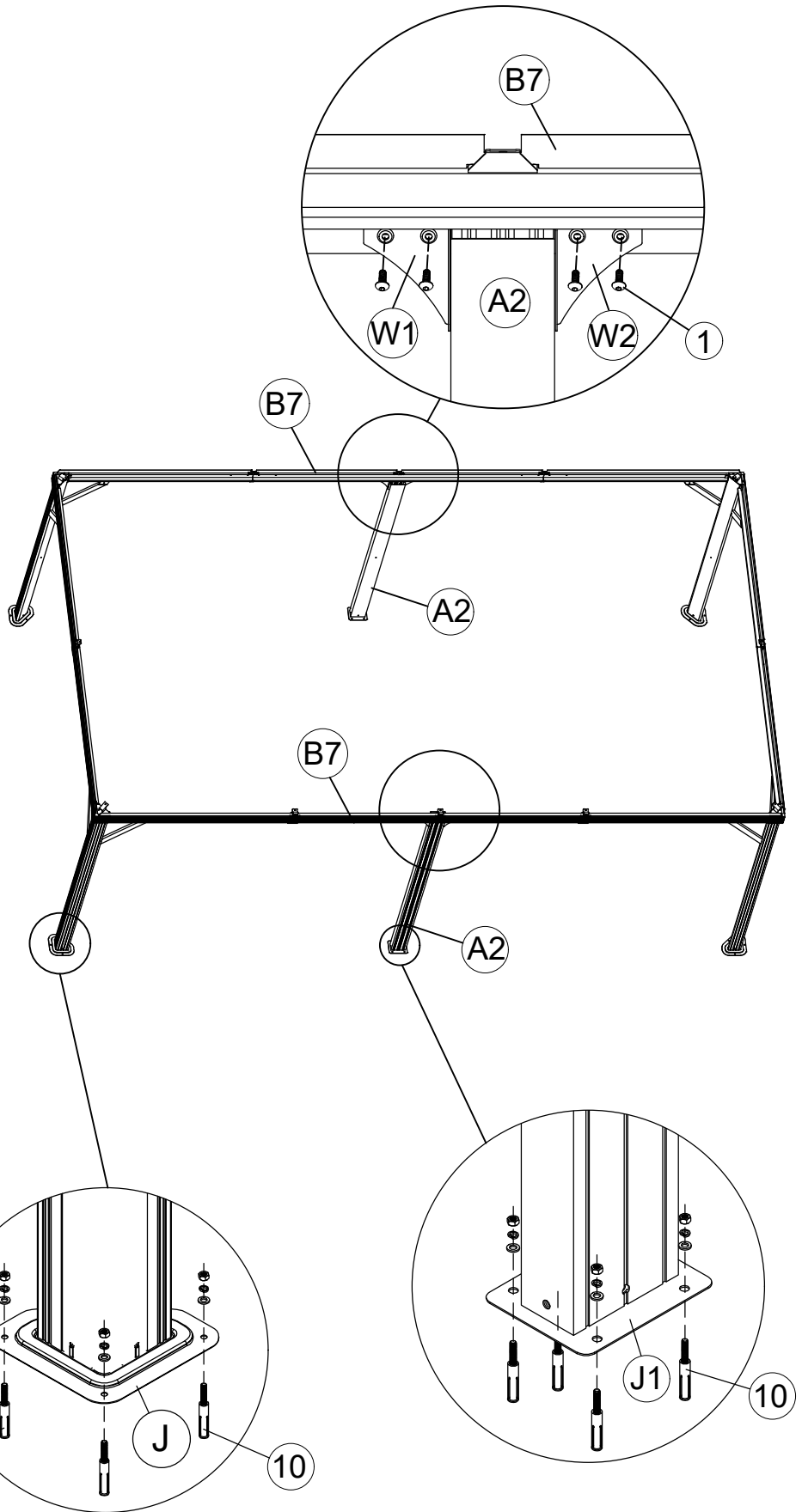


M6x15

1 8x

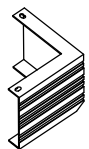


10 20x

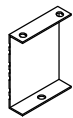


10

<7>



(K) 4x



(K1) 6x



(U) 152x



(V) 6x



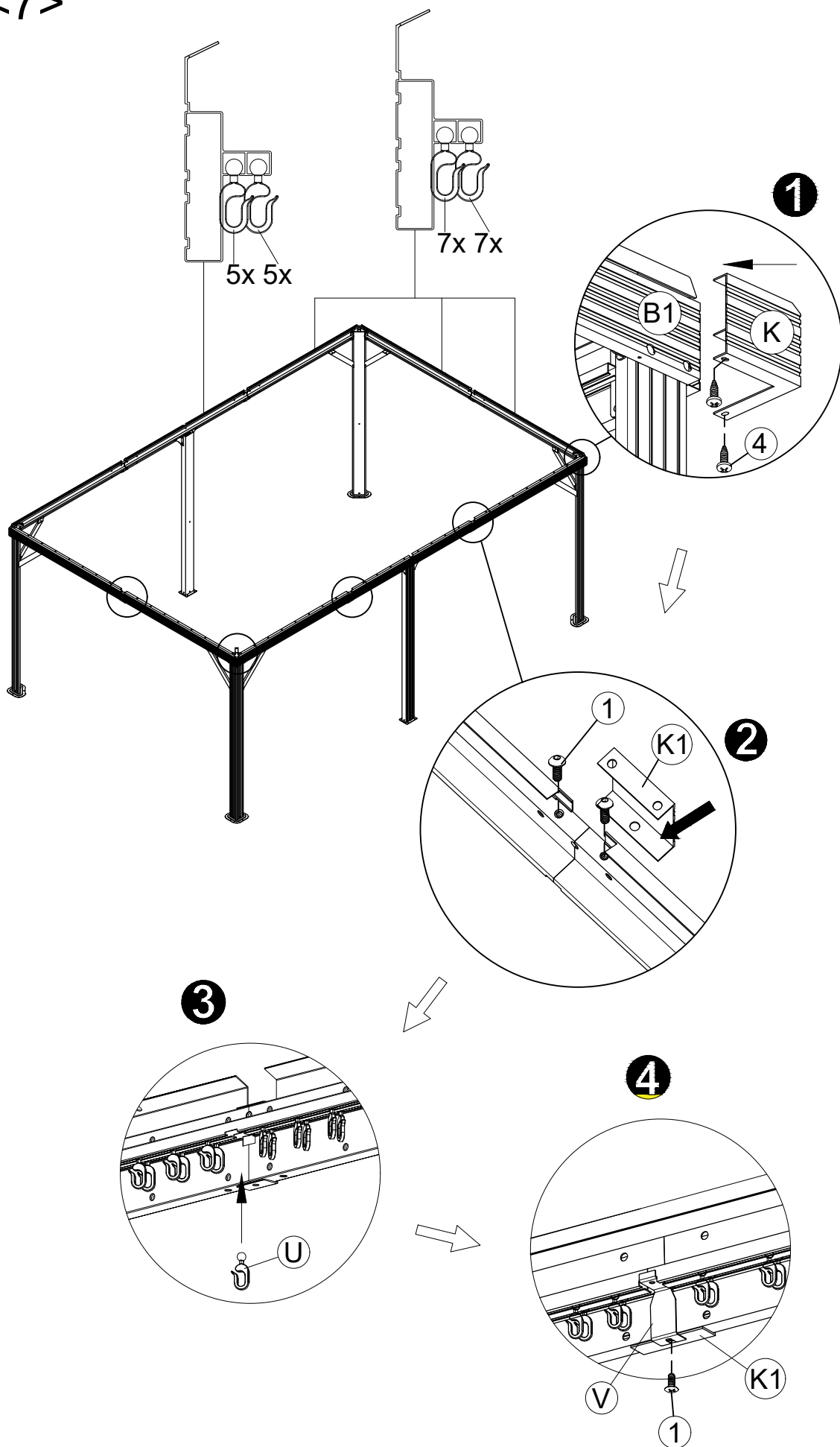
M6x15

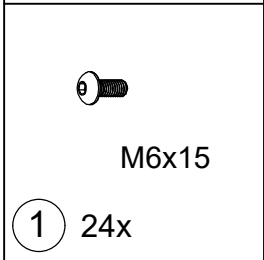
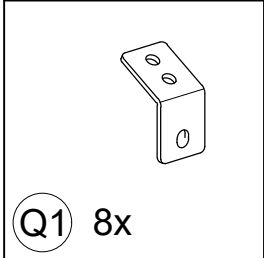
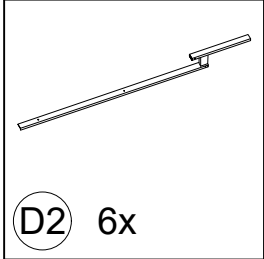
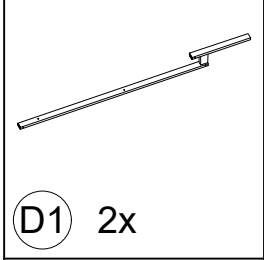
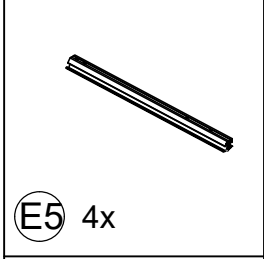
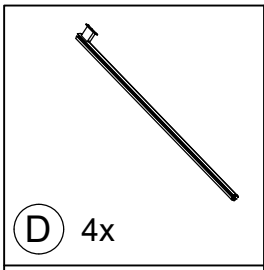
(1) 18x



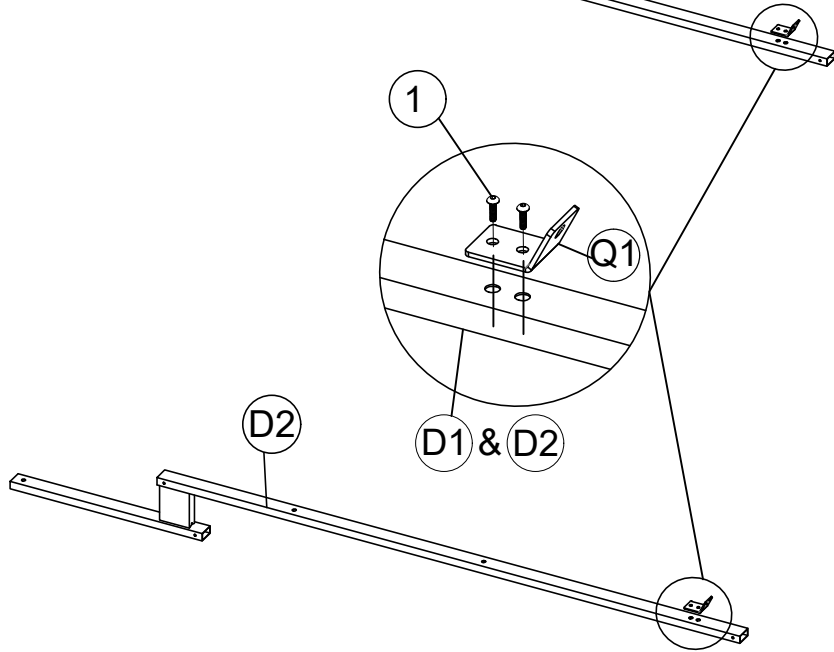
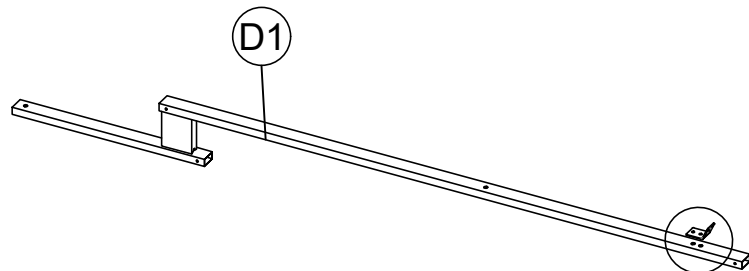
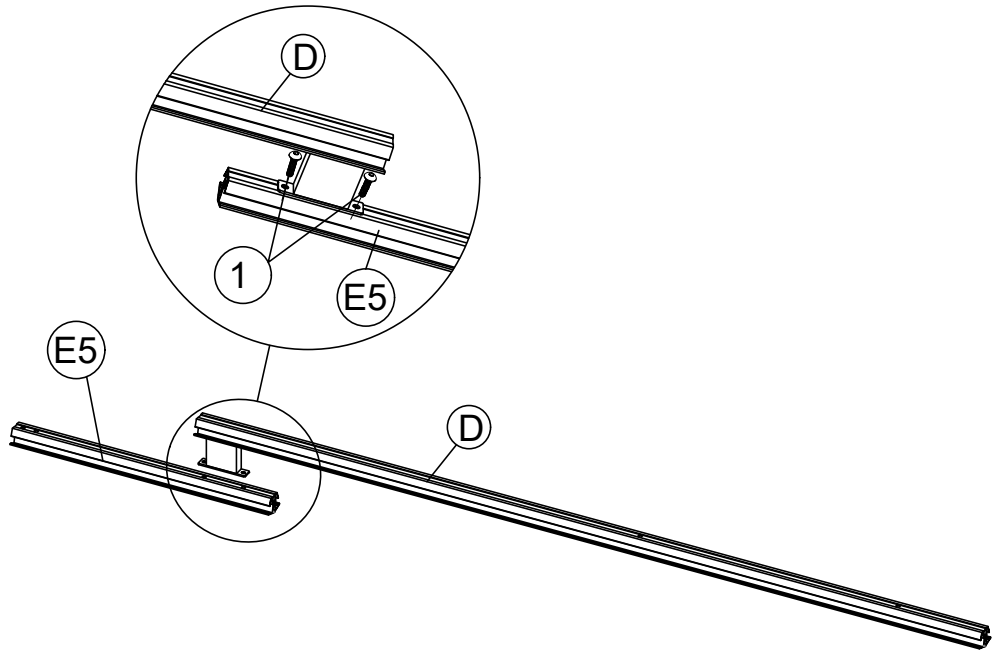
ST4.8x12

(4) 8x





<8>



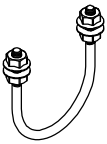


M6x15

① 12x

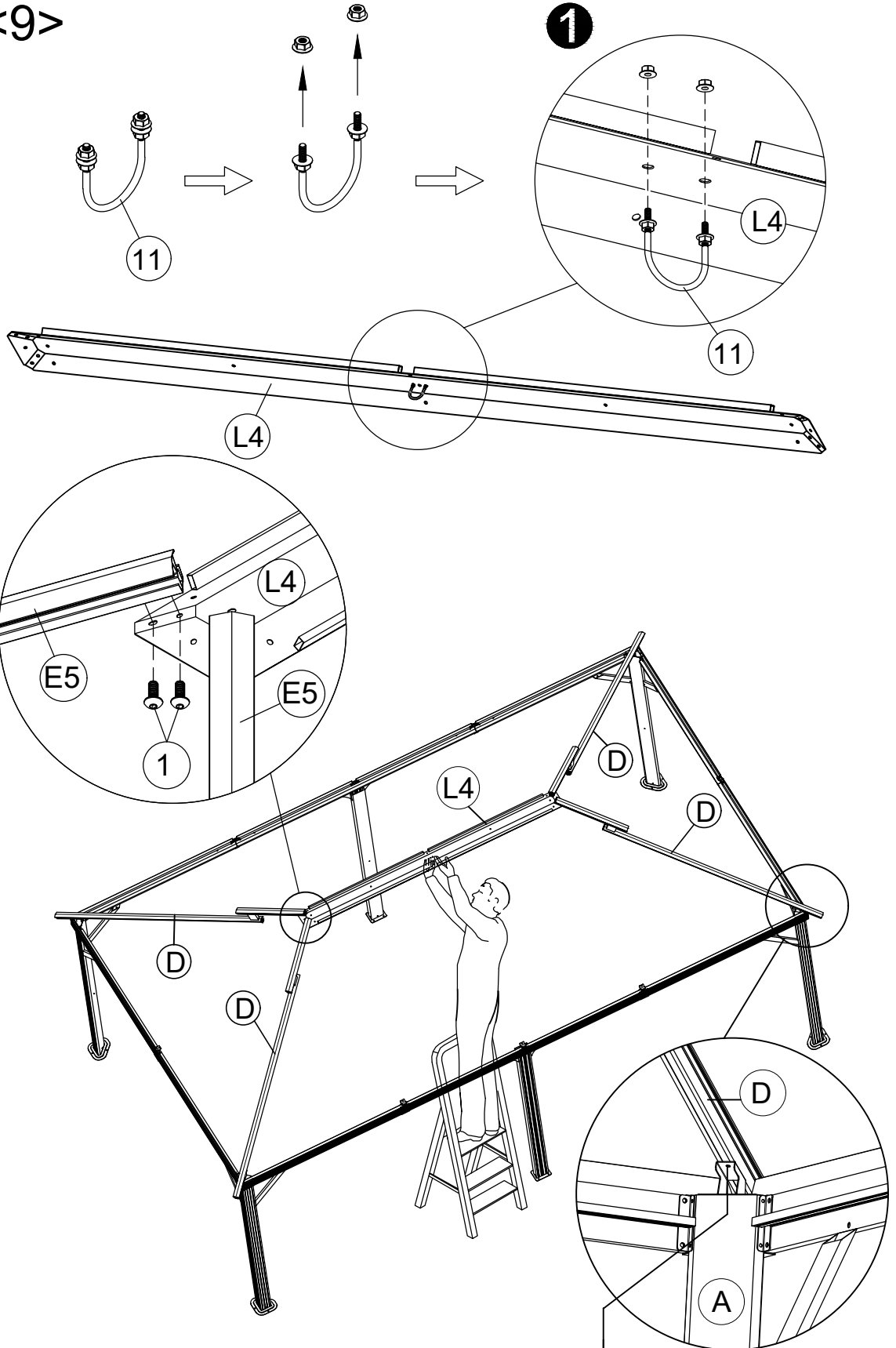


L4 1x



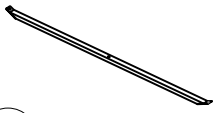
① 1x

<9>



Note:

1. Let one person stand on the ladder to lift "L4" and hold and let others fasten the screws connecting both ends of "E5" & "D".
2. Please do not let go of holding "L4" until all the "E5" & "D" screws are installed.



F8 3x



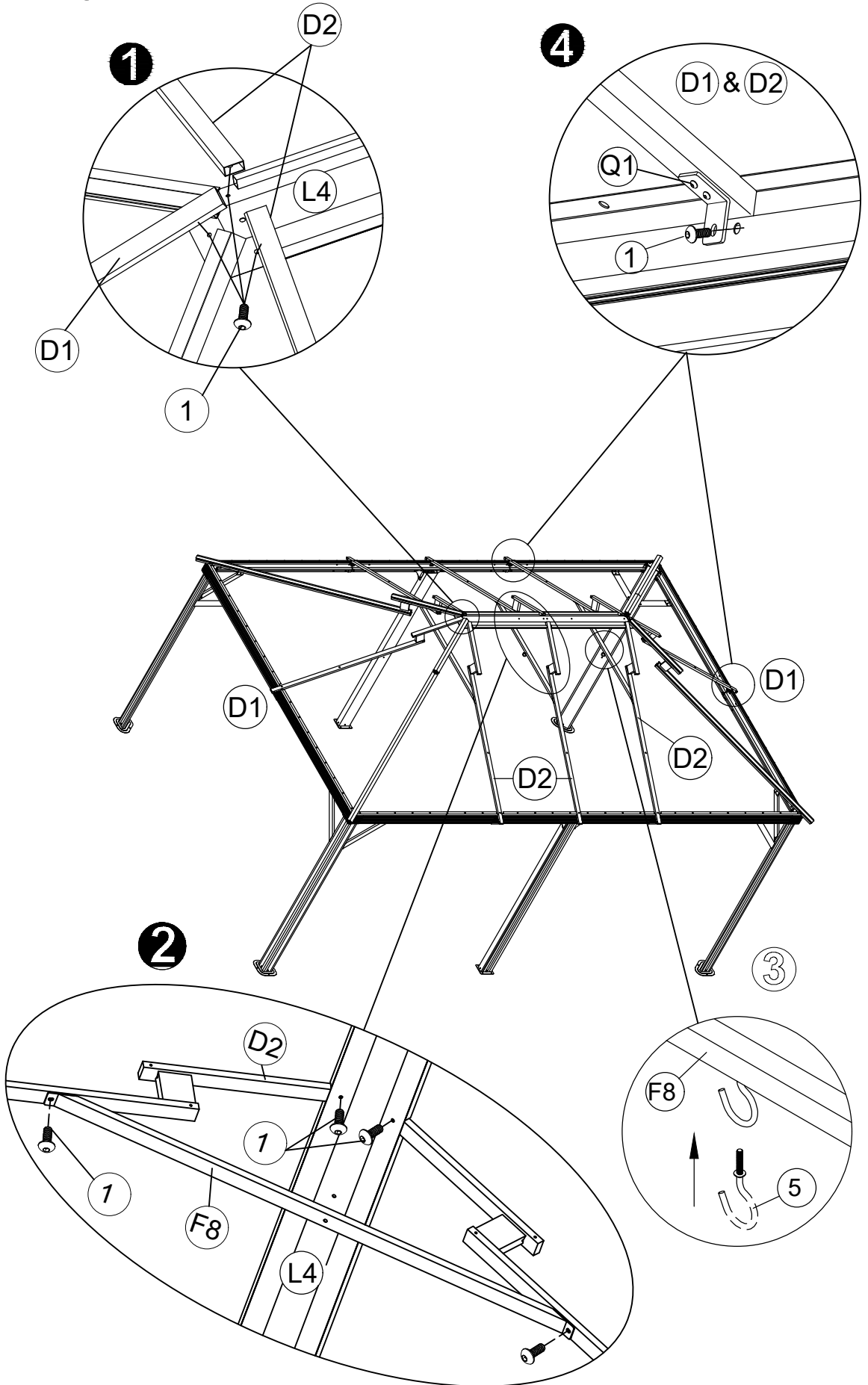
5 3x



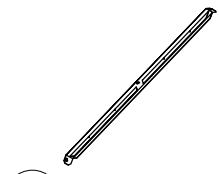
M6x15

1 22x

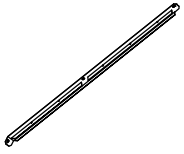
<10>



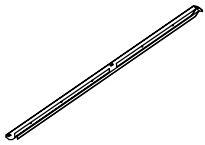
<11>



G1 2x



G5 2x



G6 2x



N 4x

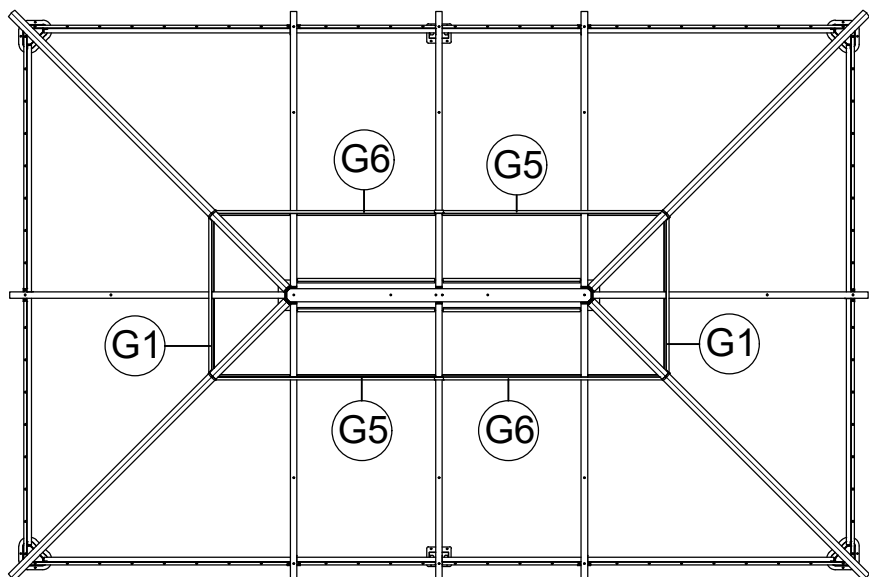
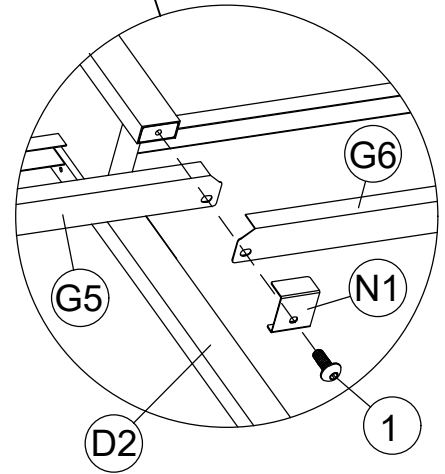
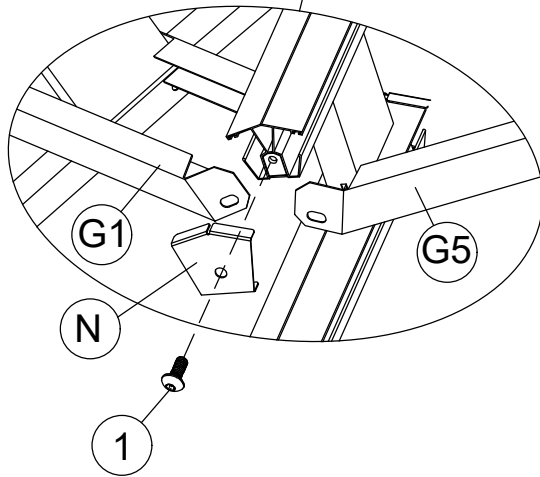
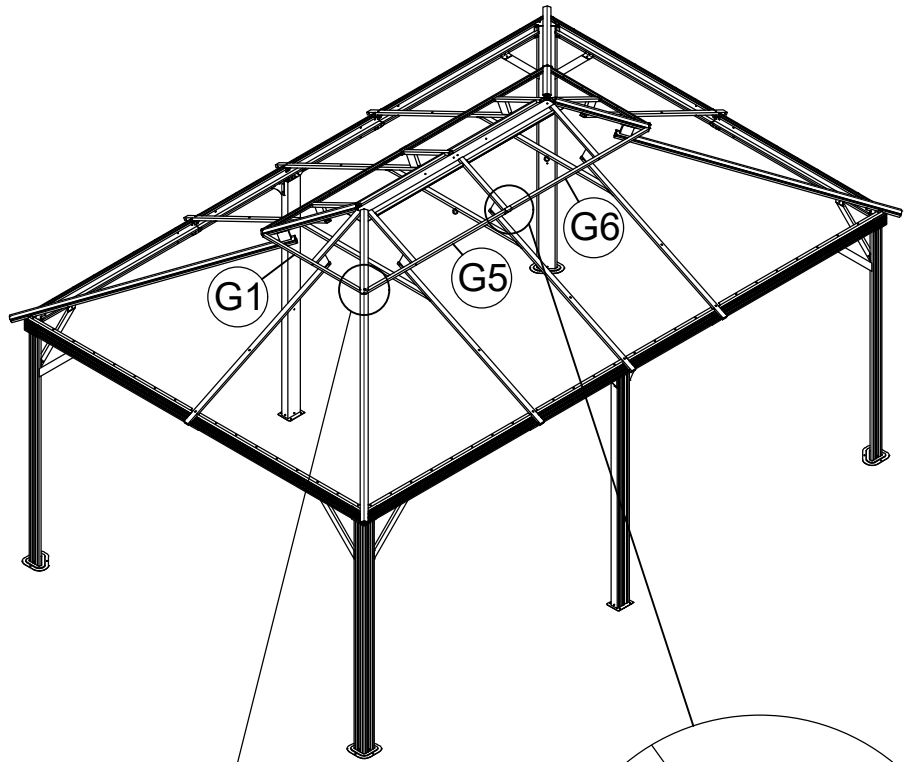


N1 2x



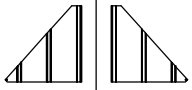
M6x15

1 12x

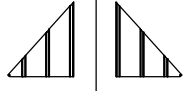


15

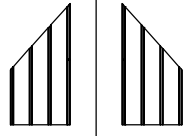
<12>



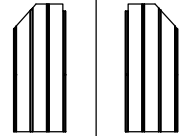
S1 2x S2 2x



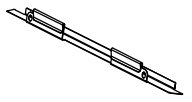
X1 2x X2 2x



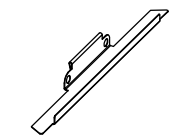
X3 2x X4 2x



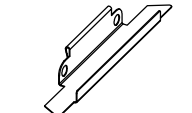
X5 2x X6 2x



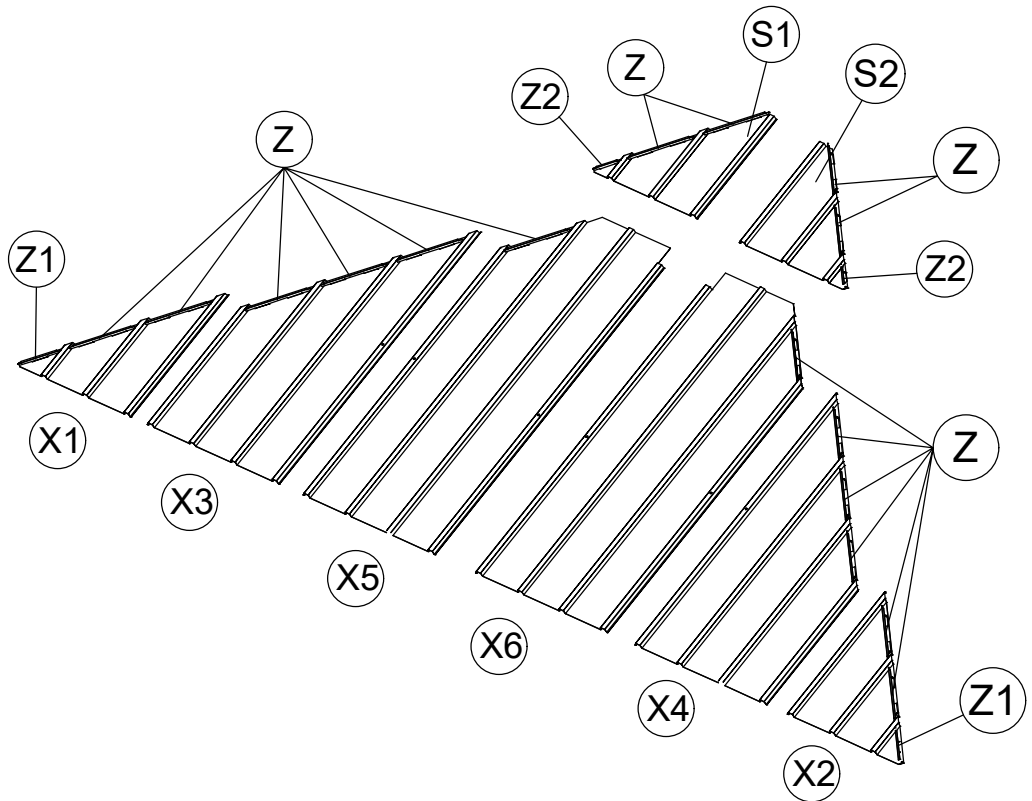
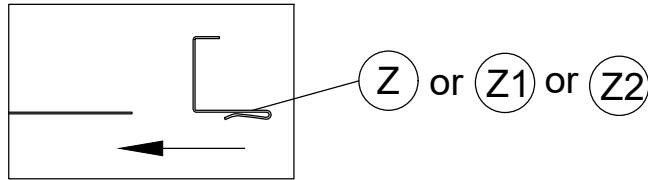
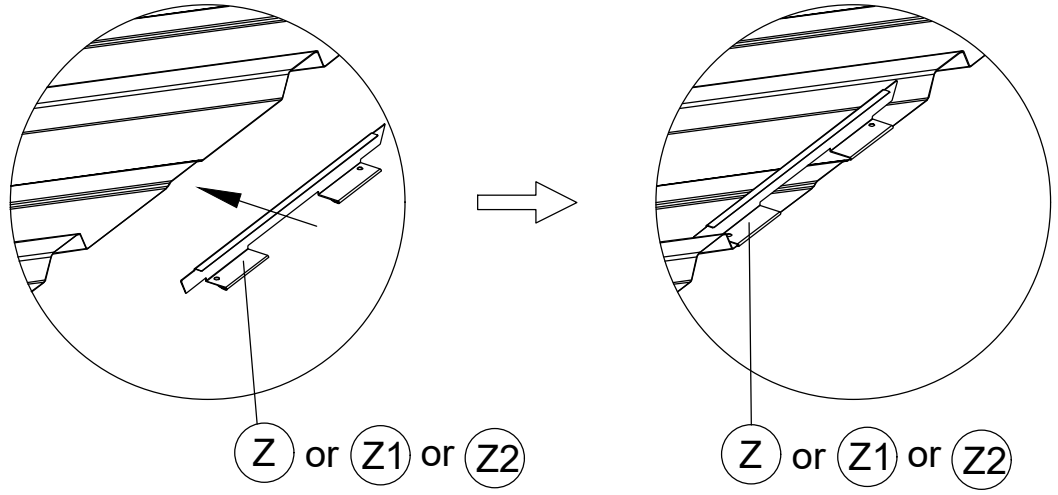
Z 32x



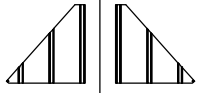
Z1 4x



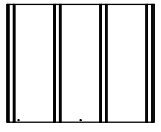
Z2 4x



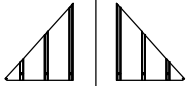
<13>



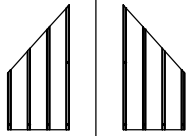
(S1) 2x (S2) 2x



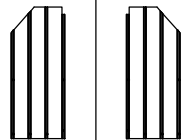
(S3) 8x



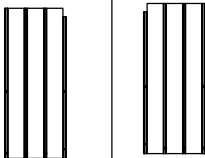
(X1) 2x (X2) 2x



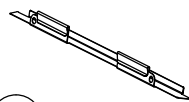
(X3) 2x (X4) 2x



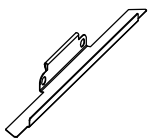
(X5) 2x (X6) 2x



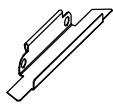
(X8) 4x (X7) 4x



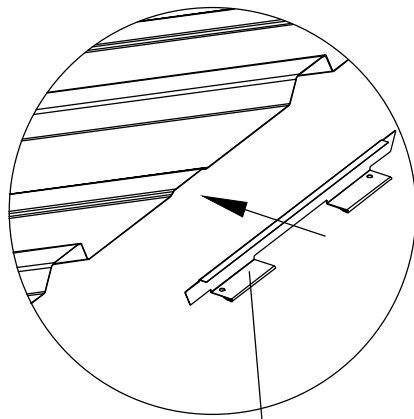
(Z) 32x



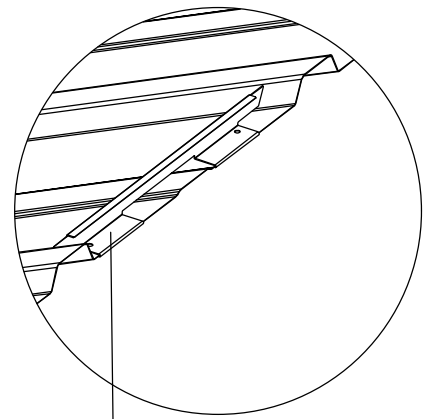
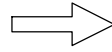
(Z1) 4x



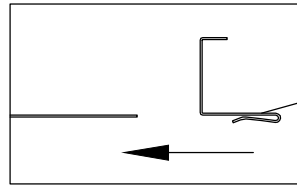
(Z2) 4x



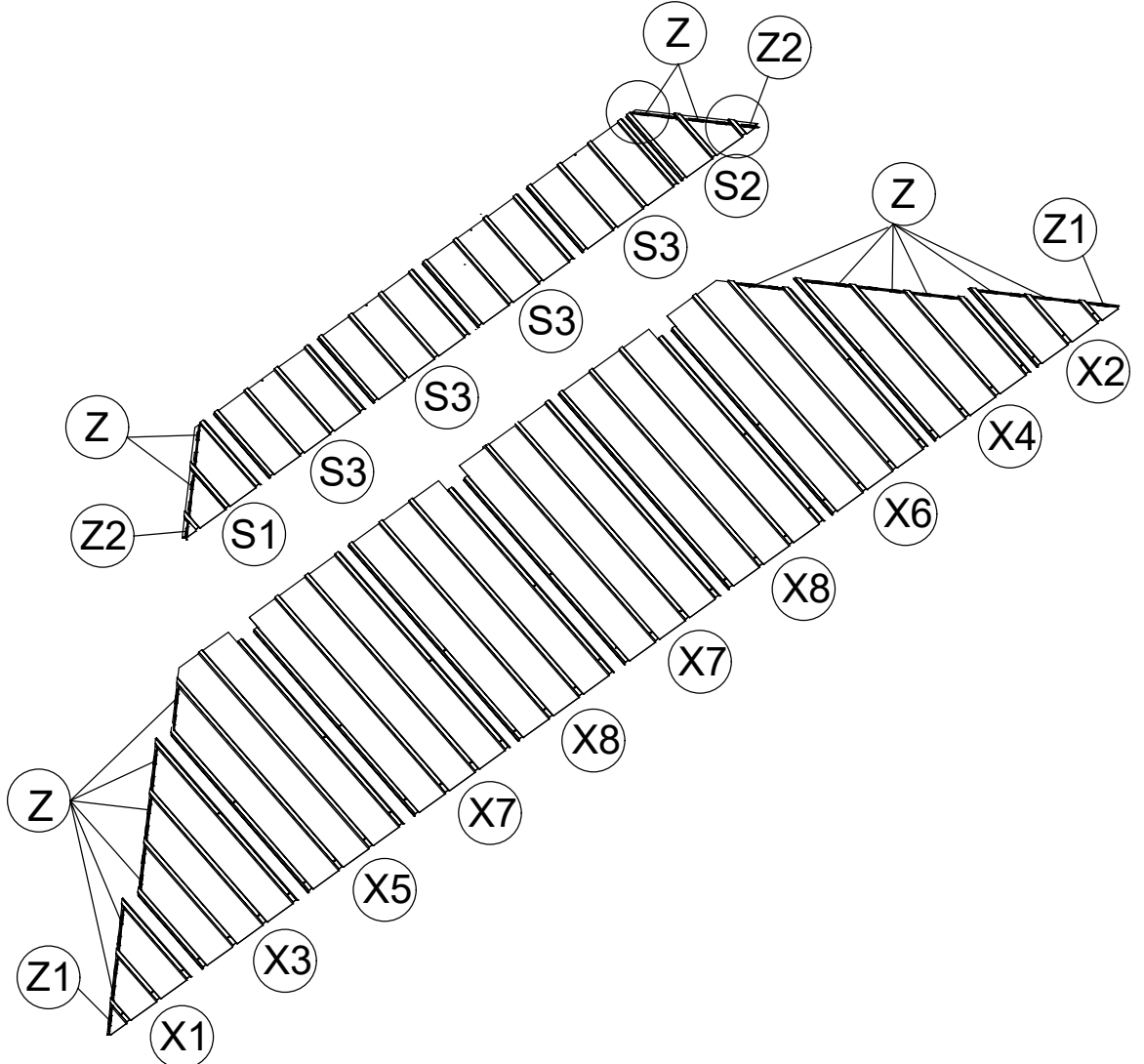
(Z) or (Z1) or (Z2)



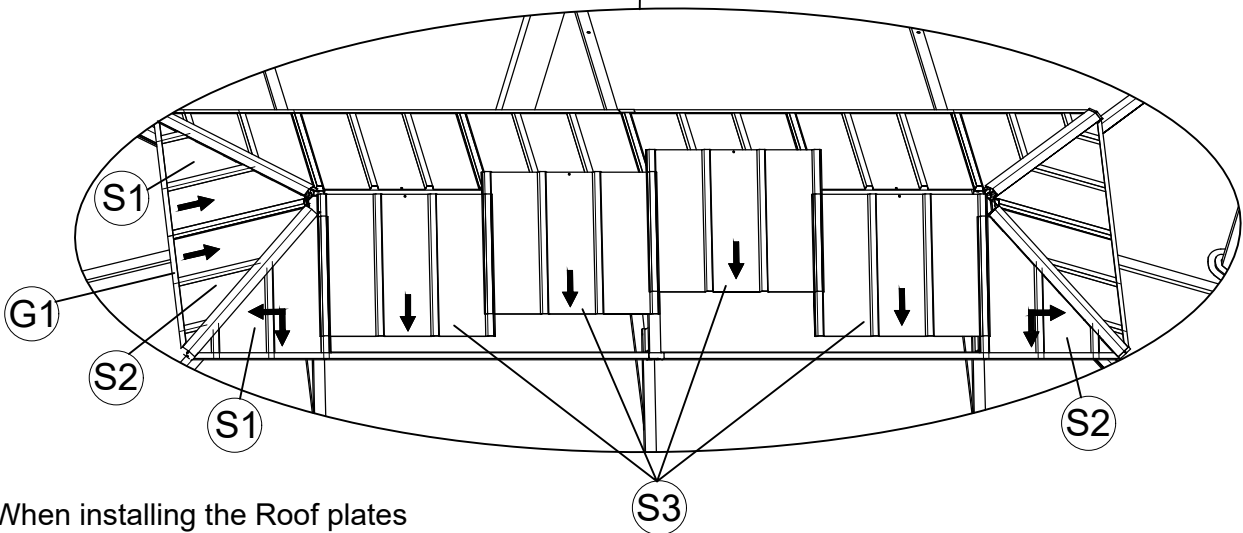
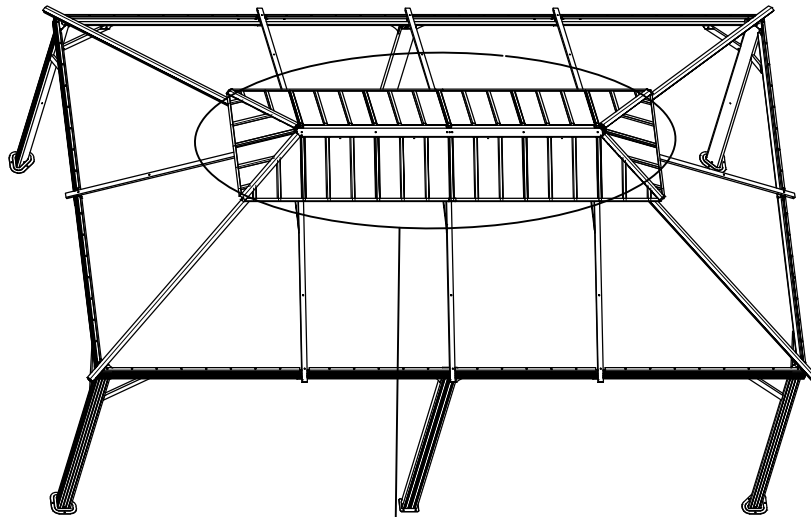
(Z) or (Z1) or (Z2)



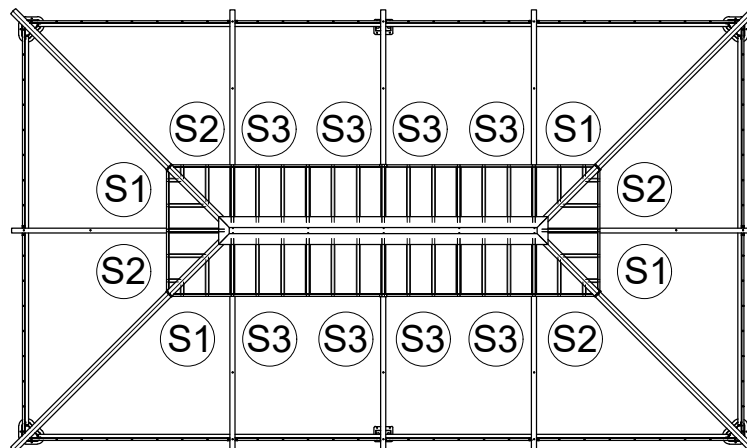
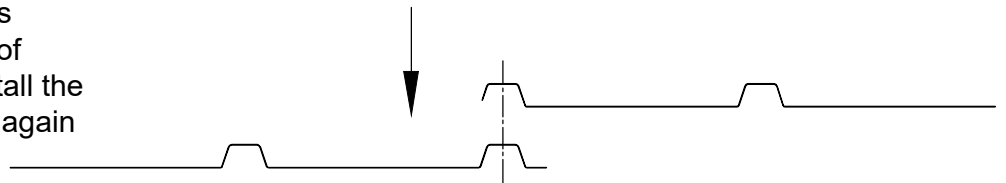
(Z) or (Z1) or (Z2)



<14>



When installing the Roof plates (S1 S2) onto short side, pls detach the right end of Roof Rib(G1) first. And then install the right end of Roof Rib (G1) again after (S1 S2) is installed.



<15>

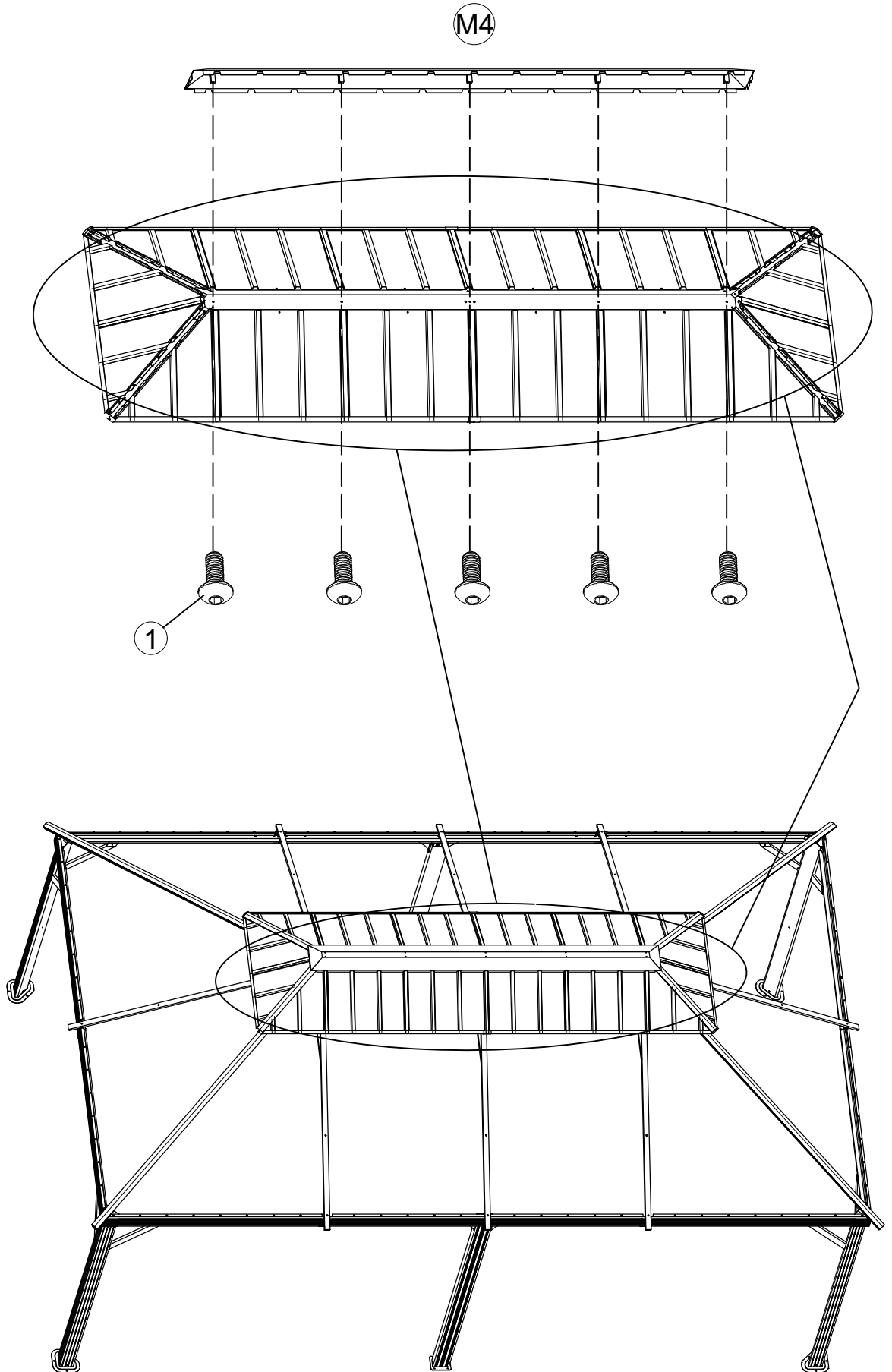


M4 1x



M6x15

1 5x



<16>



F1 4x



F2 4x

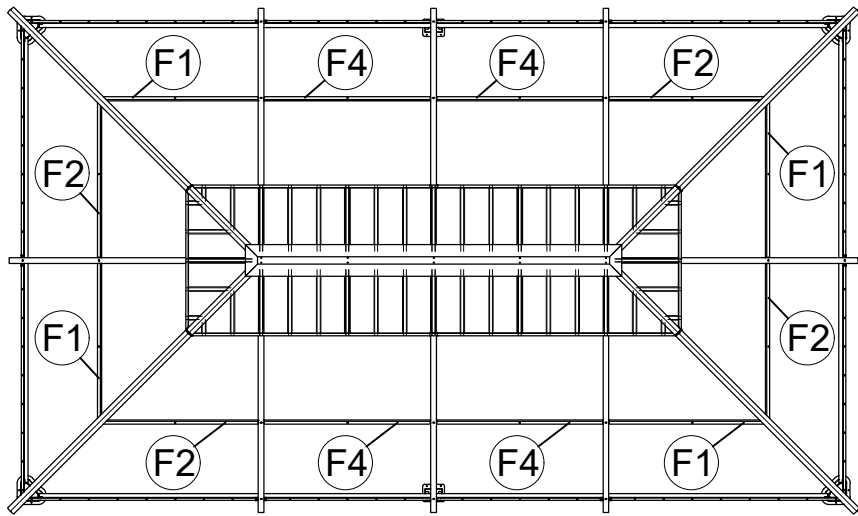
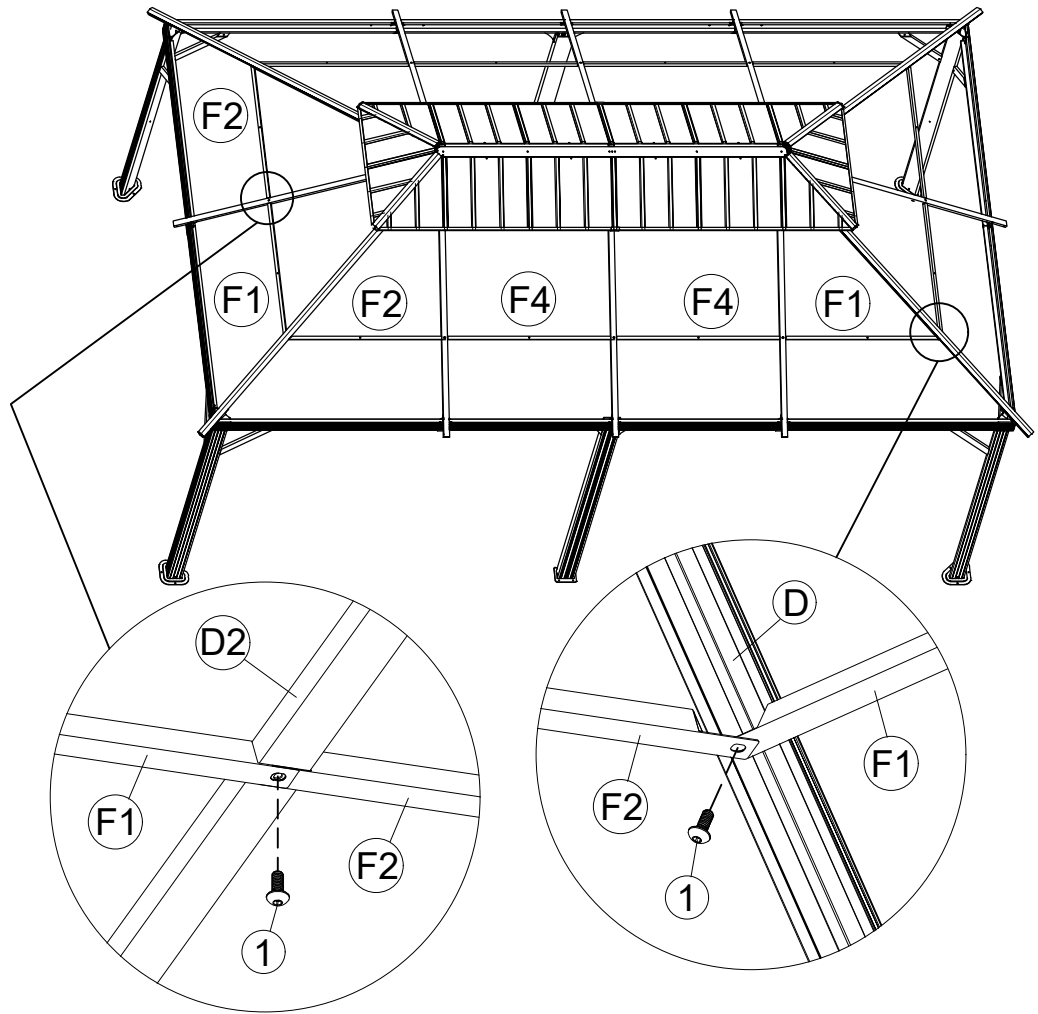


F4 1x

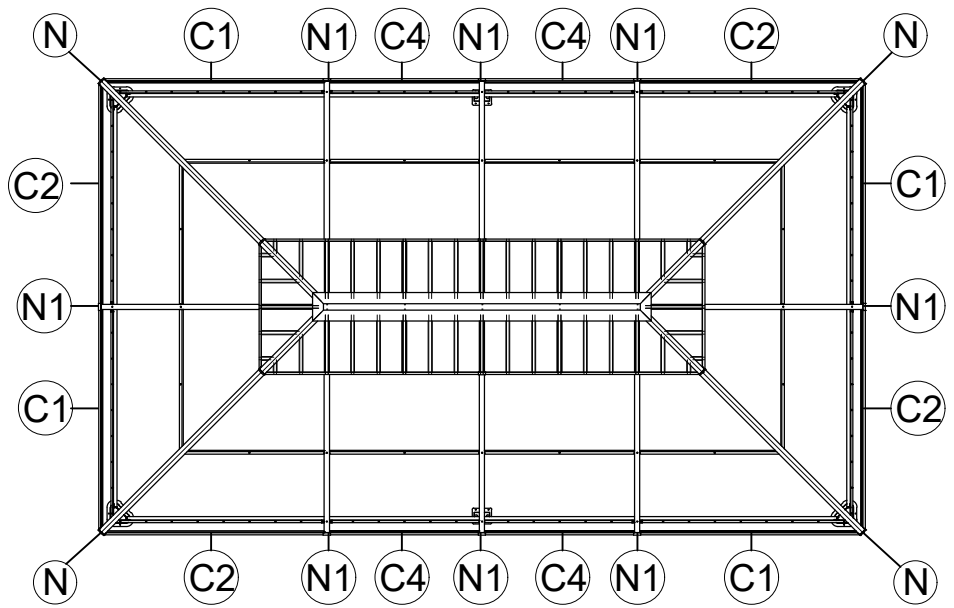
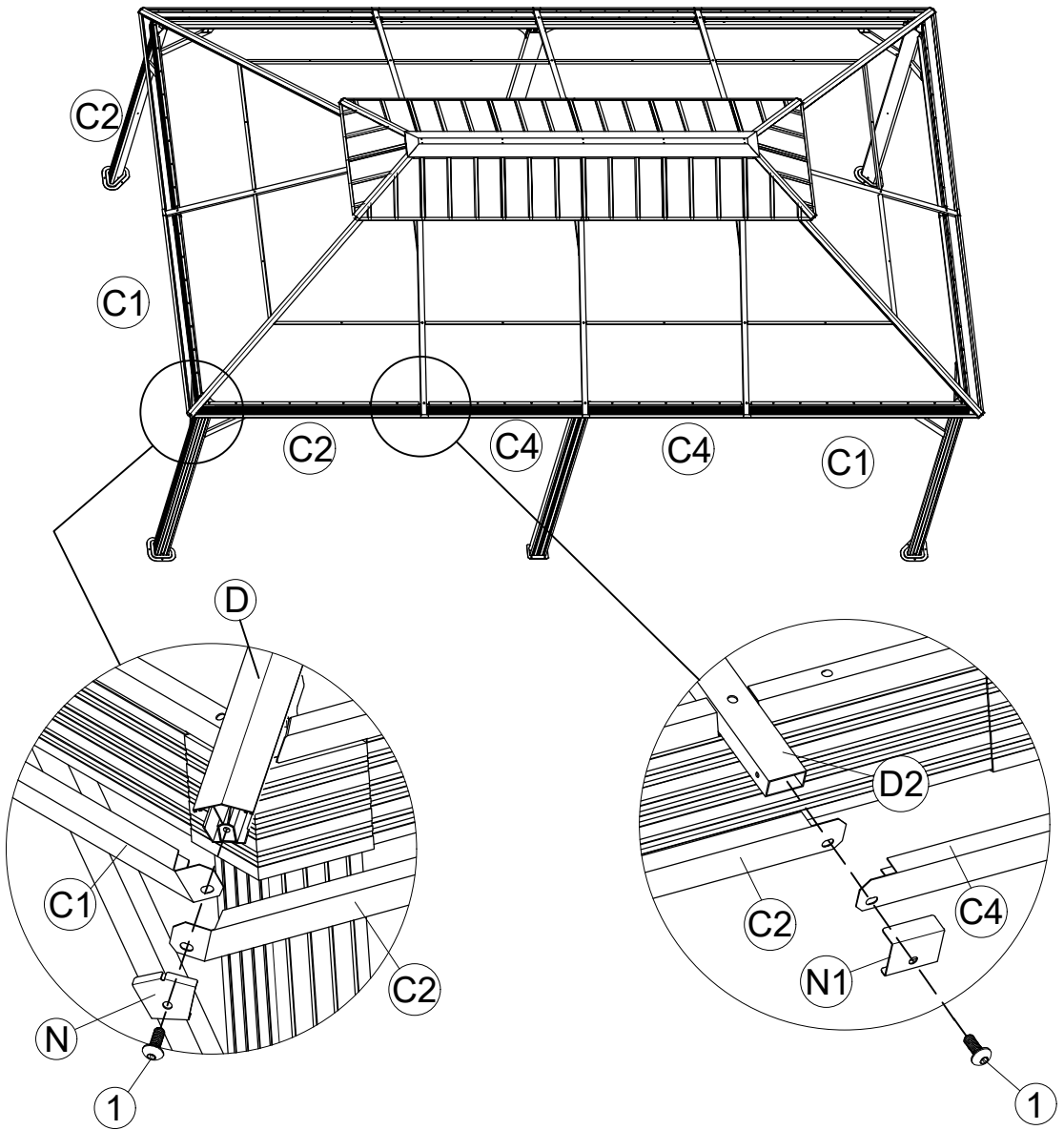
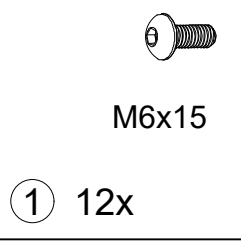
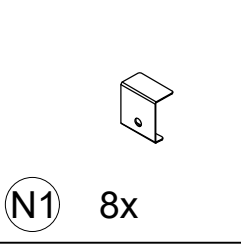
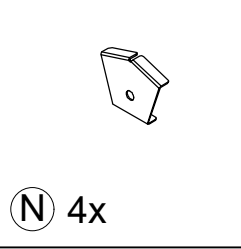
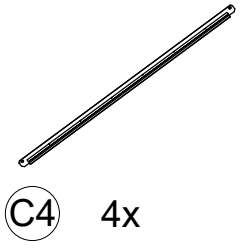
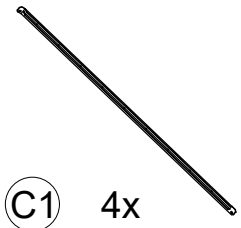


M6x15

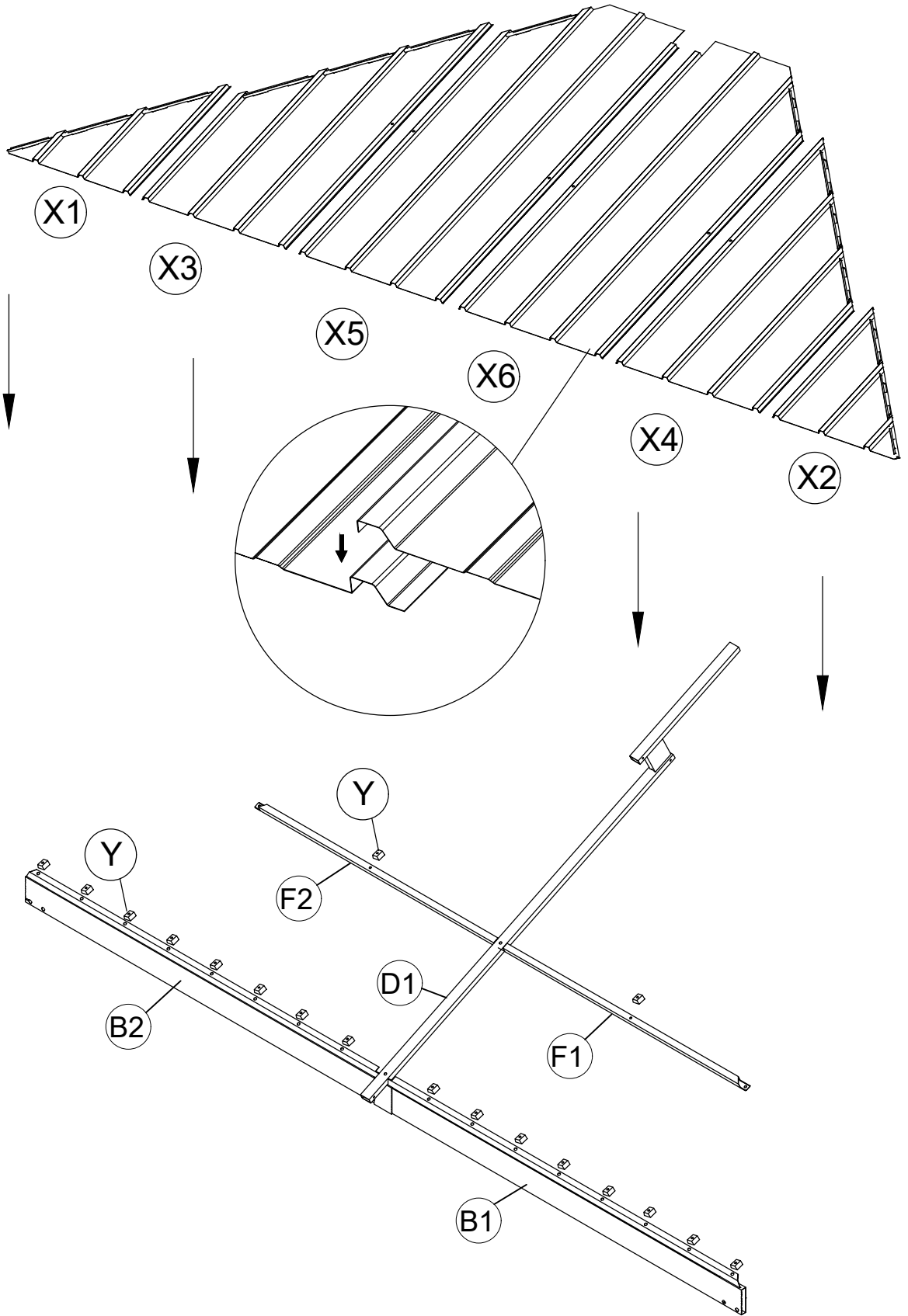
1 12x



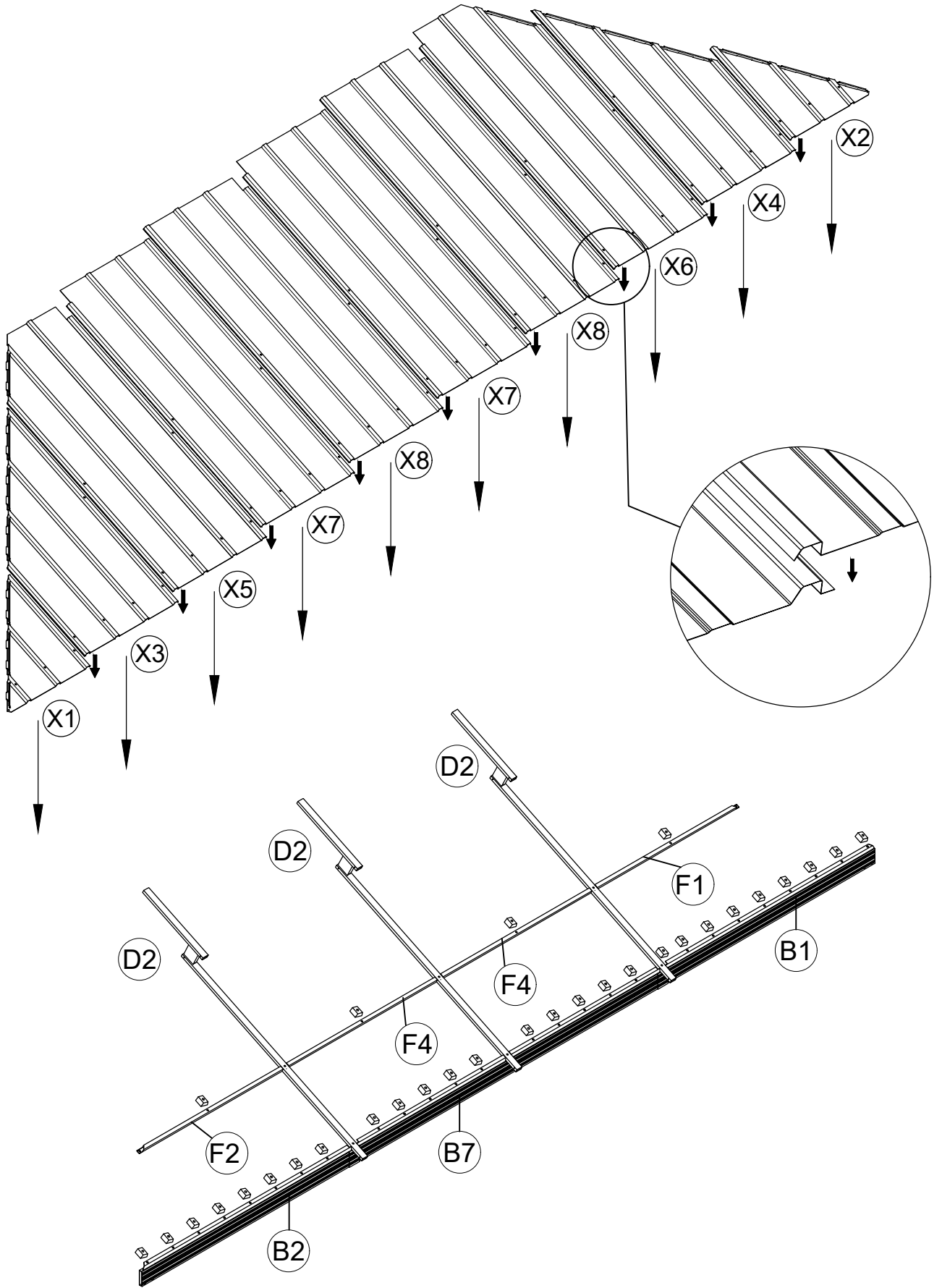
<17>



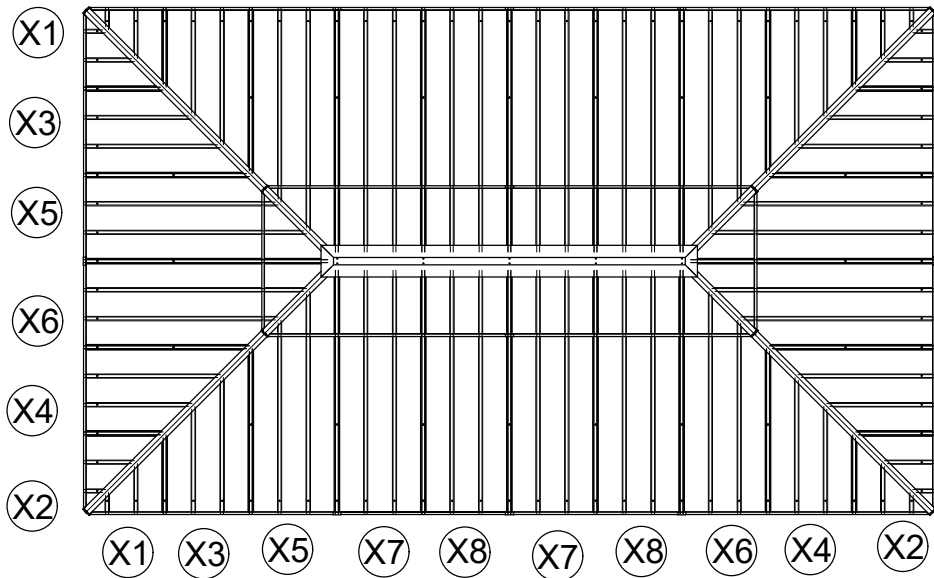
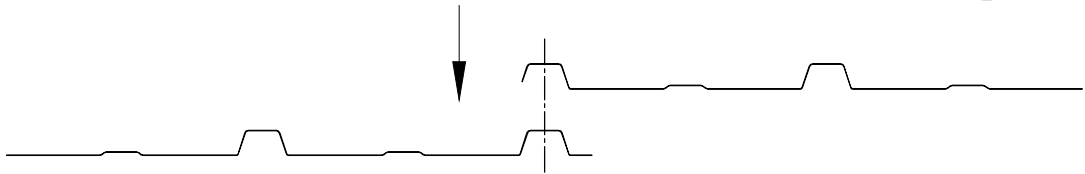
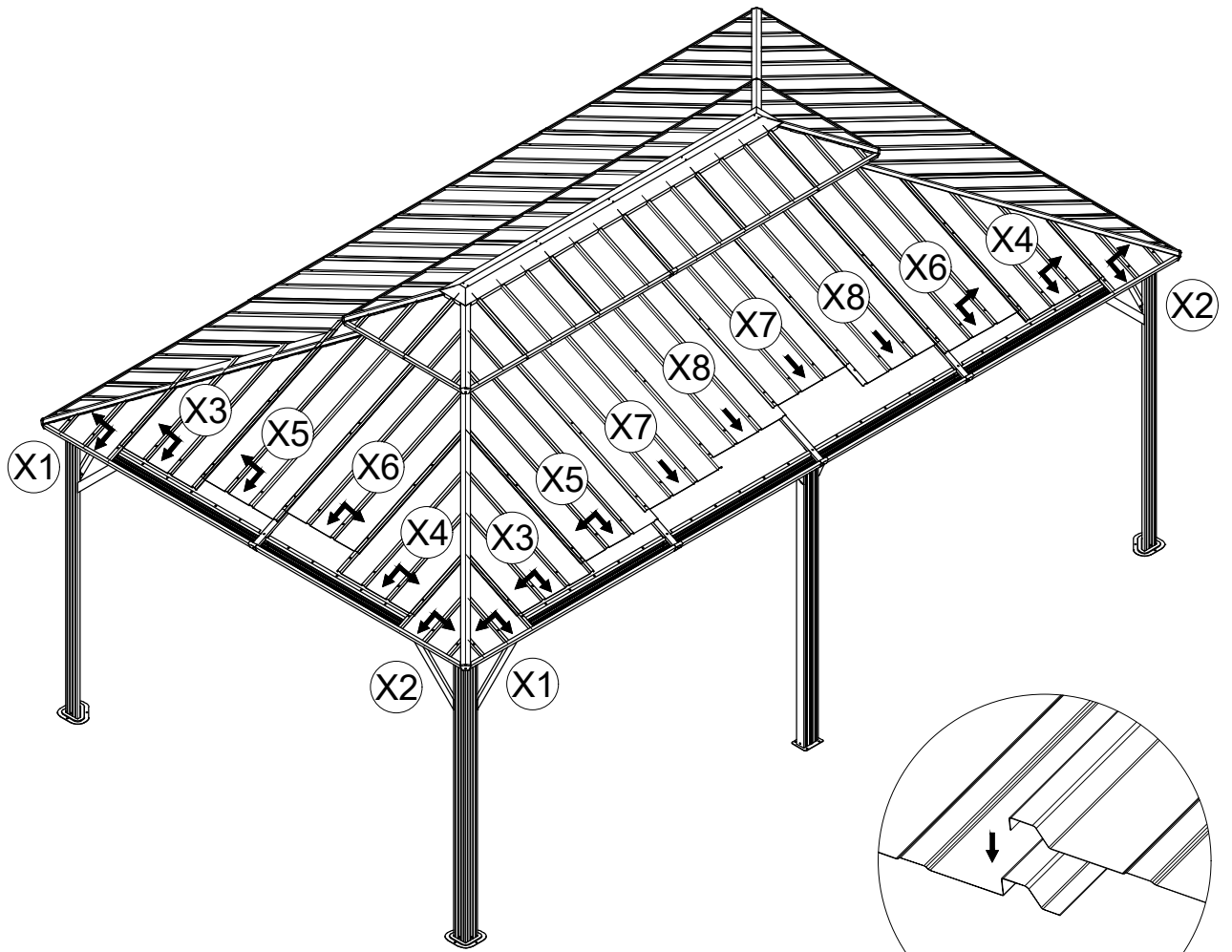
<18>



<19>



<20>



<21>



Y 96x



M6x25

3 16x



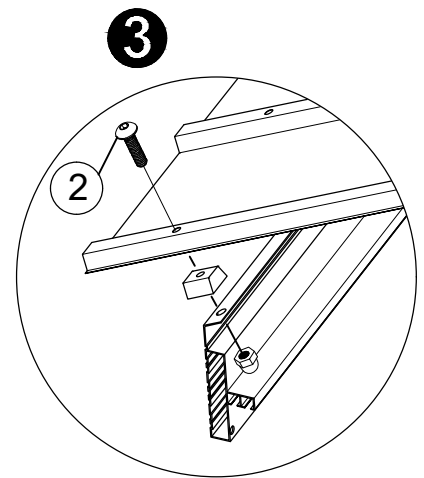
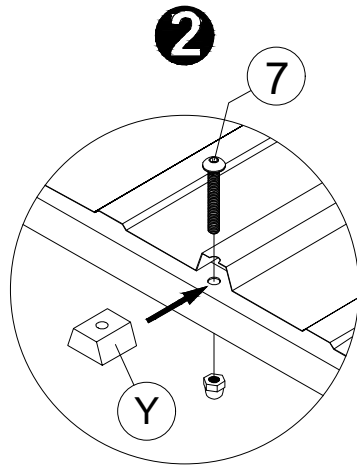
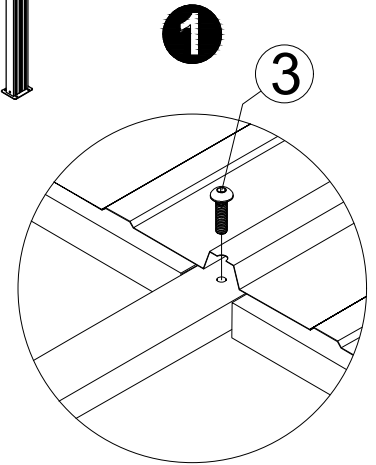
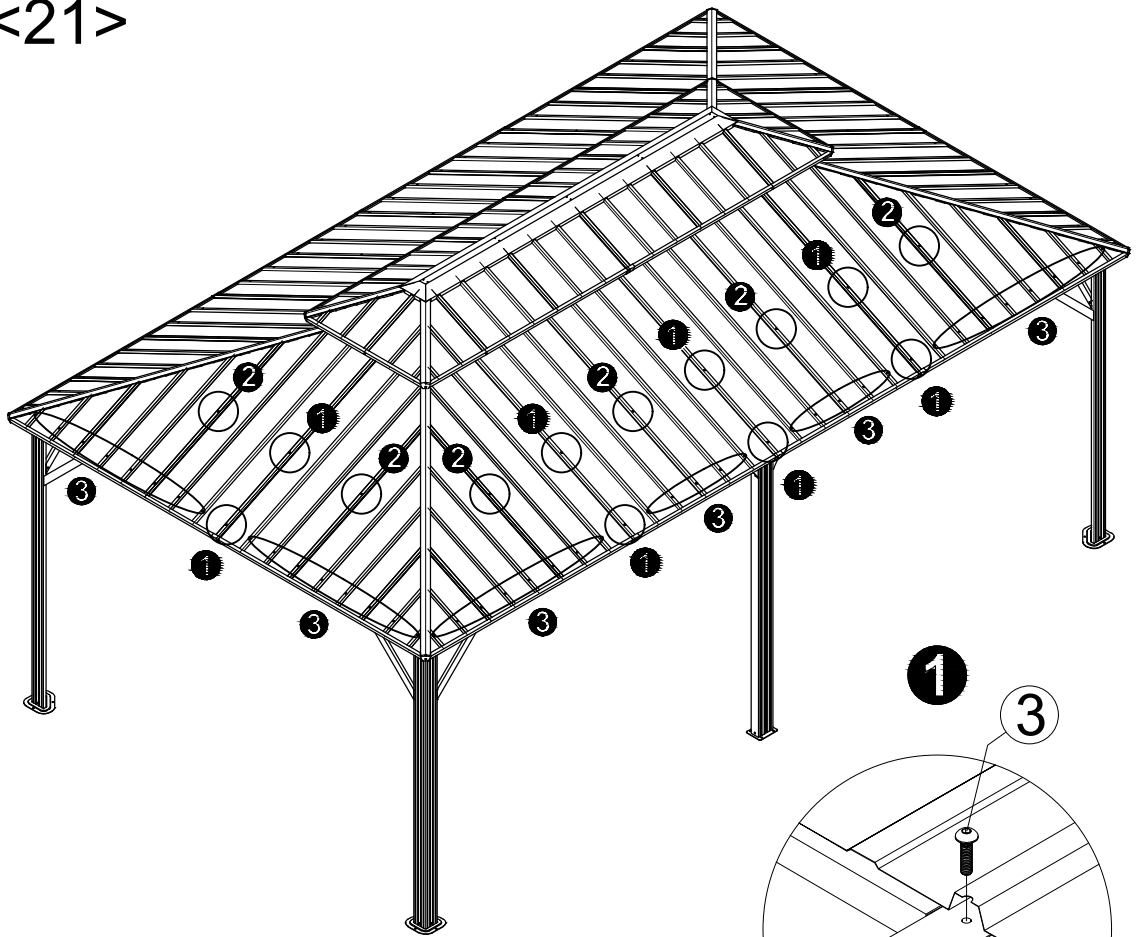
M6x23

2 84x



M6x45

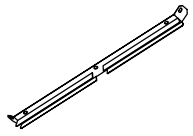
7 12x



Note: When installing the roof top plates, if the roof plates are slightly uneven, pls press the screws from the top of the plates until the bottom screw thread is exposed by 3 to 4mm, and then screw on the nut.

<22>

1



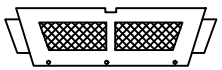
I1 2x



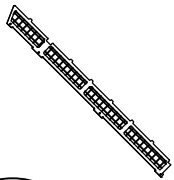
I5 2x



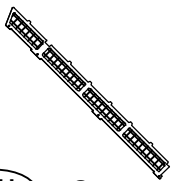
I6 2x



V1 2x



V4a 2x



V4b 2x



N 4x



M6x15

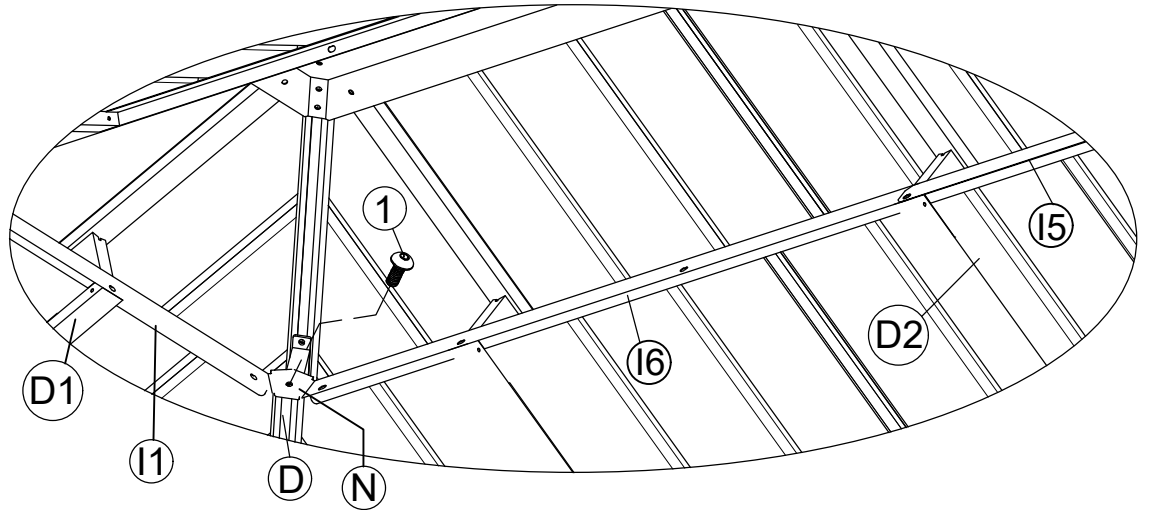
1 12x

26

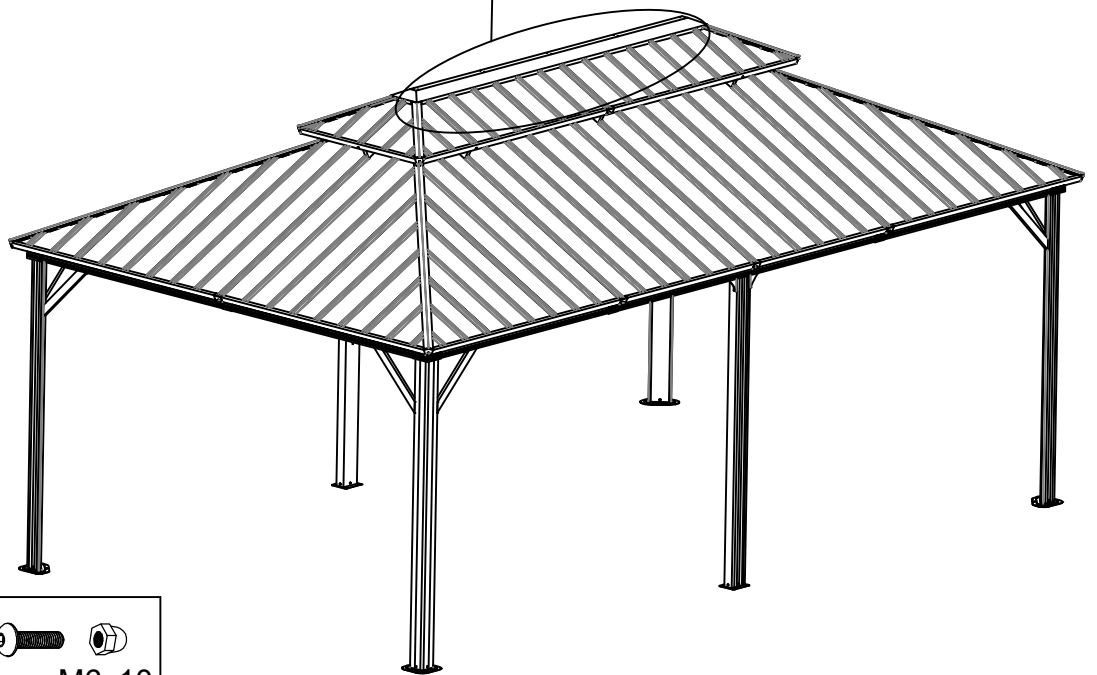
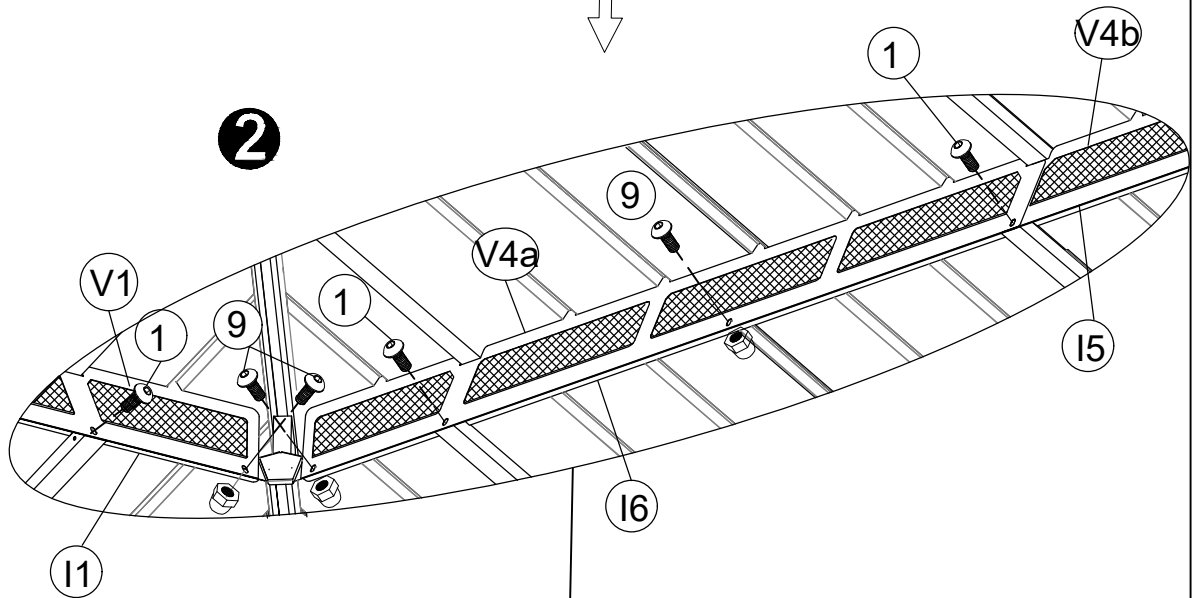


M6x10

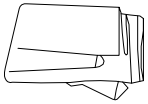
9 12x



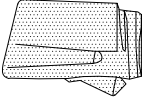
2



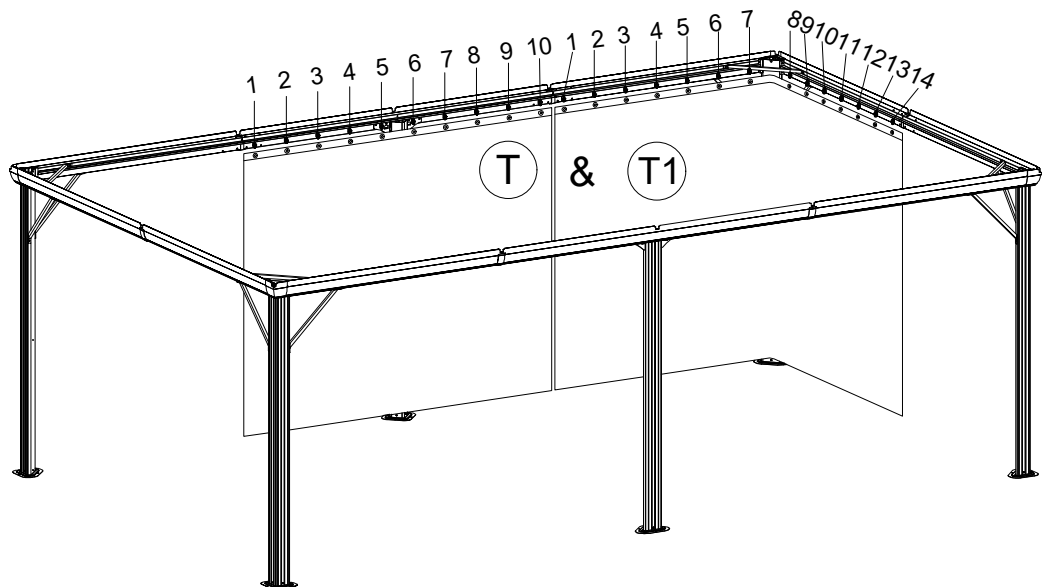
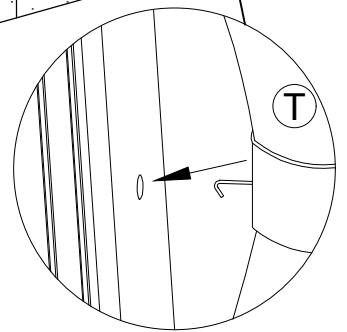
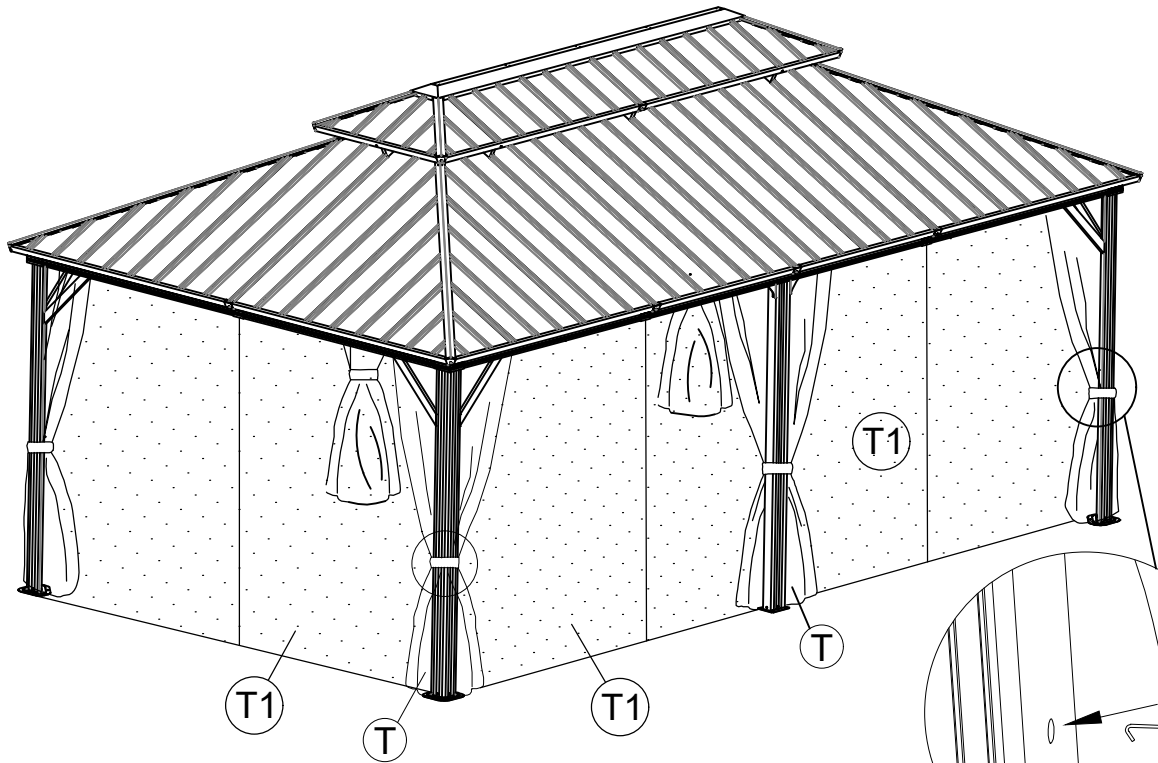
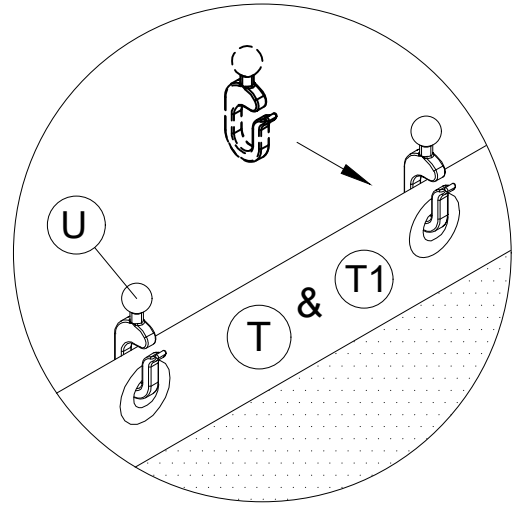
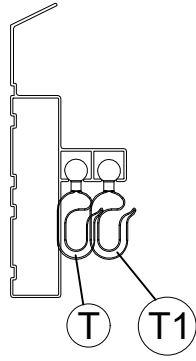
<23>



T 4x+2x



T1 4x+2x



Carton-1/6		Carton-3/6		Carton-4/6	
Part	Qty	Part	Qty	Part	Qty
A	4	F4	4	Y	96
A2	2	F8	3	U	152
		V1	2	T	4+2
		V4a	2	T1	4+2
		V4b	2	1.2.3.4.5.7.8.9. 10.11.12.13.14	1
		J	4		
Carton-2/6					
Part	Qty				
D	4				
D1	2				
D2	6	Carton-4/6		Carton-5/6	
E5	4	Part	Qty	Part	Qty
Z	64	L4	1	X5	4
Z1	8	M4	1	X6	4
Z2	8	B7	2	X7	4
P	6	C1	4	X8	4
		C2	4		
		G5	2		
		G6	2		
Carton-3/6		H	4	Carton-6/6	
Part	Qty	H1	4	Part	Qty
B1	4	Q1	8	X1	4
B2	4	N	12	X2	4
G1	2	N1	10	X3	4
C4	4	K1	6	X4	4
I1	2	K	4	S1	4
I5	2	J1	2	S2	4
I6	2	W1	2	S3	8
F1	4	W2	2		
F2	4	V	6		