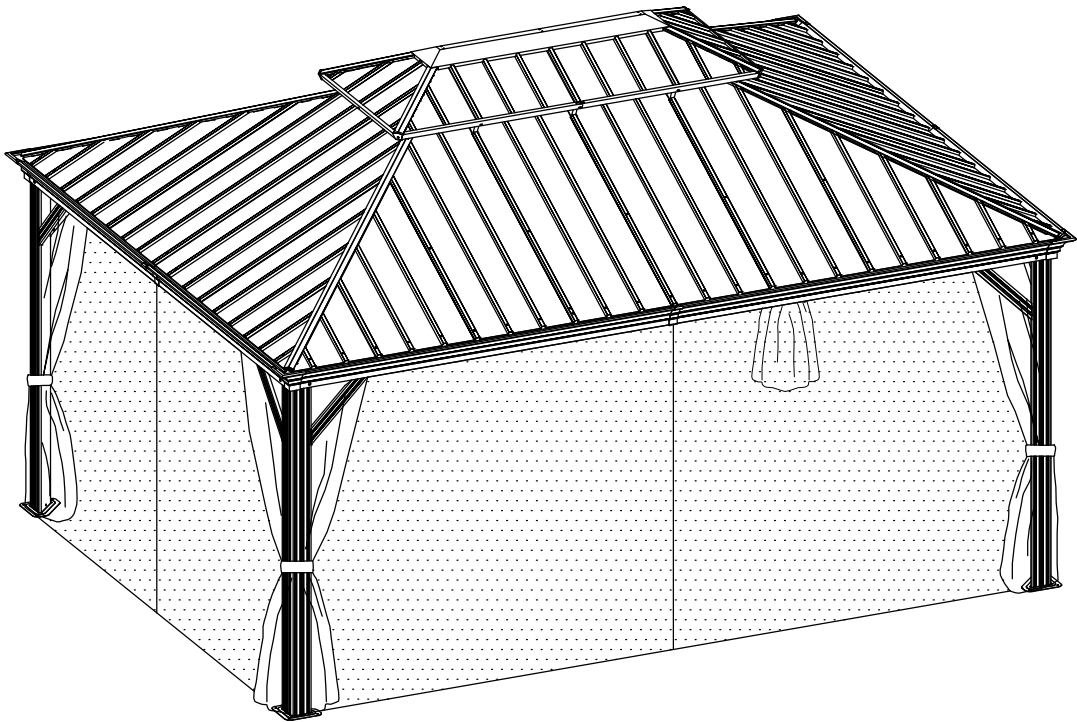


# 12 x 16FT

▯ ▯ ▯ ▯ ▯ ▯ ▯ ▯ WQG-025 ▯ ▯ ▯ ▯ ▯ ▯ ▯





A 4x



B1 2x



B2 2x



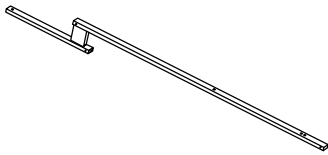
B5 2x



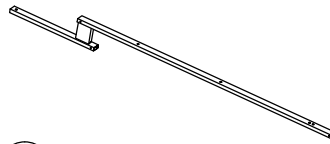
B6 2x



D 4x



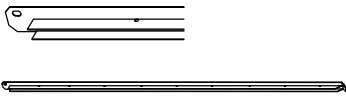
D1 2x



D2 4x



E5 4x



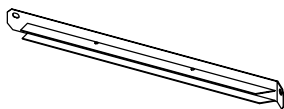
C1 4x



C2 4x



C4 4x



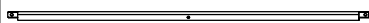
C5 2x



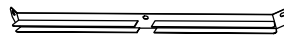
C6 2x



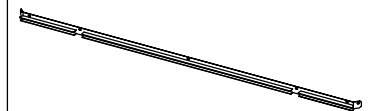
G1 2x



F4 2x



I1 2x



I10 2x



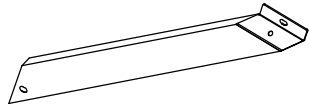
F1 4x



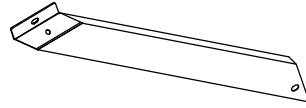
F2 4x



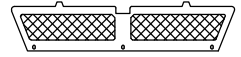
F8 2x



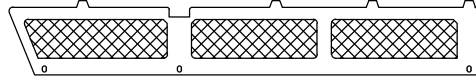
H 4x



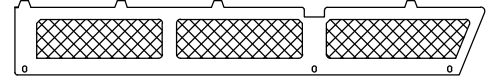
H1 4x



V1 2x



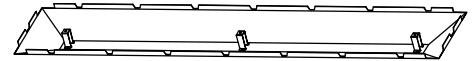
V7a 2x



V7b 2x



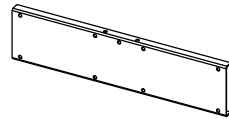
L3C 1x



M3 1x



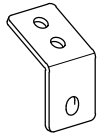
J 4x



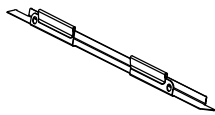
P 4x



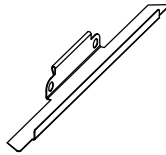
V 4x



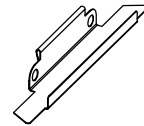
Q1 6x



Z 64x



Z1 8x



Z2 8x



Y 84x



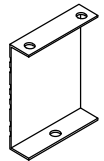
U 128x



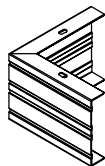
N 12x



N1 10x



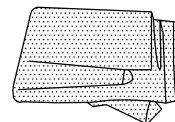
K1 4x



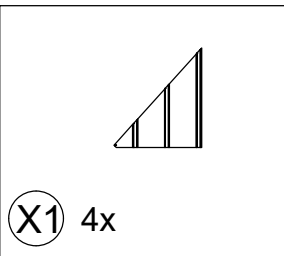
K 4x



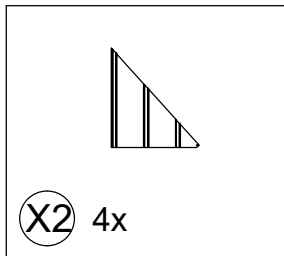
T 4x



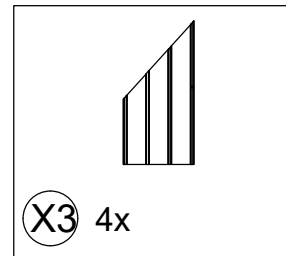
T1 4x



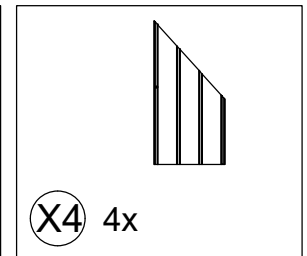
X1 4x



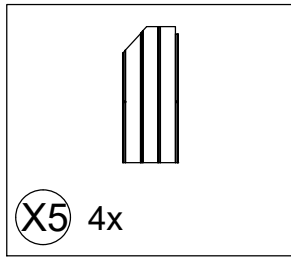
X2 4x



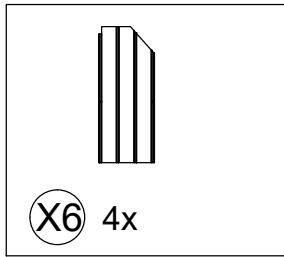
X3 4x



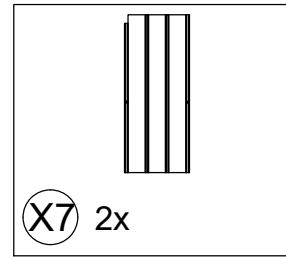
X4 4x



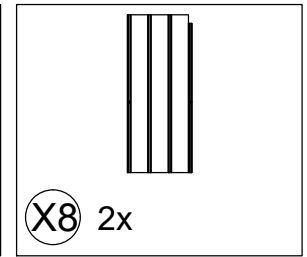
X5 4x



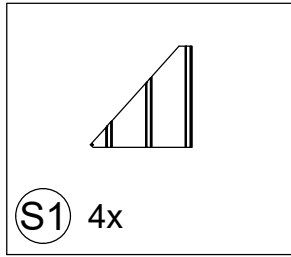
X6 4x



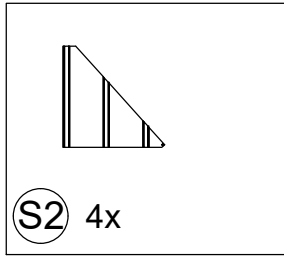
X7 2x



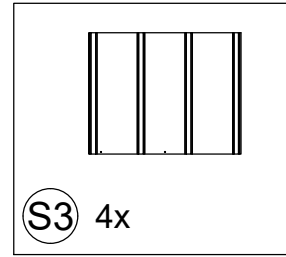
X8 2x



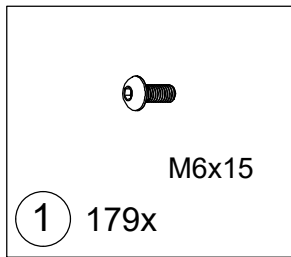
S1 4x



S2 4x

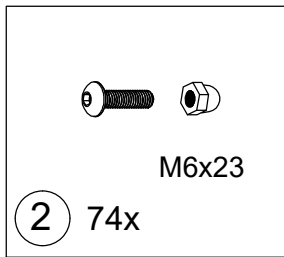


S3 4x



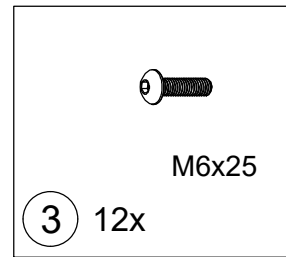
M6x15

1 179x



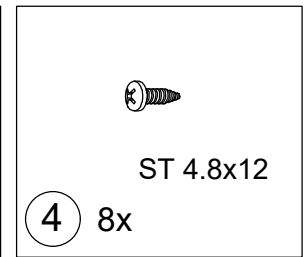
M6x23

2 74x



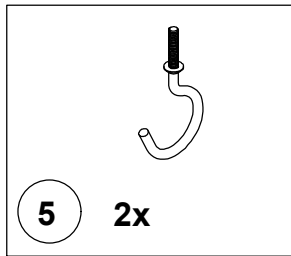
M6x25

3 12x

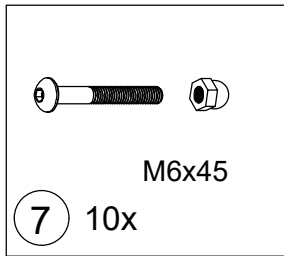


ST 4.8x12

4 8x

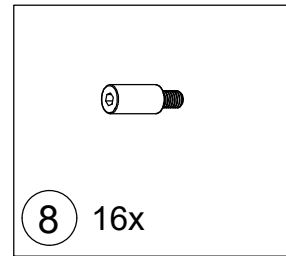


5 2x

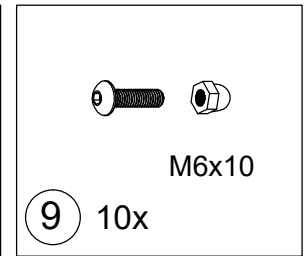


M6x45

7 10x

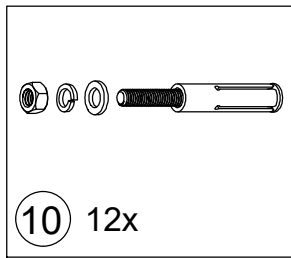


8 16x

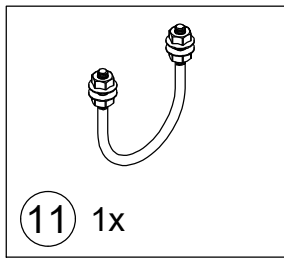


M6x10

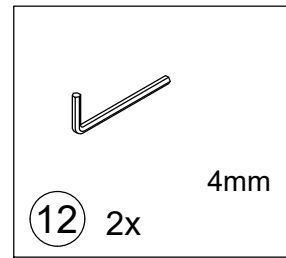
9 10x



10 12x

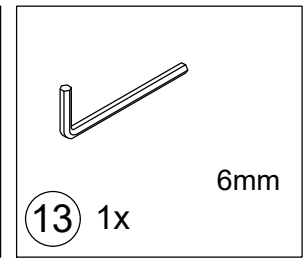


11 1x



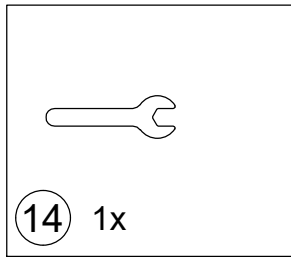
12 2x

4mm



13 1x

6mm



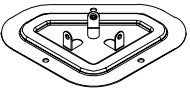
14 1x

<1>

A 4x



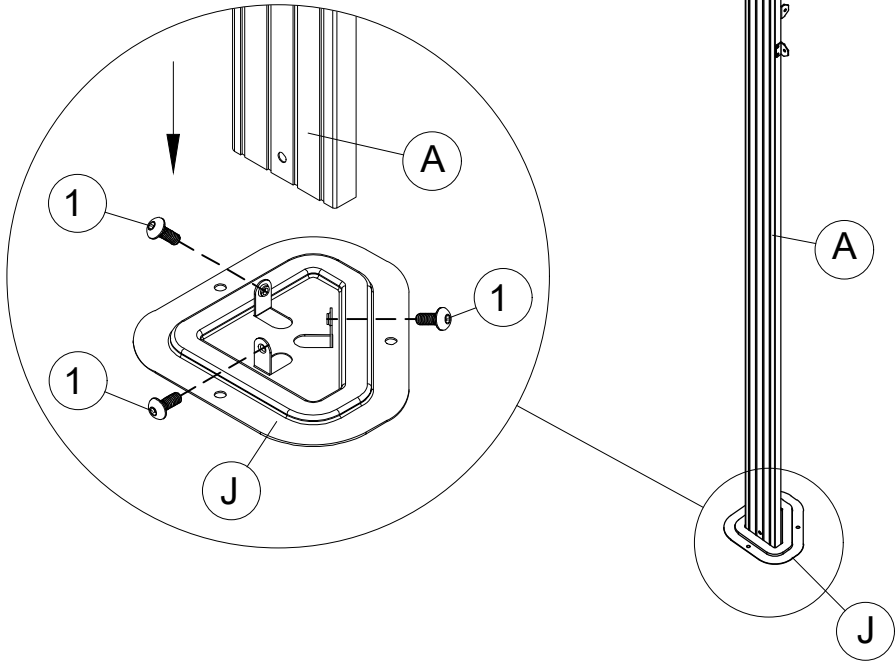
J 4x



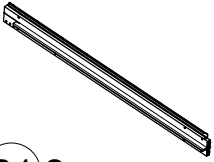
1 12x



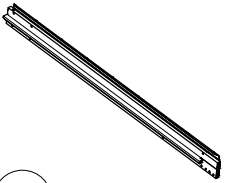
M6x15



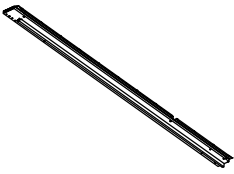
<2>



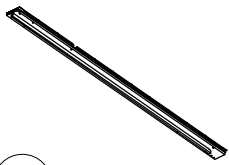
B1 2x



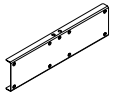
B2 2x



B5 2x



B6 2x

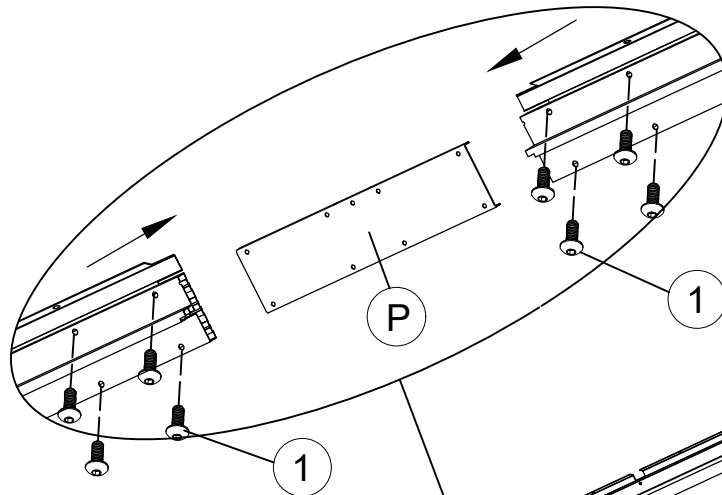
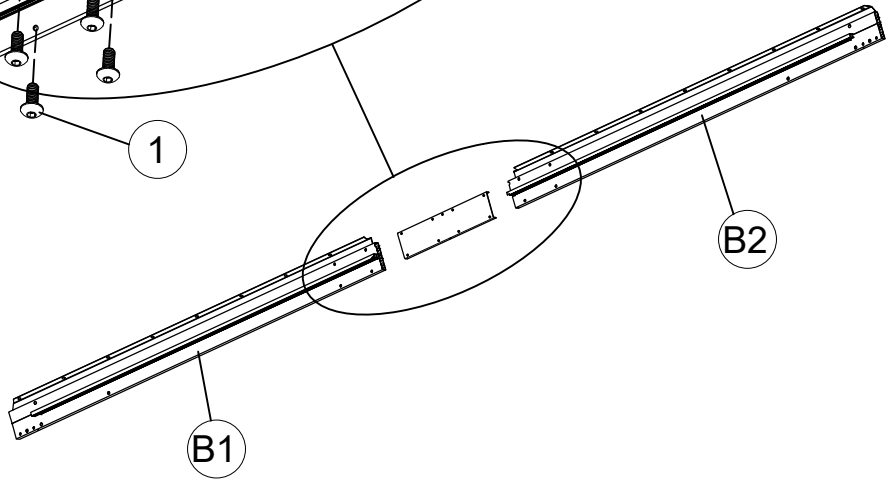
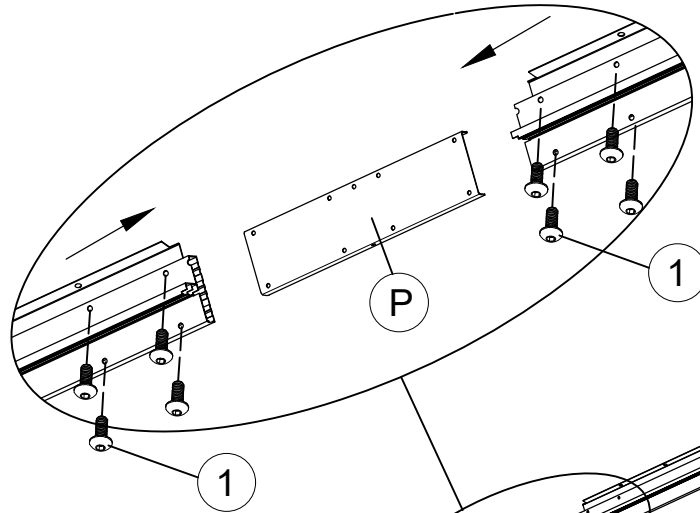


P 4x



M6x15

1 32x



6



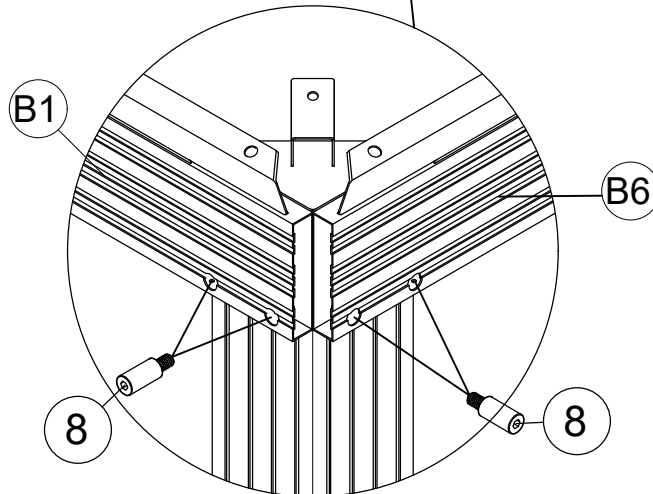
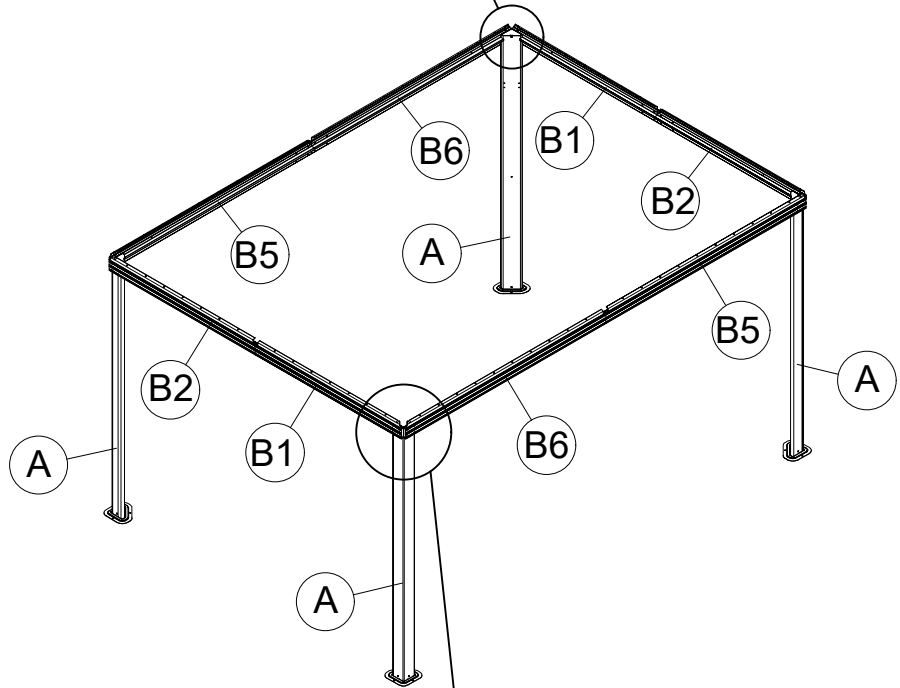
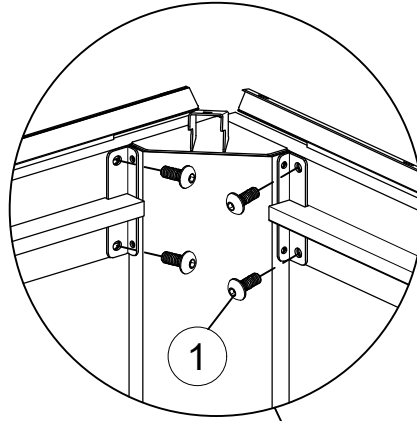
8 16x



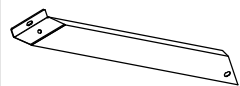
M6x15

1 16x

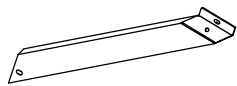
<3>



7



H1 4x



H 4x



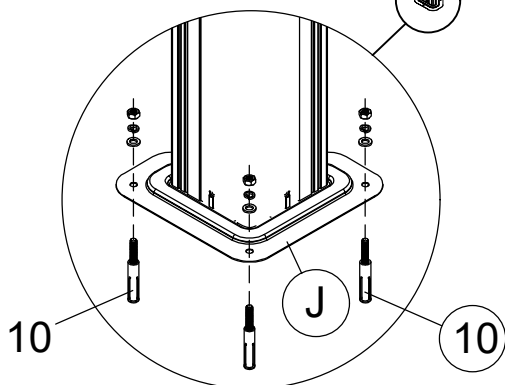
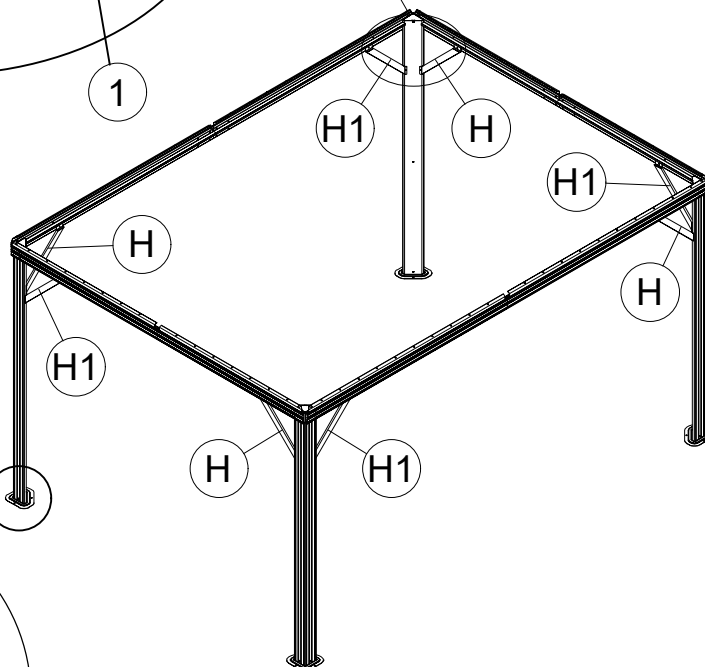
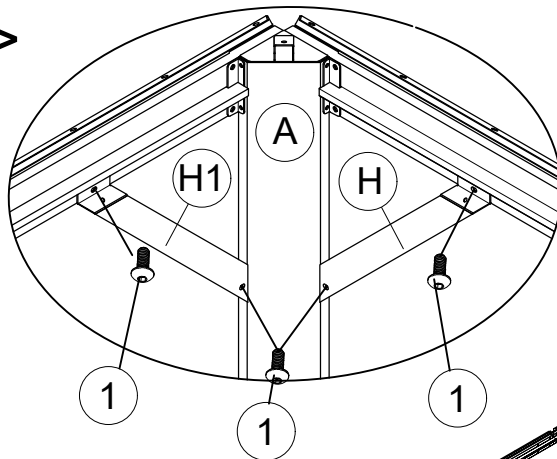
M6x15

1 16x

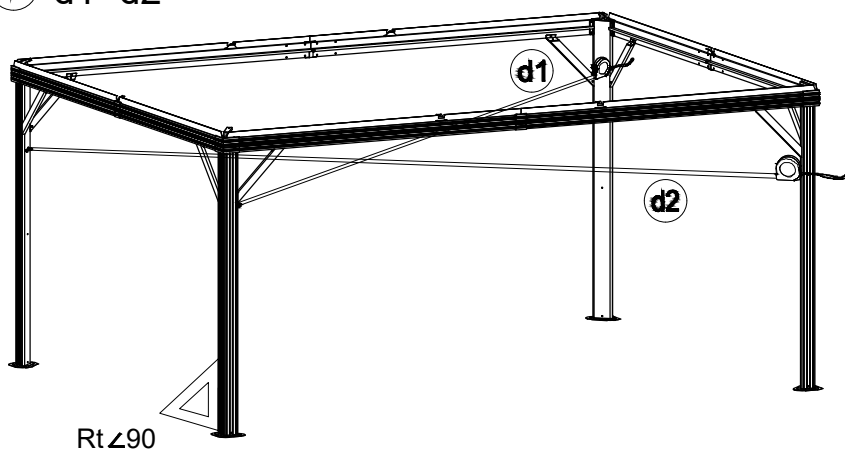


10 12x

<4>


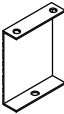

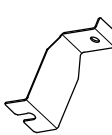




i d1=d2

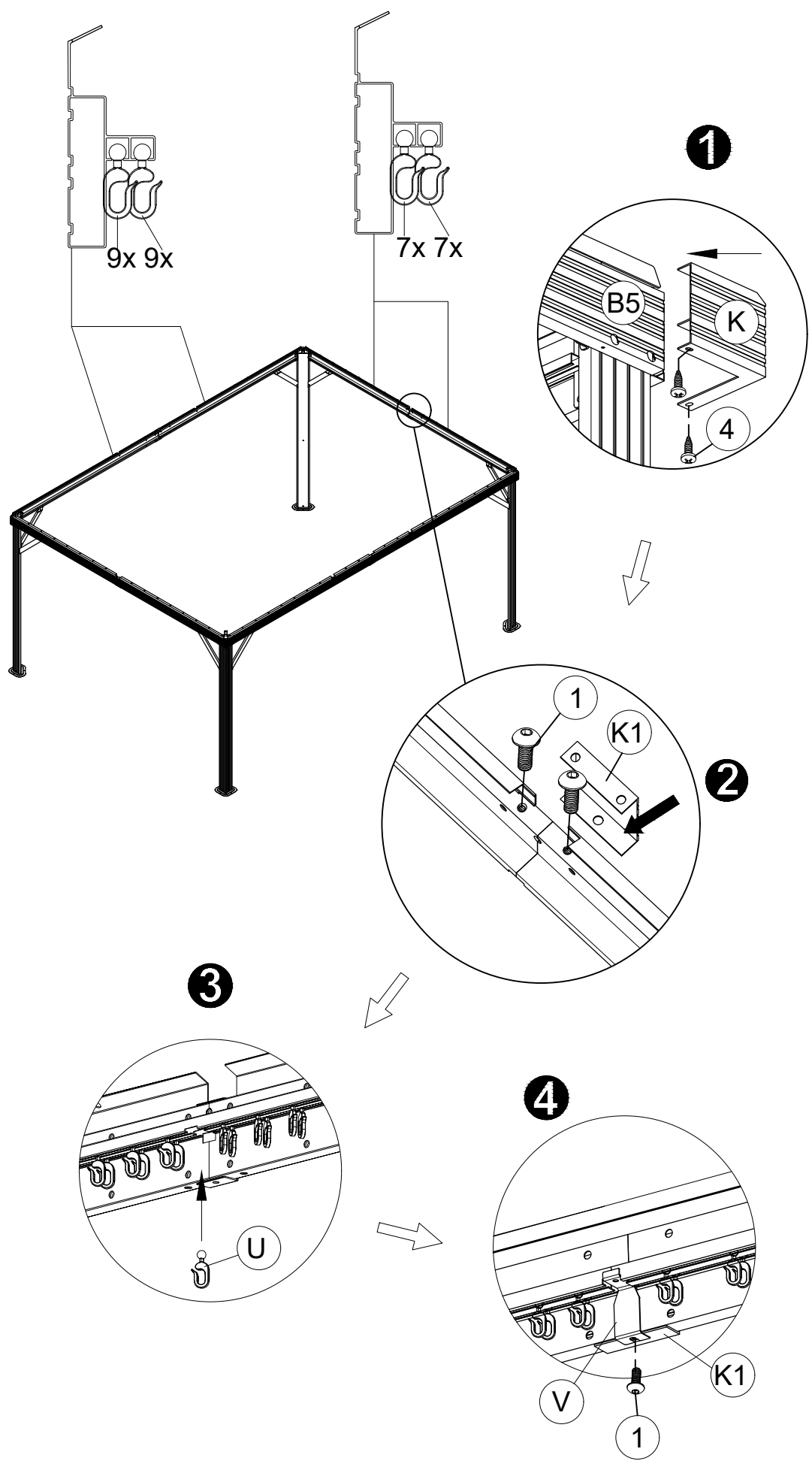


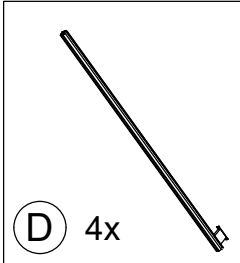
Tips: Please measure to make sure the length of d1 is equal to d2 before moving to next step to ensure a square frame and best results. Keep the beam at right angles to the post, the post at right angles to the ground, and keep the beam horizontal.



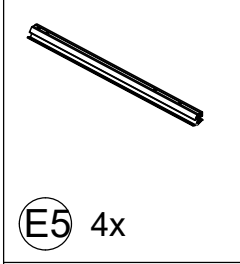
-  **K** 4x
-  **K1** 4x
-  **U** 128x
-  **V** 4x
-  **1** 12x  
M6x15
-  **4** 8x  
ST4.8x12
- 9**

<5>

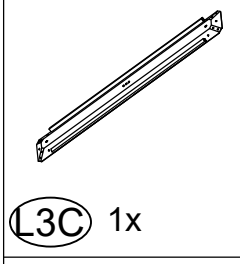




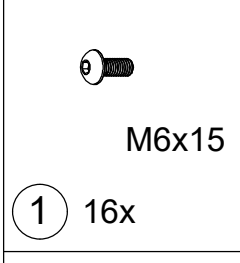
D 4x



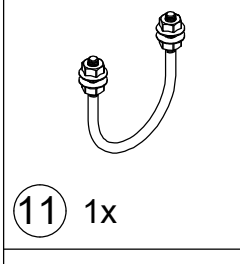
E5 4x



L3C 1x

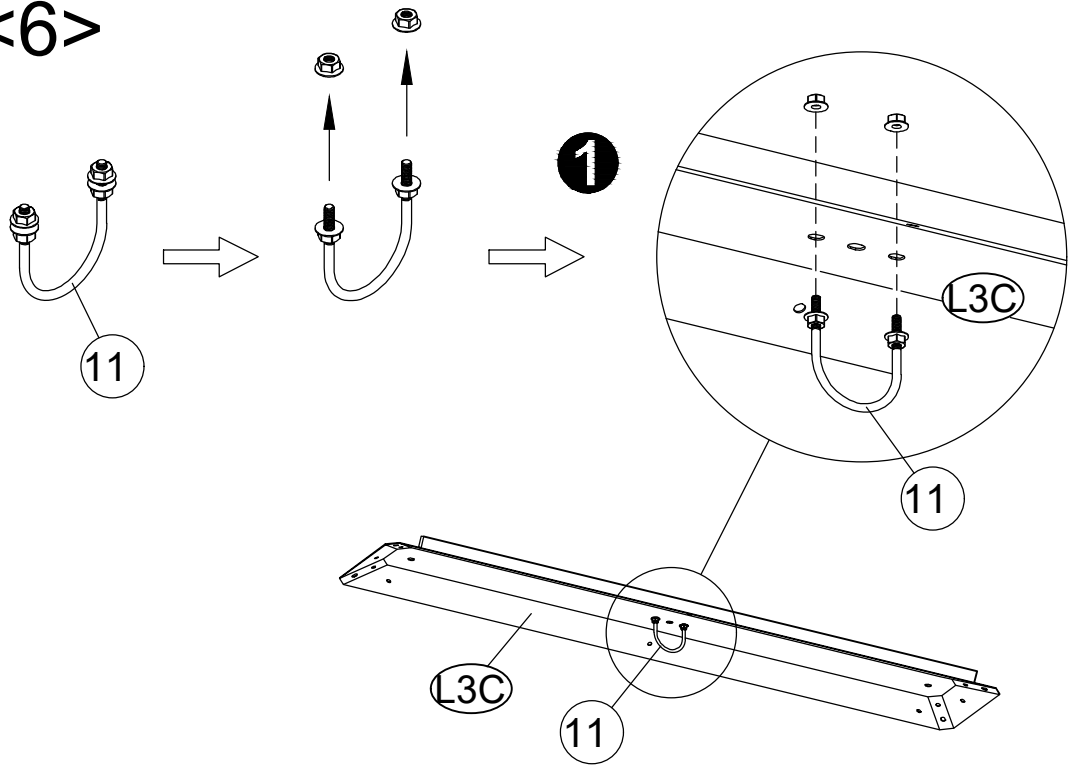


1 16x



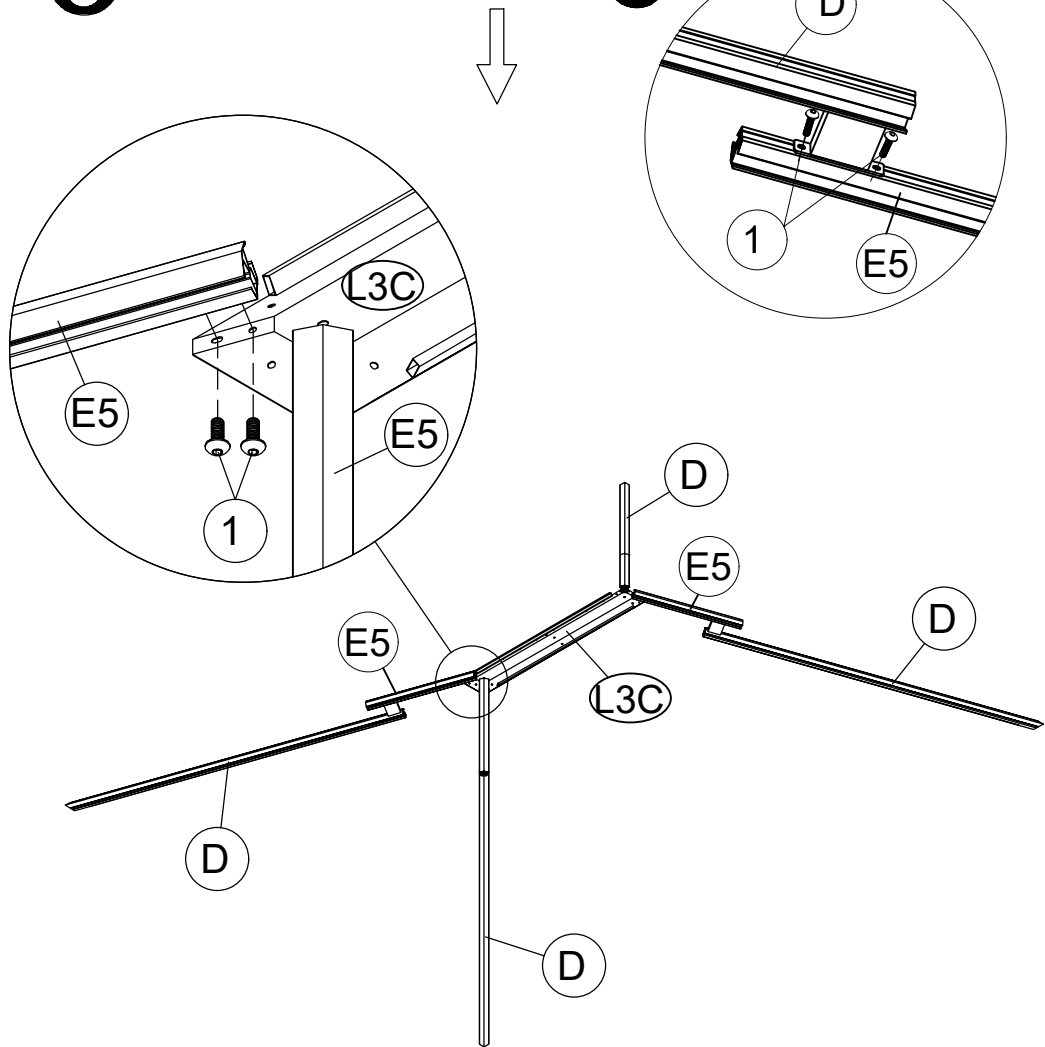
11 1x

<6>



3

2

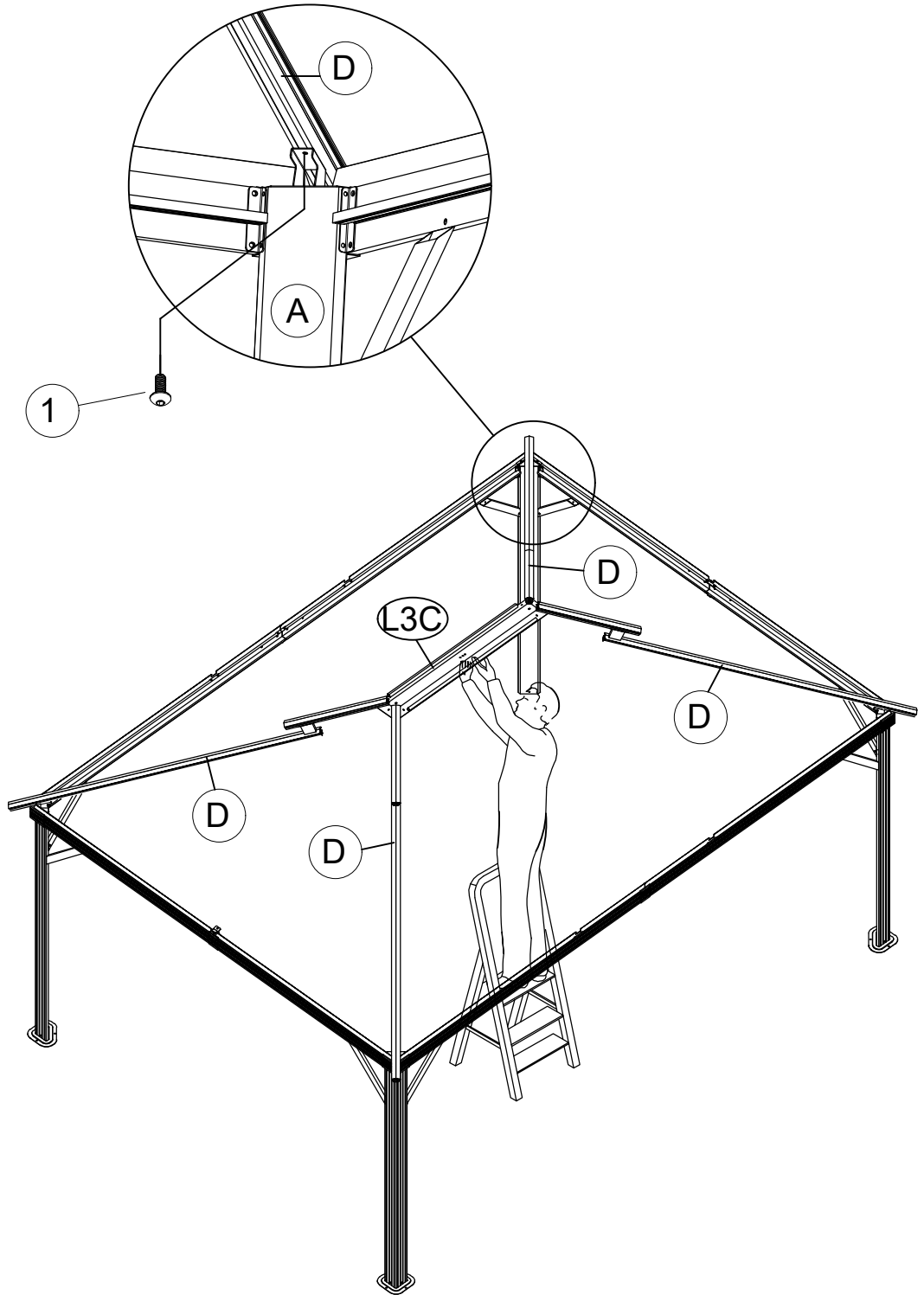




<7>

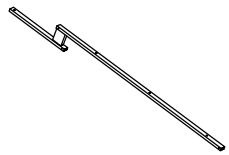
M6x15

1 4x

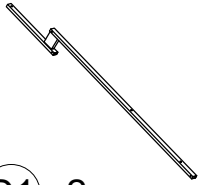


Note:

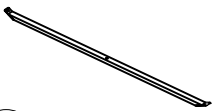
1. Let one person stand on the ladder to lift "L3C" and hold and let others fasten the screws connecting both ends of "D".
2. Please do not let go of holding "L3C" until all the "D" screws are installed.



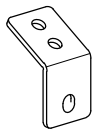
D2 4x



D1 2x



F8 2x



Q1 6x

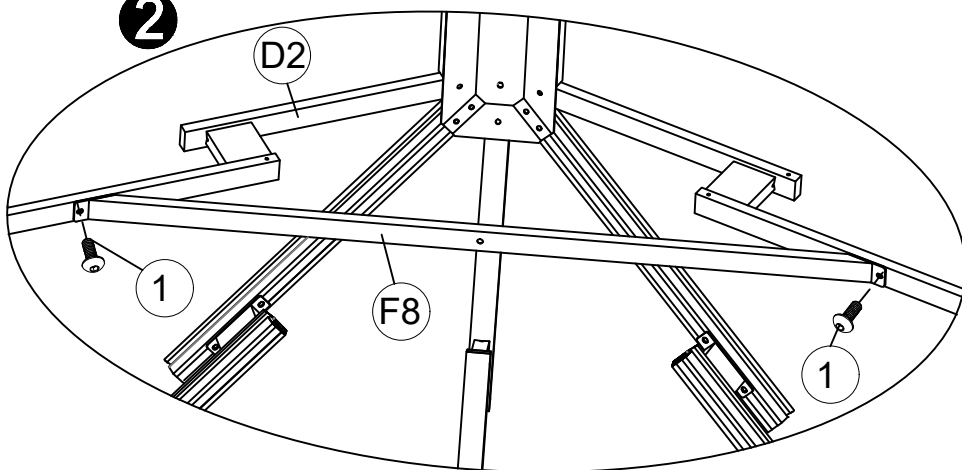


M6x15

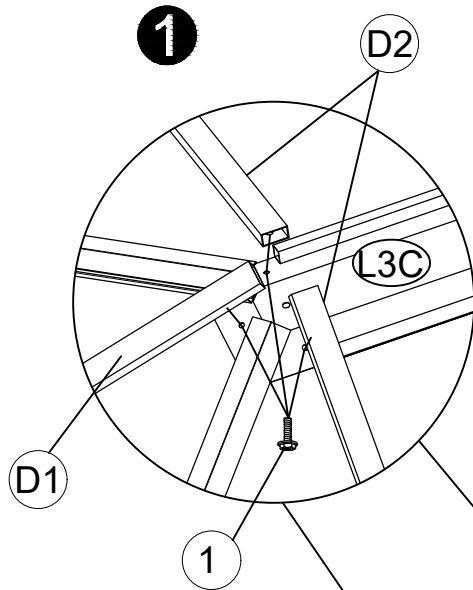
1 28x

<8>

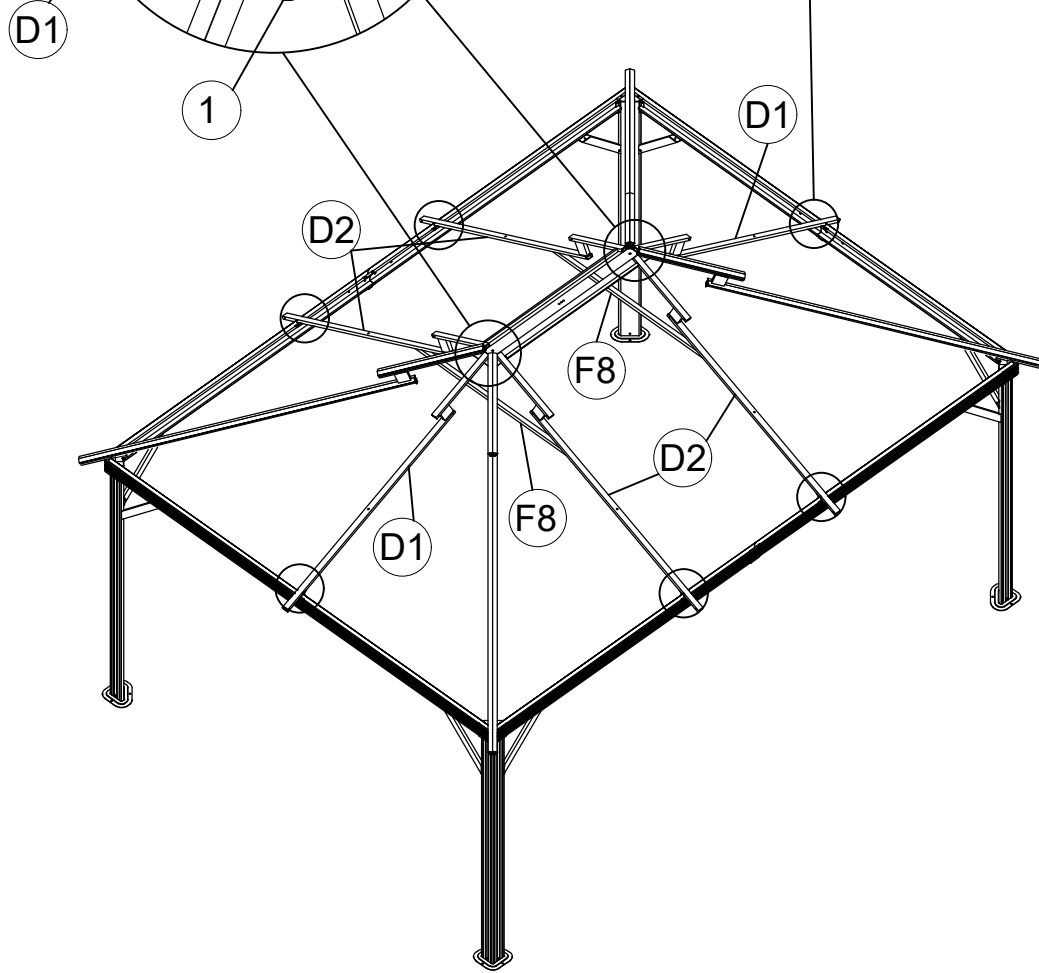
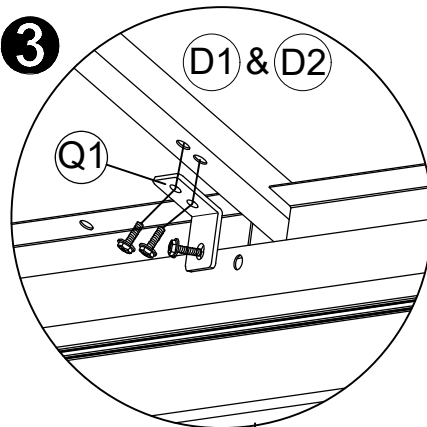
2



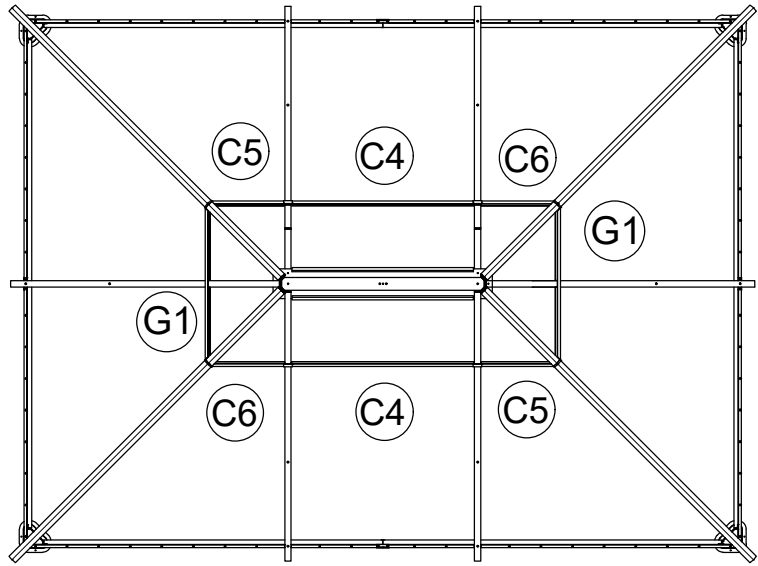
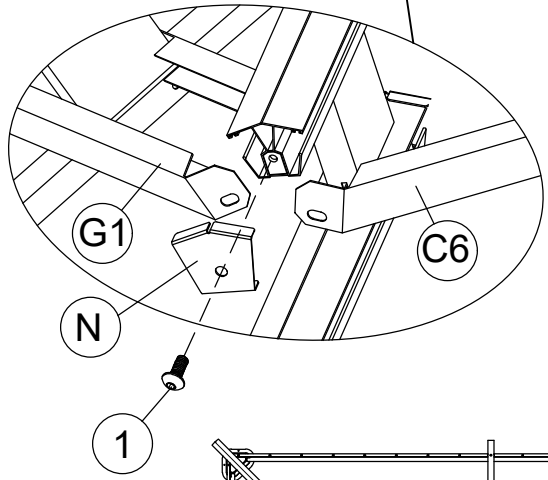
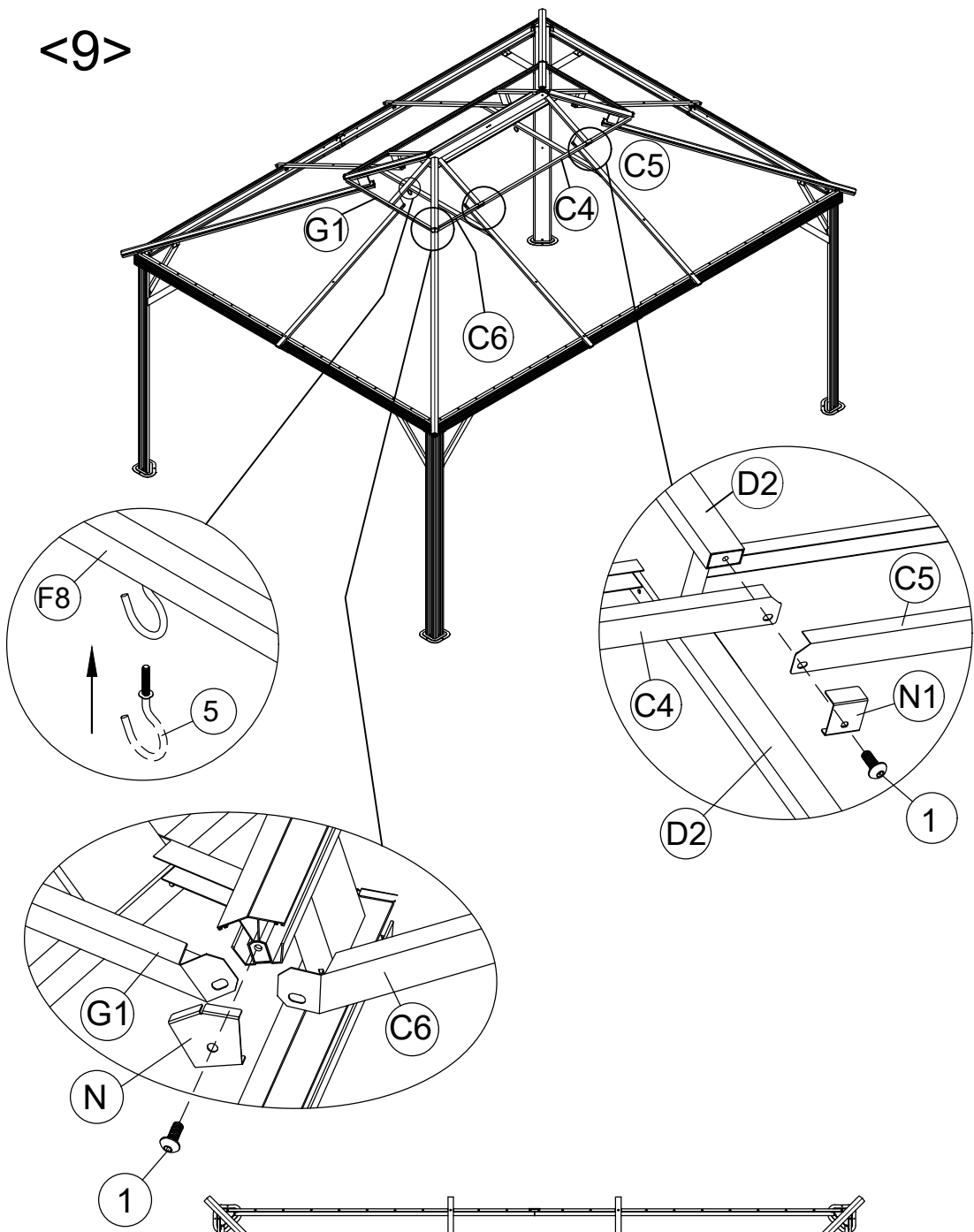
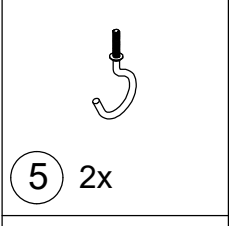
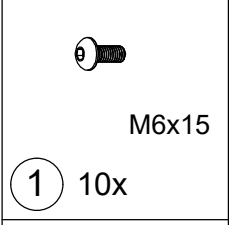
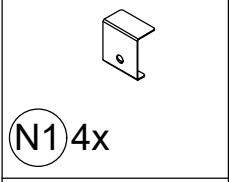
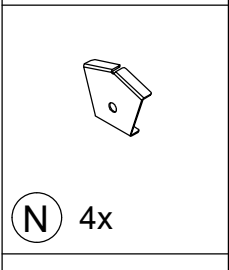
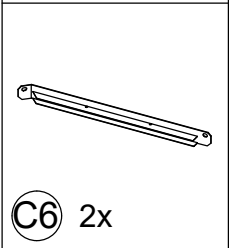
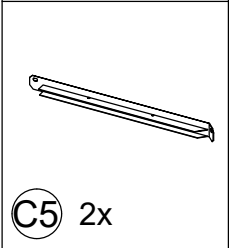
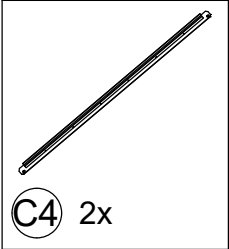
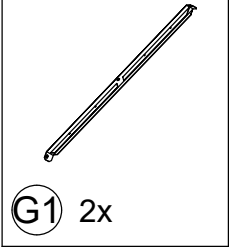
1

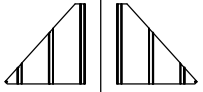


3



<9>

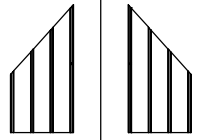




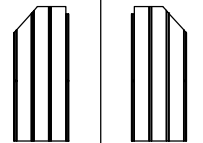
S1 2x S2 2x



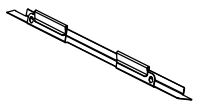
X1 2x X2 2x



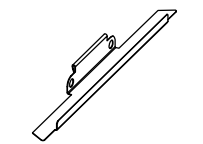
X3 2x X4 2x



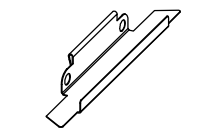
X5 2x X6 2x



Z 32x

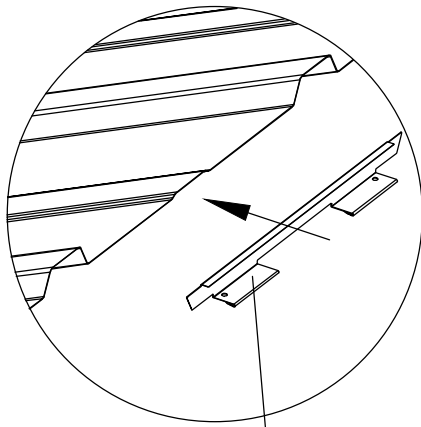


Z1 4x

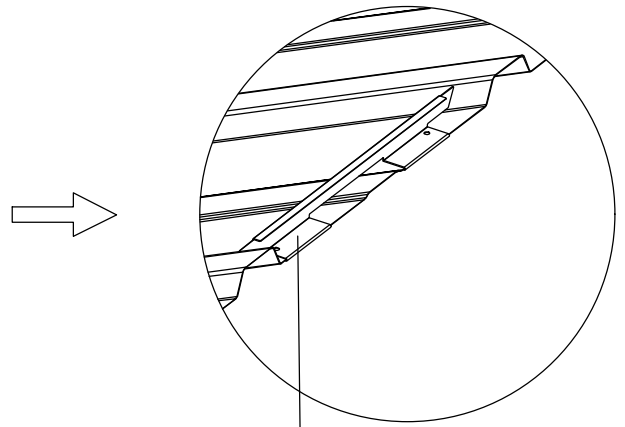


Z2 4x

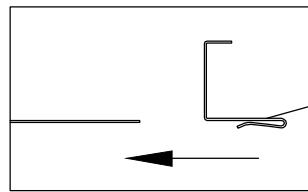
<10>



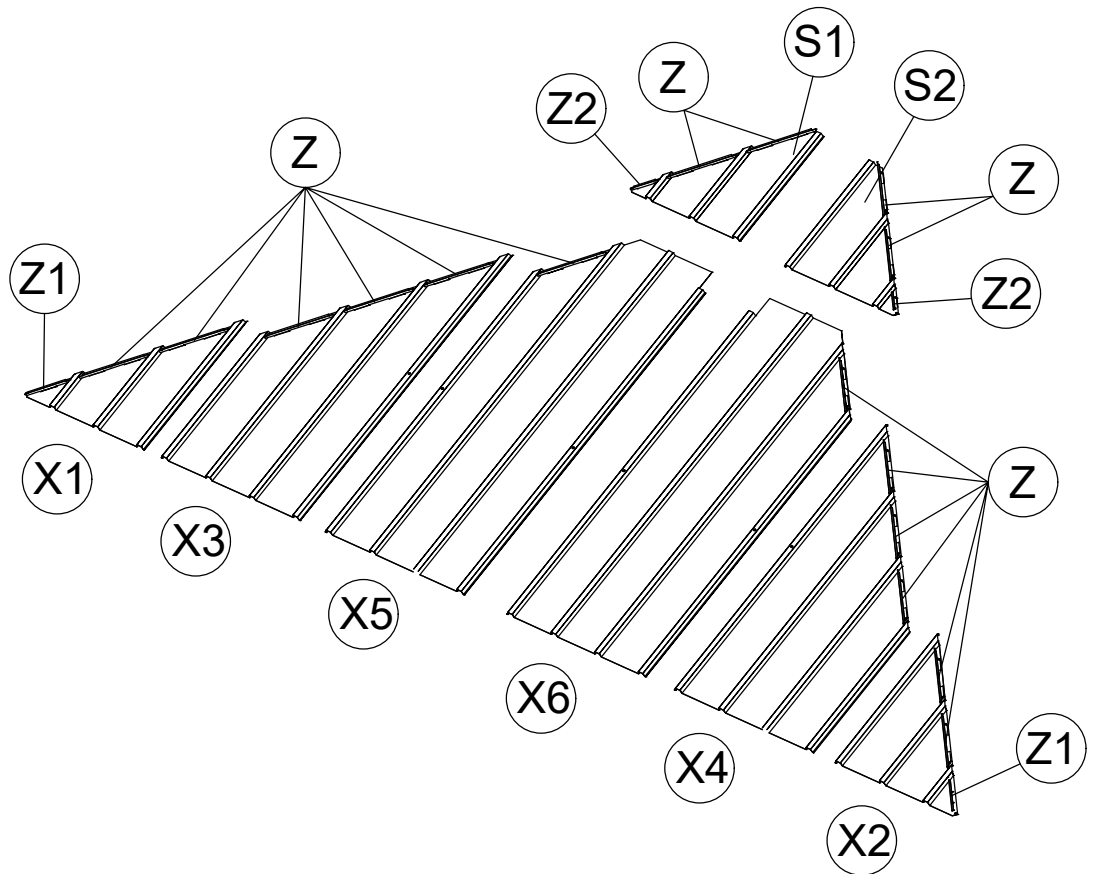
Z or Z1 or Z2

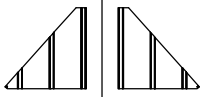


Z or Z1 or Z2

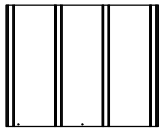


Z or Z1 or Z2

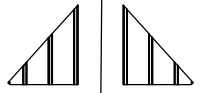




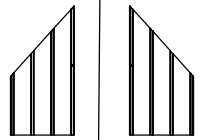
S1 2x S2 2x



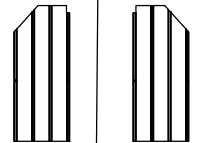
S3 4x



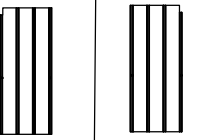
X1 2x X2 2x



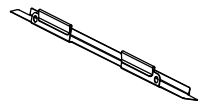
X3 2x X4 2x



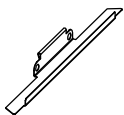
X5 2x X6 2x



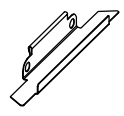
X7 2x X8 2x



Z 32x



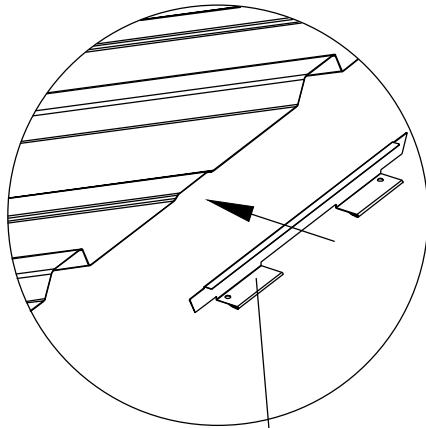
Z1 4x



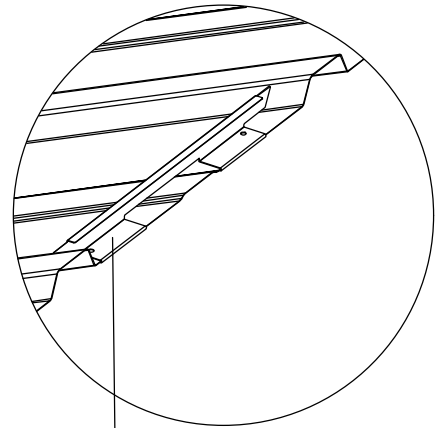
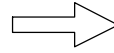
Z2 4x

15

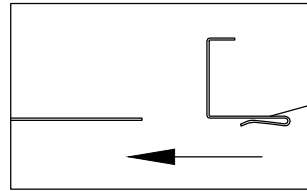
<11>



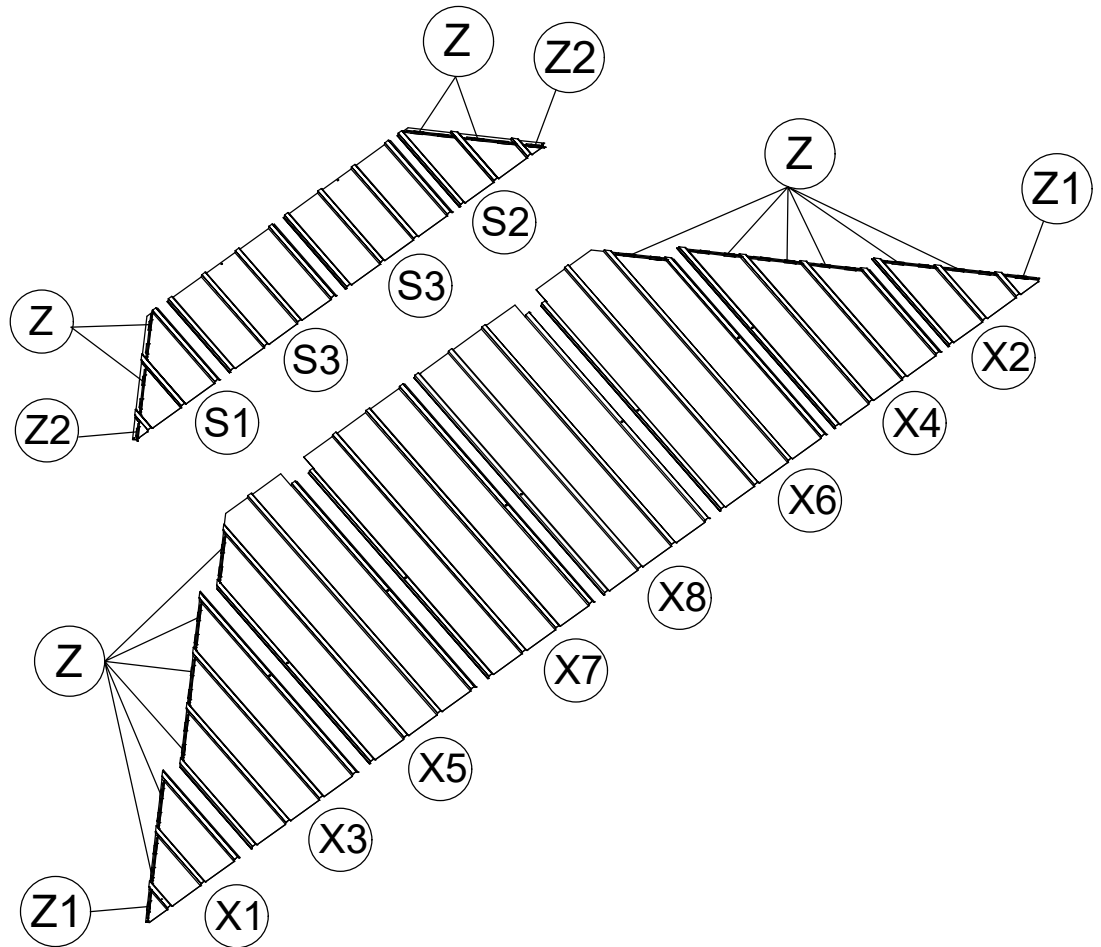
Z or Z1 or Z2



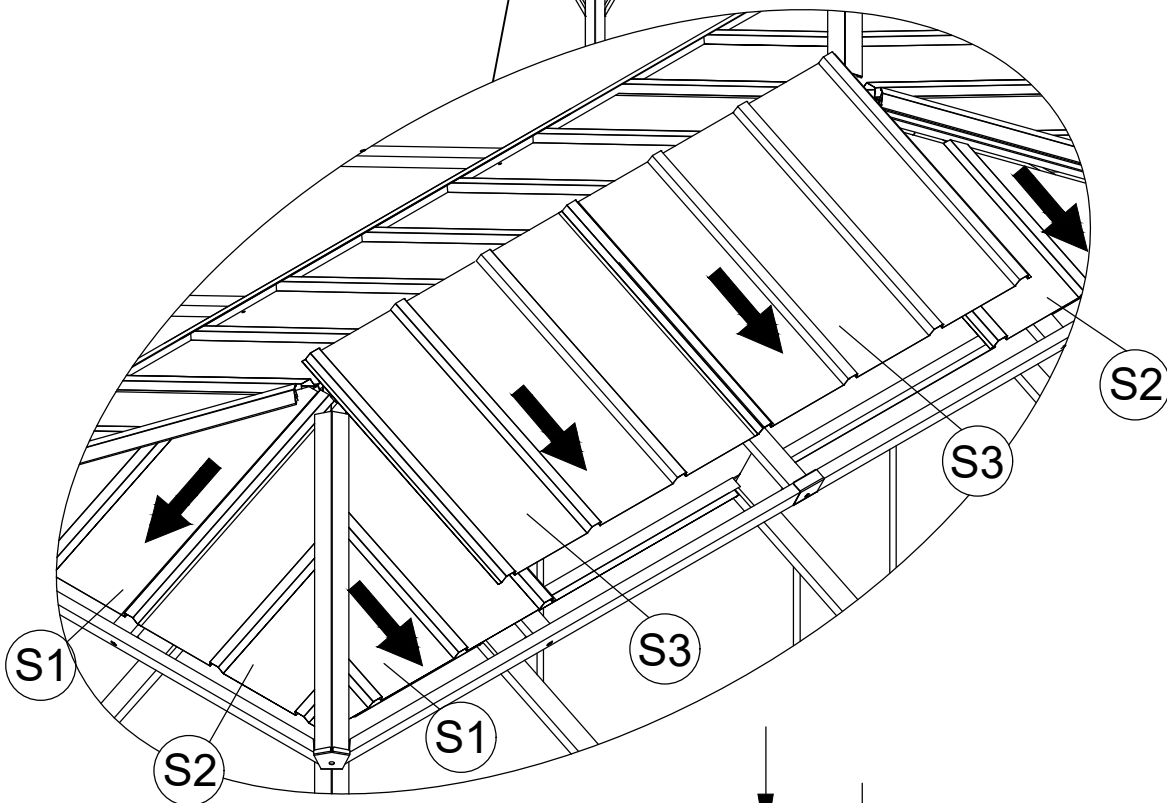
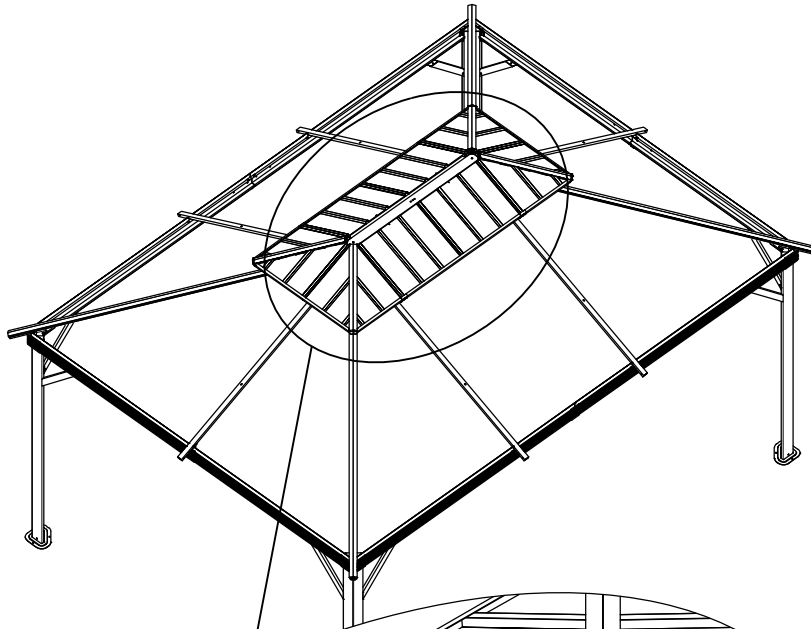
Z or Z1 or Z2



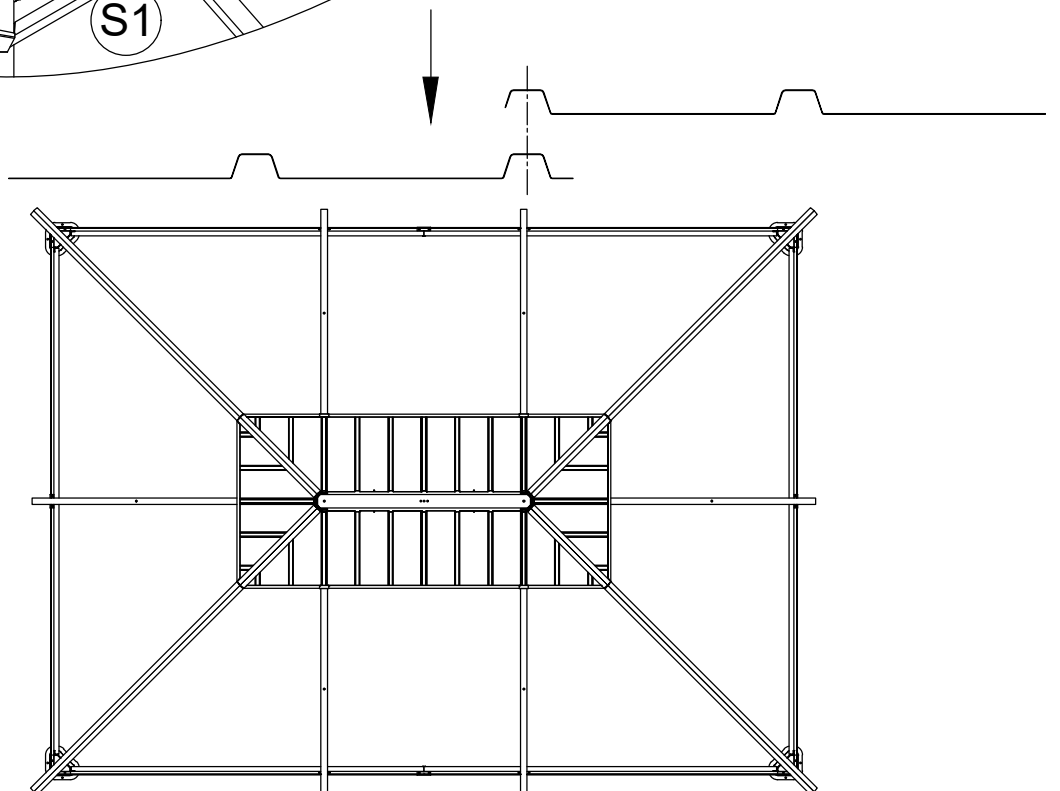
Z or Z1 or Z2



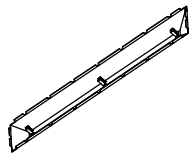
<12>



When installing the Roof plates (S2) onto short side, pls detach the right end of Roof Rib(G1) first. And then install the right end of Roof Rib (G1) again after S2 is installed.







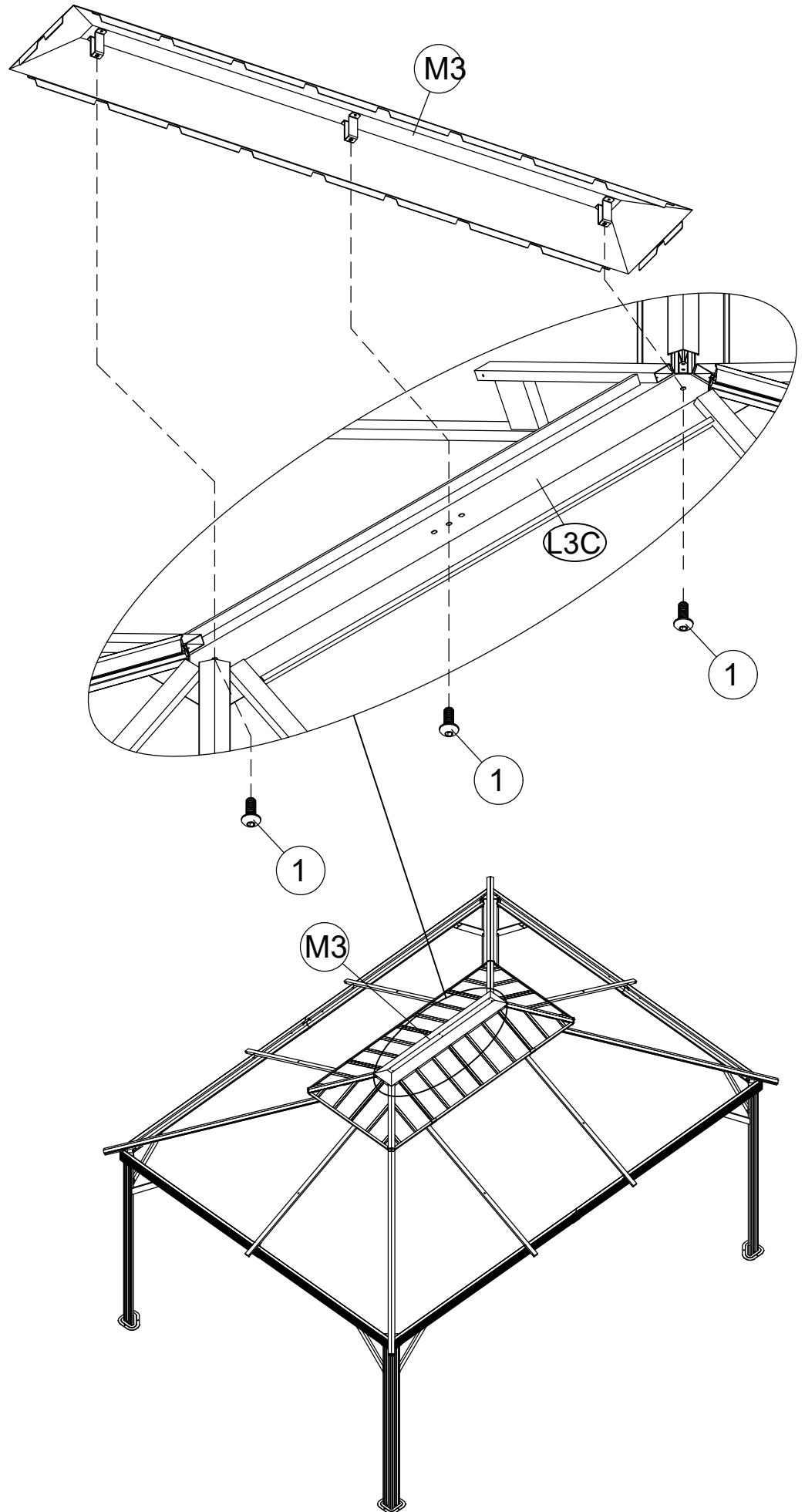
M3 1x



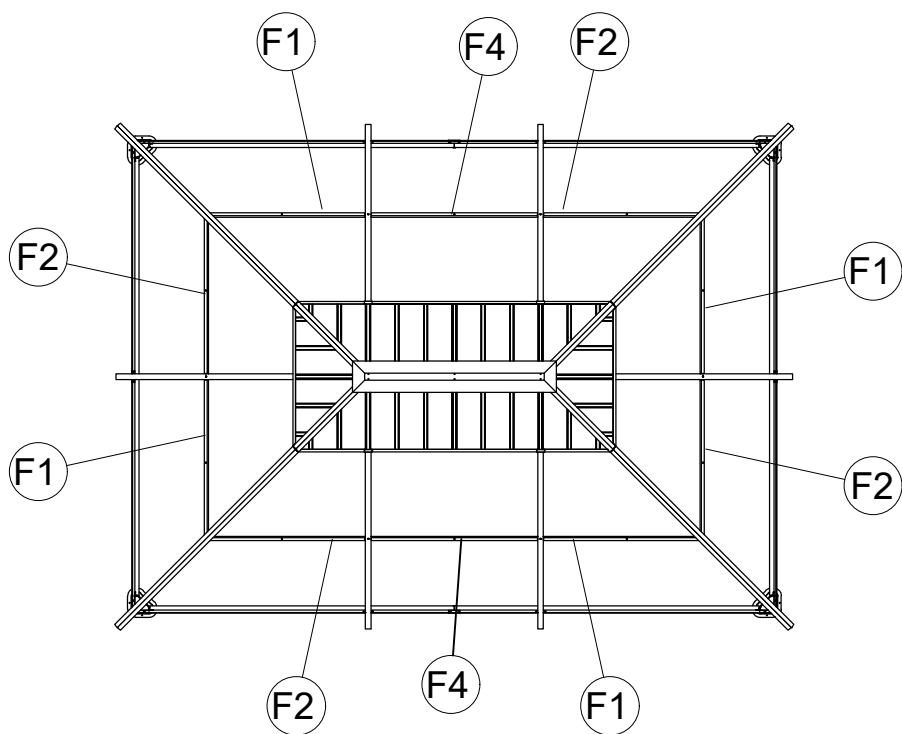
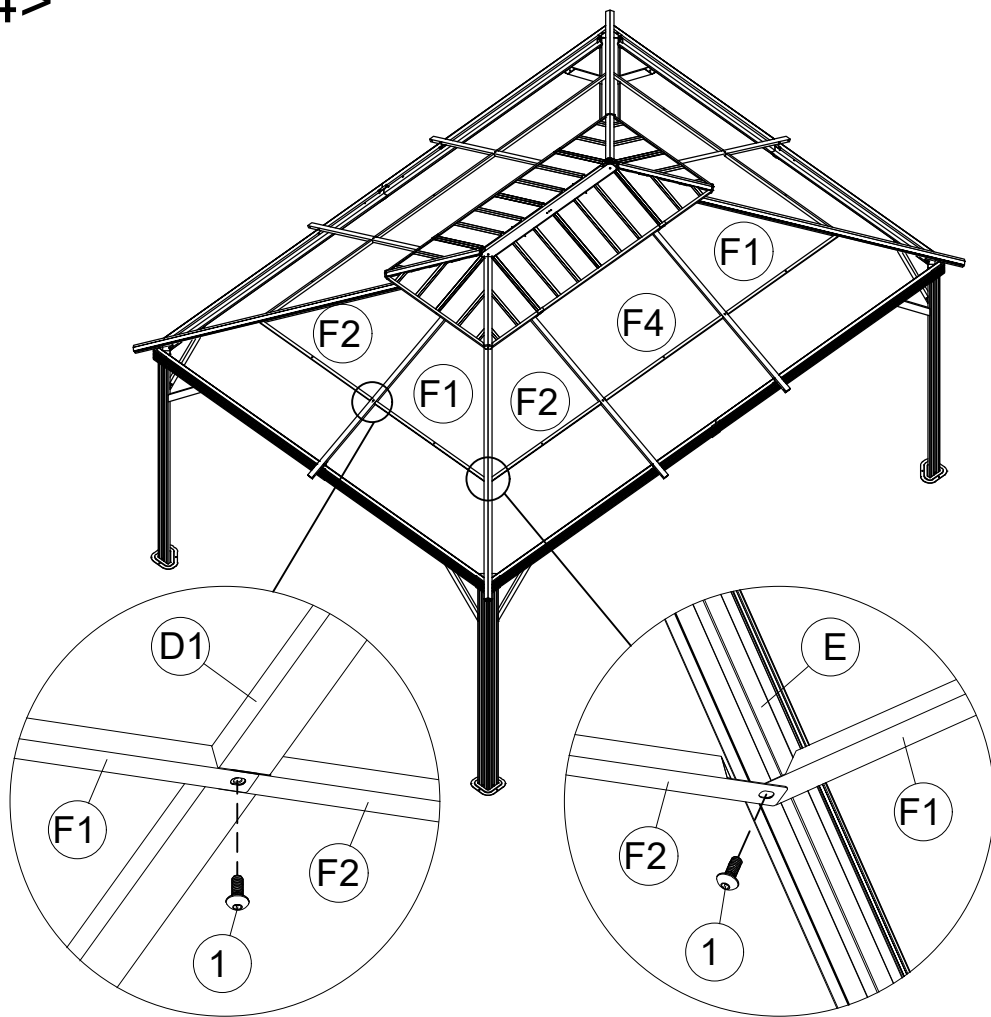
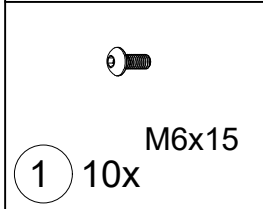
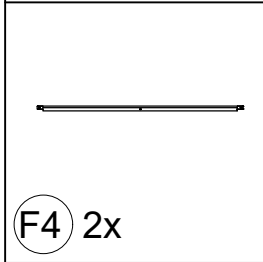
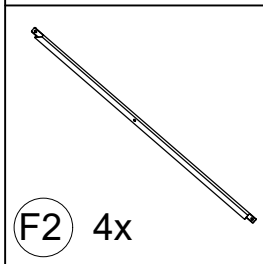
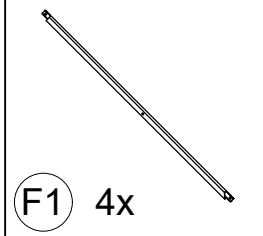
M6x15

1 3x

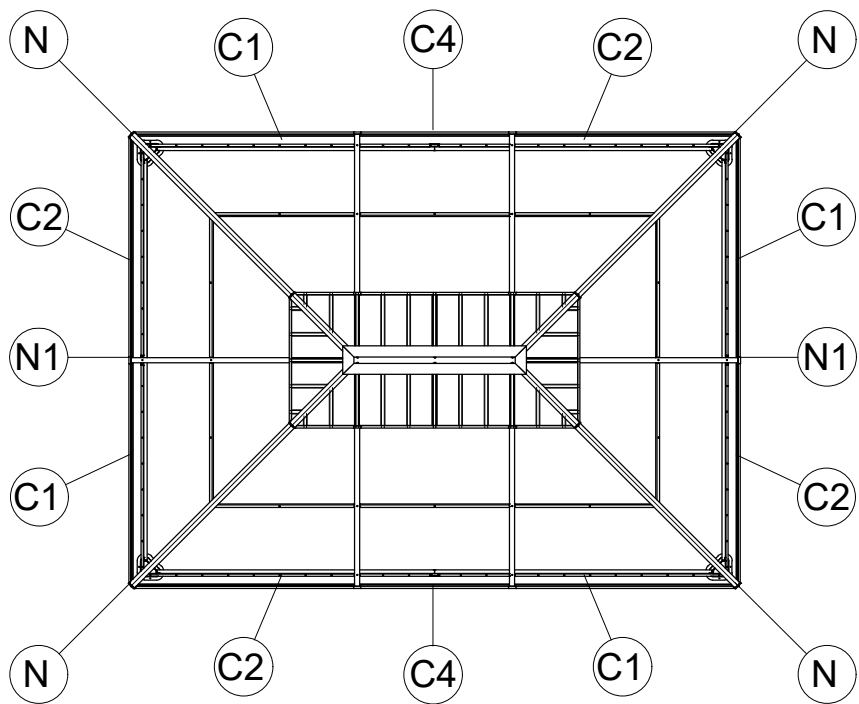
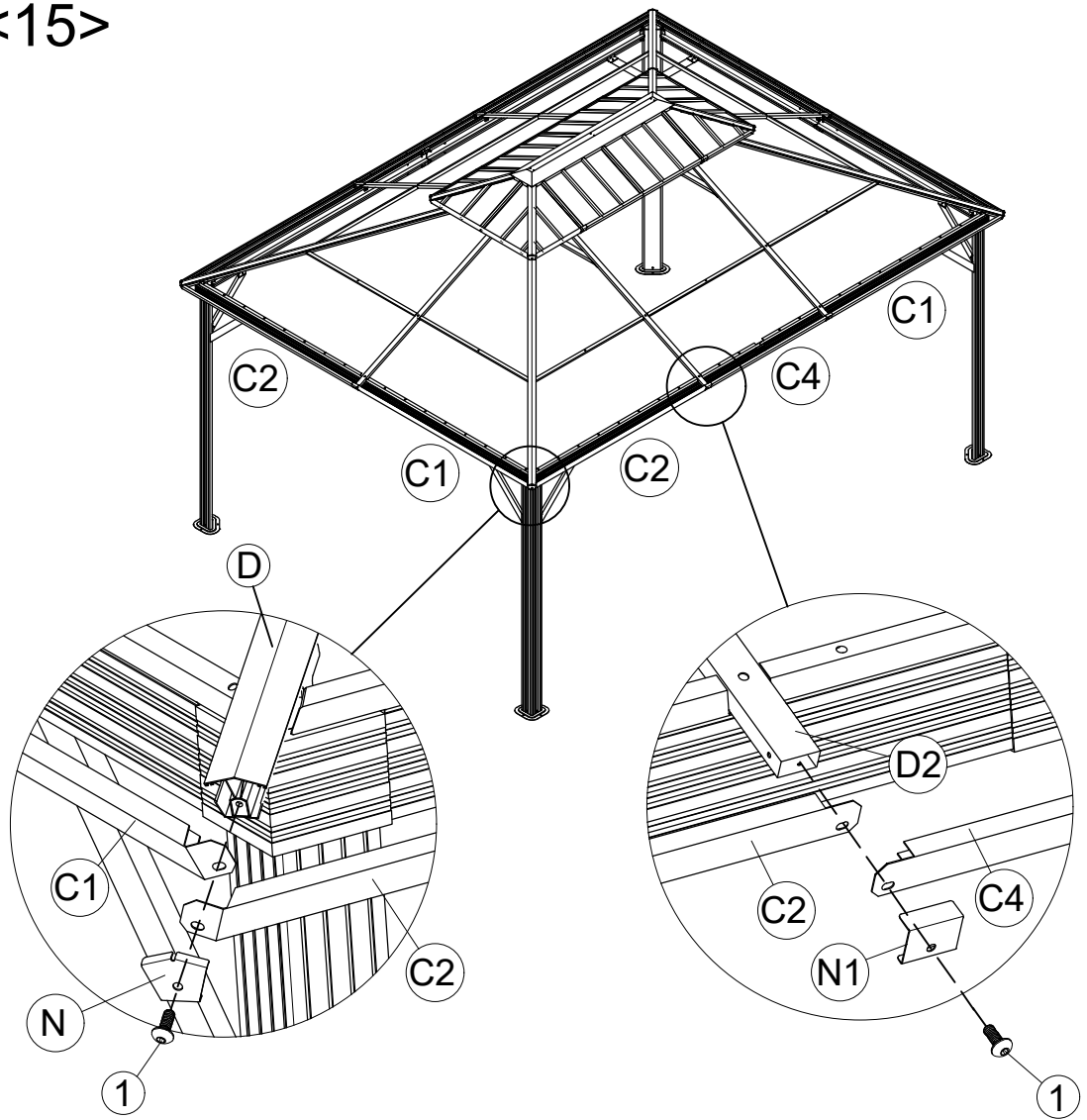
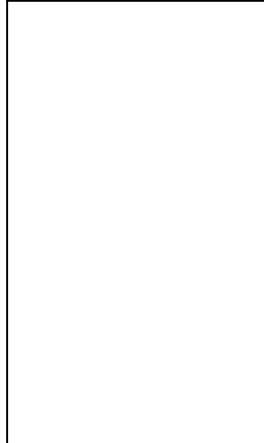
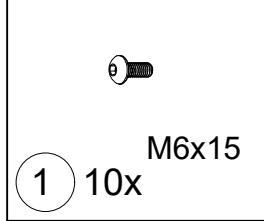
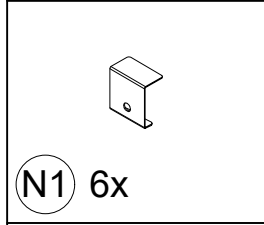
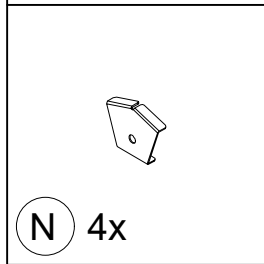
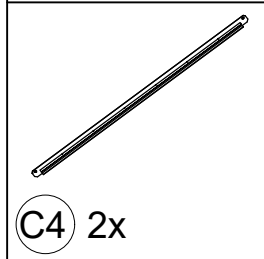
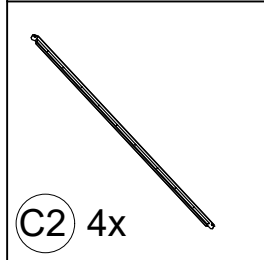
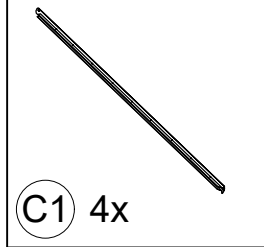
<13>



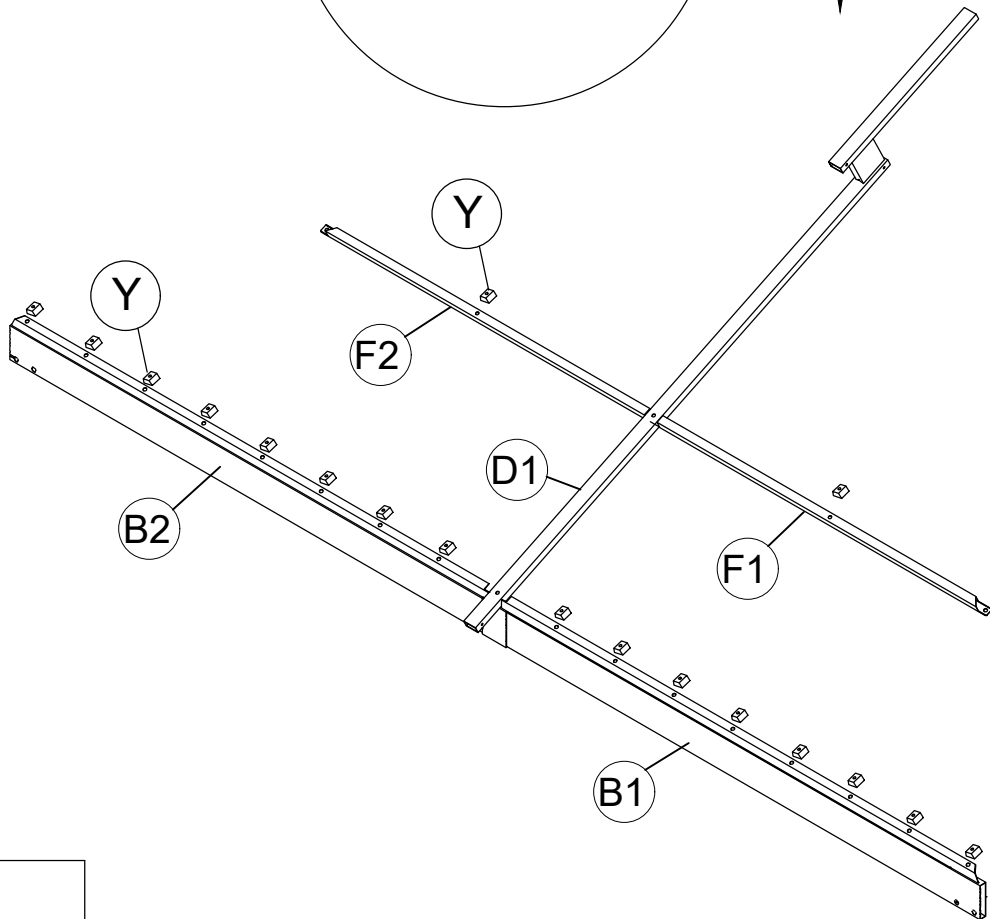
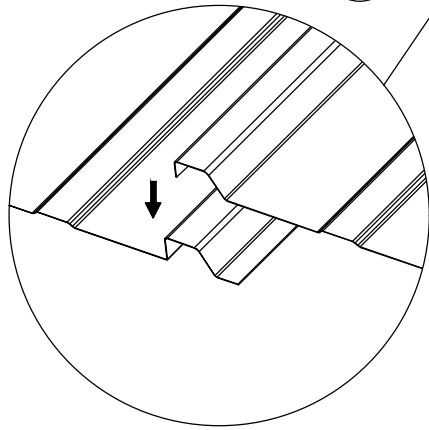
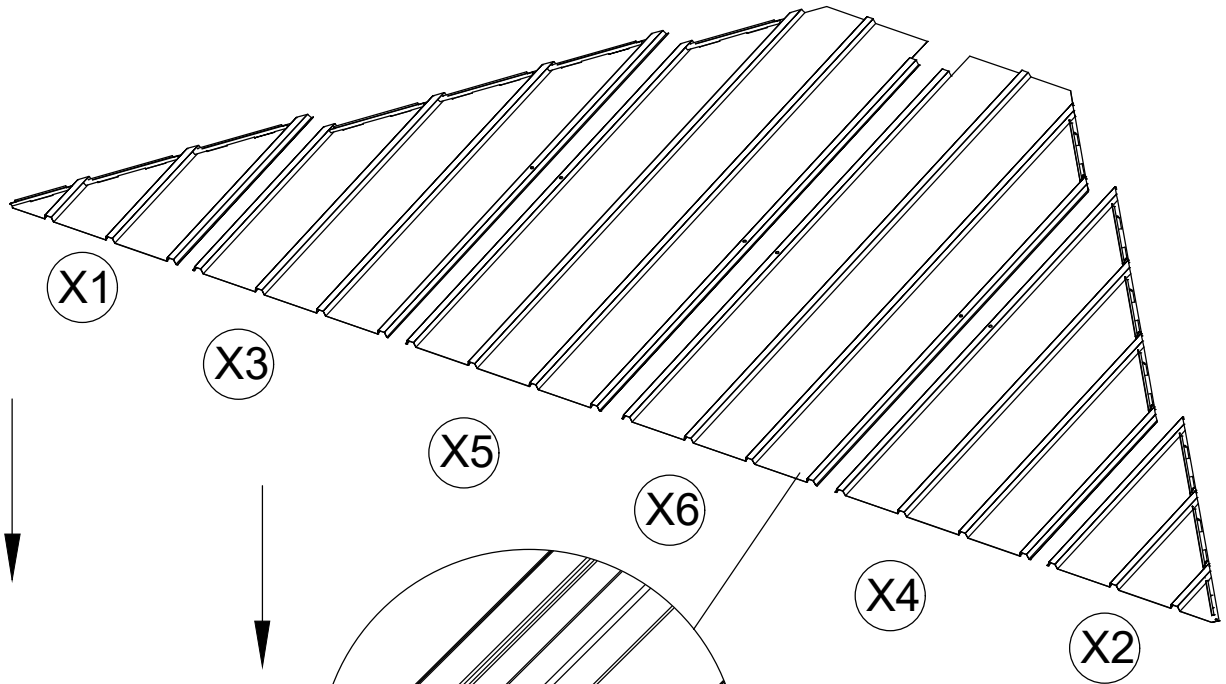
<14>



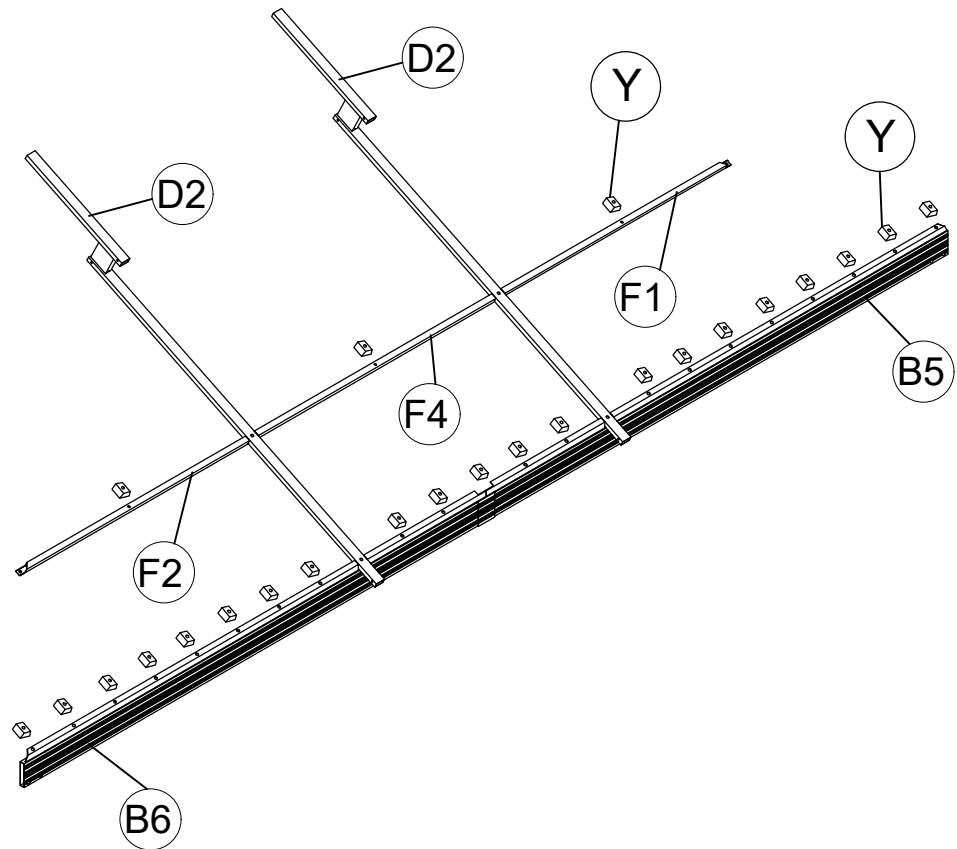
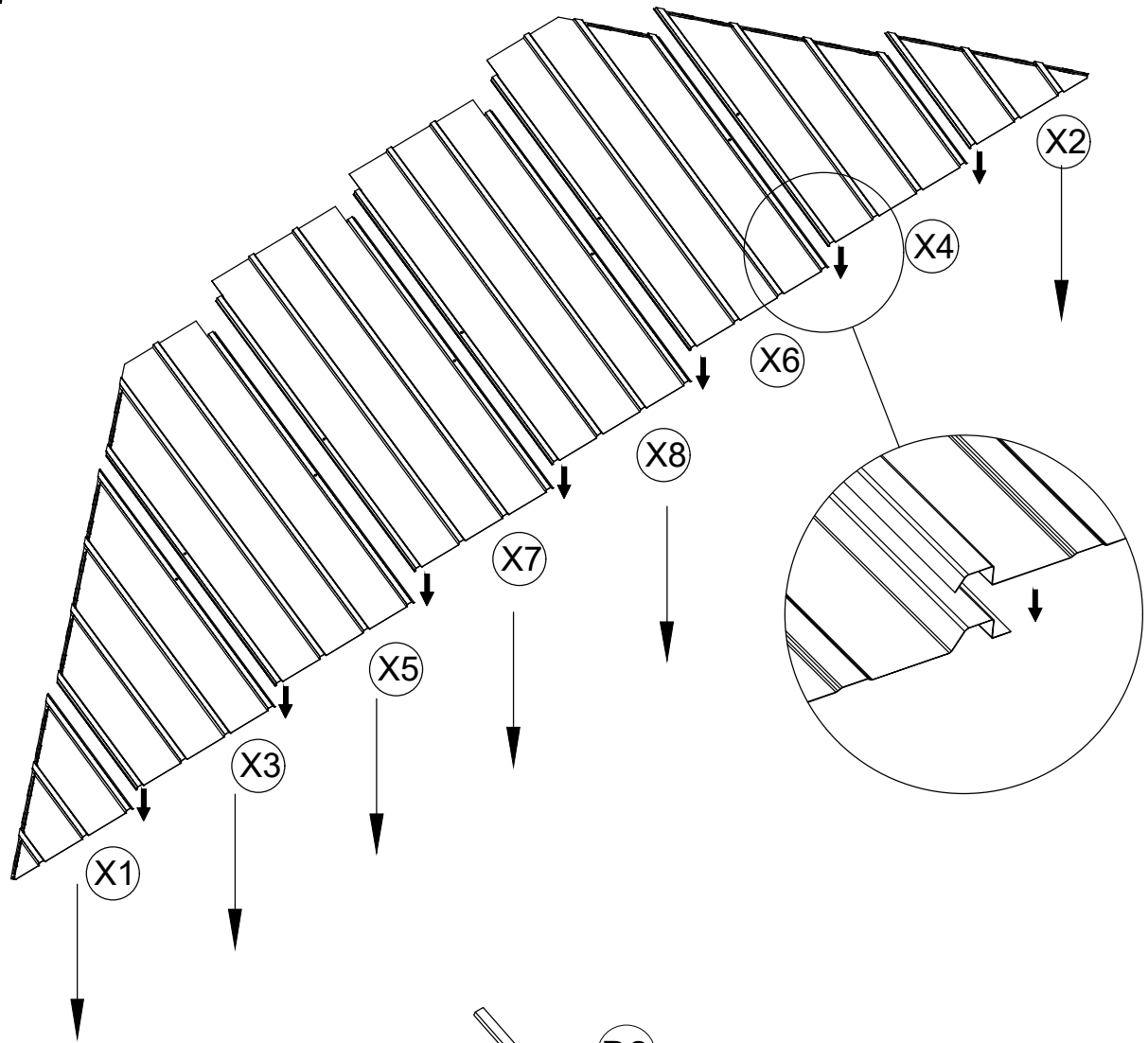
<15>



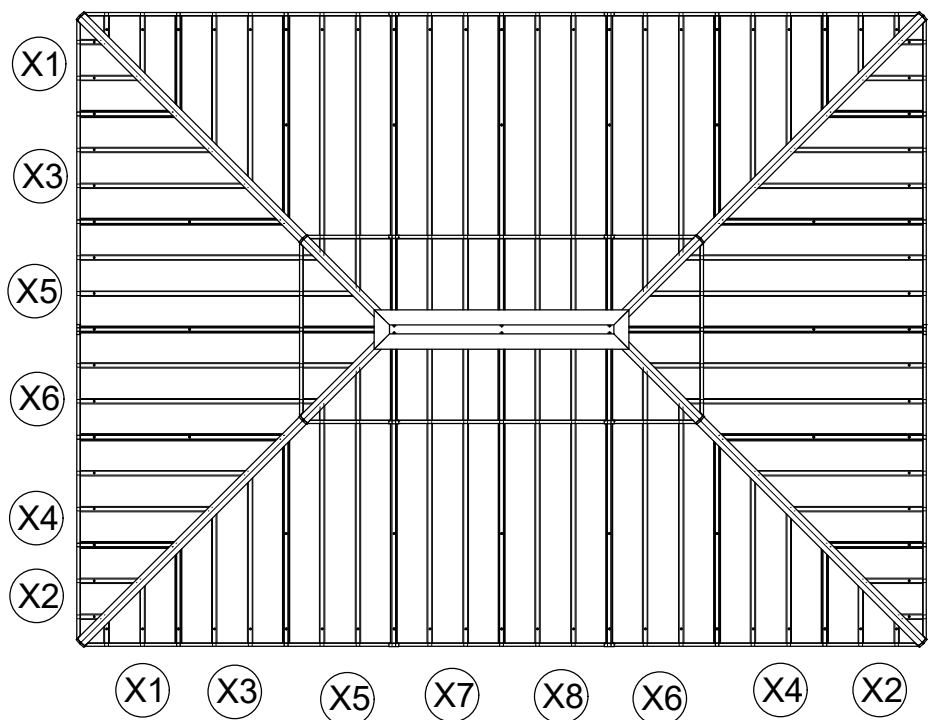
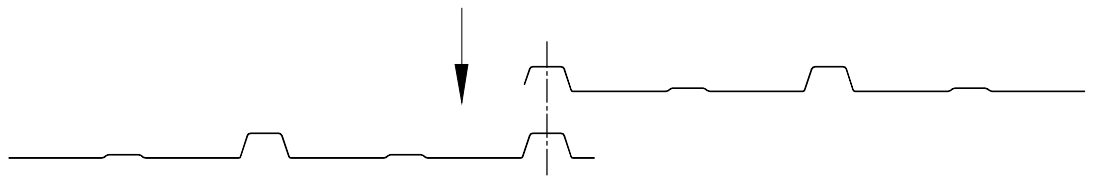
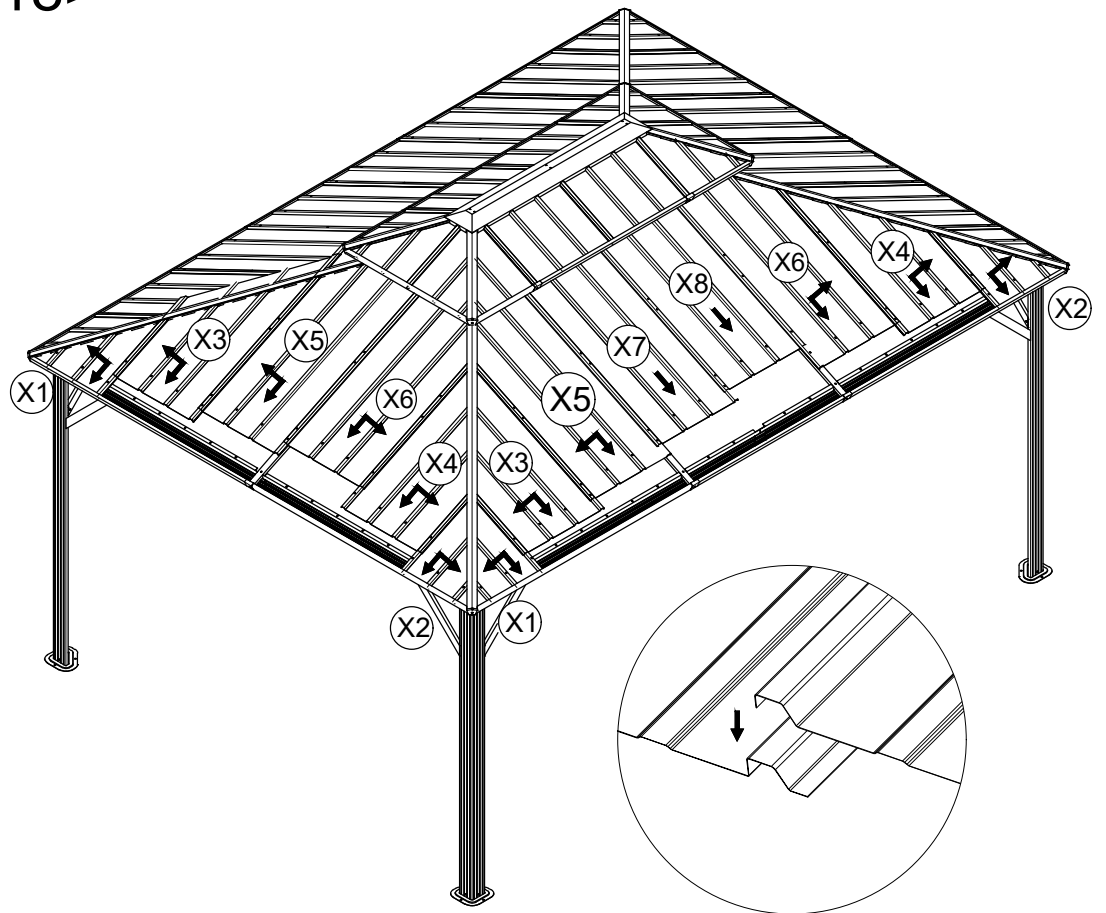
<16>



<17>



<18>





<19>

Y 84x



M6x25

3 12x



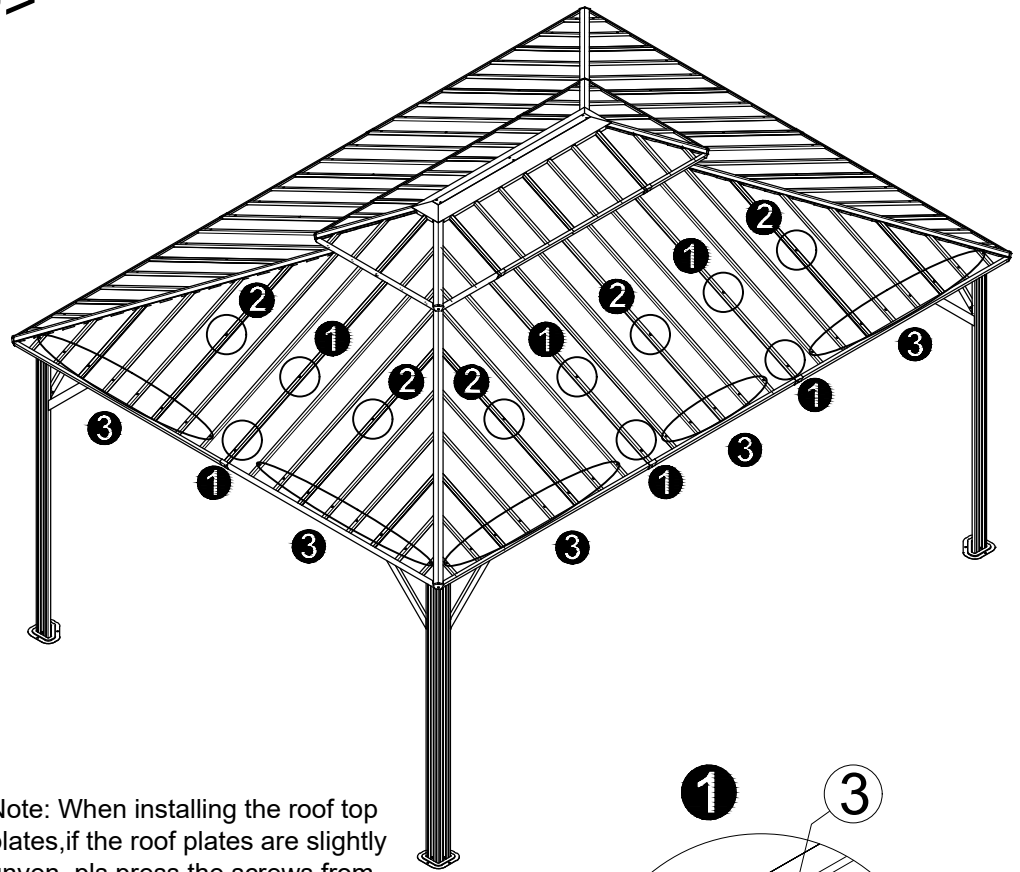
M6x23

2 74x

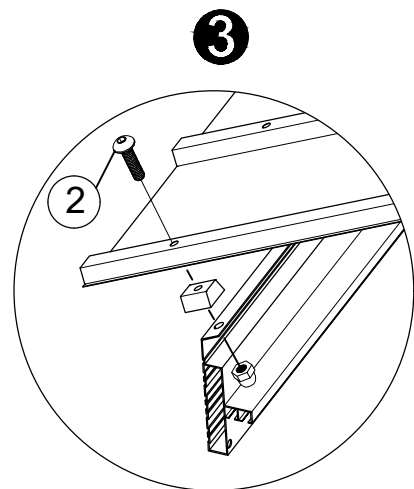
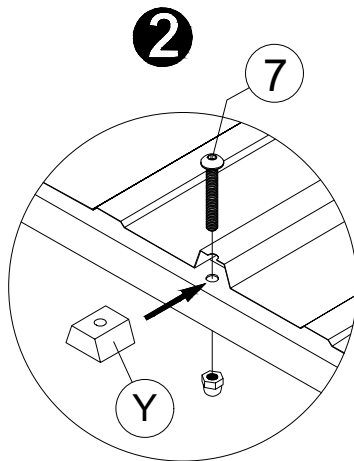
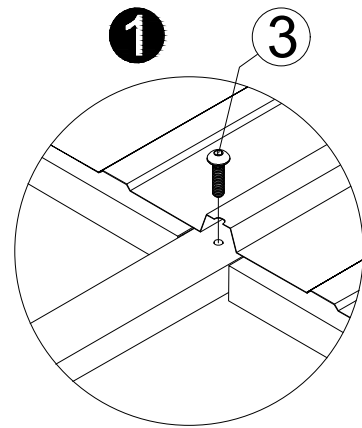


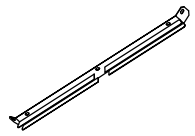
M6x45

7 10x



Note: When installing the roof top plates, if the roof plates are slightly uneven, pls press the screws from the top of the plates until the bottom screw thread is exposed by 3 to 4mm, and then screw on the nut.

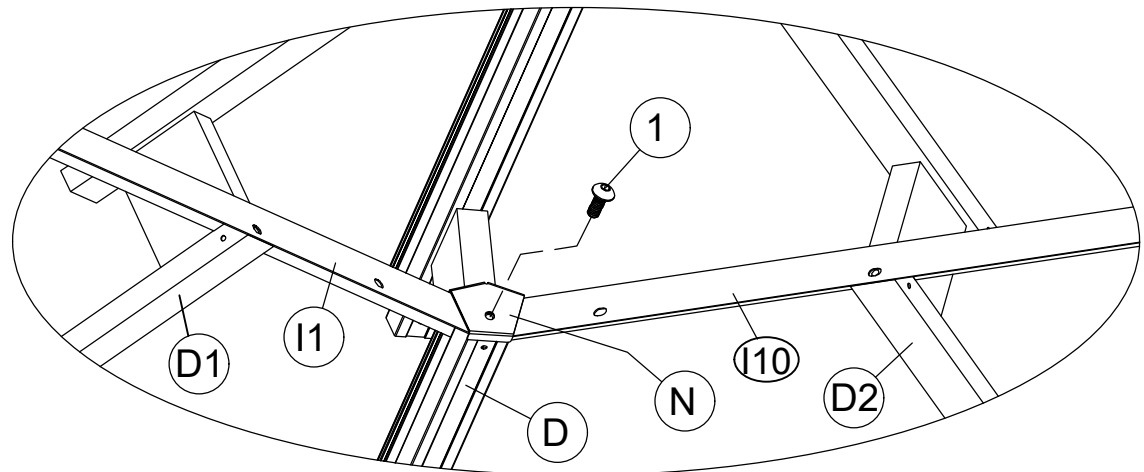




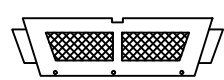
<20>

1

I1 2x

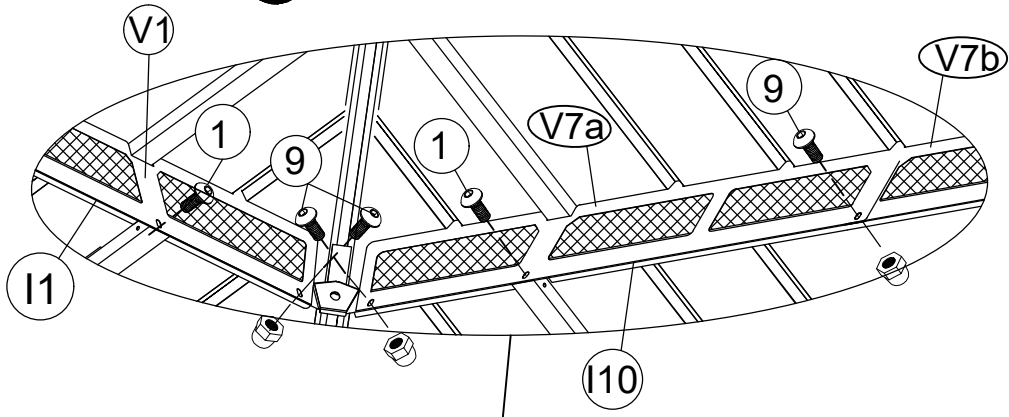
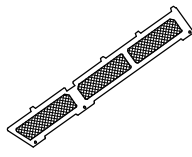


I10 2x

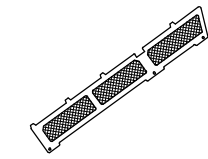


V1 2x

2



V7a 2x



V7b 2x



N 4x



M6x15

1 10x

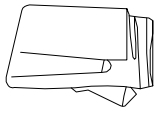


M6x10

9 10x

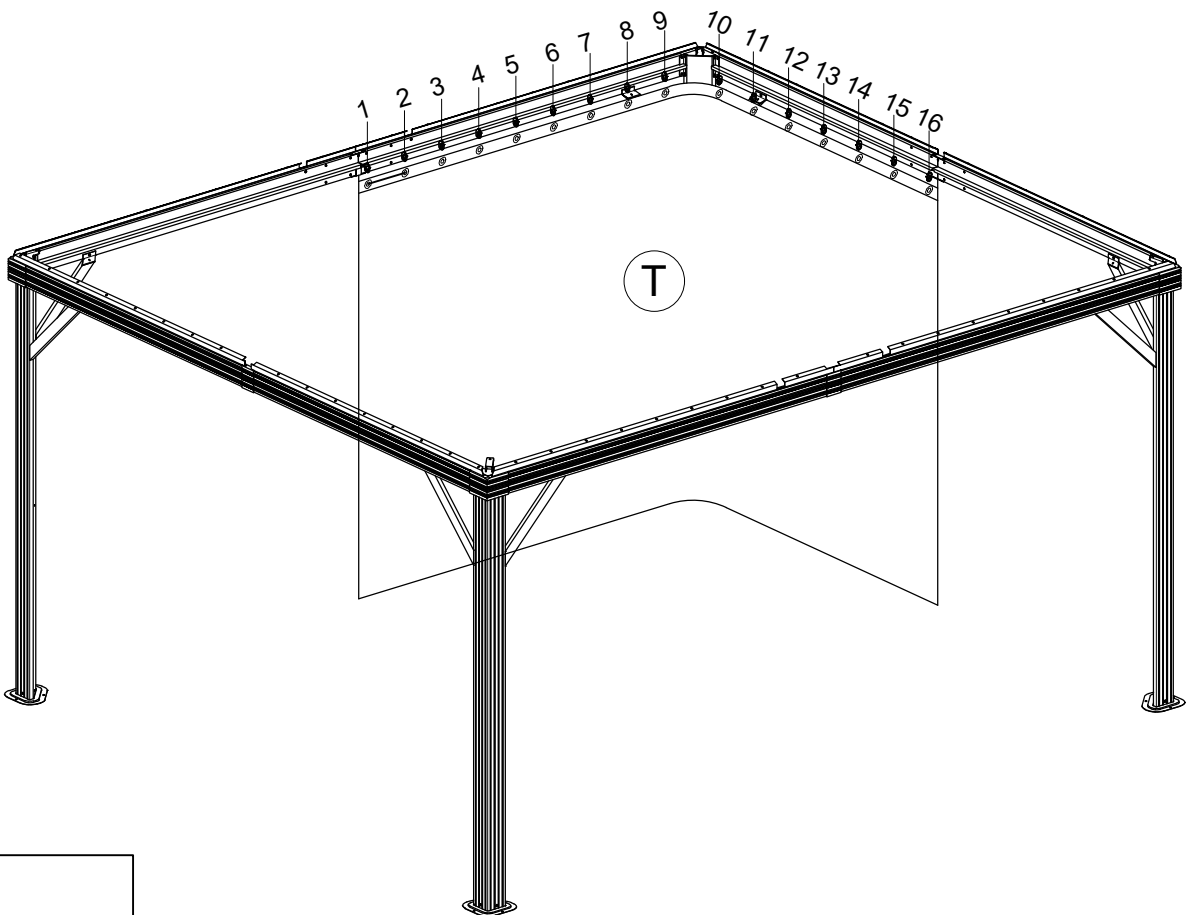
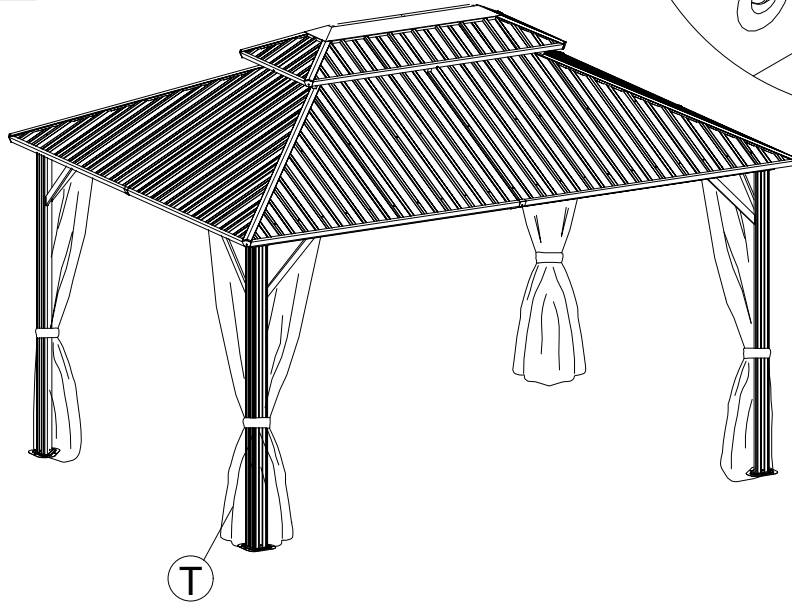
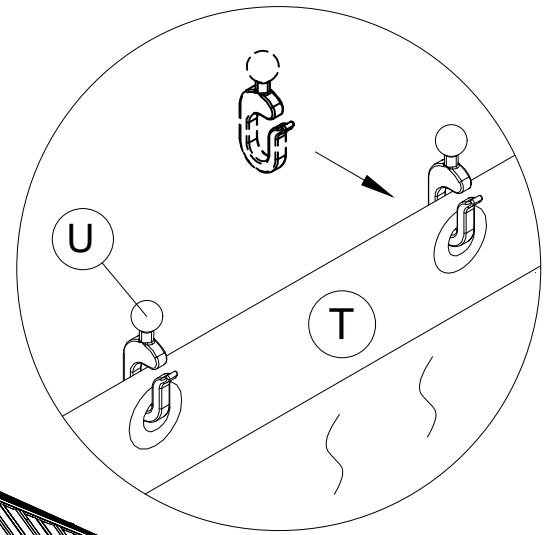
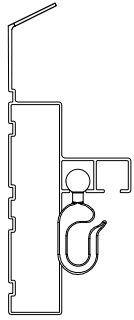


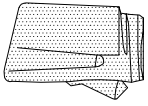




<21>

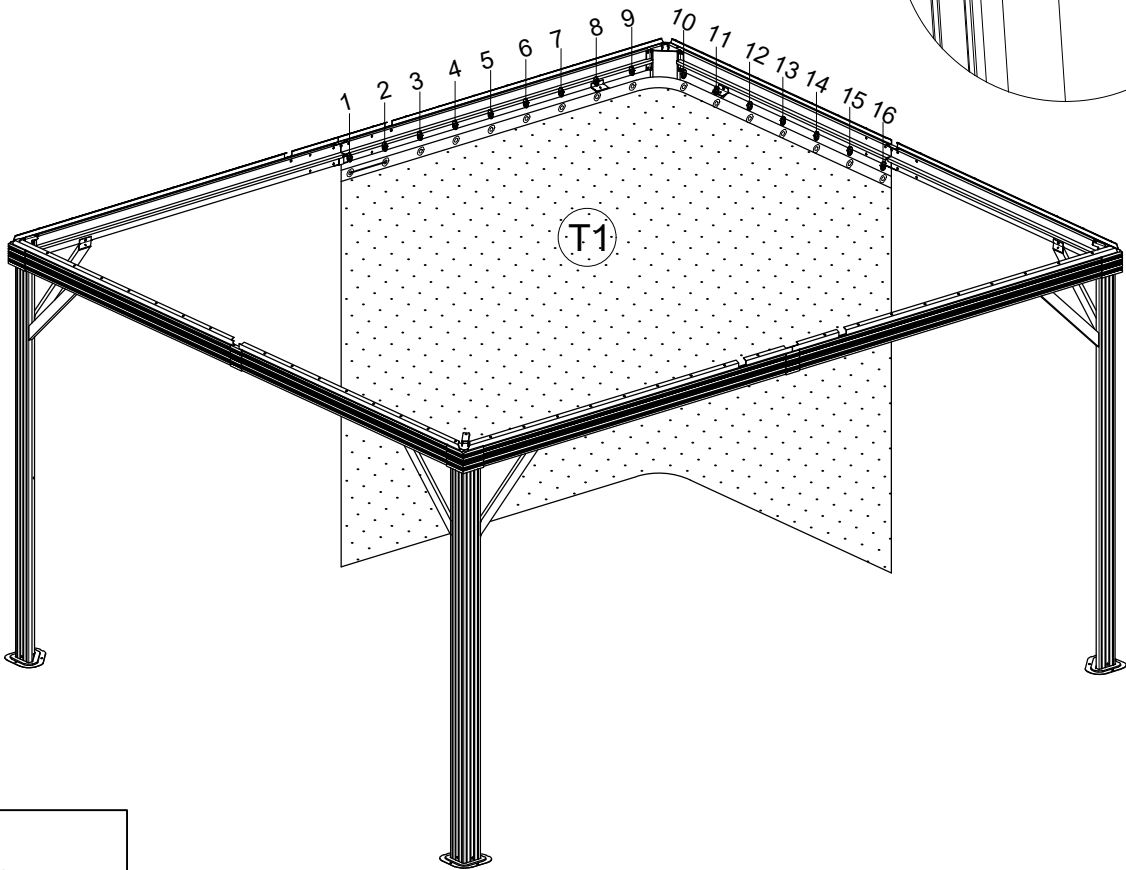
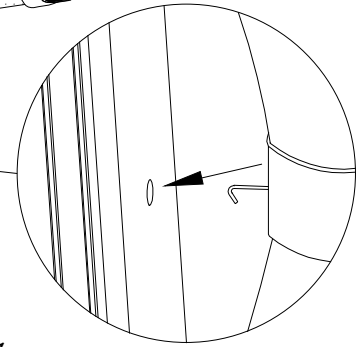
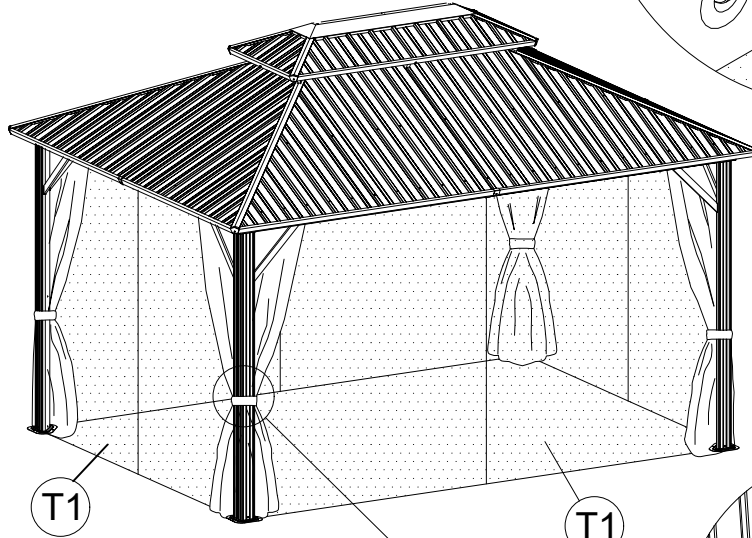
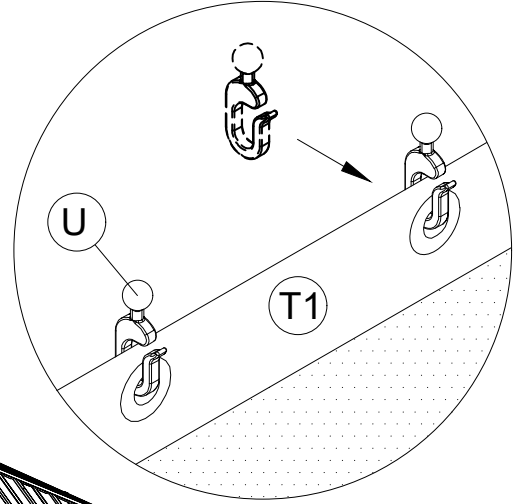
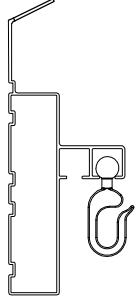
T 4x





<22>

T1 4x



Carton-1/5		Carton-3/5		Carton-4/5	
Part	Qty	Part	Qty	Part	Qty
A	4	B1	2	X3	4
B5	2	B2	2	X4	4
B6	2	C4	4	X5	4
Z	64	F8	2	X6	4
Z1	8	M3	1	X7	2
Z2	8	L3C	1	X8	2
		K	4		
		K1	4		
		N	12		
		N1	10		
Carton-2/5		V	4	Carton-5/5	
Part	Qty	Q1	6	Part	Qty
D	4	Y	84	X1	4
E5	4	U	128	X2	4
D1	2	V1	2	S1	4
D2	4	V7a	2	S2	4
C1	4	V7b	2	S3	4
C2	4	T	4		
C5	2	T1	4		
C6	2	1.2.3.4.5.7.8.9. 10.11.12.13.14	1		
G1	2				
I1	2				
I10	2				
F1	4				
F2	4				
F4	2				
H	4				
H1	4				
P	4				
J	4				