

**WQG-012GY&WQG-012MS**  
**INSTRUCTION MANUAL**  
**10 FT x12 FT Double Roof Soft Top Gazebo**

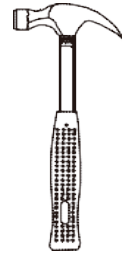
**Note: The gazebo needs to be installed in cooperation with five people.  
The following tools are not included and needed for assembly:**



Pistol Drill



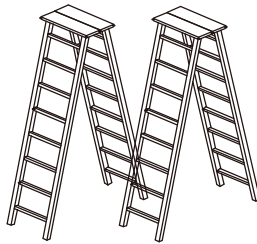
Tape Measure



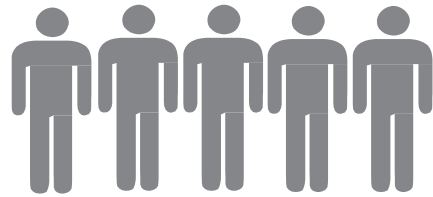
Hammer



Screw Driver



Ladder



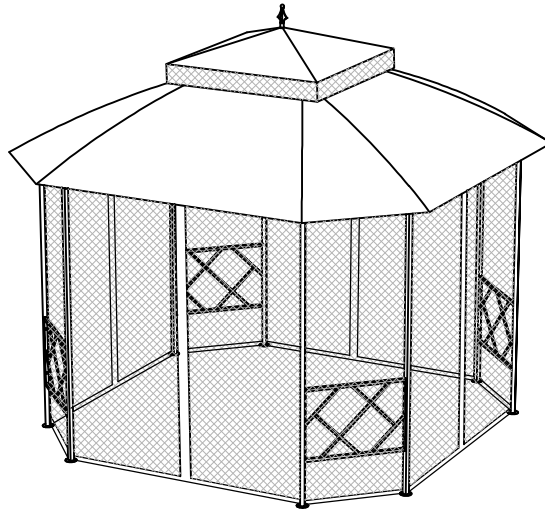
5 people

### Warning

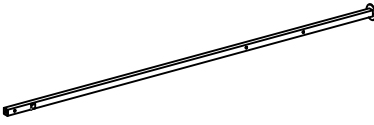
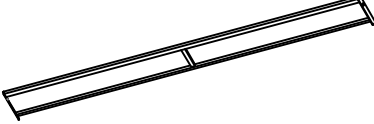
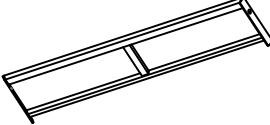


1. 5 person assembly is required for this gazebo.
2. Please take appropriate actions as heavy rain, wind and snow can damage the gazebo. If necessary please dis-assemble and store for later use.

## Attention:

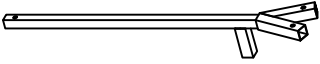

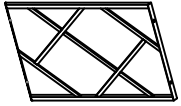
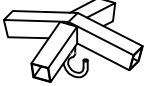
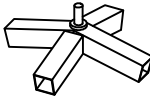

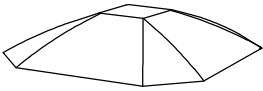
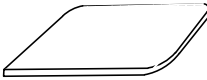
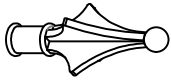

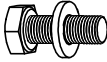


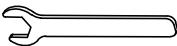
1. Please fix all the screws first, do not lock off, after assembling is fully completed, lock all at once finally
2. Please check the manual carefully and make sure you have received all the parts.
3. If there is any missing, please let us know the letter of the parts you need.
4. If there is any damage, please send clear photos to us, we will check and offer you best solution soon



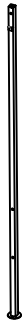
## Parts List (Box A)

<p><b>A</b></p>  <p>Post</p>	<p><b>B</b></p>  <p>Screen-L</p>	<p><b>C</b></p>  <p>Screen-S</p>
<p>8 PCS</p>	<p>4 PCS</p>	<p>4 PCS</p>
<p><b>D</b></p>  <p>Diagonal Bar</p>	<p><b>E</b></p>  <p>Top Bar</p>	
<p>8 PCS</p>	<p>4 PCS</p>	

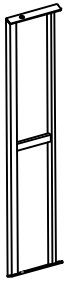
## Parts List (Box B)

<p><b>F</b></p>  <p style="text-align: center;">Connector</p> <p style="text-align: center;"><b>4 PCS</b></p>	<p><b>G</b></p>  <p style="text-align: center;">"U" Support</p> <p style="text-align: center;"><b>8 PCS</b></p>	<p><b>H</b></p>  <p style="text-align: center;">Fence</p> <p style="text-align: center;"><b>4 PCS</b></p>
<p><b>I1</b></p>  <p style="text-align: center;">Top Connector 1</p> <p style="text-align: center;"><b>1 PC</b></p>	<p><b>I2</b></p>  <p style="text-align: center;">Top Connector 2</p> <p style="text-align: center;"><b>1 PC</b></p>	<p><b>J1</b></p>  <p style="text-align: center;">Vent Cover</p> <p style="text-align: center;"><b>1 PC</b></p>
<p><b>J2</b></p>  <p style="text-align: center;">Main Canopy</p> <p style="text-align: center;"><b>1 PC</b></p>	<p><b>K</b></p>  <p style="text-align: center;">Mosquito netting</p> <p style="text-align: center;"><b>1 PC</b></p>	<p><b>M</b></p>  <p style="text-align: center;">Final</p> <p style="text-align: center;"><b>1 PC</b></p>
<p><b>N</b></p>  <p style="text-align: center;">Plastic ring</p> <p style="text-align: center;"><b>44 PCS</b></p>	<p><b>AA</b></p>  <p style="text-align: center;">Blot M6x15</p> <p style="text-align: center;"><b>32 PCS</b></p>	<p><b>BB</b></p>  <p style="text-align: center;">Blot M6x30</p> <p style="text-align: center;"><b>8 PCS</b></p>
<p><b>CC</b></p>  <p style="text-align: center;"><b>16 PCS</b></p>	<p><b>DD</b></p>  <p style="text-align: center;"><b>2 PCS</b></p>	

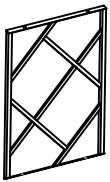
<1>



(A) 8x

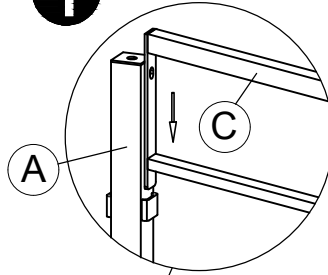


(C) 4x

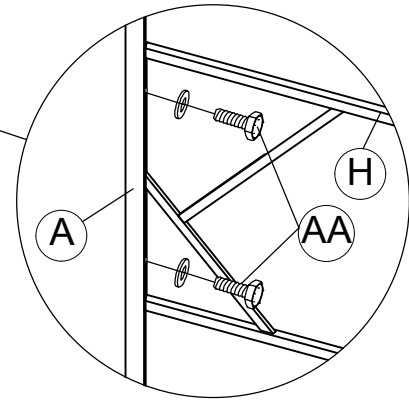
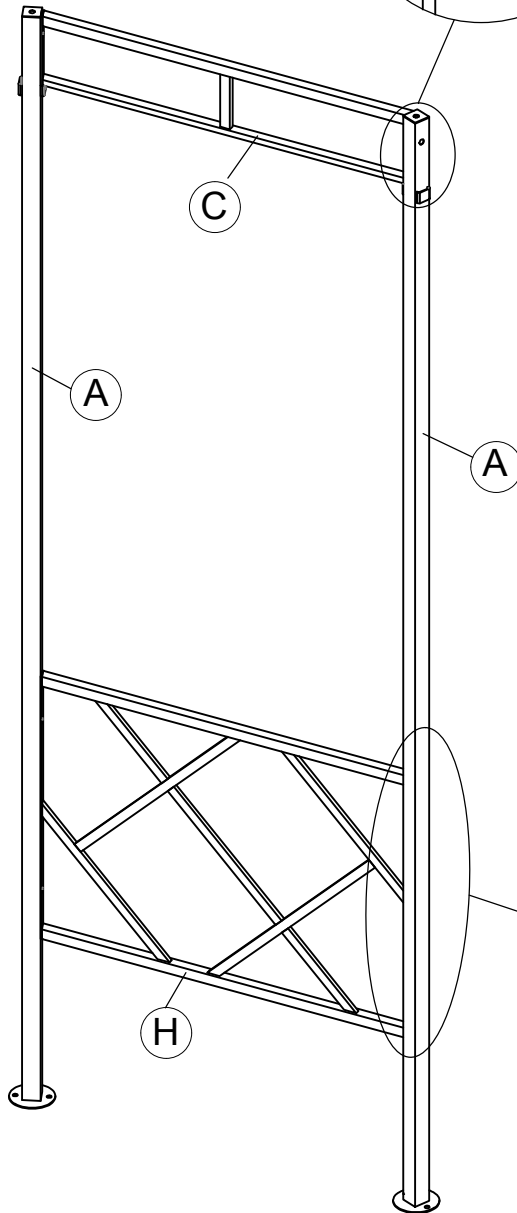
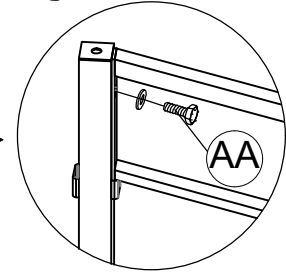


(H) 4x

1



2



M6x15

(AA) x24

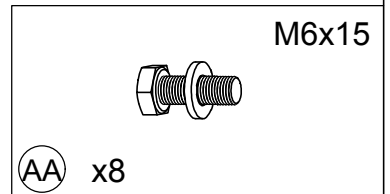
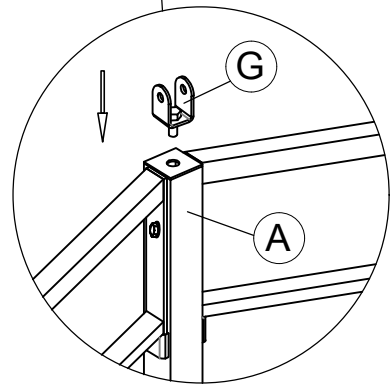
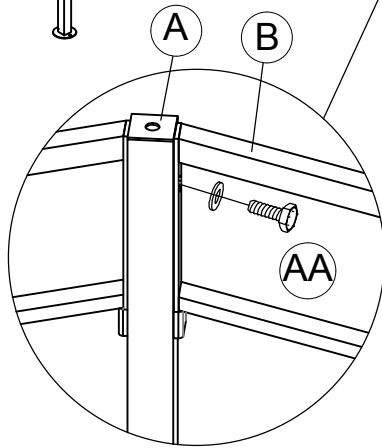
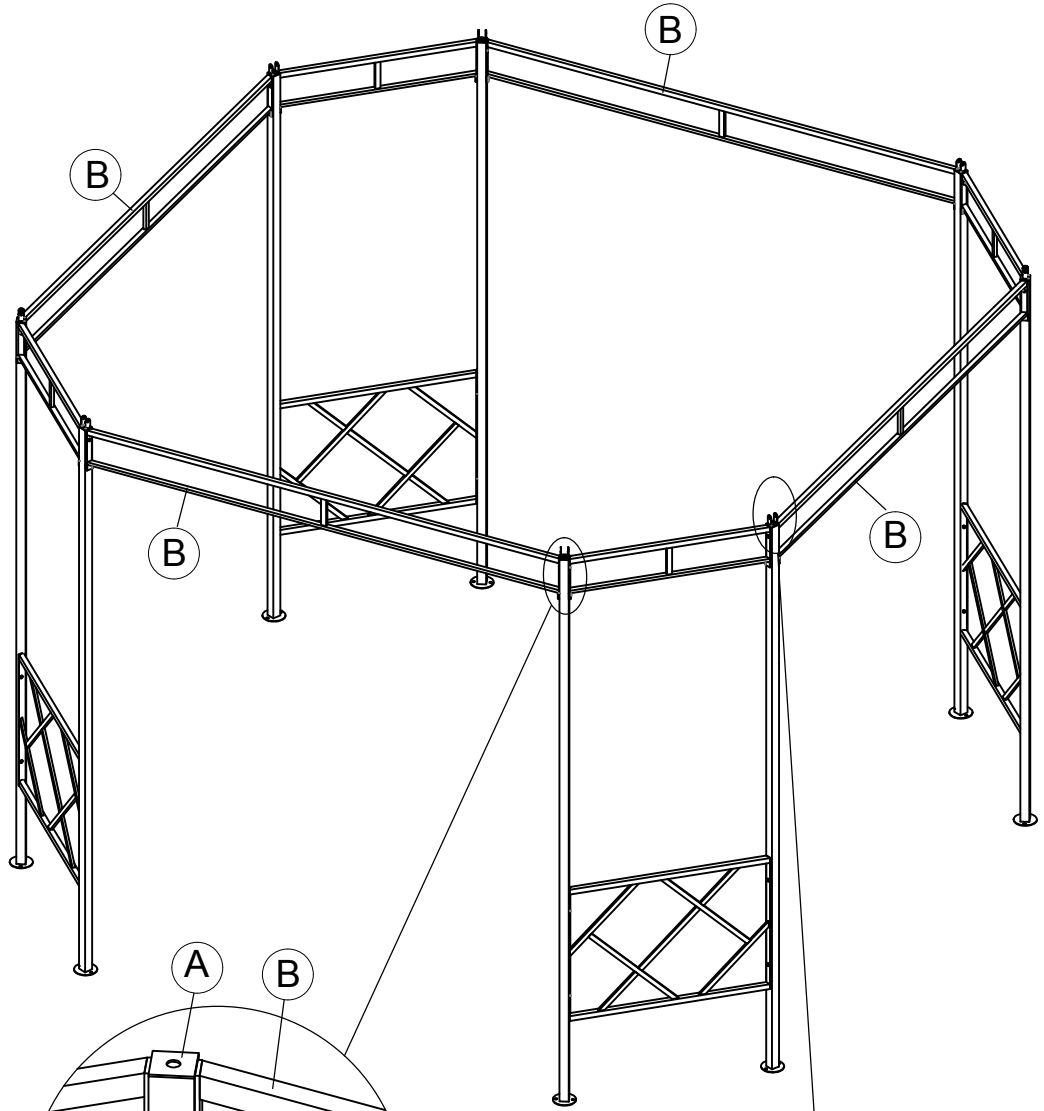
<2>



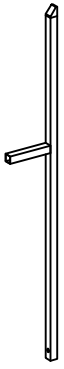
(B) 4x



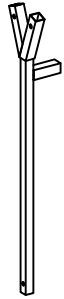
(G) 8x



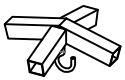
<3>



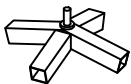
(E) 4x



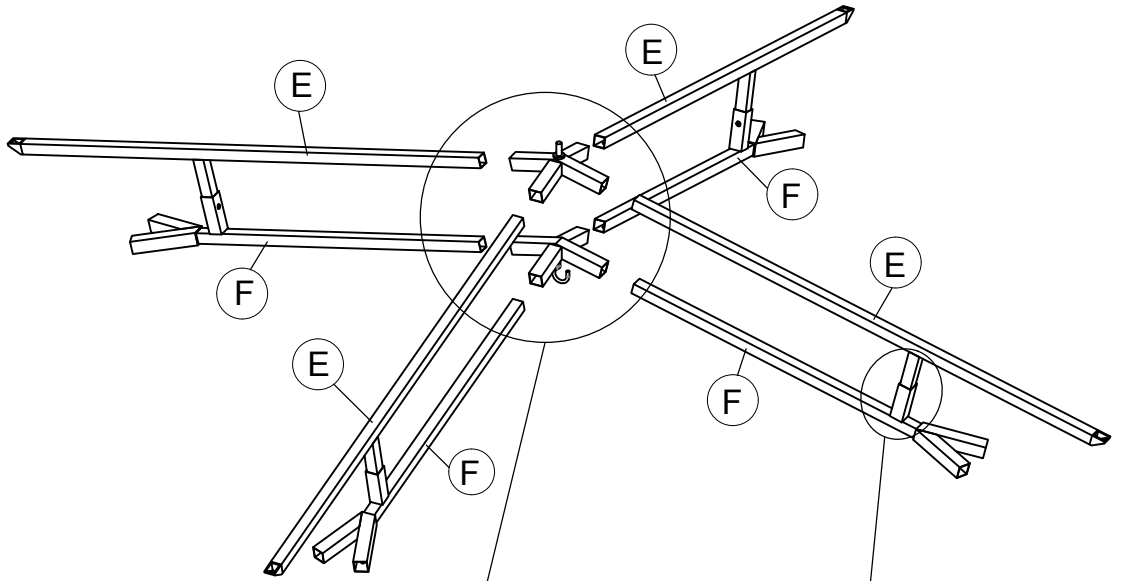
(F) 4x



(I1) 1x

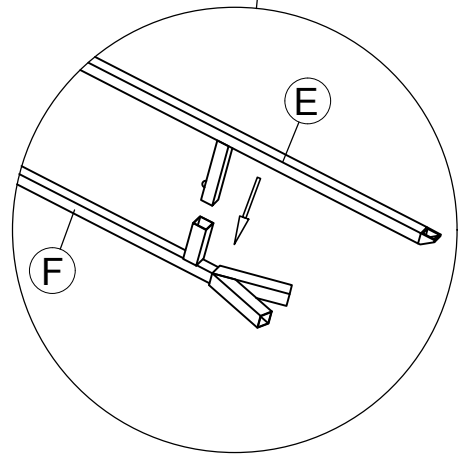
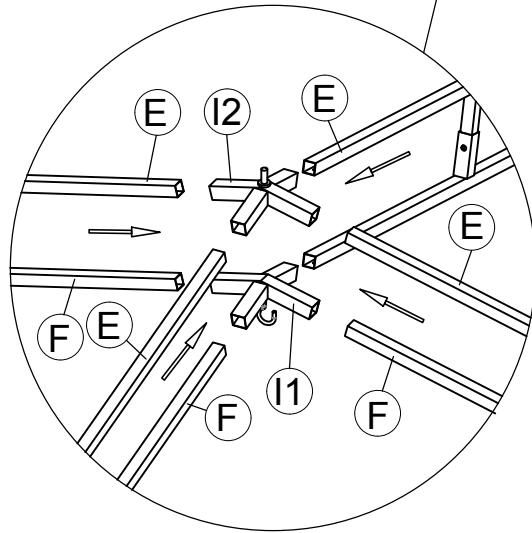


(I2) 1x

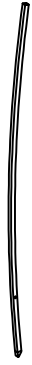


STEP B

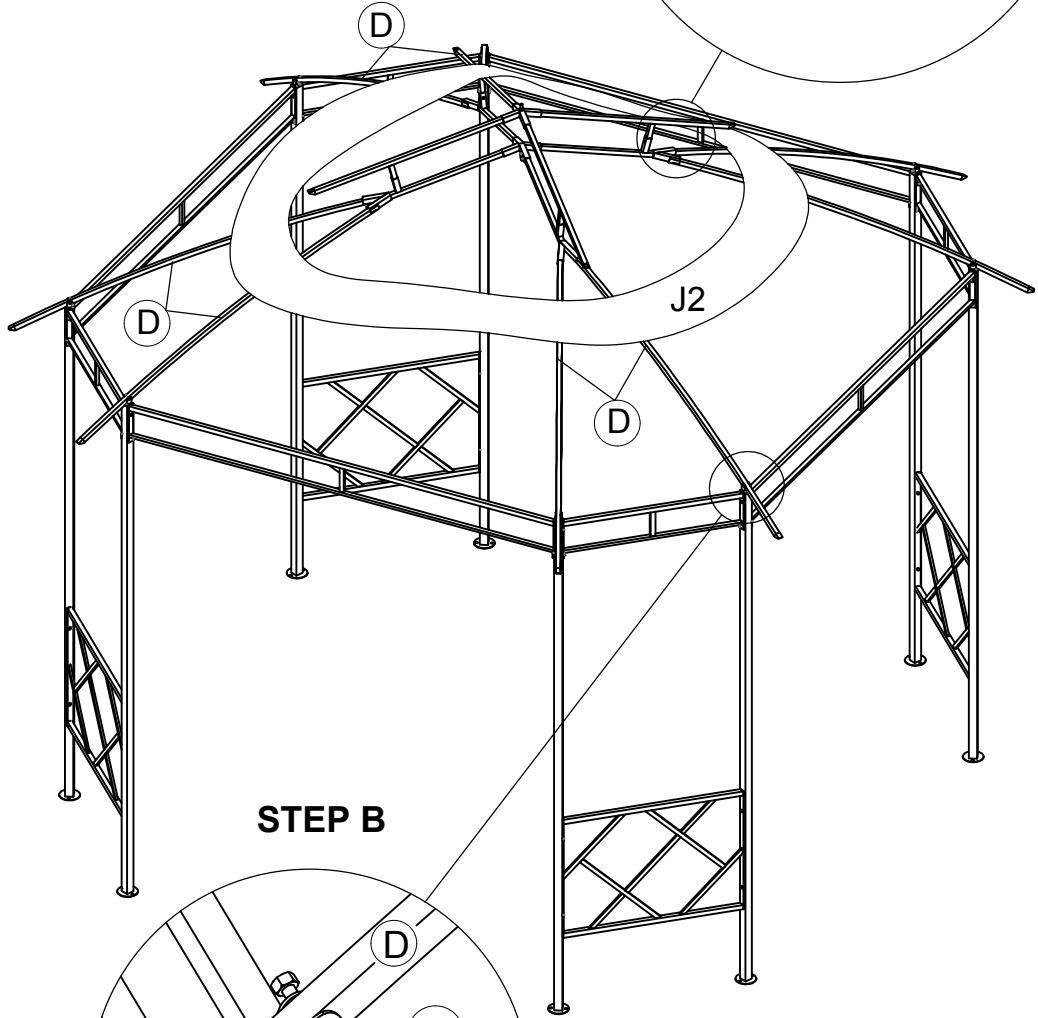
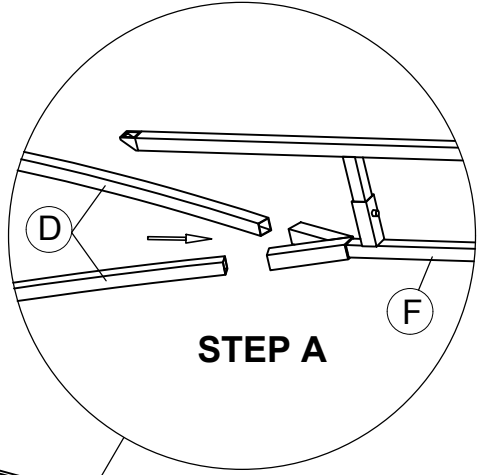
STEP A



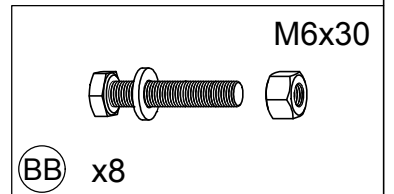
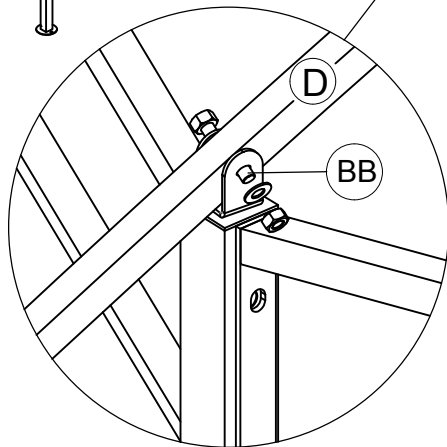
<4>



D 8x



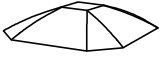
STEP B







J1 1x



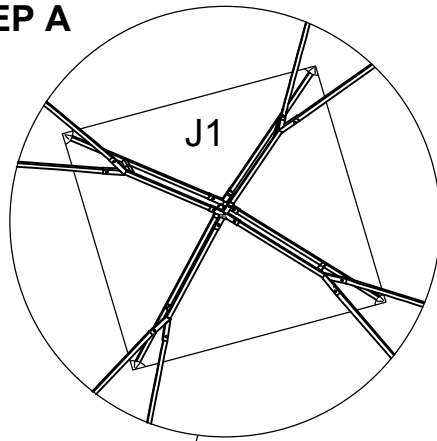
J2 1x



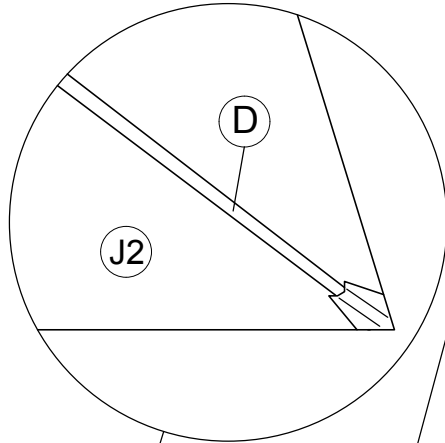
M 1x

<5>

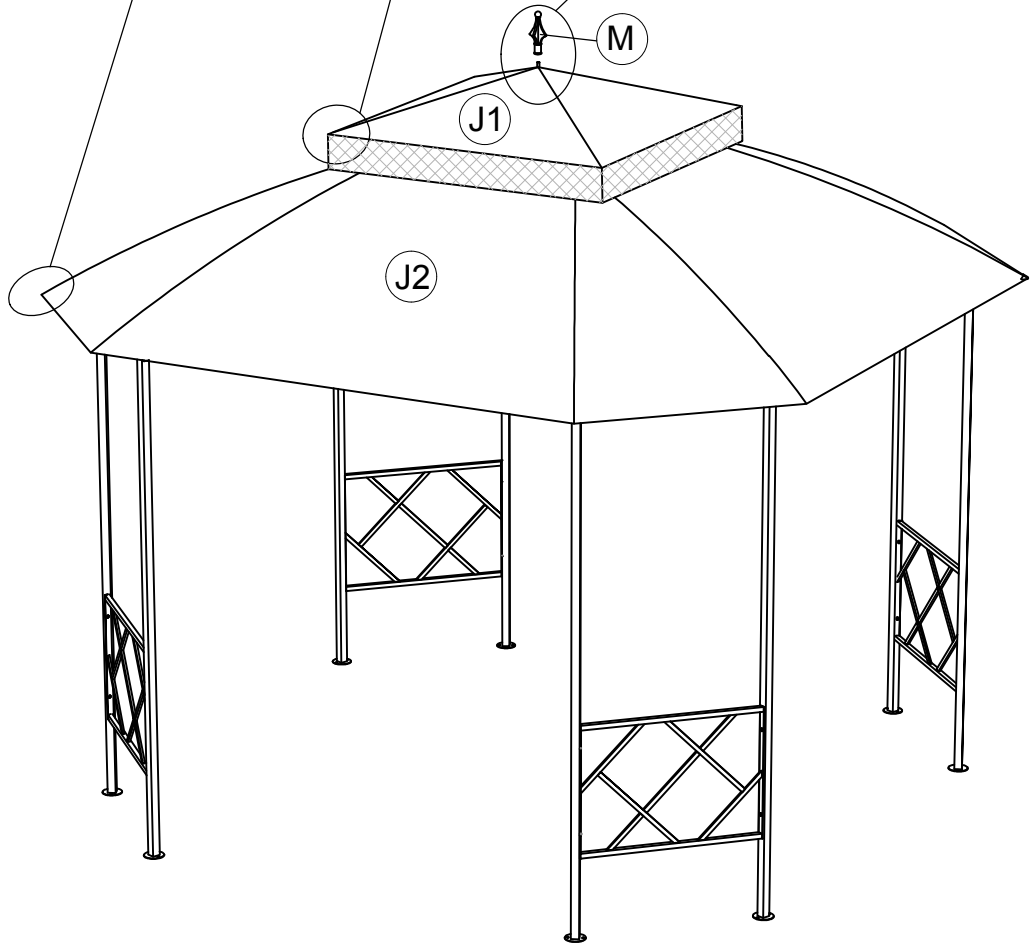
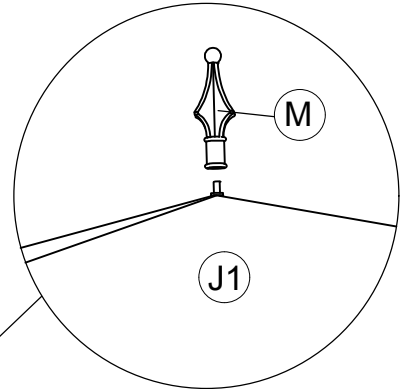
STEP A



STEP C



STEP B





<6>

(K) 1x



(N) 44x

