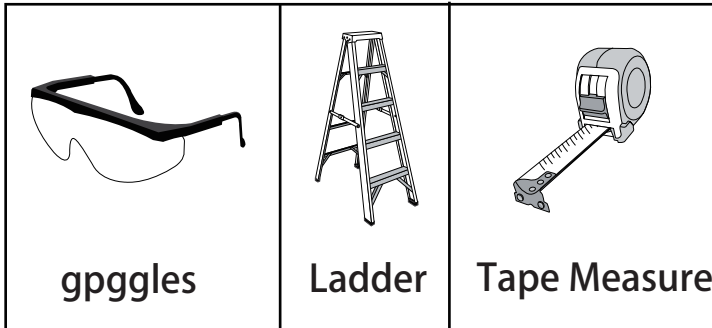


WQG-010MS

INSTRUCTION MANUAL

11 FT x 11 FT Double Roof Soft Top Gazobo

Note: The gazebo needs to be installed in cooperation with three people. The following tools are not included and needed for assembly:



Warning

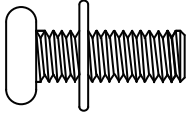
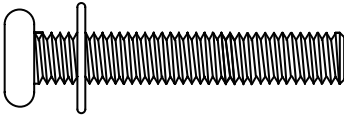

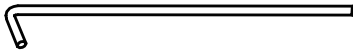

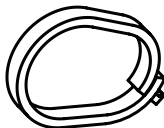





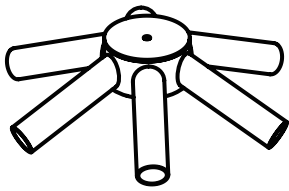
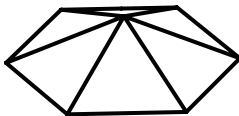
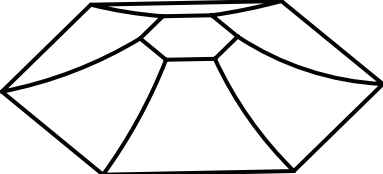
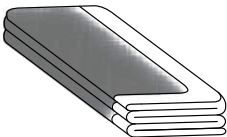
1. 3 person assembly is required for this gazebo.
2. Please take appropriate actions as heavy rain, wind and snow can damage the gazebo. If necessary please dis-assemble and store for later use.

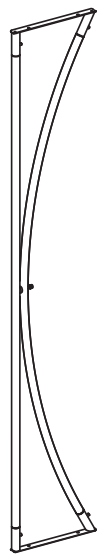
Attention:

1. Please fix all the screws first, do not lock off, after assembling is fully completed, lock all at once finally.
2. Please check the manual carefully and make sure you have received all the parts.
3. If there is any missing, please let us know the letter of the parts you need.
4. If there is any damage, please send clear photos to us, we will check and offer you best solution soon.



Parts List (Box A)

| | | |
|---|---|---|
| <p>AA</p>  | <p>BB</p>  | <p>CC</p>  |
| <p>24 PC</p> | <p>6 PCS</p> | <p>1 PC</p> |
| <p>DD</p>  | <p>EE</p>  | <p>FF</p>  |
| <p>12 PCS</p> | <p>6 PCS</p> | <p>36PCS</p> |
| <p>A</p>  | <p>B</p>  | <p>C</p>  |
| <p>6 PCS</p> | <p>6 PCS</p> | <p>6 PCS</p> |
| <p>D</p>  | <p>E</p>  | <p>F</p>  |
| <p>6 PCS</p> | <p>12 PCS</p> | <p>1 PC</p> |
| <p>G</p>  | <p>H</p>  | <p>J</p>  |
| <p>1 PC</p> | <p>1 PC</p> | <p>1 PC</p> |



ⓧ x6



ⓑ x6



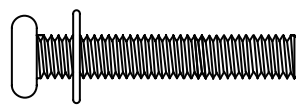
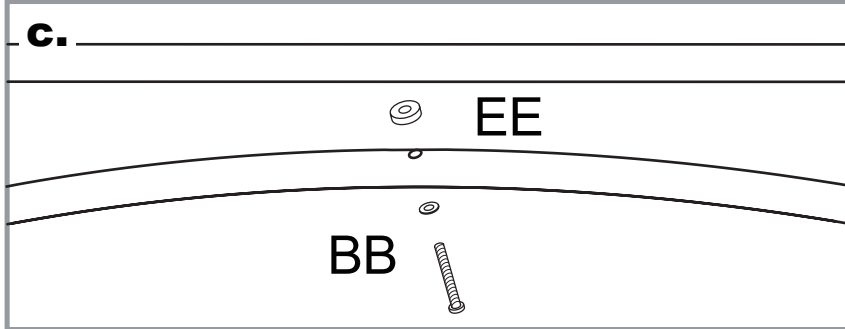
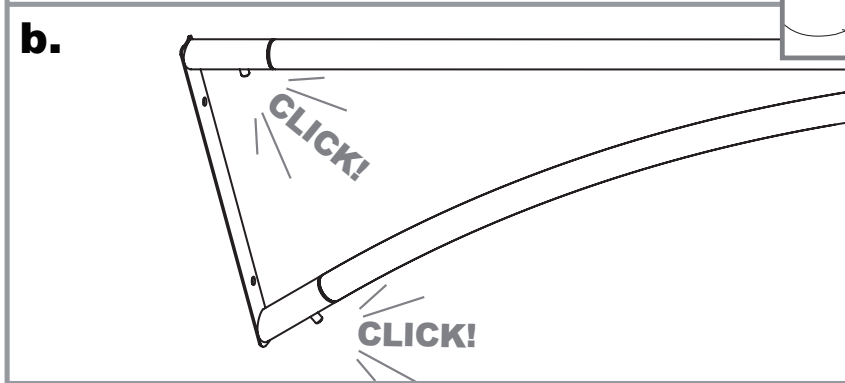
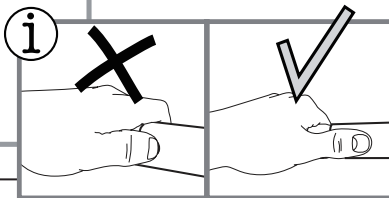
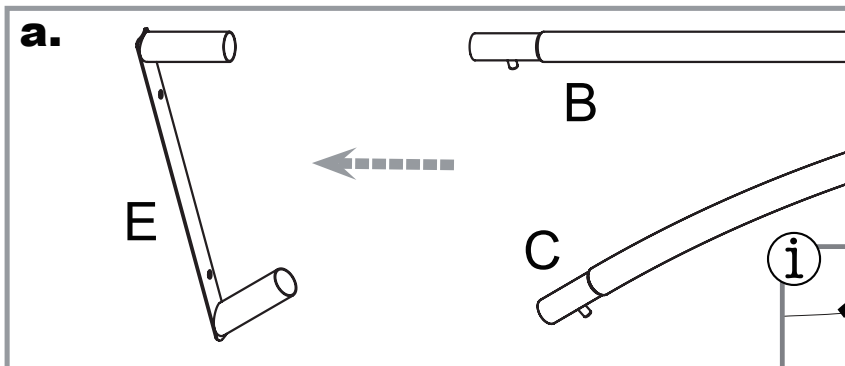
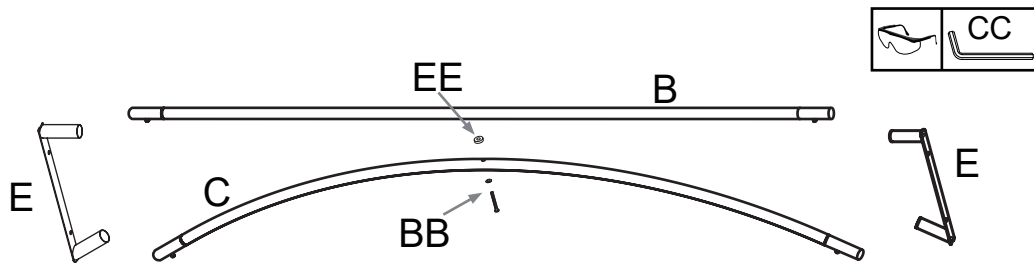
ⓒ x6



ⓔ x12

1

1.

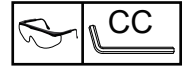


ⓔⓔ x6

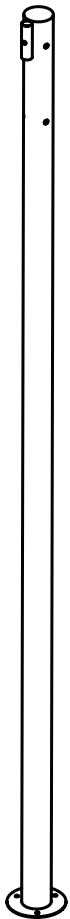


ⓑⓑ x6

2.

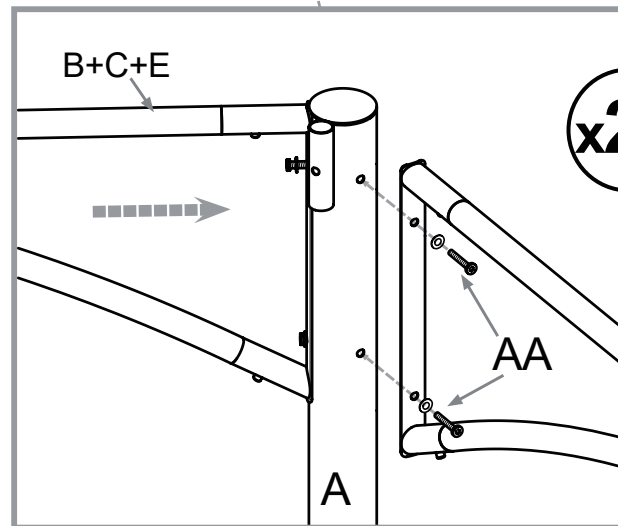
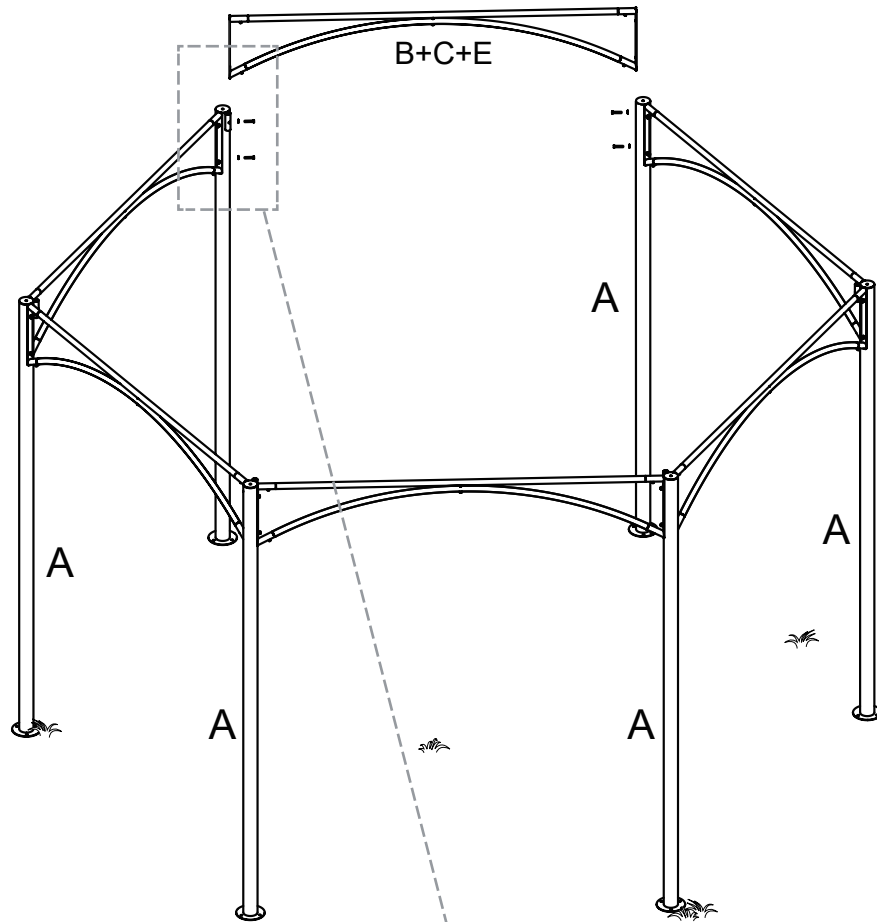


x6

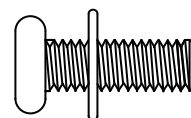


A x6

2



x24

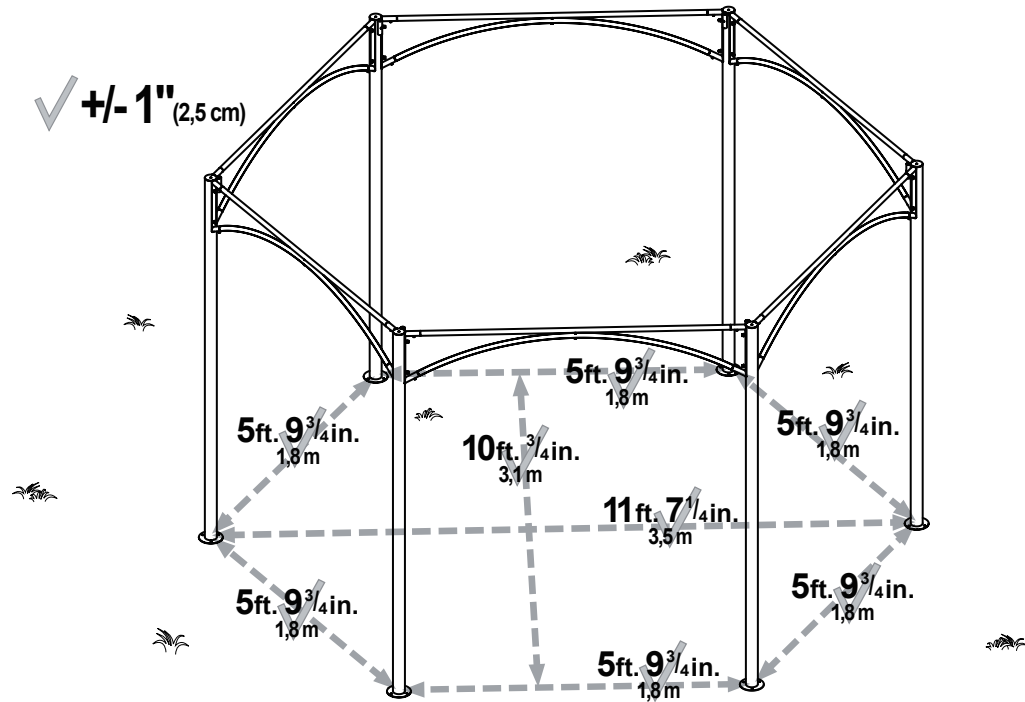


AA x24

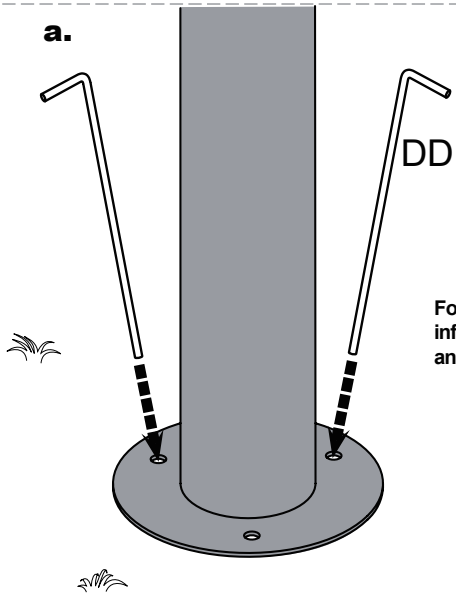
3.



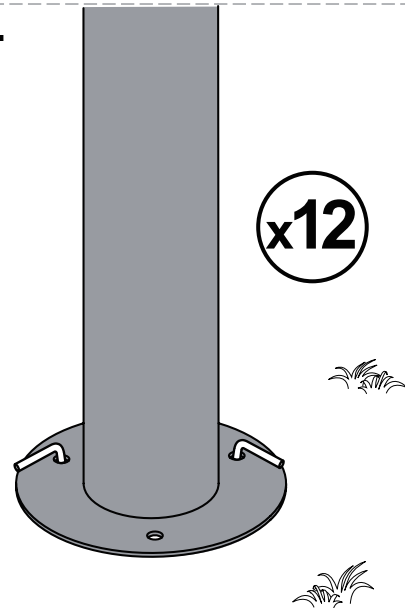
✓ **+/- 1"** (2,5 cm)



a.



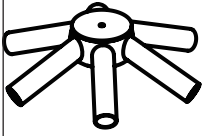
b.



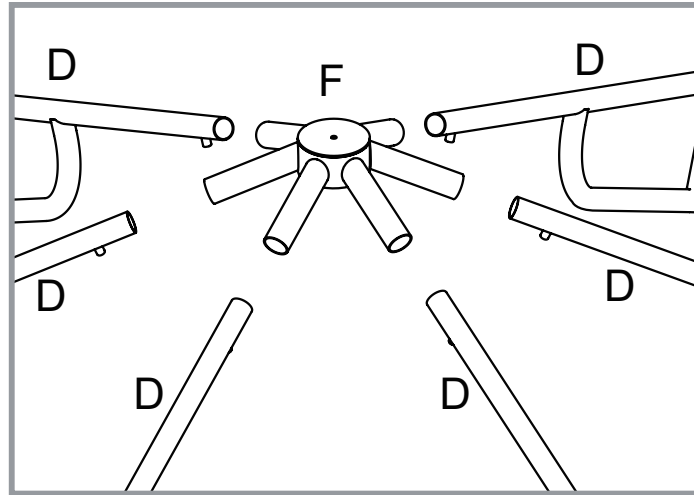
For additional important information about anchoring, see next page.



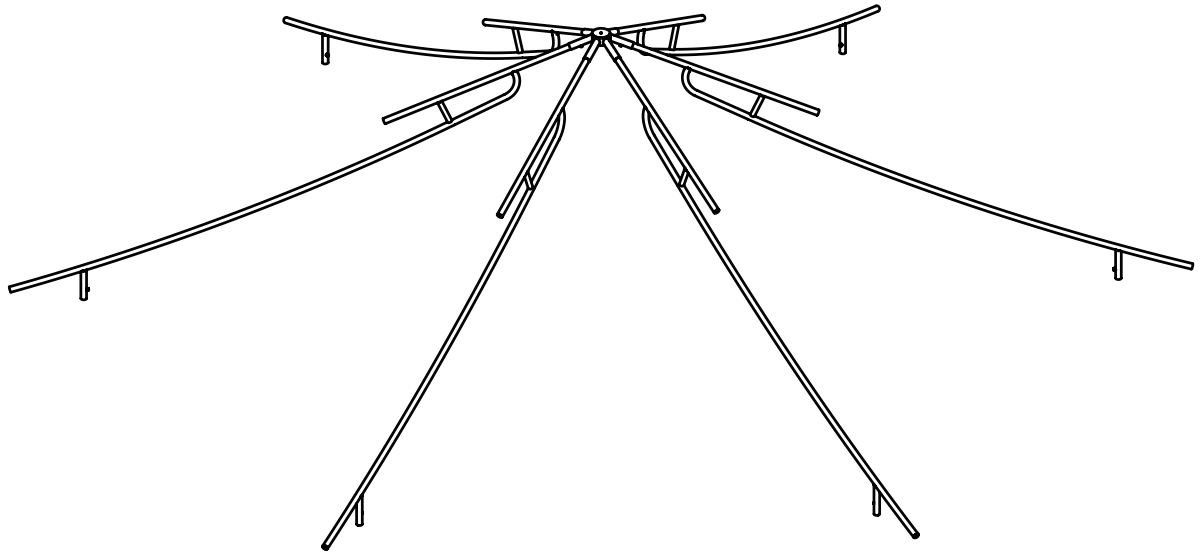
4.



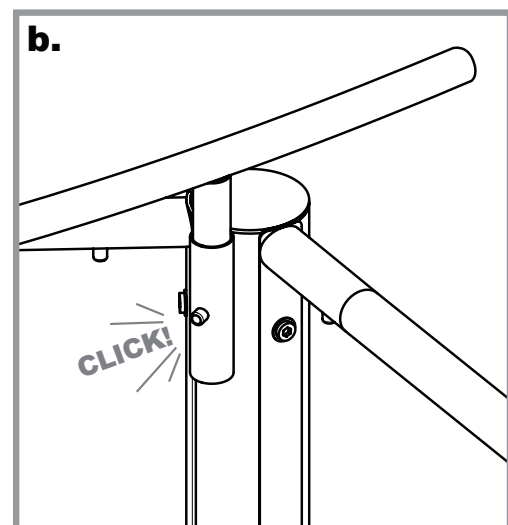
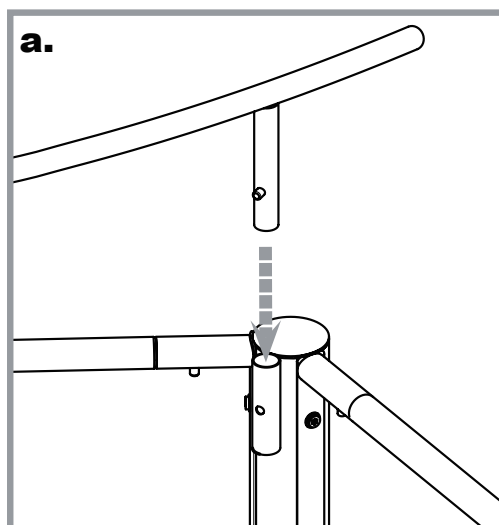
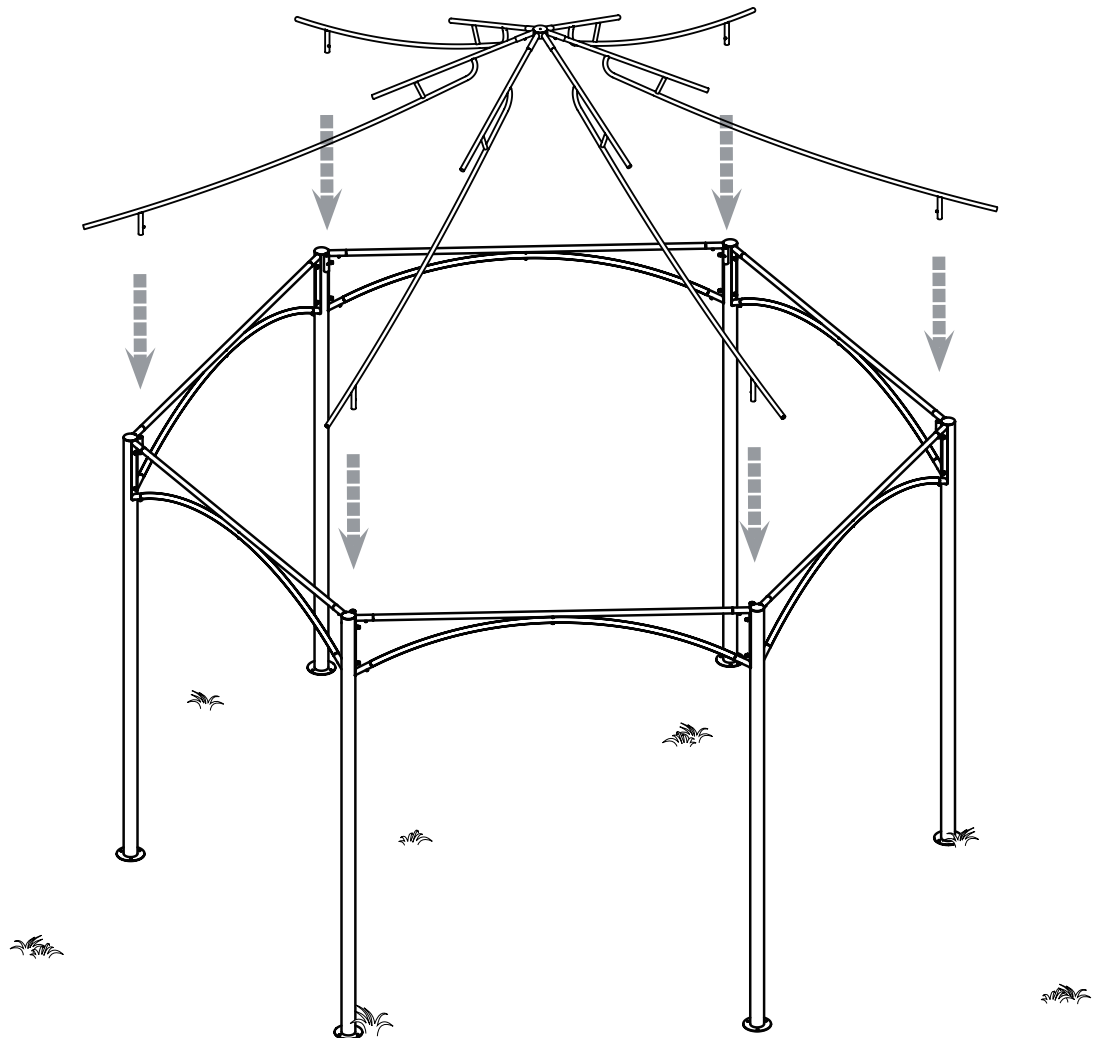
(F) x1



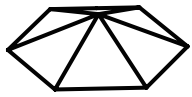
(D) x6



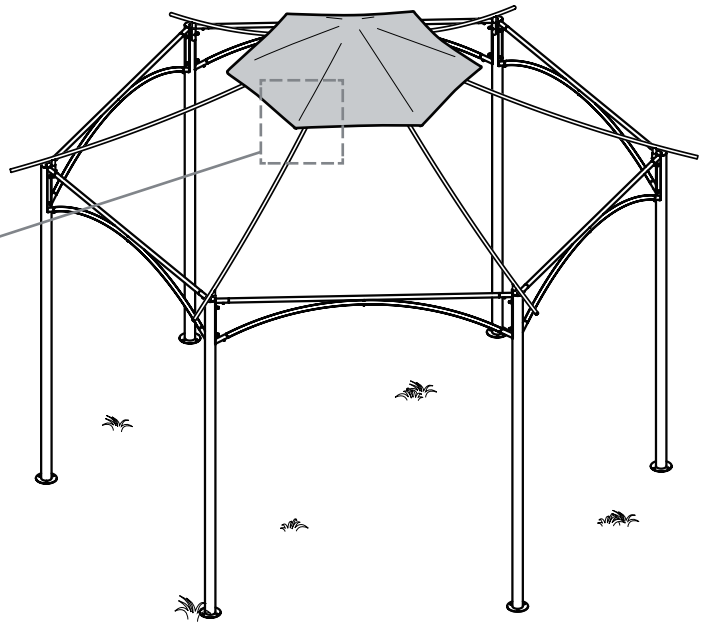
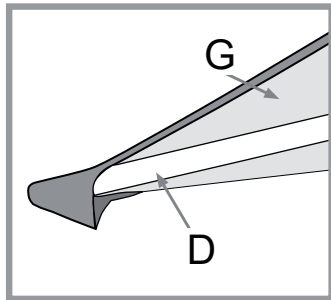
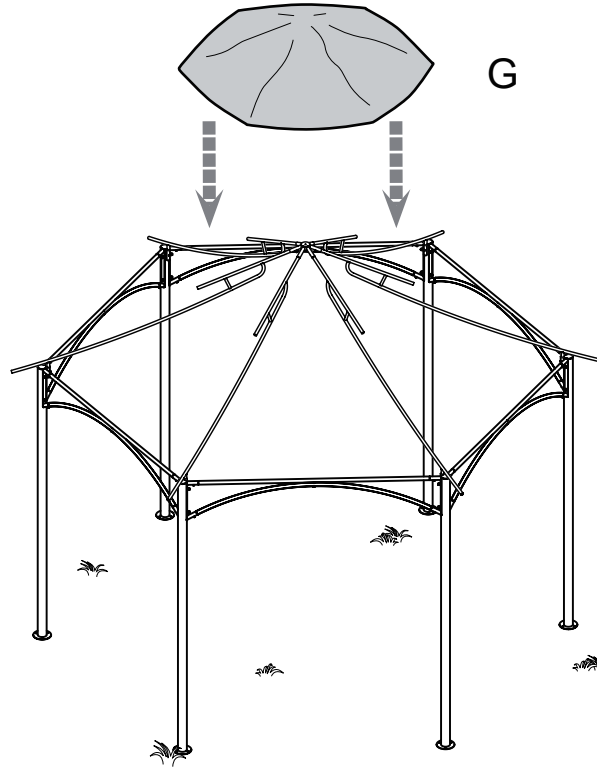
5.



6.

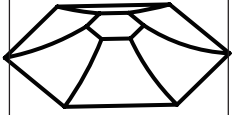


(F) x1

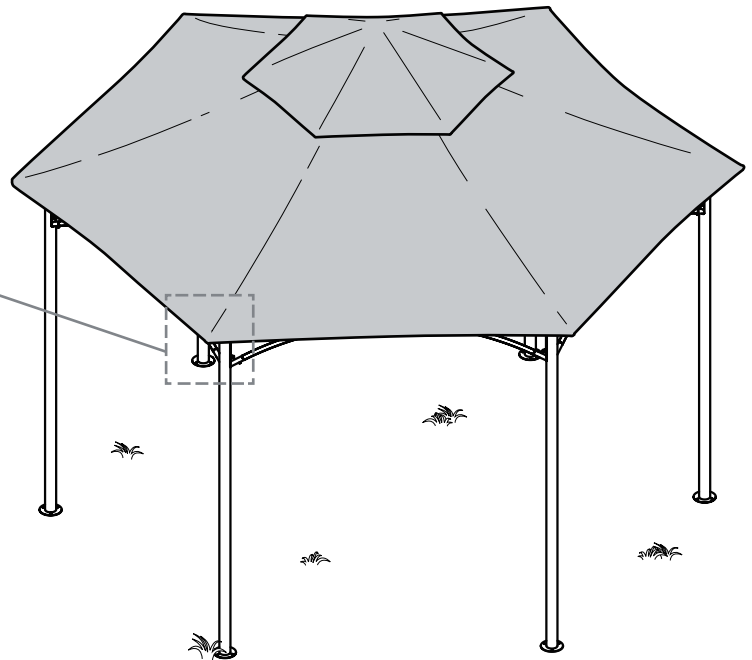
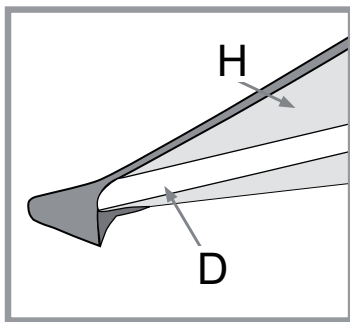
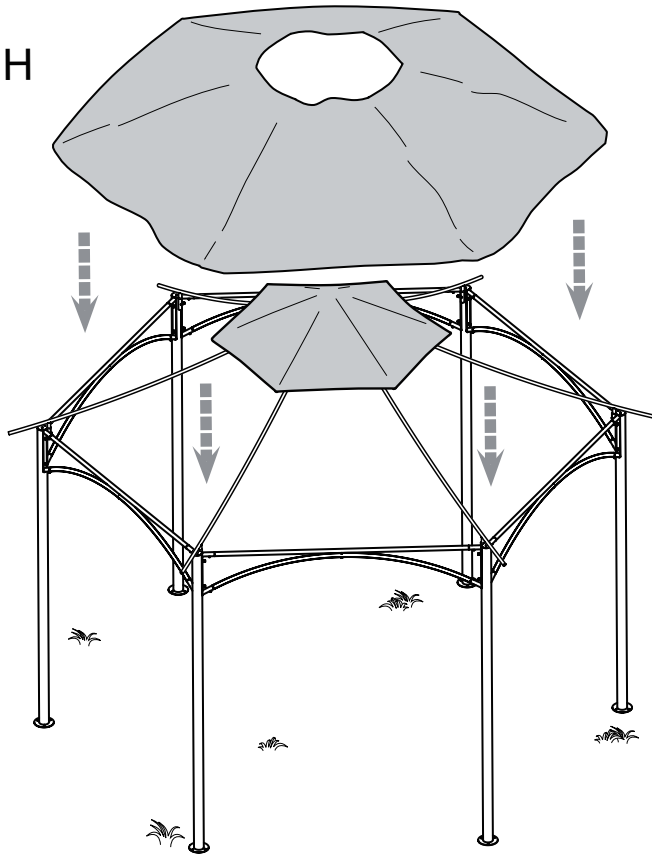


7.

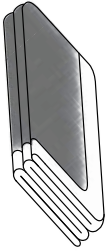
H



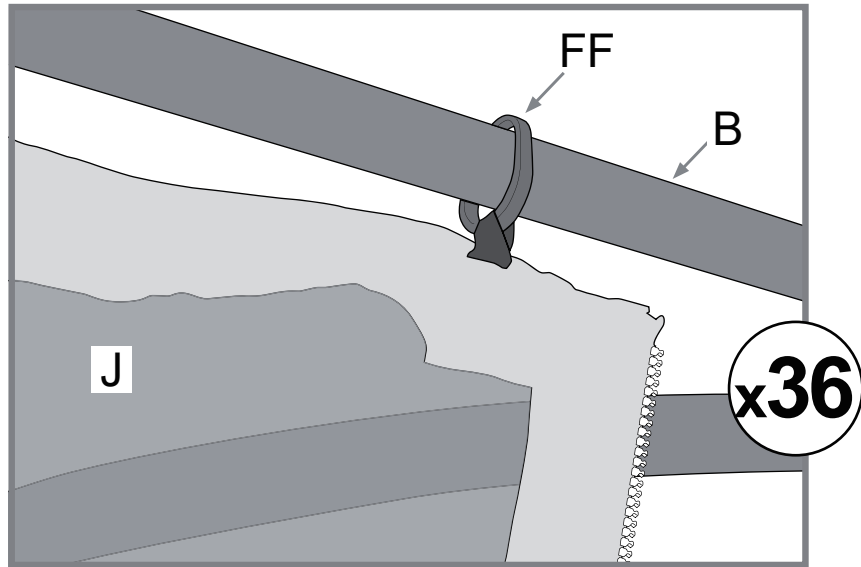
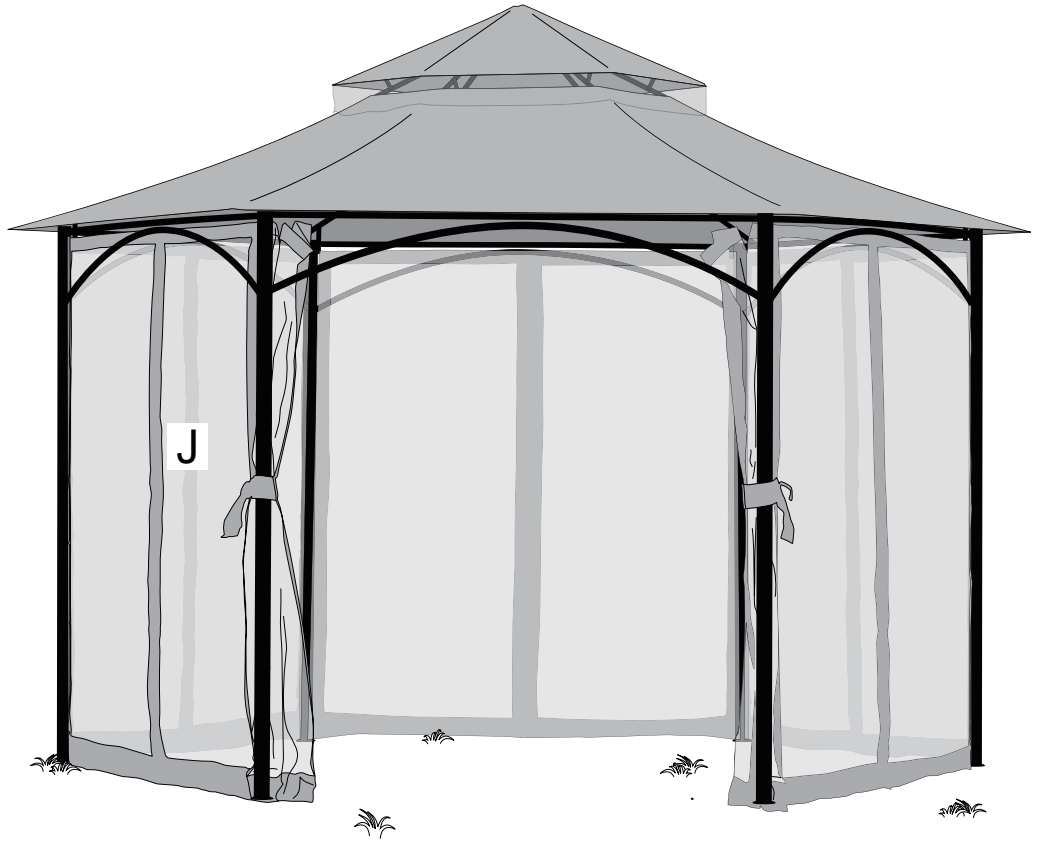
(H) x1



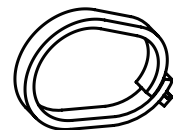
8.



ⓐ x1



8



ⓑ x36

