

Assembling Instruction

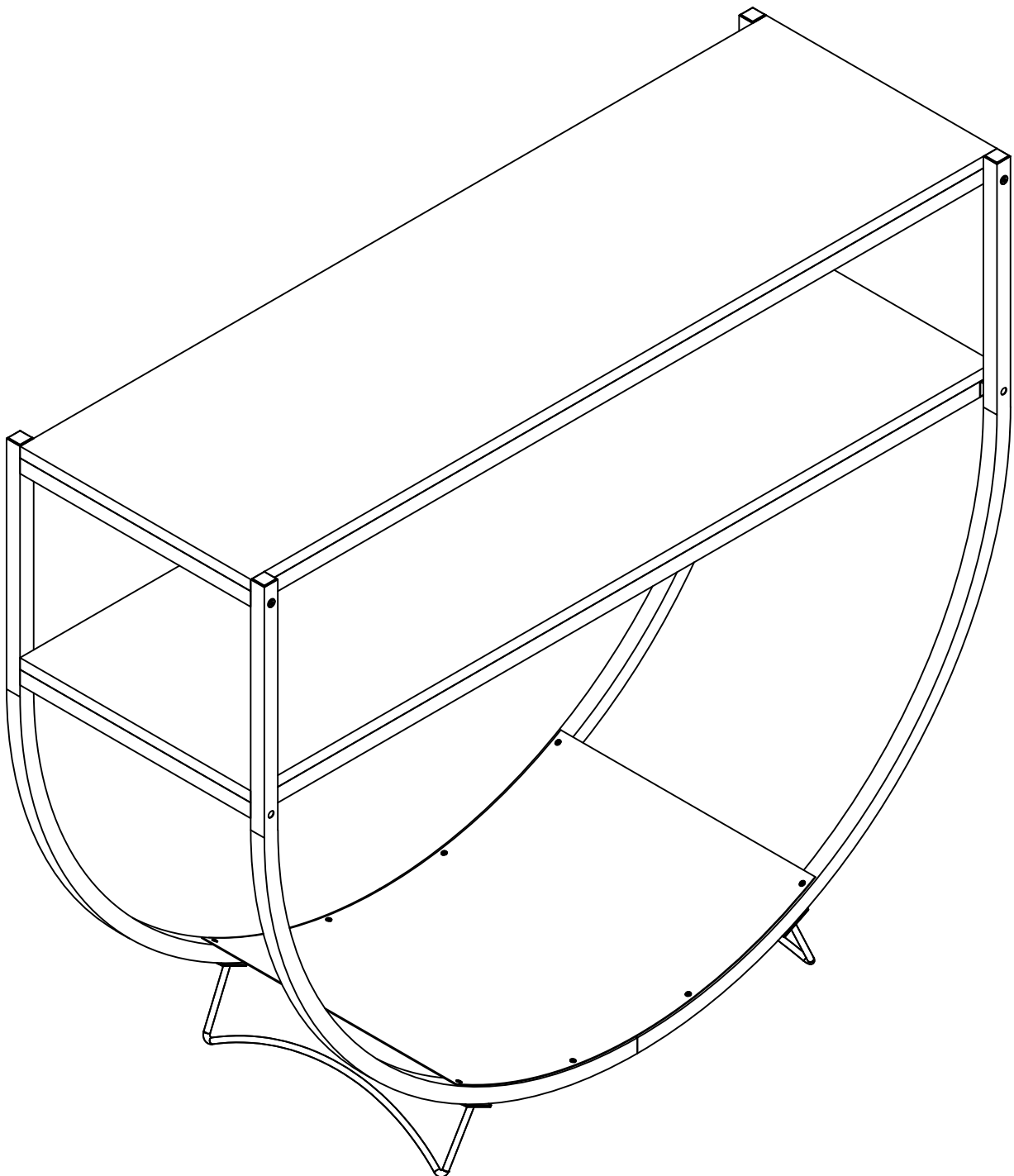
ITEM#:SJHM-084

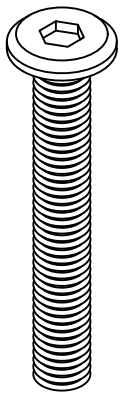
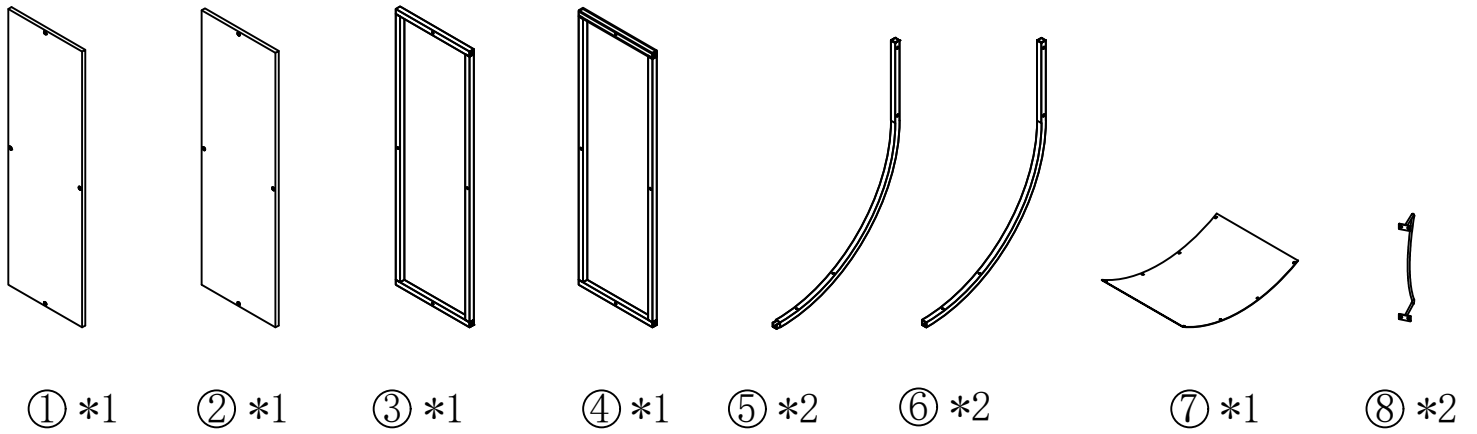
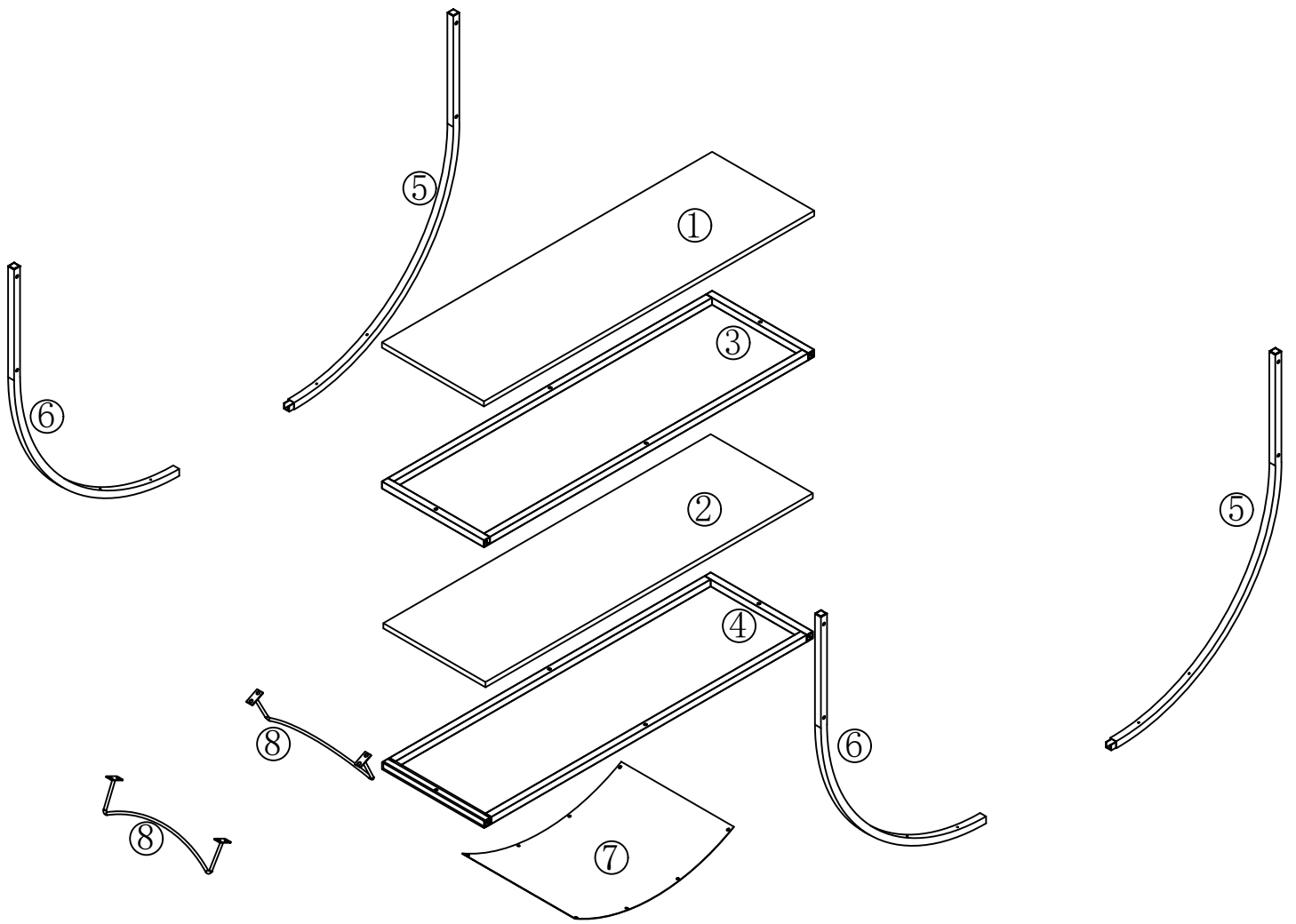
ATTENTION: Do not tighten the screws until all of them are in right positions

1.Please check the manual carefully and make sure you have receive all the parts.

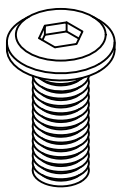
2.If there is any missing, please let us know the letter of the parts you need.

3.If there is any damage, please send clear photos to us, we will check and offer you best solution soon.

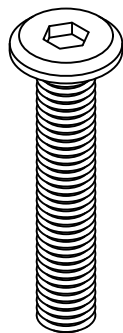




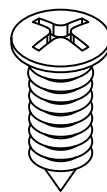
A *8
M6*35



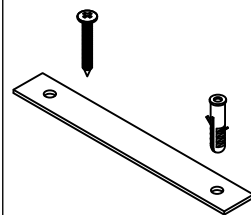
B *10
M6*12



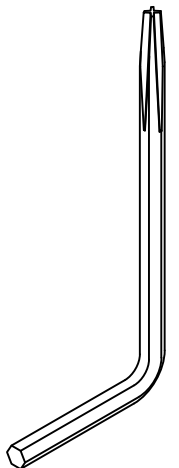
C *8
M6*30



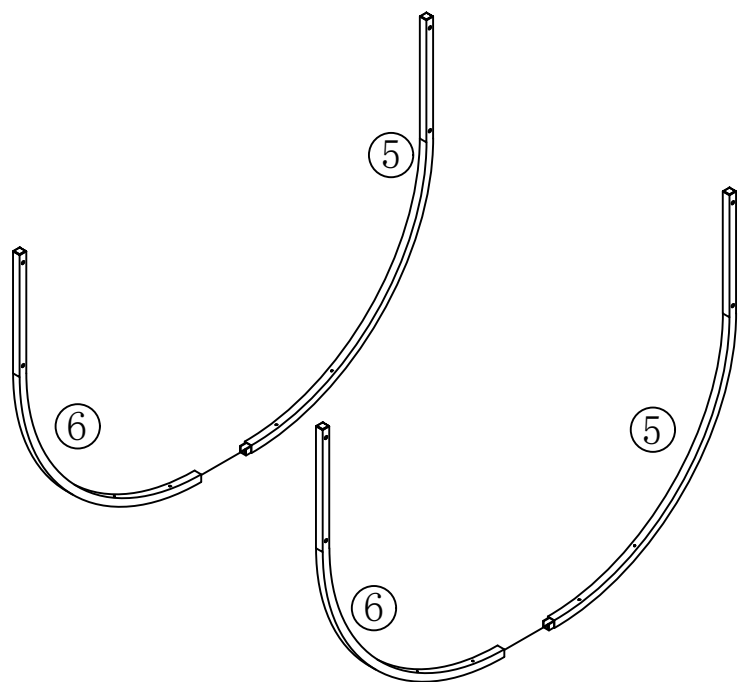
D *8
M4*10



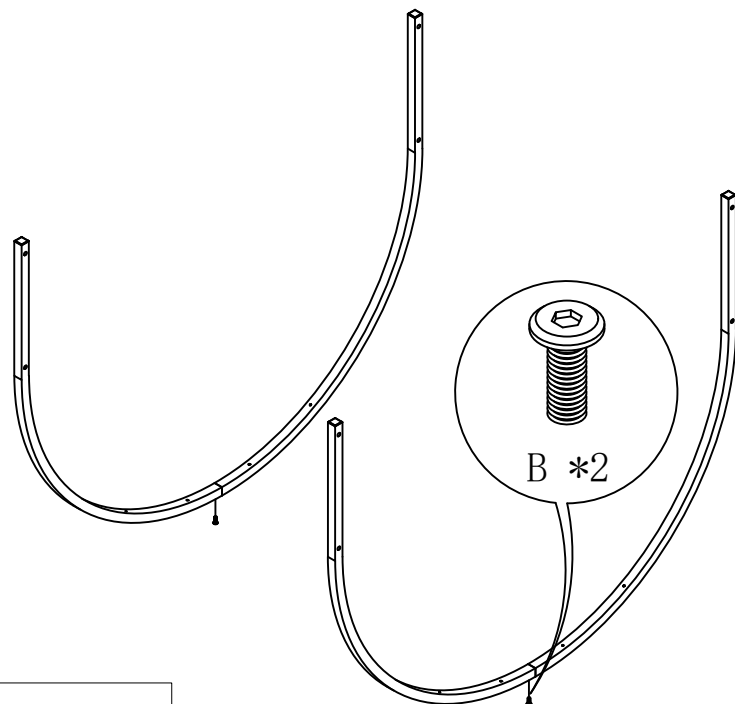
E *1



1

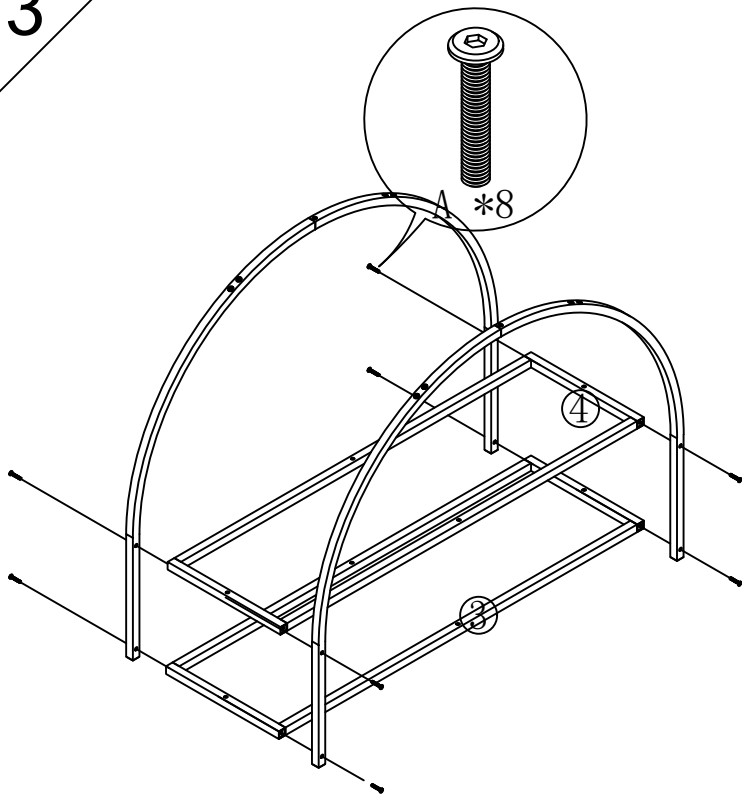


2

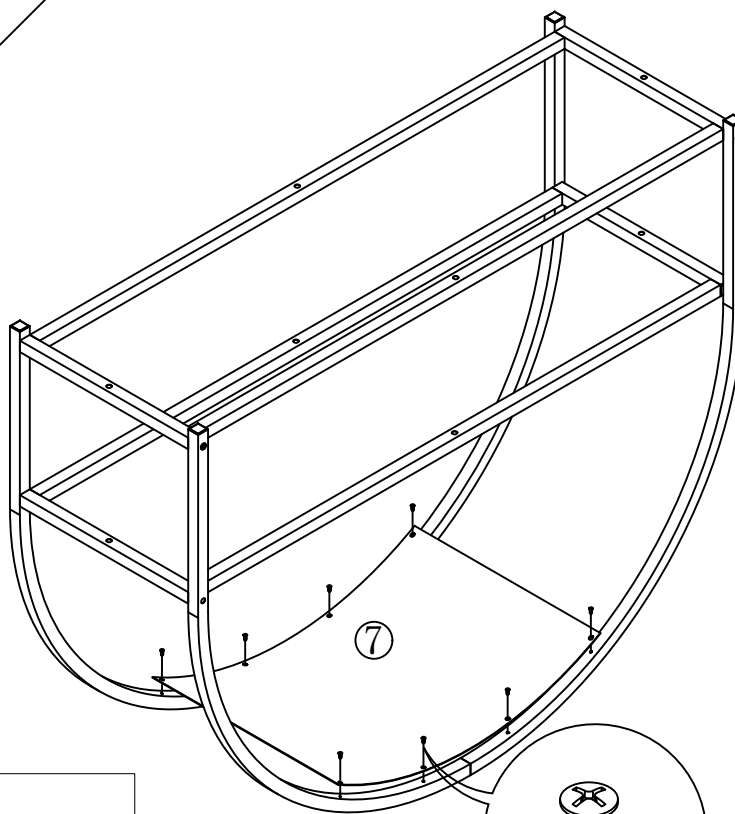


B *2

3



4



D *8



③ *1



④ *1

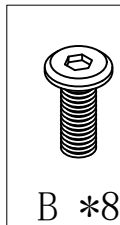
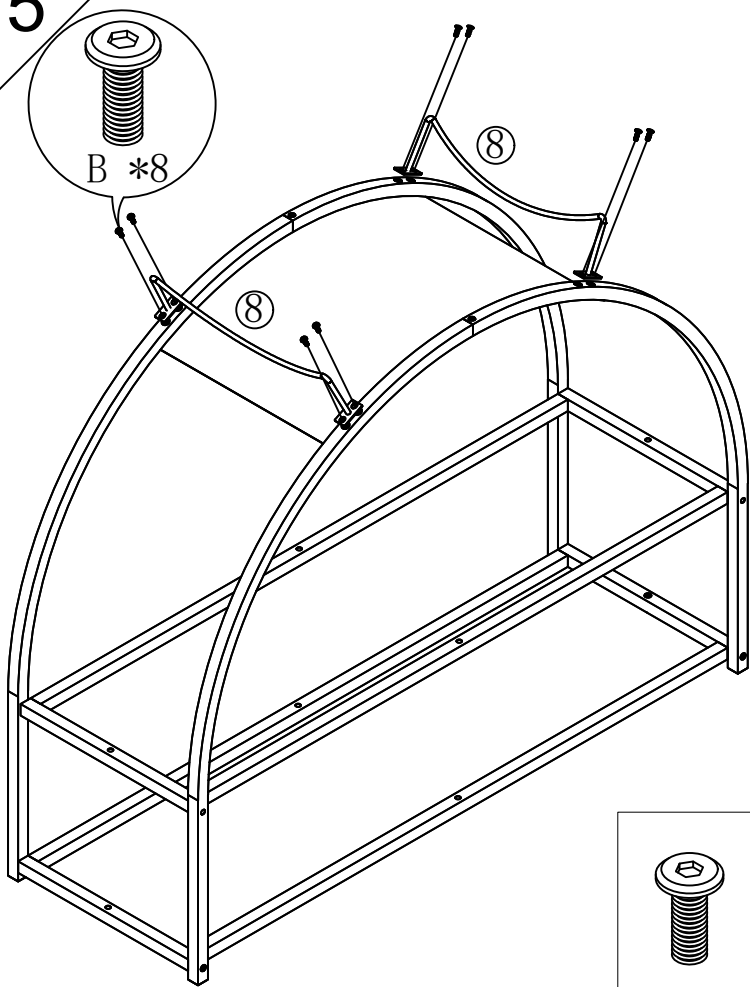


A *8

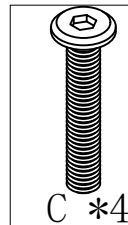
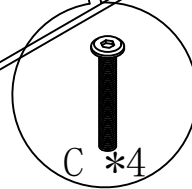
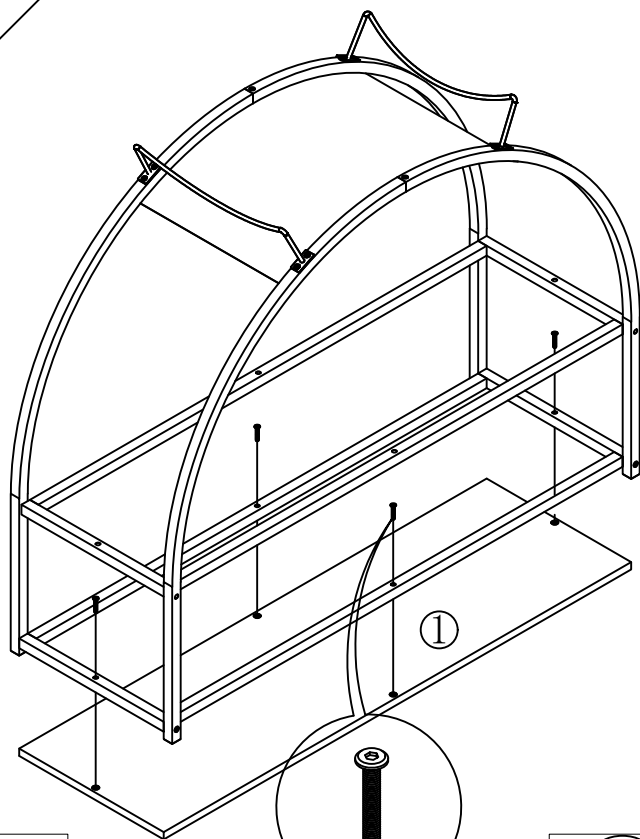


D *8

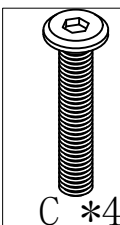
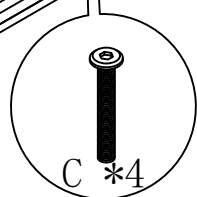
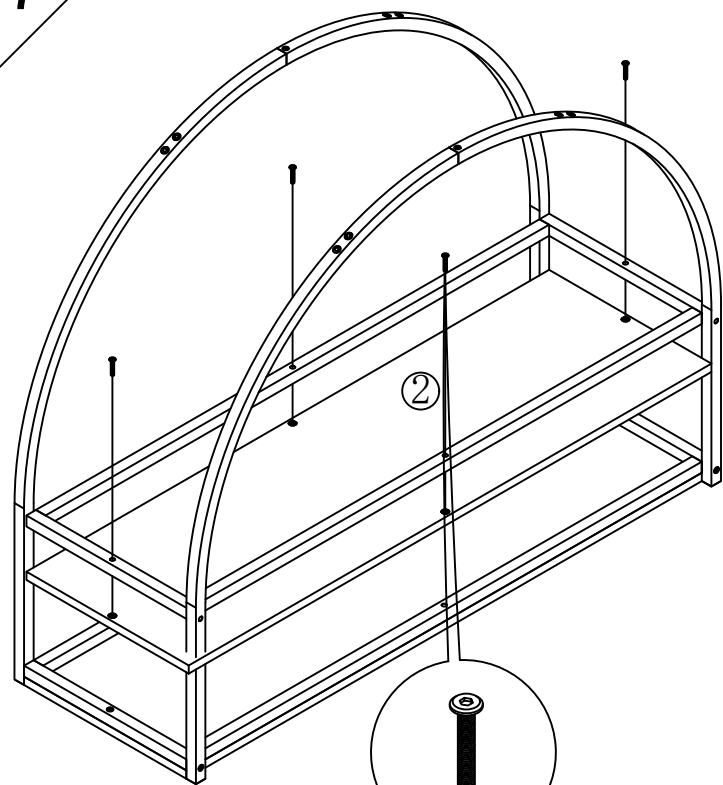
5



6



7



8

