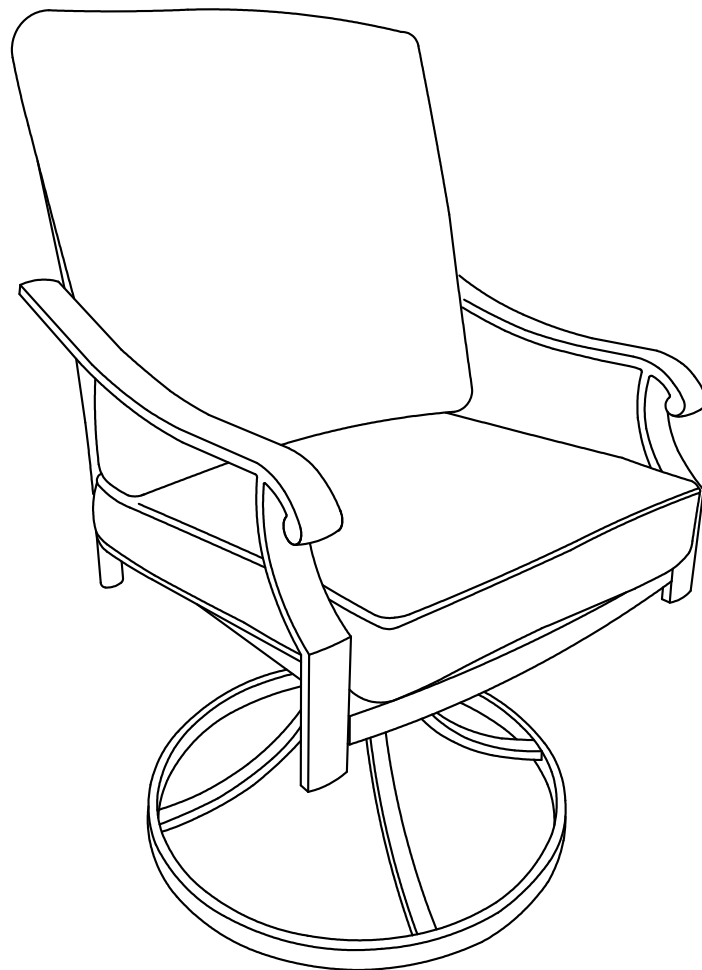


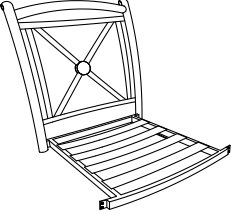
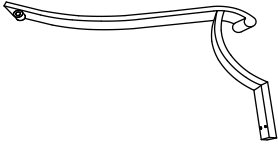
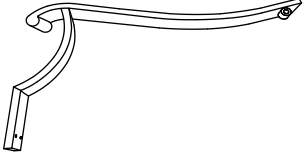
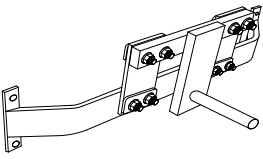
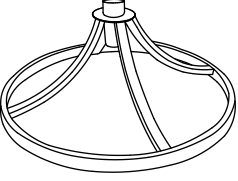
INSTRUCTION MANUAL ENCLOSED LYOT102 DINING CHAIR

ATTENTION:





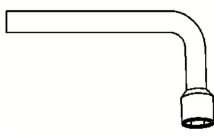
- 1. Please check the manual carefully and make sure you have received all the parts.**
- 2. If there is any missing, please let us know the letter of the parts you need..**
- 3. If there is any damage, please send clear photos to us, we will check and offer you best solution soon.**



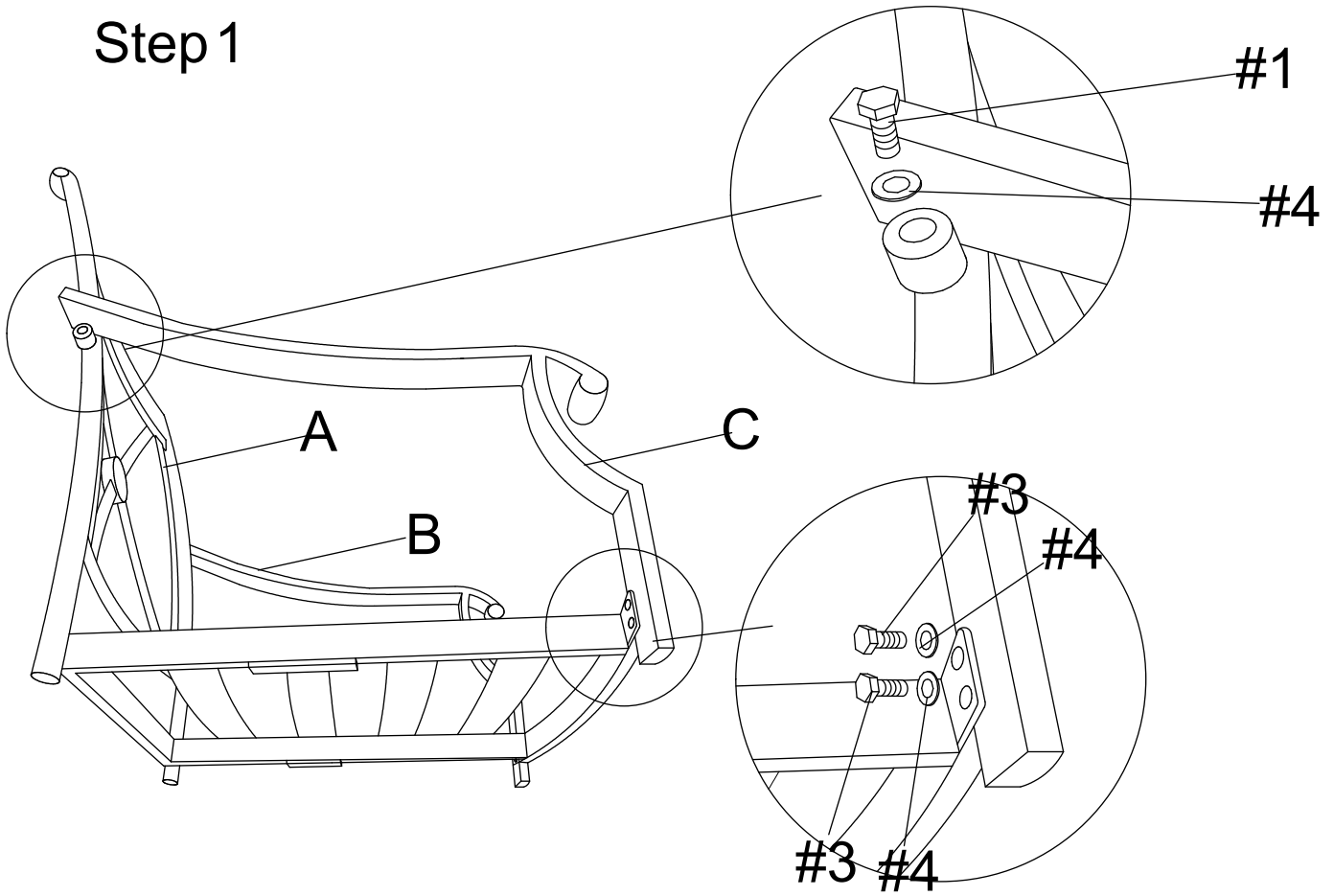
PARTS LISTS

A 	B 	C 
1PC	1PC	1PC
D 	E 	
1PC	1PC	

HARDWARE LISTS

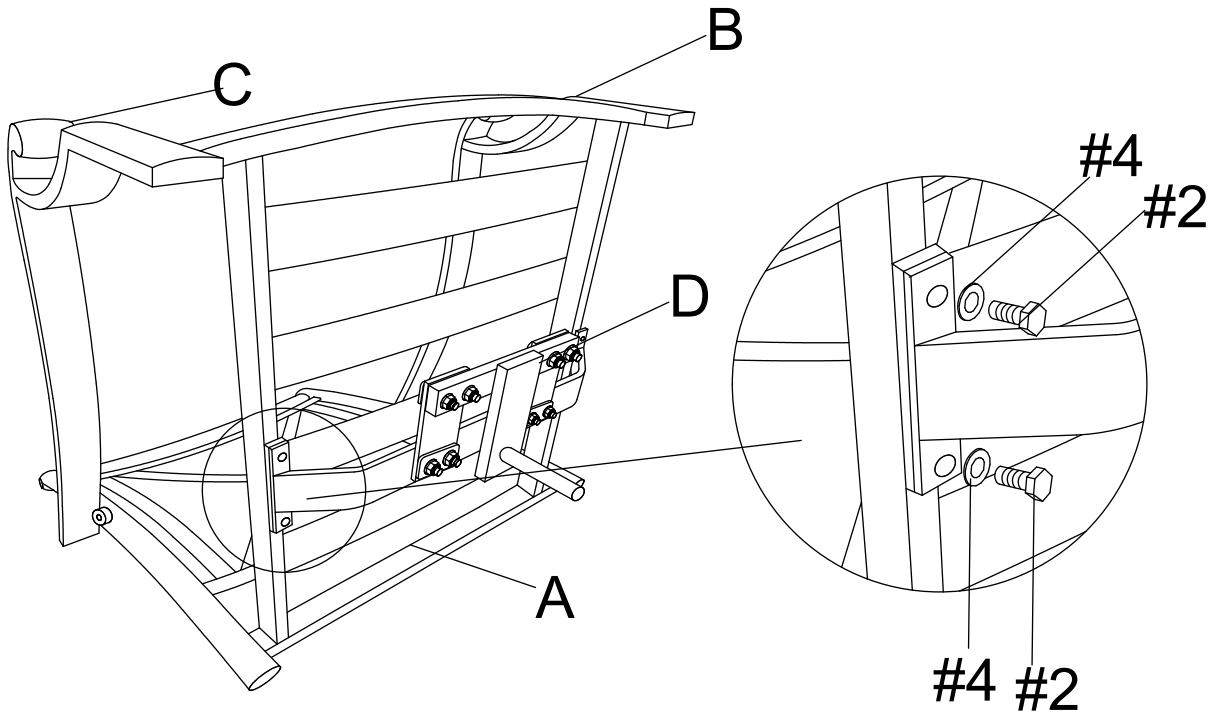
#1  <p>M6*30mm bolt</p>	#2  <p>M6*20mm bolt</p>	#3  <p>M6*15mm bolt</p>
2PC	4PC	4PC
#4  <p>M6 washer</p>	#5  <p>Socket wrench</p>	
10PC	1PC	

Step 1



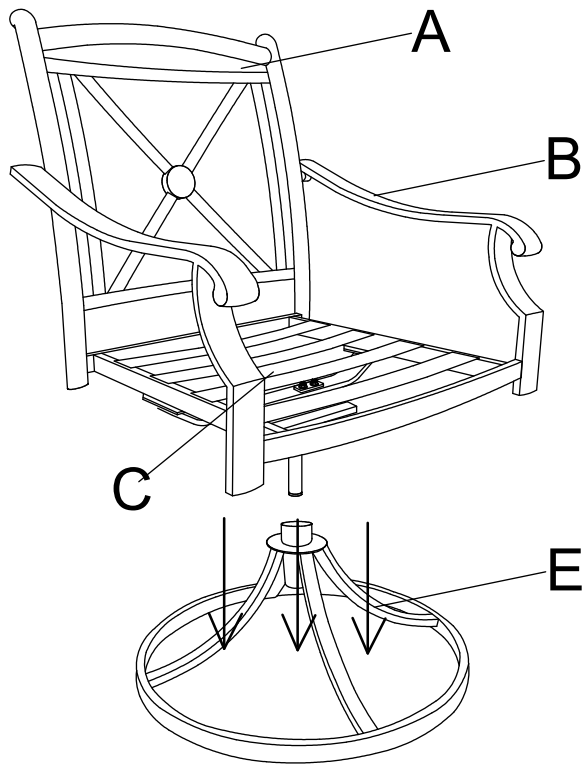
DO NOT TIGHTEN SCREWS
UNTIL ASSEMBLY IS DONE!

Step 2



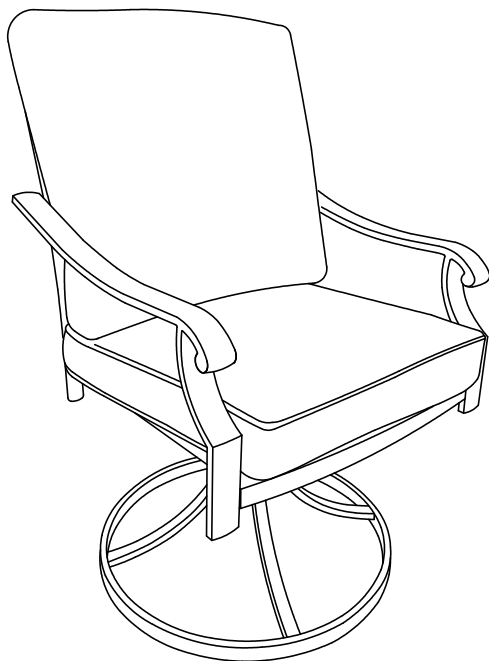
DO NOT TIGHTEN SCREWS
UNTIL ASSEMBLY IS DONE!

Step 3



TIGHTEN ALL SCREWS !

Step 4



TIGHTEN ALL SCREWS
AND ENJOY IT