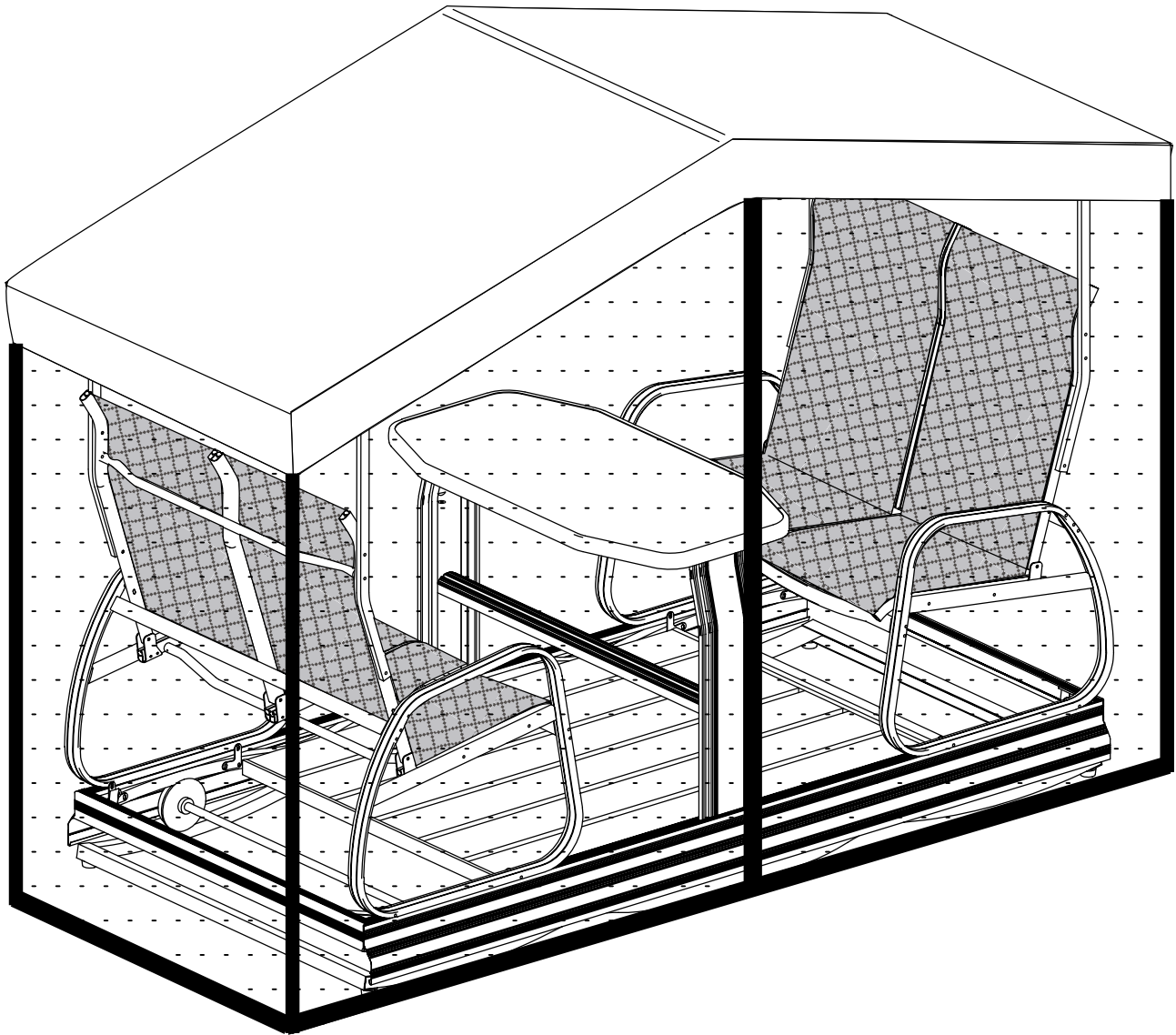
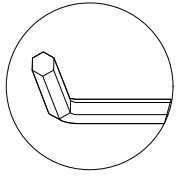


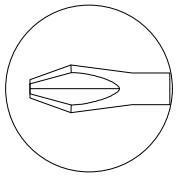
Assembly Manual

SKU: LY0T-043GY

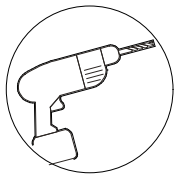




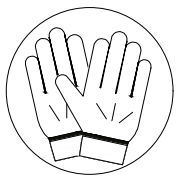
Use the hex keys in the box.



Please use a Phillips screwdriver.



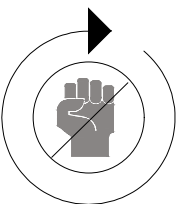
You may need to use a drill for this step.



It is recommended to wear protective gloves.

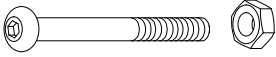
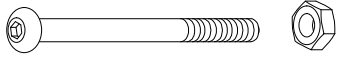
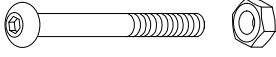
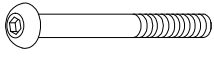
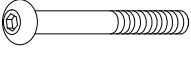

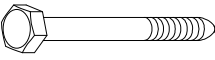
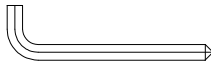
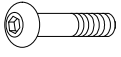
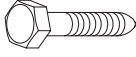
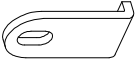
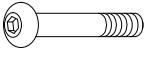
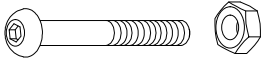
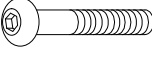

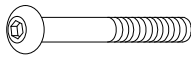

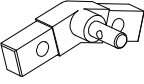




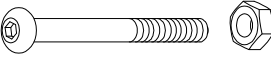
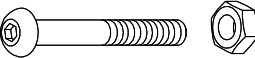


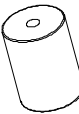
Two or more people are required at this stage.



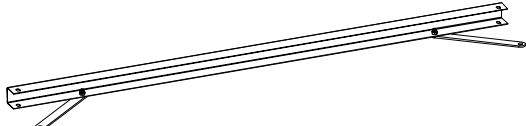
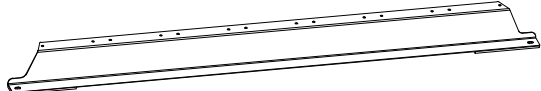
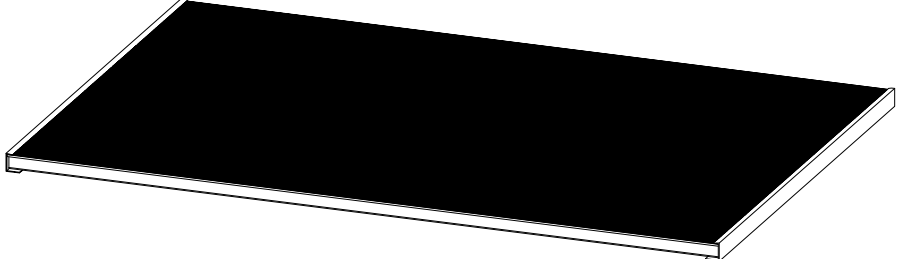


Do not screw firmly for now.

HARDWARE LIST

1 X 8  M6X60	2 X 6  M6X85
3 X 8  M6X55	4 X 16  M6X60
5 X 2  M6X52	6 X 2 
7 X 4  M6X60	8 X 1 Tool 
9 X 4  M6X15	10 X 4  M6X30
11 X 4 	12 X 22  M6X20
13 X 16  M6X40	14 X 8  M6X30
15 X 4  M6X22	16 X 4  M6X45
17 X 12 	18 X 2 
19 X 1 	20 X 44  ST4.2X12

21 X 4  M6X50	22 X 4  M6X45
23 X 8  M6X20	24 X 4 
25 X 2 	

PARTS LIST

A1 X 2 	A2 X 3 
A3 X 1 	
A4 X 2 	B1 X 2 

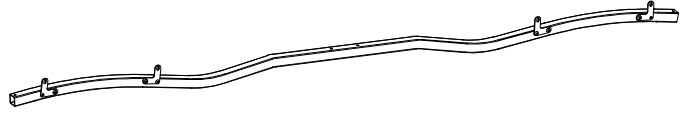
B2 X 1



B2-1 X 1



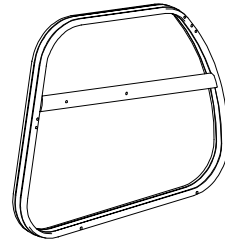
B3 X 2



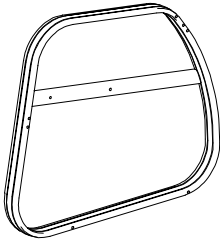
C X 2



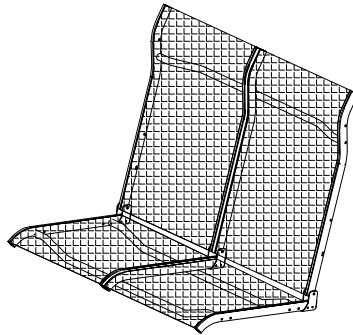
D X 2



D1 X 2



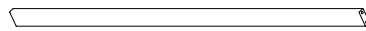
E X 2

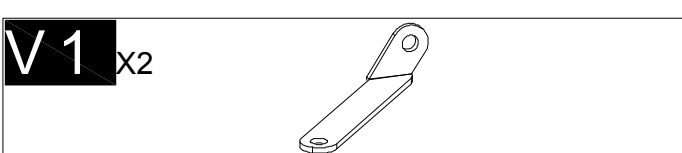
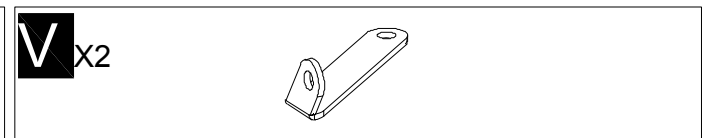
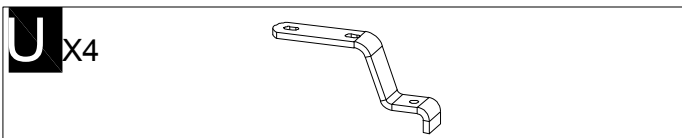
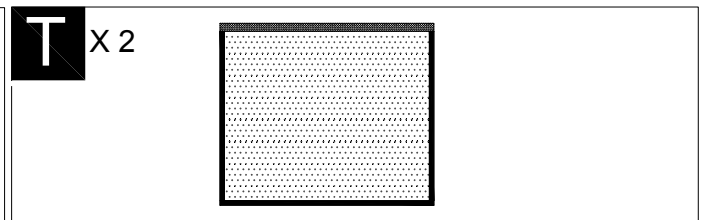
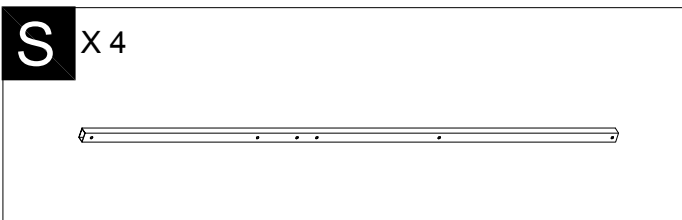
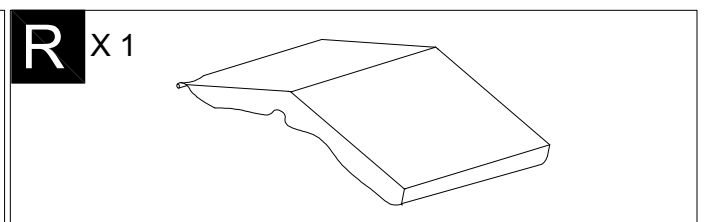
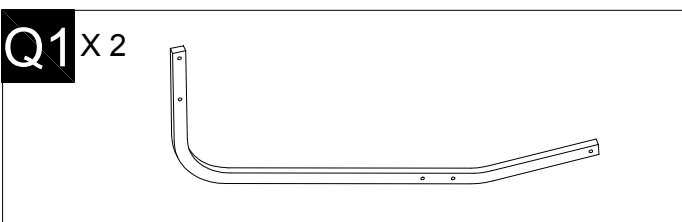
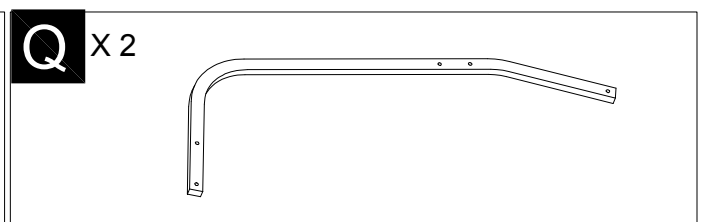
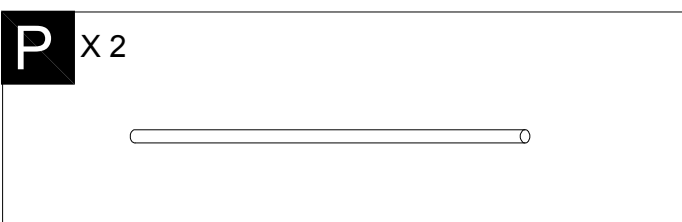
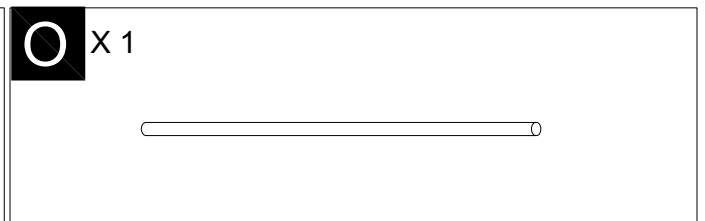
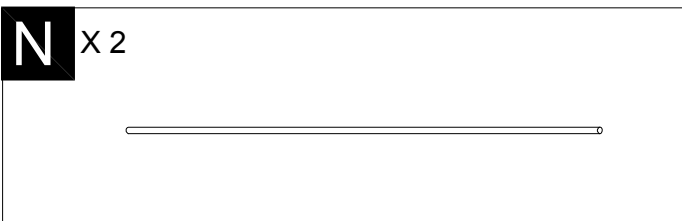
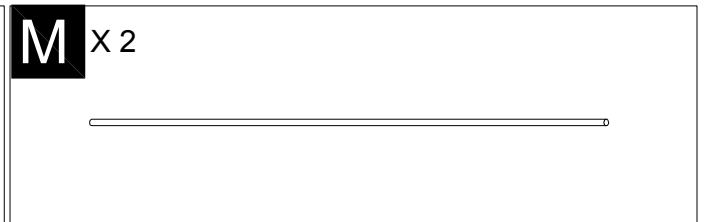
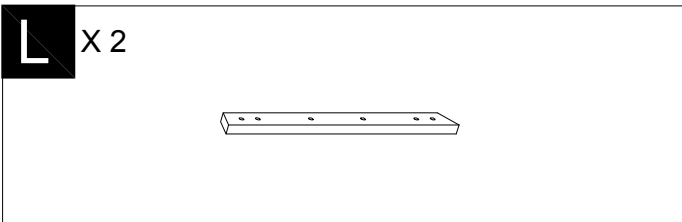
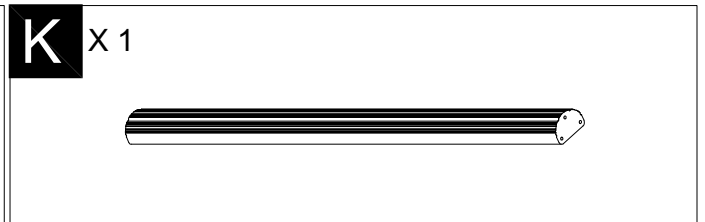
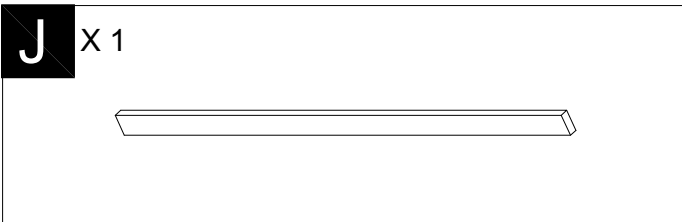
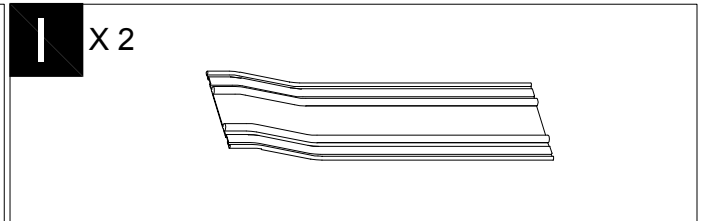
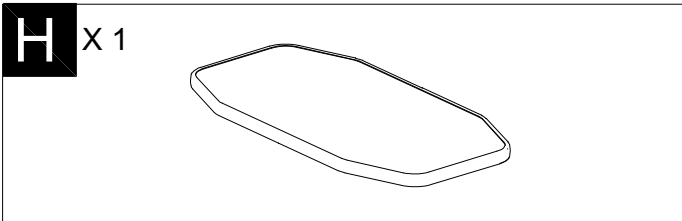


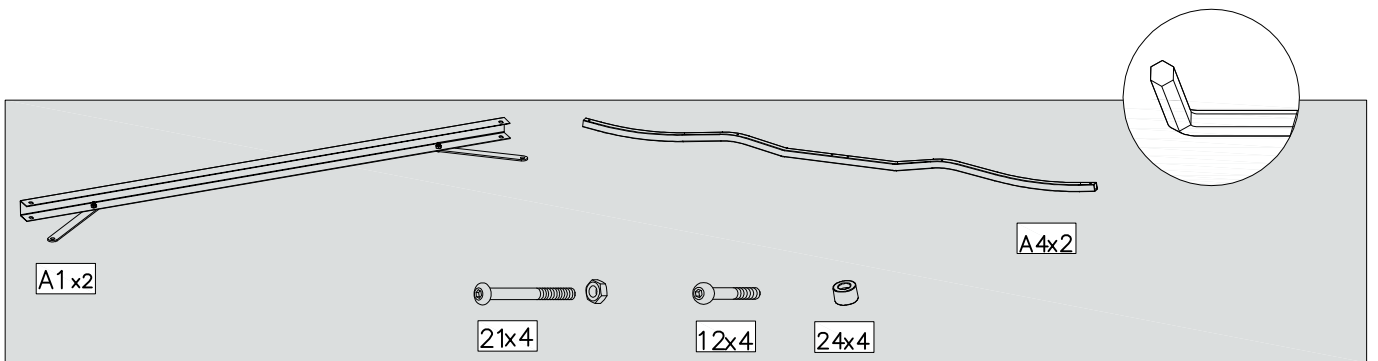
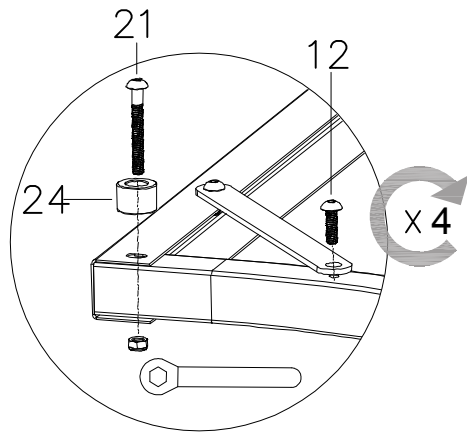
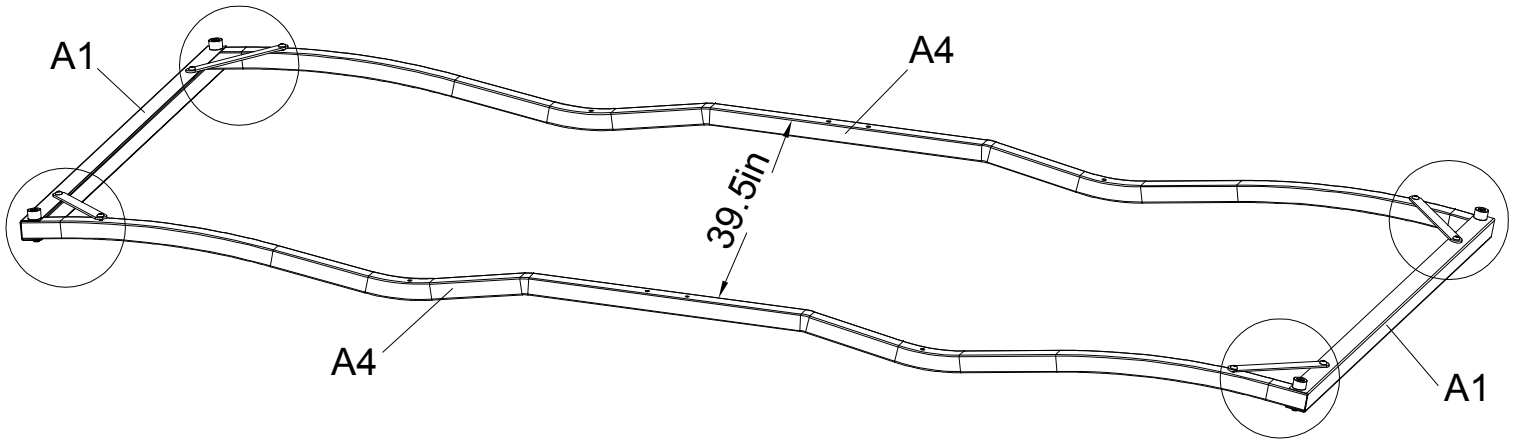
F X 2

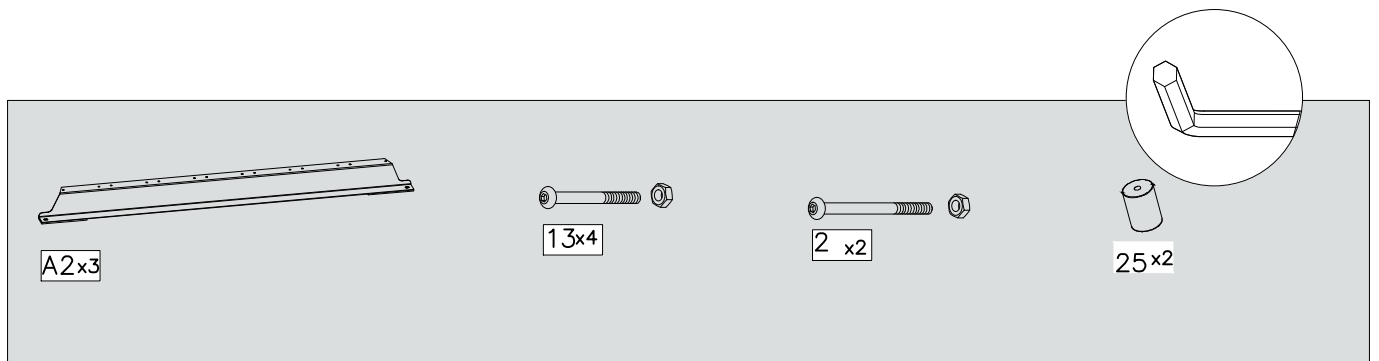
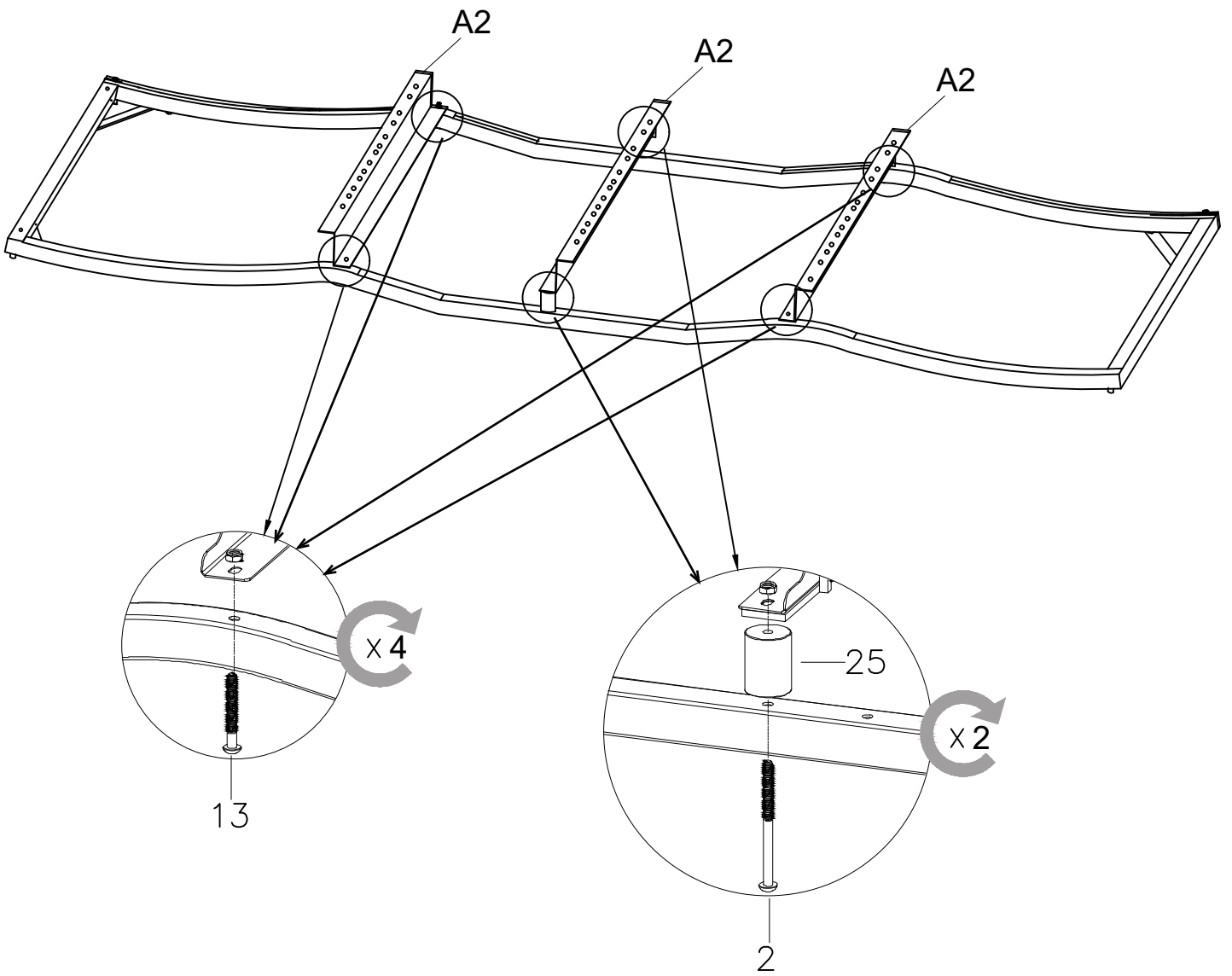


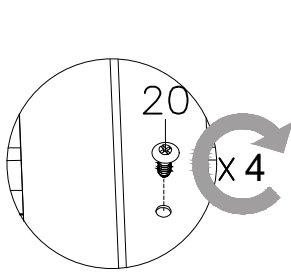
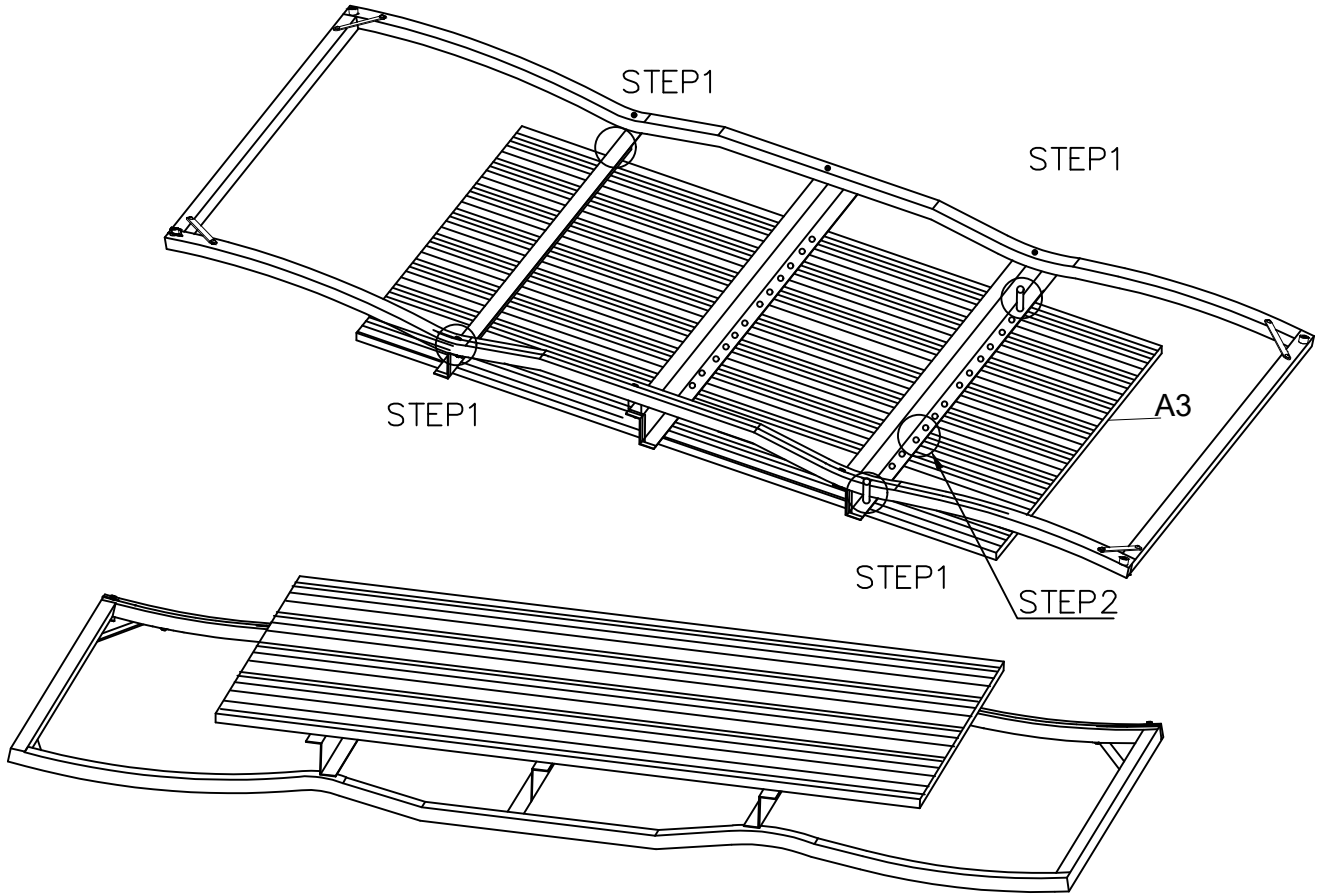
G X 2



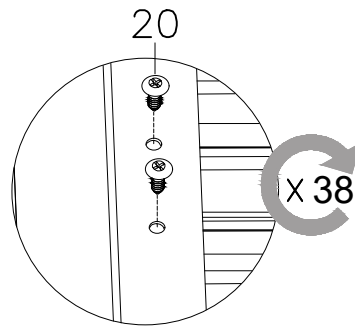




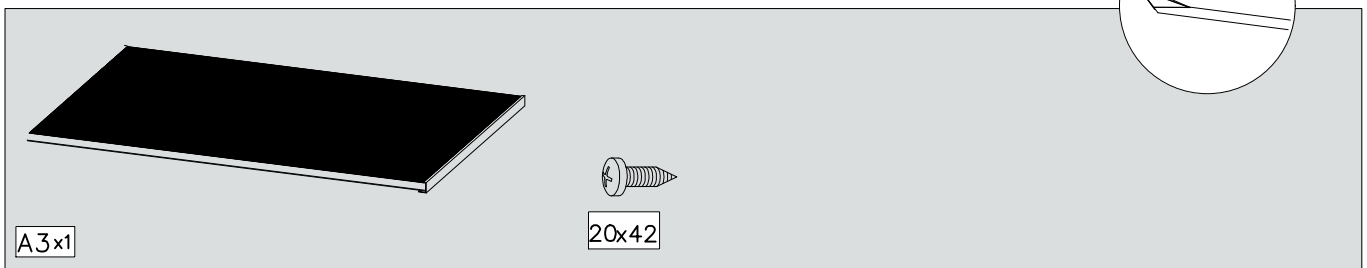


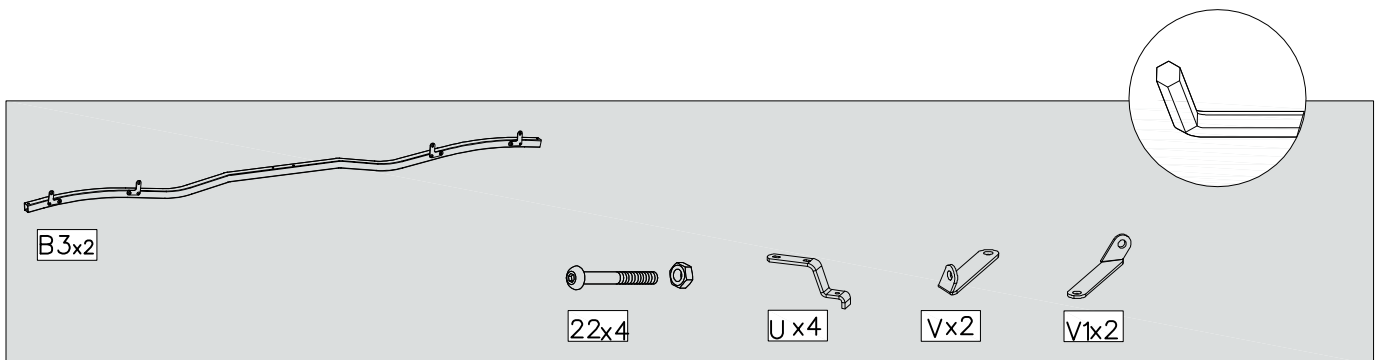
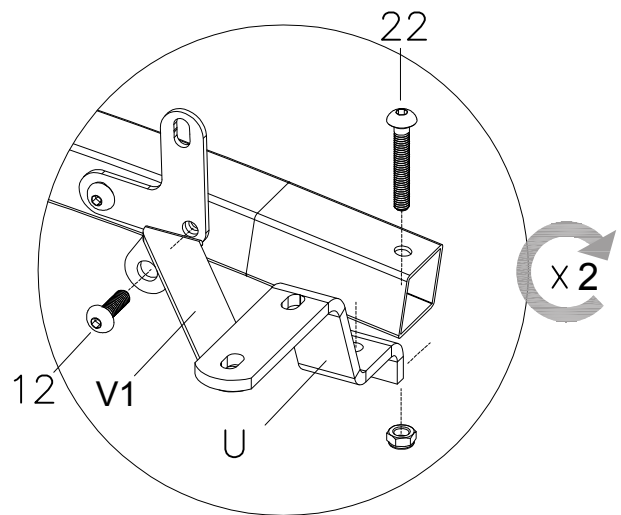
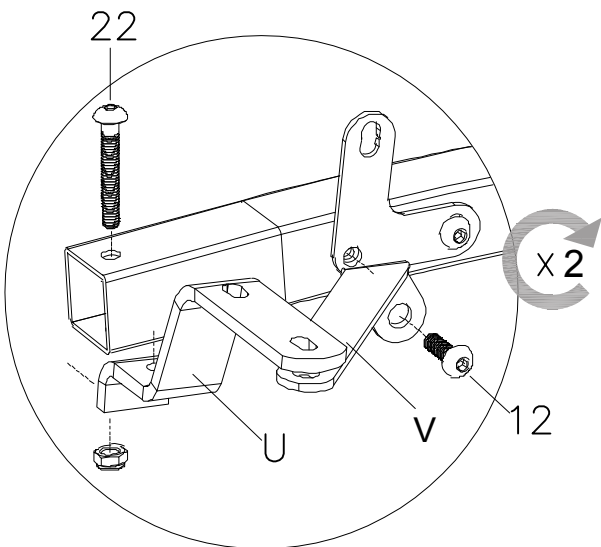
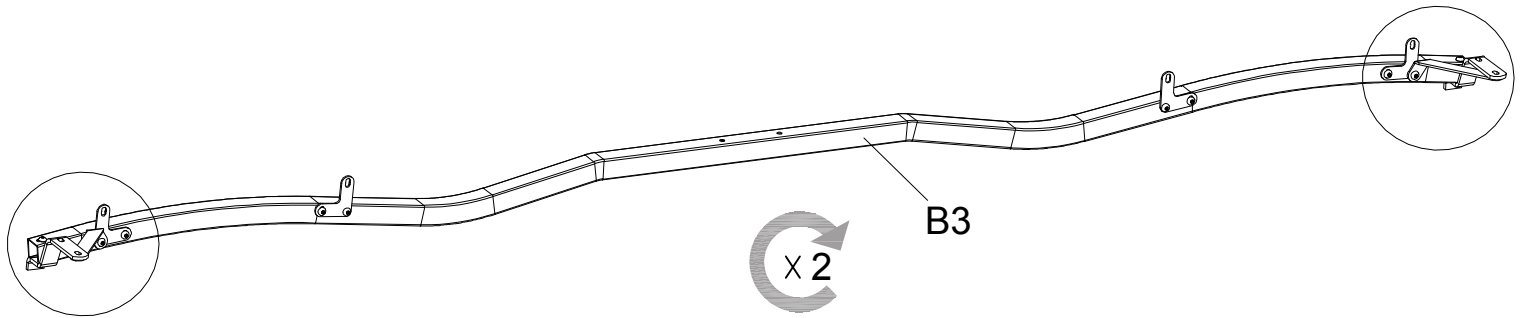


STEP 1

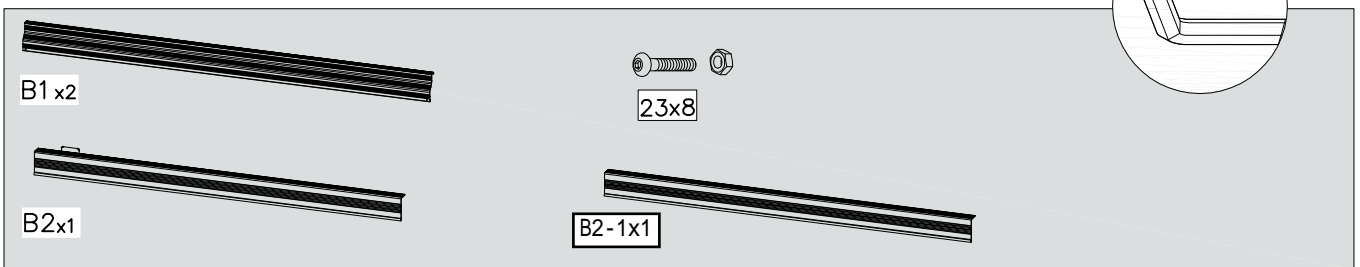
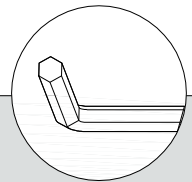
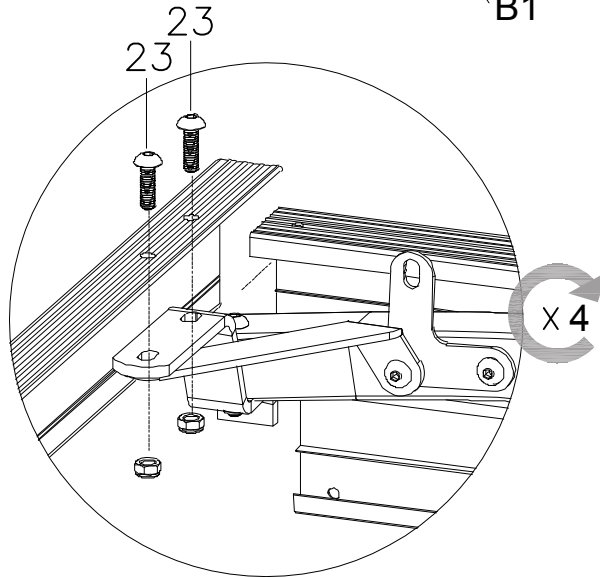
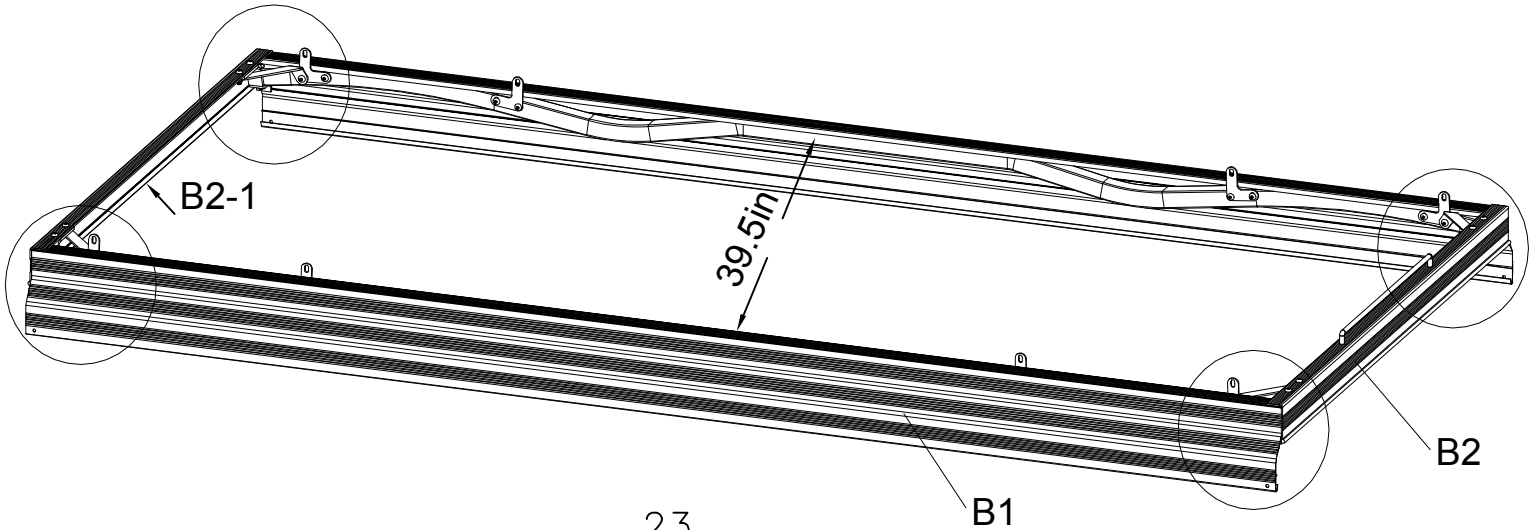


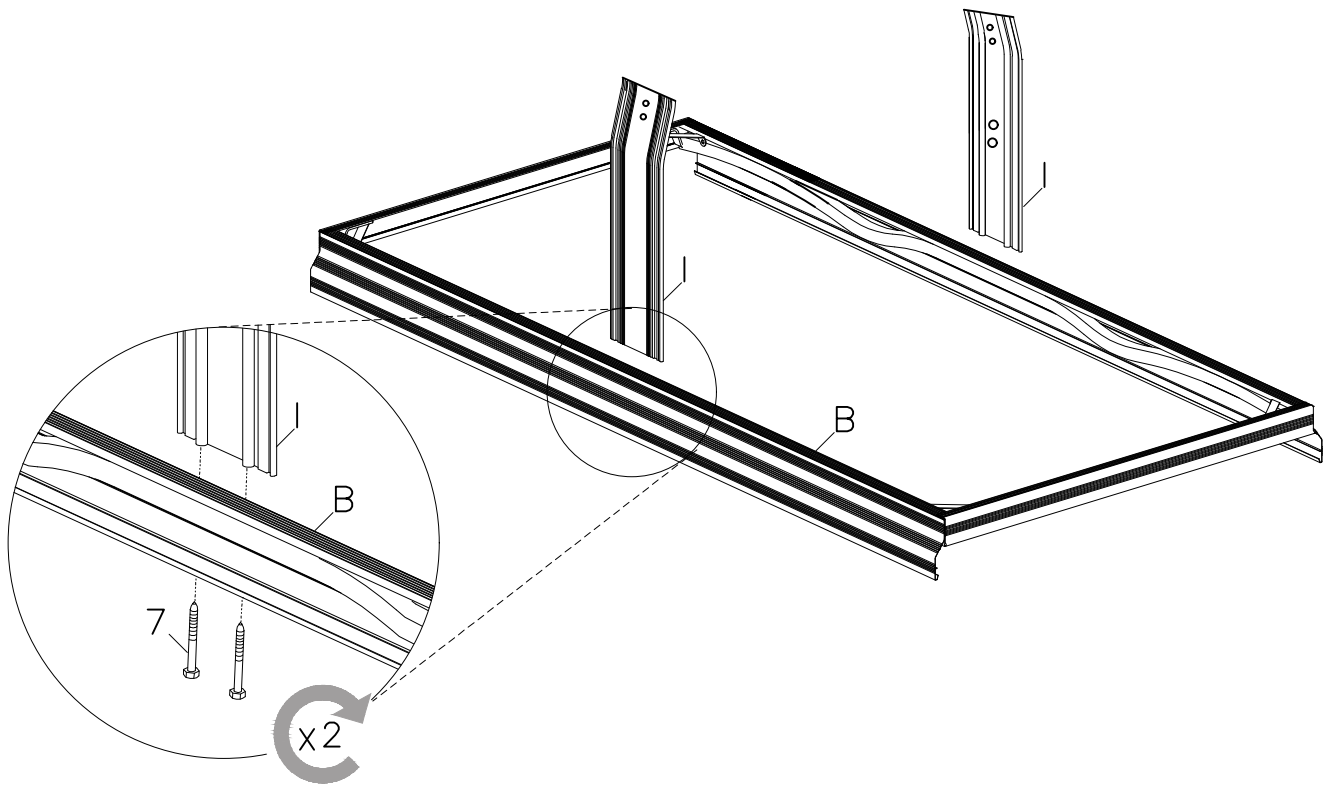
STEP 2



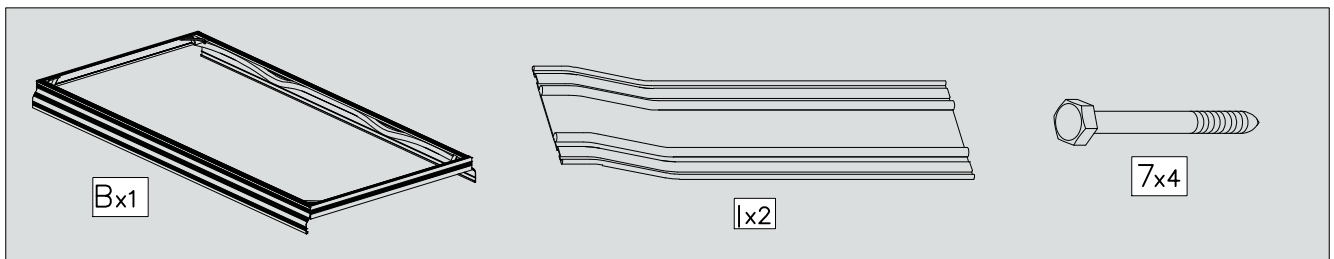


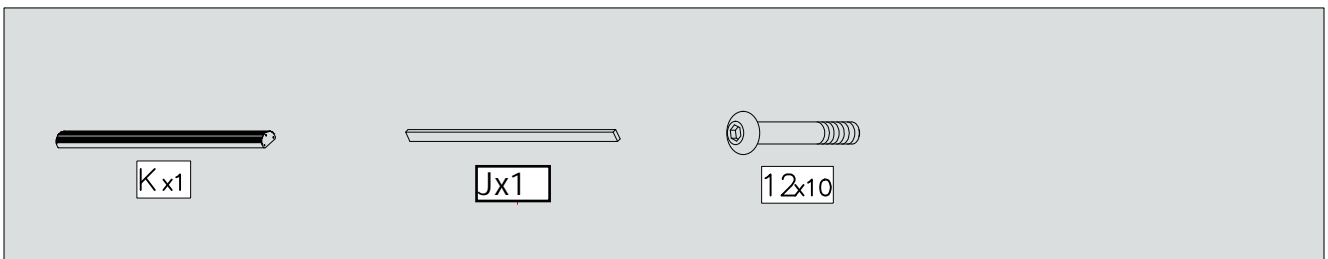
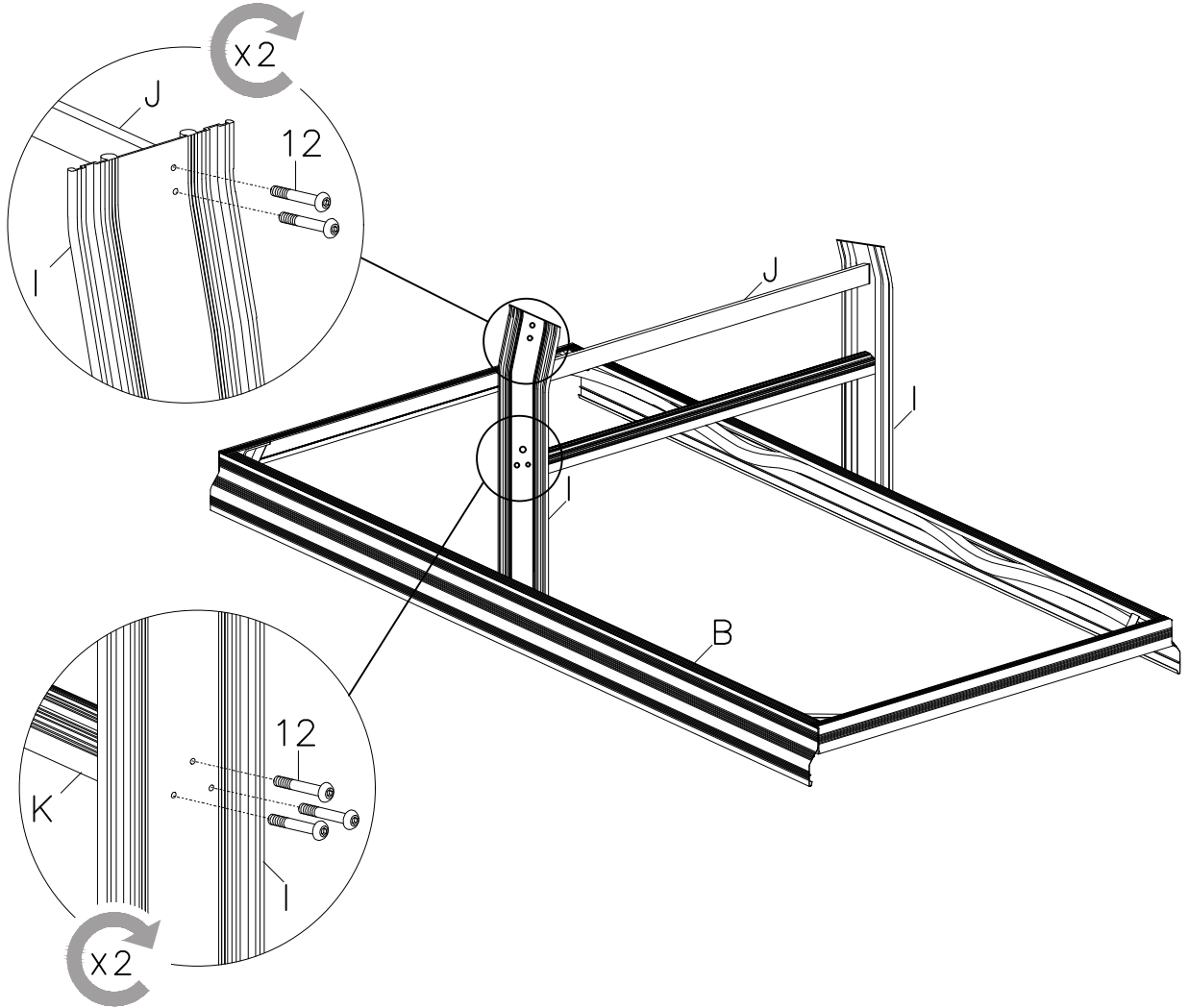
05/20

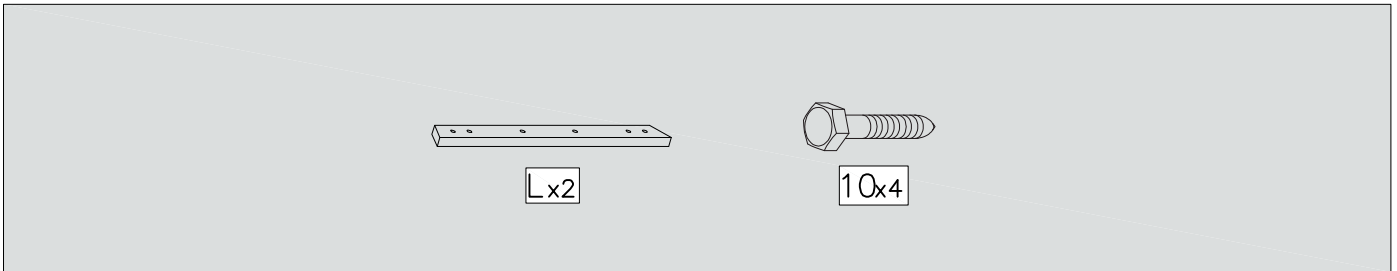
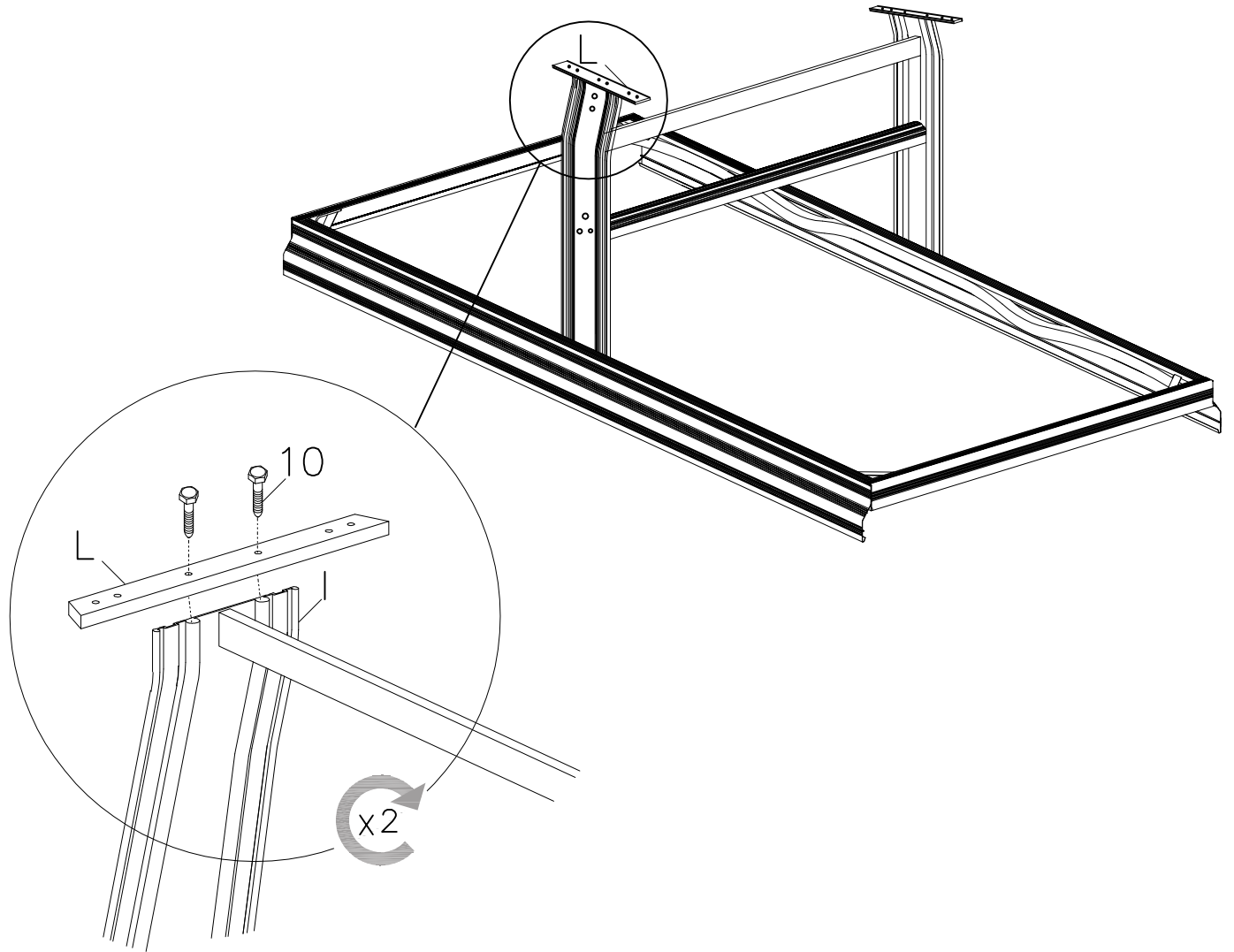


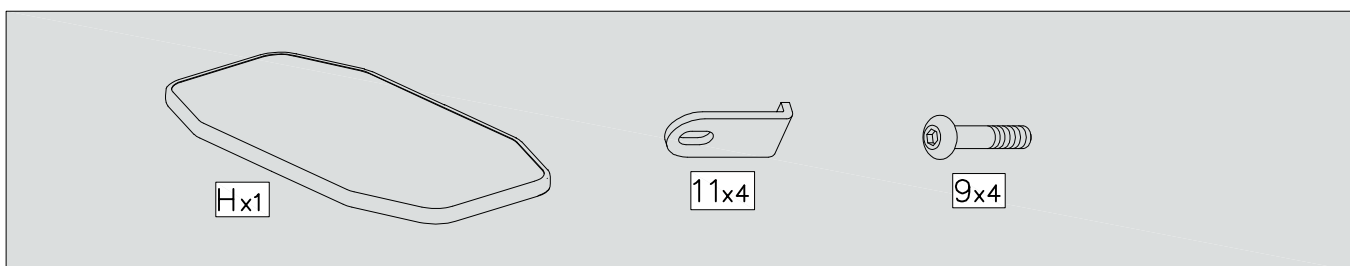
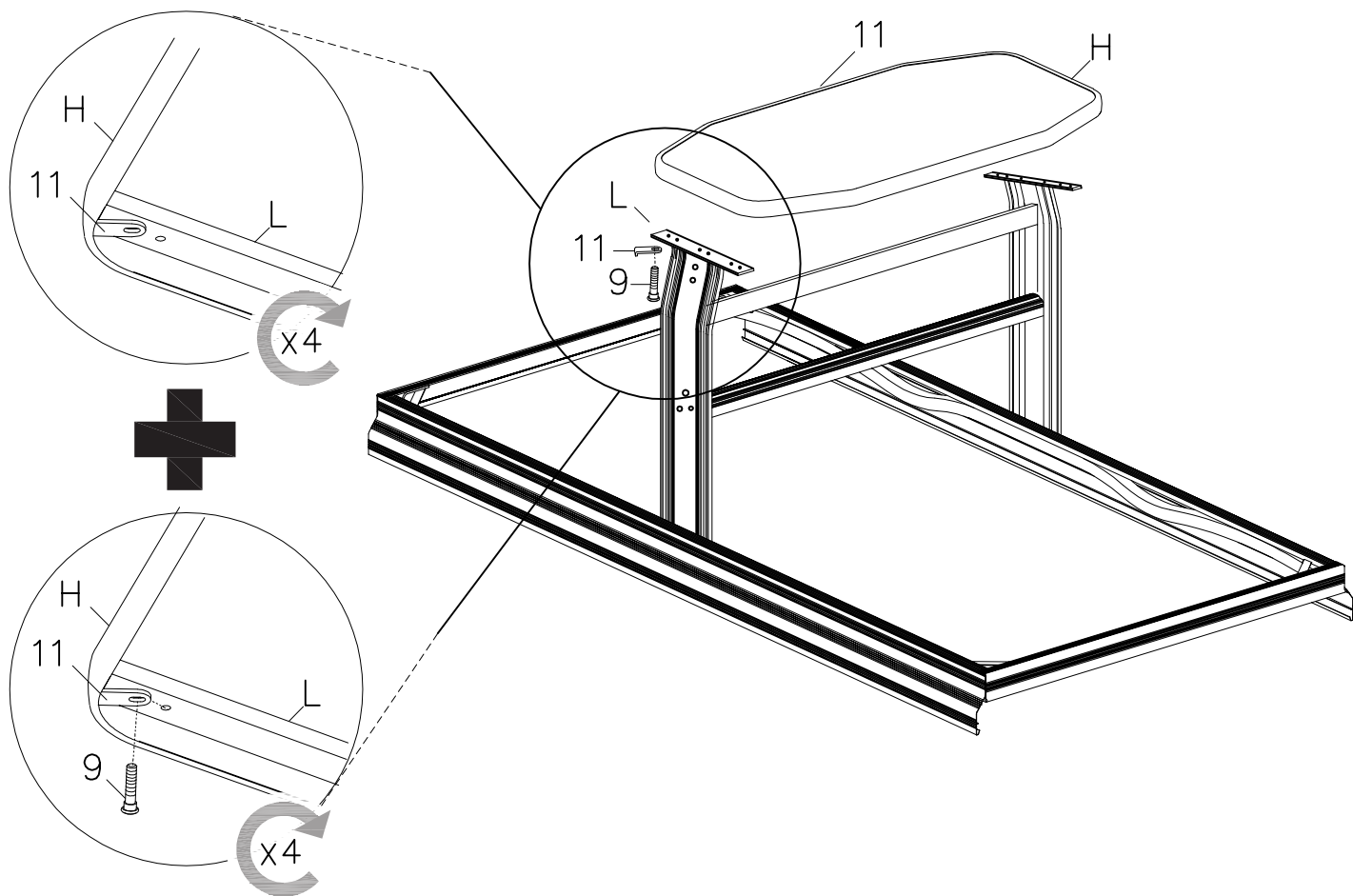


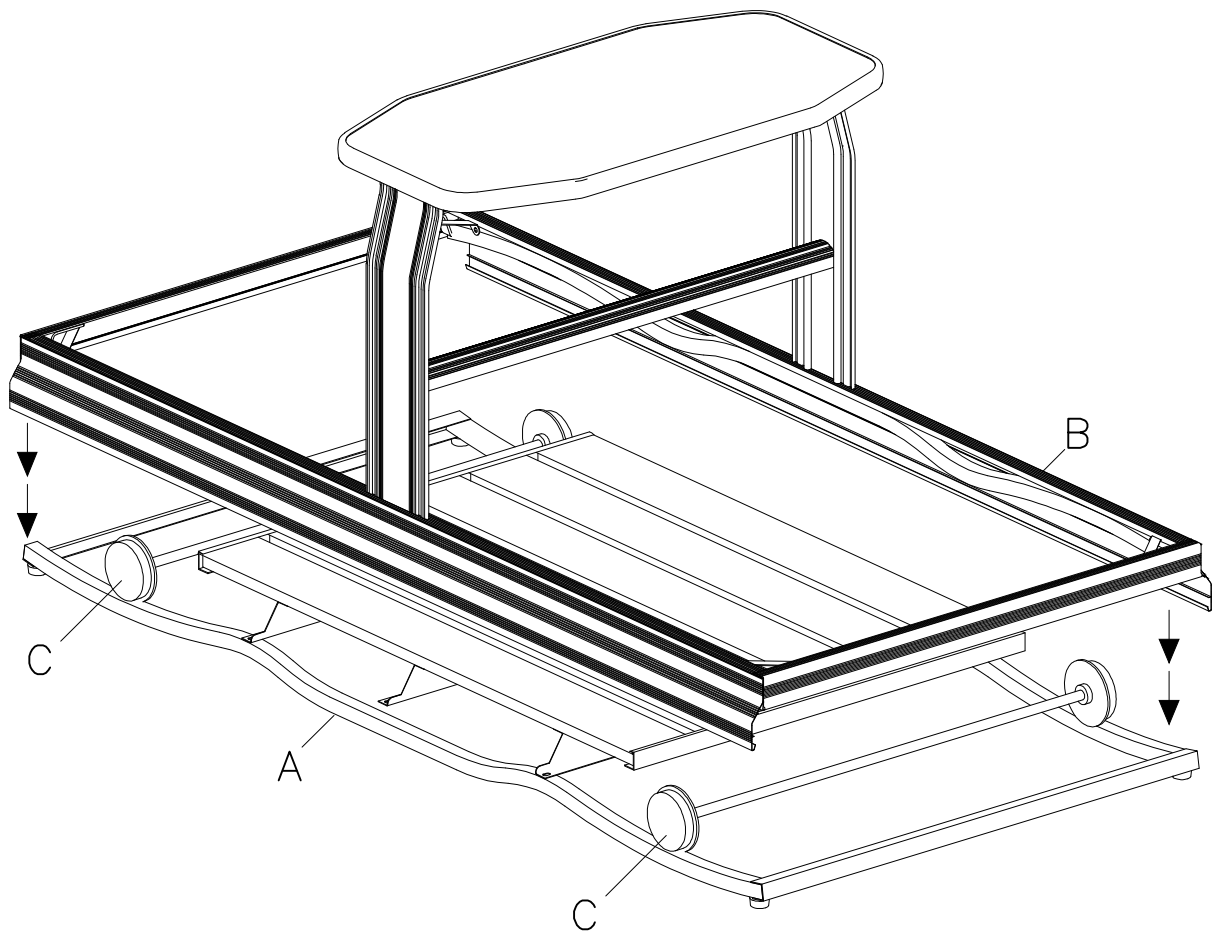
Note: Part B is assembled from B1 and B2.



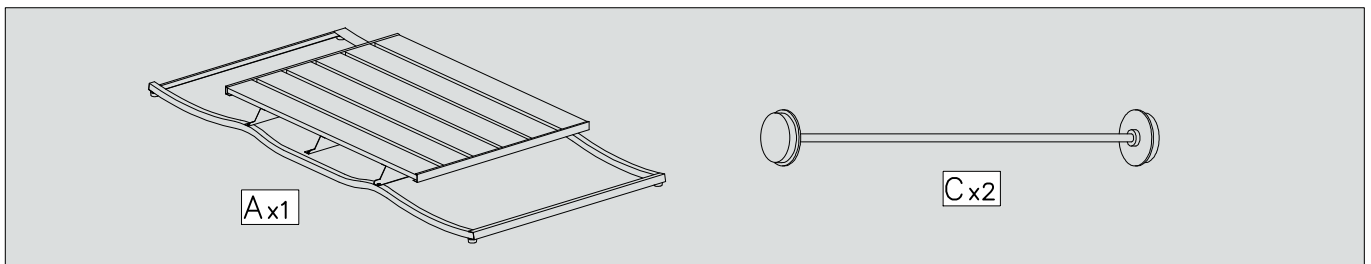


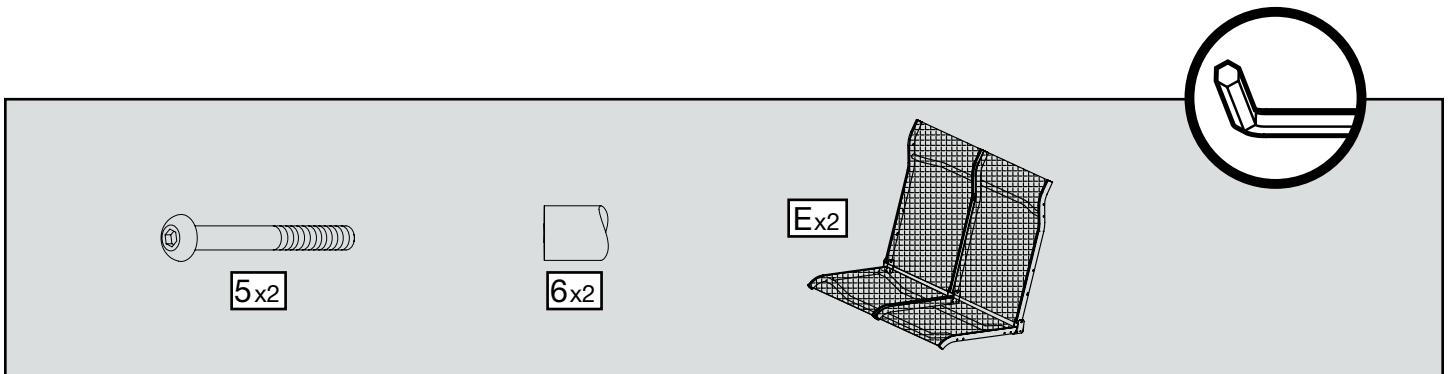
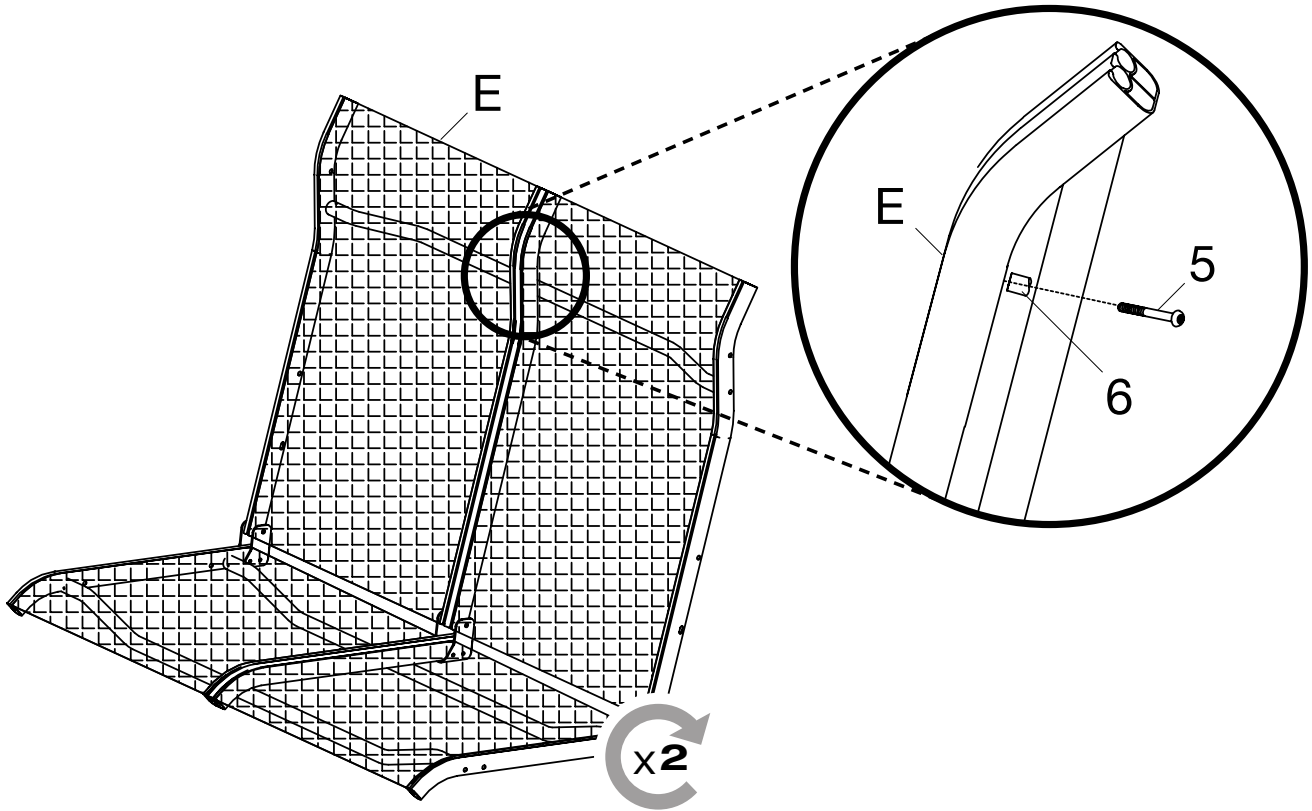


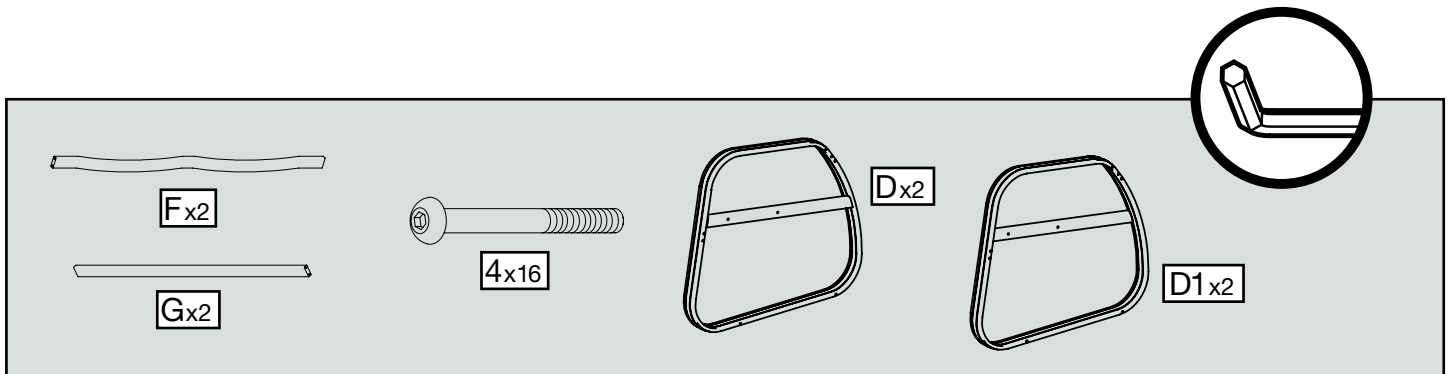
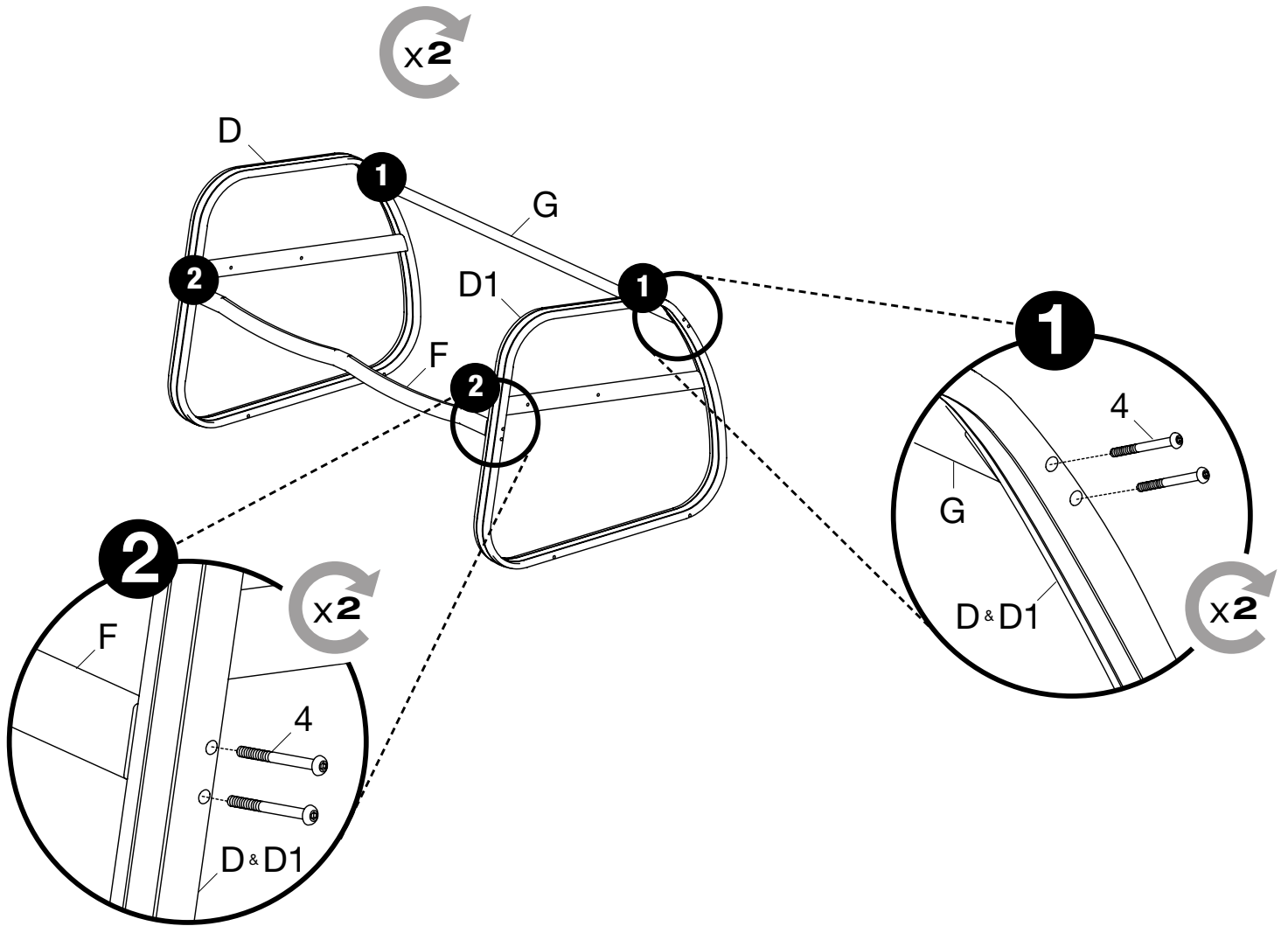


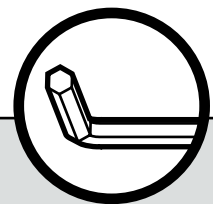
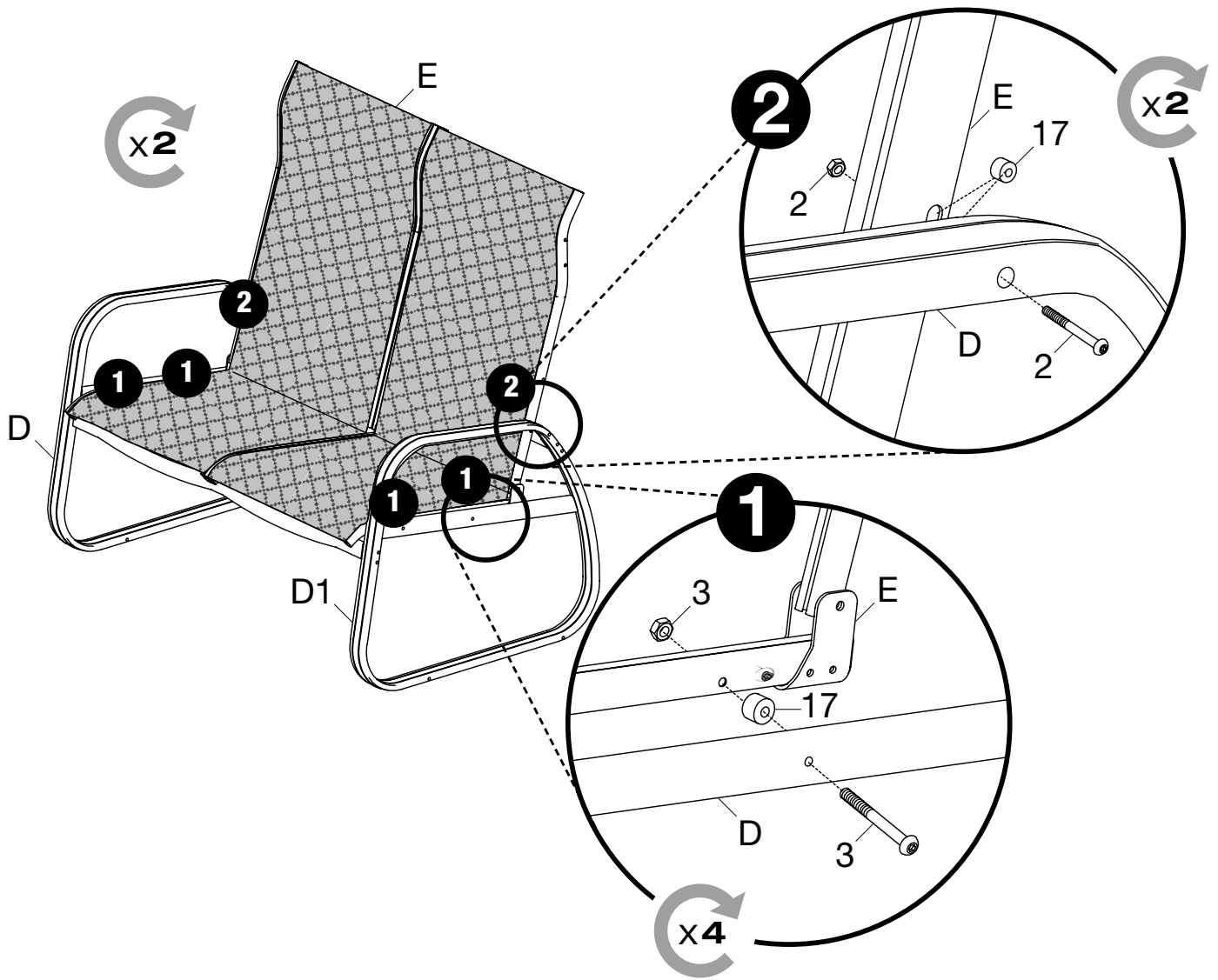


Note: Part A is assembled from A1,A2 and A3.

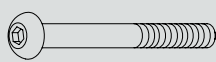








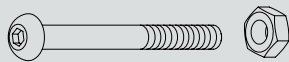
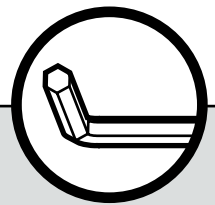
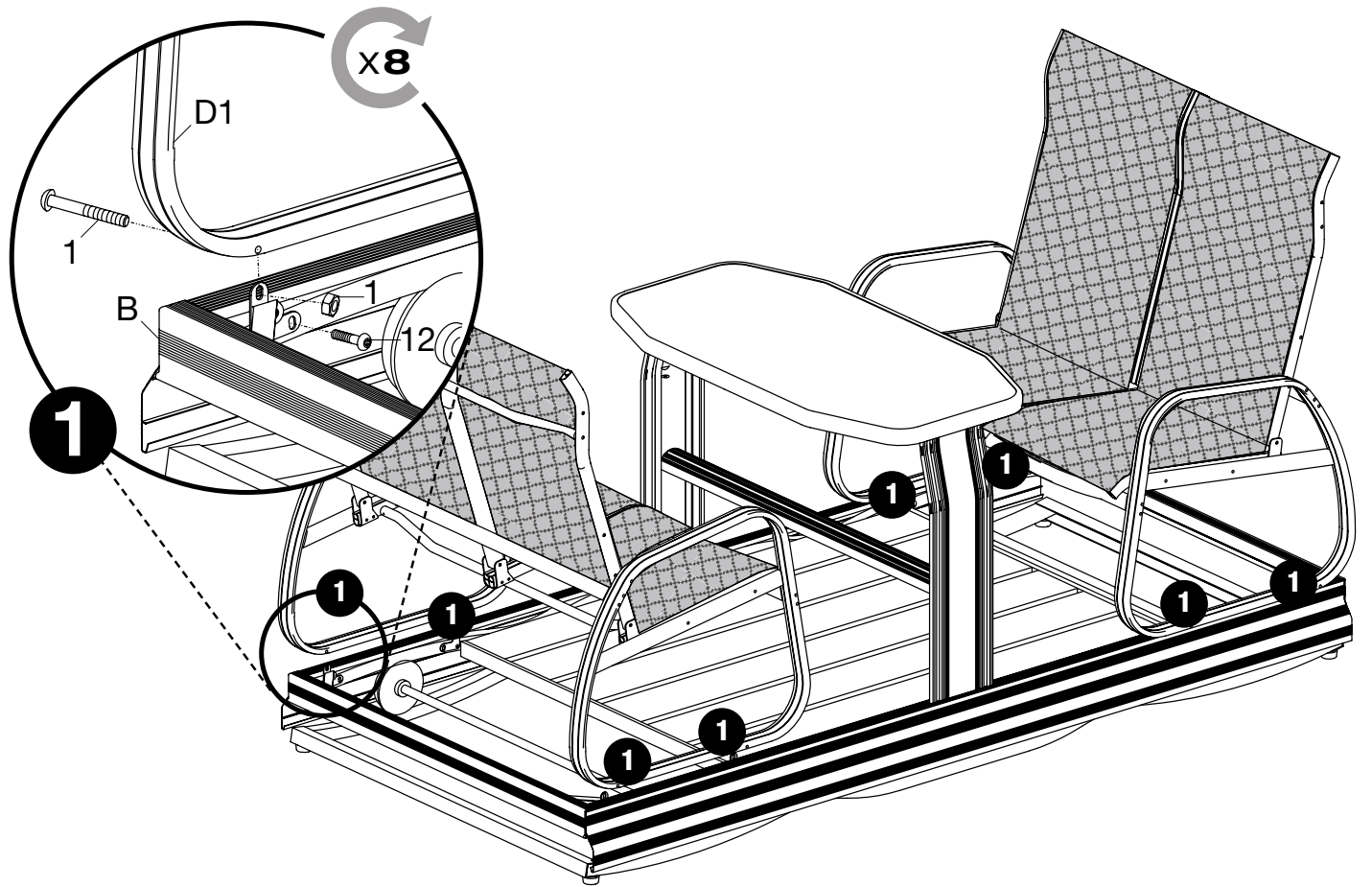
2x4



3x8



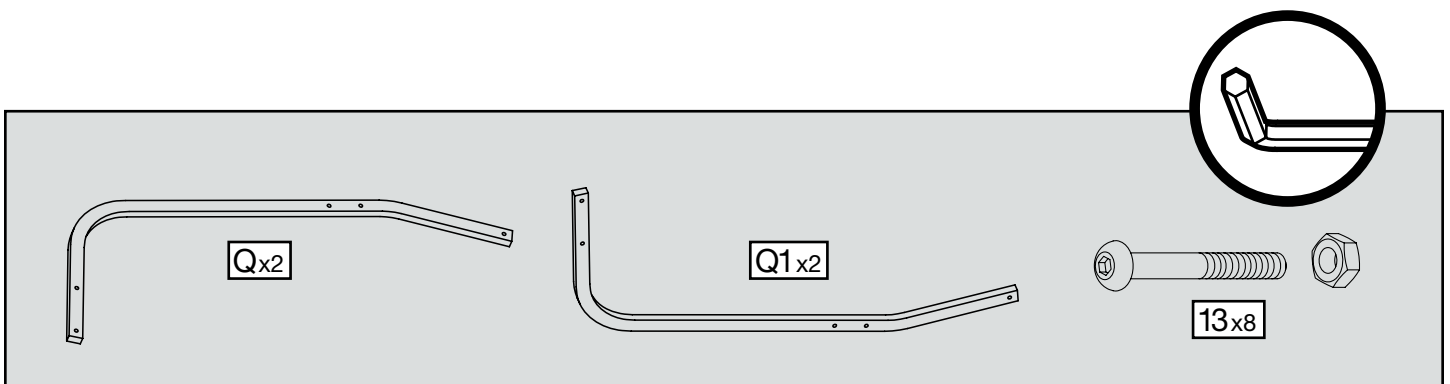
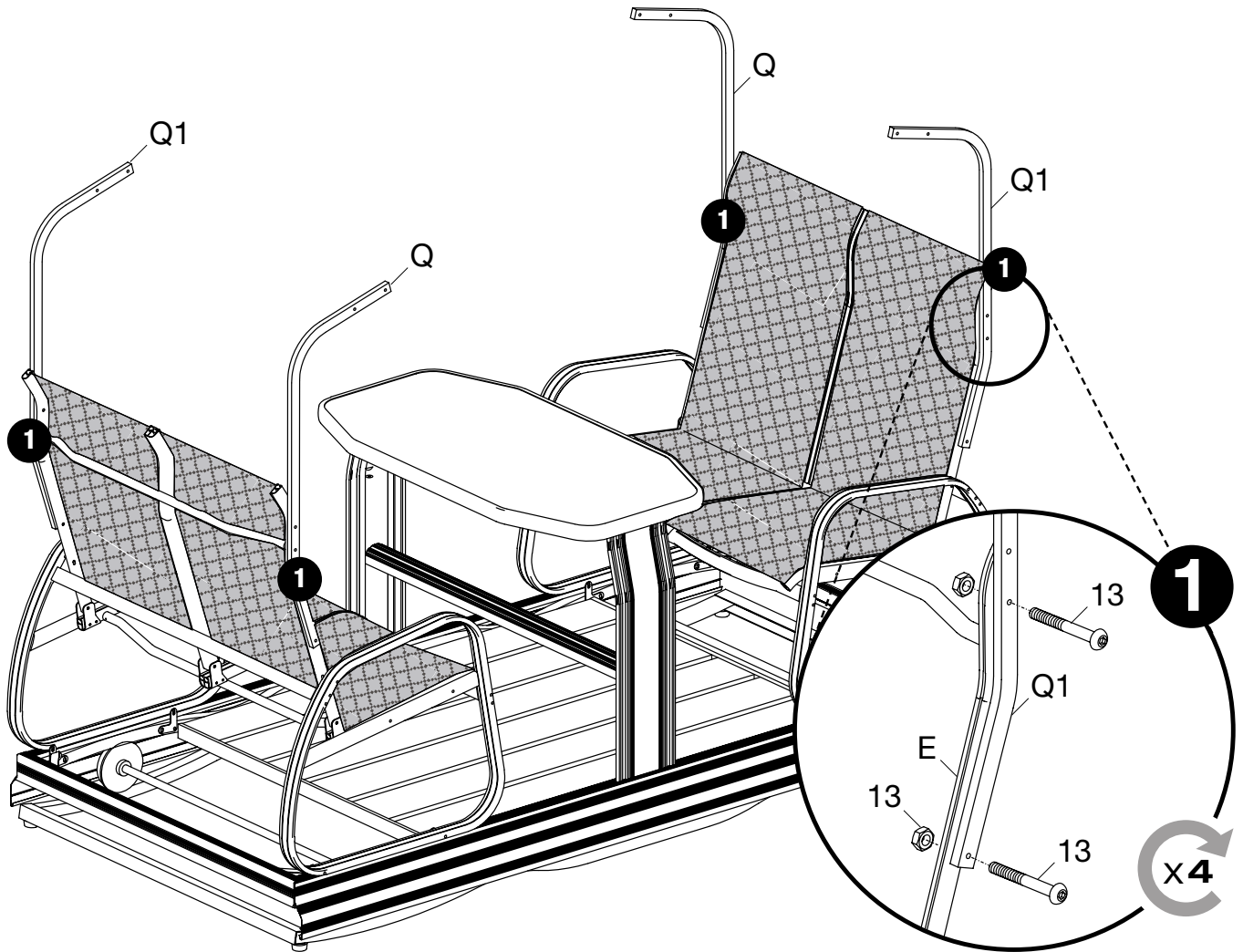
17x12

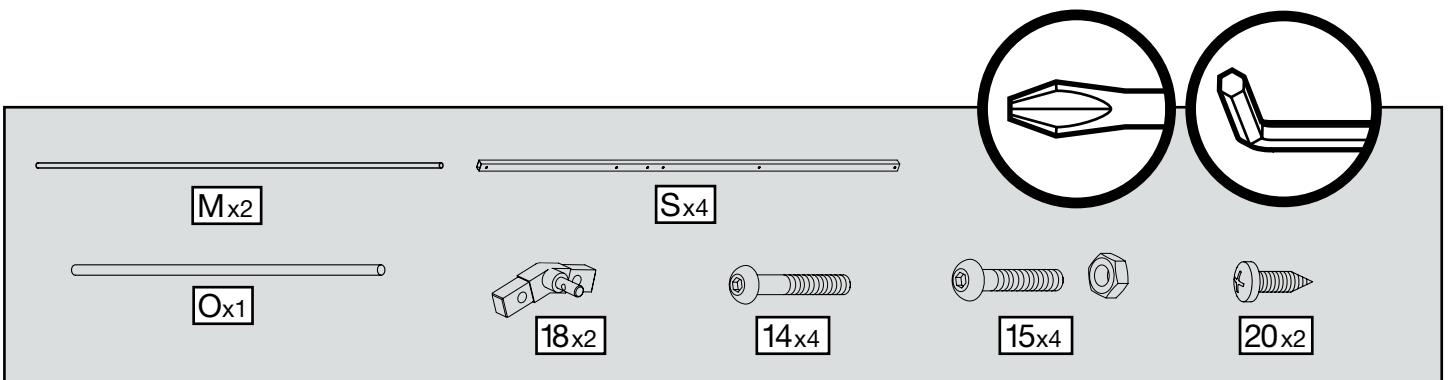
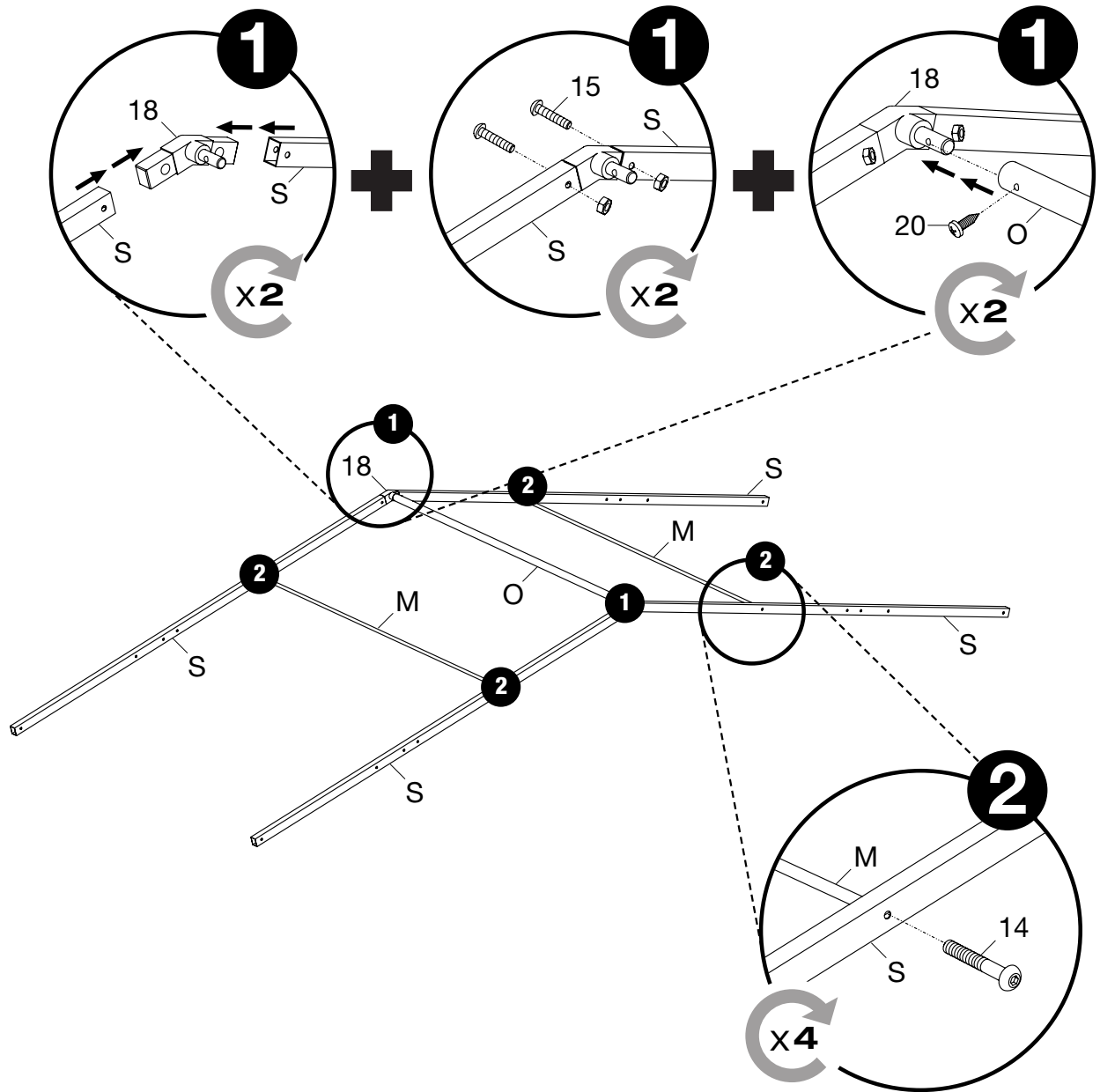


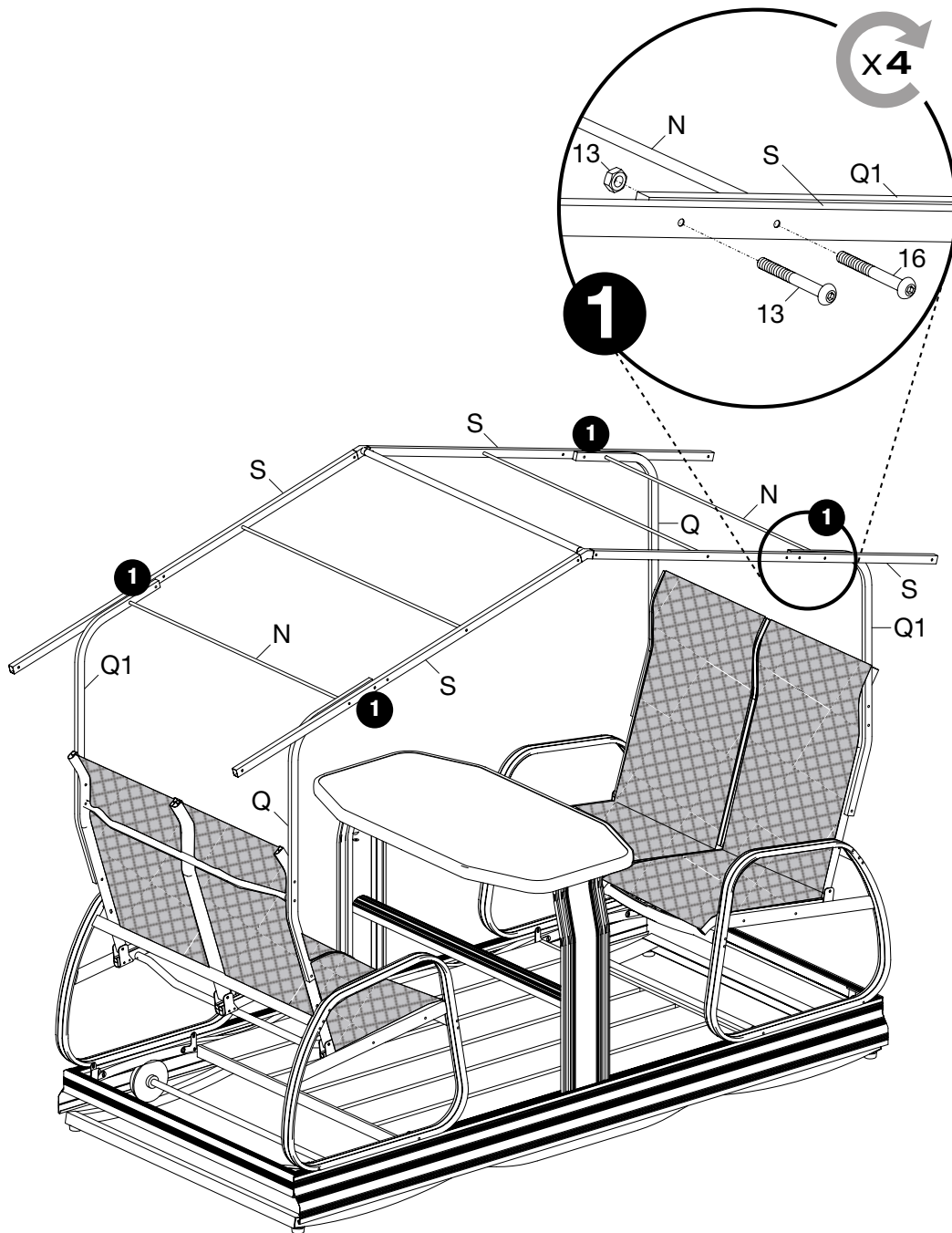
1x8



12x8







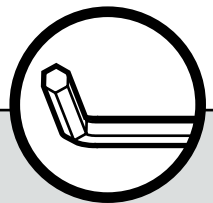
1

x4

1

1

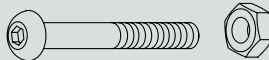
1



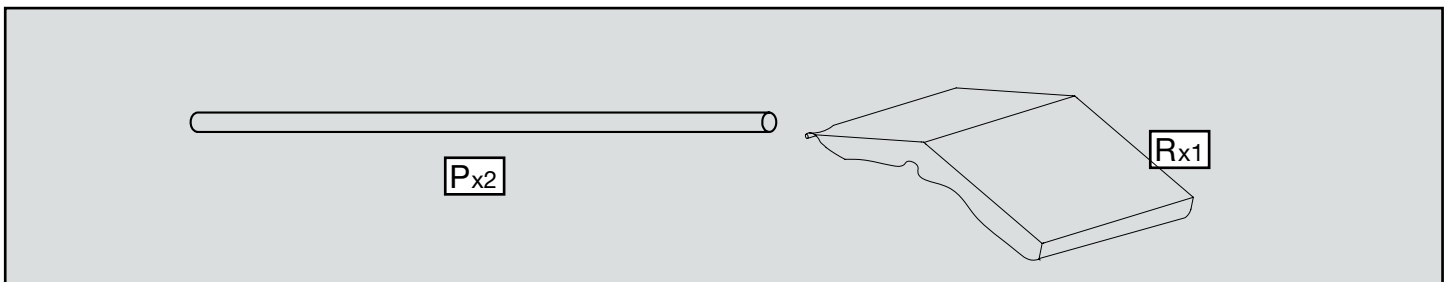
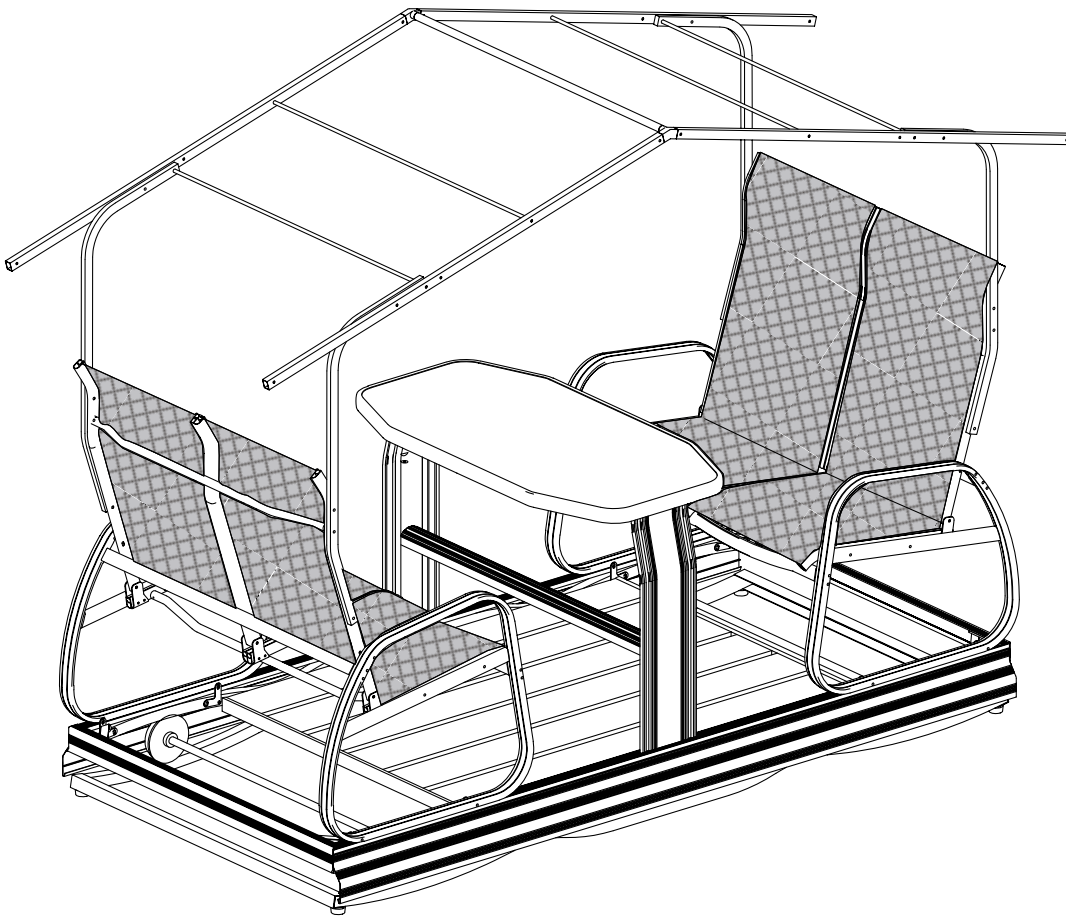
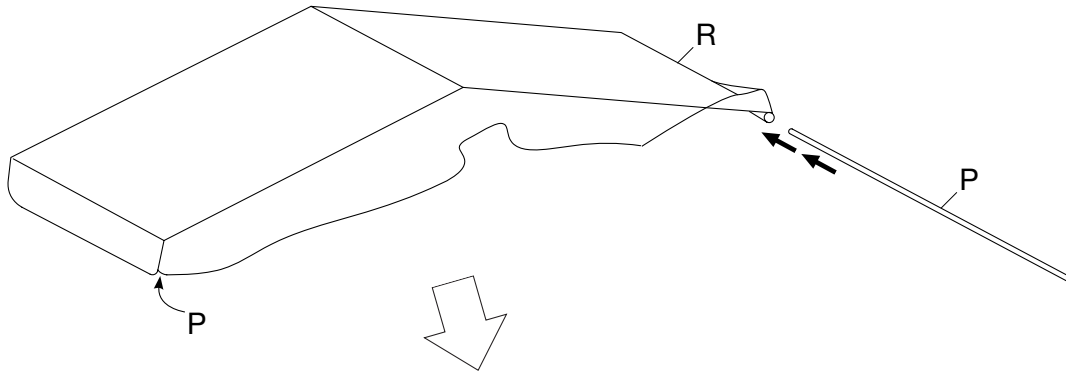
Nx2

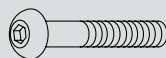
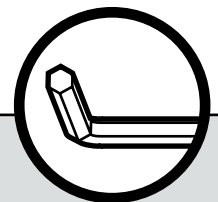
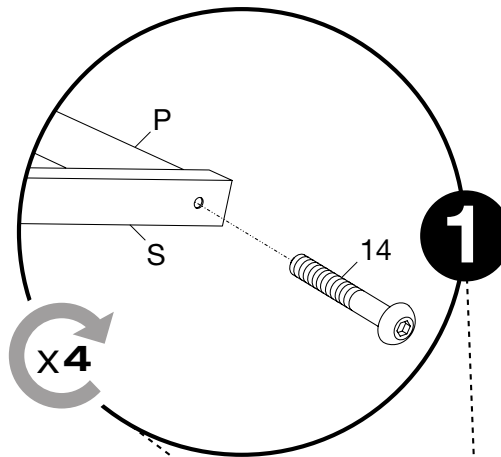
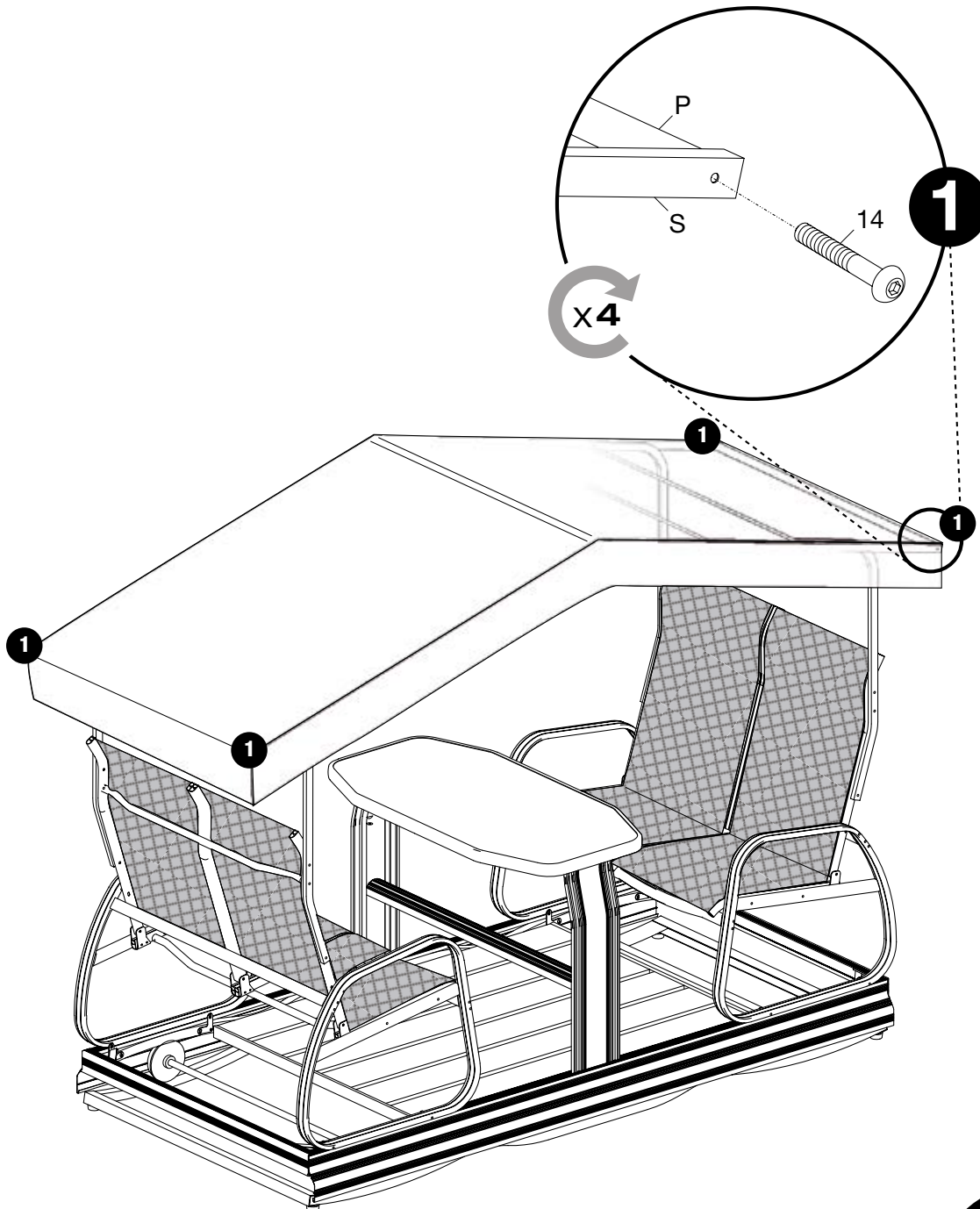


16x4



13x4





14x4

