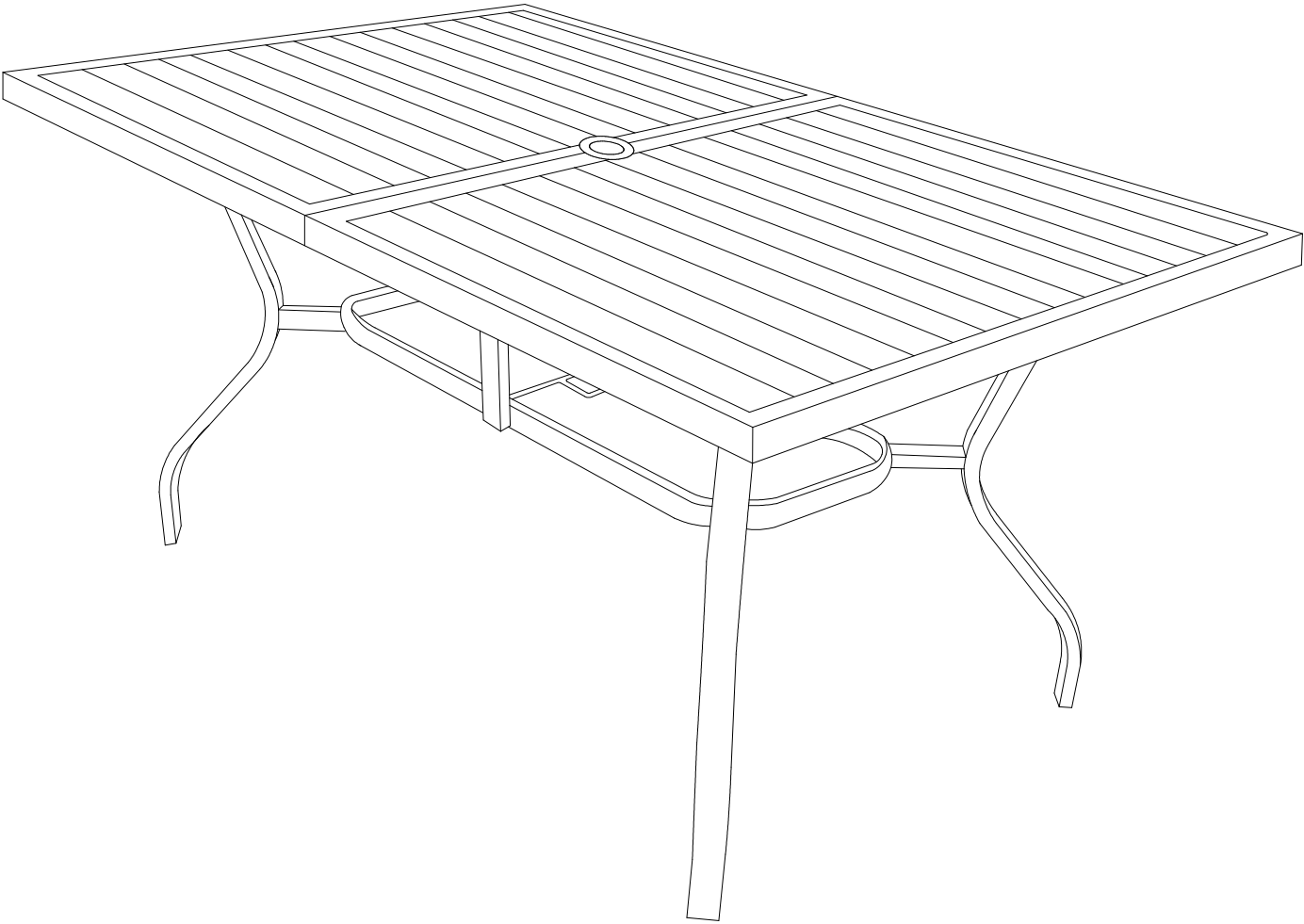
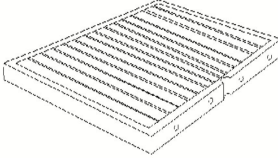

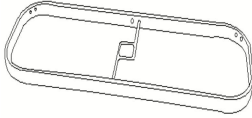
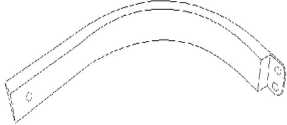



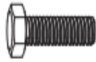


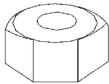


**21038-TT-B DINING TABLE  
(SKU#LYOT-036DB)**



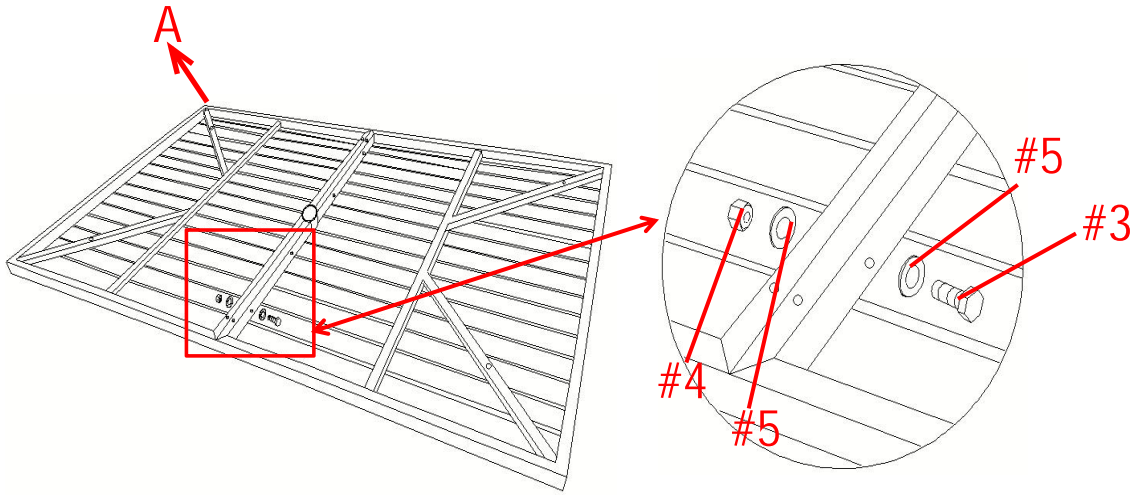
# PARTS LISTS

<b>A</b> 	<b>B</b> 	<b>C</b> 	<b>D</b> 
2PCS	4PCS	1PCS	2PCS
<b>X</b> 			
1PCS			

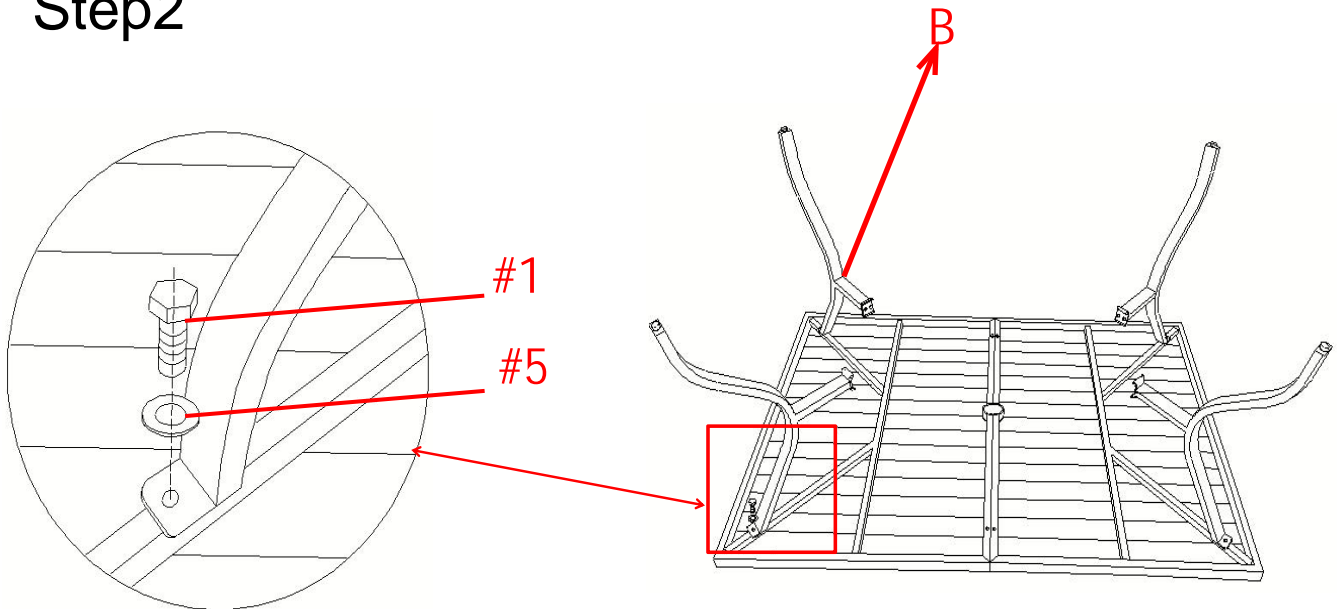
# HARDWARE LISTS

<b>#1</b>  <p>M6*15mm bolt</p>	<b>#2</b>  <p>M6*25mm bolt</p>	<b>#3</b>  <p>M6*50mm bolt</p>	<b>#4</b>  <p>M6 nut</p>
16PCS	2PCS	4PCS	4PCS
<b>#5</b>  <p>M6 washer</p>	<b>#6</b>  <p>Socket wrench</p>		
26PCS	2PCS		

# Step1

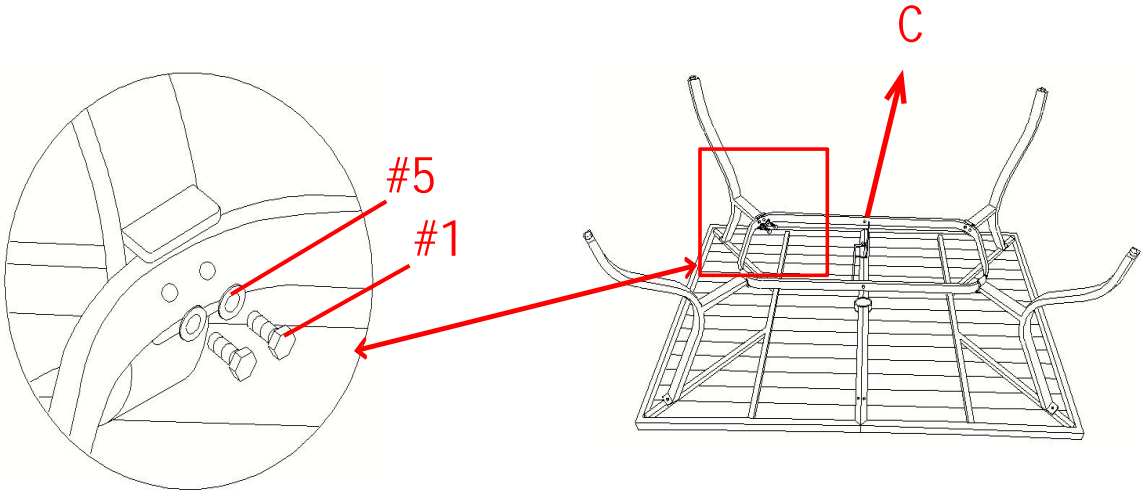


# Step2

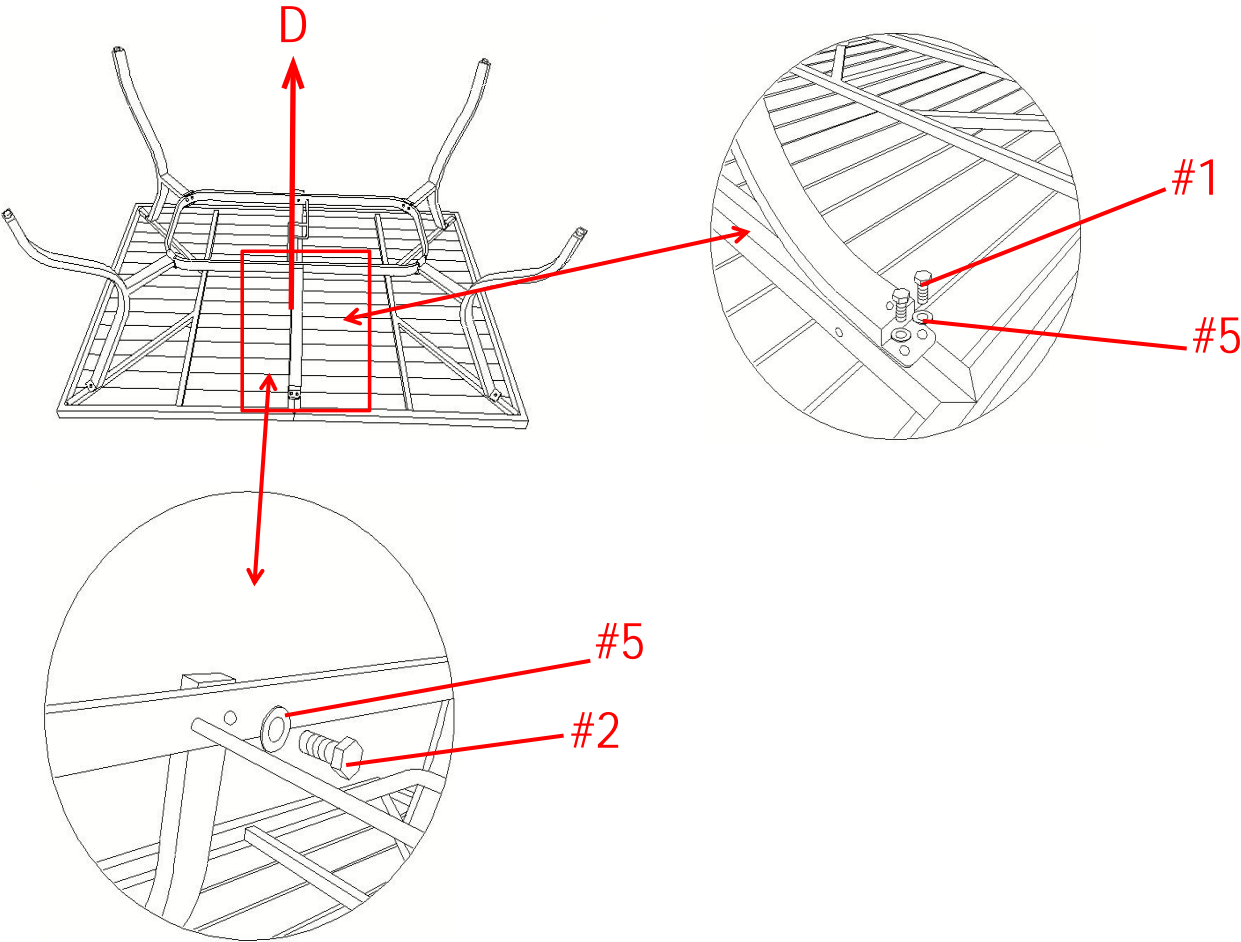


**DO NOT TIGHTEN SCREWS UNTIL ASSEMBLY IS DONE!**

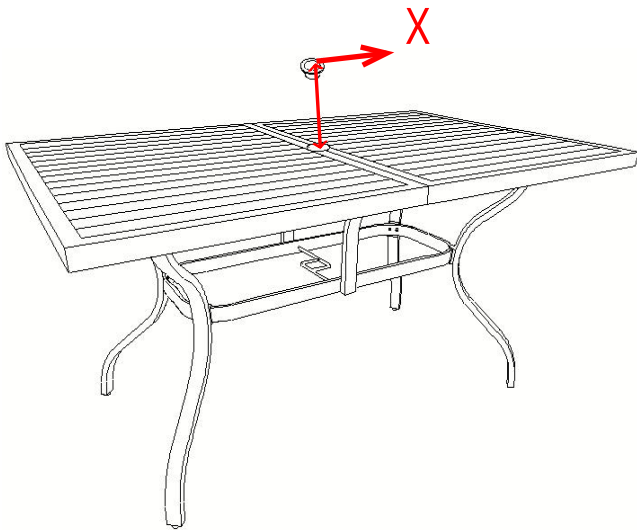
# Step3



# Step4



## Step5



TIGHTEN ALL SCREWS AND TURN IT OVER.