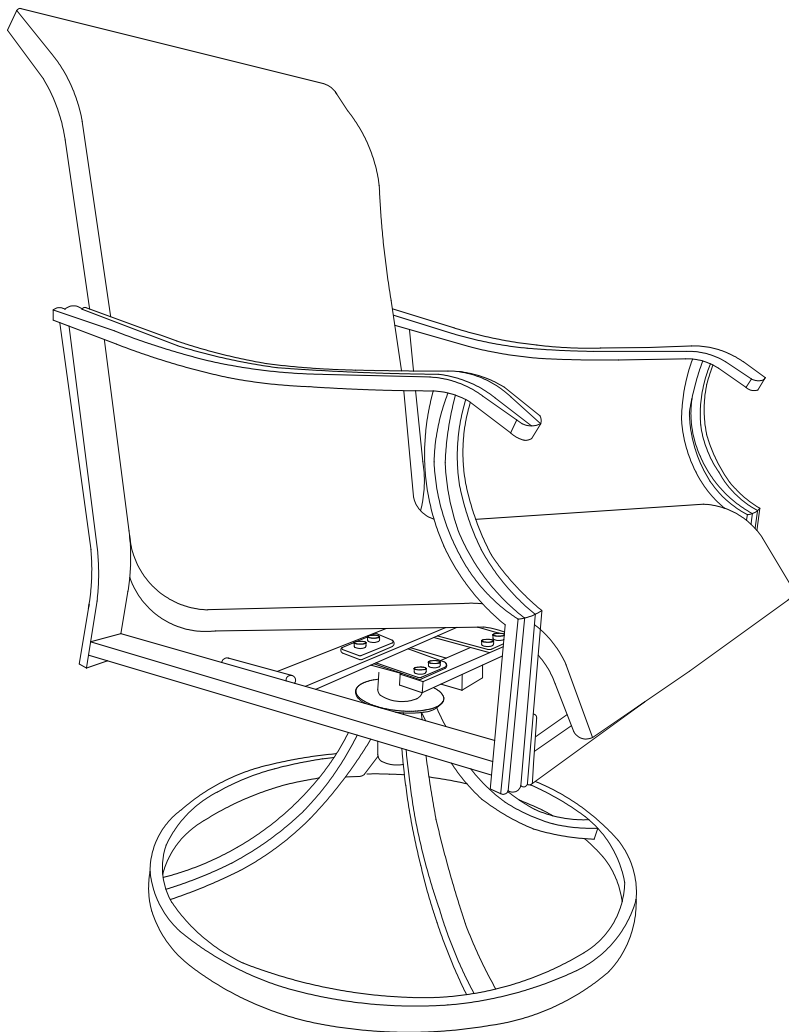
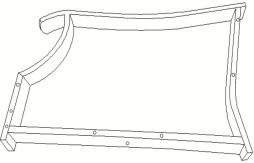
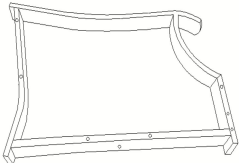
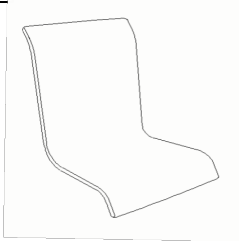
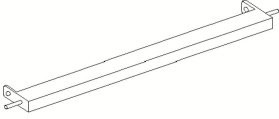
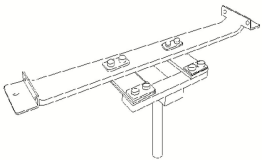
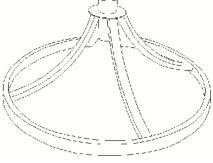



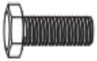


**G12325-DSR TURNING CHAIR  
(SKU#LYOT-034DB)**



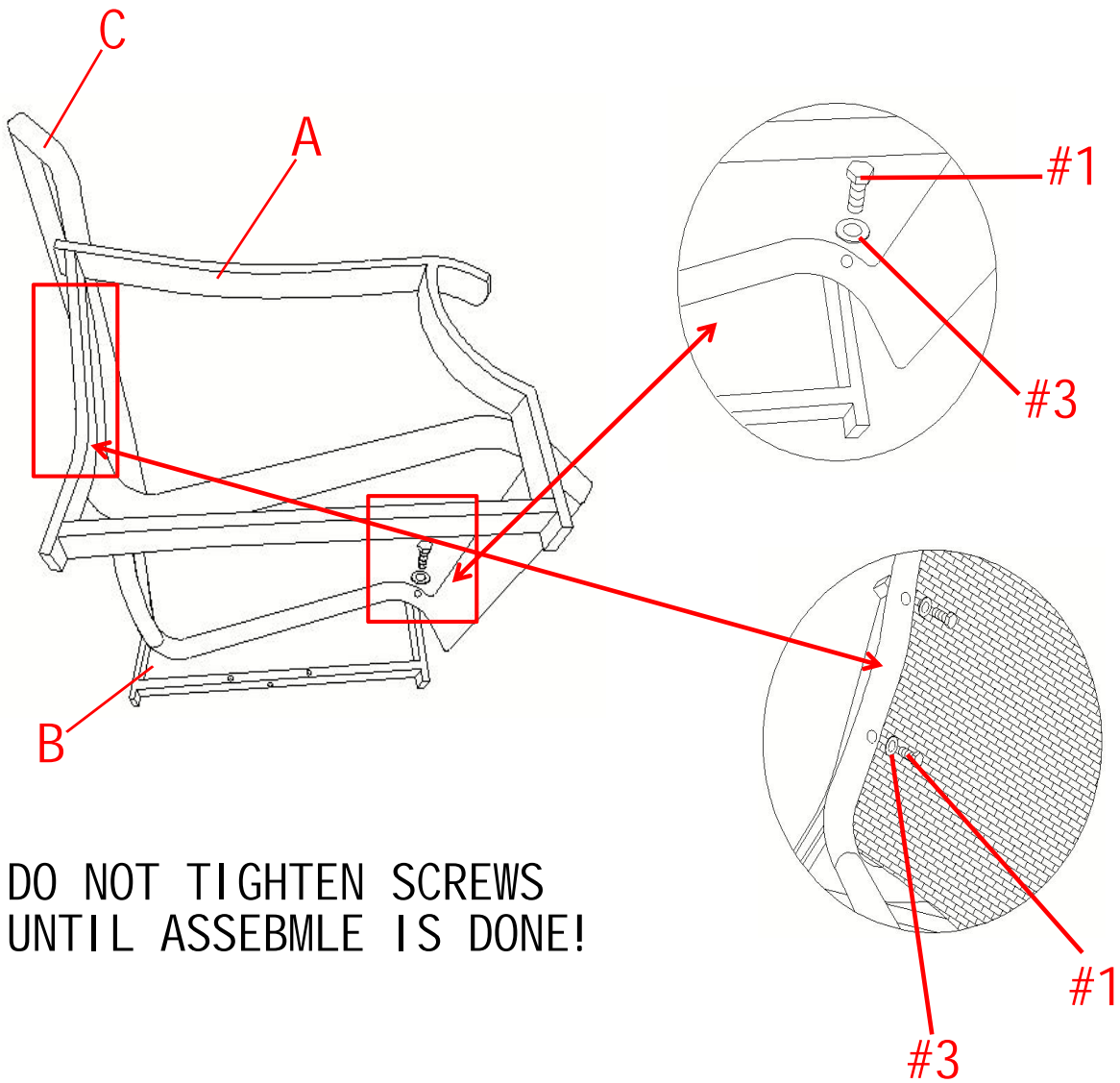
# PARTS LISTS

<b>A</b> 	<b>B</b> 	<b>C</b> 	<b>D</b> 
1PC	1PC	1PC	1PC
<b>E</b> 	<b>F</b> 		
1PC	1PC		

# HARDWARE LISTS

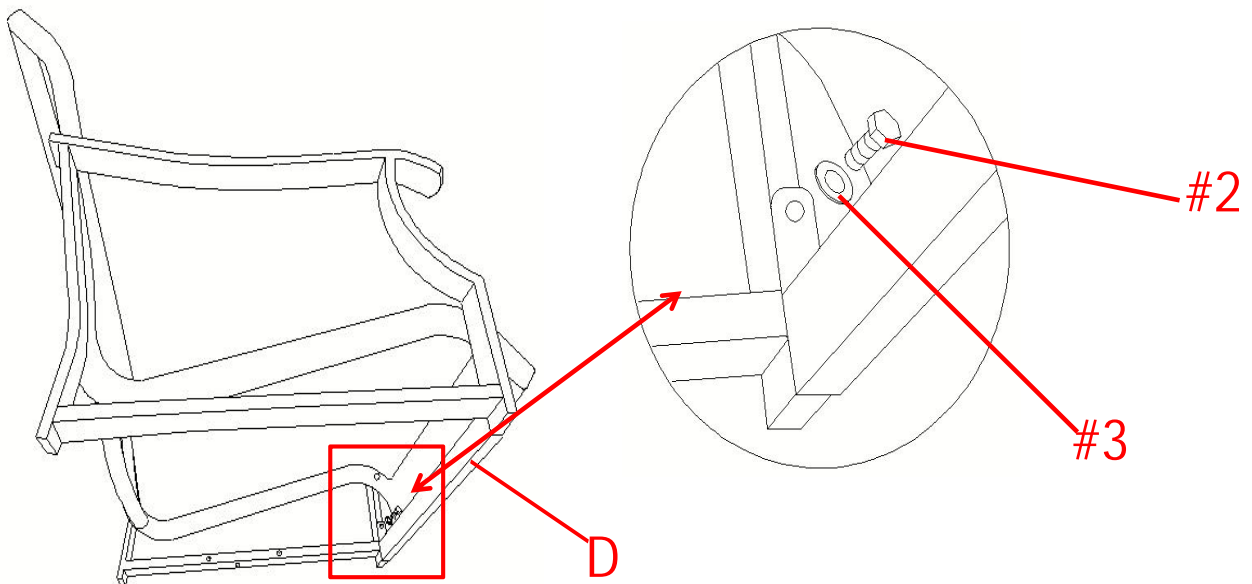
<b>#1</b> 	<b>#2</b> 	<b>#3</b> 	<b>#4</b> 
M6*40mm bolt	M6*15mm bolt	M6 washer	Socket wrench
6PCS	8PCS	14PCS	1PC

# Step1

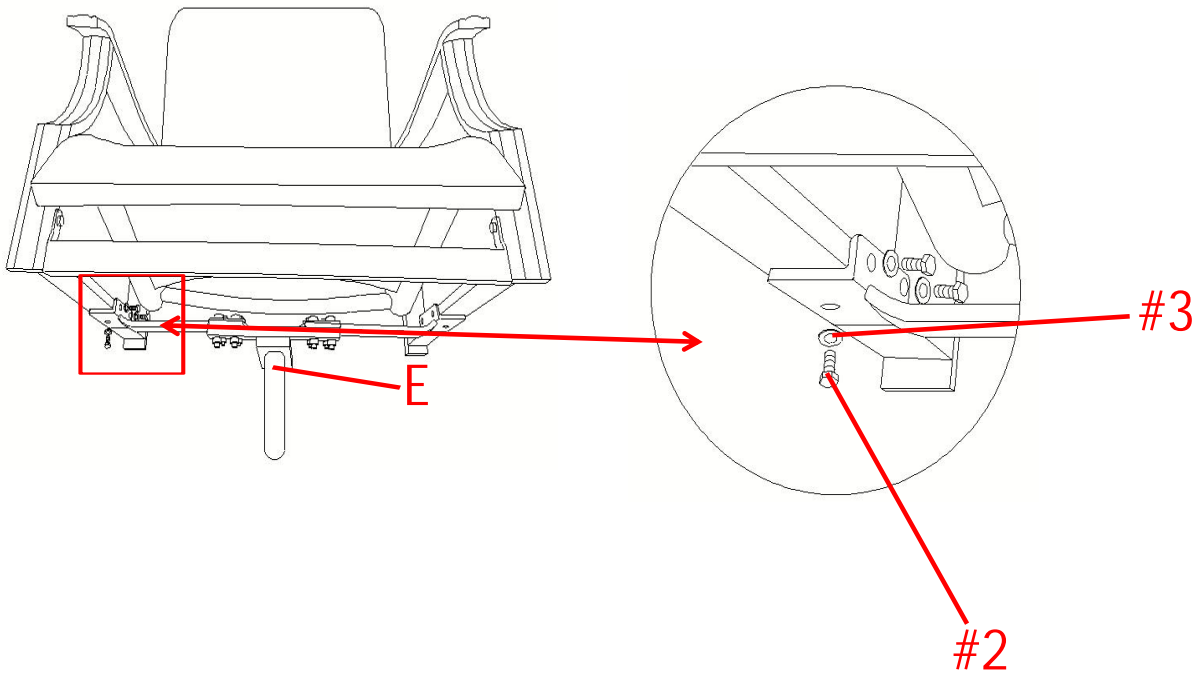


DO NOT TIGHTEN SCREWS  
UNTIL ASSEMBLY IS DONE!

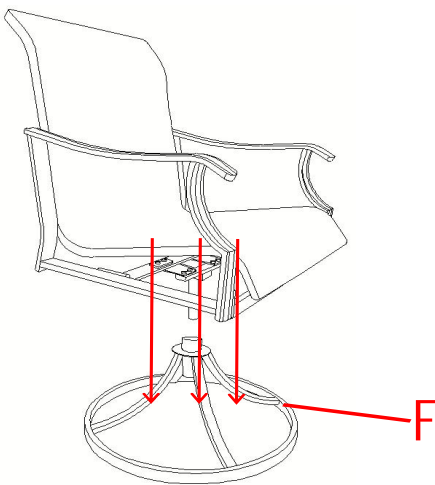
# Step2



### Step3



### Step4



TIGHTEN ALL SCREWS AND INSERT THE SEAT INTO THE BASE